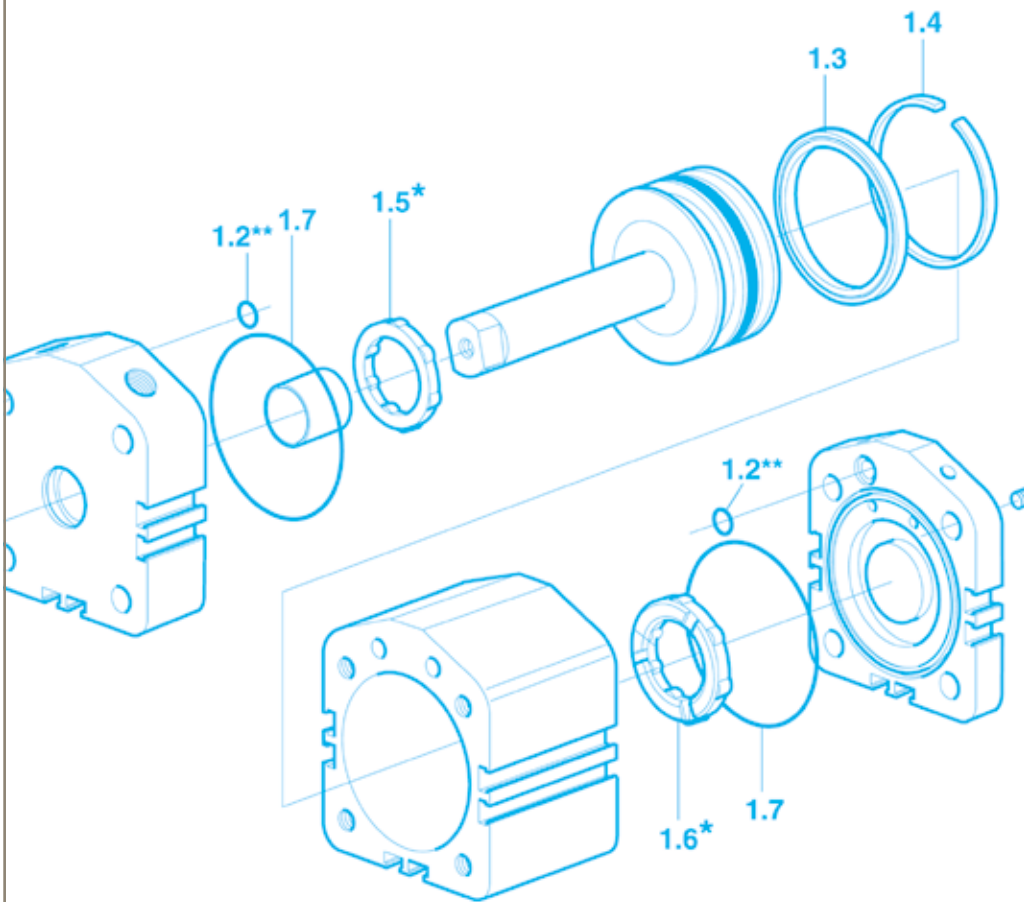




aerospace
climate control
electromechanical
filtration
fluid & gas handling
hydraulics
pneumatics
process control
sealing & shielding



Pneumatic Products Spare Parts

PDE2600SPUK



ENGINEERING YOUR SUCCESS.

Actuators	Page no.
ISO 15552 Cylinders	6 - 7
ISO 15552 Cylinders (Basic Line) - P1D-B	8
ISO 15552 Cylinders (Extreme Line) - P1D-X	9
ISO 15552 Cylinders (Tie Rod line) - P1D-T	10 - 11
ISO and VDMA Cylinders - P1E	12
ISO, VDMA and AFNOR Cylinders - P1C	13
ISO Cylinders - C41	14
Profile Cylinders - P1K	14
ISO 6431 Stainless Steel Cylinders bores 32 to 125 - P1S	15
Compact Cylinders - P1M	16
Thrust Cylinders - C0D / C0P	16
ISO 21287 Compact Cylinders - P1P	17
Compact Cylinders Ø12 - Ø25 - NZ	18
Compact Cylinders Ø32 - Ø100 - NZ	19
Compact Cylinders - SZ	20
B Series Cylinders	21
MB / SB Series Cylinders.....	21
C Series Cylinders	21
A / PA Series Cylinders	21
NFE49-001 and CNOMO 06-07-02 Cylinders - PX	22
Rotary Rack and Pinion Actuators - VRS / VRA	22
Twin Rod Cylinders - RDV	23
ISO 15552 Cylinders - AZ	24 - 25
Twin Rod Cylinders - AZV	26
CT / C2T Cylinders	27
1" Brass Midget Air Cylinders	27
Rodless Magnetic Cylinders - P1Z	27
Rotary Rack and Pinion Actuators - RA	27
Hydrochecks - B181	28
Hydraulic Clamp Cylinders - VB	28
CH Series Cylinders	28
Grippers - P5GC	29
Compact Guided Cylinders - P5T	30
Stainless Steel Air Motors - P1V-S	31 - 33
Robust Air Motors - P1V-M	34 - 35
Air Motors Grey Housing - P1V-A	36
Rotary Vane Actuators - PRO / PRN	37
Rotary Vane Actuators - PV	38
Air Bellows - 9109	39

Actuators	Page no.
Non Repairable	
Short Stroke Cylinders - C05	40
Cartridge Cylinders - P1G	40
ISO 15524 Compact Cylinders - P1Q	40
Compact Cylinders - P1J	40
ISO 6432 Mini Cylinders - P1A-S	40
ISO 6432 Stainless Steel Cylinders bores 10 to 25 - P1S	40
All Round Cylinders R Series bores 10 to 63mm	40
Shock Absorbers - MC-SC	40
Handling Products	
Non Repairable	
Grippers - P5GA	41
Grippers - P5GB	41
Grippers - P5GD	41
Grippers - P5GL	41
Rotating Tables - P5RS	41
Precision Slide Tables - P5SS	41
Spares No Longer Available	
3D Linear Units	42
Grippers - 3H	42
M16 and M25 Short Stroke Units	42
3D Base Rotate Units	42
3D Wrist Rotate Units	42
ISO 6432 Cylinders Ø10 - Ø25 - CXP	42
P5SP Precision Slide Tables	42
3F Carrier Units	42

Control Devices	Page no.
Metal Spool Valves - Viking Xtreme	44
G1/8 and G1/4 Solenoid and Pilot Operated Valves - B Series	45
Manual & Mechanically Operated Valves - B45/53	46
Heavy Duty Poppet Valves	47
Directional Control Valves - VA	47
G1/8 Mini Poppet Valves - M5.....	47
Apollo ISO Valves	48
ISO 5599-1 Valves - Flexflow	49
ISO 5599-1 ISOMAX - DX1 - DX2 - DX3	50
ISO 15407-1 ISOMAX - DX01 - DX02	51
Isys Micro Valves	52
Moduflex Valve System - P2M	53
Interface - PS1	54
Compact Valves - PVL	55
PVL-B10 and PVL-C10 Stackable and Stand-alone Inline Valves	56
G1/8 and G1/4 Ceramic Valves - PVD Everdure	56
Logic Processing	57 - 58
Control and Process Duty - PXB	59
Solenoid Operators - P2E	60
Solenoid Operators - 15mm - P2E	61
Solenoid Operators - 22mm - P2F	62
Solenoid Operators - CNOMO - P2F	63

Air Preparation & Airline Accessories	Page no.
Moduflex FRLs	66
Modular Hi Flow FRLs - 1 inch - P3N	67
Parker Global Air Preparation System	68 - 69
Lite Series Air Preparation System - P3L	70
Lite Air Preparation System - P3X	71
Air Preparation System - P3Y	72
Proportional Pressure Regulators - P3Z	73
High Flow Precision Pressure Regulators	74
Two Hand Control Units - PXP	74



Actuators

P1D ISO Cylinders

Seal kits

- Complete seal kits consisting of:
- Piston seals
- Cushioning seals
- Combined piston rod seal and scraper
- O-rings



P1D Cylinder version, single piston rod, piston made in plastic

Cyl. bore mm	Standard temperature	Standard temperature with scraper / rod seal made in FPM	Standard temperature with HDPE sealing	Standard temperature with dynamic rod lock
32	P1D-6KRN	P1D-6KRV	P1D-6KRD	P1D-6KRNL
40	P1D-6LRN	P1D-6LRV	P1D-6LRD	P1D-6LRNL
50	P1D-6MRN	P1D-6MRV	P1D-6MRD	P1D-6MRNL
63	P1D-6NRN	P1D-6NRV	P1D-6NRD	P1D-6NRNL
80	P1D-6PRN	P1D-6PRV	P1D-6PRD	P1D-6PRNL
100	P1D-6QRN	P1D-6QRV	P1D-6QRD	P1D-6QRNL
125	P1D-6RRN	P1D-6RRV	P1D-6RRD	P1D-6RRNL

P1D Cylinder version, through piston rod, piston made in plastic

Cyl. bore mm	Standard temperature	Standard temperature with scraper / rod seal made in FPM	Standard temperature with HDPE sealing	Standard temperature with dynamic rod lock
32	P1D-6KRNF	On request	On request	On request
40	P1D-6LRNF	On request	On request	On request
50	P1D-6MRNF	On request	On request	On request
63	P1D-6NRNF	On request	On request	On request
80	P1D-6PRNF	On request	On request	On request
100	P1D-6QRNF	On request	On request	On request
125	P1D-6RRNF	On request	On request	On request

As the P1D Series was also available for high (ie MF) and low (ie ML) temperature ranges, hydraulic (ie MJ) version and with metallic scraper (ie QC) options, here with are the part numbers for the maintenance for these cylinders.

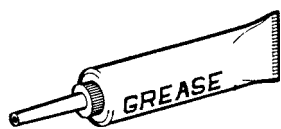
Important: it is not possible to convert a P1D built for standard temperature to a high, low temp or hydraulic version because end caps and piston are not the same.

Note: These options are now available in the P1D-X Series only.

P1D Cylinder version, single piston rod




Cyl. bore mm	Standard temperature with metallic scraper	Low temperature	High temperature	Hydraulic version
32	P1D-6KRQ	P1D-6KRLX	P1D-6KRFX	P1D-6KRHX
40	P1D-6LRQ	P1D-6LRL	P1D-6LRF	P1D-6LRH
50	P1D-6MRQ	P1D-6MRLX	P1D-6MRFX	P1D-6MRHX
63	P1D-6NRQ	P1D-6NRL	P1D-6NRF	P1D-6NRH
80	P1D-6PRQ	P1D-6PRL	P1D-6PRF	P1D-6PRH
100	P1D-6QRQ	P1D-6QRL	P1D-6QRF	P1D-6QRH
125	P1D-6RRQ	P1D-6RRL	P1D-6RRF	P1D-6RRH

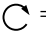

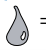
Greases



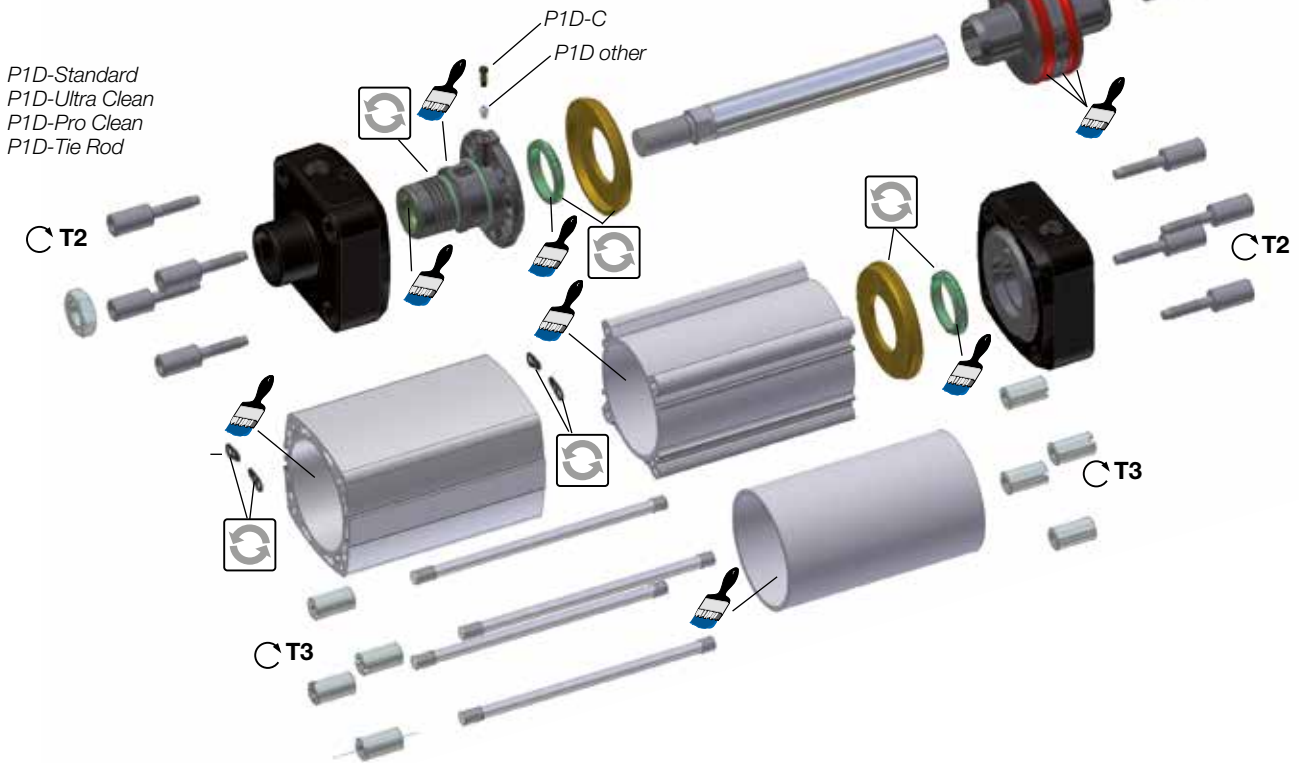
Standard	30g	9127394541
High temperature	30g	9127394521
Low temperature	30g	9127394541

P1D ISO Cylinders







-  = Included in seal kit
-  = Screwdriver head
-  = Insexgrepp

-  = Tightening torque
-  = Lubricated with grease
-  = Locking fluid

Loctite 270 or
Loctite 2701 locking
fluid must be used



P1D-Standard
P1D-Ultra Clean
P1D-Pro Clean
P1D-Tie Rod

Cyl.-dia mm	Plastic piston T1 Nm	Alu. piston T1 Nm	 NV mm	 T2 Nm	 NV mm	 T3 Nm	 NV mm	 NV mm
32	4,5	15	6	8	6	6	6	
40	11	30	8	8	6	6	6	
50	20	40	10	20	8	11	8	
63	20	40	10	20	8	11	8	
80	40	120	14	20	6	20		3x16
100	120	120	14	20	6	20		3x16
125	120	120	14	70	8	40		4x18

P1D-B ISO Cylinders

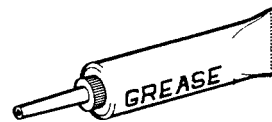
- Complete seal kits consisting of:
- Piston seals
- Cushioning seals
- Piston rod seal
- O-rings
- Piston rod scraper seal



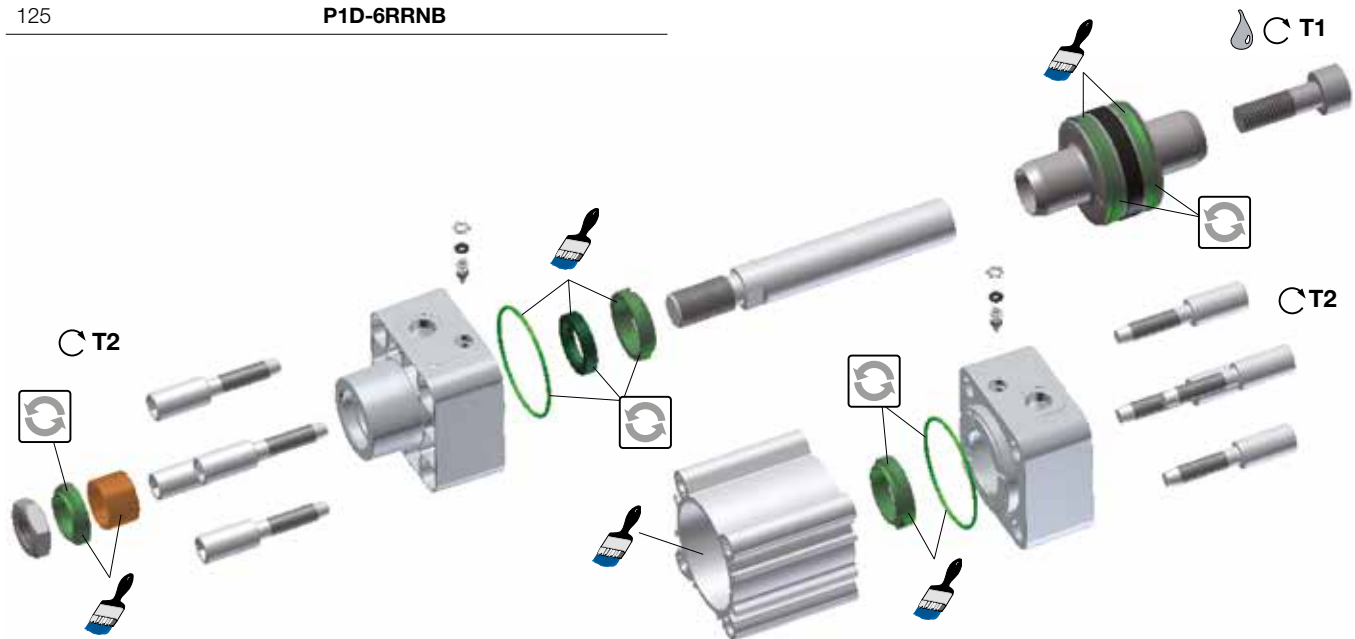
Seal kits

Bore mm	Standard temperature
32	P1D-6KRN
40	P1D-6LRN
50	P1D-6MRN
63	P1D-6NRN
80	P1D-6PRN
100	P1D-6QRN
125	P1D-6RRN

Grease



Standard	30g	9127394541
----------	-----	-------------------



= Included in seal kit

= Lubricated with grease

= Socket head

= Locking fluid

= Tightening torque

Loctite 270 or Loctite 2701 locking fluid must be used

Bore mm	Plastic piston T1 Nm	NV mm	T2 Nm	NV mm
32	4,5	6	8	6
40	11	8	8	6
50	20	10	20	8
63	20	10	20	8
80	40	14	20	6
100	120	14	20	6
125	120	14	70	8

P1D-X ISO Cylinders

- Complete seal kits consisting of:
- Piston seals
- Cushioning seals
- Piston rod seal
- O-rings
- Piston rod scraper seal

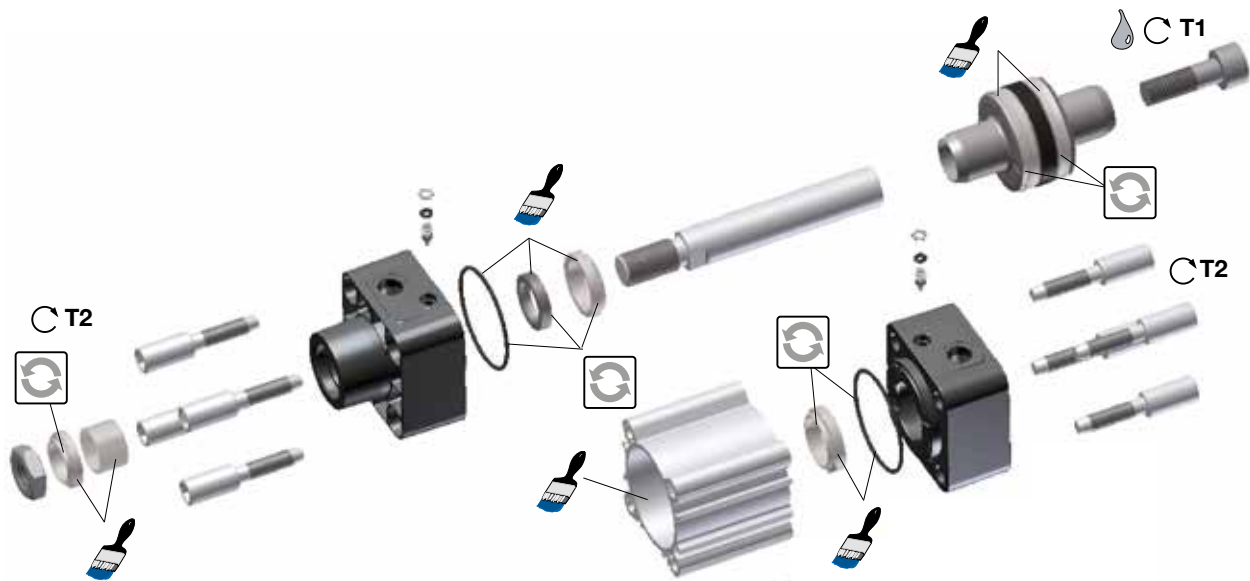


Cyl.bore mm	P1D cylinder version				
	High temp.	Low temp.	Standard temp. Aluminium piston	Metal scraper	Hydraulic version
32	P1D-6KRFX	P1D-6KRLX	P1D-6KRN	P1D-6KRQX	P1D-6KRHX
40	P1D-6LRF	P1D-6LRL	P1D-6LRN	P1D-6LRQX	P1D-6LRH
50	P1D-6MRFX	P1D-6MRLX	P1D-6MRN	P1D-6MRQX	P1D-6MRHX
63	P1D-6NRF	P1D-6NRL	P1D-6NRN	P1D-6NRQX	P1D-6NRH
80	P1D-6PRF	P1D-6PRL	P1D-6PRN	P1D-6PRQX	P1D-6PRH
100	P1D-6QRF	P1D-6QRL	P1D-6QRN	P1D-6QRQX	P1D-6QRH
125	P1D-6RRF	P1D-6RRL	P1D-6RRN	P1D-6RRQX	P1D-6RRH



Standard temperature	30g	9127394541
High temperature	30g	9127394521
Low temperature	30g	9127394541

Seal kits



- = Included in seal kit
 - = Lubricated with grease
 - = Socket head
 - = Locking fluid
 - = Tightening torque
- Loctite 270 or Loctite 2701 locking fluid must be used*

Cyl.- Dia. mm	Aluminium Piston T1 Nm					
		AF mm	T2 Nm	AF mm	NV mm	NV mm
32	15	6	8	6	6	
40	30	8	8	6	6	
50	40	10	20	8	8	
63	40	10	20	8	8	
80	120	14	20	6		3x16
100	120	14	20	6		3x16
125	120	14	70	8		4x18

P1D-T ISO Cylinders

- Complete seal kits consisting of:
- Piston complete
- Cushioning seals
- Piston rod bearing
- Piston rod scraper seal
- Piston rod seal
- O-rings



Seal Kits

Cyl.bore mm	Standard	High Temp. Only for cylinders with PN P1D-Txxx/G...
160	PD23013	P1D-6S/G90010
200	PD25006	P1D-6T/G90011
250	PD25872	P1D-6V/G90012

Grease



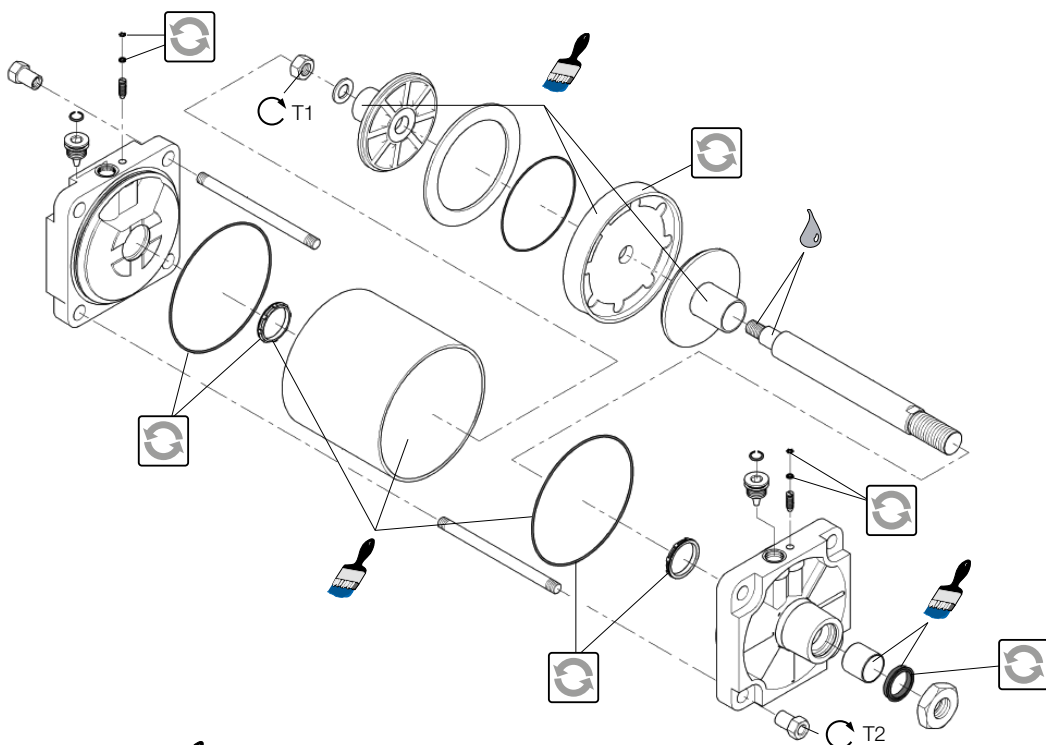
Standard	4g tube	KL8220
High temperature	4g tube	KL8220

Note: High temp seal kits for cylinders with PN P1D-TxxxMF-stroke are no longer available.

P1D-T Optional cylinder versions

Cyl.bore mm	Through rod Standard temperature
160	P1D-6SRNF
200	P1D-6TRNF
250	P1D-6VRNF

Seal kits for bores Ø160 - Ø250 mm



- = Included in seal kit
- = Lubricated with grease
- = Socket head
- = Locking fluid
- = Tightening torque
- = Nut A/F

Loctite LT638 locking fluid must be used

Cyl.-dia mm	Plastic piston T1 Nm	NV mm	T2 Nm	NV mm
160	100	30	85	27
200	100	30	95	27
250	120	36	140	41

P1D-T ISO Cylinders

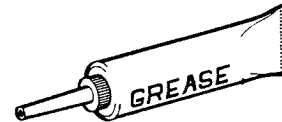
- Complete seal kits consisting of:
- Piston complete
- Cushioning seals
- Piston rod bearing
- Piston rod scraper seal
- Piston rod seal
- O-rings



Seal Kits

Cyl.bore mm	Standard	High Temp.
320	KL7339	KL7340

Grease

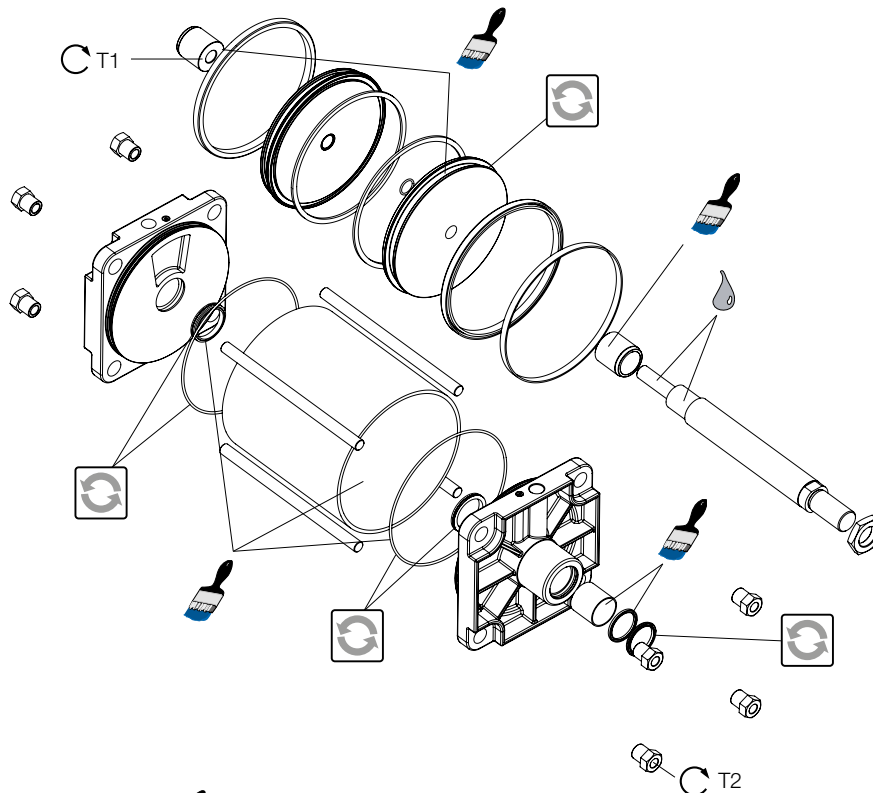


Standard	4g tube	KL8220
High temperature	4g tube	KL8220

P1D-T Optional cylinder versions

Cyl.bore mm	Through rod Standard temperature
320	P1D-6WRNF

Seal kits for bore Ø320 mm






- = Included in seal kit
- = Lubricated with grease
- = Socket head
- = Locking fluid
- = Tightening torque
- = Nut A/F

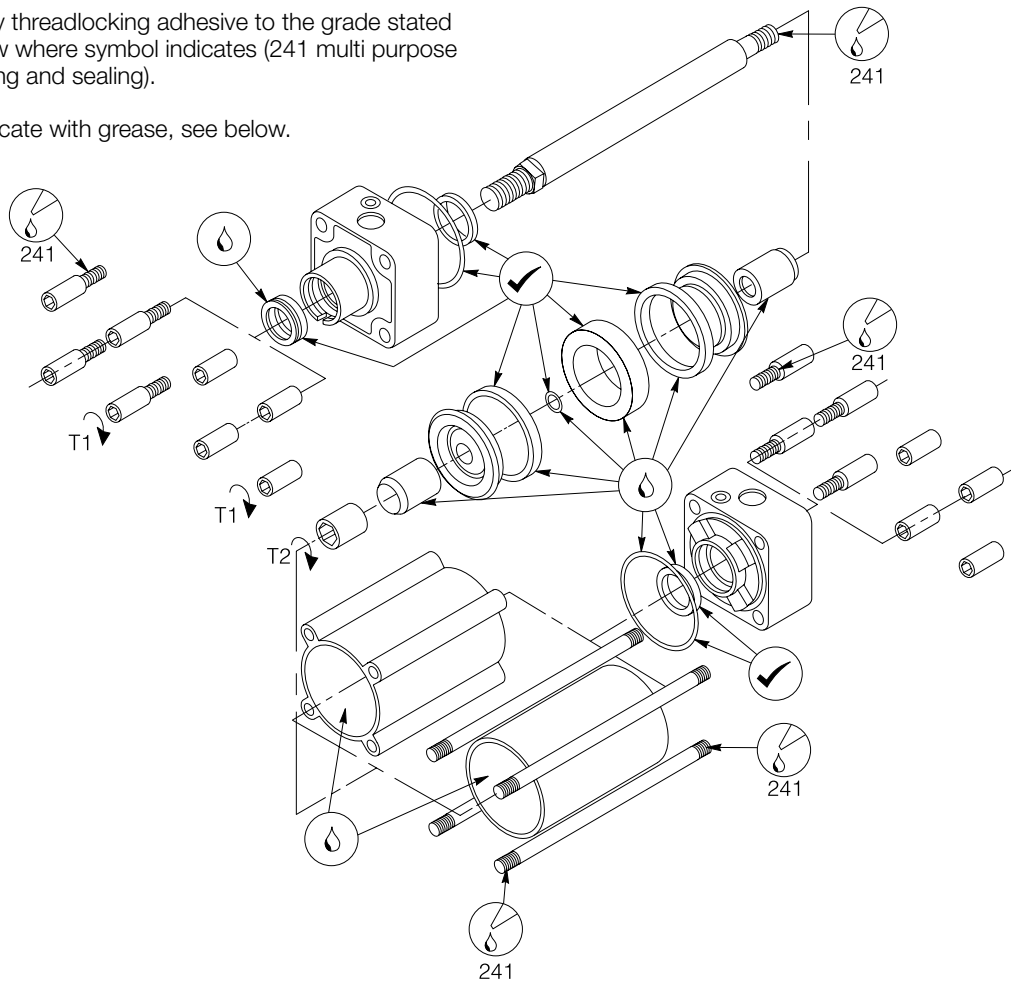
Bore mm	Piston T1 Nm	NV mm	T2 Nm	NV mm
320	250	30	200	41

Loctite LT638 locking fluid must be used

P1E ISO Cylinders

Repair kits

-  = Included in repair kit
-  = Apply threadlocking adhesive to the grade stated below where symbol indicates (241 multi purpose locking and sealing).
-  = Lubricate with grease, see below.



Bore mm	T1 Nm	NV	T2 Nm	NV
32	4-5	6	9-10	5
40	4-5	6	9-10	6
50	9-10	8	28-30	12
63	9-10	8	28-30	12
80	18-20	10	80-85	12
100	18-20	10	80-85	12
125	24-26	24	115-125	30
160	36-38	30	163-177	22
200	36-38	30	163-177	22

Bore mm	Seal kits	
	Standard	High temperature
32	P1E-6KRM	P1E-6KRV
40	P1E-6LRM	P1E-6LRV
50	P1E-6MRM	P1E-6MRV
63	P1E-6NRM	P1E-6NRV
80	P1E-6PRM	P1E-6PRV
100	P1E-6QRM	P1E-6QRV
125	P1E-6RRM	P1E-6RRV
160	P1E-6SRM	P1E-6SRV
200	P1E-6TRM	P1E-6TRV

Grease



Standard	30g	9127394541
High temperature	30g	9127394521
Low temperature	30g	9127394541

P1C Cylinders

Seal kits

- Complete seal kits consisting of:
- Scraper ring
- Piston rod bearing
- Piston rod seal
- Piston bearing
- Piston seals
- Cushioning rings
- O-rings



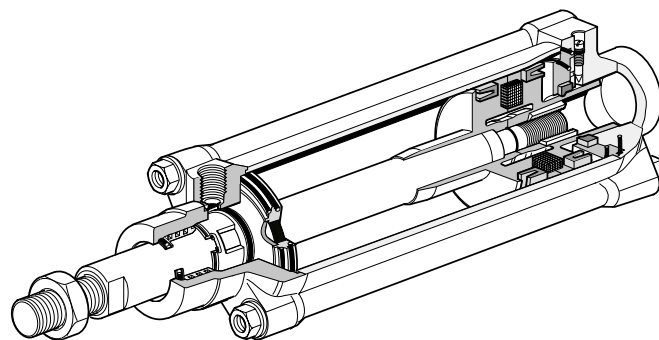
Bore mm	Option			
	Standard	High Temp	Low Temp	Hydraulic
32	9121715901	9121715931	9121715921	9121715961
40	9121715902	9121715932	9121715922	9121715962
50	9121715903	9121715933	9121715923	9121715963
63	9121715904	9121715934	9121715924	9121715964
80	9121715905	9121715935	9121715925	9121715965
100	9121715906	9121715936	9121715926	9121715966
125	9121715907	9121715937	9121715927	9121715967

Bore mm	Option	
	Thru Rod Standard	Rod Locking Standard
32	9121715952	9121715941
40	9121715953	9121715942
50	9121715954	9121715943
63	9121715955	9121715944
80	9121715956	9121715945
100	9121715957	9121715946
125	9121715958	9121715947

Grease



Standard	30 g	9127394541
High temperature	30 g	9127394521
Low temperature	30 g	9127394531



C41 Cylinders

Seal kits

Bore mm	Standard	High temp	Hydraulic	Thru rod
32	9121565201	9122298611	9123981801	9121565251
40	9121565202	9122298612	9123981802	9121565252
50	9121565203	9122298613	9123981803	9121565253
63	9121565204	9122298614	9123981804	9121565254
80	9121565205	9122298615	9123981805	9121565255
100	9121565206	9122298616	9123981806	9121565256
125	9121565207	9122298617	9123981807	9121565257
160	9121565208	9122298618		9121565258
200	9121565209	9122298619		9121565259



The seal kit you should use depends on the letter used for "Piston rod and sealing material" in the cylinder ordering key, this is digit number 10 in the standard ordering key or position 6 in the special version ordering key. Seal kit for through rod locking is for standard temperature only and should be used when you have a cylinder with through rod (F in position 9 for standard ordering key or position 5 in special ordering key).

Example

Standard ordering key	C41-S032MC-0200	(position 10)
Order key, special versions	41CKMC200C15000	(position 6)

Letter	Seal Kit
Position 10	
S, C, M or R	Standard
F, G, N or D	High temp
L, K, P or E	Low temp
J or Z	Hydraulic
Position 9 when position 10 S, C, M or R	
F	Thru rod

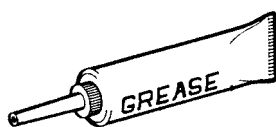
P1K Cylinders

Seal kits

Bore mm	Option			
	Standard	High Temp.	Low Temp.	Hydraulic
32	9122352088	9122421921	P1K-6032PL	9122421931
40	9122352089	9122421922	P1K-6040PL	9122421932
50	9122352090	9122421923	P1K-6050PL	9122421933
63	9122352091	9122421924	P1K-6063PL	9122421934
80	9122352092	9122421925	P1K-6080PL	9122421935
100	9122352093	9122421926	P1K-6100PL	9122421936
125	9122352100	-	-	9122421937

* Please contact customer service.

Grease



Standard	30g	9127394541
High temperature	30g	9127394521
Low temperature	30g	9127394541

P1S Cylinders

Seal kits

- Complete seal kits consisting of:
- Piston seals
- Cushioning seals
- Piston rod bearing
- Piston rod seal
- Scraper ring
- O-rings

Standard temperature versions

Bore mm	Cylinder designation	Order code
32	P1S-•032MS	9121659195
40	P1S-•040MS	9121659196
50	P1S-•050MS	9121659197
63	P1S-•063MS	9121659198
80	P1S-•080MS	9121718905
100	P1S-•100MS	9121718906
125	P1S-•125MS	9121718907

High temperature versions

Bore mm	Cylinder designation	Order code
32	P1S-•032MF	9121720595
40	P1S-•040MF	9121720596
50	P1S-•050MF	9121720597
63	P1S-•063MF	9121720598
80	P1S-•080MF	9121718925
100	P1S-•100MF	9121718926
125	P1S-•125MF	9121718927

Low temperature versions

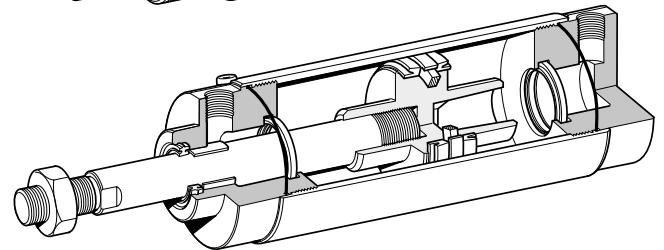
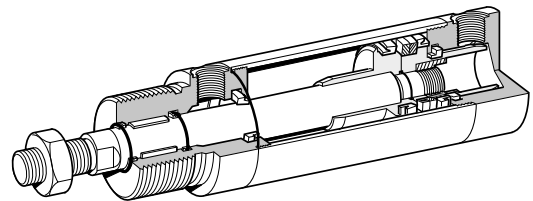
Bore mm	Cylinder designation	Order code
80	P1S-•080ML	9121718935
100	P1S-•100ML	9121718936
125	P1S-•125ML	9121718937

Standard temperature with Through rod

Bore mm	Cylinder designation	Order code
80	P1S-•080FS	9121718955
100	P1S-•100FS	9121718956
125	P1S-•125FS	9121718957

Standard temperature with stainless steel scraper ring

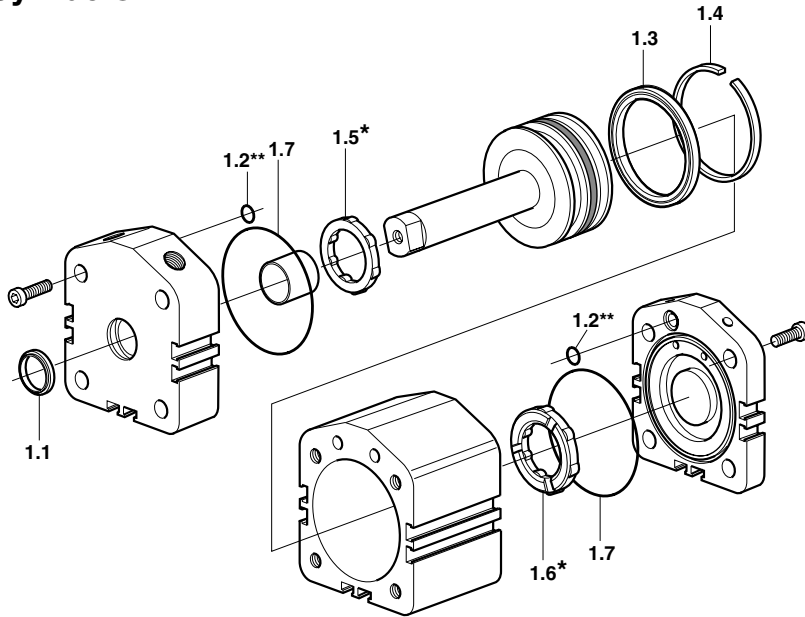
Bore mm	Cylinder designation	Order code
80	P1S-•080MQ	9121718915
100	P1S-•100MQ	9121718916
125	P1S-•125MQ	9121718917



Grease

Version	Weight	Order code
Standard and Low temperature	30 g	9127394541
High temperature	30 g	9127394521

P1M Cylinders



Seal kits

No	Qty	Part
1.1	1	Scraper ring/Piston rod seal
1.2	2	O-ring
1.3	1	Piston seals
1.4	1	Piston bearing
1.5	1	Front end bumper
1.6	1	Rear end bumper
1.7	2	O-ring

* Bumpers 1.5 and 1.6 not valid for high-temperature version, type G.

** Quantity and design vary, depending on the cylinder variant and model.

Seal kits

Bore mm	Option	
	Standard	High Temp
12	Obsolete	Obsolete
16	Obsolete	Obsolete
20	P1M-6HRN	Obsolete
25	P1M-6JRN	Obsolete
32	P1M-6KRN	Obsolete
40	P1M-6LRN	Obsolete
50	P1M-6MRN	Obsolete
63	P1M-6NRN	Obsolete
80	P1M-6PRN	Obsolete
100	P1M-6QRN	Obsolete

Grease

Weight g	Option	
	Standard	High Temp
30	9127394541	9127394521

COD - COP Cylinders

Seal kits

Description	Order code
COD300-40/-40S	9121655401
COD600-50/-50S	9121655501
COD1200-50/-50S	9121655601
COP160-50S/-80S	9121655101
COP300-50S/-80S	9121655201
COP2500-60/-80	9121655301
COP2500-60S/-100S	9121655302

Grease

Weight	Order code
30 g	9127394541



P1P Compact ISO Cylinders

Complete seal kits consist of:

- Piston (complete)
- Piston rod seal
- O rings



Seal kits

Bore mm	P1P cylinder version		
	Std temp	High temp	Low temp
20	P1P-6HRN	P1P-6HRF	P1P-6HRL
25	P1P-6JRN	P1P-6JRF	P1P-6JRL
32	P1P-6KRN	P1P-6KRF	P1P-6KRL
40	P1P-6LRN	P1P-6LRF	P1P-6LRL
50	P1P-6MRN	P1P-6MRF	P1P-6MRL
63	P1P-6NRN	P1P-6NRF	P1P-6NRL
80	P1P-6PRN	P1P-6PRF	P1P-6PRL
100	P1P-6QRN	P1P-6QRF	P1P-6QRL

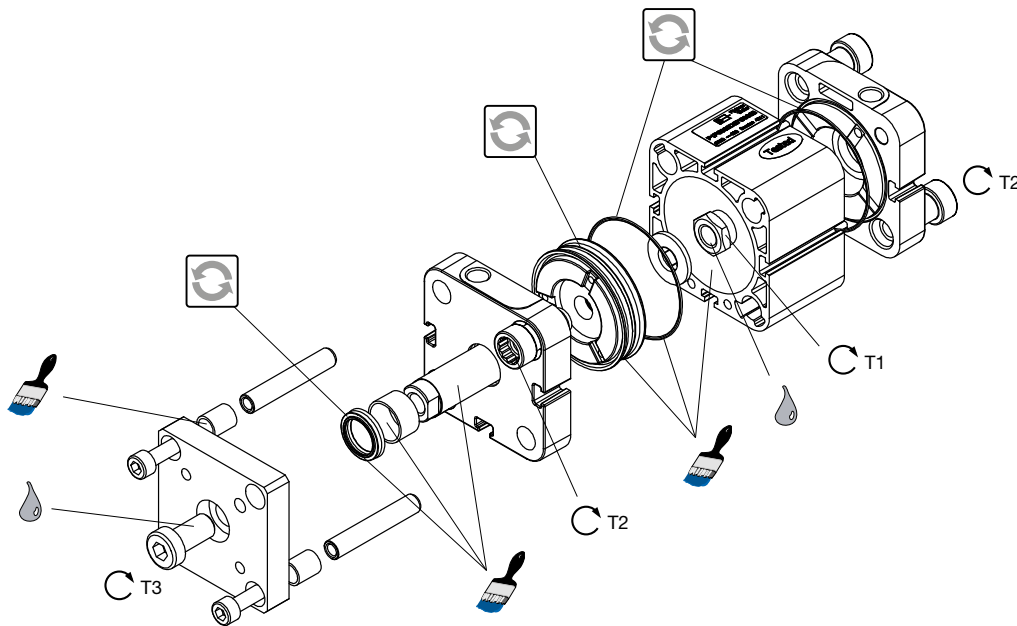
Grease



Standard temperature	30g	9127394541
High temperature	30g	9127394521
Low temperature	30g	9127394541

For through rods variants, order two seal kits.

Example: For a P1PS...KS Ø63 through rod, standard temperature version, order 2 x **P1P-6NRN**



= Included in seal kit

= Lubricated with grease

= Socket head

= Locking fluid

= Tightening torque

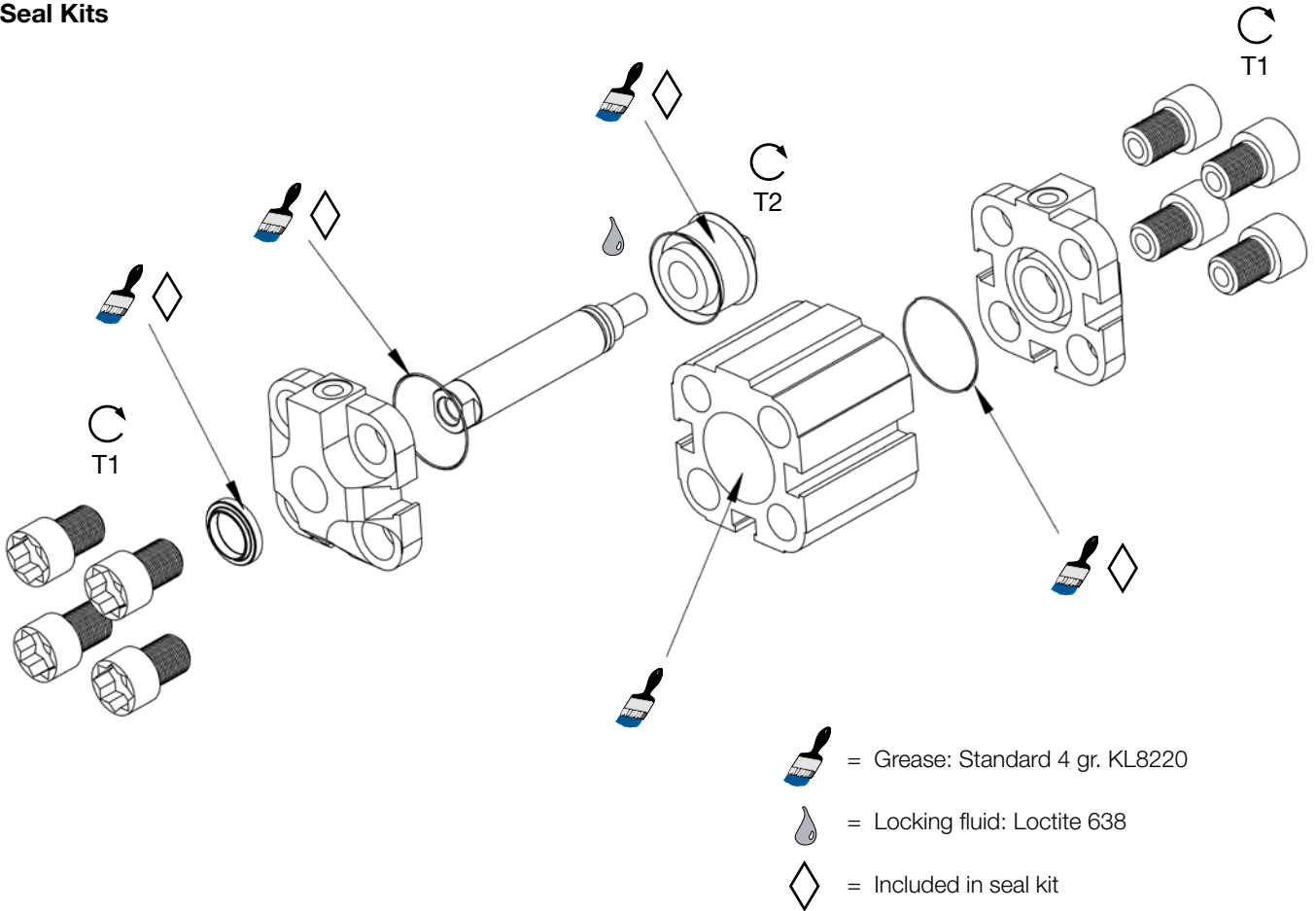
*Loctite 243 must be used for standard and low temperature versions.
Loctite 270 must be used for high temperature versions*

Bore mm	Plastic piston T1 Nm	AF mm	T2 Nm	AF mm	T3 Nm	AF mm
20	3,5	8	14	7	8	4
25	3,5	8	14	7	8	4
32	8	10	20	7	20	5
40	12	13	20	7	20	5
50	20	17	40	10	40	7
63	20	17	40	10	40	7
80	35	19	14	5	70	8
100	80	24	28	6	70	8

NZ Cylinders Ø12 - Ø25



Seal Kits



Cyl. Ø	T1		T2	
12	10 Nm	6	3 Nm	5
16	10 Nm	6	3 Nm	7
20	12 Nm	8	5,5 Nm	8
25	12 Nm	8	5,5 Nm	8

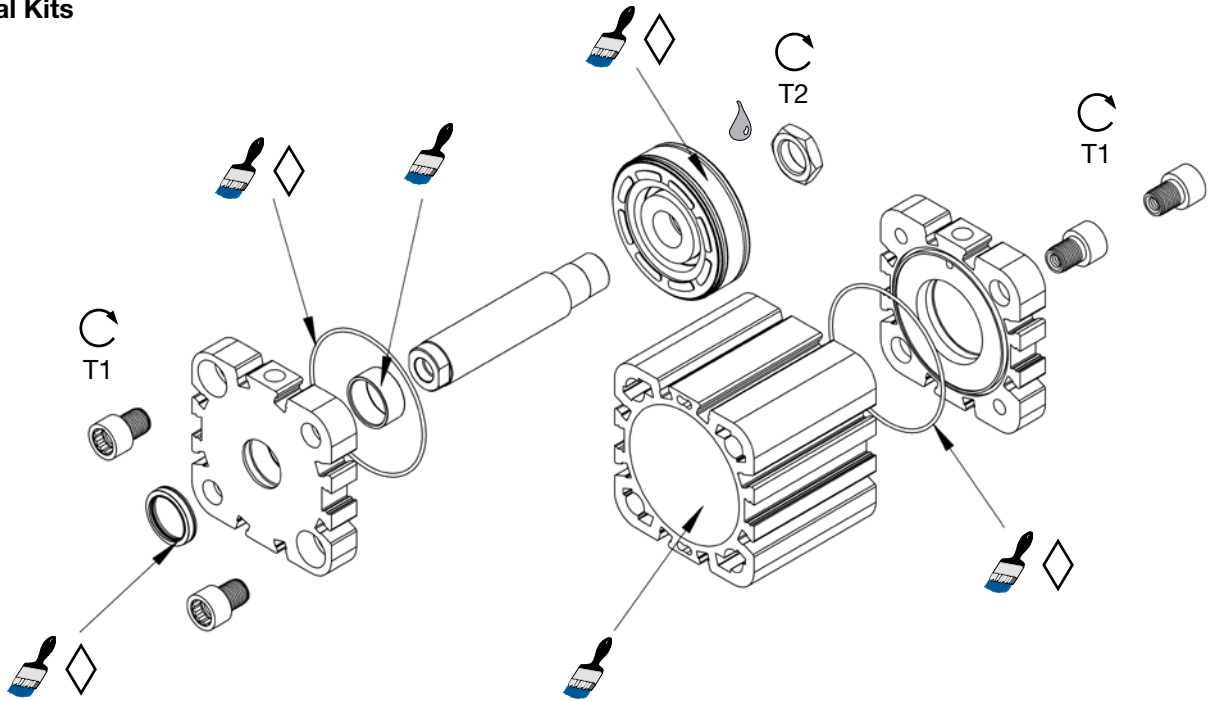
Seal kit order codes




Cyl. Ø	Standard NZ
32	PD48301
40	PD48302
50	PD48303
63	PD48304

NZ Cylinders Ø32 - Ø100


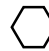

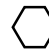


Seal Kits



-  = Grease: Standard 4 gr. KL8220
-  = Locking fluid: Loctite 638
-  = Included in seal kit

Seal kit order codes

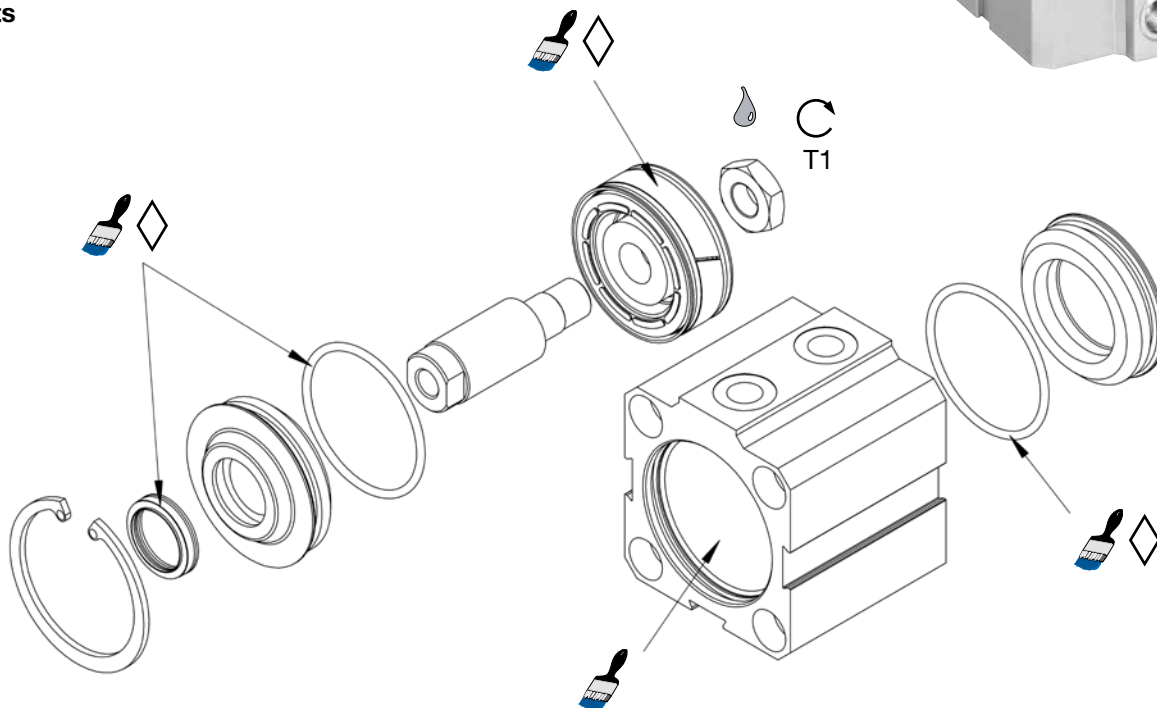
Cyl. Ø	T1 		T2 	
32	13 ± 1 Nm	10	10 ± 2 Nm	13
40	13 ± 1 Nm	10	10 ± 2 Nm	17
50	22 ± 1 Nm	10	10 ± 2 Nm	19
63	22 ± 1 Nm	10	10 ± 2 Nm	24
80	15 ± 1 Nm	5	10 ± 2 Nm	24
100	15 ± 1 Nm	5	10 ± 2 Nm	24




Cyl. Ø	Standard NZ / NZD	High temp. NZ / NZD
32	PD41478 / PD42095	PD49113 / PD49119
40	PD41479 / PD42096	PD49114 / PD49120
50	PD41480 / PD42097	PD49115 / PD49121
63	PD41481 / PD42098	PD49116 / PD49122
80	PD41482 / PD42099	PD49117 / PD49123
100	PD41483 / PD42100	PD49118 / PD49124

SZ Cylinders





Seal Kits



-  = Grease: Standard 4 gr. KL8220
-  = Locking fluid: Loctite 638
-  = Included in seal kit

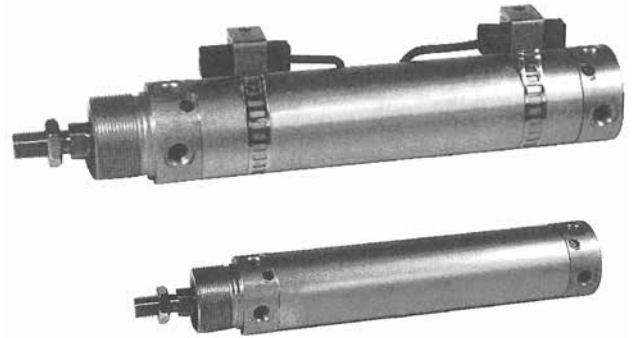
Seal kit order codes

Cyl. Ø	T1 	
12	7,5 ± 1 Nm	-
16	7,5 ± 1 Nm	6
20	10 ± 2 Nm	8
25	10 ± 2 Nm	10
32	10 ± 2 Nm	13
40	10 ± 2 Nm	16
50	10 ± 2 Nm	18
63	10 ± 2 Nm	24
80	10 ± 2 Nm	24
100	10 ± 2 Nm	24

Cyl. Ø	SZ / SZV	SZD
12	PD35419	-
16	PD35420	-
20	PD35421	-
25	PD35422	-
32	PD43996	PD44008
40	PD43997	PD44009
50	PD43998	PD44010
63	PD43999	PD44011
80	PD44000	PD44012
100	PD44001	PD44013

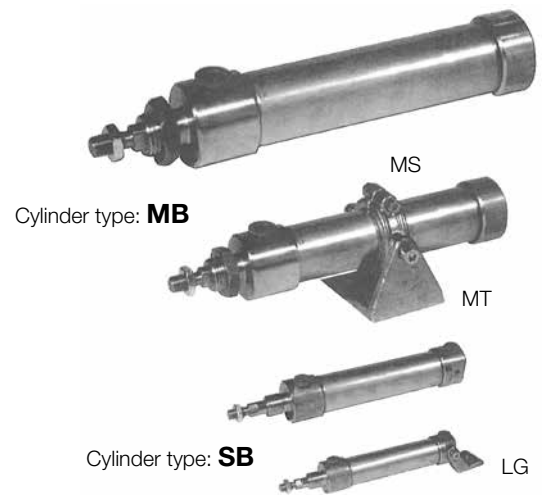
B Series

Bore size (mm)	Order code Standard temperature
32	6360075
40	6360085
50	6360115
63	Obsolete



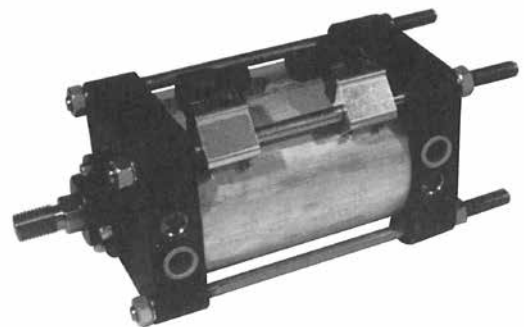
MB / SB Series

Bore size (mm)	Order code Standard temperature	Order code High temperature (AV)
19	6360020	Obsolete
25	6360040	Obsolete



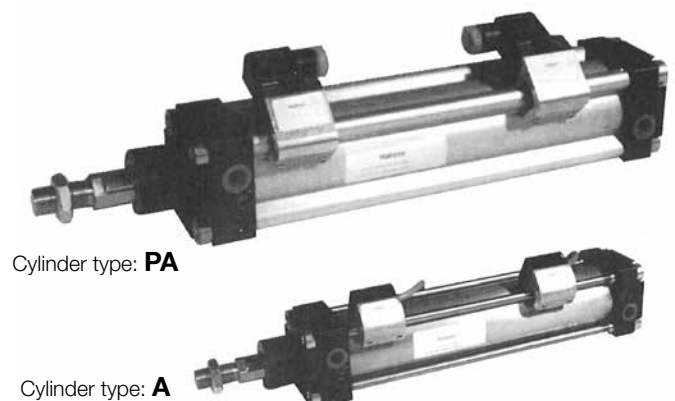
C Series

Bore size (mm)	Order code Standard temperature	Order code Oversized Piston (VK)	Order code High temperature (AV)
125	6360200	6360202	6360204
150	6360220	6360222	6360224
200	6360240	6360242	N/A
250	6360250	6360252	N/A
300	6360280	Obsolete	N/A



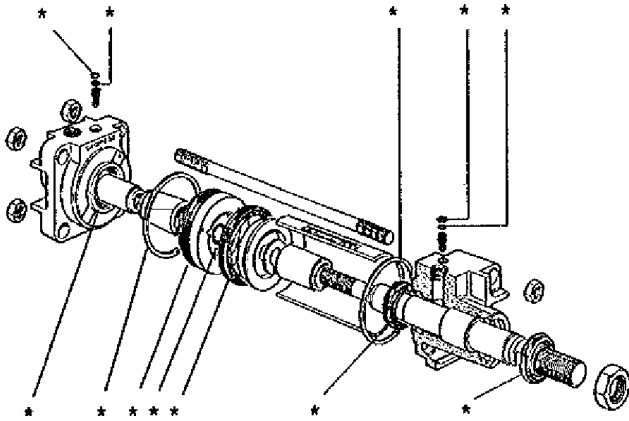
A / PA Series

Bore size (mm)	Order code Standard temperature	Order code High temperature (AV)
32	2209001	6360074
40	2209004	Obsolete
50	2209007	6360114
63	2209010	6360134
80	2209013	6360174
100	2209016	6360194



PX CNOMO Cylinders

Seals kits



Components marked (*) are part of the bellow repair kits

Ø mm	Standard temperature range
25	JJ025A02
32	JJ032A02
40	JJ040A02
50	JJ050A02
63	JJ063A02
80	JJ080A02
100	JJ100A02
125	JJ125A02

Assembly nutted stud and mountings tightening torque (Nm)

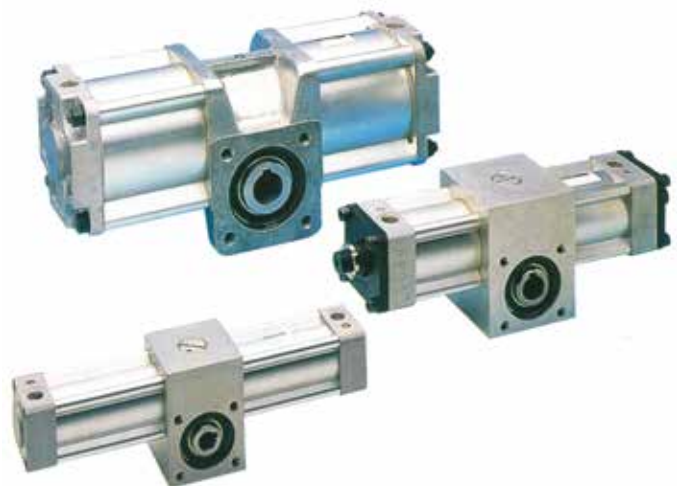
Ø mm	Std. body		Steel body		Epoxy body	
	Stroke	Torque	Stroke	Torque	Stroke	Torque
25	0-800	5	801-1200	2		
32	0-900	5	901-2000	2	0-400	2,5
40	0-1100	5	1101-2000	3	0-600	3,5
50	0-1200	10	1201-2000	6	0-700	6,0
63	0-1200	12	1201-2000	8	0-700	9,0
80	0-1400	20	1401-2000	14	0-700	12,0
100	0-1400	24	1401-2000	20	0-900	13,0
125	0-1500	35	1501-2000	30	0-1000	17,0

Note: Nutted studs and mounting nuts should be progressively tightened diagonally opposite until indicated torque values are reached

VR Torque Units

Seal kits

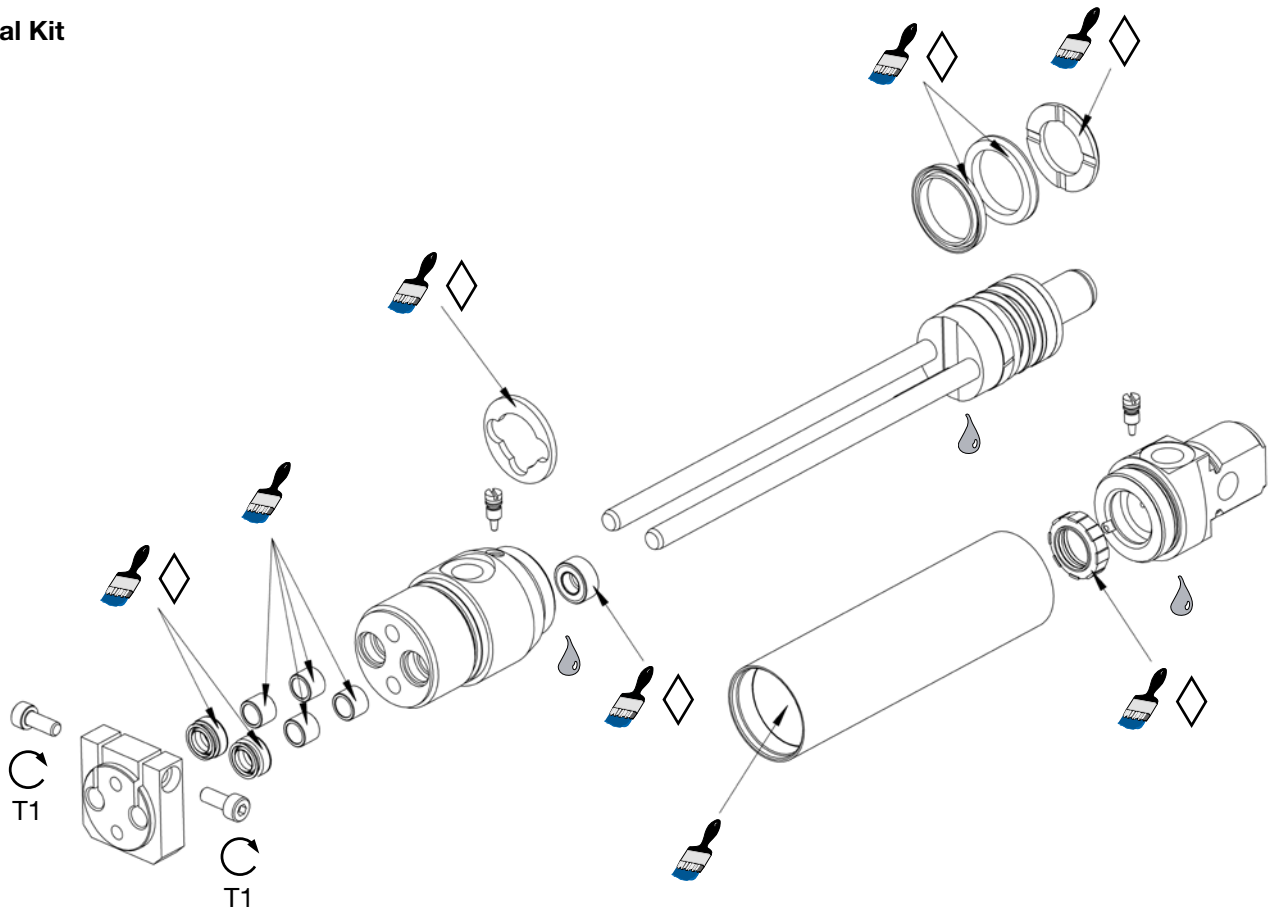
Ø bore (mm)	VRS / VRSM Cylinders	VRA / VRAM Cylinders
32	JJVR032	JJVRA032
40	JJVR040	JJVRA040
50	JJVR050	JJVRA050
63	JJVR063	JJVRA063
80	JJVR080	JJVRA080
100	JJVR100	
125	JJVR125	






RDV Cylinders - Ø25



Seal Kit



-  = Grease: Standard 4 gr. KL8220
-  = Locking fluid: Loctite 638
-  = Included in seal kit

Seal kit order code

PD29168

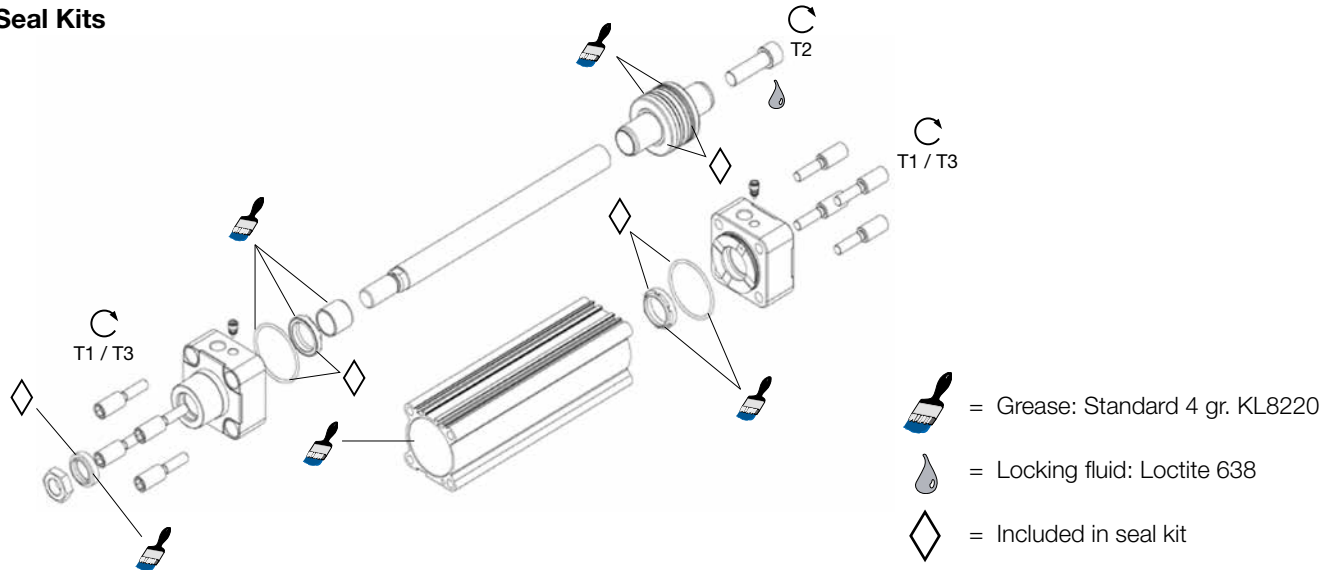
T1		
3 - 4 Nm		3




AZ Cylinders

Only for cylinders with item numbers beginning A
 e.g. A15L0025/000AAAAA000A0000



Seal Kits


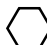



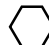



-  = Grease: Standard 4 gr. KL8220
-  = Locking fluid: Loctite 638
-  = Included in seal kit

Seal kit order codes

Cyl. Ø	AZ5000 / AZD5000 / AZZ5000		AZ...A	AZ...AD	AZ...AH	AZ...AHD
	Standard	Viton	with metal scraper	with metal scraper and through rod	with metal scraper, hydraulic version	with metal scraper, hydraulic version and through rod
32	KL7222	KL7223	PD49101	PD49102	PD49089	PD49090
40	KL7224	KL7225	PD49103	PD49104	PD49091	PD49092
50	KL7226	KL7227	PD49105	PD49106	PD49093	PD49094
63	KL7228	KL7229	PD49107	PD49108	PD49095	PD49096
80	KL7230	KL7231	PD49109	PD49111	PD49097	PD49098
100	KL7232	KL7233	PD49111	PD49112	PD49099	PD49100

ISO Cylinder

Cyl. Ø	T1 		T2 		T3 	
32	10 - 12 Nm	6	5 - 6 Nm	5	4 - 5 Nm	6
40	10 - 12 Nm	6	12 - 14 Nm	6	4 - 5 Nm	6
50	16 - 20 Nm	8	16 - 18 Nm	10	9 - 10 Nm	8
63	16 - 20 Nm	8	16 - 18 Nm	10	9 - 10 Nm	8
80	26 - 32 Nm	10	20 - 23 Nm	12	18 - 20 Nm	10
100	26 - 32 Nm	10	20 - 23 Nm	12	18 - 20 Nm	10

T3  = torque tie rod cylinder

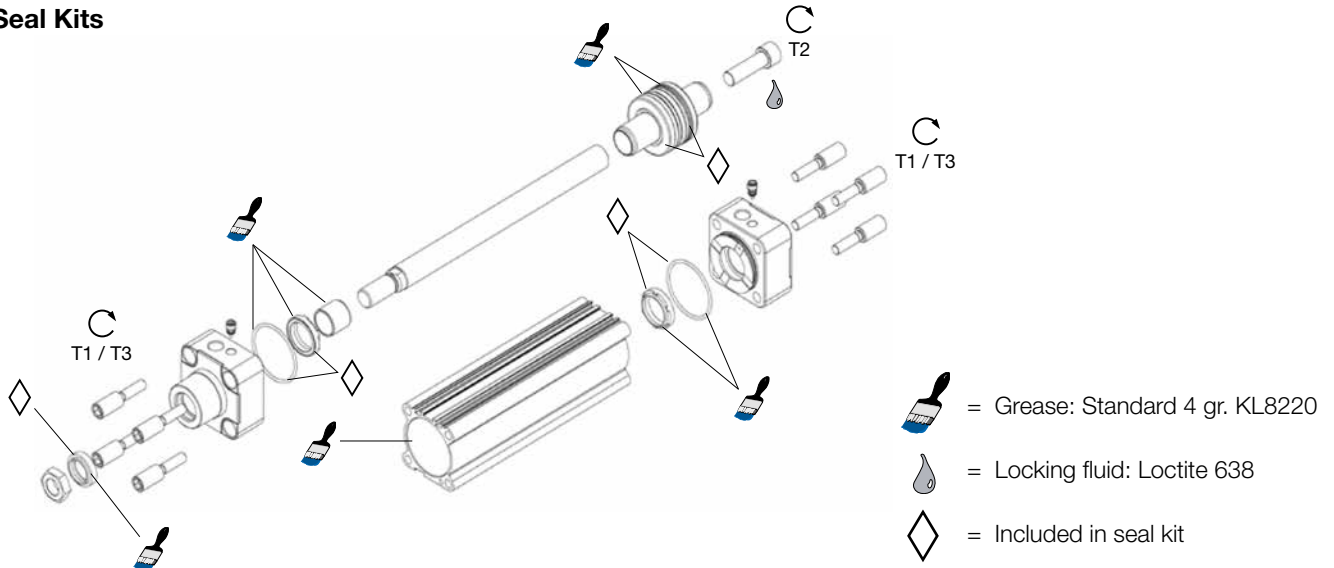
 = across flats tie rod cylinder




AZ Cylinders

Only for cylinders with item numbers beginning PA
e.g. PA61240-0125



Seal Kits


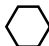

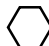

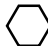


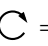
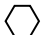
-  = Grease: Standard 4 gr. KL8220
-  = Locking fluid: Loctite 638
-  = Included in seal kit

Seal kit order codes

Cyl. Ø	AZ5000 / AZD5000 / AZZ6000 Standard	AZ1000 Viton	AZ...A with metal scraper	AZ...D with through rod	AZ...H hydraulic version
32	PD39169	PD39499	PD41012	PD39381	PD39505
40	PD39170	PD39500	PD41013	PD39382	PD39506
50	PD39171	PD39501	PD41014	PD39383	PD39507
63	PD39172	PD39502	PD41015	PD39384	PD39508
80	PD39173	PD39503	PD41016	PD39385	PD39509
100	PD39174	PD39504	PD41017	PD39386	PD39510

ISO Cylinder

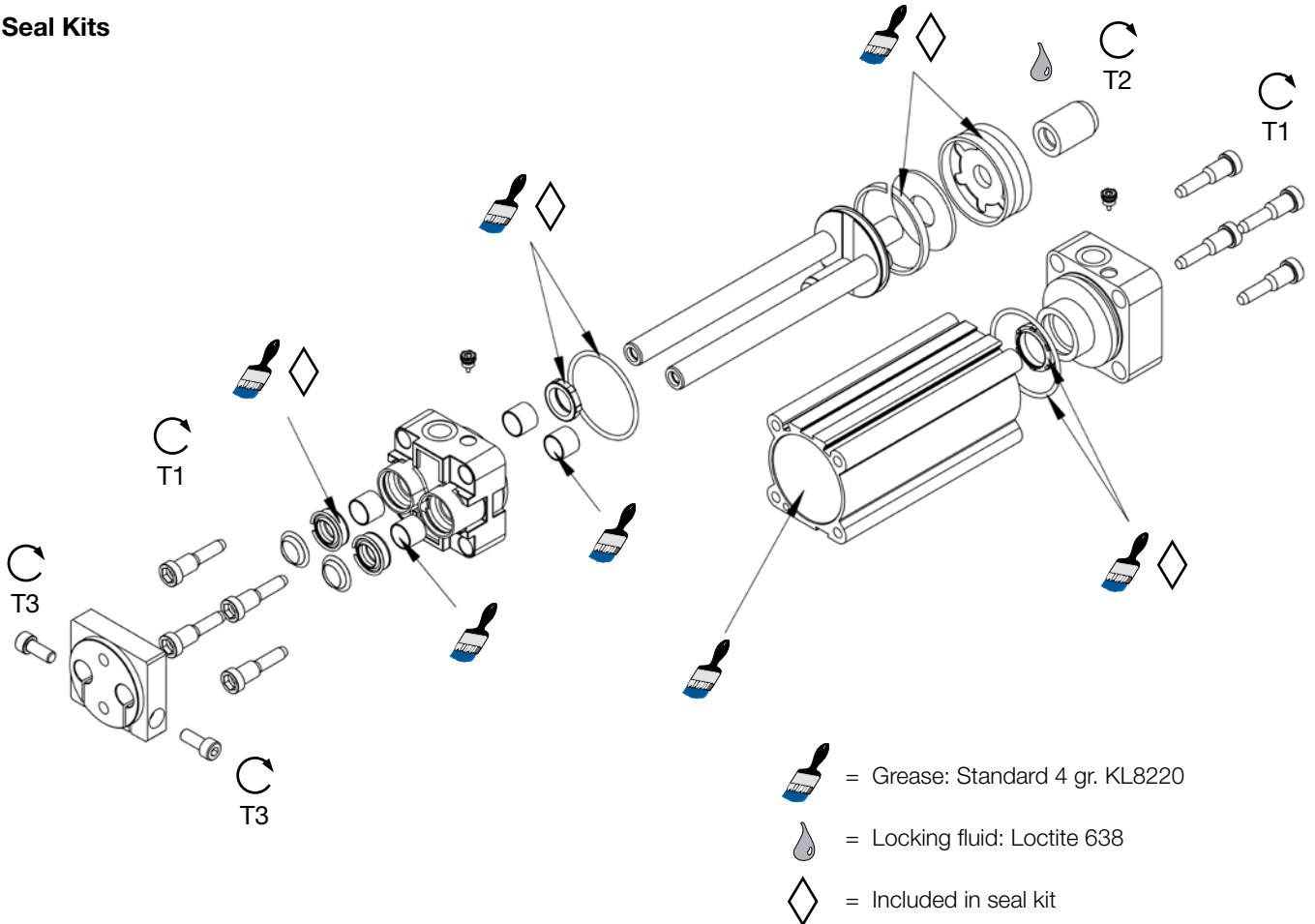
Cyl. Ø	T1 		T2 		T3 	
32	10 - 12 Nm	6	5 - 6 Nm	5	4 - 5 Nm	6
40	10 - 12 Nm	6	12 - 14 Nm	6	4 - 5 Nm	6
50	16 - 20 Nm	8	16 - 18 Nm	10	9 - 10 Nm	8
63	16 - 20 Nm	8	16 - 18 Nm	10	9 - 10 Nm	8
80	26 - 32 Nm	10	20 - 23 Nm	12	18 - 20 Nm	10
100	26 - 32 Nm	10	20 - 23 Nm	12	18 - 20 Nm	10

- T3  = torque tie rod cylinder
-  = across flats tie rod cylinder

AZV Cylinders



Seal Kits



ISO Cylinder

Cyl. Ø	T1		T2		T3	
32	10 - 12 Nm	6	5 - 6 Nm	5	5,5 ± 0,8 Nm	4
40	10 - 12 Nm	6	12 - 14 Nm	6	5,5 ± 0,8 Nm	4
50	16 - 20 Nm	8	16 - 18 Nm	10	10 ± 1,5 Nm	5
63	16 - 20 Nm	8	16 - 18 Nm	10	20 ± 3 Nm	6
80	26 - 32 Nm	10	20 - 23 Nm	12	20 ± 3 Nm	6
100	26 - 32 Nm	10	20 - 23 Nm	12	20 ± 3 Nm	6

Seal kit order codes

Cyl. Ø	Standard	Viton
32	PD23003	PD25555
40	PD23004	PD25556
50	PD23005	PD25557
63	PD23006	PD25558
80	PD23007	PD25031
100	PD23008	PD25030

CT/C2T Cylinders

Seal kits

Ø bore (mm)	Standard temperature	High temperature	Standard temperature through rod	High temperature through rod
32	CTSK032	CTSK032V	CTSK032 + CTSKF032	N/A
40	CTSK040	N/A	N/A	N/A
50	CTSK050	N/A	N/A	N/A
63	CTSK063	CTSK063V	N/A	N/A
80	CTSK080	CTSK080V	N/A	N/A
100	CTSK100	CTSK100V	N/A	N/A



1" Brass Cylinders

Seal kits

Kits are available for all cylinder sizes, comprising a complete set of seals. To order specify part number shown in chart.

Cylinder Number	Order code
40400	40400R
40410	40400R
41400	41400R
41410	41400R
491	491R
492	491R
40900	40900R
41910	40900R
41000	41000R



P1Z Rodless Magnetic Cylinders

Seal kits

Bore mm	Basic version	Guided version
16	P1ZM016SNN-R	P1ZM016GNN-R
20	P1ZM020SNN-R	P1ZM020GNN-R
32	P1ZM032SNN-R	P1ZM032GNN-R



RA Rotary Actuators

Seal kits

Description	Order code
Mounting plate for VGD15 seal kit / spare kits:	9127 386401
RA-2-SS	9121 679920
RA-4-SS	9121 679921
RA-8-SS	9121 679922
RA-12-SS	9121 679923
RA-20-SS	9121 679924



Hydrochecks

Maintenance kits

Description	Order code
Repair kit for B181-1 or B181-2	B732-504
Repair kit for B181-5 or B181-6	B732-505
Repair kit for F3 Hydrocheck	JJF3



VB Hydraulic Clamp Cylinders

Seal kits

Unit type	Order code
VB Ø36	JJVB36
VB Ø48	JJVB48
VBH Ø48	JJVBH48
VB Ø60	JJVB60
VBH Ø60	JJVBH60



CH Series

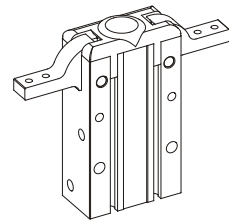
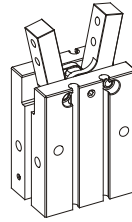
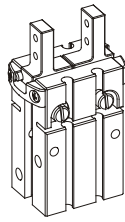
Description	Order code
Repair Kit	CH20R
Repair Kit	CH25R
Repair Kit	CH32R
Repair Kit	CH40R
Repair Kit	CH50R
Repair Kit	CH63R
Repair Kit	CH80R



P5GC Grippers



Maintenance kits



Size	Parallel gripper	Angular gripper	Radial gripper
10	Obsolete	Obsolete	Obsolete
16	Obsolete	Obsolete	Obsolete
20	Obsolete	Obsolete	Obsolete
25	Obsolete	Obsolete	Obsolete

The kit contains seals.

Spare parts

Size	Parallel gripper	Angular gripper	Radial gripper
10	Obsolete	Obsolete	Obsolete
16	Obsolete	Obsolete	Obsolete
20	Obsolete	Obsolete	Obsolete
25	Obsolete	Obsolete	Obsolete

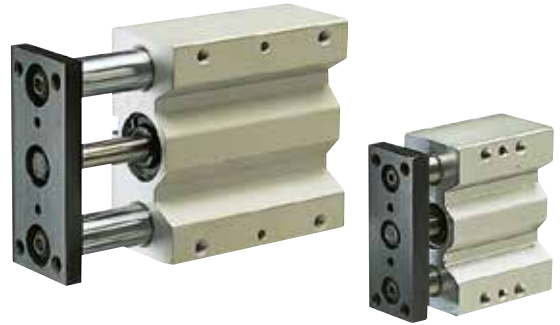
The kit contains the levers and their spindles.

Jaw-carriers

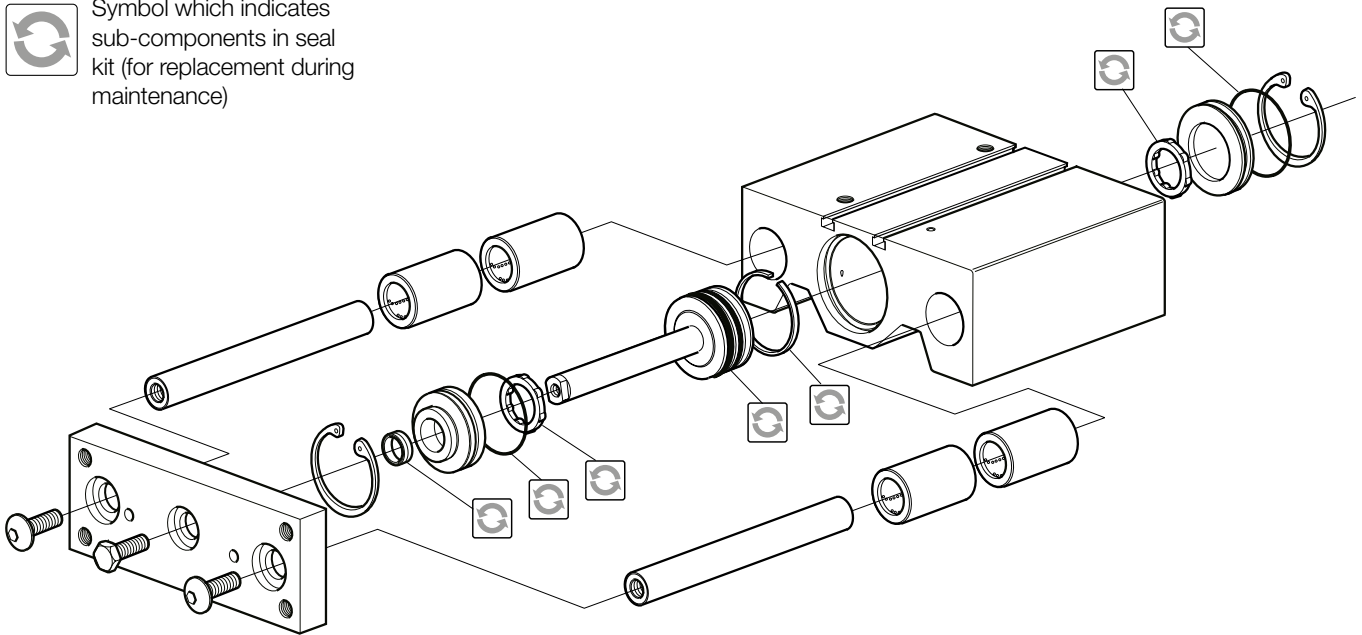
Size	Parallel gripper	Angular gripper	Radial gripper
10	Obsolete	Obsolete	Obsolete
16	Obsolete	Obsolete	Obsolete
20	Obsolete	Obsolete	Obsolete
25	Obsolete	Obsolete	Obsolete

The kit contains the jaw-carriers and their spindles.

P5T Thrust Cylinders

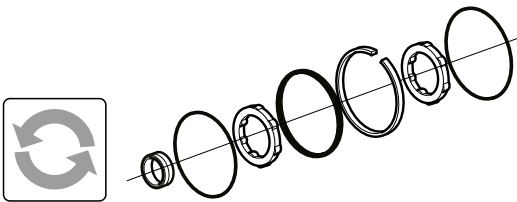


Symbol which indicates sub-components in seal kit (for replacement during maintenance)



Seal kits

Bore mm	Standard temperature Nitrile rubber	High temperature Fluorocarbon rubber
16	PSK-P5T16	PSK-P5T16F
20	PSK-P5T20	PSK-P5T20F
25	PSK-P5T25	PSK-P5T25F
32	PSK-P5T32	PSK-P5T32F
40	PSK-P5T40	PSK-P5T40F
50	PSK-P5T50	PSK-P5T50F
63	PSK-P5T63	PSK-P5T63F
80	PSK-P5T80	PSK-P5T80F
100	PSK-P5T100	PSK-P5T100F



Grease

Standard temperature	High temperature
9127394541	9127394521

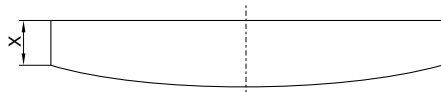


P1V-S Stainless Steel Air Motors

Lubrication and service life



The first service is due after approximately 500 hours of operation. After the first service, the service interval is determined by the degree of vane wear*. The table below shows new dimensions and the minimum dimensions of worn vanes.



Air motor	Dimensions on new vanes X (mm), type of vanes			
	Standard	Z	C	M
P1V-S002	3,3	-	-	-
P1V-S003	X	-	-	-
P1V-S008	4,3	-	-	-
P1V-S012	4,2	4,2	4,2	4,2
P1V-S020	6,5	6,0	6,0	6,0
P1V-S028	X	X	X	X
P1V-S030	6,8	6,2	6,8	6,2
P1V-S057	X	X	X	X
P1V-S060	9,0	9,0	9,0	9,0
P1V-S086	X	X	X	X
P1V-S090	X	X	X	X
P1V-S120	14,7	14,0	14,0	14,0

Air motor	Dimensions on vanes X (mm), type of vanes			
	Standard	Z	C	M
P1V-S002	3,0	-	-	-
P1V-S003	X	-	-	-
P1V-S008	4,0	-	-	-
P1V-S012	3,3	3,3	3,3	3,3
P1V-S020	5,8	5,3	5,3	5,3
P1V-S028	X	X	X	X
P1V-S030	6,0	5,2	6,0	5,2
P1V-S057	X	X	X	X
P1V-S060	6,0	6,0	6,0	6,0
P1V-S086	X	X	X	X
P1V-S090	X	X	X	X
P1V-S120	14,2	13,5	13,5	13,5

The following normal service intervals should be applied in order to guarantee problem-free operation in air motors working continuously at load speeds.

Intermittent lubrication-free operation of motors with standard vanes, option 0

Duty cycle :	70%
Max. duration of intermittent use :	15 minutes
Filtering 40 µm :	750 hours of operation*
Filtering 5 µm :	1,000 hours of operation*


Continuous lubricated operation of motors with standard vanes, option 0

Duty cycle :	Continuous
Quantity of oil :	1 drop per m ³ of air
Filtering 40 µm :	1,000 hours of operation*
Filtering 5 µm :	2,000 hours of operation*

Note! After 1000 hours of operation, the grease in the planetary gearbox must be changed

Continuous lubrication-free operation of motors equipped with vanes, option C

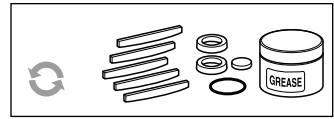
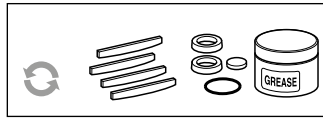
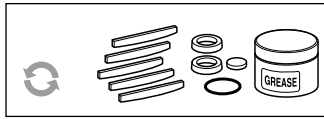
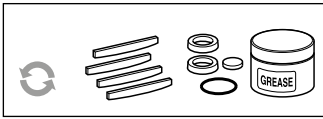
Duty cycle :	Continuous
Filtering 40 µm :	750 hours of operation*
Filtering 5 µm :	1,000 hours of operation*



* The specified hours of operation apply when the motor is running at the speed corresponding to maximum power (load speed). This is approximately half free speed. If the motor operates at higher speeds, the service interval is shorter. If the motor operates at lower speeds, the service interval is longer.

P1V-S Stainless Steel Air Motors

The following kits are available for the basic motors, consisting of vanes, (springs), silencers, O-rings, seals and 50 g of grease. (USDA-H1 approved)



Optional function "0" and "D"

Service kits, vanes for intermittent lubrication-free operation

For motors	Order code
P1V-S002A	P1V-6/446083B
P1V-S003A	P1V-6/446083B
P1V-S008A	P1V-6/446084B
P1V-S012A0 / D0 (to serial no 948688)	9121720601
P1V-S012A0 / D0 (from serial no 948689)	9121720636
P1V-S020A• / D•	9121720602
P1V-S030A• / D•	9121720603
P1V-S060A0E00	9121720604
P1V-S060A0400	9121720604
P1V-S060A0350	9121720604
P1V-S060A0270	9121720604
P1V-S060A0170	9121720604
P1V-S060A0072	9121720604
P1V-S060A0063	9121720604
P1V-S060A0048	9121720605
P1V-S060A0030	9121720605
P1V-S060A0015	9121720605
P1V-S060A0010	9121720605
P1V-S090A0C00	P1V-6/444919A
P1V-S090A0350	P1V-6/444919A
P1V-S090A0270	P1V-6/444919A
P1V-S090A0170	P1V-6/444919A
P1V-S090A0063	P1V-6/444919A
P1V-S090A0048	P1V-6/444919B
P1V-S090A0030	P1V-6/444919B
P1V-S120A•800	9121720606
P1V-S120A•270	9121720606
P1V-S120A•110	9121720606
P1V-S120A•078	9121720607
P1V-S120A•032	9121720607
P1V-S120A•012	9121720607

Optional function "C" and "E"

Service kits, vanes for continuous lubrication-free operation

For motors	Order code
P1V-S012AC / DC (to serial no 948688)	9121720608
P1V-S012AC / DC (from serial no 948689)	9121720637
P1V-S020A• / D•	9121720609
P1V-S030A• / D•	9121720610
P1V-S060ACE00	9121720611
P1V-S060AC400	9121720611
P1V-S060AC350	9121720611
P1V-S060AC270	9121720611
P1V-S060AC170	9121720611
P1V-S060AC072	9121720611
P1V-S060AC063	9121720611
P1V-S060AC048	9121720612
P1V-S060AC030	9121720612
P1V-S060AC015	9121720612
P1V-S060AC010	9121720612
P1V-S090ACC00	On request
P1V-S090AC350	On request
P1V-S090AC270	On request
P1V-S090AC170	On request
P1V-S090AC063	On request
P1V-S090AC048	On request
P1V-S090AC030	On request
P1V-S120A•800	9121720613
P1V-S120A•270	9121720613
P1V-S120A•110	9121720613
P1V-S120A•078	9121720614
P1V-S120A•032	9121720614
P1V-S120A•012	9121720614

• : 0 or D, C or E

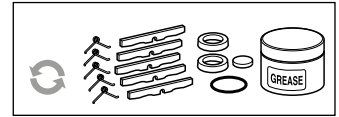
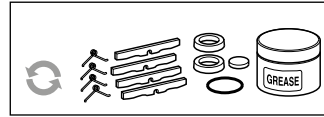
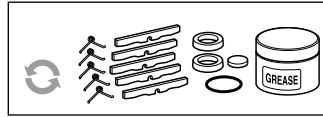
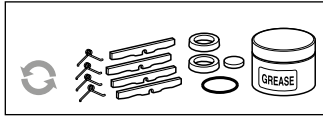
Service kits for high torque motors

For motors	Order code
P1V-S028A0017	P1V-6/444786B
P1V-S028A0008	P1V-6/444786B
P1V-S028A0005	P1V-6/444786B
P1V-S028A0003	P1V-6/444786C
P1V-S028A0002	P1V-6/444786C
P1V-S057A0015	P1V-6/444787D
P1V-S057A0011	P1V-6/444787D
P1V-S057A0007	P1V-6/444787D
P1V-S057A0004	P1V-6/444787E
P1V-S086A0015	P1V-6/444919C
P1V-S086A0011	P1V-6/444919C
P1V-S086A0007	P1V-6/444919C
P1V-S086A0004	P1V-6/444919D

P1V-S Stainless Steel Air Motors

Service kits

The following kits are available for the basic motors, consisting of vanes, (springs), silencers, O-rings, seals and 50 g of grease. (USDA-H1 approved)



Optional function "Z" and "F"

Service kits, spring-loaded vanes for intermittent lubrication-free operation

For motors	Order code
P1V-S012AZ / DZ (to serial no 948688)	9121720615
P1V-S012AZ / DZ (from serial no 948689)	9121720638
P1V-S020A• / D•	9121720616
P1V-S030A• / D•	9121720617
P1V-S060AZE00	9121720618
P1V-S060AZ400	9121720618
P1V-S060AZ350	9121720618
P1V-S060AZ270	9121720618
P1V-S060AZ170	9121720618
P1V-S060AZ072	9121720618
P1V-S060AZ048	9121720619
P1V-S060AZ072	9121720619
P1V-S060AZ063	9121720619
P1V-S060AZ010	9121720619
P1V-S090AZC00	On request
P1V-S090AZ350	On request
P1V-S090AZ270	On request
P1V-S090AZ170	On request
P1V-S090AZ063	On request
P1V-S090AZ048	On request
P1V-S090AZ030	On request
P1V-S120A•800	9121720620
P1V-S120A•270	9121720620
P1V-S120A•110	9121720620
P1V-S120A•078	9121720621
P1V-S120A•032	9121720621
P1V-S120A•012	9121720621

• : Z or F, M or G

Optional function "M" and "G"

Service kits, spring-loaded vanes for continuous lubrication-free operation

For motors	Order code
P1V-S012AM / DM (to serial no 948688)	9121720622
P1V-S012AM / DM (from serial no 948689)	9121720639
P1V-S020A• / D•	9121720623
P1V-S030A• / D•	9121720624
P1V-S060AME00	9121720625
P1V-S060AM400	9121720625
P1V-S060AM270	9121720625
P1V-S060AM170	9121720625
P1V-S060AM072	9121720625
P1V-S060AM048	9121720626
P1V-S060AM030	9121720626
P1V-S060AM010	9121720626
P1V-S090AMC00	On request
P1V-S090AM350	On request
P1V-S090AM270	On request
P1V-S090AM170	On request
P1V-S090AM063	On request
P1V-S090AM048	On request
P1V-S090AM030	On request
P1V-S120A•800	9121720627
P1V-S120A•270	9121720627
P1V-S120A•110	9121720627
P1V-S120A•078	9121720628
P1V-S120A•032	9121720628
P1V-S120A•012	9121720628

Service kits for brake module for motors with brakes

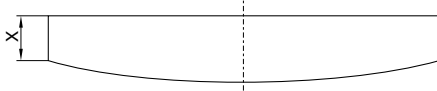
For motors	Order code
P1V-S020AD and P1V-S030AD	P1V-6/446096C
P1V-S120AD	P1V-6/4460961B

Comment: To perform a full service on a brake motor, you will need a normal service kit as well as a service kit for the brake module.

P1V-M Robust Air Motors Black Housing

Lubrication and service life

The first service is due after approximately 500 hours of operation. After the first service, the service interval is determined by the degree of vane wear*. The table below shows new dimensions and the minimum dimensions of worn vanes.



Air motors	Dimensions on new vanes X [mm]	Minimum dimensions on vane X [mm]
P1V-M020	8,5	6,5
P1V-M040	7,0	5,0
P1V-M060	8,0	6,0

Intermittent operation of motors with standard vanes, oil free lubrication

Duty cycle :	70%
Max. duration of intermittent use :	15 minutes
Filtration 40 µm :	750 hours of operation*
Filtration 5 µm :	1 000 hours of operation*

Continuous operation of motors with standard vanes, with lubrication

Duty cycle :	Continuous
Quantity of oil :	1 drop per m ³ of air
Filtration 40 µm :	1 000 hours of operation*
Filtration 5 µm :	2 000 hours of operation*

NOTE! The grease in the planetary gearbox must be checked once in a year and be changed if necessary. (Molycote BR2+)

Service kits

The following kits are available for the basic motors, consisting of vanes and (springs).



Service kits, vanes for intermittent lubrication operation, option "0"

For motors	Order code
P1V-M020	P1V-6/831297A
P1V-M040	P1V-6/831298A
P1V-M060	P1V-6/831299A

Service kits, vanes for intermittent lubrication operation, option "Z"



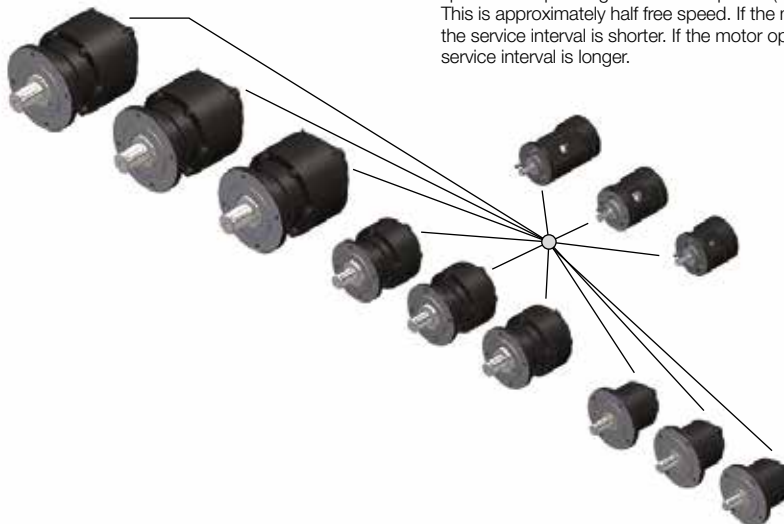
For motors	Order code
P1V-M020	Consult Factory
P1V-M040	Consult Factory
P1V-M060	Consult Factory

Spare parts

Robust motors	Order code
P1V-M020	Obsolete
P1V-M040	Obsolete
P1V-M060	Obsolete

Gear boxes with flange	Order code
A0A00 (1 stage)	Obsolete
A0290 (1 stage)	Obsolete
A0150 (1 stage)	Obsolete
A0081 (2 stages)	Obsolete
A0041 (2 stages)	Obsolete
A0021 (2 stages)	Obsolete
A0009 (3 stages)	Obsolete
A0006 (3 stages)	Obsolete
A0003 (3 stages)	Obsolete

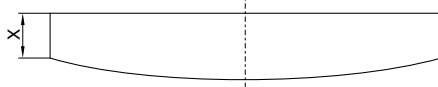
* The following normal service intervals should be applied in order to guarantee problem-free operation in air motors working continuously at load speeds. The specified hours of operation apply when the motor is running at the speed corresponding to maximum power (load speed). This is approximately half free speed. If the motor operates at higher speeds, the service interval is shorter. If the motor operates at lower speeds, the service interval is longer.



P1V-M - Robust Air Motors Grey Housing

Lubrication and service life

The first service is due after approximately 500 hours of operation. After the first service, the service interval is determined by the degree of vane wear*. The table below shows new dimensions and the minimum dimensions of worn vanes.



Air motors	Dimensions on new vanes X [mm]	Minimum dimensions on vane X [mm]
P1V-M020	8,5	6,5
P1V-M040	7,0	5,0
P1V-M060	8,0	6,0
P1V-M090	X	X
P1V-M120	X	X

Spare parts

For motor with Z optional function, please consult factory

Spare parts Order Code

Motor	Air Motor (1)	Gear Box (2)
P1V-M020C0230	P1V-M/202193A	P1V-M/202202B
P1V-M020C0146	P1V-M/202193A	P1V-M/202202D
P1V-M020C0054	P1V-M/202193A	P1V-M/202202G
P1V-M020C0034	P1V-M/202193B	P1V-M/202202C
P1V-M020C0021	P1V-M/202193B	P1V-M/202202E
P1V-M020C0012	P1V-M/202193B	P1V-M/202202F
P1V-M020C0008	P1V-M/202193B	P1V-M/202202H
P1V-M020C0003	P1V-M/202193B	P1V-M/202202I
Motor		
P1V-M040C0230	P1V-M/202194A	P1V-M/202202B
P1V-M040C0146	P1V-M/202194A	P1V-M/202202D
P1V-M040C0054	P1V-M/202194A	P1V-M/202202G
P1V-M040C0034	P1V-M/202194B	P1V-M/202202C
P1V-M040C0021	P1V-M/202194B	P1V-M/202202E
P1V-M040C0012	P1V-M/202194B	P1V-M/202202F
P1V-M040C0008	P1V-M/202194B	P1V-M/202202H
Motor		
P1V-M060C0230	P1V-M/202179A	P1V-M/202202B
P1V-M060C0146	P1V-M/202179A	P1V-M/202202D
P1V-M060C0054	P1V-M/202179A	P1V-M/202202G
P1V-M060C0034	P1V-M/202179B	P1V-M/202202C
P1V-M060C0021	P1V-M/202179B	P1V-M/202202E
P1V-M060C0012	P1V-M/202179B	P1V-M/202202F
Motor		
P1V-M090C0245	P1V-M/202409A	P1V-M/807015B
P1V-M090C0156	P1V-M/202409B	P1V-M/807015C
P1V-M090C0058	P1V-M/202409A	P1V-M/807015D
P1V-M090C0036	P1V-M/202409B	P1V-M/807015E
P1V-M090C0023	P1V-M/202409B	P1V-M/807015F
P1V-M090C0013	P1V-M/202409A	P1V-M/807015G
P1V-M090C0009	P1V-M/202409B	P1V-M/807015H
P1V-M090C0004	P1V-M/202409B	P1V-M/807015I
Motor		
P1V-M120C0245	P1V-M/202457A	P1V-M/807015B
P1V-M120C0156	P1V-M/202457B	P1V-M/807015C
P1V-M120C0058	P1V-M/202457A	P1V-M/807015D
P1V-M120C0036	P1V-M/202457B	P1V-M/807015E
P1V-M120C0023	P1V-M/202457B	P1V-M/807015F

Service kits

The following kits are available for the basic motors, consisting of vanes.



Service kits, vanes for intermittent lubrication operation, option "0"

For motors	Order code
P1V-M020	P1V-6/4462971A
P1V-M040	P1V-6/4462981A
P1V-M060	P1V-6/4462991A
P1V-M090	P1V-6/4449171A
P1V-M120	P1V-6/4449181A

The following kits are available for the basic motors, consisting of vanes and springs.



Service kits, vanes for intermittent lubrication operation, option "Z"

For motors	Order code
P1V-M020	P1V-6/4449144B
P1V-M040	P1V-6/4449154B
P1V-M060	P1V-6/4449164B
P1V-M090	P1V-6/4449174B
P1V-M120	P1V-6/4449184B

* The following normal service intervals should be applied in order to guarantee problem-free operation in air motors working at load speeds. The specified hours of operation apply when the motor is running at the speed corresponding to maximum power (load speed). This is approximately half free speed. If the motor operates at higher speeds, the service interval is shorter. If the motor operates at lower speeds, the service interval is longer.



P1V-A - Air Motors Grey Housing

Lubrication and service life

Oil and oil mist are things which one tries to avoid to get the best possible working environment. In addition, purchasing, installation and maintenance of oil mist equipment costs money and, above all, time to achieve optimum lubrication effect.

The P1V-A motor is equipped with vanes for intermittent operation as standard for most common applications.

Service interval



The first service is due after approximately 500 hours of operation. After the first service, the service interval is determined by the degree of vane wear.

The following normal service intervals should be applied to in order to guarantee problem-free operation in air motors working continuously at load speeds.

Intermittent lubrication operation

Duty cycle	70%
Max. duration of intermittent use	15 minutes
Oil volume	1 drop oil/Nm ³
Filtering 40 µm	app. 750 hours operation
Filtering 5 µm	app. 1,000 hours operation

Continuous lubrication operation

Oil volume	1 drop oil/Nm ³
Filtering 40 µm	app. 1,000 hours operation
Filtering 5 µm	app. 2,000 hours operation

Continuous lubrication operation

Oil volume	Oil free
Filtering 40 µm	app. 750 hours operation
Filtering 5 µm	app. 1,000 hours operation

Standard vanes (0, D):

For intermittent lubrication-free operation.

They can operate 70% of the time for up to 15 minutes without lubrication.

With lubrication, these motors can operation 100% of the time.

"Black" vanes (C, E):

For continuous lubrication-free operation.

(To obtain the longest possible service life, we recommend no oil in the air.)

Service kits

The following kits are available for the basic motors, consisting of vanes, O-rings and springs:

Motor type	Motor power Watt	Order code	
		Vanes for intermittent lubrication operation, options "O & D"	Vanes for continuous lubrication operation, options "C & E"
P1V-A160A0900	1600	P1V-6/4450331B	P1V-6/4450332B
P1V-A160D0300	1600	P1V-6/4450331D	P1V-6/4450332D
P1V-A160B0140	1600	P1V-6/4450331E	P1V-6/4450332E
P1V-A160B•••••	1600	P1V-6/4450331B	P1V-6/4450332B
P1V-A160H••••••	1600	P1V-6/4450331B	P1V-6/4450332B
P1V-A160F••••••	1600	P1V-6/4450331B	P1V-6/4450332B
P1V-A160G••••••	1600	P1V-6/4450331B	P1V-6/4450332B
P1V-A160D••••••	1600	P1V-6/4450331B	P1V-6/4450332B
P1V-A160E••••••	1600	P1V-6/4450331B	P1V-6/4450332B
P1V-A320A0700	3200	P1V-6/4450341B	P1V-6/4450342B
P1V-A320D0300	3200	P1V-6/4450341D	P1V-6/4450342D
P1V-A320B0140	3200	P1V-6/4450341E	P1V-6/4450342E
P1V-A320B0060	3200	P1V-6/4450341B	P1V-6/4450342B
P1V-A320H••••••	3200	P1V-6/4450341B	P1V-6/4450342B
P1V-A320F••••••	3200	P1V-6/4450342B	P1V-6/4450342B
P1V-A320G••••••	3200	P1V-6/4450341B	P1V-6/4450342B
P1V-A320D••••••	3200	P1V-6/4450341B	P1V-6/4450342B
P1V-A320E••••••	3200	P1V-6/4450341B	P1V-6/4450342B
P1V-A500A0600	5000	P1V-6/4450351B	P1V-6/4450352B
P1V-A500D0300	5000	P1V-6/4450351D	P1V-6/4450352D
P1V-A500B0145	5000	P1V-6/4450351E	P1V-6/4450352B
P1V-A500H••••••	5000	P1V-6/4450351B	P1V-6/4450352B
P1V-A500F••••••	5000	P1V-6/4450351B	P1V-6/4450352B
P1V-A500G••••~•	5000	P1V-6/4450351B	P1V-6/4450352B
P1V-A500D••••~•	5000	P1V-6/4450351B	P1V-6/4450352B
P1V-A500E••••~•	5000	P1V-6/4450351B	P1V-6/4450352B
P1V-A600A0700	6000	P1V-6/4450351B	P1V-6/4450352B
P1V-A600D0350	6000	P1V-6/4450351D	P1V-6/4450352D
P1V-A600B0160	6000	P1V-6/4450351E	P1V-6/4450352E
P1V-A900A0600	9000	P1V-6/440246C	-
P1V-AJ00A0600	18000	P1V-6/440246B	-

••••• Rest of the air motor order code

For more information about our maintenance services, please contact your local parker sales office.

PRO - PRN Rotary Actuators



PRO Miniature Series

Maintenance kits

The maintenance kit consists in the vane shaft, shoe seal and shaft 'O' rings

Single vane		Double vane	
PROA3S	PRNA3S-PS	PROA3D	PRNA3D-PS
PROA10S	PRNA10S-PS	PROA10D	PRNA10D-PS
PROA20S	PRNA20S-PS	PROA20D	PRNA20D-PS
PRO30SE	PRN30S-PS	PRO30DE	PRN30D-PS

PRN Miniature Series

Maintenance kits

The maintenance kit consists in the vane shaft, shoe seal and shaft 'O' rings

Single vane		Double vane	
PRNA1S	PRNA1S-PS	PRNA1D	PRNA1D-PS
PRNA3S	PRNA3S-PS	PRNA3D	PRNA3D-PS
PRNA10S	PRNA10S-PS	PRNA10D	PRNA10D-PS
PRNA20S	PRNA20S-PS	PRNA20D	PRNA20D-PS
PRN30SE	PRN30S-PS	PRN30D E	PRN30D-PS

PRN High Torque Series

Maintenance kits

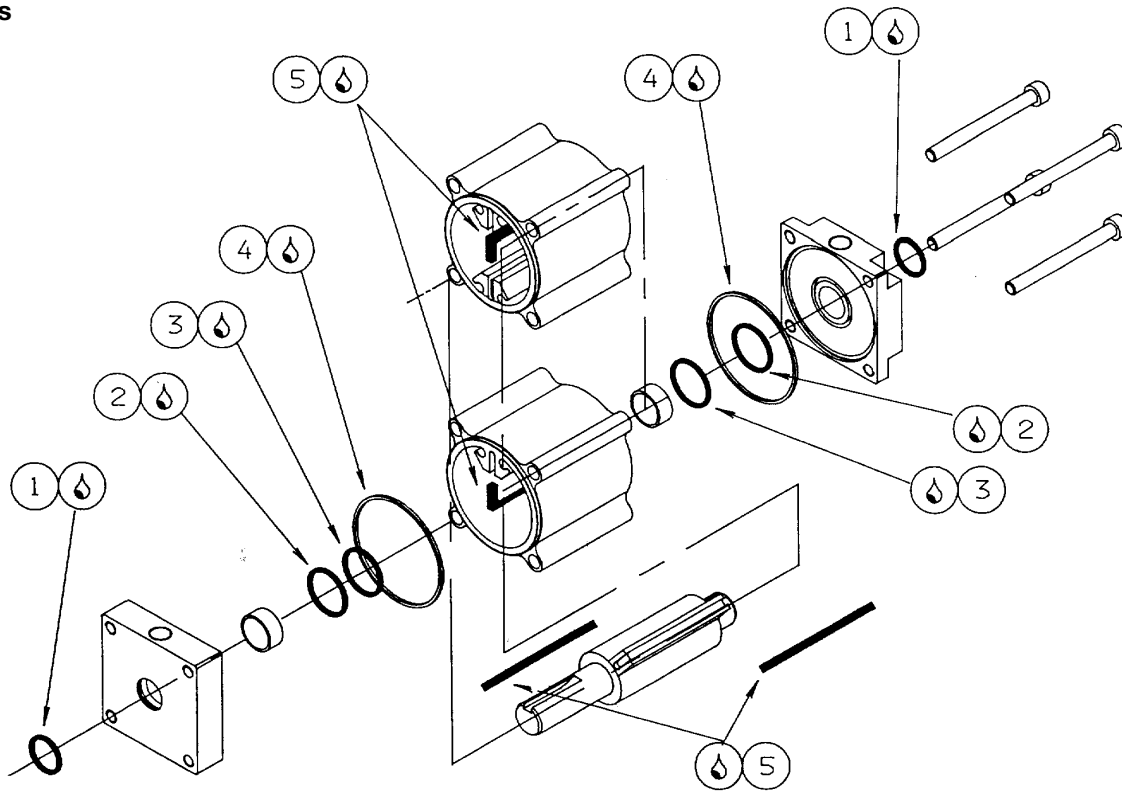
The maintenance kit consists in the vane shaft, shoe seal and shaft 'O' rings


Single vane		Double vane	
PRN050SE	PRN50S-PS	PRN50DE	PRN50D-PS
PRN150SE	PRN150S-PS	PRN150DE	PRN510D-PS
PRN300SE	PRN300S-PS	PRN300DE	PRN300D-PS
PRN800SE	PRN800S-PS	PRN800DE	PRN800D-PS

PV Rotary Actuators



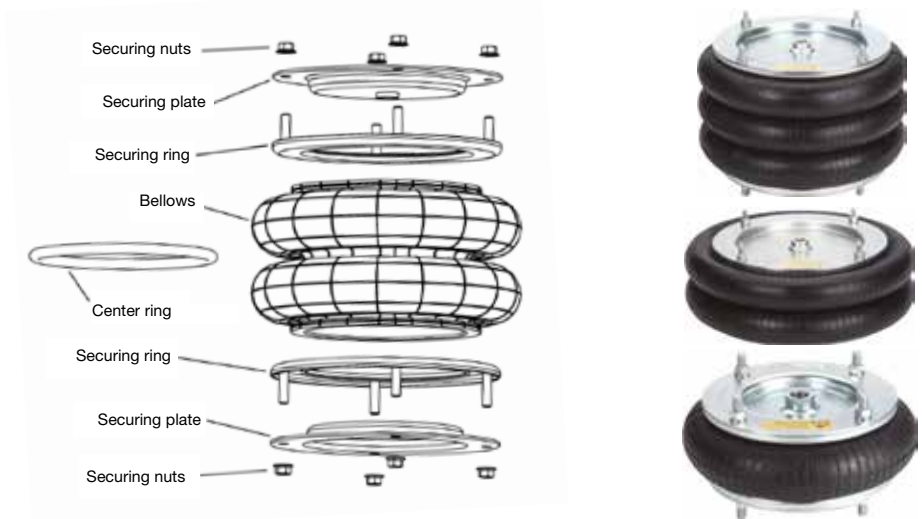
Seal kits



 Lubricate with grease Parker ref: **3099**

Size	Type	Order code	Components				
			1 Shaft seal	2 Teflon seal	3 Shoulder seal	4 'O' ring	5 vane seal
10	Single	PSK-PV10	2	2	2	2	2
10	Double	PSK-PV10D	2	2	2	2	4
11	Single	PSK-PV11	2	2	2	2	2
11	Double	PSK-PV11D	2	2	2	2	4
22	Single	PSK-PV22	2	2	2	2	2
22	Double	PSK-PV22D	2	2	2	2	4
33	Single	PSK-PV33	2	2	2	2	2
33	Double	PSK-PV33D	2	2	2	2	4

Air Bellows



Spare parts

Ø (mm) (inch size)	Type	Nb. conv.	For		Order Code									
			Standard bellow	High temp. bellow	Standard rubber membrane	High temp. rubber membrane	Qty *	Plate without air port	Qty *	Plate with air port	Qty *	Clamping support	Qty *	Central ring
Ø 70 (2.3/4")	2.3/4 x 1	1	9109025	9109525	9109144	9109302	1	9109065	1	9109181	2	9109193	-	-
	2.3/4 x 2	2	9109009	9109509	9109152	9109303							1	9109209
	2.3/4 x 3	3	9109010	9109510	9109090	9109304							2	
Ø 110 (4.1/2")	4.1/2 x 1	1	9109400	9109500	9109145	9109288	1	9109188	1	9109187	2	9109186	-	-
	4.1/2 x 2	2	9109401	9109501	9109189	9109289							2	9109184
	4.1/2 x 3	3	9109402	9109502	9109147	9109287							3	
Ø 150 (6") Alu.	6 x 1	1	9109004A	9109204A	9109191	9109391	1	9109070A	1		2	9109080A	-	-
	6 x 2	2	9109001A	9109201A	9109091	9109291							1	
	6 x 3	3	9109007A	9109207A	9109149	9109286							2	
Ø 150 (6") Steel	8 x 1	1	9109004	9109204	9109191	9109391	1	9109070	1	9109075	2	9109080	-	-
	8 x 2	2	9109001	9109201	9109091	9109291							1	9109098
	8 x 3	3	9109007	9109207	9109149	9109286							2	
Ø 200 (8")	8 x 1	1	9109014	9109214	9109192	9109392	1	9109071	1	9109076	2	9109086	-	-
	8 x 2	2	9109011	9109211	9109092	9109292							1	9109099
	8 x 3	3	9109017	9109217	9109151	9109300							2	
Ø 250 (10")	10 x 1	1	9109024	9109224	9109146	9109393	1	9109072	1	9109077	2	9109087	-	-
	10 x 2	2	9109021	9109221	9109093	9109293							1	9109100
	10 x 3	3	9109031	9109231	9109094	9109294							2	
Ø 300 (12")	12 x 1	1	9109044	9109244	9109195	9109395	1	9109073	1	9109078	2	9109088	-	-
	12 x 2	2	9109041	9109241	9109095	9109295							1	9109101
	12 x 3	3	9109051	9109251	9109096	9109296							2	
Ø 370 (14.1/2")	4.1/2 x 1	1	9109064	9109264	9109197	9109397	1	9109074	1	9109178	2	9109189	-	-
	4.1/2 x 2	2	9109061	9109261	9109097	9109297							1	9109170
	4.1/2 x 3	3	9109069	9109269	9109148	9109301							2	
Ø 410 (16")	16 x 1	1	9109026	9109226	9109142	9109284	1	9109074	1	9109178	2	9109089	-	-
	16 x 2	2	9109171	9109271	9109199	9109298							1	9109170
	16 x 3	3*	9109177	9109277	9109200	9109299							2	
Ø 550 (21.1/2")	21.1/2 x 2	2	9109156	9109250	9109190	9109290	1	9109068		9109167	2	9109183	1	9109185
	21.1/2 x 2	2**		9109253									/	
Ø 660 (26")	26 x 2	2	9109159	/	9109198	/	1	9109155		9109157	2	9109183	1	9109185
	26 x 2	2**		/									/	

Nuts are not considered as spare parts

* bag quantity is 1 piece

** Air bellows less plates

Note: For stainless steel spare parts, please consult factory.

C05 Pancake Cylinders



Non repairable
Replace complete cylinder

P1G Cartridge Cylinders



Non repairable
Replace complete cylinder

P1Q Compact Cylinders



Non repairable
Replace complete cylinder

P1J Compact Cylinders



Non repairable
Replace complete cylinder

P1A Mini ISO 6432



Non repairable
Replace complete cylinder

P1S Stainless Steel Cylinders
ISO 6432 - 10mm - 25mm bore



Non repairable
Replace complete cylinder

Round Cylinders - R Series
Ø32 - Ø63



Non repairable
Replace complete cylinder

Round Cylinders - R Series
Ø10 - Ø25



Non repairable
Replace complete cylinder

MC-SC Shock Absorbers



Non repairable
Replace shock absorber

P5GA Grippers



Non repairable
Replace complete gripper

P5GB Grippers



Non repairable
Replace complete gripper

P5GD Grippers



Non repairable
Replace complete gripper

P5GL Grippers



Non repairable
Replace complete gripper

P5RS Rotating Tables



Non repairable
Replace complete table

P5SS Precision Slide Tables



Non repairable
Replace complete table

3D Linear Units



Spares No Longer Available

3H Grippers



Spares No Longer Available

Short Stroke Units
(M16 and M25)



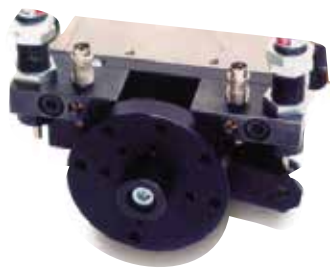
Spares No Longer Available

3D Base Rotate Units



Spares No Longer Available

3D Wrist Rotate Units



Spares No Longer Available

CXP Cylinders



Spares No Longer Available

P5SP Precision Slide Table



Spares No Longer Available

3F Carrier Unit



Spares No Longer Available

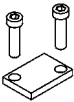





Control Devices

Viking Xtreme

For solenoid operator and coil, please refer to **15mm and 22mm** solenoid range at the end of this chapter




Accessories P2LA	Type	Weight kg	Order code
	Blanking plate, P2LA for Pressure bar	0,05	9121658074
	Assembly screws, P2LA in stainless steel for valve	0,02	9121658043
	Assembly screws, P2LA in stainless steel for blanking plate	0,01	9121658044
	O-ring kit, P2LA O-rings between valve and manifold bar/Pressure bar	0,01	9121658046

Adaptor for 15mm solenoid operator



Description	Order code
For 15mm solenoid operator	P2FA22-15

Screws
Self tapping Ø3 26,2mm length (stainless steel)
for mounting 15mm solenoid

Description	Order code
 Set of 10 screws	P2E-KD027SS3

Gaskets for mounting between power valves and 15mm solenoid actuators

Description	Order code
 Set of 10 gaskets	P2LXSK1

Spare kit



Description	Order code
for 5/2 P2LAX valves	P2LAXSK1
for 5/3 P2LAX valves	P2LAXSK2
for 5/2 & 5/3 P2LBX valves	P2LBXSK1
for 5/2 & 5/3 P2LCX valves	P2LCXDXSK1
for 5/2 & 5/3 P2LDX valves	P2LCXDXSK1

B Valves

B3, B4 and B5 Spool/Body repair kits contain:

- Spool
- Spool seals
- Lip seal – operator pistons
- Gaskets
- Spool springs
- Grease packet

B3 series valves

3/2 solenoid and remote air pilot operated valves -Spool/Body Repair kit	PS2971F
5/2 solenoid and remote air pilot operated valves -Spool/Body Repair kit	PS2901F
5/3 APB solenoid and remote pilot operated valves - Spool/Body Repair kit	PS2902F



For solenoid operator and coil, refer to **15mm** solenoid range at the end of this chapter

Manifold gasket kits

3/2 IEM Gasket kit (10 valve/manifold gaskets)	PS2980F
5/2 IEM Gasket kit (10 valve/manifold gaskets)	PS2981F

B4 series valves

3/2 solenoid and remote air pilot operated valves - Spool/Body Repair kit	PS4571F
5/2 solenoid and remote air pilot operated valves - Spool/Body Repair kit	PS4501F
5/3 solenoid and remote pilot operated valves – APB Spool/Body Repair kit	PS4502F
5/3 solenoid and remote pilot operated valves – CE Spool/Body repair kit	PS4503F
5/3 solenoid and remote pilot operated valves – PC Spool/Body repair kit	PS4504F



For solenoid operator and coil, refer to **15mm** solenoid range at the end of this chapter

Manifold gasket Kits.

3/2 IEM Gasket Kit (10 valve/manifold gaskets)	PS4580F
5/2 IEM Gasket Kit (10 valve/manifold gaskets)	PS4581F

B5 series valves

3/2 solenoid and remote air pilot operated valves - Spool/Body Repair kit	PS2871P
5/2 solenoid and remote air pilot operated valves - Spool/Body Repair kit	PS2801P
5/3 solenoid and remote pilot operated valves – APB Spool/Body Repair kit	PS2802P
5/3 solenoid and remote pilot operated valves – CE Spool/Body repair kit	PS 2803P
5/3 solenoid and remote pilot operated valves – PC Spool/Body repair kit	PS2804P



For solenoid operator and coil, refer to the **22mm** solenoid range at the end of this chapter

Manifold gasket Kits.

3/2 & 5/2 IEM Gasket kit PS2884P (10 valve/manifold gaskets)	PS2884P
--	----------------

Gaskets for mounting between power valves and 15mm solenoid actuators

Description	Order code
Set of 10 gaskets	P2LXSK1

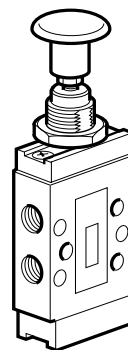


Midget & Intermediate Valves

Service and Replacement Parts

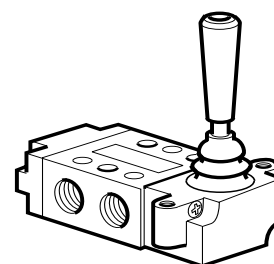
B43 Series Manually Operated Valves

Order code	Actuator	Replacement actuator	Repair kit
B43003BXS	Button	43004BX-100	Body seal
B43004BXS	Button		
B43004HXS	Button, Push/Pull	43004H-100	43007A
B43003LS	Lockdown lever	43004L-200	
B43004LS	Lockdown lever		



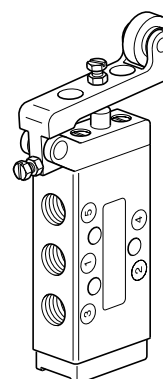
B53 Series Manually Operated Valves

Order code	Actuator	Replacement actuator	Repair kit
B53003HXS	Button	53004HX-100	Body seal
B53004HXS	Button		
B53003HX	Button, Push/Pull	53004HX-100	53007
B53004HX	Button, Push/Pull		
B53004HXX	Button, Self centring	53004L-198	Lever kit
B53004HXY	Button, Self centring		
B53004HXZ	Button, Self centring	53004L-198	Lever kit
B53003FS	Foot		
B53004FS	Foot	53004F-100	Body seal
B53003LS	Lever	53004L-198	
B53004LS	Lever		
B53003LT	Lever, 2 positions	53004L-196	53007
B53004LT	Lever, 2 positions		
B53004L	Lever, 3 positions	53004L-100	53004L-300R
B53004LW	Lever, 3 positions		
B53004LX	Lever, Self centring	53004L-198	Lever kit
B53004LY	Lever, Self centring		



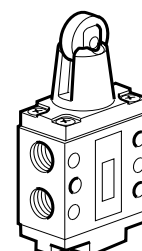
B43 Series Mechanically Operated Valves

Order code	Actuator	Replacement actuator	Repair kit
B43003CS	Plunger	43004C-100	Body seal
B43004CS	Plunger		
B43003RS	Roller Lever	43004R-200	43007A
B43004RS	Roller Lever		



B53 Series Mechanically Operated Valves

Order code	Actuator	Replacement actuator	Repair kit
B53003CS	Plunger	53004C-100	Body seal
B53004CS	Plunger		
B53003RS	Roller	53004R-100	53007
B53004RS	Roller		



Heavy Duty Poppet Valves

Seal Repair Kit

Order Code
107

For solenoid operator and coil, refer to **22mm** solenoid range at the end of this chapter.



VA Valves



Service and Replacement Parts

VA Series Heavy Duty Valves

Order code	Repair Kit
9128674100	Body seals (6 pcs. 'O' Ring)

G1/8 Poppet Valves



Repair kits

Description	Order code
Mechanically, manually and air pilot operated valves	43608
Diaphragm operated valves	43608B

Apollo ISO Valves



Solenoid



Description	Order code
24VCD	P2FP23N4C + P2FCA449
24VAC	P2FP23N4C + P2FCA442
110VAC	P2FP23N4C + P2FCA453
220VAC	P2FP23N4C + P2FCA457

Solenoid



Description	Order code
24VCD	250CMTF
24VAC	250CMTA
48VAC	250CMTC
110VAC	250CMS
220VAC	250CMTL

Gaskets

for mounting between power valves and subbases



Description	Order code
for ISO 1 valves	19104-9
for ISO 2 valves	29104-9
for ISO 3 valves	39104-9

DISCONTINUED

Spares Kit



Description	Order code
for ISO 1 valves	19107
for ISO 2 valves	29107
for ISO 3 valves	39107

DISCONTINUED

ISO Valves - Flexflow

For solenoid operator and coil concerning:

VG25-**E**xxxx / VG25-**XE**xxxx / VG25-**YE**xxxx
 VG35-**E**xxxx / VG35-**XE**xxxx / VG35-**YE**xxxx
 VG45-**E**xxxx / VG45-**XE**xxxx / VG45-**YE**xxxx

refer to **22mm** solenoid range at the end of this chapter

For solenoid operator and coil concerning:

VG25-**A**xxxx / VG25-**XA**xxxx / VG25-**YA**xxxx
 VG35-**A**xxxx / VG35-**XA**xxxx / VG35-**YA**xxxx
 VG45-**A**xxxx / VG45-**XA**xxxx / VG45-**YA**xxxx

refer to **30mm** CNOMO solenoid range at the end of this chapter



VG25 Seals



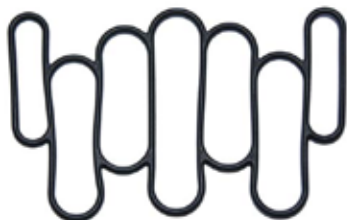
VG25 Sleeve + Spool + Seal kit
 (all VG25 valves except 5/3 closed centre)

P2N-A6/S90066

Valve to sub-base - VG25 seals (x10) kit

P2N-A6/S90069

VG45 Seals



VG45 Sleeve + Spool + Seal kit
 (only 5/2 VG45 valves)

P2N-C6/S90074

Valve to sub-base - VG45 seals (x10) kit

P2N-C6/S90077

VE35 Complete seals kit



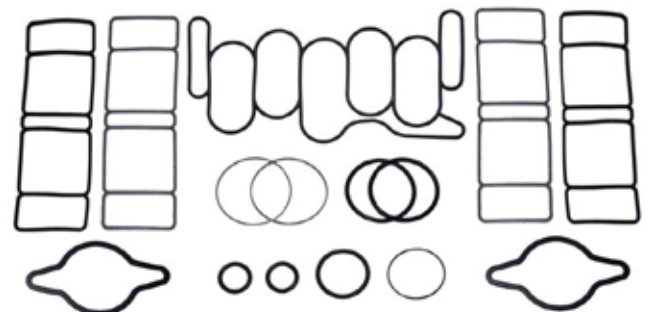
VG35 Sleeve + Spool + Seal kit
 (all VG35 valves except 5/3 closed centre)

P2N-B6/S90070

Valve to sub-base - VG35 seals (x10) kit

P2N-B6/S90073

VE45 Complete seals kit



9121558480

ISO Valves - DX1 - DX2 - DX3

Adaptor for 15mm solenoid operator



Description	Order code
For 15mm solenoid operator	58DX-70/6291



For solenoid operator and coil, refer to **15mm / 22mm / 30mm** solenoid range at the end of this chapter

Cover Plate



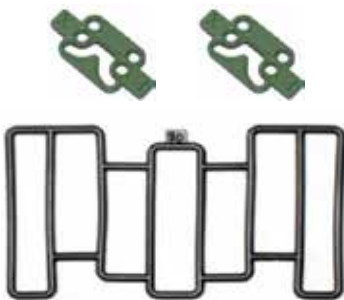
Description	Order code
Batch of 20	JBDX00/020-A

Cover Screws (batch of 40)



Description	Order code
for DX1 valves	JCVDX1
for DX2 valves	JCVDX2/3
for DX3 valves	JCVDX2/3

External seals kit



Description	Order code
for DX1 valves	JJDX10-A
for DX2 valves	JJDX20-A
for DX3 valves	JJDX30-A

Complete seal kit



Gaskets



For mounting between power valves and solenoid actuators:

Description	Order code
Set of 20 gaskets	PPR-V20

Operator adapter



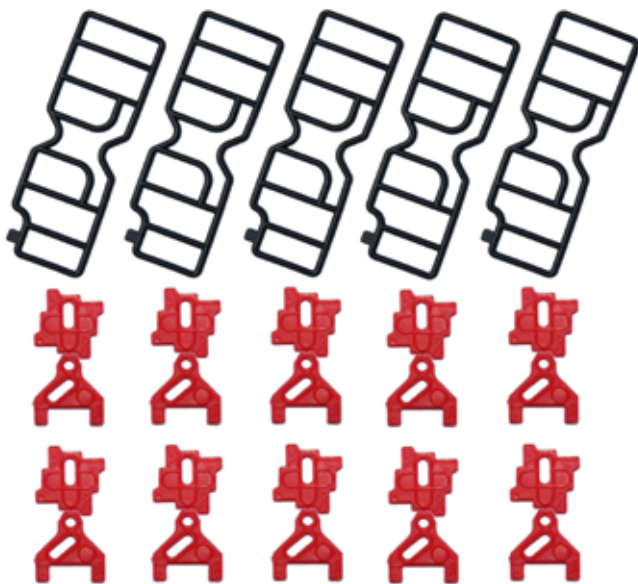
Description	Order code
Batch of 20	P2FNS

Description	Order code
for DX1 valves	JJDX15-A
for DX2 valves	JJDX25-A
for DX3 valves	JJDX35-A

ISO Valves - DX01 - DX02

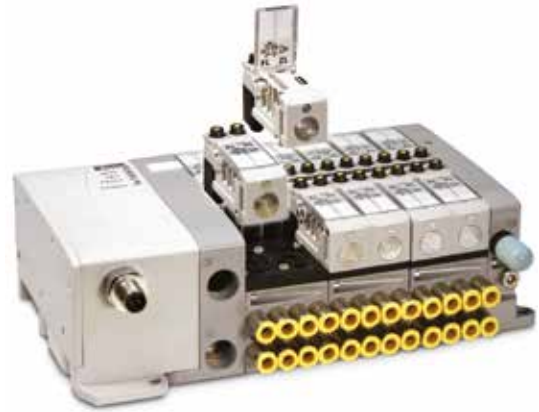


For solenoid operator and coil, refer to **15mm** solenoid range at the end of this chapter

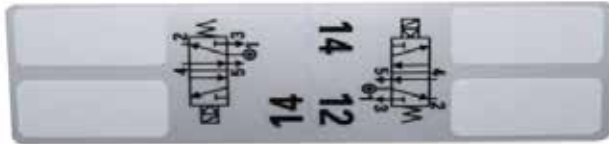


Description	Order code
Seal kit for DX01 x 5 valve to sub-base gasket x 10 pilot supply selector	PPR-V63

Isys Micro



Valve Labels - Set of 10



Description	Order code
5/2 single solenoid	PSM002E
5/2 double solenoid	PSM0022
5/3 double solenoid	PSM0025
Dual 3/2 double solenoid NC/NC	PSM002N
Dual 3/2 double solenoid NO/NO	PSM002P
Dual 3/2 double solenoid NC/NO	PSM002Q

Solenoid kit



Description	Order code
24 VDC	PSM0010

Internal manifold seal plate (x1)



Order code

PSM0001

PSM0002

PSM0003

PSM0004

Manifold to manifold M3 screws

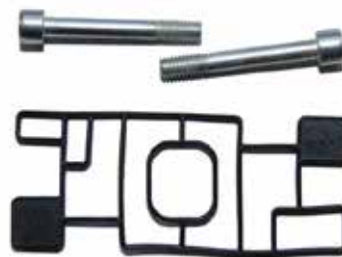


Description Order code

Set of 10
M3 screws

PSM0014

Valve to manifold gasket



Description Order code

Set of 5
gaskets and
10
screws

PSM0012

Manual override caps



Description Order code

Set of 10

PSM0011

M7 plugs for auxilliary and pilot pressure ports



Description Order code

Set of 10
M7 plugs

PSM0013

Moduflex Valves

Clips



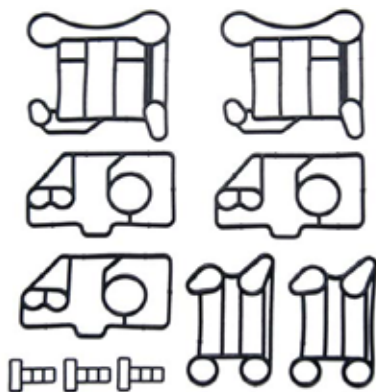
x 2 for size 2

x 2 for head & Intermediate module

x 6 for size 1

Description	Order code
Set of 10 Clips	P2M2K0CA

External seal kit



Description	Order code
x 2 under valve size 2 x 3 inter island subbase x 2 under valve size 1 x 3 under solenoid pilot	P2M2K0JA

Bus head module without module adaptor



Description	Order code
Profibus DP	P2M2HBVP01600
DeviceNet	P2M2HBVD01600
CANopen	P2M2HBVC01600

Head Clip Covers



Description	Order code
Set of 10 clips cover for head P2M2HXT01	P2M2K0HA



Valve Pilot

Description	Order code
Solenoid pilot - 24 VDC	P2D8V32C5
Pneumatic pilot	P2M2K0PA

Valve size 1 module without solenoid & without subbase

Description	Order code
4/2 single solenoid valve	P2M1X4ES
4/2 double solenoid valve	P2M1X4EE
Double 3/2 NC/NC valve	P2M1XDEE
Double 3/2 NO/NO valve	P2M1XCEE
Double 3/2 NC/NO valve	P2M1XEEE
Single 3/2 NC valve	P2M1X3ES
4/3 CE = double 3/2 NC/NC valve without exhaust check valve	P2M1XGEE

Valve size 2 module without solenoid & without subbase

Description	Order code
4/2 single solenoid valve	P2M2X4ES
4/2 double solenoid valve	P2M2X4EE
Double 3/2 NC/NC valve	P2M2XDEE
Double 3/2 NO/NO valve	P2M2XCEE
Double 3/2 NC/NO valve	P2M2XEEE
Single 3/2 NC valve	P2M2X3ES
4/3 CE = double 3/2 NC/NC valve without exhaust check valve	P2M2XGEE

Isolation forks

Description	Order code
Set of 10 for solenoid pilot manual override	P2M2K0FA

PS1 Interface

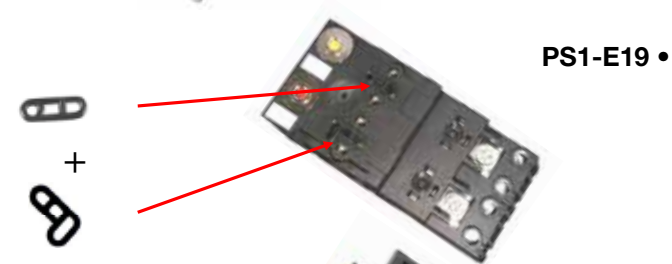
On Interface 3/2 or 4/2 single solenoid

Description	Order code
Batch of 20 seals between valve bodies and 15mm solenoid or PVA-P111 connector	PPR-V20
Batch of 100 O-ring seals for pressure and exhaust commons	PPR-L12



On Interface 4/2 double solenoid

Description	Order code
Batch of 25 seals type A coming between valve body and 1 solenoid +25 seals type B coming between valve body and the other solenoid	PPR-L13



On head interface

Description	Order code
DIN rail clip assembly	PPR-L09



PVL Inline Valves



Spare mounting and assembly kits

	Description	Valve size	Port size	Order code
	Kit for sealing the inlet/exhaust common gallery including : - 3 common blanking plugs - 2 drilled and threaded rods - 2 screws for extended tie rod	PVL-B		PVL-B1901
		PVL-C		PVL-C1901
	Pack of 10 common blanking	PVL-B		PVL-B1902
		PVL-C		PVL-C1902

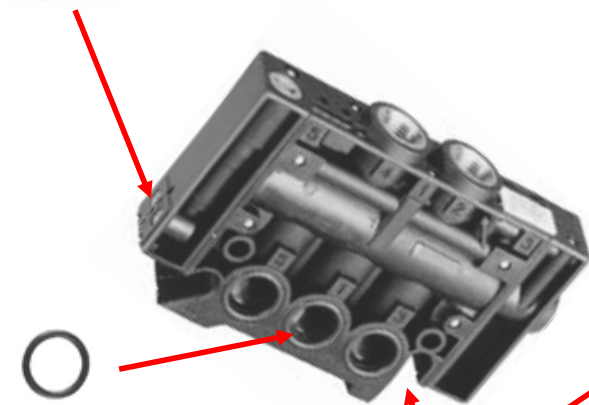
Spare set of solenoid mounting screws

Type	Material	Ø (mm)	Length (mm)	Order code
Metric	Steel, passivated	M3	26	P2E-KP026PM3*

* Sold by lot of 10 pieces

Valve series	Gaskets
PVL-A	PPR-L21 obsolete
PVL-B	PPR-V20
PVL-C	PPR-V20

Gaskets seal between pilot and valve body. Sold as one set of 20 gaskets.



Valve series	Cross rods
PVL-A	PPR-V31 obsolete
PVL-B	PPR-V21
PVL-C	PPR-V22

Used in valve stack mounting. Sold as 1 set of 10 cross rods.



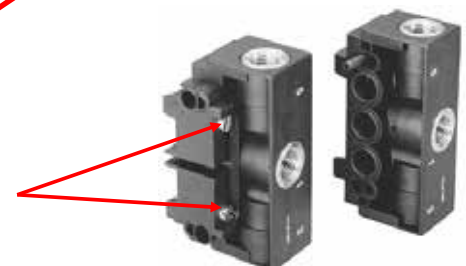
Valve series	O-ring
PVL-A	PPR-V30 obsolete
PVL-B	PPR-V23
PVL-C	PPR-V24

O-rings seal between stackable valve bodies. Sold as set of 30.

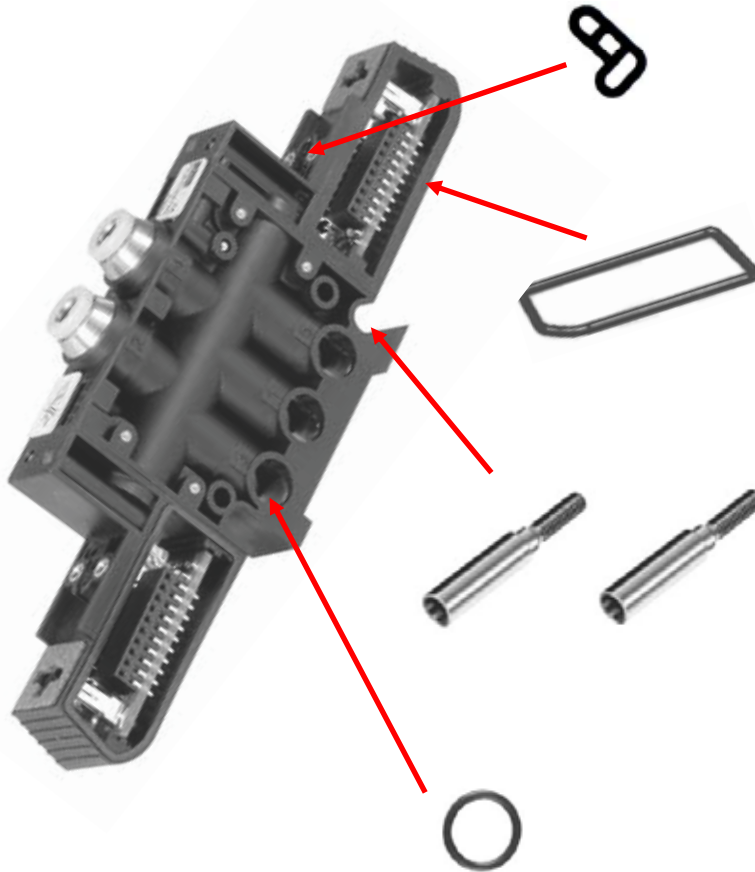


DIN rail clip assembly	PPR-L09
------------------------	---------

Assembly includes: clamp, screw and spring
Sold as set of 20.



PVLB10 & PVLC10 Valves



Valve series	O-rings
PVL-B10	PPR-V41
PVL-C10	PPR-V41

Gaskets seal between solenoid pilot and valve body. Sold as one set of 50 gaskets.

Valve series	O-rings
PVL-B10	PPR-V38
PVL-C10	PPR-L36 Obsolete

Connector gaskets provide protection for PC board and 20-Pin connector. PPRV38 sold as one set of 20 gaskets.

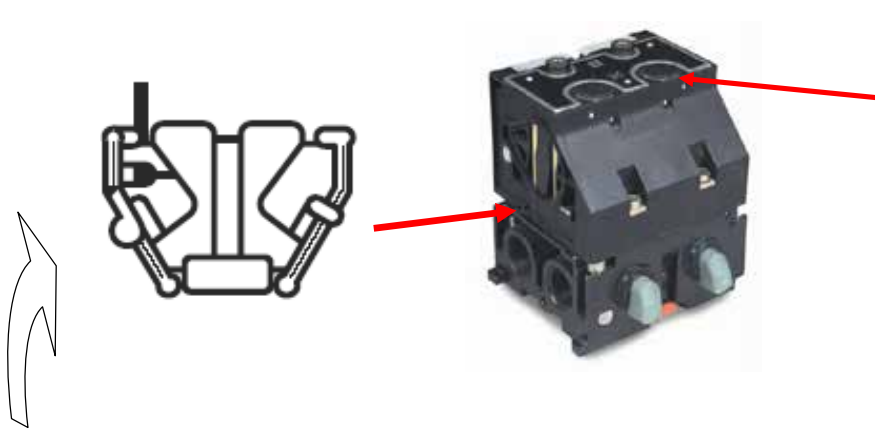
Valve series	Cross rods
PVL-B10	PPR-V21
PVL-C10	PPR-V22

Used in valve stack mounting. Sold as 1 set of 10 cross rods.

Valve series	O-rings
PVL-B10	PPR-V23
PVL-C10	PPR-V24

O-rings seal between stackable valve bodies. Sold in set of 30.

PVD Everdure Ceramic Valves



Set of 20 blanking plugs **PPR-V27**

Set of 20 gaskets for mounting between power valves and solenoid actuators **PPR-V20**

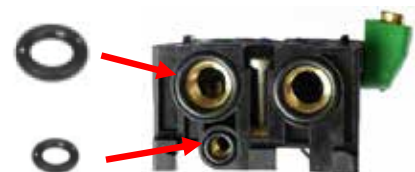
	Valve 4/2			Valve 3/2		Valve 2/2	
	Size 1/8	Size 1/4	Size 1/2	Size 1/4	Size 1/2	Size 1/4	Size 1/2
For mounting							
Between subbase	PVU-B14xx	PVU-C34xx	PVU-E14xx	PVU-C33xx	PVU-E13xx	PVU-C32xx	PVU-E12xx
and power valve	PVD-B14xx	PVD-C34xx	PVD-E24xx	PVS-C33xx	PVS-E23xx	PVP-C32xx	PVP-E22xx
Batch of 10 gaskets	PVR-V02	PVR-V28	PPR-V04	PPR-V29	PPR-V06	PPR-V29	PPR-V06

	Size 1/8	Size 1/4	Size 1/2
For mounting			
Between subbase	PVU-Bxxxx	PVU-Cxxxx	PVU-Exxxx
Batch of 30 O-ring	PVR-V07	PVR-V08	PPR-V09

20 O-ring seals for ports 1 and 3

+

10 O-ring seals for px port

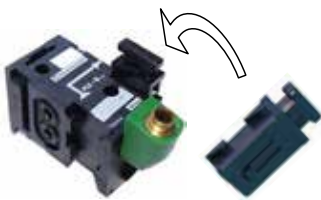


Logic Processing



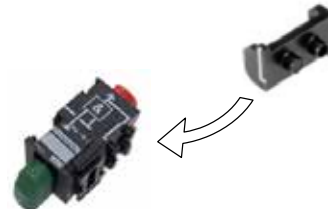
Inter module locks

Description	Order code
Batch of 50	PPR-L06
For components	
PLE-B12	PLL-B12
PLK-B12	PLN-B12



Circuit selectors for combinable logic elements

Description	Order code
Batch of 50	PPR-L10
For components	
PLL-B12	PLN-B12
PLK-B12	



O-rings for subbase mounted

Description	Order code
Batch of 100 (10 + 90)	PPR-L04
10 O-rings for port with filter	
90 O-rings for port without filter	
For components	
PLJ-C10	PLK-C10
PLN-D10	PLN-C10
PRF-A10	PLL-C10
PRT • • •	



Rail clamping components

Description	Order code
Batch of 20	PPR-L09
For components	
PSE-A12	



Exhaust filter

Description	Order code
Batch of 20	PPR-L20
For components	
PRT • • •	



Exhaust Filter

Input filter

O-rings for sequencer components and combinable logic elements

Description	Order code
Batch of 100	PPR-L11
10 O-rings for port with filter	
90 O-rings for port without filter	
For components	
PLL-B12	PLE-B12
PSB-A12	PSD-B12
PSE-A12	PLN-B12
	PLK-B12
	PSD-A12



Logic Processing

Plugs for 3 or 4 port subbases

Description	Order code
Batch of 50	PPR-L05



Inter module locks for 3 or 4 port subbases

Description	Order code
Batch of 50	PPR-L07

For components

PZU-A12	PZU-B12
PZU-C12	



Flat gaskets for step module and Interlock module

Description	Order code
Batch of 10	PPR-L01



For components

PSB-A12	PSM-A12
PSV-A12	

Flat gaskets for 4 port subbases

Description	Order code
Batch of 10	PPR-L02



For components

PZU-B12	PLM-A12
PRD-A12	

Clear plastic window

Description	Order code
Batch of 10	PPR-X01



For components

PXV-F • • • •

Mylar diaphragms for amplifier relays

Description	Order code
Batch of 10	PPR-L08

For components

PRD-A12	PRD-A12
----------------	----------------

PXB Control & Process Duty



PXB-B1XXX

PXB-B2XXX

Ø 4mm Instant straight connections



Normally non passing (NNP)



PXB-B1911

PXB-B2911

Normally passing (NP)



PXB-B1921

PXB-B2921

M5 thread connections



Normally non passing (NNP)



PXB-B1915

PXB-B2915

Normally passing (NP)



PXB-B1925

PXB-B2925

Ø 6mm Instant straight connections



Normally non passing (NNP)



PXB-B1916

PXB-B2916

Normally passing (NP)



PXB-B2926

Ø 4mm Instant swivel connections



Normally non passing (NNP)



PXB-B1912

PXB-B2912

Normally passing (NP)



PXB-B1922

PXB-B2922

Electrical switch bodies



Normally Open (NO)



ZB2-BE101

Normally Closed (NC)



ZB2-BE102

P2E Solenoid Operators

Spare Parts



P2E-XXXXXX

Used for :



+



50 + 50 Ref

: **PPR-L35**

DX01 / DX02



X20 Ref

: **PPR-V20**

PS1 (3/2) / PVL / PVD / P2V / P2L

X250 Ref

: **PPR-L18**



+



25 + 25 Ref

: **PPR-L13**

PS1 (4/2) / P25 / PVL-B10 / PVL-C10



X50 Ref

: **PPR-V41**

PS1 (4/2) / P2S / PVL-B10 / PLV-C10



X10 Ref

: **P2LXSK1**

P2L-A / P2LAX / P2LBX / P2LCX / P2LDX



Metric M3 26mm length (material : steel)

PS1 / PVL / PVD-B / DX01 / DX02

X10 Ref

: **P2E-KP026PM3**

Self tapping O3 26,2mm length (stainless steel)

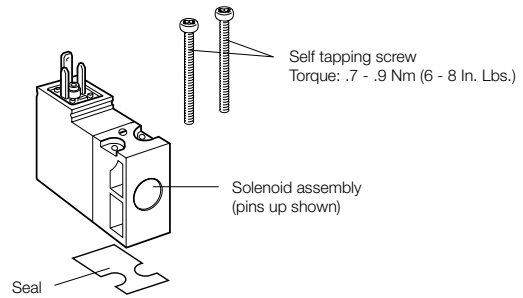
P2L-A / P2LAX / P2LBX / P2LCX / P2LDX

X10 Ref

: **P2E-KD027SS3**

15mm Solenoid Operators

Electrical connection EN175301-803 C/ISO15217 (Ex DIN 43650C)



(Note! Mounting screws included in basic valve)

Solenoids 15 mm NC, standard

	Voltage	Weight Kg	Order code Without manual override	Weight Kg	Order code Override, blue, non locking flush	Weight Kg	Order code Override, yellow, locking flush
	12 VDC	0,038	P2E-KV32B0	0,038	P2E-KV32B1	0,038	P2E-KV32B2
	24 VDC	0,038	P2E-KV32C0	0,038	P2E-KV32C1	0,038	P2E-KV32C2
	48 VDC	0,038	P2E-KV32D0	0,038	P2E-KV32D1	0,038	P2E-KV32D2
	24 VAC 50Hz	0,038	P2E-KV31C0	0,038	P2E-KV31C1	0,038	P2E-KV31C2
	48 VAC 50/60Hz	0,038	P2E-KV34D0	0,038	P2E-KV34D1	0,038	P2E-KV34D2
	115 VAC 50Hz/ 120 VAC 60Hz	0,038	P2E-KV31F0	0,038	P2E-KV31F1	0,038	P2E-KV31F2
	230 VAC 50Hz/ 240 VAC 60Hz	0,038	P2E-KV31J0	0,038	P2E-KV31J1	0,038	P2E-KV31J2
	Voltage			Weight Kg	Order code Override extended, blue, non locking flush	Weight Kg	Order code Override extended, yellow, locking flush
	24 VDC			0,038	P2E-KV32C3	0,038	P2E-KV32C4
	24 VAC 50Hz			0,038	P2E-KV31C3	0,038	P2E-KV31C4

Solenoids 15 mm NC, mobile

(Note! Mounting screws included in basic valve)

	Voltage	Weight Kg	Order code Without manual override	Weight Kg	Order code Override, blue, non locking flush
	12 VDC	0,038	P2E-MV35B0	0,038	P2E-MV35B1
	24 VDC	0,038	P2E-MV35C0	0,038	P2E-MV35C1
	37,5 VDC	0,038	P2E-MV35W0	0,038	P2E-MV35W1
	48 VDC	0,038	P2E-MV35D0	0,038	P2E-MV35D1
	72 VDC	0,038	P2E-MV35T0	0,038	P2E-MV35T1
	78 VDC	0,038	P2E-MV35Y0	0,038	P2E-MV35Y1
	96 VDC	0,038	P2E-MV35V0	0,038	P2E-MV35V1
	110 VDC	0,038	P2E-MV35E0	0,038	P2E-MV35E1

Solenoids 15 mm NC, food industry version

(Note! Mounting screws included in basic valve)

	Voltage	Weight Kg	Order code Without manual override	Weight Kg	Order code Override, blue, non locking flush	Weight Kg	Order code Override, yellow, locking flush
	24 VDC	0,038	P2E-QV32C0	0,038	P2E-QV32C1	0,038	P2E-QV32C2
	48 VDC	0,038	P2E-QV32D0	0,038	P2E-QV32D1	0,038	P2E-QV32D2
	24 VAC 50Hz	0,038	P2E-QV31C0	0,038	P2E-QV31C1	0,038	P2E-QV31C2
	48 VAC 50/60Hz	0,038	P2E-QV34D0	0,038	P2E-QV34D1	0,038	P2E-QV34D2
	115 V 50Hz/ 120 V 60Hz	0,038	P2E-QV31F0	0,038	P2E-QV31F1	0,038	P2E-QV31F2
	230 VAC 50Hz/ 240 VAC 60Hz	0,038	P2E-QV31J0	0,038	P2E-QV31J1	0,038	P2E-QV31J2
	Voltage			Weight Kg	Order code Override extended, blue, non locking flush	Weight Kg	Order code Override extended, yellow, locking flush
	24 VDC			0,038	P2E-QV32C3	0,038	P2E-QV32C4
	24 VAC 50Hz			0,038	P2E-QV31C3	0,038	P2E-QV31C4
	115 VAC 50 Hz			0,038	P2E-QV31F3	0,038	P2E-QV31F4
	230 VAC 50 Hz			0,038	P2E-QV31J3	0,038	P2E-QV31J4

In accordance with the EU Machine Directive, EN 983, solenoid valves with manual override should have spring-return operating arms for safety.

Solenoid Operators 22 mm

Solenoid coils for 22mm solenoid operators

Voltage	Order code Form A	Weight (Kg)	Order code Form B	Weight (Kg)
12V 60Hz			P2FCB440	0.093
24V 50/60Hz			P2FCB442	0.093
12V DC			P2FCB445	0.093
12V DC Mobile	P2FCA447	0.17	P2FCB447	0.093
24v DC Mobile	P2FCA448	0.17	P2FCB448	0.093
24V DC			P2FCB449	0.093
24V DC Low power			P2FCB249	0.093
48V DC			P2FCB451	0.093
110V/50Hz, 120V/60Hz			P2FCB453	0.093
230V/50Hz, 230V/60Hz			P2FCB457	0.093

Note: Mobile solenoids are only suitable for Viking Xtreme valves with 'H' specification having 0,8/1,0 operator type P2FP13H4D

Spare Solenoid Nuts

Valves requiring captured exhaust should be fitted with plastic knurled nut

Order code
P2FNP

Valves with vented exhaust are fitted with diffuser plastic nut

Order Code
P2FND

Spare Solenoid Operators

**Solenoid pilot operator 22mm NC, Normal duty
(Max Operating pressure 10bar, Temp -10°C to +50°C)**

Order code (with locking bi-stable m/o)	Weight Kg	Order code (with Non-locking monostable m/o)	Weight Kg
P2FP13N4C	0.05kg	P2FP13N4D	0.05kg

**Low power pilot operator NC, Normal duty
(Max Operating pressure 10bar, Temp -10°C to +50°C)**

Order code (with locking bi-stable m/o)	Weight Kg	Order code (with Non-locking monostable m/o)	Weight Kg
P2FP13N2C	0.05kg	P2FP13N2D	0.05kg

**Solenoid pilot operator 22mm NC, Xtreme duty
(Max Operating pressure 16bar, Temp -40°C to +60°C)**

Order code (with Non-locking monostable m/o)	Weight Kg
P2FP13H4D	0.05kg

Note.

Solenoid pilot operators are fitted to the Viking valve range.

Order the above part numbers for spares.

The operators are supplied with mounting screws and interface 'O' rings.

Coils and connectors must be ordered separately.

Solenoid Operators CNOMO

Solenoid coils with Din A or Industrial connection

Voltage	Order code Din A Standard 30 x 30	Weight (kg)	Order code Din A Mobile 30 x 30	Weight (kg)	Order code Industrial standard 22 x 30	Weight (kg)
Direct current						
12V DC	P2FCA445	0.105	P2FCA447	0.105	P2FCB445	0.093
24V DC	P2FCA449	0.105	P2FCA448	0.105	P2FCB449	0.093
48V DC	P2FCA453*	0.105	P2FCA474	0.105	P2FCB451	0.093
72V DC			P2FCA470	0.105		
96V DC			P2FCA471	0.105		
110V DC			P2FCA472	0.105		
Alternative current						
12V 50/60Hz	P2FCA440	0.105			P2FCB440	0.093
24V 50/60Hz	P2FCA442	0.105			P2FCB442	0.093
48V 50/60Hz	P2FCA469#	0.105				
110V 50Hz, 120V 60Hz	P2FCA453	0.105			P2FCB453	0.093
230V 50Hz, 230V 60Hz	P2FCA457	0.105			P2FCB457	0.093

* P2FCA453 is compatible with 110 V AC and 48 V DC

P2FCA469 is 24 V DC 6.8W or 48 V 50Hz 9.9 VA

Solenoid coils with M12 connection

Voltage	Order code 30 x 30	Weight (kg)	Order code 22 x 30	Weight (kg)
Direct current				
24V DC	P2FC6419	0.065	P2FC7419	0.065

Spare Solenoid Nuts

Valves requiring captured exhaust should be fitted with plastic knurled nut

Order code
P2FNP

Valves with vented exhaust are fitted with diffuser plastic nut

Order Code
P2FND

Spare Solenoid Operators

Solenoid pilot operator CNOMO NC

Description	Order code No manual override	Weight (kg)	Order code Non-lock manual override	Weight (kg)	Order code Locking manual override	Weight (kg)
Standard duty	P2FP23N4A	0.065	P2FP23N4B	0.065	P2FP23N4C	0.065
Mobile metal	P2FP43M4A	0.1	P2FP43M4B	0.1	P2FP43M4C	0.1

Note.

The operators are supplied with mounting screws and interface 'O' rings.

Coils and connectors must be ordered separately.



Air Preparation & Airline Accessories

Moduflex FRLs



P3H - Filters / Filter Regulator

Service kits

Description	Order code
5 micron element kit	P3HKA00ESE

Coalescing Filters + Adsorbers

Description	Order code
0.01 micron coalescing element kit	P3HKA00ESC
Adsorber element kit	P3HKA00ESA

Service kits

Description	Order code
Connector O'ring spares kit (pk of 5)	P3HKA02CY
Metal Clip retainer kit (pk of 10)	P3HKA00CJ

P3K - Filters / Filter Regulator

Service kits

Description	Order code
5 micron element kit	P3KKA00ESE
40 micron element kit	P3KKA00ESG

Coalescing Filters + Adsorbers

Description	Order code
0.01 micron coalescing element kit	P3KKA00ESC
Adsorber element kit	P3KKA00ESA

Service kits

Description	Order code
Connector O'ring spares kit (pk of 5)	P3KKA04CY
Metal Clip retainer kit (pk of 10)	P3KKA00CJ

P3M - Filters / Filter Regulator

Service kits

Description	Order code
5 micron element kit	P3MKA00ESE

Coalescing Filters + Adsorbers

Description	Order code
0.01 micron coalescing element kit	P3MKA00ESC
Adsorber element kit	P3MKA00ESA

Service kits

Description	Order code
Connector O'ring spares kit (pk of 5)	P3MKA08CY
Metal Clip retainer kit (pk of 10)	P3MKA00CJ

Modular Hi Flow FRLs



Filters

Filter Element Kits

Description	Order code
5 Micron element	P3NKA00ESE
40 Micron element	P3NKA00ESG

Filter Spare Kits

Description	Order code
Manual drain kit	P3E-KA00DBN
Auto drain kit	P3E-KA00DDN

Filter Regulators

Filter/Regulator Spare Kits

Description	Order code
5 Micron element	P3NKA00ESE
40 Micron element	P3NKA00ESG
Repair kit (self-relieving)	P3NKA00RR
Repair kit (non-relieving)	P3NKA00RN

Regulators

Regulator Spare Kits

Description	Order code
Repair kit (self-relieving)	P3NKA00RR
Repair kit (non-relieving)	P3NKA00RN

Coalescing Filters

Filter Element Kits

Description	Order code
Coalescing element	P3NKA00ESC
Adsorber element	P3NKA00ESA

Global FRLs

Mini Particulate Filter P31

Repair and Service Kits

Plastic bowl / Bowl guard manual drain	P31KA00BGM
Metal bowl / w/o sight gauge manual drain	P31KA00BMM
Plastic bowl / Bowl guard pulse drain	P31KA00BGB
Metal bowl / w/o sight gauge pulse drain	P31KA00BMB
5µ particle filter element	P31KA00ESE
C-Bracket (fits to body)	P31KA00MW

Standard Particulate Filter P33

Repair and Service Kits

Plastic bowl / Bowl guard manual drain	P33KA00BGM
Metal bowl / Sight gauge manual drain	P33KA00BSM
Auto drain	P32KA00DA
5µ particle filter element	P33KA00ESE

Compact Coalescing and Adsorber Filter P32

Repair and Service Kits

Plastic bowl / Bowl guard manual drain	P32KA00BGM
Metal bowl / Sight gauge manual drain	P32KA00BSM
Auto drain	P32KA00DA
1µ coalescing filter element	P32KA00ES9
0.01µ coalescing filter element	P32KA00ESC
Activated carbon adsorber filter element	P32KA00ESA
Differential pressure indicator (replacement)	P32KA00RQ

Mini Regulator P31

Repair and Service Kits

Regulator repair kit - Relieving	P31KA00RB
Regulator repair kit - Non-relieving	P31KA00RC

Compact Regulator P32

Repair and Service Kits

Regulator repair kit - Relieving	P32KA00RB
Regulator repair kit - Non-relieving	P32KA00RC

Compact Particulate Filter P32

Repair and Service Kits

Plastic bowl / Bowl guard manual drain	P32KA00BGM
Metal bowl / Sight gauge manual drain	P32KA00BSM
Auto drain	P32KA00DA
5µ particle filter element	P32KA00ESE

Mini Coalescing and Adsorber Filters P31

Repair and Service Kits

Plastic bowl / Bowl guard manual drain	P31KA00BGM
Metal bowl / w/o sight gauge manual drain	P31KA00BMM
Plastic bowl / Bowl guard pulse drain	P31KA00BGB
Metal bowl / w/o sight gauge pulse drain	P31KA00BMB
1µ coalescing filter element	P31KA00ES9
0.01µ coalescing filter element	P31KA00ESC
Activated carbon adsorber filter element	P31KA00ESA

Standard Coalescing and Adsorber Filter P33

Repair and Service Kits

Plastic bowl / Bowl guard manual drain	P33KA00BGM
Metal bowl / Sight gauge manual drain	P33KA00BSM
Auto drain	P32KA00DA
1µ coalescing filter element	P33KA00ES9
0.01µ coalescing filter element	P33KA00ESC
Activated carbon adsorber filter element	P33KA00ESA
Differential pressure indicator (replacement)	P32KA00RQ

Mini Common - P1 Regulator P31

Repair and Service Kits

Regulator repair kit - Relieving	P31KA00RB
Regulator repair kit - Non-relieving	P31KA00RC

Compact Common P1 Regulator P32

Repair and Service Kits

Regulator repair kit - Relieving	P32KA00RB
Regulator repair kit - Non-relieving	P32KA00RC

Global FRLs

Standard Regulator P33

Repair and Service Kits

Regulator repair kit - Relieving	P33KA00RB
Regulator repair kit - Non-relieving	P33KA00RC

Compact Filter / Regulator P32

Repair and Service Kits

Plastic bowl / Bowl guard manual drain	P32KA00BGM
Metal bowl / Sight gauge manual drain	P32KA00BSM
Auto drain	P32KA00DA
5µ particle filter element	P32KA00ESE
Regulator repair kit - Relieving	P32KA00RB
Regulator repair kit - Non-relieving	P32KA00RC

Mini Lubricator - P31

Repair and Service Kits

Plastic bowl / Bowl guard no drain	P31KA00BGN
Metal bowl / w/o sight gauge no drain	P31KA00BSN
Drip control assembly	P31KA00PG
Lubricator Oil - VG15:ISO 3448 - 100ml	P3XKA00PPA
Lubricator Oil - VG32 - 1 litre	P3YKA00PPBB

Standard Lubricator - P33

Repair and Service Kits

Plastic bowl / Bowl guard no drain	P33KA00BGN
Metal bowl / Sight gauge no drain	P33KA00BSN
Drip control assembly	P32KA00PG
Lubricator Oil - VG15:ISO 3448 - 100ml	P3XKA00PPA
Lubricator Oil - VG32 - 1 litre	P3YKA00PPBB

Mini Filter / Regulator P31

Repair and Service Kits

Plastic bowl / Bowl guard manual drain	P31KA00BGM
Metal bowl / w/o sight gauge manual drain	P31KA00BMM
Plastic bowl / Bowl guard pulse drain	P31KA00BGB
Metal bowl / w/o sight gauge pulse drain	P31KA00BMB
5µ particle filter element	P31KA00ESE
Regulator repair kit - Relieving	P31KA00RB
Regulator repair kit - Non-relieving	P31KA00RC

Standard Filter / Regulator P33

Repair and Service Kits

Plastic bowl / Bowl guard manual drain	P33KA00BGM
Metal bowl / Sight gauge manual drain	P33KA00BSM
Auto drain	P33KA00DA
5µ particle filter element	P33KA00ESE
Regulator repair kit - Relieving	P33KA00RB
Regulator repair kit - Non-relieving	P33KA00RC

Compact Lubricator - P32

Repair and Service Kits

Plastic bowl / Bowl guard no drain	P32KA00BGN
Metal bowl / Sight gauge no drain	P32KA00BSN
Drip control assembly	P32KA00PG
Lubricator Oil - VG15:ISO 3448 - 100ml	P3XKA00PPA
Lubricator Oil - VG32 - 1 litre	P3YKA00PPBB

Spare Solenoid Operators

Solenoid pilot operator CNOMO NC

Description	Order code	Weight (Kg)
	Non-lock manual override	
Standard duty	P2FP23N4B	0.065

Note.

Solenoid pilot operators are fitted to the Global range.
Order the above part numbers for spares.
The operators are supplied with mounting screws and interface 'O' rings.
Coils and connectors must be ordered separately.

Spare Solenoid Nuts

Valves requiring captured exhaust should be fitted with plastic knurled nut

Order code

P2FNP

Valves with vented exhaust are fitted with diffuser plastic nut

Order code

P2FND

P3L FRLs



Filters

Repair and Service kits

Description	Order code
Plastic bowl / semi auto drain	P3LKA00BPS
5µ particle filter element	P3LKA00ESE
40µ particle filter element	P3LKA00ESG
Individual mounting bracket - P3LFA / P3LLA	P3LKA00MW

Regulators

Repair and Service kits

Description	Order code
Panel mount nut - Aluminium	P3LKA00MM
Panel mount nut - Plastic	P3LKA00MP
Angle bracket (uses panel mount threads)	P3LKA00MR

Lubricators

Repair and Service kits

Description	Order code
Plastic bowl - no drain	P3LKA00BPN
Lubricator Oil - VG32 - 1 litre	P3YKA00PPBB

Coalescing / Adsorber Filters

Repair and Service kits

Description	Order code
Plastic bowl / manual push drain Coalescing	P3LKA00BPP1
Plastic bowl / manual push drain Adsorber	P3LKA00BPP2
0.01µ coalescing filter element	P3LKA00ESC
Activated carbon adsorber filter element	P3LKA00ESA
Individual mounting bracket - P3LFA / P3LLA	P3LKA00MW

Filter Regulators

Repair and Service kits

Description	Order code
Plastic bowl / semi auto drain	P3LKA00BPS
5µ particle filter element	P3LKA00ESE
40µ particle filter element	P3LKA00ESG
Panel mount nut - Aluminium	P3LKA00MM
Panel mount nut - Plastic	P3LKA00MP
Angle bracket (uses panel mount threads)	P3LKA00MR

P3X FRLs



Filters

Service kits

Description	Order code
5 micron element kit	P3XKA00ESE
40 micron element kit	P3XKA00ESG
Bowl kit with combines manual/semi auto drain	P3XKA00BSC
Bowl kit with auto drain	P3XKA00BSA
1 micron element kit	P3XKA00ES9

Adsorbers

Service kits

Description	Order code
Adsorber element kit	P3XKA00ESA
Bowl kit with manual drain	P3XKA00BSC

Regulators

Service kits

Description	Order code
Diaphragm kit (relieving type)	P3XKA00RR
Diaphragm kit (non-relieving type)	P3XKA00RN

Coalescing Filters

Service kits

Description	Order code
0.01 micron coalescing element kit	P3XKA00ESC
Bowl kit with combines manual/semi auto drain	P3XKA00BSC
Bowl kit with auto drain	P3XKA00BSA
Differential pressure indicator kit	P3XKA00RQ

Filter Regulators

Service kits

Description	Order code
5 micron element kit	P3XKA00ESE
40 micron element kit	P3XKA00ESG
Bowl kit with combined manual/semi auto drain	P3XKA00BSC
Bowl kit with auto drain	P3XKA00BSA
Diaphragm kit (relieving type)	P3XKA00RR
Diaphragm kit (non-relieving type)	P3XKA00RN

Lubricators

Service kits

Description	Order code
Bowl kit	P3XKA00BSN
Refill plug	P3XKA00PL
Oil VG15 - 100 ml	P3XKA00PPA

P3Y FRLs



Filters

Service kits

Description	Order code
5 micron element kit	P3YKA00ESE
40 micron element kit	P3YKA00ESG
Bowl kit with combined manual/semi auto drain	P3YKA00BSC
Bowl kit with auto drain	P3YKA00BSA

Coalescing Filters

Service kits

Description	Order code
0.01 micron coalescing element kit	P3YKA00ESC
Bowl kit with combined manual/semi auto drain	P3YKA00BSC
Bowl kit with auto drain	P3YKA00BSA
Differential pressure indicator kit	P3YKA00RQ

Regulators

Service kits

Description	Order code
Diaphragm kit (relieving type)	P3YKA00RR
Diaphragm kit (non-relieving type)	P3YKA00RN

Lubricators

Service kits

Description	Order code
Bowl kit	P3YKA00BSN
Refill plug	P3YKA00PL
Lubricator Oil	P3YKA00PPBB

Dust Filters

Service kits

Description	Order code
1 micron coalescing element kit	P3YKA00ES9
Bowl kit with combined manual/semi auto drain	P3YKA00BSC
Bowl kit with auto drain	P3YKA00BSA

Adsorbers

Service kits

Description	Order code
Adsorber element kit	P3YKA00ESA
Bowl kit with manual / semi-auto drain	P3YKA00BSC

Filter Regulators

Service kits

Description	Order code
5 micron element kit	P3YKA00ESE
40 micron element kit	P3YKA00ESG
Bowl kit with combined manual/semi auto drain	P3YKA00BSC
Bowl kit with auto drain	P3YKA00BSA
Diaphragm kit (relieving type)	P3YKA00RR
Diaphragm kit (non-relieving type)	P3YKA00RN

P3Z FRLs



Filters / Dust Filters

Service kits

Description	Order code
5 micron element kit	P3ZKA00ESE
40 micron element kit	P3ZKA00ESG
1 micron element kit	P3ZKA00ES9

Coalescing / Adsorber Filters

Service kits

Description	Order code
0.01 micron coalescing element kit	P3ZKA00ESC
Adsorber element kit	P3ZKA00ESA
Differential pressure indicator kit	P3ZKA00RQ

Regulator / Pilot Regulator

Service kits

Description	Order code
Diaphragm kit (relieving type)	P3ZKA00RR

Lubricators

Service kits

Description	Order code
Drip control housing	P3ZKA00PG

High Flow Precision Regulators



R210 / R220 Regulator Kits & Accessories

Mounting Bracket Kits

- Pipe Mounting **SA200YW57**
- Right Angle Mounting **446-707-045**

Service Kits

- 0.13 to 2.7 bar **RKR210A**
- 0.13 to 8.2 bar **RKR210C**
- 0.13 to 8.2 bar (High Relieving)..... **RKR220C**

R230 Regulator Kits & Accessories

- Mounting Bracket Kit **446-707-025**

Service Kits – Relieving

- 0 to 0.13 bar **RKR230E**
- 0 to 2 bar **RKR230B**
- 0 to 4 bar **RKR230C**
- 0 to 10 bar **RKR230D**

PXP Two Hand Safety Control Units



Spare parts for two-hand control units

Description	Base component	Order code
1 guard for two-hand control	PXP-C111 PXP-D121	PPR-L15
1 set of 50 spring retaining clips		PPR-W01
1 guard for two hand control		PPR-L15
Control module		PXP-A11
Push button Black		ZB4-BR2
Push button Green		ZB4-BR3
Push button Red		ZB4-BR4

* These units are indispensable for ensuring that both operator's hands are occupied for reasons of safety. Both push-buttons must be operated simultaneously to produce an output signal.

** Conforming to french standard NFE 09-036 " Pneumatic synchronous two-hand controls".

Parker Worldwide

Europe, Middle East, Africa

AE – United Arab Emirates, Dubai
Tel: +971 4 8127100
parker.me@parker.com

AT – Austria, Wiener Neustadt
Tel: +43 (0)2622 23501-0
parker.austria@parker.com

AT – Eastern Europe, Wiener Neustadt
Tel: +43 (0)2622 23501 900
parker.easteurope@parker.com

AZ – Azerbaijan, Baku
Tel: +994 50 2233 458
parker.azerbaijan@parker.com

BE/LU – Belgium, Nivelles
Tel: +32 (0)67 280 900
parker.belgium@parker.com

BG – Bulgaria, Sofia
Tel: +359 2 980 1344
parker.bulgaria@parker.com

BY – Belarus, Minsk
Tel: +48 (0)22 573 24 00
parker.poland@parker.com

CH – Switzerland, Etoy
Tel: +41 (0)21 821 87 00
parker.switzerland@parker.com

CZ – Czech Republic, Klecany
Tel: +420 284 083 111
parker.czechrepublic@parker.com

DE – Germany, Kaarst
Tel: +49 (0)2131 4016 0
parker.germany@parker.com

DK – Denmark, Ballerup
Tel: +45 43 56 04 00
parker.denmark@parker.com

ES – Spain, Madrid
Tel: +34 902 330 001
parker.spain@parker.com

FI – Finland, Vantaa
Tel: +358 (0)20 753 2500
parker.finland@parker.com

FR – France, Contamine s/Arve
Tel: +33 (0)4 50 25 80 25
parker.france@parker.com

GR – Greece, Athens
Tel: +30 210 933 6450
parker.greece@parker.com

HU – Hungary, Budaörs
Tel: +36 23 885 470
parker.hungary@parker.com

IE – Ireland, Dublin
Tel: +353 (0)1 466 6370
parker.ireland@parker.com

IL – Israel
Tel: +39 02 45 19 21
parker.israel@parker.com

IT – Italy, Corsico (MI)
Tel: +39 02 45 19 21
parker.italy@parker.com

KZ – Kazakhstan, Almaty
Tel: +7 7273 561 000
parker.easteurope@parker.com

NL – The Netherlands, Oldenzaal
Tel: +31 (0)541 585 000
parker.nl@parker.com

NO – Norway, Asker
Tel: +47 66 75 34 00
parker.norway@parker.com

PL – Poland, Warsaw
Tel: +48 (0)22 573 24 00
parker.poland@parker.com

PT – Portugal
Tel: +351 22 999 7360
parker.portugal@parker.com

RO – Romania, Bucharest
Tel: +40 21 252 1382
parker.romania@parker.com

RU – Russia, Moscow
Tel: +7 495 645-2156
parker.russia@parker.com

SE – Sweden, Spånga
Tel: +46 (0)8 59 79 50 00
parker.sweden@parker.com

SL – Slovenia, Novo Mesto
Tel: +386 7 337 6650
parker.slovenia@parker.com

TR – Turkey, Istanbul
Tel: +90 216 4997081
parker.turkey@parker.com

UA – Ukraine, Kiev
Tel: +48 (0)22 573 24 00
parker.poland@parker.com

UK – United Kingdom, Warwick
Tel: +44 (0)1926 317 878
parker.uk@parker.com

ZA – South Africa, Kempton Park
Tel: +27 (0)11 961 0700
parker.southafrica@parker.com

North America

CA – Canada, Milton, Ontario
Tel: +1 905 693 3000

US – USA, Cleveland
Tel: +1 216 896 3000

Asia Pacific

AU – Australia, Castle Hill
Tel: +61 (0)2-9634 7777

CN – China, Shanghai
Tel: +86 21 2899 5000

HK – Hong Kong
Tel: +852 2428 8008

IN – India, Mumbai
Tel: +91 22 6513 7081-85

JP – Japan, Tokyo
Tel: +81 (0)3 6408 3901

KR – South Korea, Seoul
Tel: +82 2 559 0400

MY – Malaysia, Shah Alam
Tel: +60 3 7849 0800

NZ – New Zealand, Mt Wellington
Tel: +64 9 574 1744

SG – Singapore
Tel: +65 6887 6300

TH – Thailand, Bangkok
Tel: +662 186 7000

TW – Taiwan, Taipei
Tel: +886 2 2298 8987

South America

AR – Argentina, Buenos Aires
Tel: +54 3327 44 4129

BR – Brazil, Sao Jose dos Campos
Tel: +55 800 727 5374

CL – Chile, Santiago
Tel: +56 2 623 1216

MX – Mexico, Toluca
Tel: +52 72 2275 4200

European Product Information Centre

Free phone: 00 800 27 27 5374

(from AT, BE, CH, CZ, DE, DK, EE, ES, FI, FR, IE, IL, IS, IT, LU, MT, NL, NO, PL, PT, RU, SE, SK, UK, ZA)

Parker Hannifin Ltd.
Tachbrook Park Drive
Tachbrook Park,
Warwick, CV34 6TU
United Kingdom
Tel.: +44 (0) 1926 317 878
Fax: +44 (0) 1926 317 855
parker.uk@parker.com
www.parker.com

