

GR-Series

Guide Rail System

Liberty Pumps®

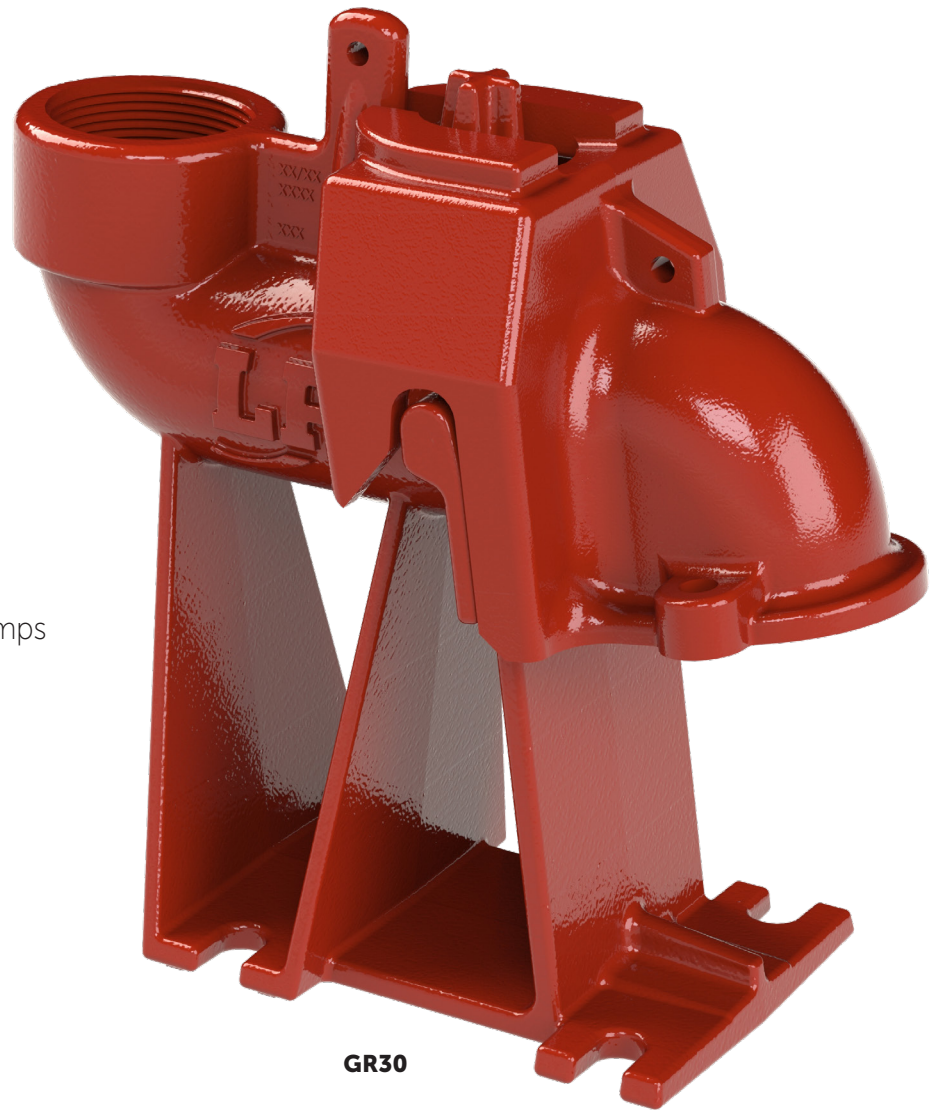
A Family and Employee Owned Company

Features

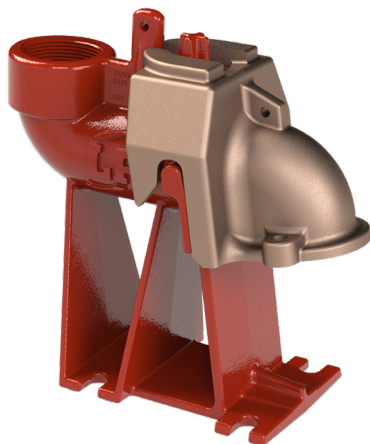
- 2" or 3" Discharge FNPT
- Heavy cast iron construction
- Rugged one rail design with auto-guide feature
- 1-1/4" Guide pipe FNPT (guide rail pipe not included)
- Heavy-duty nitrile sealing grommet
- Upper cast iron rail support bracket provided
- Powder coated for corrosion resistance

Models Available For

FL, LE, LEH, PRG, and X-Series Pumps



GR30



GR30NS

"NS" non-sparking models feature a bronze claw for installation in hazardous locations and fitment with X-Series pumps.

innovate. evolve.

GR-Series

Specifications

Material: Class 25 Gray Cast Iron (Bronze claw on "NS" models)

Weight: GR22 – 38 lbs GR30 – 46 lbs

Seal: Heavy-Duty Nitrile

Rail Size: 1-1/4" (Not Included)

Discharge: GR22 - 2" Female NPT, GR30 - 3" Female NPT

Maximum Pump Weight: 350 lbs

Upper Rail Support: Class 25 Gray Cast Iron

Rail Support Bolts: Stainless Steel

Models

MODEL	DISCHARGE	SERIES
*GR22-FL	2"	FL50, FL60, FL70, FL100, FL150, FL200
*GR22NS-FL	2"	XFL50, XFL70, XFL100, XFL150
*GR22-LE	2"	LE70, LE100, LEH100, LEH150, LEH200
*GR22NS-LE	2"	XLE50, XLE70, XLE100, XLE150
GR22-S	2"	LE40, LE50, PRG
GR30	3"	LE70, LE100, LEH100, LEH150, LEH200
GR30NS	3"	XLE50, XLE70, XLE100, XLE150

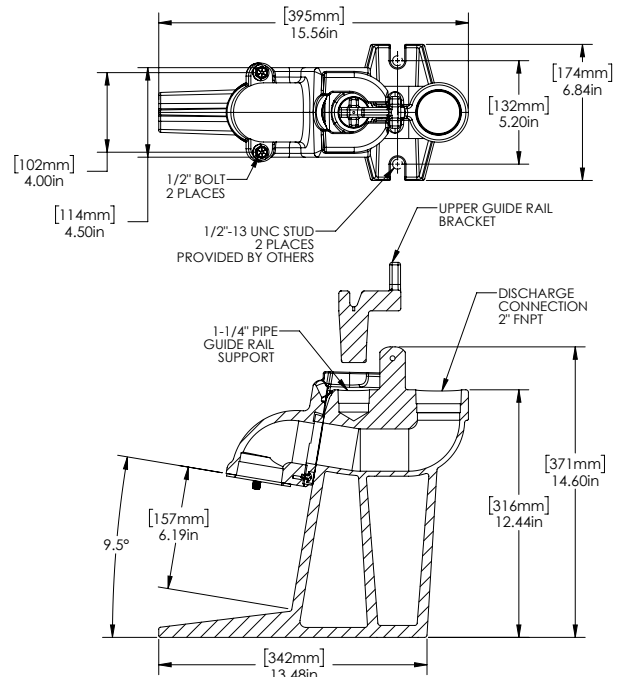
*2" Internal female thread on pump mating claw allows for mounting to other Liberty Pumps models and models from other manufacturers.

GR22-S

Split pump claw allows fitment to PRG, LE40 and LE50-Series



Dimensional Data – GR22 – 2"



Dimensional Data – GR30 – 3"

