

Type 8691

Control Head
Steuerkopf
Tête de commande



Operating Instructions

Bedienungsanleitung
Manuel d'utilisation

We reserve the right to make technical changes without notice.
Technische Änderungen vorbehalten.
Sous réserve de modifications techniques.

© Bürkert Werke GmbH & Co. KG, 2017

Operating Instructions 1706 / 0080 / Original DE

Control head Type 8691

TABLE OF CONTENTS

1	OPERATING INSTRUCTIONS.....	7
1.1	Symbols	7
1.2	Definition of term / abbreviation	7
2	AUTHORIZED USE	8
2.1	Restrictions	8
3	BASIC SAFETY INSTRUCTIONS.....	9
4	GENERAL INFORMATION.....	10
4.1	Contact address	10
4.2	Warranty	10
4.3	Trademarks	10
4.4	Information on the internet.....	10
5	SYSTEM DESCRIPTION	11
5.1	Configuration and function.....	11
5.1.1	Control head for integrated installation on the 21xx series	11
5.1.2	Model for control of process valves belonging to the 20xx series.....	12
6	TECHNICAL DATA.....	13
6.1	Conformity	13
6.2	Standards.....	13
6.3	Licenses.....	13
6.4	Operating conditions	13
6.5	Mechanical data.....	13
6.6	Type labels.....	14
6.6.1	Type label standard.....	14
6.6.2	UL Type label.....	14
6.6.3	UL additional label.....	14
6.7	Pneumatic data	15

6.8	Electrical data	15
6.8.1	Electrical data without bus control 24 V DC	15
6.8.2	Electrical data with AS-Interface bus control	15
6.8.3	Electrical data with DeviceNet bus control	16
7	INSTALLATION	17
7.1	Safety instructions	17
7.2	Installing the control head Type 8691 on process valves belonging to series 21xx.....	17
7.3	Installing the control head Type 8691 on process valves belonging to series 20xx.....	21
7.4	Rotating the actuator module	24
7.5	Rotating the control head for process valves belonging to series 20xx	26
8	PNEUMATIC INSTALLATION	27
9	ELECTRICAL INSTALLATION 24 V DC.....	28
9.1	Safety instructions	28
9.2	Electrical installation with cable gland.....	28
9.3	Electrical installation with circular plug-in connector.....	30
9.4	Teach function (calibrating the end positions)	30
9.5	Display elements 24 V DC	32
9.5.1	LED status display.....	32
9.5.2	Device status display - assignment of the Top LEDs	33
9.5.3	Change assignment of the Top LEDs (device status)	34
10	AS-INTERFACE INSTALLATION	36
10.1	AS-Interface connection	36
10.2	Technical data for AS-Interface PCBs	36
10.3	Programming data.....	36
10.4	Electrical installation AS-Interface	37
10.4.1	Safety instructions.....	37
10.4.2	Connection with circular plug-in connector M12x1, 4-pole, male	37
10.4.3	Connection with multi-pole cable and ribbon cable terminal.....	38
10.5	Teach function (calibrating the end position).....	39

10.6	Display elements AS-Interface	41
10.6.1	LED status display.....	41
10.6.2	Device status - assignment of the LEDs.....	42
10.6.3	Change assignment of the Top LEDs (device status).....	43
11	DEVICENET	45
11.1	Definition	45
11.2	Technical data	45
11.3	Maximum line lengths	45
11.3.1	Total line length according to DeviceNet specification.....	45
11.3.2	Drop line length.....	46
11.4	Safety setting if the bus fails	46
11.5	Interfaces	46
11.6	Electrical connection DeviceNet	46
11.6.1	Safety instructions.....	46
11.6.2	Configuration of the PCB DeviceNet.....	47
11.6.3	Bus connection (circular connector M12 x 1, 5-pole, male).....	47
11.7	Terminating circuit for DeviceNet systems	47
11.8	Network topology of a DeviceNet system	48
11.9	Configuring the control head	48
11.9.1	DIP switches.....	48
11.10	Configuration of the process data	51
11.11	Configuration of the safety position of pilot valves for bus error	52
11.12	Teach function (calibrating the end position)	53
11.12.1	Starting the teach function.....	55
11.13	Display elements DeviceNet	55
11.13.1	LED status display.....	55
11.13.2	Function test of the status LEDs.....	56
11.13.3	Device status - assignment of the LEDs.....	57
11.13.4	Status LED yellow.....	58
12	SAFETY POSITIONS	59
13	MAINTENANCE	60

13.1	Service at the air intake filter	60
14	DISASSEMBLY	61
14.1	Safety instructions	61
14.2	Disassembly the control head	61
15	ACCESSORIES	63
15.1	Communications software	63
15.2	USB interface.....	63
15.3	Download	63
16	PACKAGING AND TRANSPORT	64
17	STORAGE.....	64
18	DISPOSAL	64

1 OPERATING INSTRUCTIONS

The operating instructions describe the entire life cycle of the device. Keep these instructions in a location which is easily accessible to every user, and make these instructions available to every new owner of the device.

Important safety information.

Failure to observe these instructions may result in hazardous situations.

- ▶ The operating instructions must be read and understood.

1.1 Symbols



DANGER!

Warns of an immediate danger.

- ▶ Failure to observe the warning will result in a fatal or serious injury.



WARNING!

Warns of a potentially dangerous situation.

- ▶ Failure to observe the warning may result in serious injuries or death.



CAUTION!

Warns of a possible danger.

- ▶ Failure to observe this warning may result in a moderate or minor injury.

NOTE!

Warns of damage to property.

- ▶ Failure to observe the warning may result in damage to the device or the equipment.



Indicates important additional information, tips and recommendations.



refers to information in these operating instructions or in other documentation.

- ▶ Designates an instruction to prevent risks.

→ Designates a procedure which you must carry out.

1.2 Definition of term / abbreviation

The term “device” used in these instructions always stands for the control head Type 8691.

In these instructions, the abbreviation “Ex” always refers to “potentially explosive”.

2 AUTHORIZED USE

Non-authorized use of the control head Type 8691 may be a hazard to people, nearby equipment and the environment.

The device is designed to be mounted on pneumatic actuators of process valves for the control of media.

- ▶ In the potentially explosion-risk area the control head Type 8691 may be used only according to the specification on the separate approval sticker. For use observe the additional instructions enclosed with the device together with safety instructions for the explosion-risk area.
- ▶ Devices without a separate approval sticker may not be used in a potentially explosive area.
- ▶ Do not expose the device to direct sunlight.
- ▶ Use according to the authorized data, operating conditions and conditions of use specified in the contract documents and operating instructions. These are described in the chapter entitled "[6 Technical data](#)".
- ▶ The device may be used only in conjunction with third-party devices and components recommended and authorized by Bürkert.
- ▶ In view of the large number of options for use, before installation, it is essential to study and if necessary to test whether the control head is suitable for the actual use planned.
- ▶ Correct transportation, correct storage and installation and careful use and maintenance are essential for reliable and faultless operation.
- ▶ Use the control head Type 8691 only as intended.

2.1 Restrictions

If exporting the system/device, observe any existing restrictions.

3 BASIC SAFETY INSTRUCTIONS

These safety instructions do not make allowance for any

- contingencies and events which may arise during the installation, operation and maintenance of the devices.
- local safety regulations – the operator is responsible for observing these regulations, also with reference to the installation personnel.



DANGER!

Risk of injury from high pressure in the equipment/device.

- ▶ Before working on equipment or device, switch off the pressure and deaerate/drain lines.

Risk of electric shock.

- ▶ Before working on equipment or device, switch off the power supply and secure to prevent reactivation.
- ▶ Observe applicable accident prevention and safety regulations for electrical equipment.

General hazardous situations.

To prevent injury, ensure:

- ▶ That the system cannot be activated unintentionally.
- ▶ Installation and repair work may be carried out by authorized technicians only and with the appropriate tools.
- ▶ After an interruption in the power supply or pneumatic supply, ensure that the process is restarted in a defined or controlled manner.
- ▶ The device may be operated only when in perfect condition and in consideration of the operating instructions.
- ▶ The general rules of technology apply to application planning and operation of the device.

To prevent damage to property on the device, ensure:

- ▶ Do not feed any aggressive or flammable media into the pilot air port.
- ▶ Do not feed any liquids into the pilot air port.
- ▶ When unscrewing and screwing in the body casing or the transparent cap, do not hold the actuator of the process valve but the connection housing of Type 8691.
- ▶ Do not put any loads on the housing (e.g. by placing objects on it or standing on it).
- ▶ Do not make any external modifications to the device housings. Do not paint the housing parts or screws.

4 GENERAL INFORMATION

4.1 Contact address

Germany

Bürkert Fluid Control System
Sales Center
Chr.-Bürkert-Str. 13-17
D-74653 Ingelfingen
Tel. + 49 (0) 7940 - 10 91 111
Fax + 49 (0) 7940 - 10 91 448
E-mail: info@de.buerkert.com

International

Contact addresses can be found on the final pages of the printed operating instructions.

And also on the Internet at:

www.burkert.com

4.2 Warranty

The warranty is only valid if the control head Type 8691 is used as intended in accordance with the specified application conditions.

4.3 Trademarks

Brands and trademarks listed below are trademarks of the corresponding companies / associations / organizations

Loctite Henkel Loctite Deutschland GmbH

4.4 Information on the internet

The operating instructions and data sheets for Type 8691 can be found on the Internet at:

www.burkert.com

5 SYSTEM DESCRIPTION

5.1 Configuration and function

The control head Type 8691 can control single or double-acting process valves.

The control head Type 8691 has been optimized for integrated, modular installation on process valves of the 21xx series. The module configuration permits a variety of expansion steps.

For installation on the 20xx series there is a special model which is described in chapter [“5.1.2”](#).

The valve position is recorded via a contactless, analog sensor element which uses the teach function to automatically detect and save the valve end positions during start-up.

Apart from the electrical position feedback, the status of the device is optically displayed on the control head itself by a colored high-power LED.

Option: Communication possible via AS-Interface or DeviceNet.

5.1.1 Control head for integrated installation on the 21xx series

Views without transparent cap and body casing

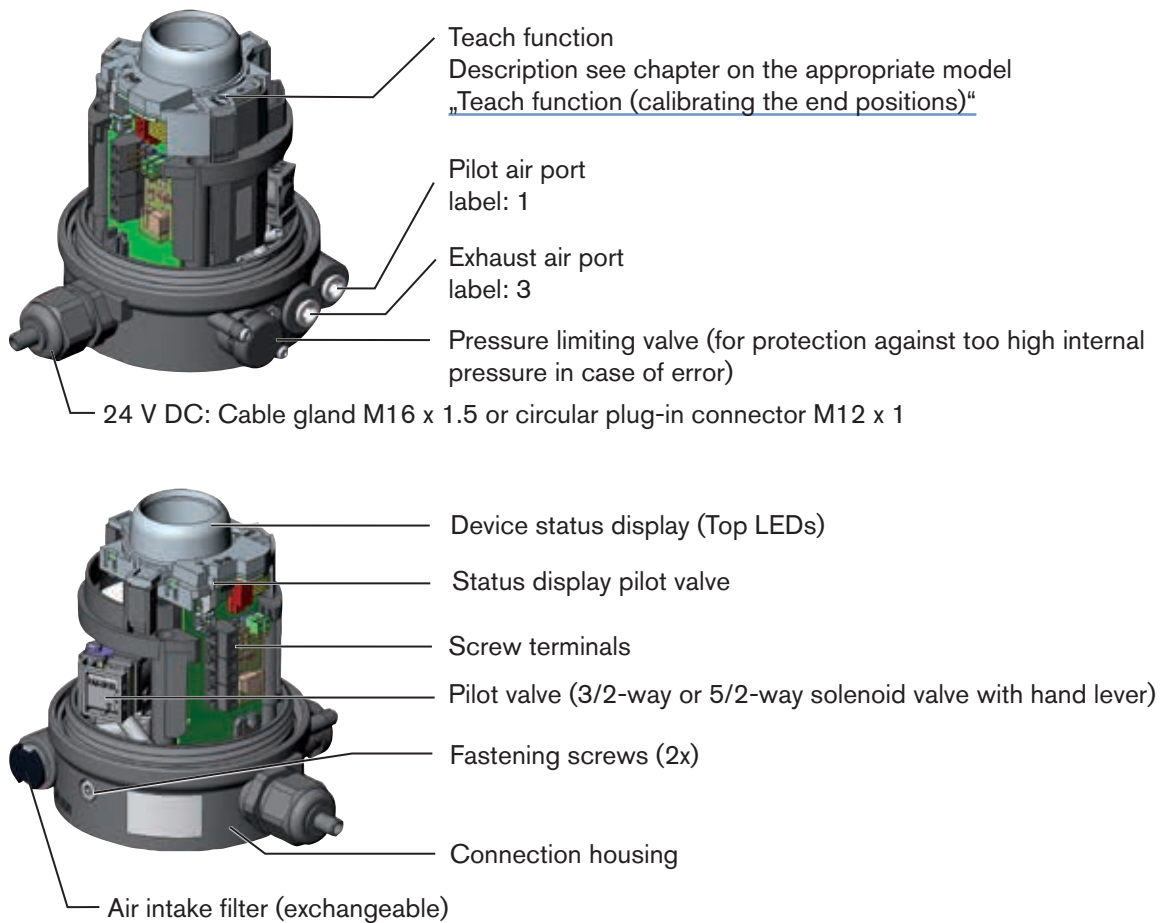


Figure 1: Design and function

5.1.2 Model for control of process valves belonging to the 20xx series

A special model enables the control head Type 8691 to be attached to process valves belonging to the 20xx series. This model features has a different connection housing so that the pilot air ports can be connected to the outside of the actuator (see "Figure 2").

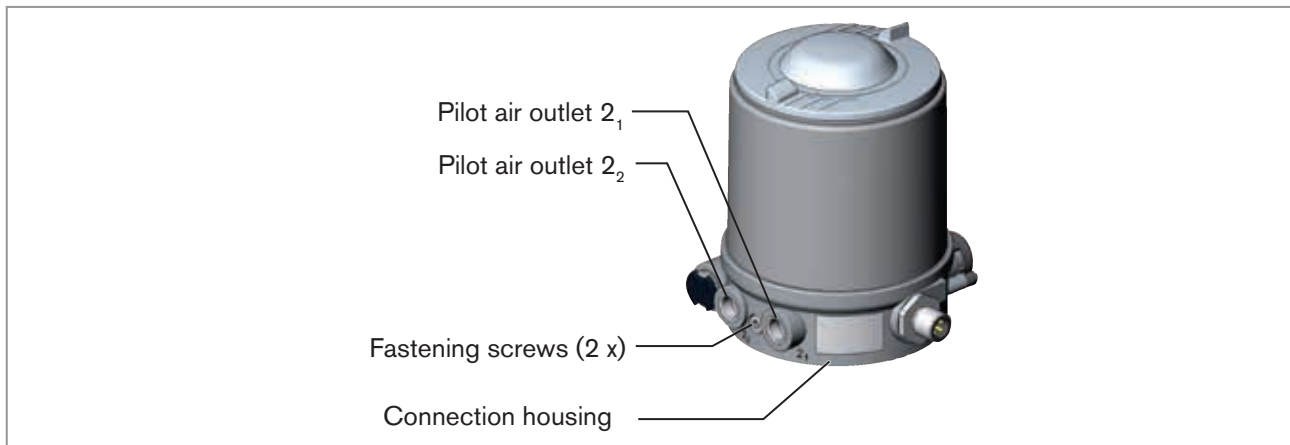


Figure 2: Connection module for process valves belonging to the 20xx series

6 TECHNICAL DATA

6.1 Conformity

In accordance with the EC Declaration of conformity, the control head Type 8691 is compliant with the EC Directives.

6.2 Standards

The applied standards on the basis of which compliance with the EC Directives is confirmed are listed in the EC type examination certificate and/or the EC Declaration of Conformity.

6.3 Licenses

The product is approved for use in zone 2 and 22 in accordance with ATEX directive 94/9/EC category 3GD.



Observe instructions on operation in an explosion-risk (Ex) area.
Observe the ATEX additional instructions.

The product is cULus approved. Instructions for use in the UL area see chapter [“6.8 Electrical data”](#).

6.4 Operating conditions



WARNING!

Solar radiation and temperature fluctuations may cause malfunctions or leaks.

- ▶ If the device is used outdoors, do not expose it unprotected to the weather conditions.
- ▶ Ensure that the permitted ambient temperature does not exceed the maximum value or drop below the minimum value.

Ambient temperature see type label

Degree of protection

Evaluated by the manufacturer:	Evaluated by UL:
IP65 / IP67 according to EN 60529 ¹⁾	UL Type 4x Rating ¹⁾

¹⁾ Only if cables, plugs and sockets have been connected correctly and in compliance with the exhaust air concept see chapter [“8 Pneumatic installation”](#).

6.5 Mechanical data

Dimensions see data sheet

Body material exterior: PPS, PC, VA

Sealing material exterior: EPDM
interior: NBR

Stroke range of valve spindle 2 – 28 mm
 2 – 47 mm

6.6 Type labels

6.6.1 Type label standard

Example:

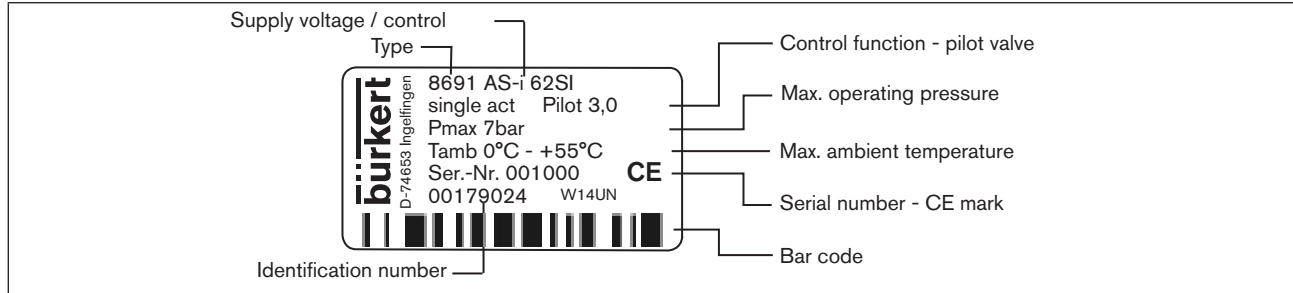


Figure 3: Example of type label

6.6.2 UL Type label

Example:

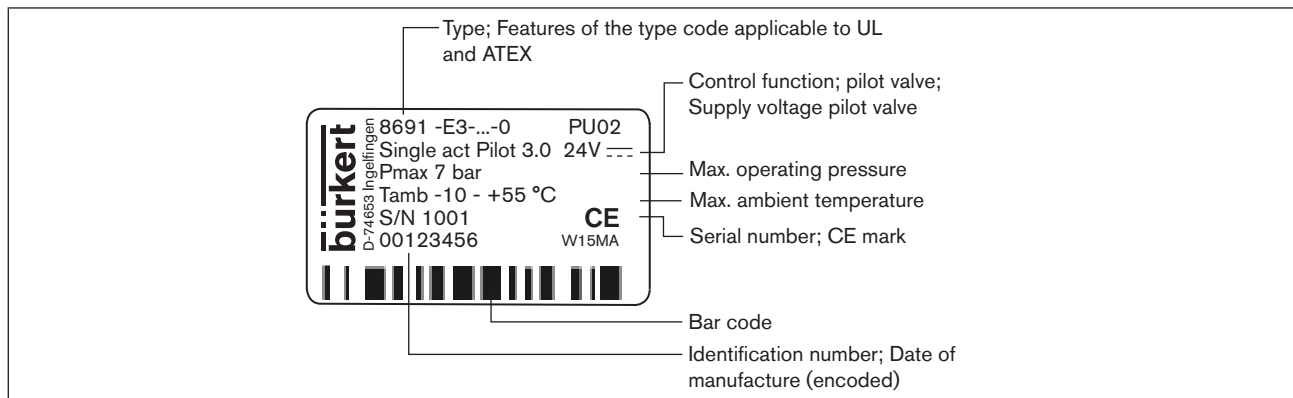


Figure 4: UL Type label (example)

6.6.3 UL additional label

Example:

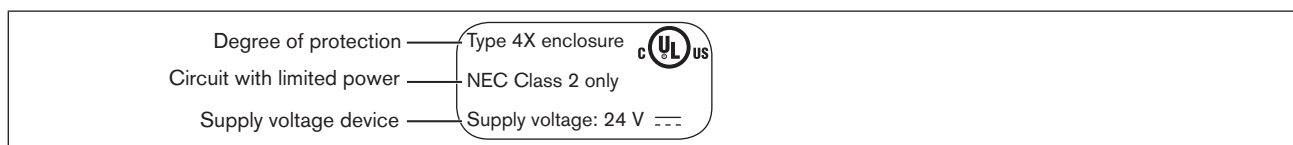


Figure 5: UL additional label (example)

6.7 Pneumatic data

Control medium		neutral gases, air; Quality classes in accordance with ISO 8573-1
Dust content	Class 7	max. particle size 40 µm, max. particle density 10 mg/m ³
Water content	Class 3	max. pressure dew point -20 °C or min. 10 °C below the lowest operating temperature
Oil content	Class X	max. 25 mg/m ³
Temperature range		-10 – +50 °C
Pressure range		3 – 7 bar
Air output of pilot valve		250l _N /min (for ventilation and exhaust) (Q _{Nn} value according to definition for pressure drop from 7 to 6 bar absolute)
Connections		Plug-in hose connector Ø 6 mm / 1/4" Socket connection G1/8

6.8 Electrical data



WARNING!

Only circuits with limited power may be used for UL approved components according to "NEC Class 2".

6.8.1 Electrical data without bus control 24 V DC

Protection class	3 as per DIN EN 61140 (VDE 0140-1)
Connections	Cable gland M16 x 1.5, wrench size 22 (clamping area 5 – 10 mm) with screw-type terminals for cable cross-sections 0.14 – 1.5 mm ² Circular plug-in connector (M12 x 1, 8-pole)
Pilot valve	
Operating voltage	24 V DC ± 10 % residual ripple 10 %
Power input	max. 1W
Output	max. 100 mA per output
Display	max. 20 mA per illustrated illuminated display (LED)

6.8.2 Electrical data with AS-Interface bus control

Protection class	3 as per DIN EN 61140 (VDE 0140-1)
Connections	Circular plug-in connector (M12 x 1, 4-pole)
Operating voltage	29.5 V – 31.6 V DC (according to specification)
Outputs	
Max. switching capacity	1 W via AS-Interface
Watchdog function	integrated

Devices without external supply voltage:

Max. power consumption	120 mA
Power consumption input during normal operation (after current reduction; valve + 1 end position reached)	90 mA

Devices with external supply voltage:

External supply voltage	24 V ± 10 %
The power supply unit must include a secure disconnection in accordance with IEC 364-4-41 (PELV or SELV)	
Max. power consumption	55 mA (after current reduction ≤ 30 mA)
Max. power consumption from AS-Interface	55 mA

6.8.3 Electrical data with DeviceNet bus control

Protection class	3 as per DIN EN 61140 (VDE 0140-1)
Connections	Circular plug-in connector (M12 x 1, 5-pole)
Operating voltage	11 V – 25 V
Max. power consumption	< 80 mA
Output	
Pull-in current	≤ 50 mA
Holding current	≤ 30 mA

7 INSTALLATION

7.1 Safety instructions



DANGER!

Risk of injury from high pressure in the equipment/device.

- ▶ Before working on equipment or device, switch off the pressure and deaerate/drain lines.

Risk of electric shock.

- ▶ Before working on equipment or device, switch off the power supply and secure to prevent reactivation.
- ▶ Observe applicable accident prevention and safety regulations for electrical equipment.



WARNING!

Risk of injury from improper installation.

- ▶ Installation may be carried out by authorized technicians only and with the appropriate tools.

Risk of injury from unintentional activation of the system and an uncontrolled restart.

- ▶ Secure system from unintentional activation.
- ▶ Following assembly, ensure a controlled restart.

7.2 Installing the control head Type 8691 on process valves belonging to series 21xx

NOTE!

When mounting on process valves with a welded body, follow the installation instructions in the operating instructions for the process valve.

Procedure:

1. Install switch spindle

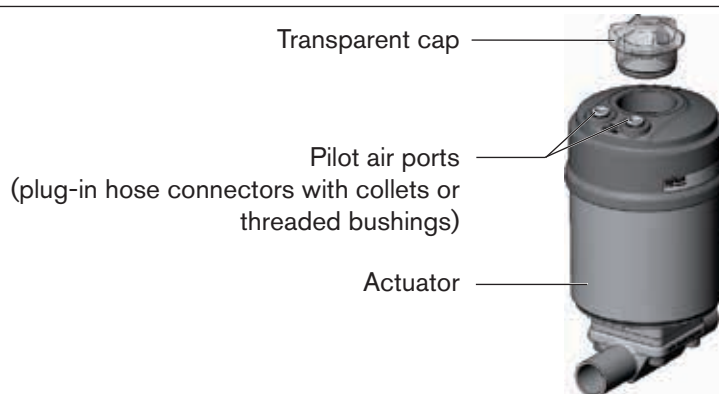


Figure 6: Installation of the switch spindle (1), 21xx series

→ Unscrew the transparent cap on the actuator and unscrew the position display (yellow cap) on the spindle extension (if present).

→ For model with plug-in hose connector, remove the collets (white nozzles) from both pilot air ports (if present).

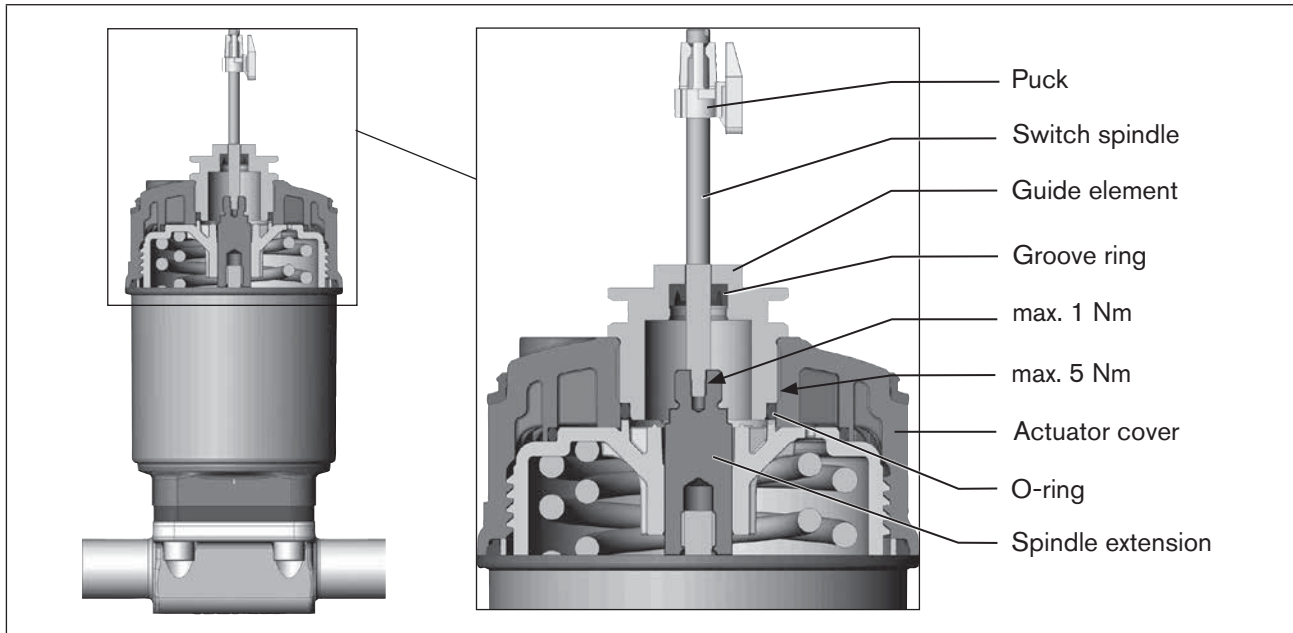


Figure 7: Installing of the switch spindle (2), series 21xx

NOTE!

Improper installation may damage the groove ring in the guide element.

The groove ring is already pre-assembled in the guide element and must be "locked into position" in the undercut.

- ▶ When installing the switch spindle, do not damage the groove ring.

→ Push the switch spindle through the guide element.

NOTE!

Screw locking paint may contaminate the groove ring.

- ▶ Do not apply any screw locking paint to the switch spindle.

→ To secure the switch spindle, apply some screw locking paint (Loctite 290) in the tapped bore of the spindle extension in the actuator.

→ Check that the O-ring is correctly positioned.

→ Screw the guide element to the actuator cover (maximum torque: 5 Nm).

→ Screw switch spindle onto the spindle extension. To do this, there is a slot on the upper side (maximum torque: 1 Nm).

→ Push puck onto the switch spindle and lock into position.

2. Install sealing rings

- Pull the form seal onto the actuator cover (smaller diameter points upwards).
- Check that the O-rings are correctly positioned in the pilot air ports.

! When the control head is being installed, the collets of the pilot air ports must not be fitted to the actuator.

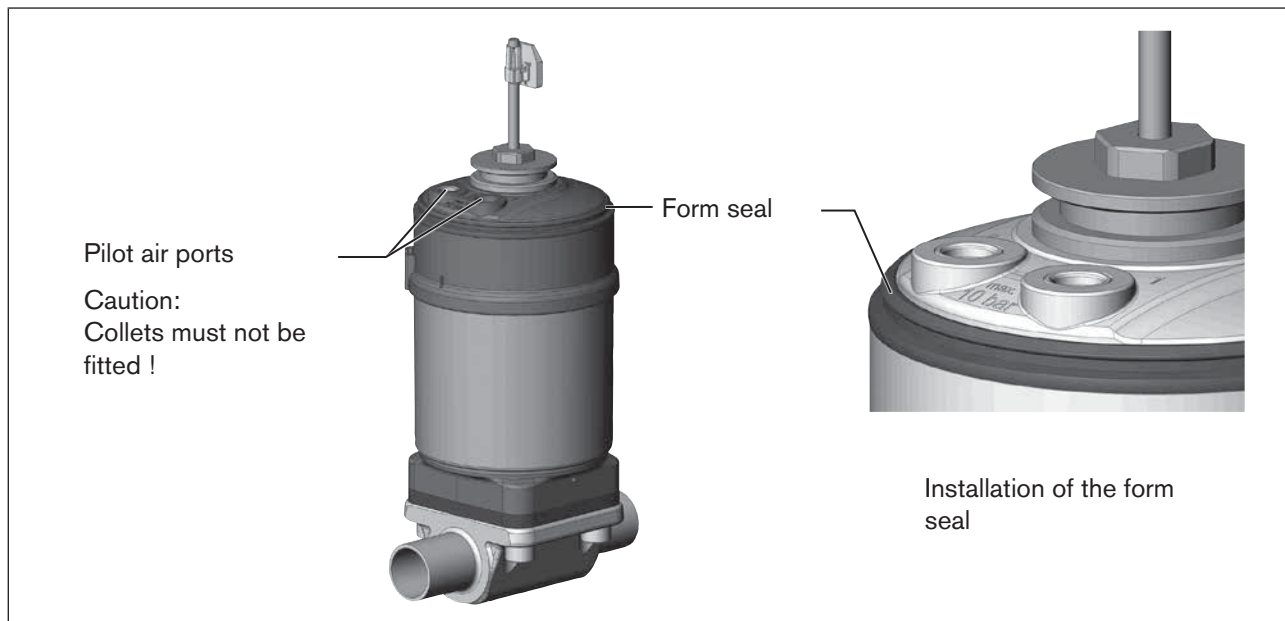


Figure 8: Installing of the sealing rings, 21xx series

3. Install the control head

NOTE!

Damaged printed circuit board or malfunction.

- ▶ Ensure that the puck is situated flat on the guide rail.

→ Align the puck and the control head until

1. the puck can be inserted into the guide rail of the control head (see "Figure 9") and
2. the connection pieces of the control head can be inserted into the pilot air ports of the actuator (see "Figure 10").

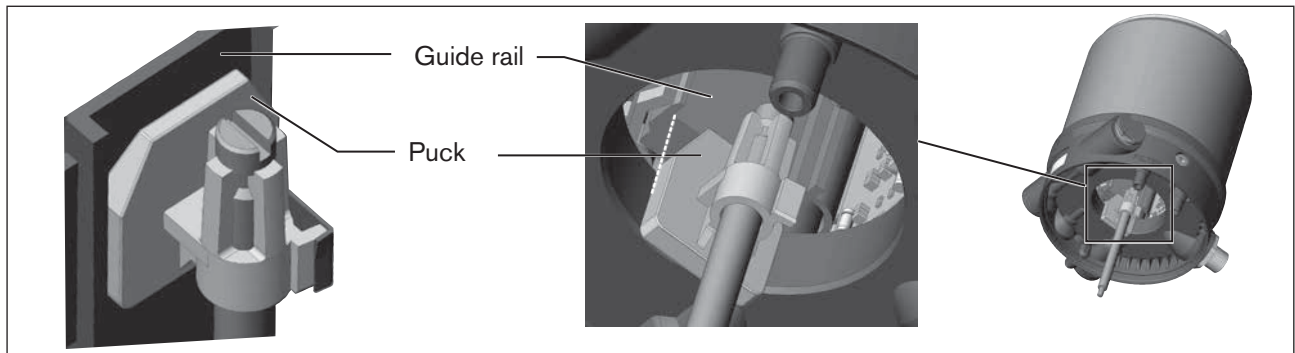


Figure 9: Aligning the puck

→ Push the control head, without turning it, onto the actuator until no gap is visible on the form seal.

NOTE!

Too high torque when screwing in the fastening screw does not ensure degree of protection IP65 / IP67.

- ▶ The fastening screws may be tightened to a maximum torque of 1.5 Nm only.

→ Attach the control head to the actuator using the two side fastening screws. In doing so, tighten the screws only hand-tight (max. torque: 1.5 Nm).

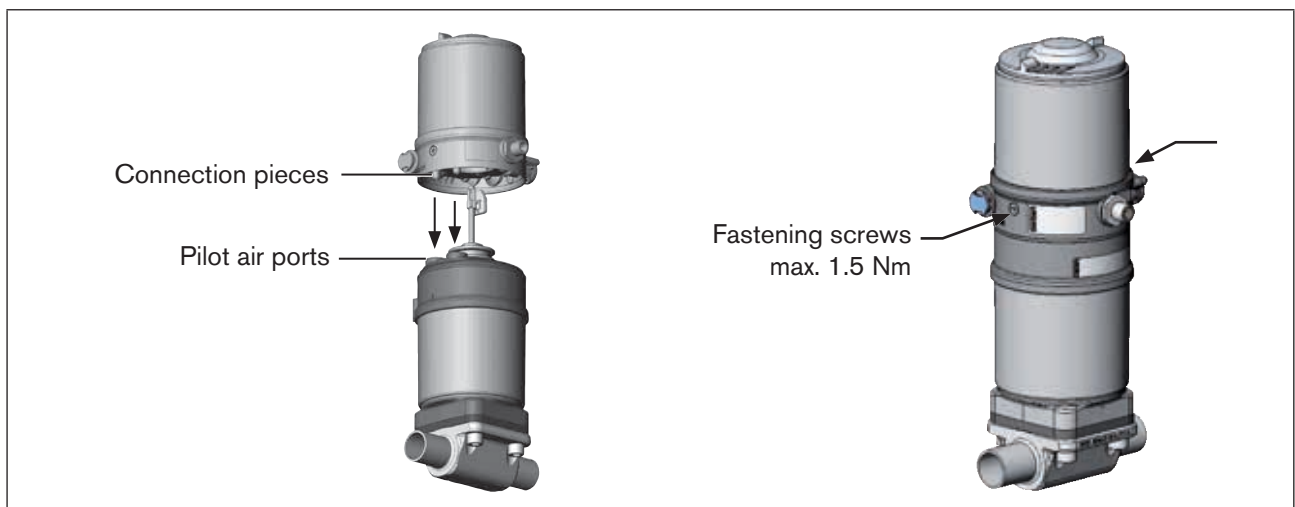


Figure 10: Installation of control head, series 21xx

7.3 Installing the control head Type 8691 on process valves belonging to series 20xx

Procedure:

1. Install switch spindle

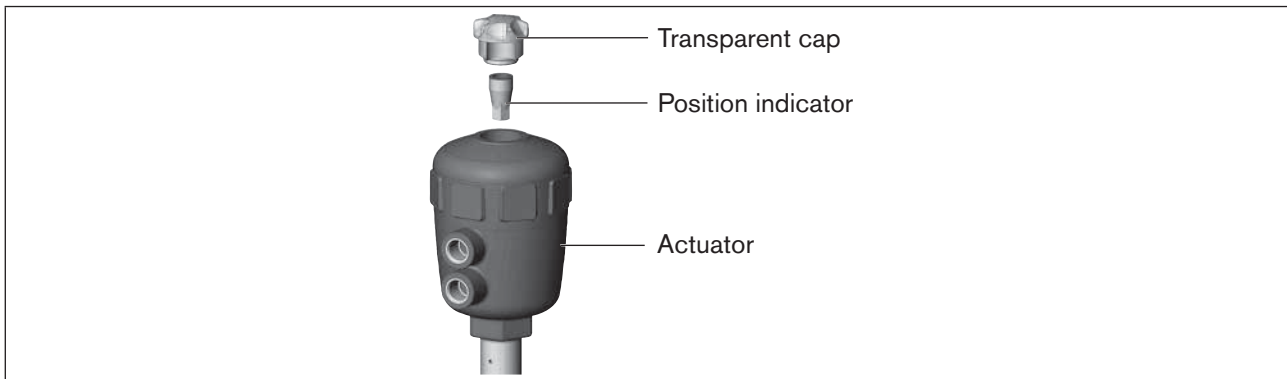


Figure 11: Installation of the switch spindle (1), series 20xx

→ Unscrew the transparent cap on the actuator.

→ Using a hexagon socket key, unscrew the orange/yellow position indicator from the inside of the actuator.

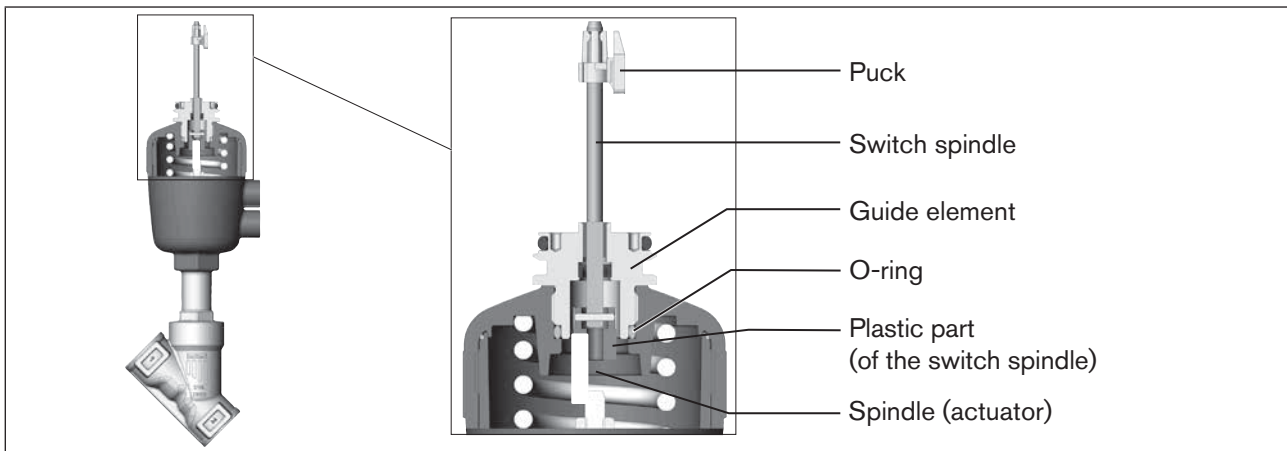


Figure 12: Installation of the switch spindle (2), series 20xx

→ Press the O-ring downwards into the cover of the actuator.

→ Manually screw the switch spindle (and the plugged-on guide element) together with the plastic part onto the spindle of the actuator, but do not tighten spindle yet.

→ Tighten the guide element with a face wrench²⁾ into the actuator cover (torque: 8.0 Nm).

→ Tighten the switch spindle on the spindle of the actuator. To do this, there is a slot on the upper side (torque: 1.0 Nm).

→ Push the puck onto the switch spindle until it engages.

²⁾ journal Ø: 3 mm; journal gap: 23.5 mm

2. Installation of the masking ring and the control head

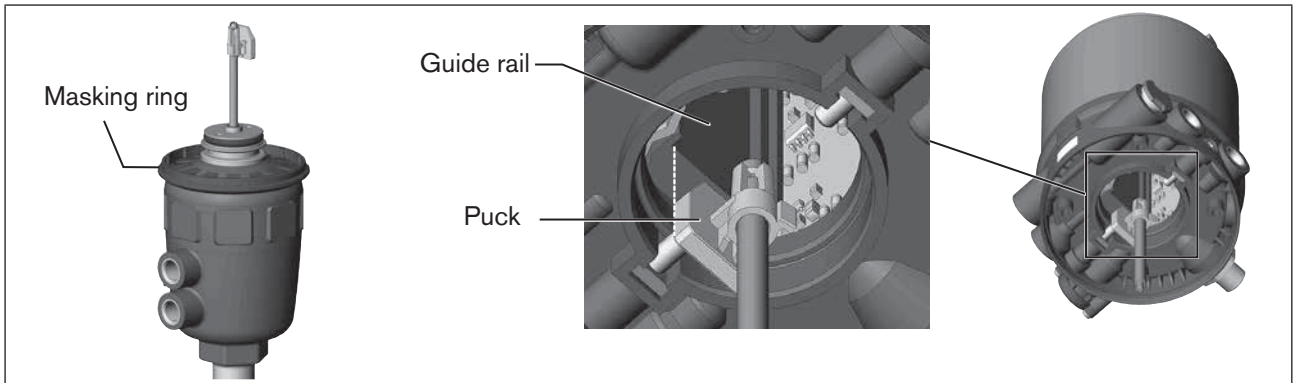


Figure 13: Installation of the masking ring and aligning the puck

→ Pull the masking ring onto the actuator cover (for actuator sizes $\varnothing 50$ and $\varnothing 63$ only).

NOTE!

Damaged printed circuit board or malfunction.

▶ Ensure that the puck is situated flat on the guide rail.

→ Push the control head onto the actuator. The puck must be aligned in such a way that it is inserted into the guide rail of the control head.

→ Press the control head all the way down as far as the actuator and turn it into the required position.

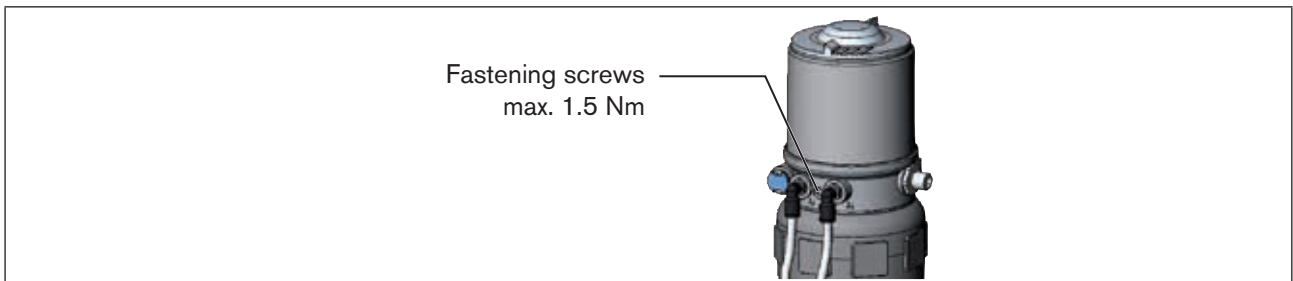


Figure 14: Installation of the control head



Ensure that the pneumatic connections of the control head and those of the valve actuator are situated preferably vertically one above the other (see "Figure 15").
If they are positioned differently, longer hoses may be required other than those supplied in the accessory kit.

NOTE!

Too high torque when screwing in the fastening screw does not ensure degree of protection IP65 / IP67.

▶ The fastening screws may be tightened to a maximum torque of 1.5 Nm only.

→ Attach the control head to the actuator using the two side fastening screws. In doing so, tighten the fastening screws hand-tight only (maximum torque: 1.5 Nm).

3. Install pneumatic connection between control head and actuator

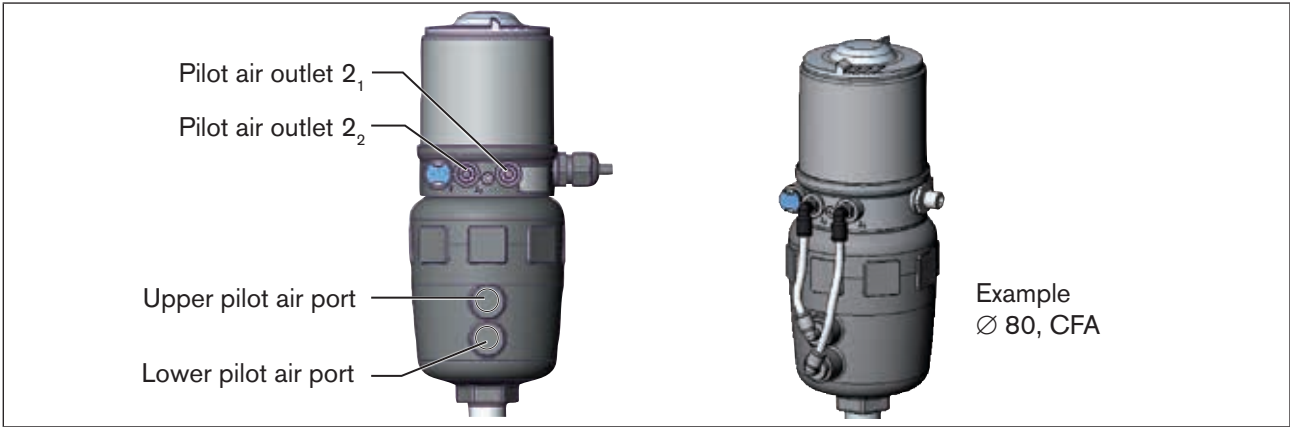


Figure 15: Installation of the pneumatic connection, 20xx series

- Screw the plug-in hose connectors onto the control head and the actuator.
- Using the hoses supplied in the accessory kit, make the pneumatic connection between the control head and actuator with the following "Table 1" or "Table 2".

NOTE!

Damage or malfunction due to ingress of dirt and moisture.

- ▶ To comply with degree of protection IP65 / IP67, connect the pilot air outlet which is not required (on CFA and CFB) to the free pilot air port of the actuator or seal with a plug.

Control function A (CFA)			
Process valve closed in rest position (by spring force)			
Control head	Pilot air outlet		or
Actuator	Upper pilot air port		
	Lower pilot air port		
Control function B (CFB)			
Process valve open in rest position (by spring force)			
Control head	Pilot air outlet		or
Actuator	Upper pilot air port		
	Lower pilot air port		

Table 1: Pneumatic connection to actuator CFA and CFB

Control function I (CFI)		
Process valve closed in rest position		
Control head	Pilot air outlet	
Actuator	Upper pilot air port Lower pilot air port	
Process valve open in rest position		
Control head	Pilot air outlet	
Actuator	Upper pilot air port Lower pilot air port	

Table 2: Pneumatic connection to actuator CFI



"In rest position" means that the pilot valves of the control head Type 8691 are isolated or not actuated.



If the ambient air is humid, a hose can be connected between pilot air outlet 2₂ of the control head and the unconnected pilot air port of the actuator for control function A or control function B. As a result, the spring chamber of the actuator is supplied with dry air from the vent duct of the control head.

7.4 Rotating the actuator module



The actuator module (control head and actuator) can be rotated for straight seat valves and angle seat valves only.

The position of the connections can be aligned steplessly by rotating the actuator module (control head and actuator) through 360°.



Process valves Type 2100 and 2101: Only the entire actuator module can be rotated. The control head cannot be rotated contrary to the actuator.

The process valve must be in the open position for alignment of the actuator module.



DANGER!

Risk of injury from high pressure in the equipment/device.

- ▶ Before working on equipment or device, switch off the pressure and deaerate/drain lines.

Procedure:

- Clamp valve body in a holding device (only required if the process valve has not yet been installed).
- Control function A: Open process valve.

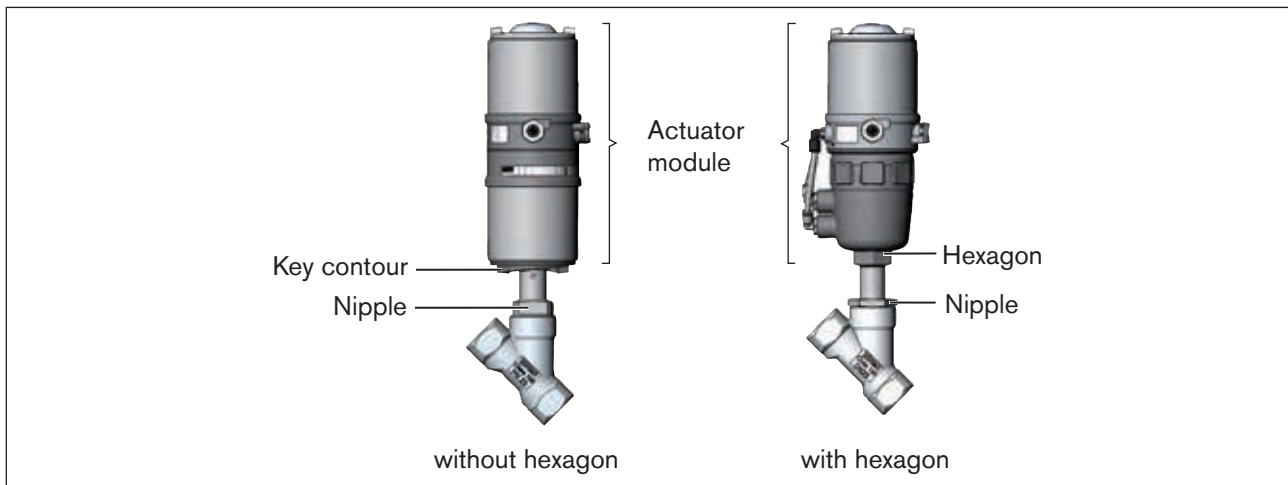


Figure 16: Rotating the actuator module

→ Using a suitable open-end wrench, counter the wrench flat on the pipe.

→ Actuator module without hexagon:

Fit special key³⁾ exactly in the key contour on the underside of the actuator.

→ Actuator module with hexagon:

Place suitable open-end wrench on the hexagon of the actuator.



WARNING!

Risk of injury from discharge of medium and pressure.

If the direction of rotation is wrong, the body interface may become detached.

▶ Rotate the actuator module **in the specified direction only** (see "Figure 17").

→ Actuator module without hexagon:

Rotate **clockwise** (as seen from below) to bring the actuator module into the required position.

→ Actuator module with hexagon:

Rotate **counter-clockwise** (as seen from below) to bring the actuator module into the required position.

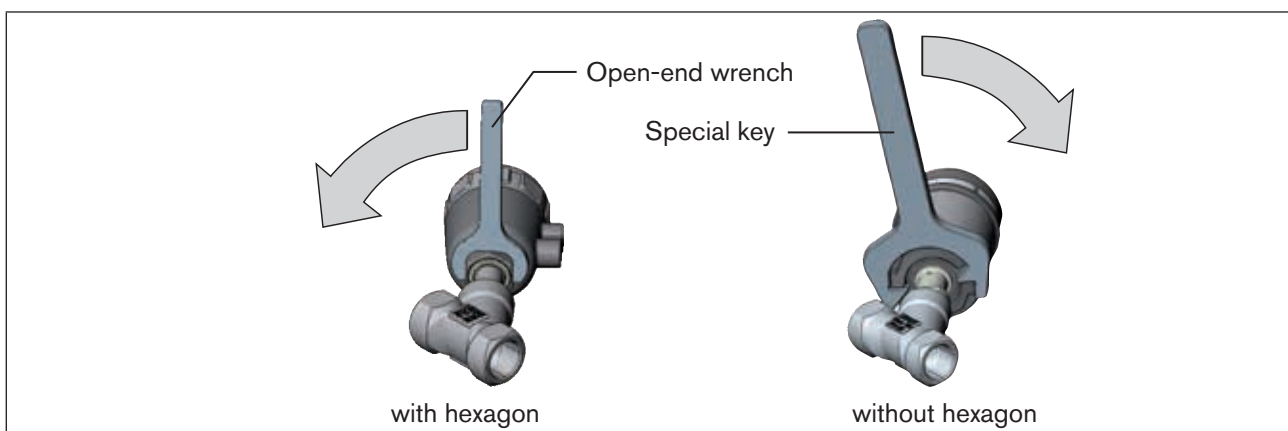


Figure 17: Rotating with special key / open-end wrench

³⁾ The special key (665702) is available from your Bürkert sales office.

7.5 Rotating the control head for process valves belonging to series 20xx

If the connecting cables or hoses cannot be fitted properly following installation of the process valve, the control head can be rotated contrary to the actuator.

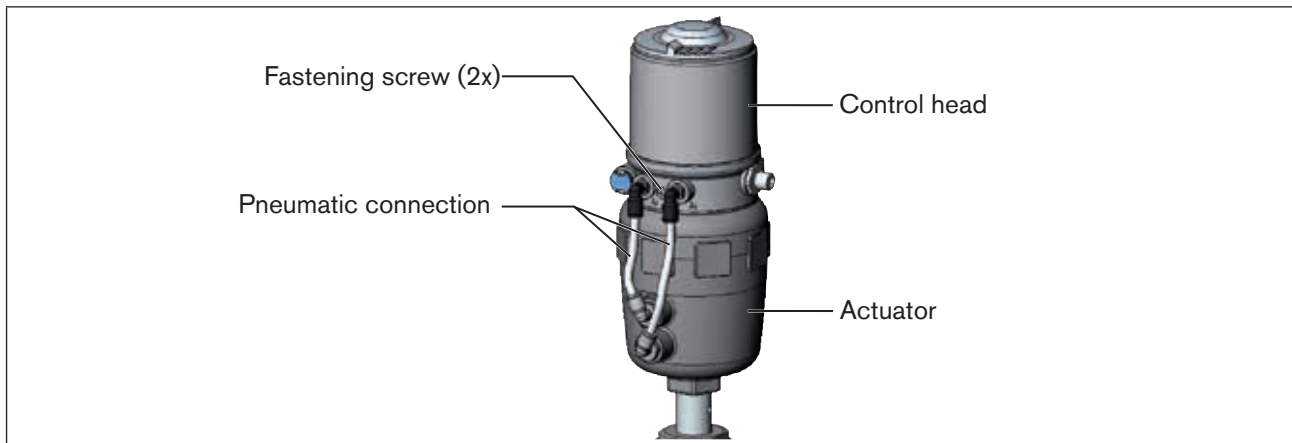


Figure 18: Rotating the control head, series 20xx

Procedure

- Loosen the pneumatic connection between the control head and the actuator.
- Loosen the fastening screws (hexagon socket wrench size 2.5).
- Rotate the control head into the required position.

NOTE!

Too high torque when screwing in the fastening screw does not ensure degree of protection IP65 / IP67.

- ▶ The fastening screw may be tightened to a maximum torque of 1.5 Nm only.

- Tighten the fastening screws hand-tight only (maximum torque: 1.5 Nm).
- Re-attach the pneumatic connections between the control head and the actuator. If required, use longer hoses.

8 PNEUMATIC INSTALLATION



DANGER!

Risk of injury from high pressure in the equipment/device.

- ▶ Before working on equipment or device, switch off the pressure and deaerate/drain lines.



WARNING!

Risk of injury from improper installation.

- ▶ Installation may be carried out by authorized technicians only and with the appropriate tools.

Risk of injury from unintentional activation of the system and an uncontrolled restart.

- ▶ Secure system from unintentional activation.
- ▶ Following installation, ensure a controlled restart.

Procedure:

- Connect the control medium to the pilot air port (1)
(3 – 7 bar; instrument air, free of oil, water and dust).
- Attach the exhaust airline or a silencer to the exhaust air port (3) (see ["Figure 19"](#)).



Important information for the problem-free functioning of the device:

- ▶ The installation must not cause back pressure to build up.
- ▶ Select a hose for the connection with an adequate cross-section.
- ▶ The exhaust air line must be designed in such a way that no water or other liquid can get into the device through the exhaust air port.

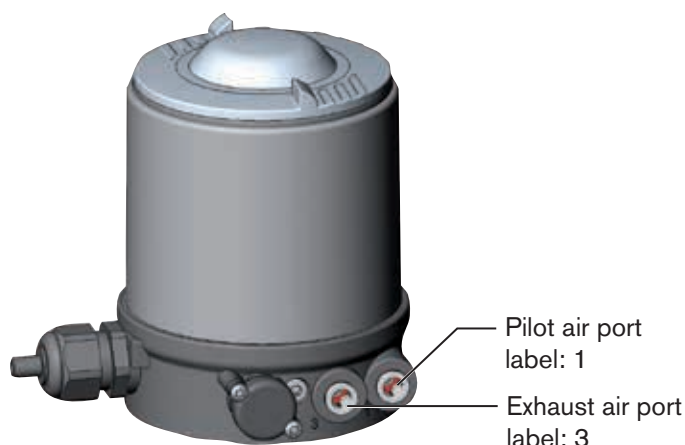


Figure 19: Pneumatic connection



Caution: (Exhaust air concept):

In compliance with degree of protection IP67, an exhaust air line must be installed in the dry area. Keep the adjacent supply pressure **always** at least 0.5 – 1 bar above the pressure which is required to move the actuator to its end position.

9 ELECTRICAL INSTALLATION 24 V DC

Two kinds of connections are used for the electrical bonding of the control head:

- **Cable gland**
with cable gland M16 x 1.5 and screw terminals
- **Multi-pole**
with circular plug-in connector M12 x 1, 8-pole

9.1 Safety instructions



DANGER!

Risk of electric shock.

- ▶ Before working on equipment or device, switch off the power supply and secure to prevent reactivation.
- ▶ Observe applicable accident prevention and safety regulations for electrical equipment.



WARNING!

Risk of injury from improper installation.

- ▶ Installation may be carried out by authorized technicians only and with the appropriate tools.

Risk of injury from unintentional activation of the system and an uncontrolled restart.

- ▶ Secure system from unintentional activation.
- ▶ Following installation, ensure a controlled restart.

9.2 Electrical installation with cable gland

NOTE!

Breakage of the pneumatic connection pieces due to rotational impact.

- ▶ When unscrewing and screwing in the body casing, do not hold the actuator of the process valve but the connection housing.

→ Unscrew the body casing (stainless steel) in a counter-clockwise direction.

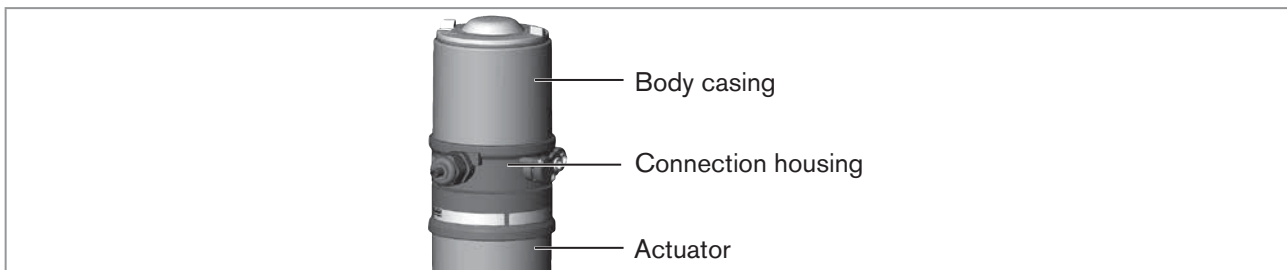


Figure 20: Open control head

→ Push the cables through the cable gland.

→ Connect the wires (see connection diagram in [“Figure 21: Printed circuit board 24 V DC - cable gland”](#)).

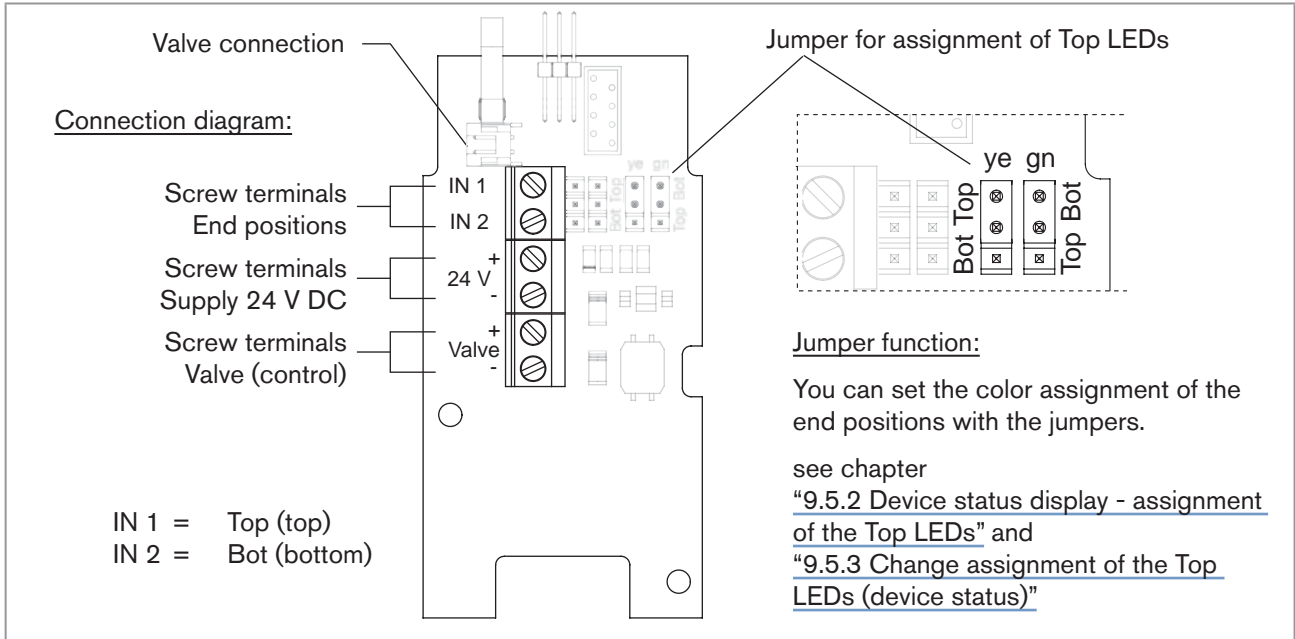


Figure 21: Printed circuit board 24 V DC - cable gland

→ Check that the seal is correctly positioned in the body casing.

NOTE!

Breakage of the pneumatic connection pieces due to rotational impact.

- ▶ When unscrewing and screwing in the body casing, do not hold the actuator of the process valve but the connection housing.

Damage or malfunction due to penetration of dirt and humidity.

To ensure degree of protection IP65 / IP67:

- ▶ Tighten the union nut on the cable gland according to the cable size or dummy plugs used. (ca. 1.5 Nm).
- ▶ Screw the body casing in all the way.

→ Tighten union nut on the cable gland (torque approx. 1.5 Nm).

→ Close the device (assembly tool: 674077⁴⁾).

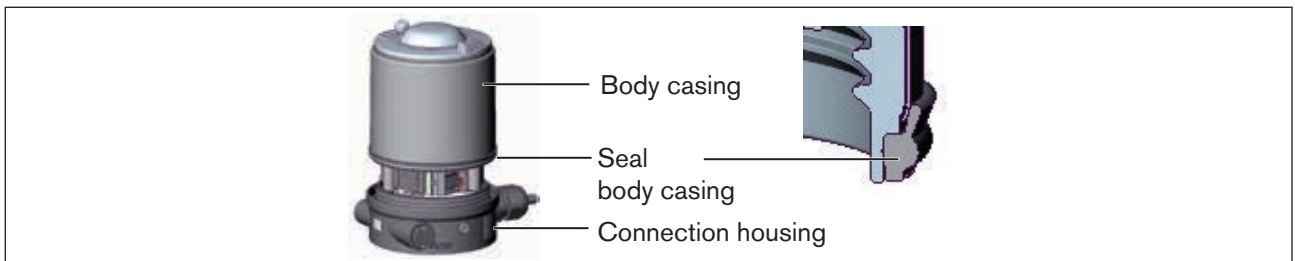


Figure 22: Position of the seal in the body casing

The teach function can now be used to automatically determine and read in the end positions of the valve (description of the teach function see chapter ["9.4 Teach function \(calibrating the end positions\)"](#)).

⁴⁾ The assembly tool (674077) is available from your Bürkert sales office.

MAN 1000098455 ML Version: | Status: RL (released | freigegeben) | printed: 22.09.2017

9.3 Electrical installation with circular plug-in connector

DANGER!

Risk of electric shock.

- ▶ Before working on equipment or device, switch off the power supply and secure to prevent reactivation.
- ▶ Observe applicable accident prevention and safety regulations for electrical equipment.

→ Connect the control head according to the table.

Configuration circular plug (M12 x 1, 8-pole):

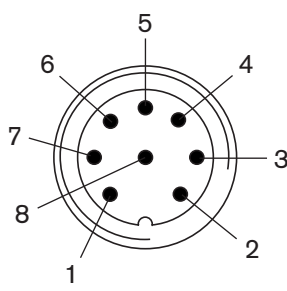
	Pin	Wire color ⁵⁾	Designation	Configuration
	1	white	limit switch top	IN 1 (= Top)
	2	brown	limit switch bottom	IN 2 (= Bot)
	3	green	supply voltage	GND
	4	yellow	supply voltage +	24 V DC
	5	grey	Valve control +	Valve +
	6	pink	Valve control -	Valve -
	7		-	not used
	8		-	not used

Table 3: Circular plug M12 x 1, 8-pole

The teach function can now be used to automatically determine and read in the end positions of the valve (description of the teach function see chapter “9.4 Teach function (calibrating the end positions)”).

9.4 Teach function (calibrating the end positions)

The teach function can be used to automatically determine and read in the end positions of the valve.

DANGER!

Risk of electric shock.

- ▶ Before working on equipment or device, switch off the power supply and secure to prevent reactivation.
- ▶ Observe applicable accident prevention and safety regulations for electrical equipment.

Necessary requirements:

Before you can actuate the teach function, you must

- mount the control head on the actuator,
- connect the supply voltage and
- connect the compressed-air supply.

⁵⁾ The indicated colors refer to the connecting cable available as an accessory (919061)

Procedure:

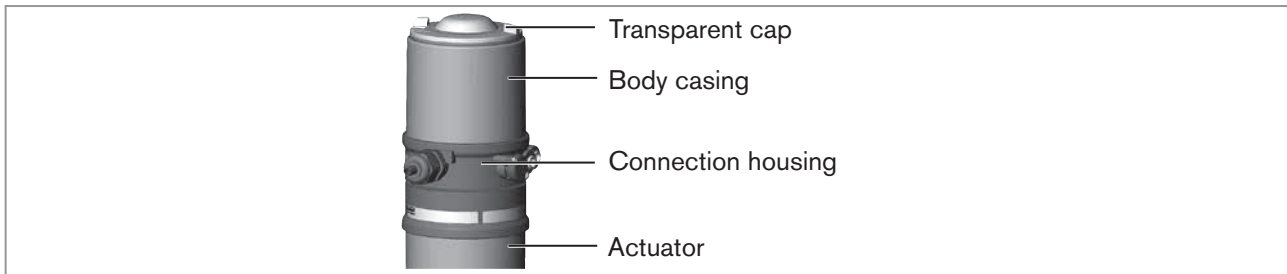


Figure 23: Open control head

NOTE!

Breakage of the pneumatic connection pieces due to rotational impact.

- ▶ When unscrewing and screwing in the transparent cap, do not hold the actuator of the process valve but the connection housing.

→ Open the control head: turning the transparent cap anti-clockwise.

→ The key in recess for actuating the teach function keep pressed for approximately 5 seconds.

→ Only for control heads without pilot valve:

When yellow pilot valve LED is lit, move actuator to upper end position.

When yellow pilot valve LED goes out again, move actuator to lower end position.

NOTE!

Damage or malfunction due to penetration of dirt and humidity.

To ensure degree of protection IP65 / IP67:

- ▶ Screw the transparent cap in all the way.

→ Close the device (assembly tool: 674077⁶⁾).

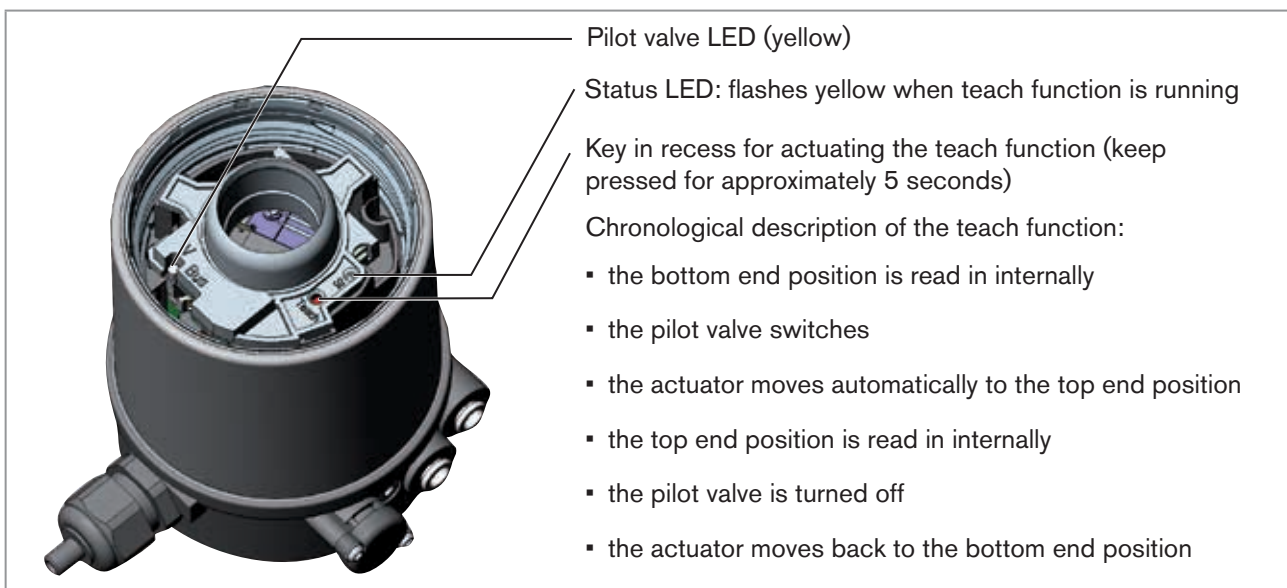


Figure 24: Teach function

⁶⁾ The assembly tool (674077) is available from your Bürkert sales office.

9.5 Display elements 24 V DC

9.5.1 LED status display

The LED status display (24 V DC) indicates whether the pilot valve is actuated (LED is lit yellow).

NOTE!

Breakage of the pneumatic connection pieces due to rotational impact.

- ▶ When unscrewing and screwing in the transparent cap, do not hold the actuator of the process valve but the connection housing.

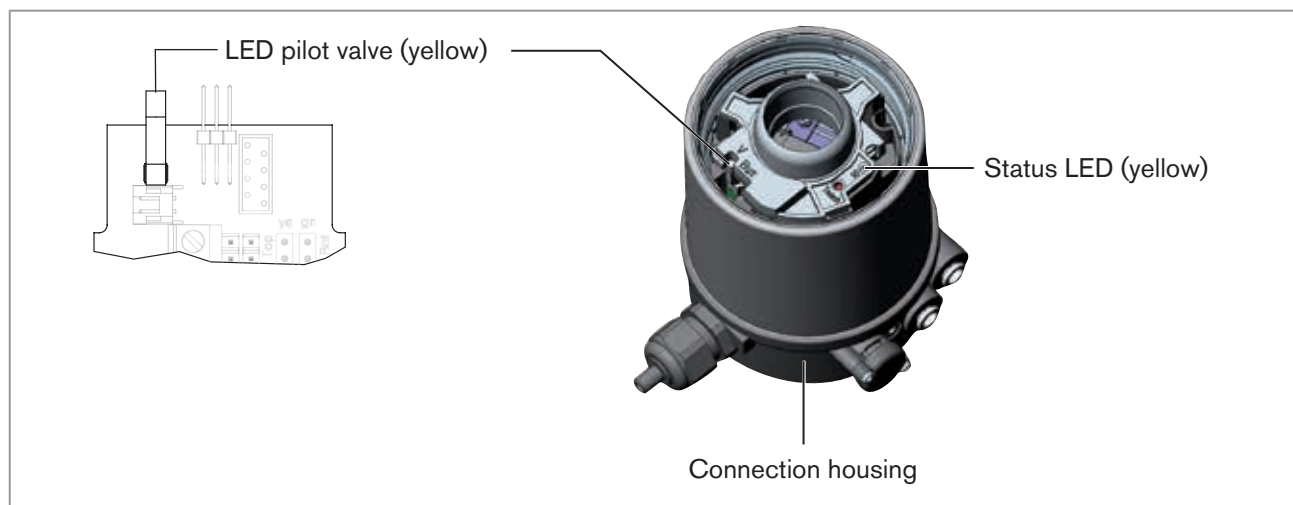


Figure 25: LED status display, Status LED

Status LED yellow

LED yellow	
flashing	Teach function is running
flickers	Puck not available → Insert puck

Table 4: Status LED yellow - 24 V DC

NOTE!

Damage or malfunction due to penetration of dirt and humidity.

To ensure degree of protection IP65 / IP67:

- ▶ Screw the transparent cap in all the way.

9.5.2 Device status display - assignment of the Top LEDs

The device status of the control head (transparent cap) is displayed optically by colored high-power LEDs (Top LEDs).

NOTE!

Breakage of the pneumatic connection pieces due to rotational impact.

- ▶ When unscrewing and screwing in the transparent cap, do not hold the actuator of the process valve but the connection housing.

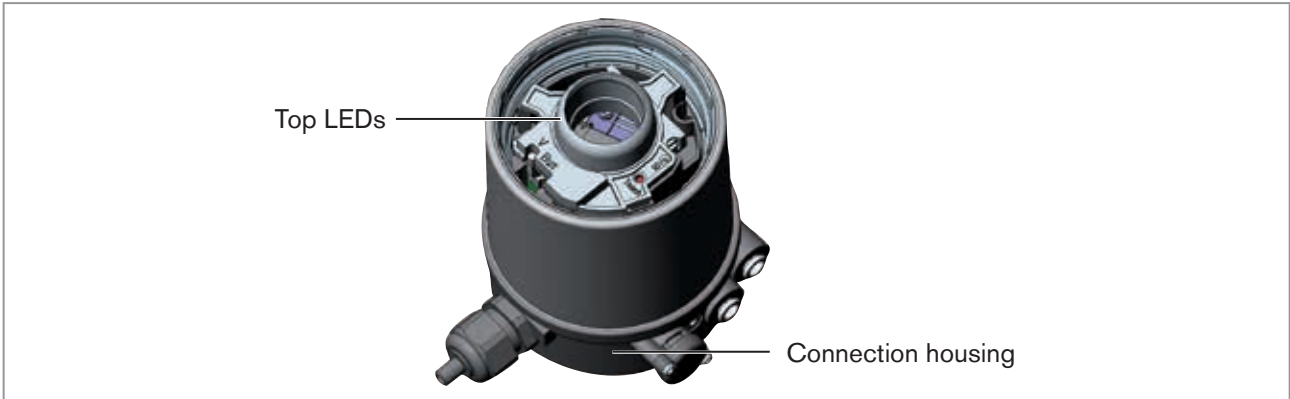


Figure 26: LED status display

The following functions are shown as standard:

Color	Device status
green Top LEDs on	End position bottom
yellow Top LEDs off	End position top

Table 5: Assignment of Top LEDs - 24 V DC

NOTE!

Damage or malfunction due to penetration of dirt and humidity.

To ensure degree of protection IP65 / IP67:

- ▶ Screw the transparent cap in all the way.

9.5.3 Change assignment of the Top LEDs (device status)

! DANGER!

Risk of electric shock.

- ▶ Before working on equipment or device, switch off the power supply and secure to prevent reactivation.
- ▶ Observe applicable accident prevention and safety regulations for electrical equipment.

Procedure:

NOTE!

Breakage of the pneumatic connection pieces due to rotational impact.

- ▶ When unscrewing and screwing in the body casing, do not hold the actuator of the process valve but the connection housing.

→ Unscrew the body casing (stainless steel) in a counter-clockwise direction.

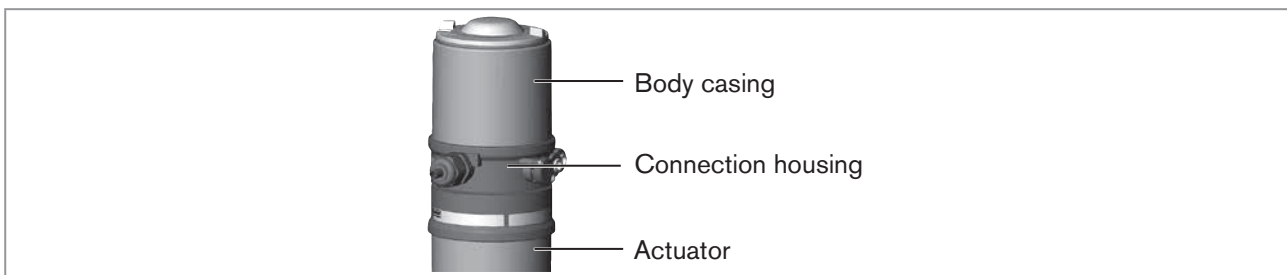


Figure 27: Open control head

→ Using the jumpers, assign the required color to the Top LEDs.

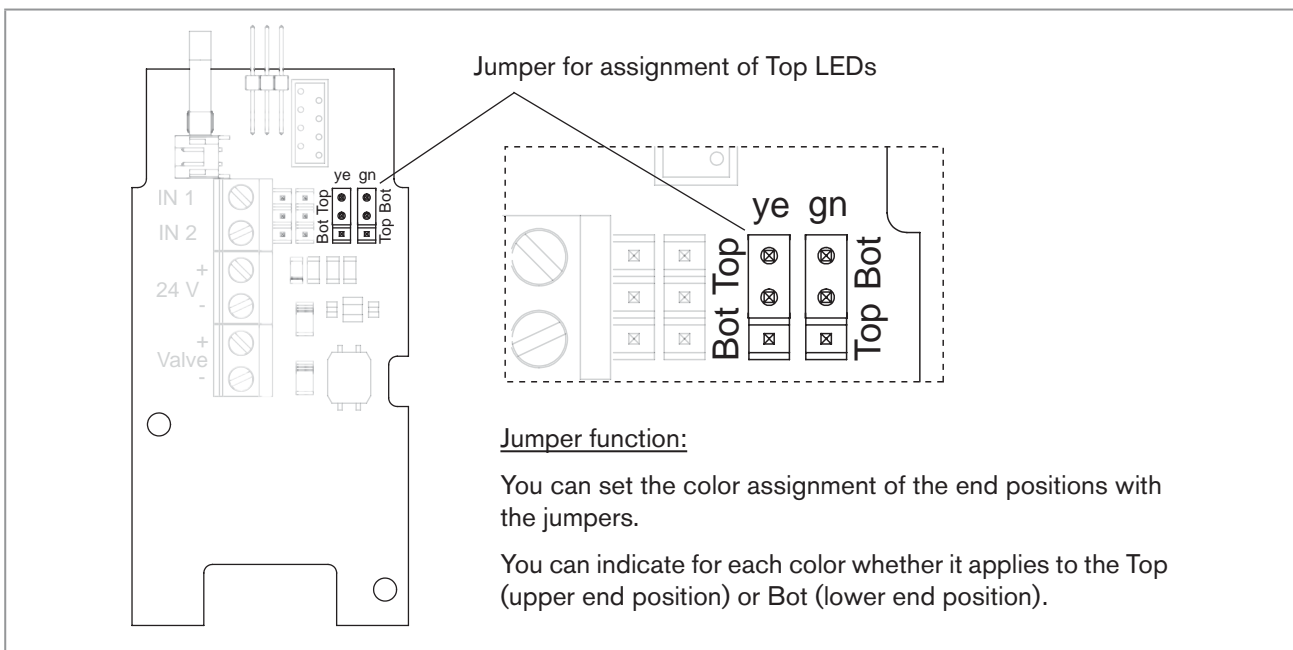


Figure 28: Assignment of the Top LEDs

→ Check that the seal is correctly positioned in the body casing.

NOTE!

Breakage of the pneumatic connection pieces due to rotational impact.

- ▶ When unscrewing and screwing in the body casing, do not hold the actuator of the process valve but the connection housing.

Damage or malfunction due to penetration of dirt and humidity.

To ensure degree of protection IP65 / IP67:

- ▶ Screw the body casing in all the way.

→ Close the device (assembly tool: 674077⁷⁾).

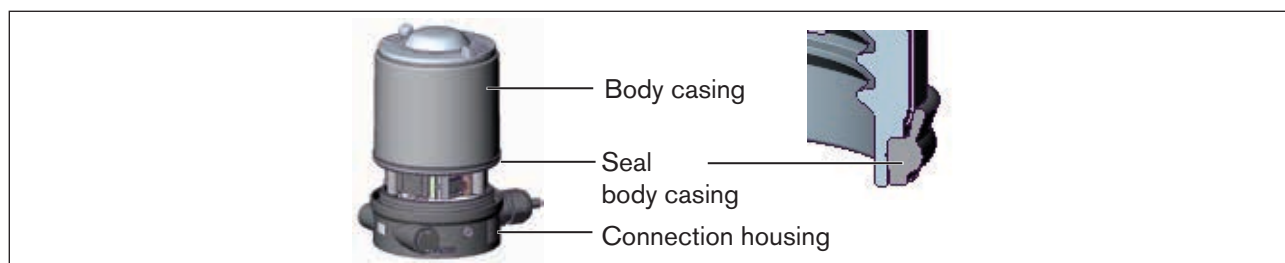


Figure 29: Position of the seal in the body casing

⁷⁾ The assembly tool (674077) is available from your Bürkert sales office.

10 AS-INTERFACE INSTALLATION

10.1 AS-Interface connection

AS-Interface (Actuator Sensor Interface) is a field bus system which is used primarily for networking binary sensors and actuators (slaves) with a higher-level control (master).

Bus line

Unshielded two-wire line (AS-Interface line as AS-Interface cable harness) along which both information (data) and energy (supply voltage for the actuators and sensors) are transmitted.

Network topology

Freely selectable within wide limits, i.e. star, tree and line networks are possible. Further details describe the AS-Interface specification (A/B slave model conforms to the version 3.0 specification).

10.2 Technical data for AS-Interface PCBs

- Supply: via AS-Interface (29,5 V – 31,6 V)
- Outputs: 1 valve Y1, max. 1 W, power reduction after approx. 100 ms with integrated Watch Dog function
- Certification: Licence no. 77601 according to version 3.0

10.3 Programming data

	AS-Interface 31 slaves	AS-Interface 62 slaves
I/O configuration	B hex (1 input, 2 outputs)	
ID code	F hex	A hex
Extended ID code 1	F hex	7 hex
Extended ID code 2	F hex	E hex
Profile	S-B.F.F	S-B.A.E

Table 6: Programming data

Bit configuration

Data bit	D3	D2	D1	D0
Input	0 Top not reached 1 Top reached	0 Bot not reached 1 Bot reached	–	–
Output	–	–	not used	0 Pilot valve OFF 1 Pilot valve ON
Parameter bit	P3	P2	P1	P0
Output	not used	not used	not used	"0" START teach function "1" STOP teach function

Table 7: Bit configuration

10.4 Electrical installation AS-Interface

10.4.1 Safety instructions

! DANGER!

Risk of electric shock.

- ▶ Before working on equipment or device, switch off the power supply and secure to prevent reactivation.
- ▶ Observe applicable accident prevention and safety regulations for electrical equipment.

! WARNING!

Risk of injury from improper installation.

- ▶ Installation may be carried out by authorized technicians only and with the appropriate tools.

Risk of injury from unintentional activation of the system and an uncontrolled restart.

- ▶ Secure system from unintentional activation.
- ▶ Following installation, ensure a controlled restart.

10.4.2 Connection with circular plug-in connector M12x1, 4-pole, male

Bus connection without external / with external supply voltage

Pin	Designation	Configuration
1	Bus +	AS-Interface bus line +
2	NC or GND (optional)	not used or external supply voltage - (optional)
3	Bus -	AS-Interface bus line -
4	NC or 24 V + (optional)	not used or external supply voltage + (optional)

Table 8: Pin assignment circular plug-in connector AS-Interface

Views of plug: From the front onto the pins, the soldered connections are behind

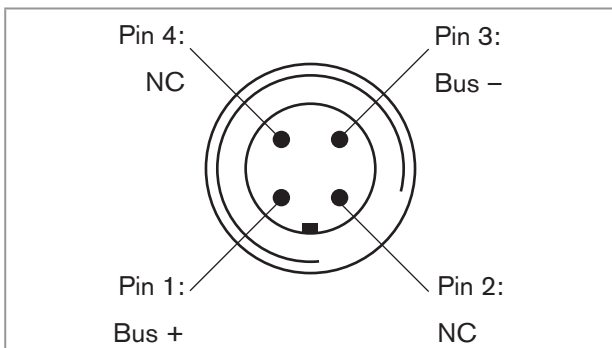


Figure 30: Bus connection without external supply voltage

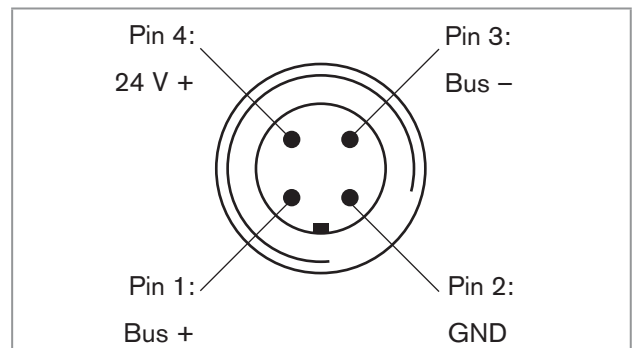


Figure 31: Bus connection with external supply voltage (optional)

The teach function can now be used to automatically determine and read in the end positions of the valve (description of the teach function see chapter “10.5 Teach function (calibrating the end position)”).

10.4.3 Connection with multi-pole cable and ribbon cable terminal

As an alternative to the bus connection model with 4-pole circular plug, there is the control head with multi-pole cable (M12 circular plug) and ribbon cable terminal. The wiring diagram of the circular plug corresponds to the bus connection of the M12 4-pole circular plug (see "Figure 25" and "Figure 26") and can easily be connected to the ribbon cable terminal (see "Figure 32").



Figure 32: Control head 8691 with multi-pole cable and ribbon cable terminal

Handling the ribbon cable terminal

The multi-pole cable features a ribbon cable terminal - with M12 plug-in connector branch circuit - for AS-Interface cable harness. The ribbon cable terminal contacts the AS-Interface cable harness by means of penetration technology which allows installation by "clipping in" the AS-Interface cable harness without cutting and without removing insulation.

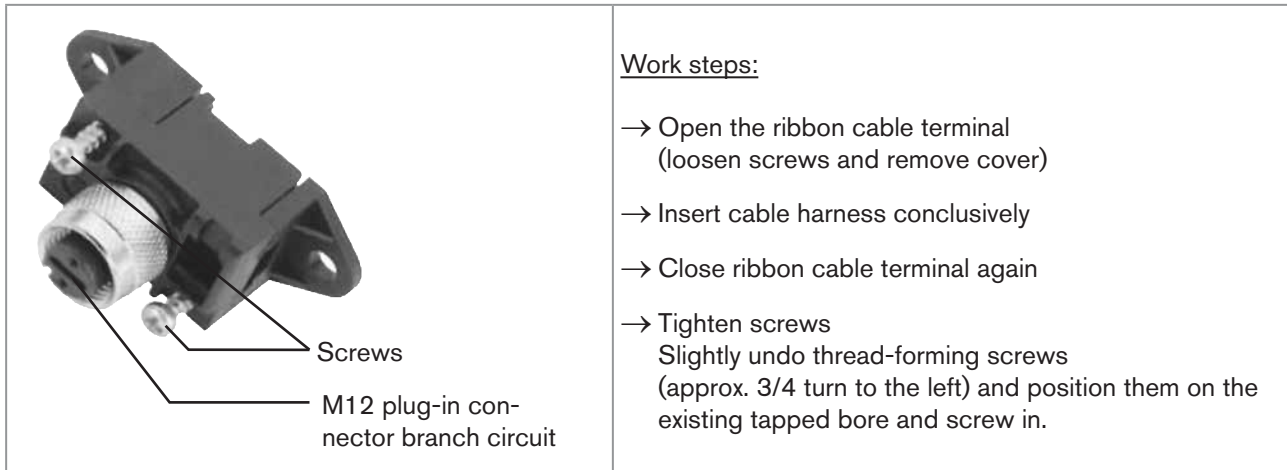


Figure 33: Ribbon cable terminal

The teach function can now be used to automatically determine and read in the end positions of the valve (description of the teach function see chapter "10.5 Teach function (calibrating the end position)").

10.5 Teach function (calibrating the end position)

The teach function can be used to automatically determine and read in the end positions of the valve.



For the bus variant AS-Interface, the teach function can also be started via the bus protocol.



DANGER!

Risk of electric shock.

- ▶ Before working on equipment or device, switch off the power supply and secure to prevent reactivation.
- ▶ Observe applicable accident prevention and safety regulations for electrical equipment.



Necessary requirements:

Before you can actuate the teach function, you must

- mount the control head on the actuator,
- connect the supply voltage,
- connect the compressed-air supply and
- pilot valve OFF (D0 = 0).

Procedure:

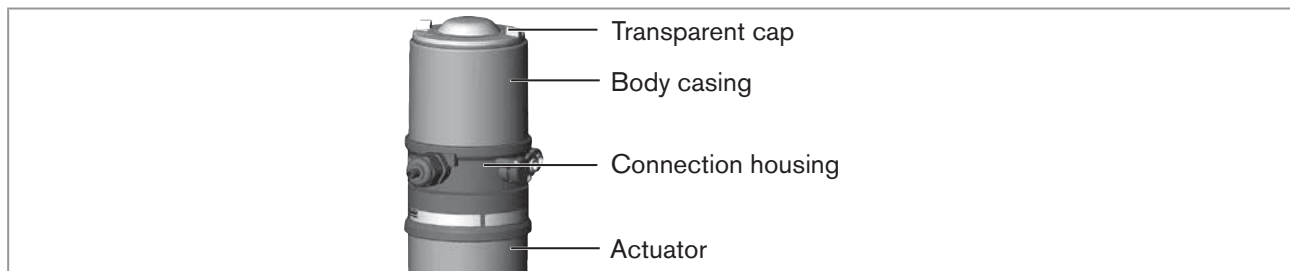


Figure 34: Open control head

NOTE!

Breakage of the pneumatic connection pieces due to rotational impact.

- ▶ When unscrewing and screwing in the transparent cap, do not hold the actuator of the process valve but the connection housing.

- Open the control head: turning the transparent cap anti-clockwise.
- The key in recess for actuating the teach function keep pressed for approximately 5 seconds.
- Only for control heads without pilot valve:
 - When yellow pilot valve LED is lit, move actuator to upper end position.
 - When yellow pilot valve LED goes out again, move actuator to lower end position.

NOTE!

Damage or malfunction due to penetration of dirt and humidity.

To ensure degree of protection IP65 / IP67:

- ▶ Screw the transparent cap in all the way.

→ Close the device (assembly tool: 674077⁸⁾).

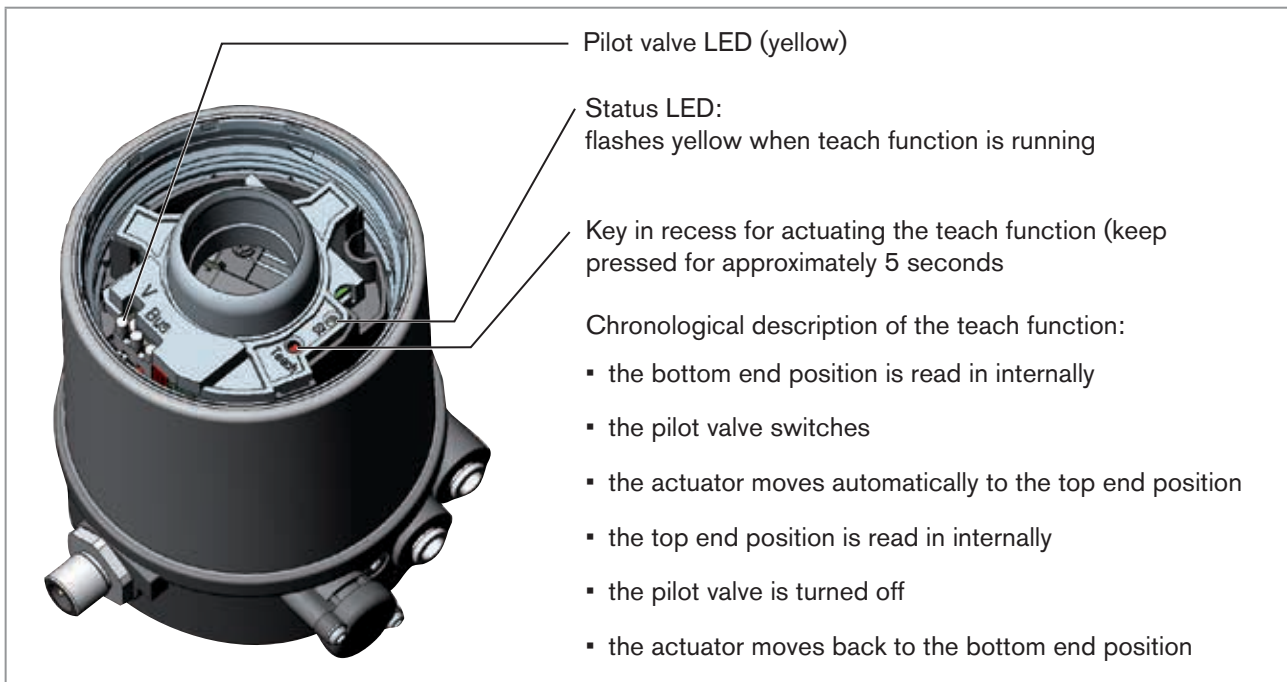


Figure 35: Teach function



When the teach function is activated the actuator cannot be actuated via the AS-Interface communication.

⁸⁾ The assembly tool (674077) is available from your Bürkert sales office.

10.6 Display elements AS-Interface

10.6.1 LED status display

NOTE!

Breakage of the pneumatic connection pieces due to rotational impact.

- ▶ When unscrewing and screwing in the transparent cap, do not hold the actuator of the process valve but the connection housing.

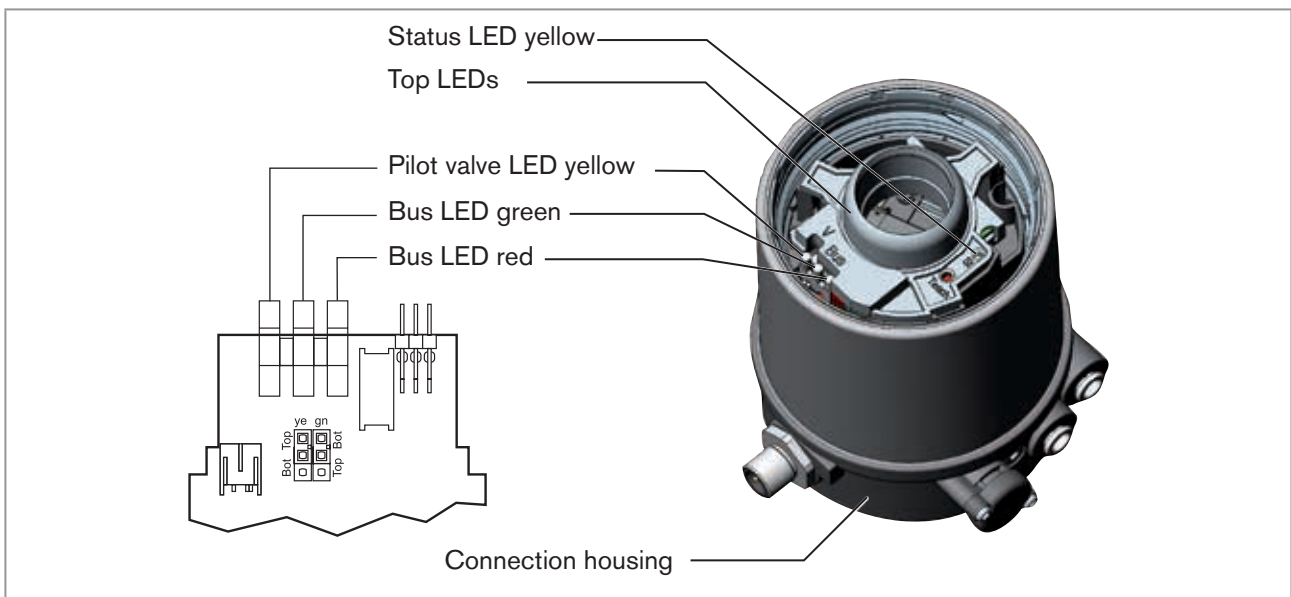


Figure 36: LED status display - AS-Interface

Status LED yellow

LED yellow	
flashing	Teach function is running
flickers	Puck not available → Insert puck

Table 9: Status LED yellow - AS-Interface

Valve LED yellow

The yellow LED (valve) indicates whether the pilot valve is actuated (LED is lit yellow).

Bus LED red and green

The red and green LEDs (bus) indicate the bus status:

LED green	LED red	
off	off	POWER OFF
off	on	No data traffic (expired Watch Dog at slave address does not equal 0)
on	off	OK
flashing	on	Slave address equals 0
off	flashing	Sensor supply overloaded or external reset
flashing	flashing	Teach function error (periphery error)

Table 10: LED Status display bus status

NOTE!

Damage or malfunction due to penetration of dirt and humidity.

To ensure degree of protection IP65 / IP67:

- Screw the transparent cap in all the way.

10.6.2 Device status - assignment of the LEDs

The device status of the control head (transparent cap) is displayed optically by colored high-power LEDs (Top LEDs).

The following functions are shown as standard

Color	Device status
green Top LEDs on	End position bottom
yellow Top LEDs on	End position top
red LED flashing alternately with the green or yellow Top LEDs	no data traffic or Teach function error

Table 11: Assignment of Top LEDs - AS-Interface

10.6.3 Change assignment of the Top LEDs (device status)

⚠ DANGER!

Risk of electric shock.

- ▶ Before working on equipment or device, switch off the power supply and secure to prevent reactivation.
- ▶ Observe applicable accident prevention and safety regulations for electrical equipment.

Procedure:

NOTE!

Breakage of the pneumatic connection pieces due to rotational impact.

- ▶ When unscrewing and screwing in the body casing, do not hold the actuator of the process valve but the connection housing.

→ Unscrew the body casing (stainless steel) in a counter-clockwise direction.

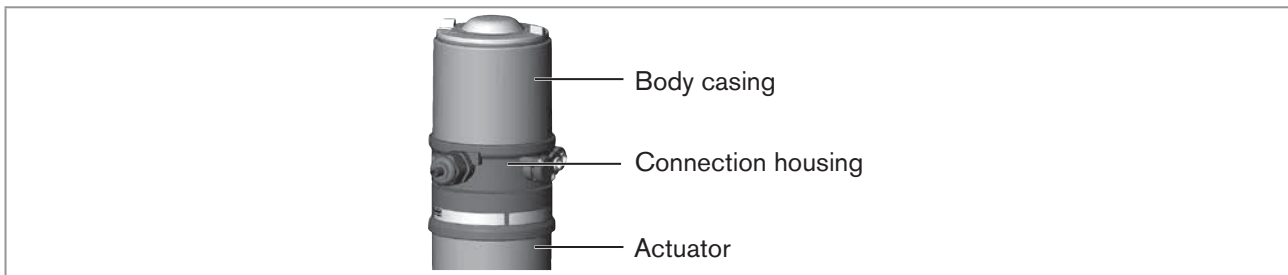


Figure 37: Open control head

→ Using the jumpers, assign the required color to the Top LEDs (see "Figure 38").

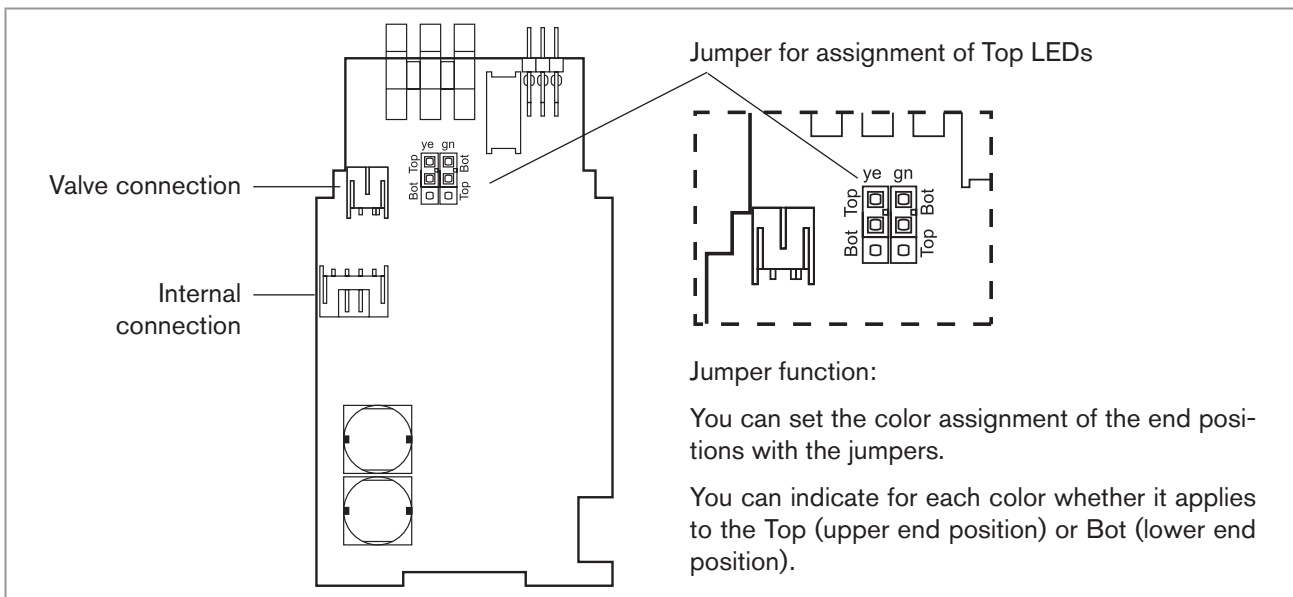


Figure 38: AS-Interface PCB

→ Check that the seal is correctly positioned in the body casing.

NOTE!

Breakage of the pneumatic connection pieces due to rotational impact.

- ▶ When unscrewing and screwing in the body casing, do not hold the actuator of the process valve but the connection housing.

Damage or malfunction due to penetration of dirt and humidity.

To ensure degree of protection IP65 / IP67:

- ▶ Screw the body casing in all the way.

→ Close the device (assembly tool: 674077⁹⁾).

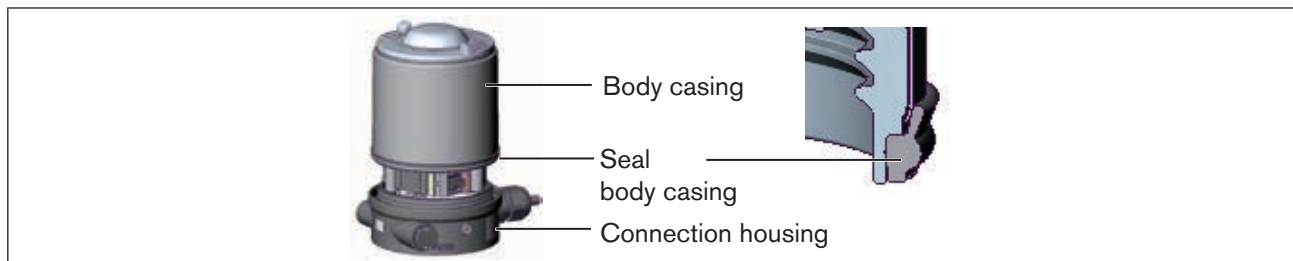


Figure 39: Position of the seal in the body casing

⁹⁾ The assembly tool (674077) is available from your Bürkert sales office.

11 DEVICENET

11.1 Definition

- The DeviceNet is a field bus system which is based on the CAN protocol (Controller Area Network). It enables actuators and sensors (slaves) to be networked with higher-level controllers (master).
- The control head in the DeviceNet is a slave device according to the Predefined Master/Slave Connection Set stipulated in the DeviceNet specification. Polled I/O, Bit Strobed I/O and Change of State (COS) are supported as an I/O connection variant.
- With DeviceNet it is necessary to differentiate between cyclical or event-driven high-priority process messages (I/O Messages) and acyclical low-priority management messages (Explicit Messages).
- The protocol process conforms to the **DeviceNet specification Release 2.0**.

11.2 Technical data

EDS file	BUE8691.EDS
Icons	BUE8691.ICO
Baudrate	125 kbit/s, 250 kbit/s, 500 kbit/s (via DIP switches); Factory setting: 125 kbit/s
Address	0 – 63 (via DIP switches); Factory setting: 63
Process data	1 static input assembly (input: from the control head 8691 to the DeviceNet Master/Scanner) 1 static output assembly

11.3 Maximum line lengths



The maximum total line length (sum of trunk lines and drop lines) of a network depends on the baudrate.

11.3.1 Total line length according to DeviceNet specification

Baudrate	Maximum total line length ¹⁰⁾	
	Thick cable	Thin cable
125 kbaud	500 m	100 m for all baudrates
250 kbaud	250 m	
500 kbaud	100 m	

Table 12: Total line length

¹⁰⁾ According to DeviceNet specification.
If a different cable type is used, lower maximum values apply.

11.3.2 Drop line length

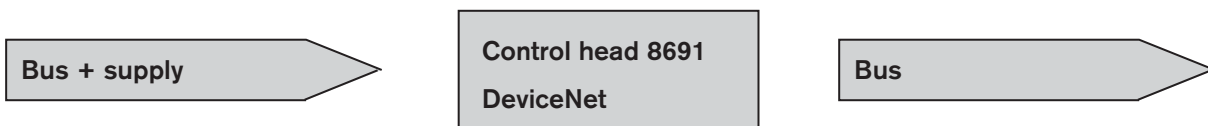
Baudrate	Length of the drop lines	
	Maximum length	Maximum total length in the network
125 kbaud	6 m for all baudrates	156 m
250 kbaud		78 m
500 kbaud		39 m

Table 13: Drop line length

11.4 Safety setting if the bus fails

If the bus fails, the pilot valve is switched to a programmable safety setting (default: pilot valve isolated). For configuration data see chapter entitled "[11.9 Configuring the control head](#)".

11.5 Interfaces



11.6 Electrical connection DeviceNet

The bus line is a 4-core cable with additional shielding which must conform to the DeviceNet specification. The cable transmits both information (data) and energy (power supply for low-power actuators and sensors).

11.6.1 Safety instructions

⚠ DANGER!

Risk of electric shock.

- ▶ Before working on equipment or device, switch off the power supply and secure to prevent reactivation.
- ▶ Observe applicable accident prevention and safety regulations for electrical equipment.

⚠ WARNING!

Risk of injury from improper installation.

- ▶ Installation may be carried out by authorized technicians only and with the appropriate tools.

Risk of injury from unintentional activation of the system and an uncontrolled restart.

- ▶ Secure system from unintentional activation.
- ▶ Following installation, ensure a controlled restart.

11.6.2 Configuration of the PCB DeviceNet

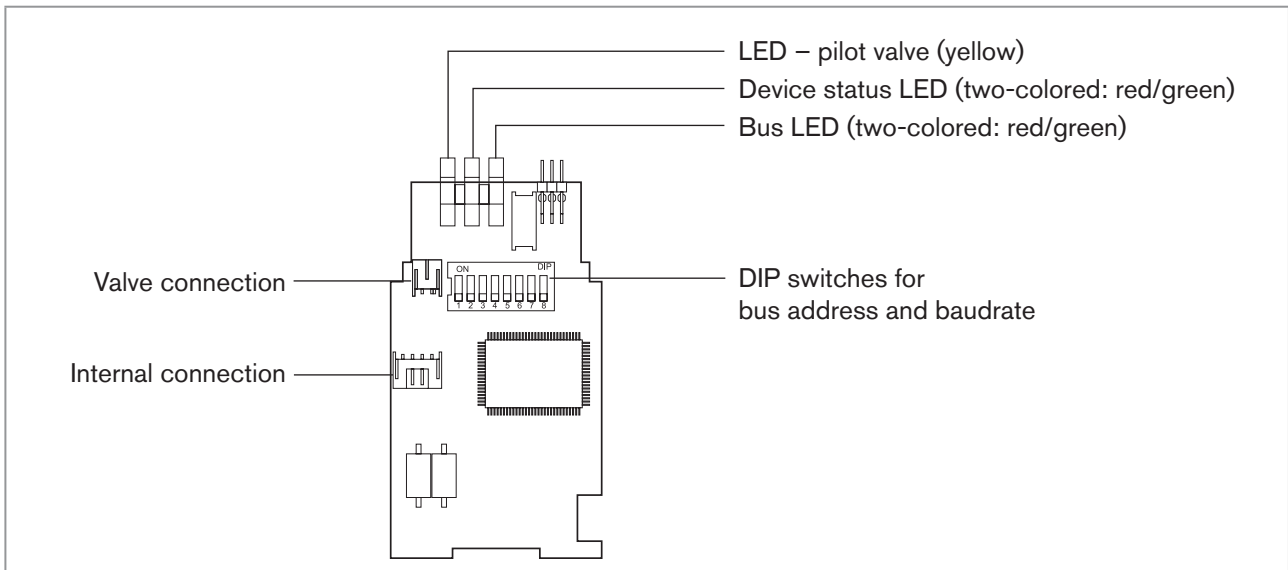


Figure 40: DeviceNet PCB

11.6.3 Bus connection (circular connector M12 x 1, 5-pole, male)

The control head features a 5-pole micro-style circular connector.

The following configuration conforms to the DeviceNet specification.

Pin	1	2	3	4	5
Signal	Shielding	V +	V -	CAN_H	CAN_L

Table 14: Pin assignment circular plug-in connector DeviceNet

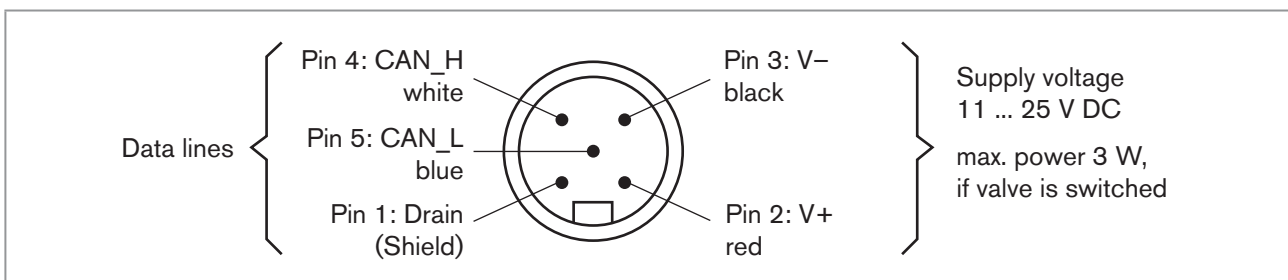


Figure 41: View of plug from the front onto the pins, the soldered connections are behind

11.7 Terminating circuit for DeviceNet systems

When installing a DeviceNet system, ensure that the terminating circuit of the data lines is correct.

The circuit prevents the occurrence of interference caused by signals reflected onto the data lines.

The trunk line must be terminated at both ends with resistors of 120 Ω each and 1/4 W power loss (see "Figure 42: Network topology, DeviceNet").

11.8 Network topology of a DeviceNet system

Line with a trunk line and several drop lines.

Trunk lines and drop lines consist of identical material (see diagram).

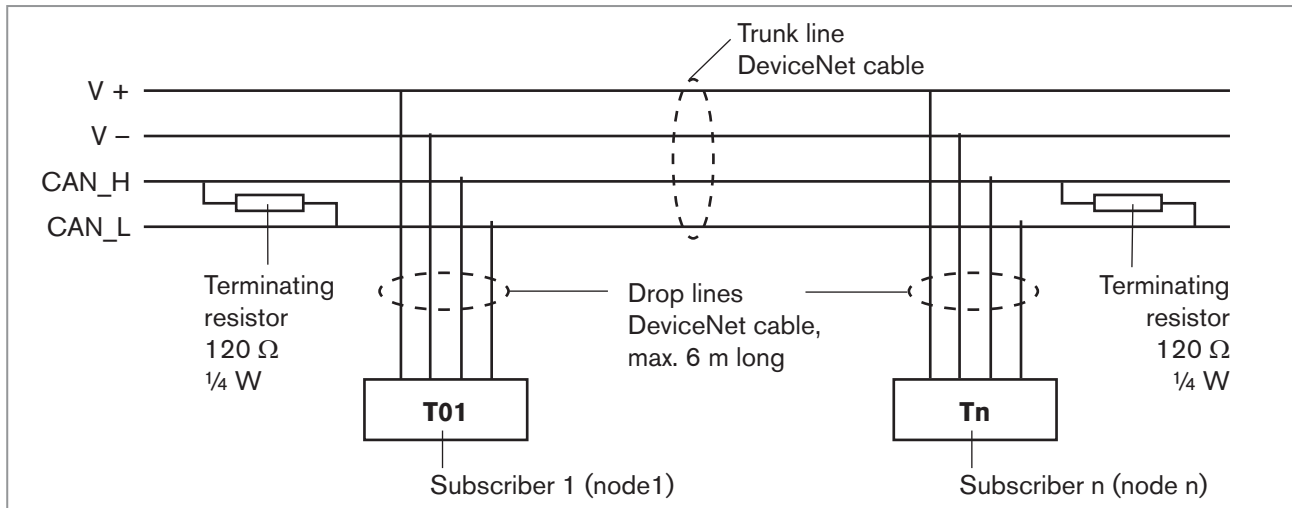


Figure 42: Network topology, DeviceNet

11.9 Configuring the control head

11.9.1 DIP switches

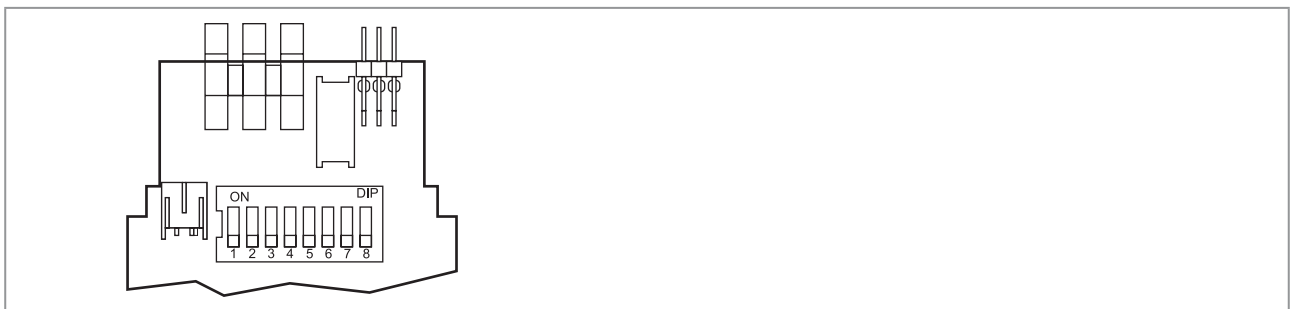


Figure 43: DIP switches DeviceNet

8 DIP switches are available for configuration:

- DIP switches 1 to 6 for the DeviceNet address
- DIP switches 7 to 8 for the baudrate

! DANGER!

Risk of electric shock.

- ▶ Before working on equipment or device, switch off the power supply and secure to prevent reactivation.
- ▶ Observe applicable accident prevention and safety regulations for electrical equipment.

Procedure:

NOTE!

Breakage of the pneumatic connection pieces due to rotational impact.

- ▶ When unscrewing and screwing in the body casing, do not hold the actuator of the process valve but the connection housing.

→ Unscrew the body casing (stainless steel) in a counter-clockwise direction.

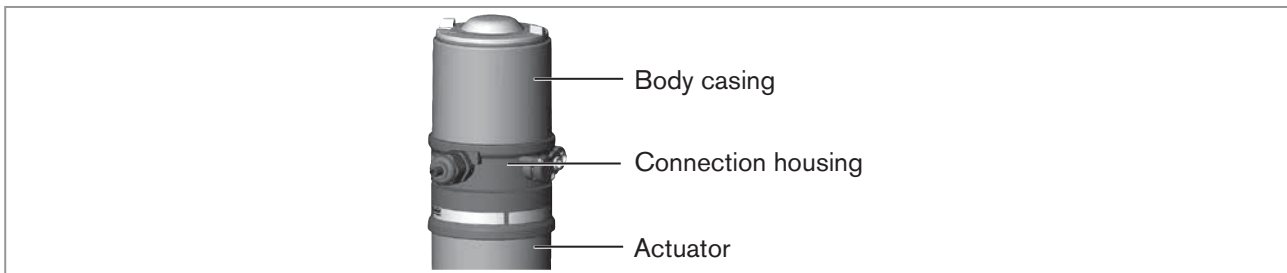


Figure 44: Open control head

→ Set the DIP switches according to the following tables.

Setting the DeviceNet address

MAC ID - Medium Access Control Identifier:

[DIP 1=off=0 / DIP 1=on=1 / MAC ID=DIP 1*2⁰+DIP 2*2¹+ ... +DIP 6*2⁵]

DIP 1 [20=1]	DIP 2 [21=2]	DIP 3 [22=4]	DIP 4 [23=8]	DIP 5 [24=16]	DIP 6 [25=32]	MAC ID
off	off	off	off	off	off	0
on	off	off	off	off	off	1
off	on	off	off	off	off	2
...
off	on	on	on	on	on	62
on	on	on	on	on	on	63

Table 15: Setting the DeviceNet address

Setting the baudrate

Adjusting the control head to the baudrate of the network.

DIP 7	DIP 8	Baudrate
off	off	125 kbaud
on	off	250 kbaud
off	on	500 kbaud
on	on	not permitted

Table 16: Setting the baudrate

→ Check that the seal is correctly positioned in the body casing.

NOTE!

Breakage of the pneumatic connection pieces due to rotational impact.

- ▶ When unscrewing and screwing in the body casing, do not hold the actuator of the process valve but the connection housing.

Damage or malfunction due to penetration of dirt and humidity.

To ensure degree of protection IP65 / IP67:

- ▶ Screw the body casing in all the way.

→ Close the device (assembly tool: 674077¹¹⁾).

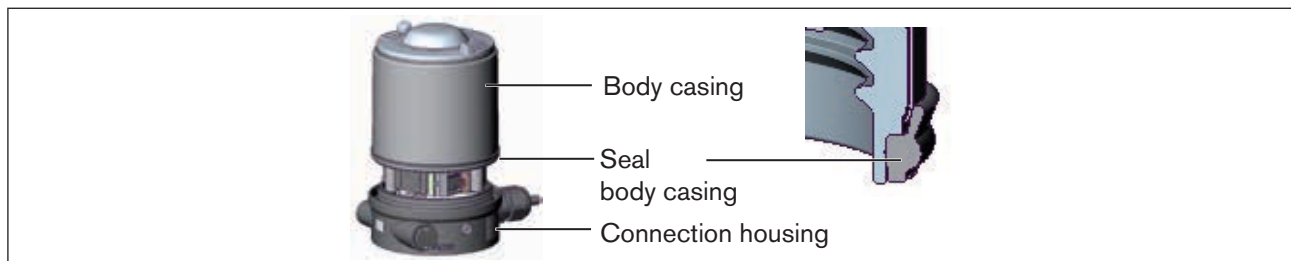


Figure 45: Position of the seal in the body casing



Please note:

If the settings are changed by actuating the DIP switches, this change will not take effect until the device is restarted.

For a restart

- briefly disconnect the control head from the supply voltage and reconnect or
- switch the supply voltage off/on or
- transmit an appropriate reset message.

¹¹⁾ The assembly tool (674077) is available from your Bürkert sales office.

11.10 Configuration of the process data

To transmit process data via an I/O connection, 1 static input and 1 static output assembly can be selected. These assemblies contain selected attributes combined into one object so that process data can be transmitted collectively via an I/O connection.

Process data can be accessed

- cyclically in the connection variants "Polled I/O" and "Bitstrobed I/O", with "Change of state", if input values change, or
- acyclically via Explicit Messages.

The access path for acyclical access is:

```
class 4
instance1
attribute3
```

With the *Get_Attribute_Single* service the input data can be accessed acyclically for reading.
With the *Set_Attribute_Single* service the output data can be accessed acyclically for writing.

1 data byte for inputs:
(sensors or initiators)

Bit	Sensor	Value assignment
Bit 0	End position	0 Bot not reached 1 Bot reached
Bit 1	End position	0 Top not reached 1 Top reached
Bit 2...	not used	0 always
Bit 7		

Table 17: Data byte for inputs

1 data byte for outputs:
(actuators or valves)

Bit	Pilot valve	Value assignment
Bit 0	Y1	0 pilot valve OFF 1 pilot valve ON
Bit 1...	not used	0 always
Bit 7		

Table 18: Data byte for outputs

11.11 Configuration of the safety position of pilot valves for bus error

If a bus fault occurs, the bus status LED may assume the "Green flashing", "Red flashing" or "Red" status. (For a description see ["Status of the bus LED"](#), page 56)

The valve safety position and safety module attributes can be used to configure the pilot valve in the event of a bus fault. If a bus fault occurs, the configuration data of the pilot valves can be accessed acyclically via Explicit Messages.

- The *Get_Attribute_Single* service stands for a read access of the configuration data.
- The *Set_Attribute_Single* service stands for a write access of the configuration data.

1 data byte for safety mode:
(Attribute address: class 150, instance 1, attributes 7)

Bit	Mode	Value assignment
Bit 0	Characteristics in event of bus fault	0 Output safety position 1 Retain last valve position
Bit 1-7	not used	0 always

Table 19: Data byte for safety mode

1 data byte for valve safety position:
(Attribute address: class 150, instance 1, attributes 6)

Bit	Pilot valve	Value assignment
Bit 0	Y1 (pilot valve 1)	0 pilot valve 1 OFF 1 pilot valve 1 ON
Bit 1...	not used	0 always
Bit 7		

Table 20: Data byte for valve safety position

11.12 Teach function (calibrating the end position)

The teach function can be used to automatically determine and read in the end positions of the valve.

! For the bus variant DeviceNet, the teach function can also be started via the bus protocol as well as the communicator software (see "11.12.1 Starting the teach function").

! DANGER!

Risk of electric shock.

- ▶ Before working on equipment or device, switch off the power supply and secure to prevent reactivation.
- ▶ Observe applicable accident prevention and safety regulations for electrical equipment.

! Necessary requirements:

Before you can actuate the teach function, you must

- mount the control head on the actuator,
- connect the supply voltage,
- connect the compressed-air supply and
- connect to the Master.

Procedure:

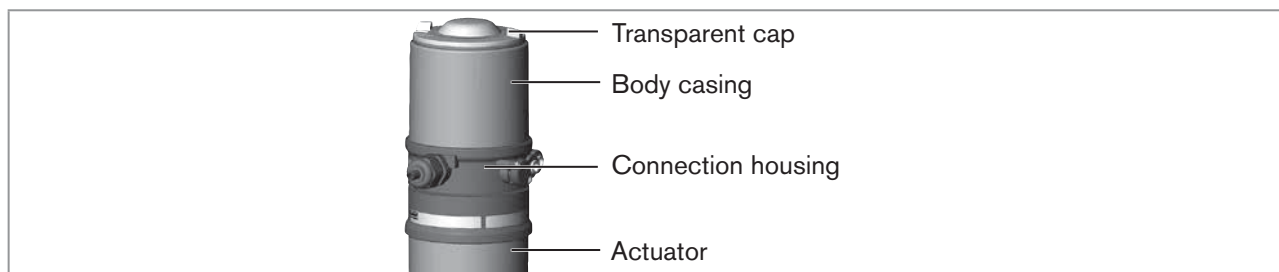


Figure 46: Open control head

NOTE!

Breakage of the pneumatic connection pieces due to rotational impact.

- ▶ When unscrewing and screwing in the transparent cap, do not hold the actuator of the process valve but the connection housing.

→ Open the control head: turning the transparent cap anti-clockwise.

→ The key in recess for actuating the teach function keep pressed for approximately 5 seconds.

→ Only for control heads without pilot valve:

When yellow pilot valve LED is lit, move actuator to upper end position.

When yellow pilot valve LED goes out again, move actuator to lower end position.

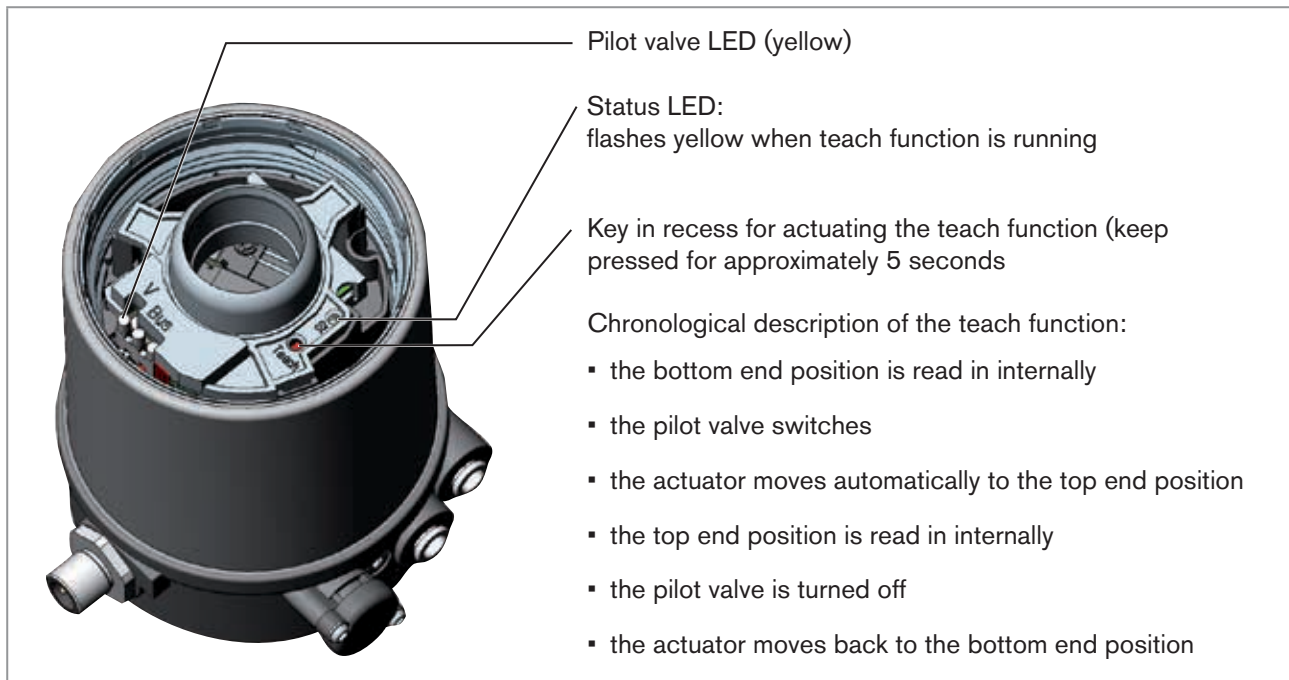


Figure 47: Teach function

NOTE!

Damage or malfunction due to penetration of dirt and humidity.

To ensure degree of protection IP65 / IP67:

- ▶ Screw the transparent cap in all the way.

→ Close the device (assembly tool: 674077¹²⁾).



When the teach function is activated the actuator cannot be actuated via the DeviceNet communication.

¹²⁾ The assembly tool (674077) is available from your Bürkert sales office.

11.12.1 Starting the teach function

The teach function can be started and read out via the "teach function" attribute.

User 2 can receive information through the read out:

- firstly he is informed whether the teach function is completed.
- after the teach function is completed, the result of the function can be read out.

Access occurs acyclically via Explicit Messages with the *Set_Attribute_Single* (write access) service and the *Get_Attribute_Single* service (read access).

1 data byte for teach function:
(Attribute address: class 150, instance 1, attributes 8)

Set_Attribute_Single:

Bit	Mode	Value assignment
Bit 0	Teach function	0 Start teach function
Bit 1	not used	– (only read access permitted)
Bit 2 – 7	not used	0 always

Table 21: *Set_Attribute_Single*

Get_Attribute_Single:

Bit	Mode	Value assignment
Bit 0	Teach function	0 Teach function is running 1 Teach function is completed
Bit 1	Result of teach function (available after end of teach function)	0 Teach function successfully completed 1 Teach function defective
Bit 2 – 7	not used	0 always

Table 22: *Get_Attribute_Single*

11.13 Display elements DeviceNet

11.13.1 LED status display

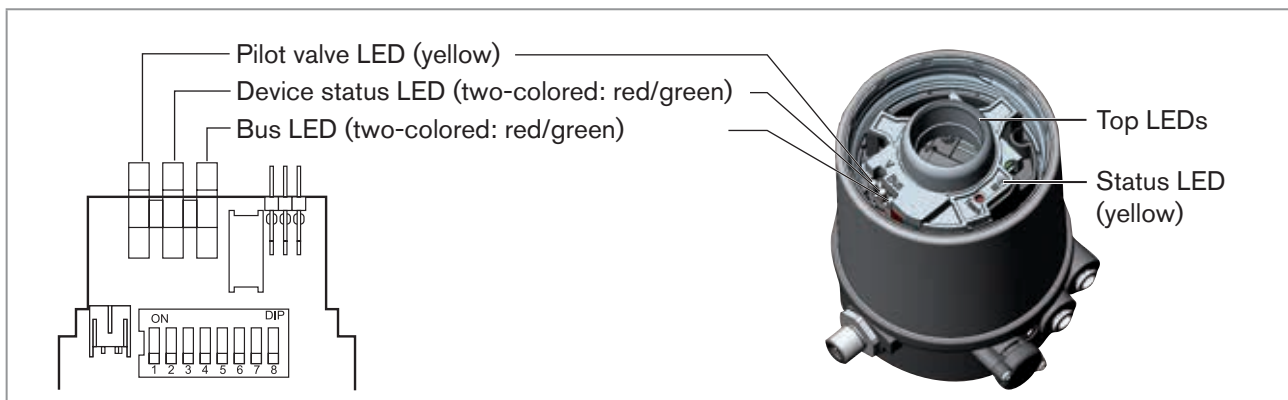


Figure 48: LED display, DeviceNet

11.13.2 Function test of the status LEDs

When voltage has been applied (connection of the network line), the following function test is run for the two-colored device status LED and bus status LED:

- LED is briefly lit green (approx. 1/4 sec)
- LED is briefly lit red (approx. 1/4 sec)
- LED off

Then another function test is run during which the LEDs light up briefly

When the test is complete, the status LEDs indicate the device statuses which are described in the following table.

Status of the bus LED

LED	Device status	Explanation	Troubleshooting
Off	No power supply / not online	<ul style="list-style-type: none"> ▪ Device is not supplied with voltage ▪ Device has still not ended Duplicate MAC ID Test (test lasts approx. 2 sec) ▪ Device cannot end Duplicate MAC ID Test. 	<ul style="list-style-type: none"> ▪ Connect other devices, if the device is the only network subscriber, ▪ replace device ▪ Check baud rate ▪ check bus connection
Green	Online, connection to master exists	<ul style="list-style-type: none"> ▪ Normal operating status with established connection to the master 	
Flashes green	Online, without connection to master	<ul style="list-style-type: none"> ▪ Normal operating status without established connection to the master 	
Flashes red	Connection time-Out	<ul style="list-style-type: none"> ▪ One or more I/O connections are in Time-Out state 	<ul style="list-style-type: none"> ▪ New connection establishment by master to ensure that the I/O data is transmitted cyclically.
Red	Critical fault	<ul style="list-style-type: none"> ▪ Another device with the same MAC ID address is in the circuit ▪ No bus connection due to communication problems 	<ul style="list-style-type: none"> ▪ Check baud rate ▪ If required, replace device

Table 23: Status of the bus LED

Status of the device status LED

LED	Device status	Explanation
Off	No supply	<ul style="list-style-type: none"> ▪ Device is not supplied with voltage
Green	Device is working	<ul style="list-style-type: none"> ▪ Normal operating status

Table 24: Status of the device status LED

Status of the pilot valve LED

LED	Explanation
Off	▪ Pilot valve is not actuated
Yellow	▪ Pilot valve is actuated

Table 25: Status of the pilot valve LED

NOTE!

Damage or malfunction due to penetration of dirt and humidity.

To ensure degree of protection IP65 / IP67:

- ▶ Screw the transparent cap in all the way.

11.13.3 Device status - assignment of the LEDs

The device status of the control head (transparent cap) is displayed optically by colored high-power LEDs (Top LEDs). The assignment of the green and yellow Top LEDs to the end position can be changed via Explicit Messages (attribute address: class 150, instance 1, attribute 9) or via the communication software.

The following functions are shown as standard

Color	Device status
green Top LEDs on	End position bottom
yellow Top LEDs off	End position top
red LED flashing alternately with the green or yellow Top LEDs	<ul style="list-style-type: none"> ▪ online, without connection to the Master ▪ Connection time-out ▪ Critical error

Table 26: Assignment of Top LEDs, DeviceNet

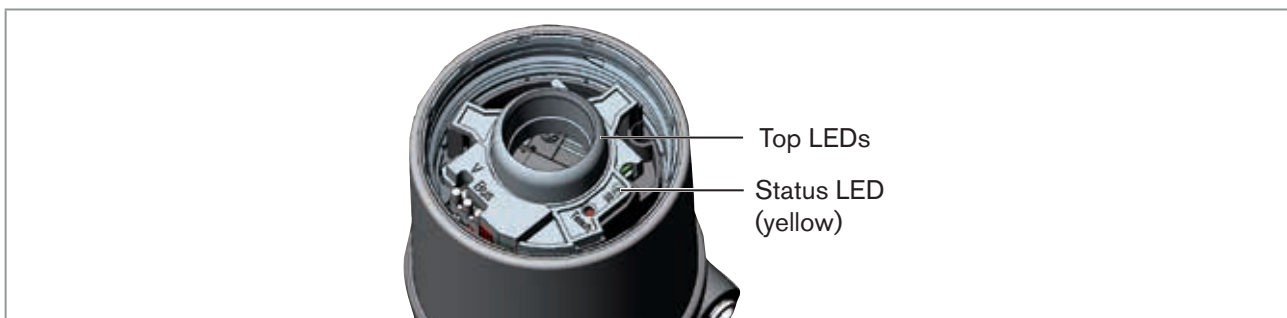


Figure 49: Top LEDs and status LED, DeviceNet

NOTE!

Damage or malfunction due to penetration of dirt and humidity.

To ensure degree of protection IP65 / IP67:

- ▶ Screw the transparent cap in all the way.

11.13.4 Status LED yellow

LED yellow	
flashing	Teach function is running
flickers	Puck not available → Insert puck

Table 27: Status LED yellow, DeviceNet

NOTE!

Damage or malfunction due to penetration of dirt and humidity.

To ensure degree of protection IP65 / IP67:

- ▶ Screw the transparent cap in all the way.

12 SAFETY POSITIONS

Safety positions after failure of the electrical or pneumatic auxiliary power:

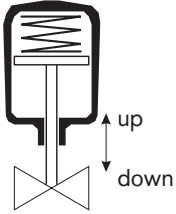
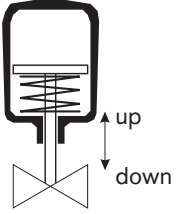
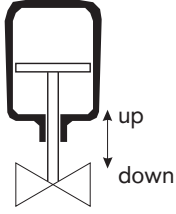
Operating mode	Designation	Safety positions after failure of the auxiliary power	
		Electrical	Pneumatic
	Single-acting Control function A	down	down
	Single-acting Control function B	up	up
	Double-acting Control function I	down	not defined

Table 28: Safety positions

13 MAINTENANCE

13.1 Service at the air intake filter

⚠ DANGER!

Risk of injury from high pressure in the equipment/device.

- ▶ Before working on equipment or device, switch off the pressure and deaerate/drain lines.

To protect the internal pilot valves and the actuator, the pressure supply air is filtered.

The direction of flow of the air intake filter in installed state is from the inside to the outside through the filter material.

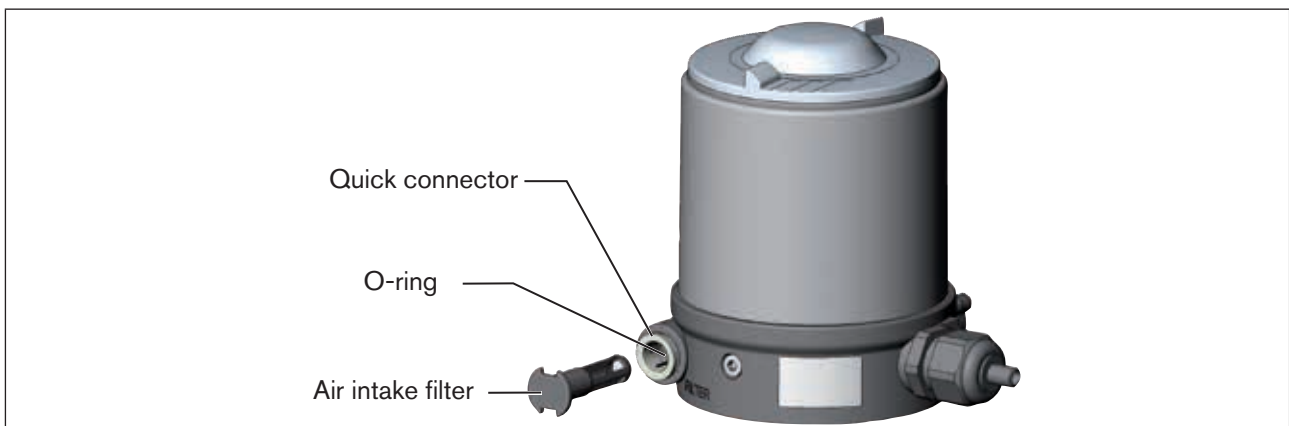


Figure 50: Service on the air intake filter

Procedure:

- Unlock the quick connector by pressing the holding element and pulling out the air intake filter (if necessary, use a suitable tool in between the recesses in the head of the filter).
- Clean the filter or, if necessary, replace the filter.
- Check inner O-ring and, if required, clean.
- Insert the air intake filter all the way into the quick connector.

⚠ DANGER!

Risk of injury due to improper installation.

- ▶ Ensure that the air intake filter is installed correctly.

- Check that the air intake filter is secure.

14 DISASSEMBLY

14.1 Safety instructions

DANGER!

Risk of injury from high pressure in the equipment/device.

- ▶ Before working on equipment or device, switch off the pressure and deaerate/drain lines.

Risk of electric shock.

- ▶ Before working on equipment or device, switch off the power supply and secure to prevent reactivation.
- ▶ Observe applicable accident prevention and safety regulations for electrical equipment.

WARNING!

Risk of injury from improper disassembly.

- ▶ Disassembly may be carried out by authorized technicians only and with the appropriate tools.

Risk of injury from unintentional activation of the system and an uncontrolled restart.

- ▶ Secure system from unintentional activation.
- ▶ Following disassembly, ensure a controlled restart.

14.2 Disassembly the control head

Procedure:

1. Pneumatic connection

DANGER!

Risk of injury from high pressure in the equipment/device.

- ▶ Before working on equipment or device, switch off the pressure and deaerate/drain lines.

→ Loosen the pneumatic connection.

→ Series 20xx:

Loosen the pneumatic connection between control head and actuator.

2. Electrical connection

DANGER!

Risk of electric shock.

- ▶ Before working on equipment or device, switch off the power supply and secure to prevent reactivation.
- ▶ Observe applicable accident prevention and safety regulations for electrical equipment.

Circular plug-in connector:

→ Loosen the circular connector.

Cable gland:

→ Open the control head: unscrewing the transparent cap in an anticlockwise direction.

→ Unscrew the screw terminals and pull out cables.

→ Close the control head.

3. Mechanical connection

→ Loosen the fastening screws.

→ Remove the control head upwards.

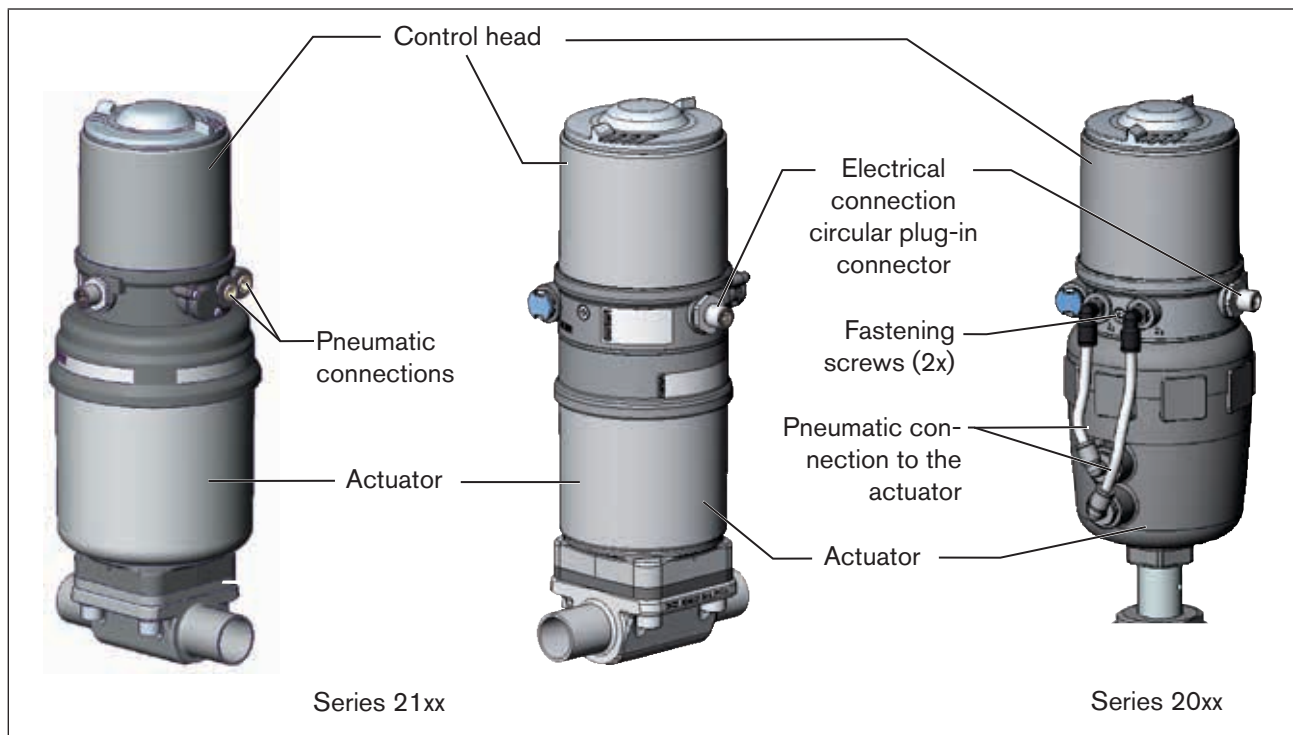


Figure 51: Disassembly the control head

15 ACCESSORIES

Designation	Order no.
Connection cable M12 x 1, 8-pole	919061
Special key	665702
Assembly tool	674077
USB adapter for connection to a PC in conjunction with an extension cable	227093
Communicator	Information at www.burkert.com

Table 29: Accessories

15.1 Communications software

The PC operating program “Communicator” is designed for communication with the devices Type 8691 with bus control via DeviceNet. Devices constructed since April 2014 support the full range of functions. If you have any questions regarding compatibility, please contact the Bürkert Sales Center.



A detailed description and precise schedule of the procedure for the installation and operation of the software can be found in the associated documentation.

15.2 USB interface

The PC requires an USB interface for communication with the devices as well as an additional adapter with interface driver (see “Table 29: Accessories”).

The data transfer must be according to HART specification.

15.3 Download

Download the software at: www.burkert.com

16 PACKAGING AND TRANSPORT

Transport damages.

Inadequately protected equipment may be damaged during transport.

- ▶ Protect the unit against wet and dirt during transport and pack safely in shock-resistant packaging.
- ▶ Avoid the effects of heat and cold which could result in temperatures above or below the permitted storage temperature.

17 STORAGE

Incorrect storage may damage the device.

- ▶ Store the device in a dry and dust-free location.
- ▶ Storage temperature: -20 – +65°C.

18 DISPOSAL

→ Dispose of the device and packaging in an environmentally friendly manner.

Damage to the environment caused by device components contaminated with media.

- ▶ Observe the relevant disposal and environmental protection regulations.



Note:

Observe the national waste disposal regulations.

Steuerkopf Typ 8691

INHALT

1	DIE BEDIENUNGSANLEITUNG.....	69
1.1	Darstellungsmittel	69
1.2	Begriffsdefinition / Abkürzung.....	69
2	BESTIMMUNGSGEMÄSSE VERWENDUNG.....	70
2.1	Beschränkungen	70
3	GRUNDLEGENDE SICHERHEITSHINWEISE	71
4	ALLGEMEINE HINWEISE	72
4.1	Kontaktadresse.....	72
4.2	Gewährleistung.....	72
4.3	Warenzeichen.....	72
4.4	Informationen im Internet.....	72
5	SYSTEMBESCHREIBUNG.....	73
5.1	Aufbau und Funktion.....	73
5.1.1	Steuerkopf für den integrierten Anbau an 21xx.....	73
5.1.2	Variante zur Ansteuerung von Prozessventilen der Reihe 20xx.....	74
6	TECHNISCHE DATEN.....	75
6.1	Konformität.....	75
6.2	Normen.....	75
6.3	Zulassungen	75
6.4	Betriebsbedingungen	75
6.5	Mechanische Daten	75
6.6	Typschilder	76
6.6.1	Typschild Standard	76
6.6.2	UL-Typschild.....	76
6.6.3	UL-Zusatzschild.....	76
6.7	Pneumatische Daten.....	77

6.8	Elektrische Daten.....	77
6.8.1	Elektrische Daten ohne Busansteuerung 24 V DC.....	77
6.8.2	Elektrische Daten mit Busansteuerung AS-Interface	77
6.8.3	Elektrische Daten mit Busansteuerung DeviceNet.....	78
7	MONTAGE.....	79
7.1	Sicherheitshinweise	79
7.2	Montage des Steuerkopfs Typ 8691 an Prozessventile der Reihe 21xx.....	79
7.3	Montage des Steuerkopfs Typ 8691 an Prozessventile der Reihe 20xx.....	83
7.4	Drehen des Antriebsmoduls.....	86
7.5	Drehen des Steuerkopfs bei Prozessventilen der Reihe 20xx	88
8	PNEUMATISCHE INSTALLATION	89
9	ELEKTRISCHE INSTALLATION 24 V DC.....	90
9.1	Sicherheitshinweise	90
9.2	Elektrische Installation mit Kabelverschraubung.....	90
9.3	Elektrische Installation mit Rundsteckverbinder	92
9.4	Teachfunktion (Einmessen der Endstellungen)	92
9.5	Anzeigeelemente 24 V DC.....	94
9.5.1	LED - Zustandsanzeige.....	94
9.5.2	Gerätestatusanzeige - Zuordnung der Top LEDs.....	95
9.5.3	Zuordnung der Top LEDs ändern (Gerätestatus).....	96
10	AS-INTERFACE-INSTALLATION.....	98
10.1	AS-Interface-Anschaltung.....	98
10.2	Technische Daten für AS-Interface-Platinen.....	98
10.3	Programmierdaten	98
10.4	Elektrische Installation AS-Interface.....	99
10.4.1	Sicherheitshinweise	99
10.4.2	Anschluss mit Rundsteckverbinder M12 x 1, 4-polig, male.....	99
10.4.3	Anschluss mit Multipolkabel und Flachkabelklemme	100
10.5	Teachfunktion (Einmessen der Endstellungen)	101

10.6	Anzeigeelemente AS-Interface	103
10.6.1	LED Zustandsanzeige	103
10.6.2	Gerätestatus - Zuordnung der Top LEDs.....	104
10.6.3	Zuordnung der Top LEDs ändern (Gerätestatus).....	105
11	DEVICENET-INSTALLATION.....	107
11.1	Begriffserklärung	107
11.2	Technische Daten	107
11.3	Maximale Leitungslängen.....	107
11.3.1	Gesamtleitungslänge nach DeviceNet-Spezifikation	107
11.3.2	Stichleitungslänge (Drop Lines).....	108
11.4	Sicherheitsstellung bei Ausfall des Busses.....	108
11.5	Schnittstellen	108
11.6	Elektrische Installation DeviceNet.....	108
11.6.1	Sicherheitshinweise	108
11.6.2	Aufbau der Platine DeviceNet	109
11.6.3	Bus-Anschluss (Rundstecker M12 x 1, 5-polig, male).....	109
11.7	Abschlussbeschaltung für DeviceNet-Systeme.....	109
11.8	Netztopologie eines DeviceNet-Systems	110
11.9	Konfigurieren des Steuerkopfs.....	110
11.9.1	DIP-Schalter	110
11.10	Konfiguration der Prozessdaten.....	113
11.11	Konfiguration der Sicherheitsstellung von Steuerventilen bei Busfehler.....	114
11.12	Teachfunktion (Einmessen der Endstellungen)	115
11.12.1	Starten der Teachfunktion	117
11.13	Anzeigeelemente DeviceNet	117
11.13.1	LED Zustandsanzeige	117
11.13.2	Funktionstest der Geräte Status LED und Bus LED.....	118
11.13.3	Gerätestatus - Zuordnung der Top LEDs.....	119
11.13.4	Status LED gelb.....	120
12	SICHERHEITSSTELLUNGEN.....	121

13	WARTUNG	122
	13.1 Service am Zuluftfilter	122
14	DEMONTAGE	123
	14.1 Sicherheitshinweise	123
	14.2 Demontage Steuerkopf	123
15	ZUBEHÖR	125
	15.1 Kommunikationssoftware	125
	15.2 USB-Schnittstelle	125
	15.3 Download	125
16	VERPACKUNG, TRANSPORT	126
17	LAGERUNG	126
18	ENTSORGUNG	126

1 DIE BEDIENUNGSANLEITUNG

Die Bedienungsanleitung beschreibt den gesamten Lebenszyklus des Geräts. Bewahren Sie diese Anleitung so auf, dass sie für jeden Benutzer gut zugänglich ist und jedem neuen Eigentümer des Geräts wieder zur Verfügung steht.

Wichtige Informationen zur Sicherheit.

Lesen Sie die Bedienungsanleitung sorgfältig durch. Beachten Sie vor allem die Kapitel *Grundlegende Sicherheitshinweise* und *Bestimmungsgemäßer Verwendung*.

- ▶ Die Bedienungsanleitung muss gelesen und verstanden werden.

1.1 Darstellungsmittel



GEFAHR!

Warnt vor einer unmittelbaren Gefahr.

- ▶ Bei Nichtbeachtung sind Tod oder schwere Verletzungen die Folge.



WARNUNG!

Warnt vor einer möglicherweise gefährlichen Situation.

- ▶ Bei Nichtbeachtung drohen schwere Verletzungen oder Tod.



VORSICHT!

Warnt vor einer möglichen Gefährdung.

- ▶ Nichtbeachtung kann mittelschwere oder leichte Verletzungen zur Folge haben.

HINWEIS!

Warnt vor Sachschäden.

- ▶ Bei Nichtbeachtung kann das Gerät oder die Anlage beschädigt werden.



bezeichnet wichtige Zusatzinformationen, Tipps und Empfehlungen.



verweist auf Informationen in dieser Bedienungsanleitung oder in anderen Dokumentationen.

- ▶ markiert eine Anweisung zur Gefahrenvermeidung.
- markiert einen Arbeitsschritt, den Sie ausführen müssen.

1.2 Begriffsdefinition / Abkürzung

Der in dieser Anleitung verwendete Begriff „Gerät“ steht immer für den Steuerkopf Typ 8691.

Die in dieser Anleitung verwendete Abkürzung „Ex“ steht immer für „explosionsgefährdet“.

2 BESTIMMUNGSGEMÄSSE VERWENDUNG

Bei nicht bestimmungsgemäßer Verwendung des Steuerkopfs Typ 8691 können Gefahren für Personen, Anlagen in der Umgebung und die Umwelt entstehen.

Das Gerät ist für den Anbau an pneumatische Antriebe von Prozessventilen zur Steuerung von Medien konzipiert.

- ▶ Im explosionsgefährdeten Bereich darf der Steuerkopf Typ 8691 nur entsprechend der Spezifikation auf dem separaten Klebeschild für die Zulassung eingesetzt werden. Für den Einsatz muss die dem Gerät beiliegende Zusatzanleitung mit Sicherheitshinweisen für den Ex-Bereich beachtet werden.
- ▶ Geräte ohne separates Klebeschild für die Zulassung dürfen nicht im explosionsgefährdeten Bereich eingesetzt werden.
- ▶ Gerät nicht der direkten Sonneneinstrahlung aussetzen.
- ▶ Für den Einsatz die in den Vertragsdokumenten und der Bedienungsanleitung spezifizierten zulässigen Daten, Betriebs- und Einsatzbedingungen beachten. Diese sind im Kapitel „6 Technische Daten“ beschrieben.
- ▶ Gerät nur in Verbindung mit von Bürkert empfohlenen bzw. zugelassenen Fremdgeräten und -komponenten einsetzen.
- ▶ Angesichts der Vielzahl von Einsatz- und Verwendungsfällen, muss vor dem Einbau geprüft und erforderlichenfalls getestet werden, ob der Steuerkopf für den konkreten Einsatzfall geeignet ist.
- ▶ Voraussetzungen für den sicheren und einwandfreien Betrieb sind sachgemäßer Transport, sachgemäße Lagerung und Installation sowie sorgfältige Bedienung und Instandhaltung.
- ▶ Steuerkopf Typ 8691 nur bestimmungsgemäß verwenden.

2.1 Beschränkungen

Beachten Sie bei der Ausführung des Systems/Geräts gegebenenfalls bestehende Beschränkungen.

3 GRUNDLEGENDE SICHERHEITSHINWEISE

Diese Sicherheitshinweise berücksichtigen keine

- Zufälligkeiten und Ereignisse, die bei Montage, Betrieb und Wartung der Geräte auftreten können.
- ortsbezogenen Sicherheitsbestimmungen, für deren Einhaltung, auch in Bezug auf das Montagepersonal, der Betreiber verantwortlich ist.



Verletzungsgefahr durch hohen Druck in Anlage/Gerät.

- ▶ Vor Arbeiten an Anlage oder Gerät, den Druck abschalten und Leitungen entlüften/entleeren.

Gefahr durch Stromschlag.

- ▶ Vor Arbeiten an Anlage oder Gerät, die Spannung abschalten und vor Wiedereinschalten sichern.
- ▶ Die geltenden Unfallverhütungs- und Sicherheitsbestimmungen für elektrische Geräte beachten.

Allgemeine Gefahrensituationen.

Zum Schutz vor Verletzungen ist zu beachten:

- ▶ Dass die Anlage nicht unbeabsichtigt betätigt werden kann.
- ▶ Installations- und Instandhaltungsarbeiten dürfen nur von autorisiertem Fachpersonal mit geeignetem Werkzeug ausgeführt werden.
- ▶ Nach einer Unterbrechung der elektrischen oder pneumatischen Versorgung ist ein definierter oder kontrollierter Wiederanlauf des Prozesses zu gewährleisten.
- ▶ Gerät darf nur in einwandfreiem Zustand und unter Beachtung der Bedienungsanleitung betrieben werden.
- ▶ Für die Einsatzplanung und den Betrieb des Geräts müssen die allgemeinen Regeln der Technik eingehalten werden.

Zum Schutz vor Sachschäden am Gerät ist zu beachten:

- ▶ In den Steuerluftanschluss keine aggressiven oder brennbaren Medien einspeisen.
- ▶ In den Steuerluftanschluss keine Flüssigkeiten einspeisen.
- ▶ Beim Abschrauben und Einschrauben des Gehäusemantels oder der Klarsichthaube nicht am Antrieb des Prozessventils, sondern am Anschlussgehäuse des Typs 8691 gegenhalten.
- ▶ Gehäuse nicht mechanisch belasten (z. B. durch Ablage von Gegenständen oder als Trittstufe).
- ▶ Keine äußerlichen Veränderungen an den Gerätegehäusen vornehmen. Gehäuseteile und Schrauben nicht lackieren.

4 ALLGEMEINE HINWEISE

4.1 Kontaktadresse

Deutschland

Bürkert Fluid Control System
Sales Center
Chr.-Bürkert-Str. 13-17
D-74653 Ingelfingen
Tel. + 49 (0) 7940 - 10 91 111
Fax + 49 (0) 7940 - 10 91 448
E-mail: info@de.buerkert.com

International

Die Kontaktadressen finden Sie auf den letzten Seiten der gedruckten Bedienungsanleitung.

Außerdem im Internet unter:

www.burkert.com

4.2 Gewährleistung

Voraussetzung für die Gewährleistung ist der bestimmungsgemäße Gebrauch des Steuerkopfs unter Beachtung der spezifizierten Einsatzbedingungen.

4.3 Warenzeichen

Die aufgeführten Marken sind Warenzeichen der entsprechenden Firmen / Vereine / Organisationen

Loctite Henkel Loctite Deutschland GmbH

4.4 Informationen im Internet

Bedienungsanleitungen und Datenblätter zum Typ 8691 finden Sie im Internet unter:

www.buerkert.de

5 SYSTEMBESCHREIBUNG

5.1 Aufbau und Funktion

Der Steuerkopf Typ 8691 kann einfach- oder doppeltwirkende Prozessventile ansteuern.

Der Steuerkopf Typ 8691 ist für den integrierten, modularen Anbau an Prozessventile der Reihe 21xx optimiert. Der modulare Aufbau ermöglicht verschiedene Ausbaustufen.

Für den Anbau an die Reihe 20xx gibt es eine spezielle Variante, die in Kapitel „5.1.2“ beschrieben ist.

Die Erfassung der Ventilstellung erfolgt über ein kontaktloses, analoges Sensorelement, welches bei der Inbetriebnahme die Ventilendstellungen automatisch mittels Teachfunktion erkennt und speichert.

Neben der elektrischen Stellungsrückmeldung wird der Gerätestatus am Steuerkopf selbst optisch durch farbige Hochleistungs-LED dargestellt.

Option: Kommunikation über AS-Interface oder DeviceNet möglich.

5.1.1 Steuerkopf für den integrierten Anbau an 21xx

Ansichten ohne Klarsichthaube und Gehäusemantel

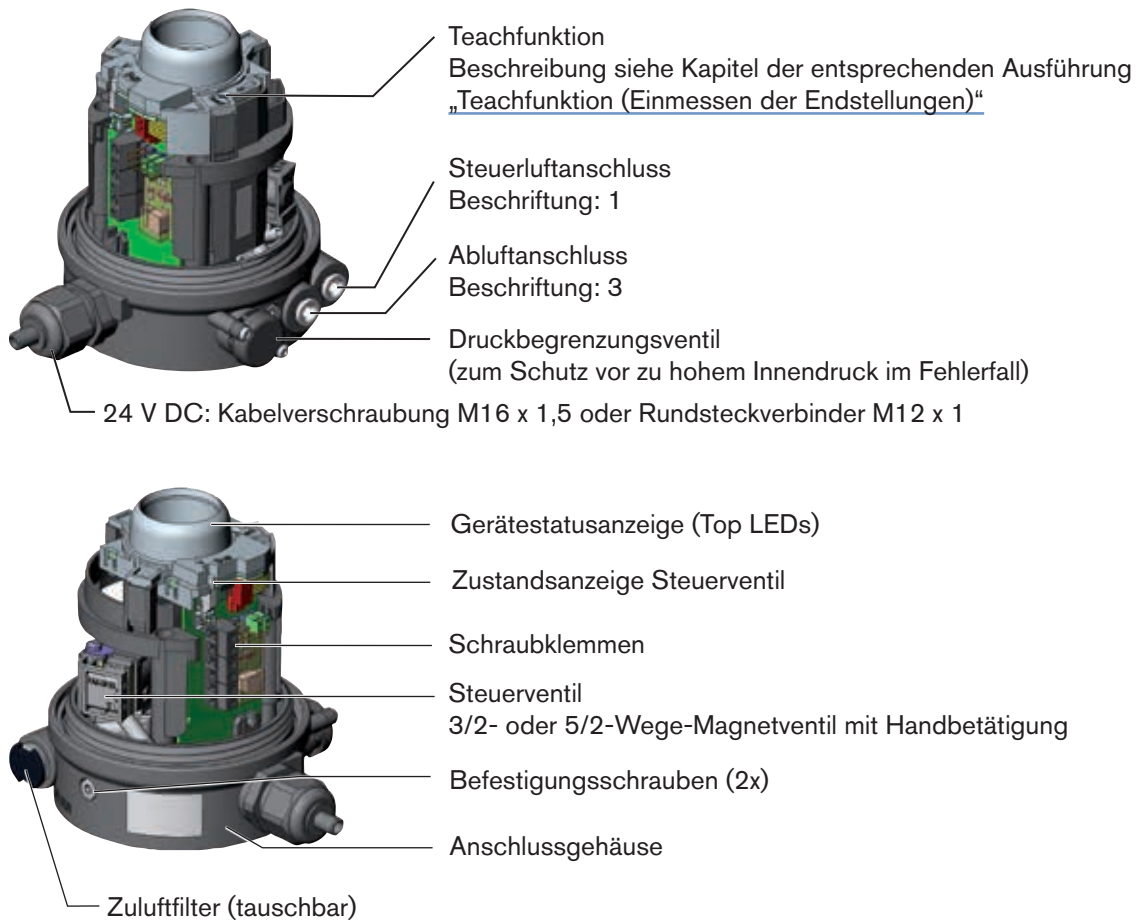


Bild 1: Aufbau und Funktion

5.1.2 Variante zur Ansteuerung von Prozessventilen der Reihe 20xx

Mit einer speziellen Variante kann der Steuerkopf Typ 8691 an Prozessventile der Reihe 20xx angebaut werden.

Diese Variante besitzt ein anderes Anschlussgehäuse, damit die Steuerluftanschlüsse extern am Antrieb angeschlossen werden können (siehe „Bild 2“).

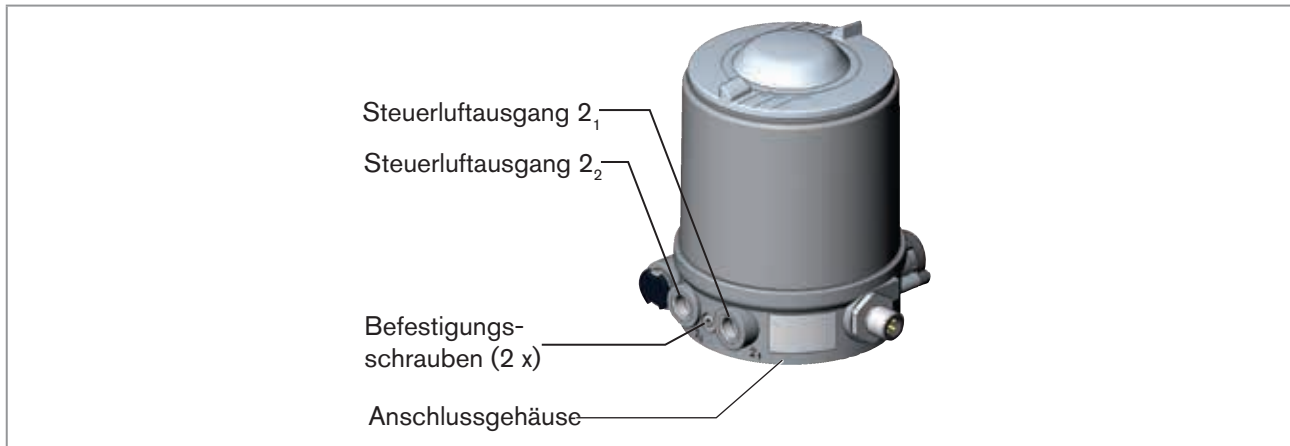


Bild 2: Variante für Prozessventile der Reihe 20xx

6 TECHNISCHE DATEN

6.1 Konformität

Der Steuerkopf Typ 8691 ist konform zu den EG-Richtlinien entsprechend der EG-Konformitätserklärung.

6.2 Normen

Die angewandten Normen, mit denen die Konformität mit den EG-Richtlinien nachgewiesen wird, sind in der EG-Baumusterprüfbescheinigung und/oder der EG-Konformitätserklärung nachzulesen.

6.3 Zulassungen

Das Produkt ist entsprechend der ATEX Richtlinie 94/9/EG der Kategorie 3GD zum Einsatz in Zone 2 und 22 zugelassen.



Hinweise für den Einsatz im Ex-Bereich beachten. Siehe Zusatzanleitung ATEX.

Das Produkt ist cULus zugelassen. Hinweise für den Einsatz im UL-Bereich siehe Kapitel „6.8 Elektrische Daten“.

6.4 Betriebsbedingungen



WARNUNG!

Sonneneinstrahlung und Temperaturschwankungen können Fehlfunktionen oder Undichtheiten bewirken.

- ▶ Das Gerät bei Einsatz im Außenbereich nicht ungeschützt den Witterungsverhältnissen aussetzen.
- ▶ Darauf achten, dass die zulässige Umgebungstemperatur nicht über- oder unterschritten wird.

Umgebungstemperatur siehe Typschild

Schutzart

Vom Hersteller bewertet:	Von UL bewertet:
IP65 / IP67 nach EN 60529 ¹⁾	UL Type 4x Rating ¹⁾

¹⁾ Nur bei korrekt angeschlossener Kabel bzw. Stecker und Buchsen und bei Beachtung des Abluftkonzepts im Kapitel „8 Pneumatische Installation“.

6.5 Mechanische Daten

Maße siehe Datenblatt

Gehäusewerkstoff außen: PPS, PC, VA

Dichtungswerkstoff außen: EPDM
 innen: NBR

Hubbereich Ventilspindel 2 ... 28 mm
 2 ... 47 mm

6.6 Typschilder

6.6.1 Typschild Standard

Beispiel:

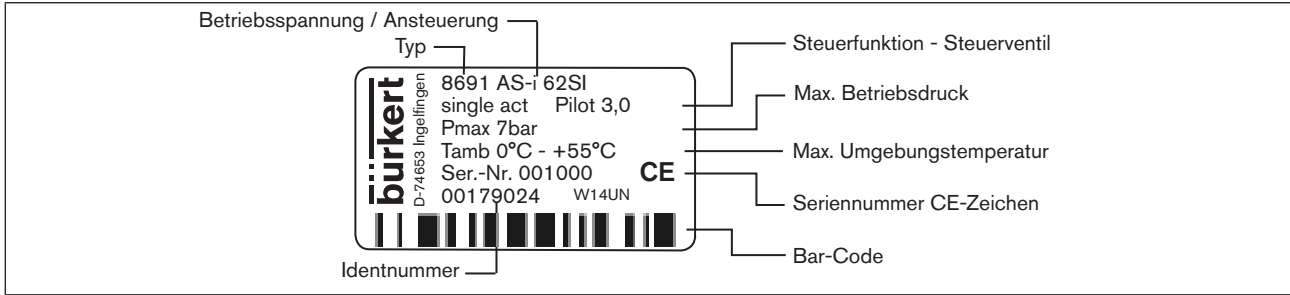


Bild 3: Typschild (Beispiel)

6.6.2 UL-Typschild

Beispiel:

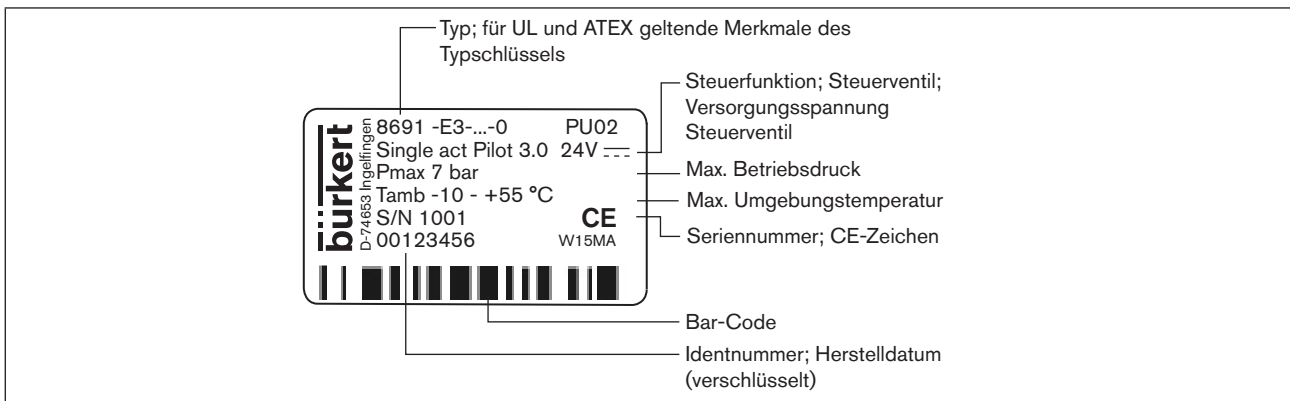


Bild 4: UL-Typschild (Beispiel)

6.6.3 UL-Zusatzschild

Beispiel:

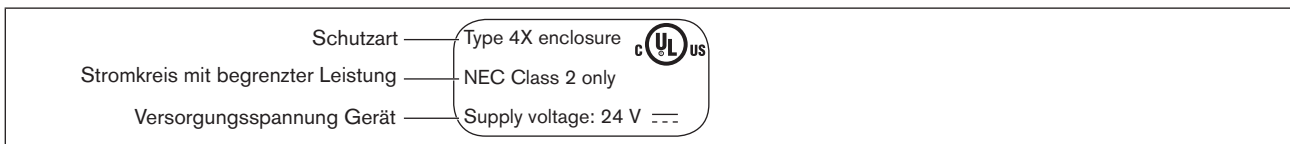


Bild 5: UL-Zusatzschild (Beispiel)

6.7 Pneumatische Daten

Steuermedium		neutrale Gase, Luft; Qualitätsklassen nach ISO 8573-1
Staubgehalt	Klasse 7	max. Teilchengröße 40 µm, max. Teilchendichte 10 mg/m ³
Wassergehalt	Klasse 3	max. Drucktaupunkt -20 °C oder min. 10 °C unterhalb der niedrigsten Betriebstemperatur
Ölgehalt	Klasse X	max. 25 mg/m ³
Temperaturbereich		-10 ... +50 °C
Druckbereich		3 ... 7 bar
Luftleistung Steuerventil		250 I _N /min (für Be- und Entlüftung) (Q _{Nn} -Wert nach Definition bei Druckabfall von 7 auf 6 bar absolut)
Anschlüsse		Schlauchsteckverbinder Ø 6 mm / 1/4" Muffenanschluss G 1/8

6.8 Elektrische Daten



WARNUNG!

Bei UL zugelassenen Komponenten dürfen nur Stromkreise begrenzter Leistung nach „NEC Class 2“ verwendet werden.

6.8.1 Elektrische Daten ohne Busansteuerung 24 V DC

Schutzklasse	3 nach DIN EN 61140 (VDE 0140-1)
Anschlüsse	Kabelverschraubung M16 x 1,5 SW22 (Klemmbereich 5 ... 10 mm) mit Schraubklemmen für Leitungsquerschnitte 0,14 ... 1,5 mm ² Rundsteckverbinder (M12 x 1, 8-polig)
Steuerventil	
Betriebsspannung	24 V DC ± 10 % - max. Restwelligkeit 10 %
Leistungsaufnahme	max. 1 W
Ausgang	max. 100 mA je Ausgang
Anzeige	max. 20 mA je dargestellte Leuchtanzeige (LED)

6.8.2 Elektrische Daten mit Busansteuerung AS-Interface

Schutzklasse	3 nach DIN EN 61140 (VDE 0140-1)
Anschlüsse	Rundsteckverbinder (M12 x 1, 4-polig)
Betriebsspannung	29,5 V ... 31,6 V DC (gemäß Spezifikation)
Ausgänge	
Max. Schaltleistung	1 W über AS-Interface
Watchdogfunktion	integriert

Geräte ohne externe Versorgungsspannung:

Max. Stromaufnahme 120 mA

Stromaufnahme im Normalbetrieb
(nach Stromabsenkung;

Ventil + 1 Endstellung erreicht) 90 mA

Geräte mit externer Versorgungsspannung:

Externe Versorgungsspannung 24 V ± 10 %

Das Netzgerät muss eine sichere Trennung nach
IEC 364-4-41 (PELV oder SELV) enthalten

Max. Stromaufnahme 55 mA (nach Stromabsenkung ≤ 30 mA)

Max. Stromaufnahme aus AS-Interface 55 mA

6.8.3 Elektrische Daten mit Busansteuerung DeviceNet

Schutzklasse 3 nach DIN EN 61140 (VDE 0140-1)

Anschlüsse Rundsteckverbinder (M12 x 1, 5-polig)

Betriebsspannung 11 V ... 25 V

Max. Stromaufnahme < 80 mA

Ausgang	Anzugsstrom	≤ 50 mA
	Haltestrom	≤ 30 m

7 MONTAGE

7.1 Sicherheitshinweise



GEFAHR!

Verletzungsgefahr durch hohen Druck in Anlage/Gerät.

- ▶ Vor Arbeiten an Anlage oder Gerät, den Druck abschalten und Leitungen entlüften/entleeren.

Gefahr durch Stromschlag.

- ▶ Vor Arbeiten an Anlage oder Gerät, die Spannung abschalten und vor Wiedereinschalten sichern.
- ▶ Die geltenden Unfallverhütungs- und Sicherheitsbestimmungen für elektrische Geräte beachten.



WARNUNG!

Verletzungsgefahr bei unsachgemäßer Montage.

- ▶ Die Montage darf nur autorisiertes Fachpersonal mit geeignetem Werkzeug durchführen.

Verletzungsgefahr durch ungewolltes Einschalten der Anlage und unkontrollierten Wiederanlauf.

- ▶ Anlage vor unbeabsichtigtem Betätigen sichern.
- ▶ Nach der Montage einen kontrollierten Wiederanlauf gewährleisten.

7.2 Montage des Steuerkopfs Typ 8691 an Prozessventile der Reihe 21xx

HINWEIS!

Bei Montage an Prozessventile mit Schweißgehäuse die Montagehinweise in der Bedienungsanleitung des Prozessventils beachten.

Vorgehensweise:

1. Schaltspindel montieren

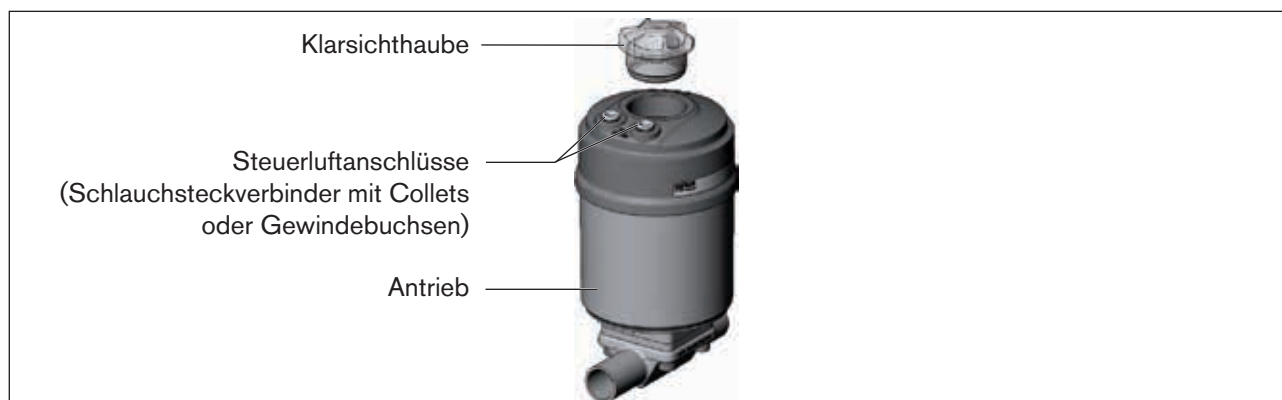


Bild 6: Montage der Schaltspindel (1), Reihe 21xx

→ Klarsichthaube am Antrieb und die Stellungsanzeige (gelbe Kappe) an der Spindelverlängerung abschrauben (falls vorhanden).

→ Bei Variante mit Schlauchsteckverbinder die Collets (weiße Tüllen) aus den beiden Steuerluftanschlüssen entfernen (falls vorhanden).

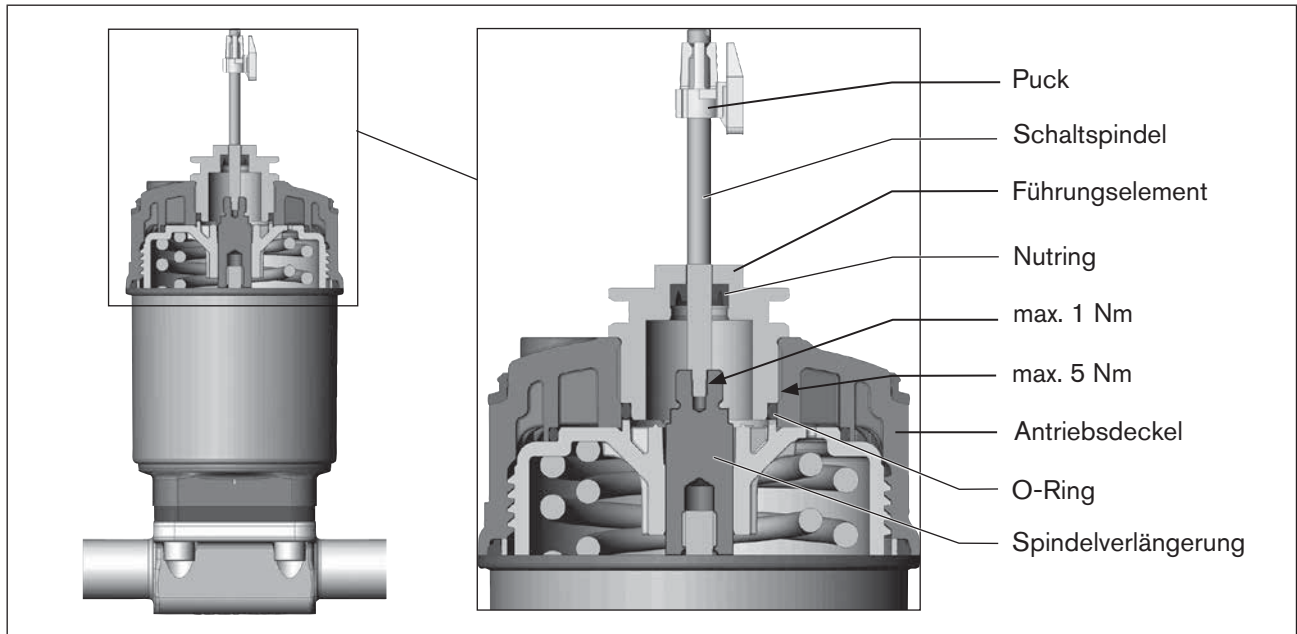


Bild 7: Montage der Schaltspindel (2), Reihe 21xx

HINWEIS!

Unsachgemäße Montage kann den Nutring im Führungselement beschädigen.

Der Nutring ist im Führungselement schon vormontiert und muss im Hinterschnitt „eingrastet“ sein.

▶ Bei Montage der Schaltspindel den Nutring nicht beschädigen.

→ Schaltspindel durch das Führungselement schieben.

HINWEIS!

Schraubensicherungslack kann den Nutring kontaminieren.

▶ Kein Schraubensicherungslack auf die Schaltspindel auftragen.

→ Zur Sicherung der Schaltspindel etwas Schraubensicherungslack (Loctite 290) in die Gewindebohrung der Spindelverlängerung im Antrieb einbringen.

→ Korrekte Position des O-Rings prüfen.

→ Führungselement mit dem Antriebsdeckel verschrauben (maximales Drehmoment: 5 Nm).

→ Schaltspindel auf die Spindelverlängerung schrauben. Dazu ist an der Oberseite ein Schlitz angebracht (maximales Drehmoment: 1 Nm).

→ Puck auf die Schaltspindel aufschieben und einrasten.

2. Dichtringe montieren

- Formdichtung auf den Antriebsdeckel aufziehen (kleinere Durchmesser zeigt nach oben).
- Korrekte Position der O-Ringe in den Steuerluftanschlüssen prüfen.



Bei Montage des Steuerkopfs dürfen die Collets der Steuerluftanschlüsse am Antrieb nicht montiert sein.

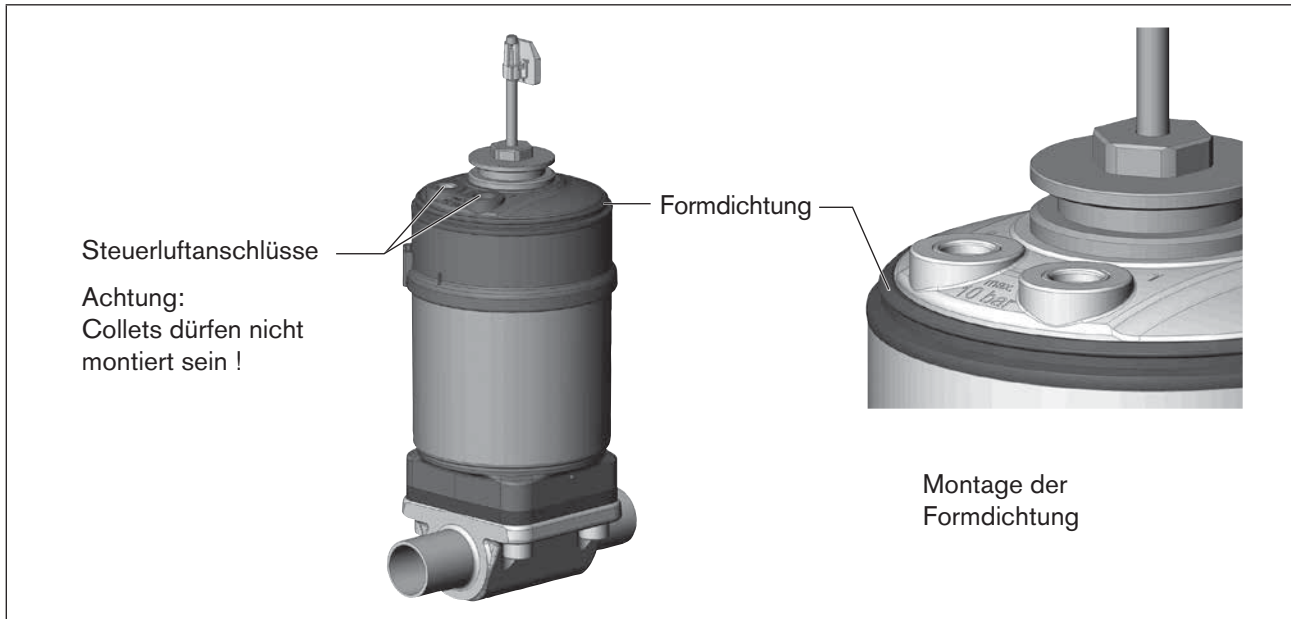


Bild 8: Montage der Dichtringe, Reihe 21xx

3. Steuerkopf montieren

HINWEIS!

Beschädigung der Platine oder Funktionsausfall.

- ▶ Darauf achten, dass der Puck plan auf der Führungsschiene aufliegt.

→ Puck und Steuerkopf so ausrichten, dass

1. der Puck in die Führungsschiene des Steuerkopfs (siehe „Bild 9“) und
2. die Verbindungsstutzen des Steuerkopfs in die Steuerluftanschlüsse des Antriebs (siehe „Bild 10“) hineinfinden.

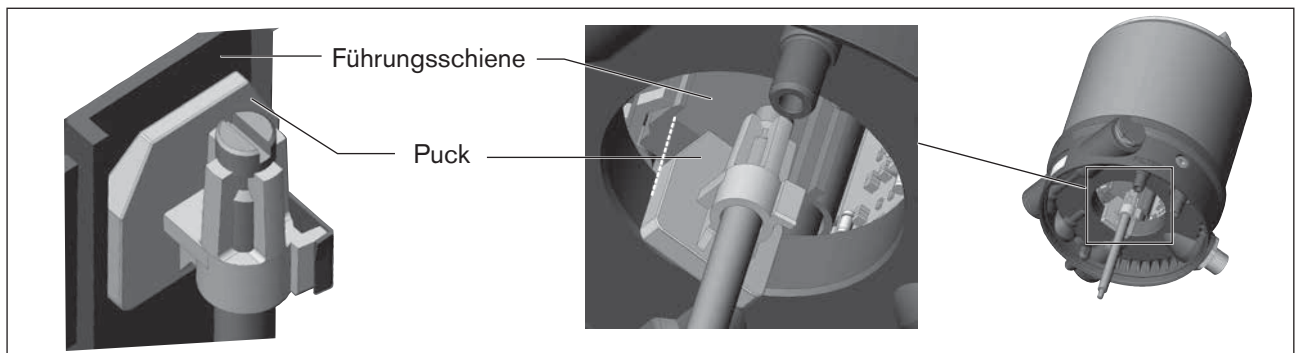


Bild 9: Ausrichten des Pucks

→ Steuerkopf ohne Drehbewegung soweit auf den Antrieb schieben, dass an der Formdichtung kein Spalt mehr sichtbar ist.

HINWEIS!

Durch ein zu hohes Drehmoment beim Einschrauben der Befestigungsschraube kann die Schutzart IP65 / IP67 nicht sichergestellt werden.

- ▶ Befestigungsschrauben nur mit einem maximalen Drehmoment von 1,5 Nm anziehen.

→ Steuerkopf mit den beiden seitlichen Befestigungsschrauben auf dem Antrieb befestigen. Dabei die Schrauben nur leicht anziehen (maximales Drehmoment: 1,5 Nm).

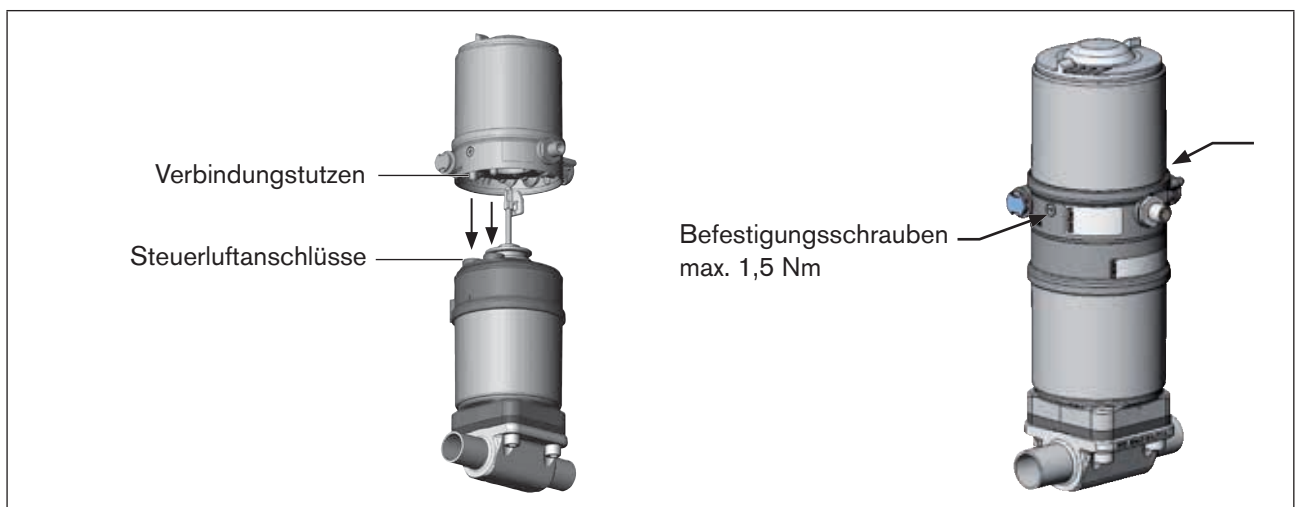


Bild 10: Montage Steuerkopf, Reihe 21xx

7.3 Montage des Steuerkopfs Typ 8691 an Prozessventile der Reihe 20xx

Vorgehensweise:

1. Schaltspindel montieren

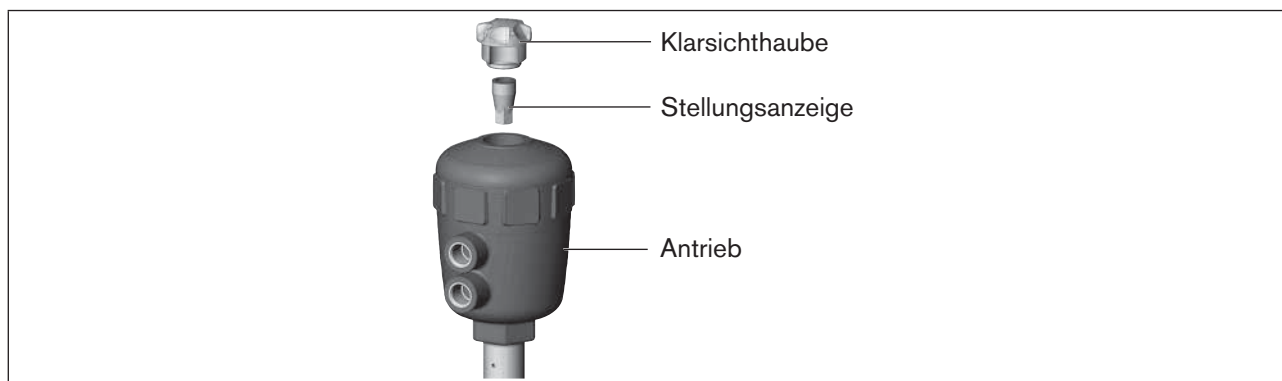


Bild 11: Montage der Schaltspindel (1), Reihe 20xx

→ Klarsichthaube für die Stellungsanzeige am Antrieb abschrauben.

→ Im Inneren des Antriebs die orange/gelbe Stellungsanzeige mit einem Innensechskantschlüssel abschrauben.

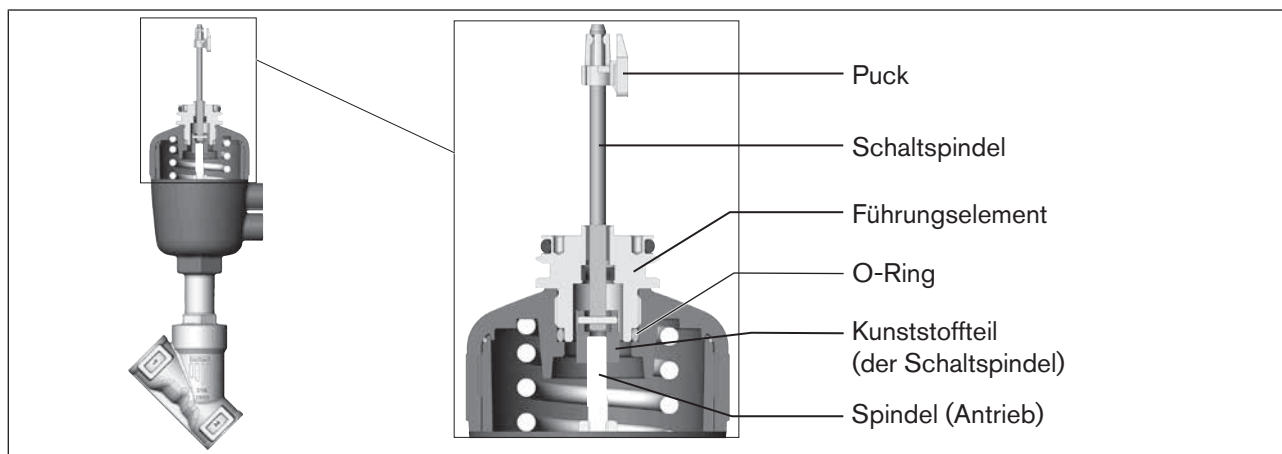


Bild 12: Montage der Schaltspindel (2), Reihe 20xx

→ O-Ring nach unten in den Deckel des Antriebs drücken.

→ Von Hand die Schaltspindel (und das übergesteckte Führungselement) mit dem Kunststoffteil an die Spindel des Antriebs schrauben, diese zunächst nicht festziehen.

→ Führungselement in den Deckel des Antriebs mit einem Stirnlochschlüssel²⁾ einschrauben (Drehmoment: 8,0 Nm).

→ Schaltspindel an der Spindel des Antriebs festziehen. Dazu ist an der Spindel­seite ein Schlitz angebracht (Drehmoment: 1,0 Nm).

→ Puck auf die Schaltspindel aufschieben und einrasten.

²⁾ Zapfen Ø: 3 mm; Zapfenabstand: 23,5 mm

2. Blending und Steuerkopf montieren

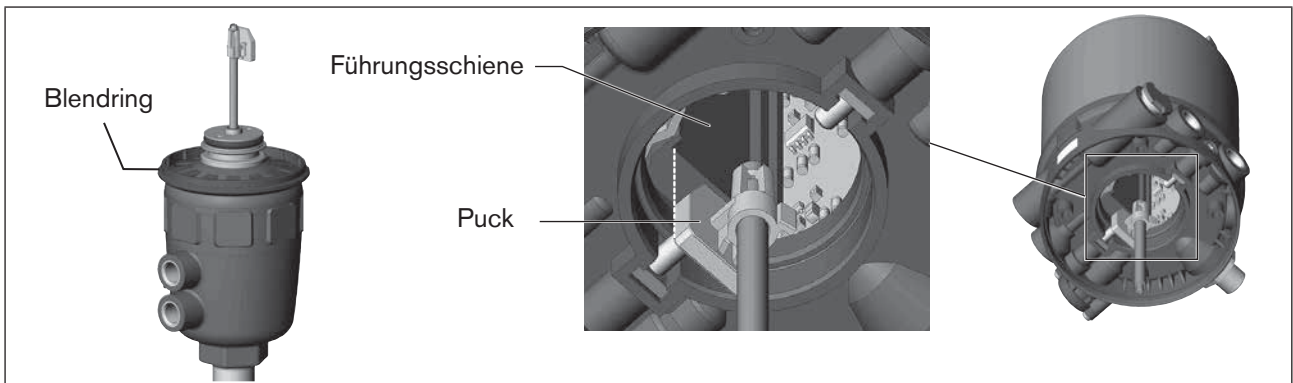


Bild 13: Montage des Blendrings und Ausrichten des Pucks

→ Blending auf den Antriebsdeckel aufziehen (nur für die Antriebsgrößen $\varnothing 50$ und $\varnothing 63$).

HINWEIS!

Beschädigung der Platine oder Funktionsausfall.

- Darauf achten, dass der Puck plan auf der Führungsschiene aufliegt.

→ Steuerkopf auf den Antrieb schieben. Dabei den Puck so ausrichten, dass er in die Führungsschiene des Steuerkopfs hineinfindet.

→ Steuerkopf ganz bis zum Antrieb herunterdrücken und durch Drehen in die gewünschte Position ausrichten.

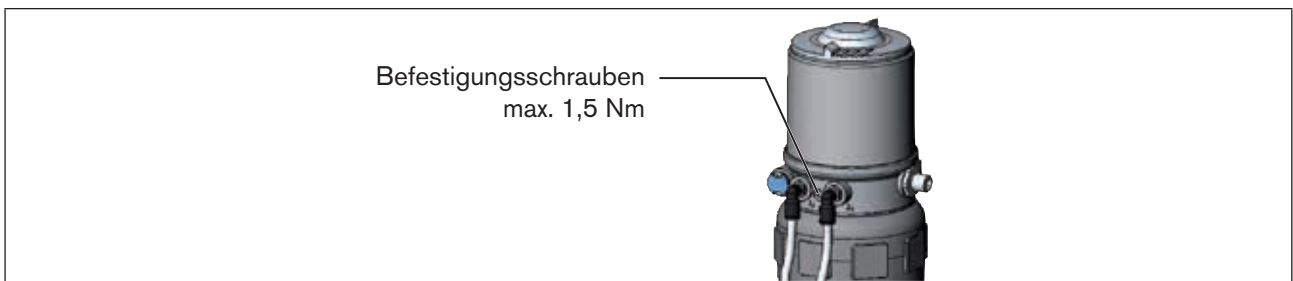


Bild 14: Montage des Steuerkopfs



Darauf achten, dass die pneumatischen Anschlüsse des Steuerkopfs und die des Antriebs vorzugsweise vertikal übereinander liegen (siehe „Bild 15“).

Bei einer anderen Positionierung könnten längere Schläuche erforderlich sein, als die im Zubehör mitgeliefert.

HINWEIS!

Durch ein zu hohes Drehmoment beim Einschrauben der Befestigungsschraube kann die Schutzart IP65 / IP67 nicht sichergestellt werden.

- Befestigungsschrauben nur mit einem maximalen Drehmoment von 1,5 Nm anziehen.

→ Steuerkopf mit den beiden seitlichen Befestigungsschrauben auf dem Antrieb befestigen. Dabei die Befestigungsschrauben nur leicht anziehen (maximales Drehmoment: 1,5 Nm).

3. Pneumatische Verbindung Steuerkopf - Antrieb montieren

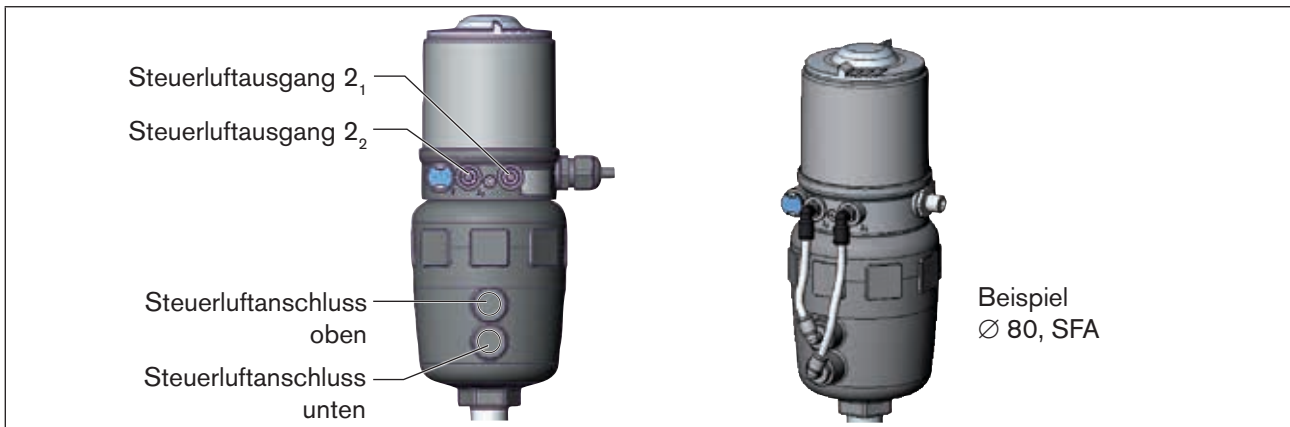


Bild 15: Montage der pneumatischen Verbindungen, Reihe 20xx

- Schlauchsteckverbinder an den Steuerkopf und den Antrieb schrauben.
- Mit den im Zubehörsatz mitgelieferten Schläuchen die pneumatische Verbindung zwischen Steuerkopf und Antrieb mit nachfolgender „Tabelle 1“ oder „Tabelle 2“ herstellen.

HINWEIS!

Beschädigung oder Funktionsausfall durch Eindringen von Verschmutzung und Feuchtigkeit.

- ▶ Zur Einhaltung der Schutzart IP65 / IP67 den nicht benötigten Steuerluftausgang (bei SFA und SFB) mit dem freien Steuerluftanschluss des Antriebs verbinden oder mit einem Verschlussstopfen verschließen.

Steuerfunktion A (SFA)		
Prozessventil in Ruhestellung geschlossen (durch Federkraft)		
Steuerkopf	Steuerluftausgang	
Antrieb	Steuerluftanschluss oben	
	Steuerluftanschluss unten	
oder		
Steuerkopf	Steuerluftausgang	
Antrieb	Steuerluftanschluss oben	
	Steuerluftanschluss unten	
oder		
Steuerfunktion B (SFB)		
Prozessventil in Ruhestellung offen (durch Federkraft)		
Steuerkopf	Steuerluftausgang	
Antrieb	Steuerluftanschluss oben	
	Steuerluftanschluss unten	
oder		
Steuerkopf	Steuerluftausgang	
Antrieb	Steuerluftanschluss oben	
	Steuerluftanschluss unten	

Tabelle 1: Pneumatische Verbindung mit Antrieb SFA und SFB

Steuerfunktion I (SFI)		
Prozessventil in Ruhestellung geschlossen		
Steuerkopf	Steuerluftausgang	
Antrieb	Steuerluftanschluss oben	
	Steuerluftanschluss unten	
Prozessventil in Ruhestellung offen		
Steuerkopf	Steuerluftausgang	
Antrieb	Steuerluftanschluss oben	
	Steuerluftanschluss unten	

Tabelle 2: Pneumatische Verbindung mit Antrieb SFI



„In Ruhestellung“ bedeutet, dass die Steuerventile der Ansteuerung Typ 8691 stromlos bzw. nicht betätigt sind.



Bei feuchter Umgebungsluft kann bei Steuerfunktion A bzw. bei Steuerfunktion B eine Schlauchverbindung zwischen Steuerluftausgang 2₂ des Steuerkopfs und der nicht angeschlossenen Steuerluftanschluss des Antriebs hergestellt werden. Dadurch wird die Federkammer des Antriebs mit trockener Luft aus dem Entlüftungskanal des Steuerkopfs versorgt.

7.4 Drehen des Antriebsmoduls



Das Antriebsmodul (Steuerkopf und Antrieb) kann nur bei Geradsitz- und Schrägsitzventilen gedreht werden.

Die Position der Anschlüsse kann durch Verdrehen des Antriebsmoduls (Steuerkopf und Antrieb) um 360° stufenlos ausgerichtet werden.



Prozessventile Typ 2100 und 2101: Es kann nur das gesamte Antriebsmodul gedreht werden. Das Verdrehen des Steuerkopfs gegen den Antrieb ist nicht möglich.

Das Prozessventil muss sich beim Ausrichten des Antriebsmoduls in geöffneter Stellung befinden.



GEFAHR!

Verletzungsgefahr durch hohen Druck in Anlage/Gerät.

- ▶ Vor Arbeiten an Anlage oder Gerät, den Druck abschalten und Leitungen entlüften/entleeren.

Vorgehensweise:

- Ventilgehäuse in eine Haltevorrichtung einspannen (nur nötig, wenn das Prozessventil noch nicht eingebaut ist).
- Bei Steuerfunktion A: Prozessventil öffnen.

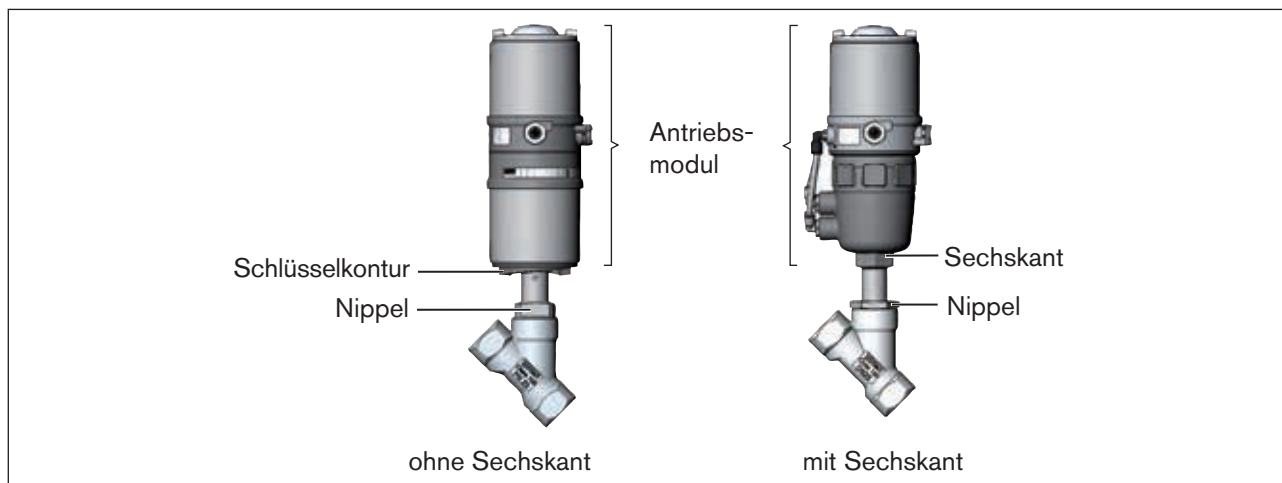


Bild 16: Drehen des Antriebsmoduls

- An der Schlüsselfläche des Nippels mit passendem Gabelschlüssel gehalten.
- Antriebsmodule ohne Sechskantkontur:
Spezienschlüssel³⁾ genau in die Schlüsselkontur an der Unterseite des Antriebs einpassen.
- Antriebsmodule mit Sechskantkontur:
Passender Gabelschlüssel am Sechskant des Antriebs ansetzen.



WARNUNG!

Verletzungsgefahr durch Mediums Austritt und Druckentladung.

Bei falscher Drehrichtung kann sich die Gehäuseschnittstelle lösen.

- ▶ Das Antriebsmodul **nur im vorgegebenen Richtungssinn** drehen (siehe „Bild 17“) !

- Antriebsmodule ohne Sechskantkontur:
Durch **Drehen im Uhrzeigersinn** (von unten gesehen) das Antriebsmodul in die gewünschte Position bringen.
- Antriebsmodule mit Sechskantkontur:
Durch **Drehen gegen den Uhrzeigersinn** (von unten gesehen) das Antriebsmodul in die gewünschte Position bringen.

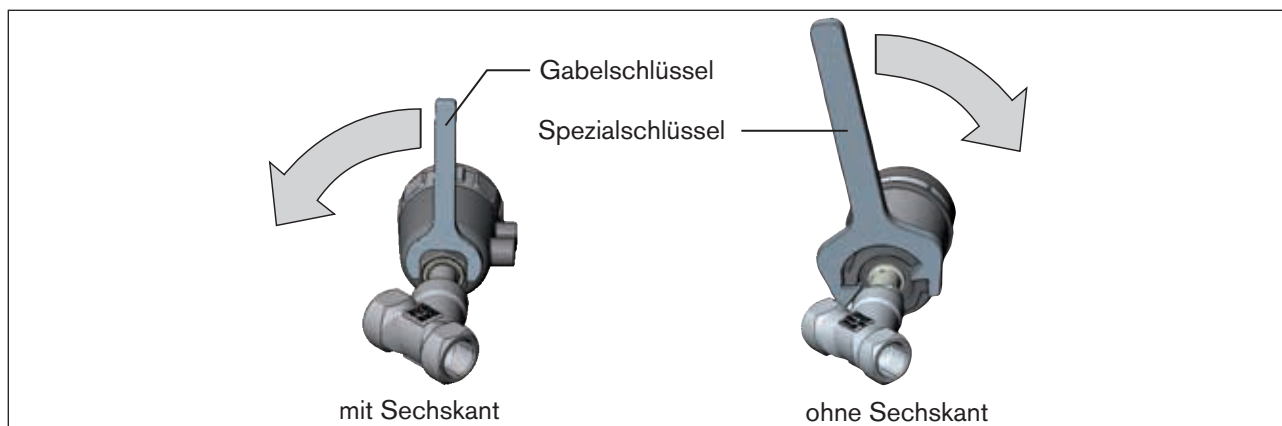


Bild 17: Drehen mit Spezienschlüssel / Gabelschlüssel

³⁾ Der Spezienschlüssel (665702) ist über Ihre Bürkert-Vertriebsniederlassung erhältlich.

7.5 Drehen des Steuerkopfs bei Prozessventilen der Reihe 20xx

Sollte nach Einbau des Prozessventils die Anschlusskabel bzw. Schläuche schlecht montiert werden können, kann der Steuerkopf gegen den Antrieb verdreht werden.

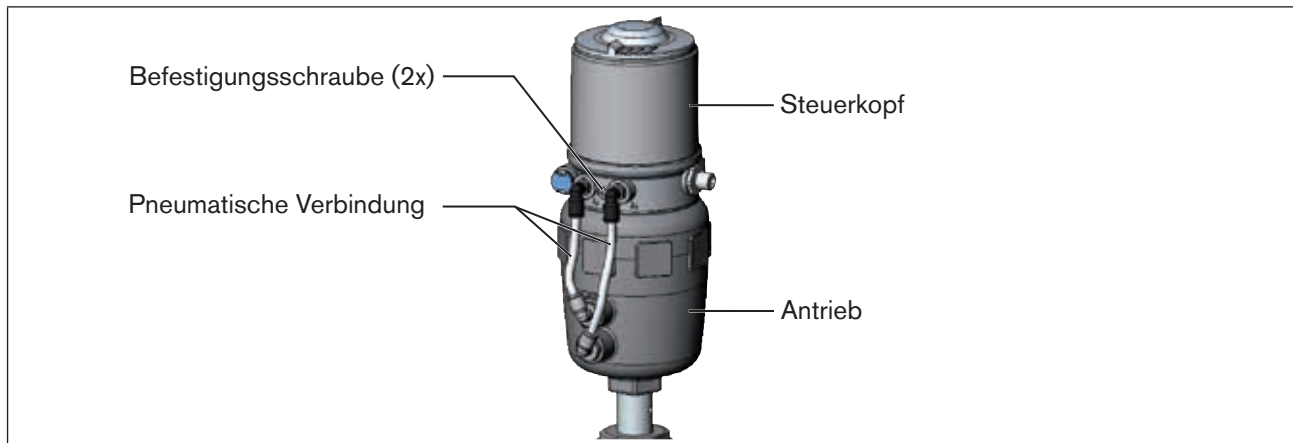


Bild 18: Drehen des Steuerkopf, Reihe 20xx

Vorgehensweise:

- Pneumatische Verbindung zwischen dem Steuerkopf und dem Antrieb lösen.
- Befestigungsschrauben lösen (Innensechskant SW2,5).
- Steuerkopf in die gewünschte Position drehen.

HINWEIS!

Durch ein zu hohes Drehmoment beim Einschrauben der Befestigungsschraube kann die Schutzart IP65 / IP67 nicht sichergestellt werden.

- ▶ Befestigungsschrauben nur mit einem maximalen Drehmoment von 1,5 Nm anziehen.

- Befestigungsschrauben nur leicht anziehen (maximales Drehmoment: 1,5 Nm).
- Pneumatische Verbindungen zwischen dem Steuerkopf und dem Antrieb wieder herstellen. Bei Bedarf längere Schläuche verwenden.

8 PNEUMATISCHE INSTALLATION



GEFAHR!

Verletzungsgefahr durch hohen Druck in Anlage/Gerät.

- ▶ Vor Arbeiten an Anlage oder Gerät, den Druck abschalten und Leitungen entlüften/entleeren.



WARNUNG!

Verletzungsgefahr bei unsachgemäßer Installation.

- ▶ Die Installation darf nur autorisiertes Fachpersonal mit geeignetem Werkzeug durchführen.

Verletzungsgefahr durch ungewolltes Einschalten der Anlage und unkontrollierten Wiederanlauf.

- ▶ Anlage vor unbeabsichtigtem Betätigen sichern.
- ▶ Nach der Installation einen kontrollierten Wiederanlauf gewährleisten.

Vorgehensweise:

- Steuermedium an den Steuerluftanschluss (1) anschließen (3 ... 7 bar; Instrumentenluft, öl-, wasser- und staubfrei).
- Abluftleitung oder einen Schalldämpfer an den Abluftanschluss (3) montieren (siehe „Bild 19“).



Wichtiger Hinweis zur einwandfreien Funktion des Geräts:

- ▶ Durch die Installation darf sich kein Rückdruck aufbauen.
- ▶ Wählen Sie für den Anschluss einen Schlauch mit ausreichendem Querschnitt.
- ▶ Die Abluftleitung muss so konzipiert sein, dass kein Wasser oder sonstige Flüssigkeit durch den Abluftanschluss in das Gerät gelangen kann.

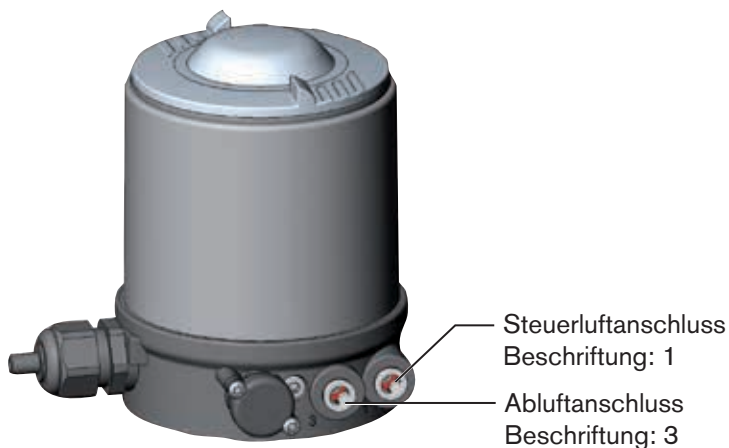


Bild 19: Pneumatischer Anschluss



Achtung (Abluftkonzept):

Für die Einhaltung der Schutzart IP67 muss eine Abluftleitung in den trockenen Bereich montiert werden.

Den anliegenden Steuerdruck **unbedingt** mindestens 0,5 ... 1 bar über dem Druck halten, der notwendig ist, den Antrieb in seine Endstellung zu bringen.

9 ELEKTRISCHE INSTALLATION 24 V DC

Für die elektrische Kontaktierung des Steuerkopfs gibt es zwei Anschlussarten:

- **Kabeldurchführung**
mit Kabelverschraubung M16 x 1,5 und Schraubklemmen
- **Multipol**
mit Rundsteckverbinder M12 x 1, 8-polig

9.1 Sicherheitshinweise



GEFAHR!

Gefahr durch Stromschlag.

- ▶ Vor Arbeiten an Anlage oder Gerät, die Spannung abschalten und vor Wiedereinschalten sichern.
- ▶ Die geltenden Unfallverhütungs- und Sicherheitsbestimmungen für elektrische Geräte beachten.



WARNUNG!

Verletzungsgefahr bei unsachgemäßer Installation.

- ▶ Die Installation darf nur autorisiertes Fachpersonal mit geeignetem Werkzeug durchführen.

Verletzungsgefahr durch ungewolltes Einschalten der Anlage und unkontrollierten Wiederanlauf!

- ▶ Anlage vor unbeabsichtigtem Betätigen sichern.
- ▶ Nach der Installation einen kontrollierten Wiederanlauf gewährleisten.

9.2 Elektrische Installation mit Kabelverschraubung

HINWEIS!

Bruch der pneumatischen Verbindungsstutzen durch Dreheinwirkung.

- ▶ Beim Abschrauben und Einschrauben des Gehäusemantels nicht am Antrieb des Prozessventils sondern am Anschlussgehäuse gegenhalten.

→ Gehäusemantel (Edelstahl) gegen den Uhrzeigersinn abschrauben.

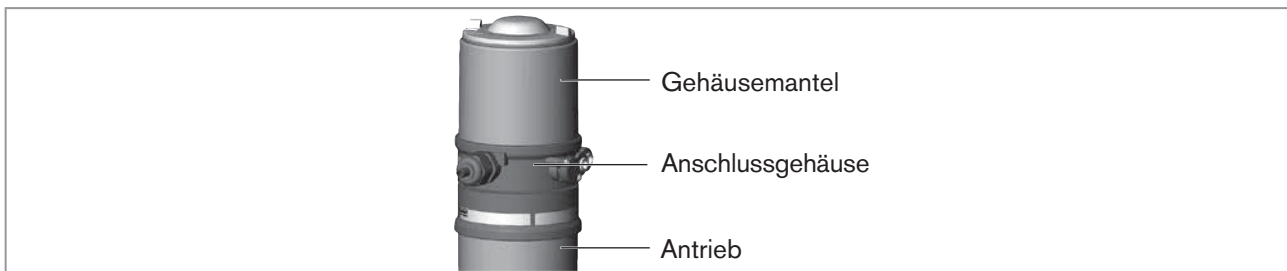


Bild 20: Steuerkopf öffnen

→ Kabel durch die Kabelverschraubung schieben.

→ Adern anklemmen (siehe Anschlussplan in „Bild 21: Platine 24 V DC - Kabelverschraubung“).

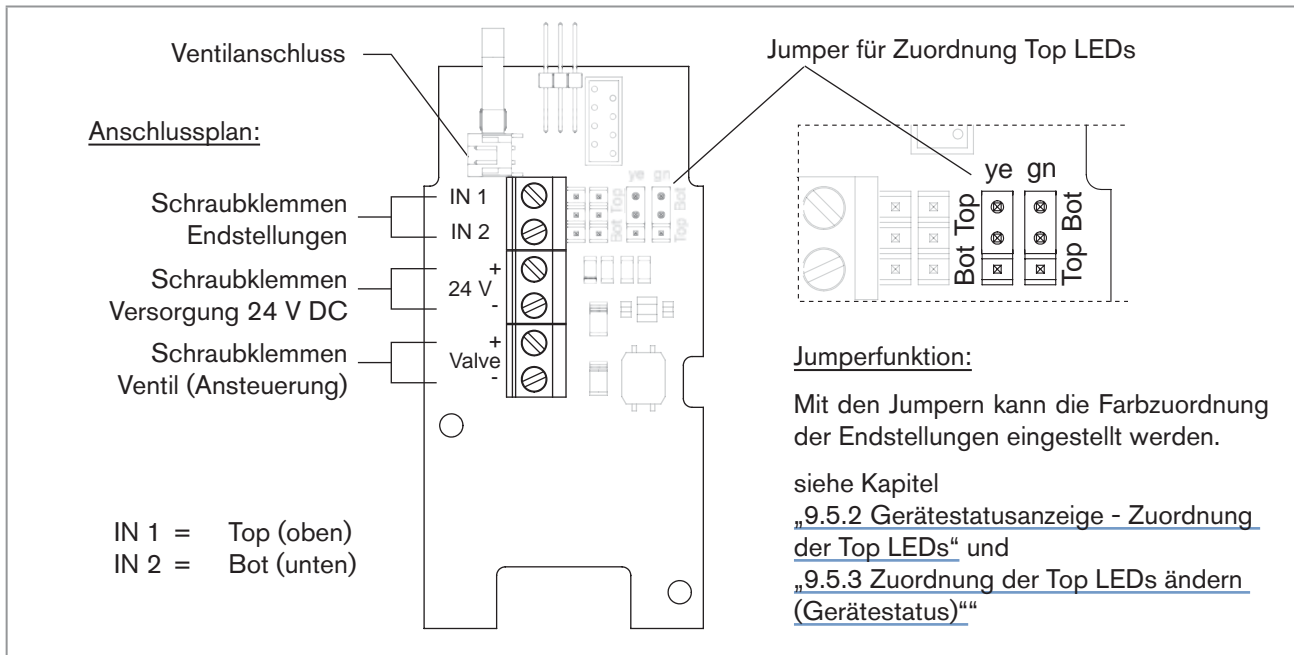


Bild 21: Platine 24 V DC - Kabelverschraubung

→ Die korrekte Position der Dichtung im Gehäusemantel prüfen.

HINWEIS!

Bruch der pneumatischen Verbindungsstutzen durch Dreheinwirkung.

- ▶ Beim Abschrauben und Einschrauben des Gehäusemantels nicht am Antrieb des Prozessventils sondern am Anschlussgehäuse gegenhalten.

Beschädigung oder Funktionsausfall durch Eindringen von Verschmutzung und Feuchtigkeit.

Zur Sicherstellung der Schutzart IP65 / IP67:

- ▶ Die Überwurfmutter der Kabelverschraubung entsprechend der verwendeten Kabelgröße bzw. Blindstopfen anziehen (ca. 1,5 Nm).
- ▶ Den Gehäusemantel bis auf Anschlag einschrauben.

→ Überwurfmutter der Kabelverschraubung anziehen (Drehmoment ca. 1,5 Nm).

→ Gehäuse schließen (Schraubwerkzeug: 674077⁴⁾).

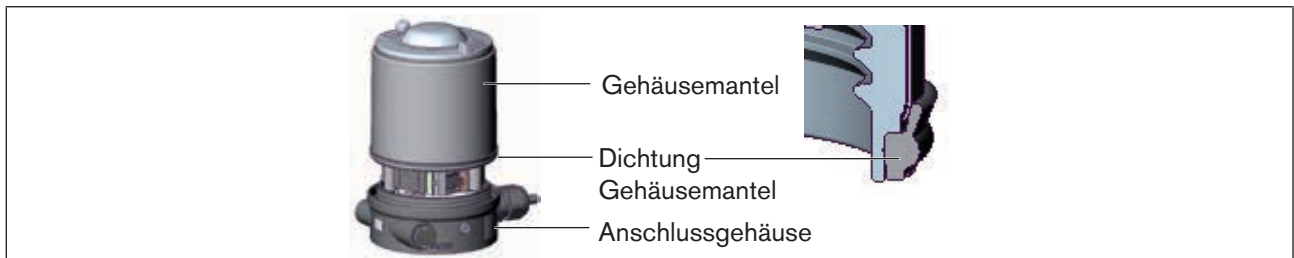


Bild 22: Position Dichtung Gehäusemantel

Mit Hilfe der Teachfunktion können die Endstellungen des Ventils automatisch ermittelt und eingelesen werden (Beschreibung der Teachfunktion siehe Kapitel „9.4 Teachfunktion (Einmessen der Endstellungen)“)

⁴⁾ Das Schraubwerkzeug (674077) ist über Ihre Bürkert-Vertriebsniederlassung erhältlich.

9.3 Elektrische Installation mit Rundsteckverbinder

GEFAHR!

Gefahr durch Stromschlag.

- ▶ Vor Arbeiten an Anlage oder Gerät, die Spannung abschalten und vor Wiedereinschalten sichern.
- ▶ Die geltenden Unfallverhütungs- und Sicherheitsbestimmungen für elektrische Geräte beachten.

→ Steuerkopf entsprechend der Tabelle anschließen.

Belegung Rundstecker (M12 x 1, 8-polig):

	Pin	Aderfarbe ⁵⁾	Bezeichnung	Belegung
	1	weiß	Näherungsschalter oben	IN 1 (= Top)
	2	braun	Näherungsschalter unten	IN 2 (= Bot)
	3	grün	Betriebsspannung	GND
	4	gelb	Betriebsspannung +	24 V DC
	5	grau	Ventilansteuerung +	Ventil +
	6	rosa	Ventilansteuerung -	Ventil -
	7		-	nicht belegt
	8		-	nicht belegt

Tabelle 3: Rundstecker M12 x 1, 8-polig

Mit Hilfe der Teachfunktion können die Endstellungen des Ventils automatisch ermittelt und eingelesen werden (Beschreibung der Teachfunktion siehe Kapitel „9.4 Teachfunktion (Einmessen der Endstellungen)“).

9.4 Teachfunktion (Einmessen der Endstellungen)

Mit Hilfe der Teachfunktion können die Endstellungen des Ventils automatisch ermittelt und eingelesen werden.

GEFAHR!

Gefahr durch Stromschlag.

- ▶ Vor Arbeiten an Anlage oder Gerät, die Spannung abschalten und vor Wiedereinschalten sichern.
- ▶ Die geltenden Unfallverhütungs- und Sicherheitsbestimmungen für elektrische Geräte beachten.

Nötige Voraussetzungen:

- Bevor Sie die Teachfunktion auslösen können muss
- der Steuerkopf auf den Antrieb montiert,
 - die Versorgungsspannung angeschlossen und
 - die Druckluftversorgung angeschlossen sein.

⁵⁾ Die angegebenen Farben beziehen sich auf das als Zubehör erhältliche Anschlusskabel (919061).

Vorgehensweise:

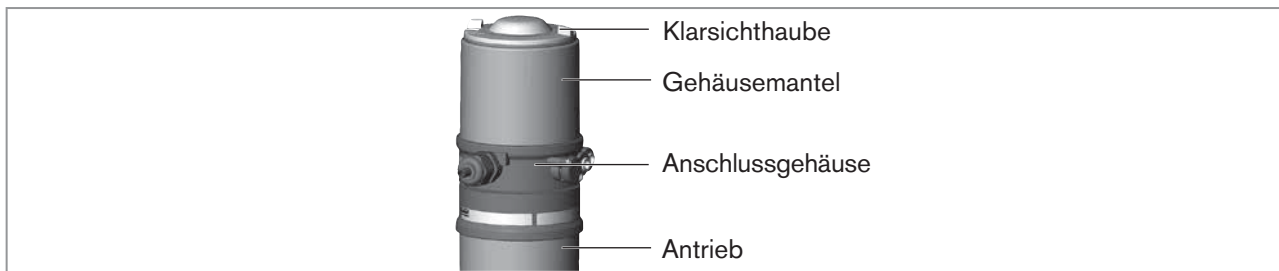


Bild 23: Steuerkopf öffnen

HINWEIS!

Bruch der pneumatischen Verbindungsstutzen durch Dreheinwirkung.

- ▶ Beim Abschrauben und Einschrauben der Klarsichthaube nicht am Antrieb des Prozessventils sondern am Anschlussgehäuse gegenhalten.

→ Steuerkopf öffnen: Klarsichthaube gegen den Uhrzeigersinn aufschrauben.

→ Knopf zur Betätigung der Teachfunktion ca. 5 s gedrückt halten.

→ Nur für Steuerköpfe ohne Steuerventil:

Wenn gelbe Steuerventil LED leuchtet, dann Antrieb in obere Endstellung fahren.

Wenn gelbe Steuerventil LED wieder erlischt, dann Antrieb in untere Endstellung fahren.

HINWEIS!

Beschädigung oder Funktionsausfall durch Eindringen von Verschmutzung und Feuchtigkeit.

Zur Sicherstellung der Schutzart IP65 / IP67:

- ▶ Die Klarsichthaube bis auf Anschlag einschrauben.

→ Gehäuse schließen (Schraubwerkzeug: 674077⁶⁾).

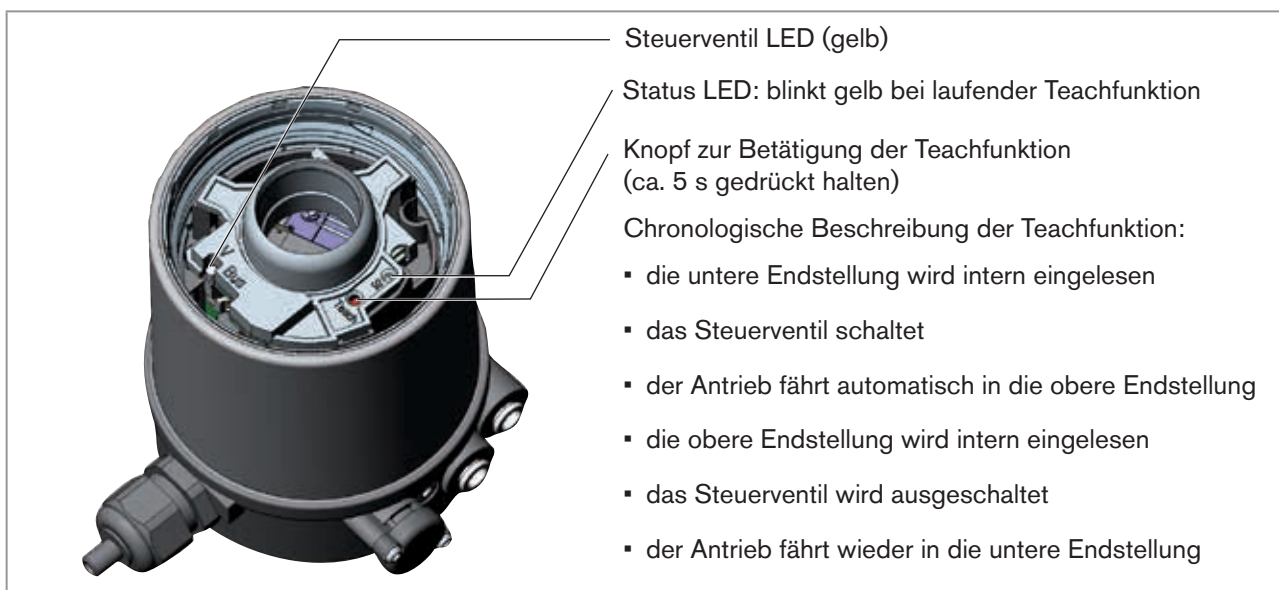


Bild 24: Teachfunktion

⁶⁾ Das Schraubwerkzeug (674077) ist über Ihre Bürkert-Vertriebsniederlassung erhältlich.

9.5 Anzeigeelemente 24 V DC

9.5.1 LED - Zustandsanzeige

Die LED-Zustandsanzeige in der Version 24 V DC zeigt an, ob das Steuerventil angesteuert wird (LED leuchtet gelb).

HINWEIS!

Bruch der pneumatischen Verbindungsstutzen durch Dreheinwirkung.

- ▶ Beim Abschrauben und Einschrauben der Klarsichthaube nicht am Antrieb des Prozessventils sondern am Anschlussgehäuse gehalten.

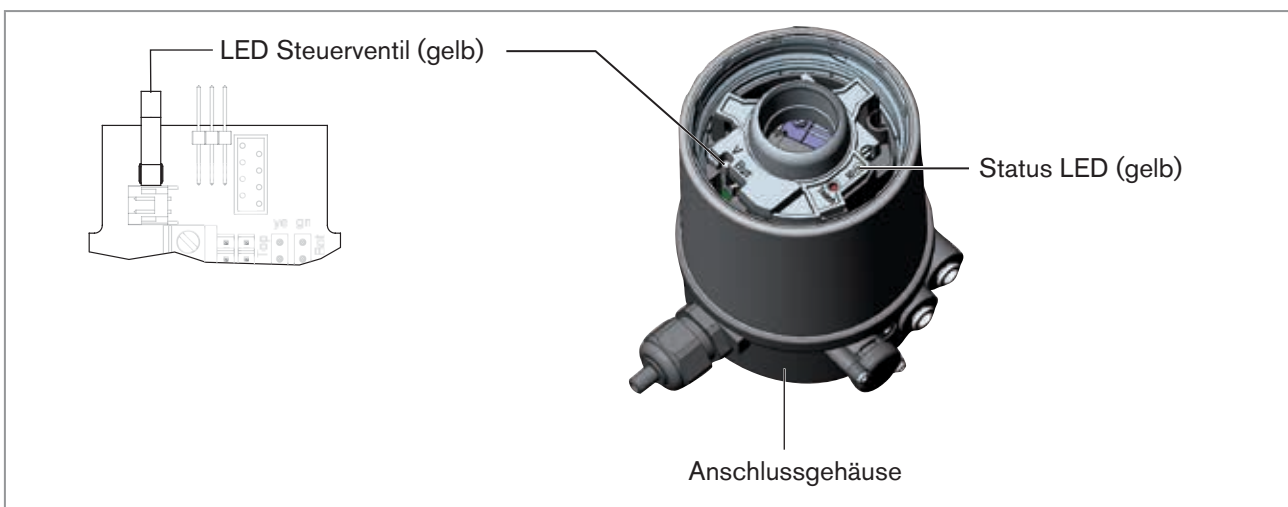


Bild 25: LED - Zustandsanzeige, Status LED

Status LED gelb

LED gelb	
blinkt	Teachfunktion läuft
flackert	Puckplatte nicht vorhanden → Puck einsetzen

Tabelle 4: Status LED gelb - 24 V DC

HINWEIS!

Beschädigung oder Funktionsausfall durch Eindringen von Verschmutzung und Feuchtigkeit.

Zur Sicherstellung der Schutzart IP65 / IP67:

- ▶ Klarsichthaube bis auf Anschlag einschrauben.

9.5.2 Gerätestatusanzeige - Zuordnung der Top LEDs

Der Gerätestatus wird am Steuerkopf (Klarsichthaube) optisch durch farbige Hochleistungs-LEDs (Top LEDs) angezeigt.

HINWEIS!

Bruch der pneumatischen Verbindungsstutzen durch Dreheinwirkung.

- ▶ Beim Abschrauben und Einschrauben der Klarsichthaube nicht am Antrieb des Prozessventils sondern am Anschlussgehäuse gegenhalten.

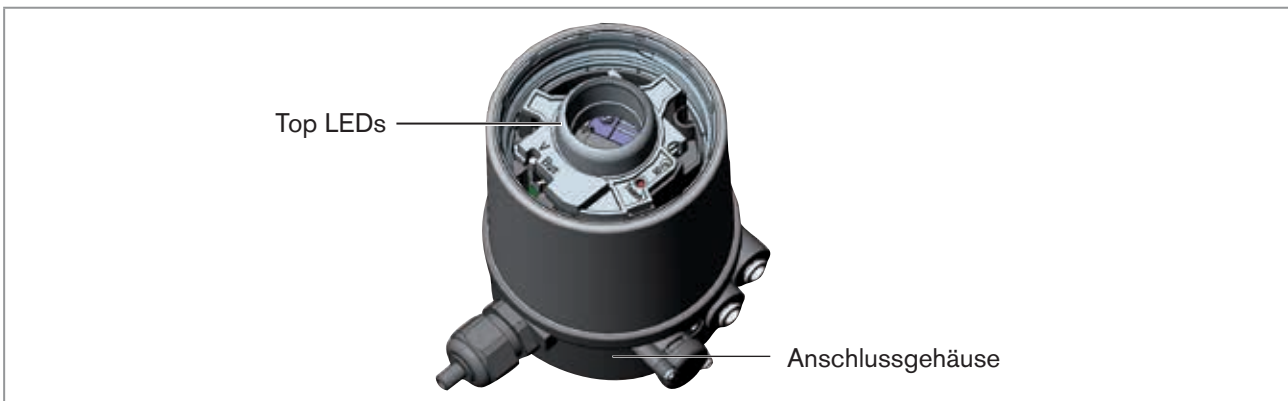


Bild 26: LED - Zustandsanzeige

Standardmäßig werden folgende Funktionen dargestellt:

Farbe	Gerätestatus
grüne Top LEDs leuchten	untere Endstellung
gelbe Top LEDs leuchten	obere Endstellung

Tabelle 5: Zuordnung der Top LEDs - 24 V DC

HINWEIS!

Beschädigung oder Funktionsausfall durch Eindringen von Verschmutzung und Feuchtigkeit.

Zur Sicherstellung der Schutzart IP65 / IP67:

- ▶ Klarsichthaube bis auf Anschlag einschrauben.

9.5.3 Zuordnung der Top LEDs ändern (Gerätestatus)



GEFAHR!

Gefahr durch Stromschlag.

- ▶ Vor Arbeiten an Anlage oder Gerät, die Spannung abschalten und vor Wiedereinschalten sichern.
- ▶ Die geltenden Unfallverhütungs- und Sicherheitsbestimmungen für elektrische Geräte beachten.

Vorgehensweise:

HINWEIS!

Bruch der pneumatischen Verbindungsstutzen durch Dreheinwirkung.

- ▶ Beim Abschrauben und Einschrauben des Gehäusemantels nicht am Antrieb des Prozessventils sondern am Anschlussgehäuse gehalten.

→ Gehäusemantel (Edelstahl) gegen den Uhrzeigersinn abschrauben.

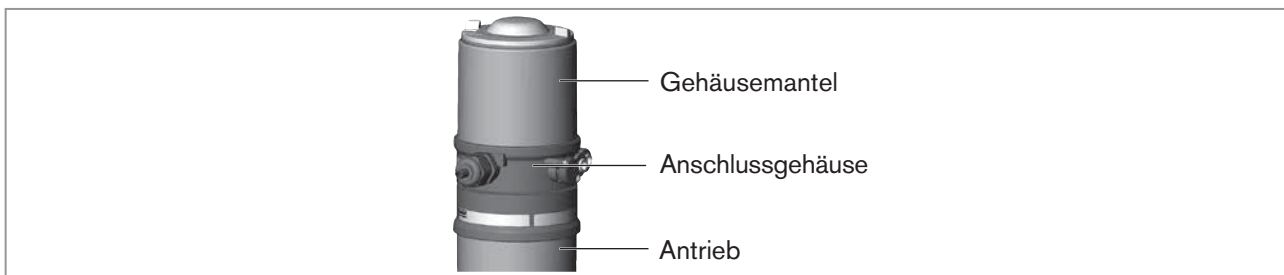


Bild 27: Steuerkopf öffnen

→ Mit Hilfe der Jumper den Top LEDs die gewünschte Farbe zuordnen.

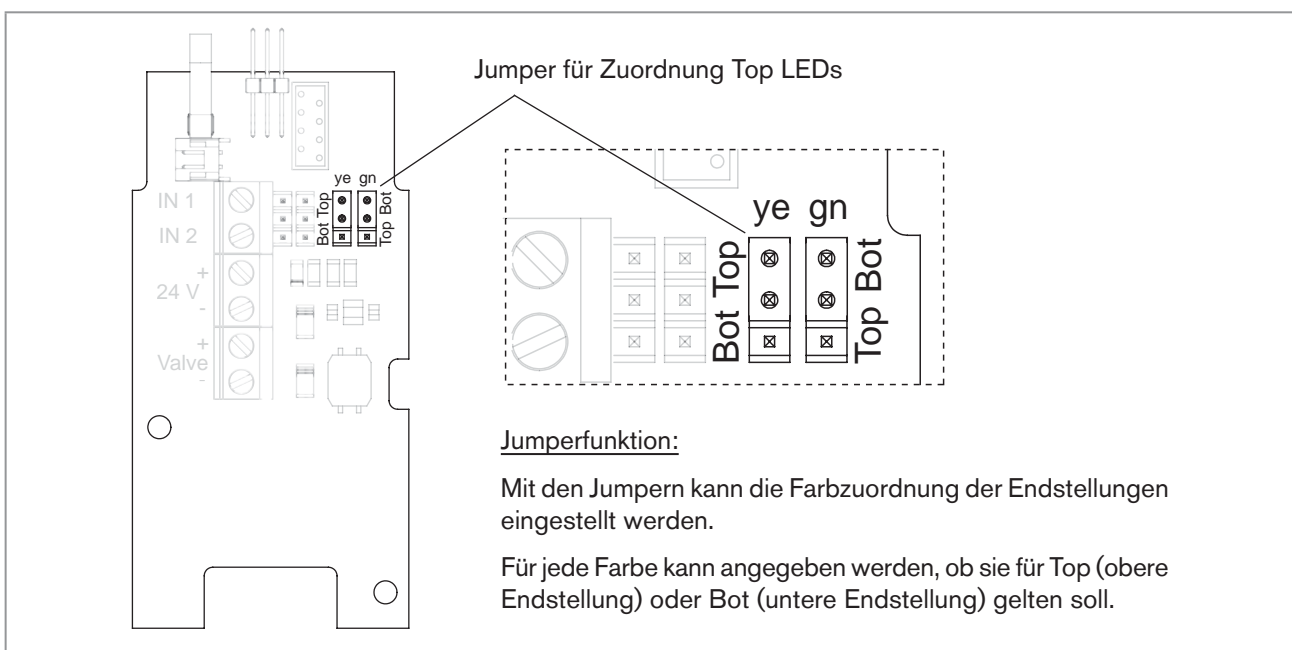


Bild 28: Zuordnung der Top LEDs

→ Korrekte Position der Dichtung im Gehäusemantel prüfen.

HINWEIS!

Bruch der pneumatischen Verbindungsstutzen durch Dreheinwirkung.

- ▶ Beim Abschrauben und Einschrauben des Gehäusemantels nicht am Antrieb des Prozessventils sondern am Anschlussgehäuse gehalten.

Beschädigung oder Funktionsausfall durch Eindringen von Verschmutzung und Feuchtigkeit.

Zur Sicherstellung der Schutzart IP65 / IP67:

- ▶ Gehäusemantel bis auf Anschlag einschrauben.

→ Gehäuse schließen (Schraubwerkzeug: 674077⁷⁾).

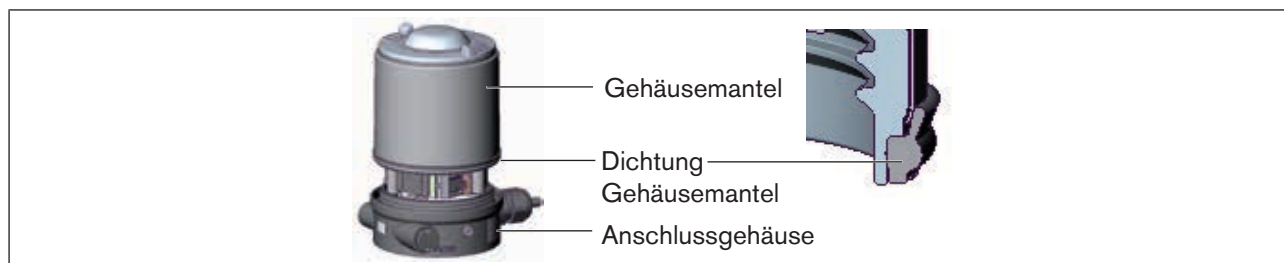


Bild 29: Position Dichtung Gehäusemantel

⁷⁾ Das Schraubwerkzeug (674077) ist über Ihre Bürkert-Vertriebsniederlassung erhältlich.

10 AS-INTERFACE-INSTALLATION

10.1 AS-Interface-Anschaltung

AS-Interface (Aktor-Sensor-Interface) ist ein Feldbussystem, das hauptsächlich zur Vernetzung von binären Sensoren und Aktoren (Slaves) mit einer übergeordneten Steuerung (Master) dient.

Busleitung

Ungeschirmte Zweidrahtleitung (AS-Interface-Leitung als AS-Interface-Formkabel), auf der sowohl Informationen (Daten) als auch Energie (Versorgungsspannung der Aktoren und Sensoren) übertragen werden.

Netztopologie

In breiten Grenzen frei wählbar, d. h. es sind Stern-, Baum- und Liniennetze möglich. Weitere Details beschreibt die AS-Interface-Spezifikation (Ausführung A/B-Slave konform zur Spezifikation Version 3.0).

10.2 Technische Daten für AS-Interface-Platinen

Versorgung: über AS-Interface (29,5 V ... 31,6 V)

Ausgänge: 1 Ventil Y1, max. 1 W, Leistungsreduzierung nach ca. 100 ms mit integrierter Watch-Dog-Funktion

Zertifizierung: Zertifikat Nr. 77601 nach Version 3.0

10.3 Programmierdaten

	AS-Interface 31 slaves	AS-Interface 62 slaves
E/A-Konfiguration	B hex (1 Ausgang, 2 Eingänge)	
ID-Code	F hex	A hex
Erweiterter ID-Code 1	F hex	7 hex
Erweiterter ID-Code 2	F hex	E hex
Profil	S-B.F.F	S-B.A.E

Tabelle 6: Programmierdaten

Bitbelegung

Datenbit	D3	D2	D1	D0
Eingang	0 Top nicht erreicht 1 Top erreicht	0 Bot nicht erreicht 1 Bot erreicht	–	–
Ausgang	–	–	nicht belegt	0 Steuerventil OFF 1 Steuerventil ON
Parameterbit	P3	P2	P1	P0
Ausgang	nicht belegt	nicht belegt	nicht belegt	„0“ START Teachfunktion „1“ STOP Teachfunktion

Tabelle 7: Bitbelegung

10.4 Elektrische Installation AS-Interface

10.4.1 Sicherheitshinweise



GEFAHR!

Gefahr durch Stromschlag.

- ▶ Vor Arbeiten an Anlage oder Gerät, die Spannung abschalten und vor Wiedereinschalten sichern.
- ▶ Die geltenden Unfallverhütungs- und Sicherheitsbestimmungen für elektrische Geräte beachten.



WARNUNG!

Verletzungsgefahr bei unsachgemäßer Installation.

- ▶ Die Installation darf nur autorisiertes Fachpersonal mit geeignetem Werkzeug durchführen.

Verletzungsgefahr durch ungewolltes Einschalten der Anlage und unkontrollierten Wiederanlauf.

- ▶ Anlage vor unbeabsichtigtem Betätigen sichern.
- ▶ Nach der Installation einen kontrollierten Wiederanlauf gewährleisten.

10.4.2 Anschluss mit Rundsteckverbinder M12 x 1, 4-polig, male

Busanschluss ohne externe / mit externer Versorgungsspannung

Pin	Bezeichnung	Belegung
1	Bus +	Busleitung AS-Interface +
2	NC oder GND (optional)	nicht belegt oder externe Versorgungsspannung – (optional)
3	Bus –	Busleitung AS-Interface –
4	NC oder 24 V + (optional)	nicht belegt oder externe Versorgungsspannung + (optional)

Tabelle 8: Pin-Belegung Rundsteckverbinder AS-Interface

Steckeransichten: Von vorn auf die Stifte, die Lötanschlüsse liegen dahinter

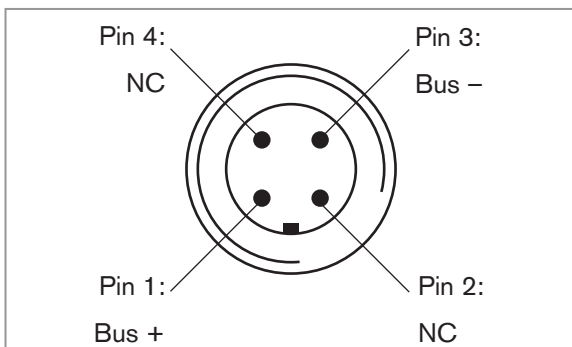


Bild 30: Busanschluss ohne externe Versorgungsspannung

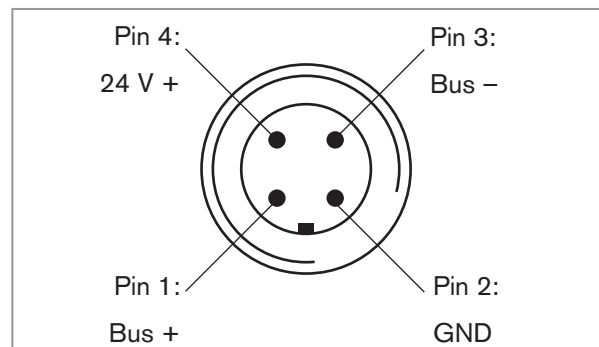


Bild 31: Busanschluss mit externer Versorgungsspannung (optional)

Mit Hilfe der Teachfunktion können die Endstellungen des Ventils automatisch ermittelt und eingelesen werden (Beschreibung der Teachfunktion siehe Kapitel „10.5 Teachfunktion (Einmessen der Endstellungen)“).

10.4.3 Anschluss mit Multipolkabel und Flachkabelklemme

Alternativ zur Bus-Anschlussausführung mit 4-poligem Rundstecker, gibt es den Steuerkopf mit Multipolkabel (M12 Rundstecker) und Flachkabelklemme. Das Anschlussbild des Rundsteckers entspricht dem Busanschluss M12 Rundstecker 4-polig (siehe „Bild 25“ und „Bild 26“) und kann einfach mit der Flachkabelklemme (siehe „Bild 32“) verbunden werden.



Bild 32: Steuerkopf 8691 mit Multipolkabel und Flachkabelklemme

Handhabung der Flachkabelklemme

Am Multipolkabel befindet sich eine, mit M12 Steckverbinder Abgang versehene, Flachkabelklemme für AS-Interface-Formkabel. Die Flachkabelklemme realisiert die Kontaktierung des AS-Interface-Formkabel in Form einer Durchdringungstechnik, die eine Installation durch „Einklipsen“ des AS-Interface-Formkabels ohne Schneiden und Abisolieren ermöglicht.

	<p><u>Arbeitsschritte:</u></p> <ul style="list-style-type: none"> → Flachkabelklemme öffnen (Schrauben lösen und Deckel abheben) → Formkabel schlüssig einlegen → Flachkabelklemme wieder schließen → Schrauben festziehen Gewindeformende Schrauben durch kurzes Zurückdrehen (ca. 3/4 Umdrehung nach links) an der bestehenden Gewindebohrung ansetzen und einschrauben.
--	--

Bild 33: Flachkabelklemme

Mit Hilfe der Teachfunktion können die Endstellungen des Ventils automatisch ermittelt und eingelesen werden (Beschreibung der Teachfunktion siehe Kapitel „9.4 Teachfunktion (Einmessen der Endstellungen)“).

10.5 Teachfunktion (Einmessen der Endstellungen)

Mit Hilfe der Teachfunktion können die Endstellungen des Ventils automatisch ermittelt und eingelesen werden.



Bei der Bus-Variante AS-Interface kann die Teachfunktion auch über das Busprotokoll gestartet werden.



GEFAHR!

Gefahr durch Stromschlag.

- ▶ Vor Arbeiten an Anlage oder Gerät, die Spannung abschalten und vor Wiedereinschalten sichern.
- ▶ Die geltenden Unfallverhütungs- und Sicherheitsbestimmungen für elektrische Geräte beachten.



Nötige Voraussetzungen:

Bevor Sie die Teachfunktion auslösen können muss

- der Steuerkopf auf den Antrieb montiert,
- die Versorgungsspannung angeschlossen,
- die Druckluftversorgung angeschlossen sein und
- Steuerventil OFF (D0 = 0).

Vorgehensweise:

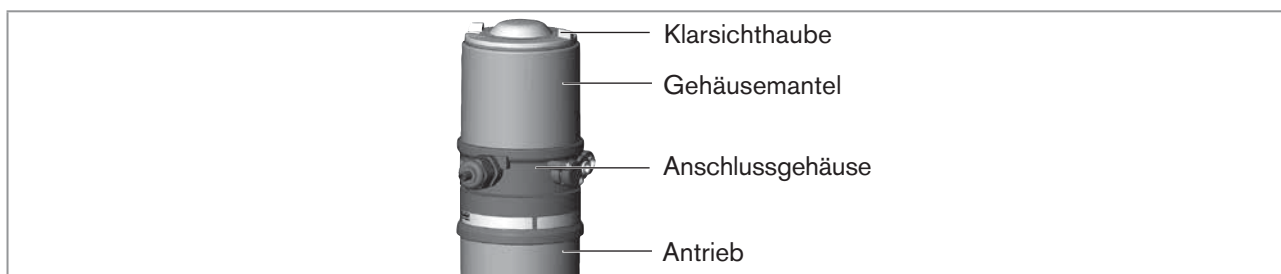


Bild 34: Steuerkopf öffnen

HINWEIS!

Bruch der pneumatischen Verbindungsstutzen durch Dreheinwirkung.

- ▶ Beim Abschrauben und Einschrauben der Klarsichthaube nicht am Antrieb des Prozessventils sondern am Anschlussgehäuse gegenhalten.

→ Steuerkopf öffnen: Klarsichthaube gegen den Uhrzeigersinn aufschrauben.

→ Knopf zur Betätigung der Teachfunktion ca. 5 s gedrückt halten.

→ Nur für Steuerköpfe ohne Steuerventil:

Wenn gelbe Steuerventil LED leuchtet, dann Antrieb in obere Endstellung fahren.

Wenn gelbe Steuerventil LED wieder erlischt, dann Antrieb in untere Endstellung fahren.

HINWEIS!

Beschädigung oder Funktionsausfall durch Eindringen von Verschmutzung und Feuchtigkeit.

Zur Sicherstellung der Schutzart IP65 / IP67:

- ▶ Die Klarsichthaube bis auf Anschlag einschrauben.

→ Gehäuse schließen (Schraubwerkzeug: 674077⁸⁾).



Bild 35: Teachfunktion



Bei aktivierter Teachfunktion ist eine Ansteuerung des Antriebs über die AS-Interface-Kommunikation nicht möglich.

⁸⁾ Das Schraubwerkzeug (674077) ist über Ihre Bürkert-Vertriebsniederlassung erhältlich.

10.6 Anzeigeelemente AS-Interface

10.6.1 LED Zustandsanzeige

HINWEIS!

Bruch der pneumatischen Verbindungsstutzen durch Dreheinwirkung.

- ▶ Beim Abschrauben und Einschrauben der Klarsichthaube nicht am Antrieb des Prozessventils sondern am Anschlussgehäuse gegenhalten.

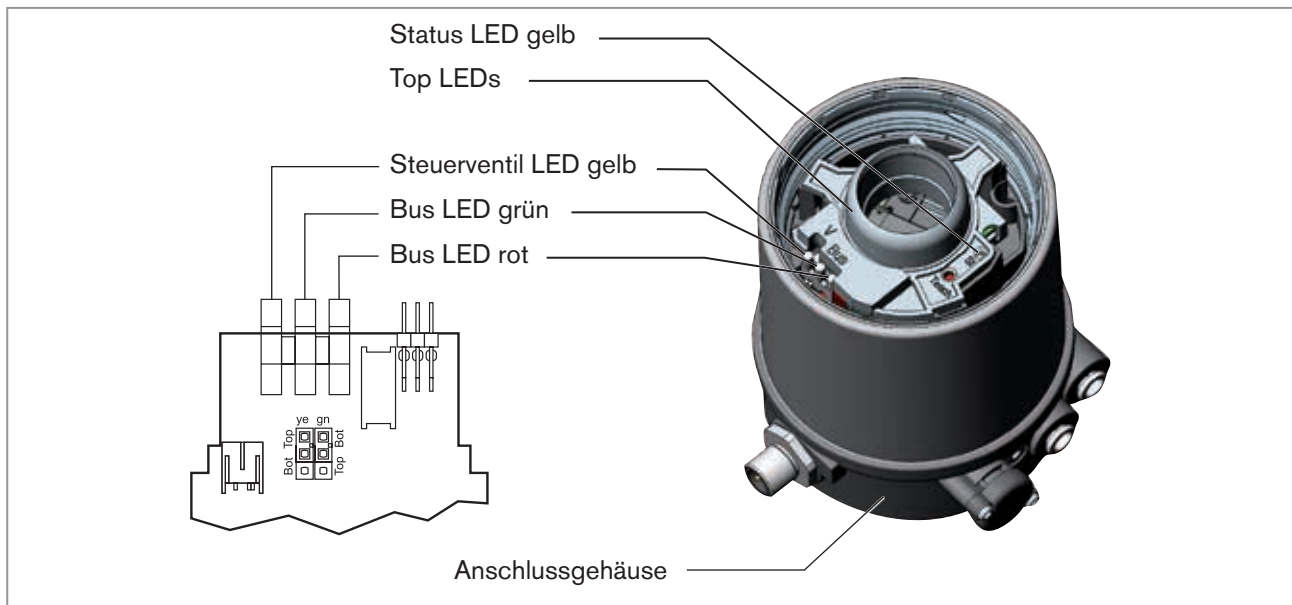


Bild 36: LED - Zustandsanzeige - AS-Interface

Status LED gelb

LED gelb	
blinkt	Teachfunktion läuft
flackert	Puck nicht vorhanden → Puck einsetzen

Tabelle 9: Status LED gelb - AS-Interface

Steuerventil LED gelb

Die gelbe LED (V) zeigt an, ob das Steuerventil angesteuert wird (LED leuchtet gelb).

Bus LED rot und grün

Die rote und grüne LED (Bus) zeigen den Busstatus an:

LED grün	LED rot	
aus	aus	POWER OFF
aus	ein	kein Datenverkehr (abgelaufener Watch-Dog bei Slaveadresse ungleich 0)
ein	aus	OK
blinkt	ein	Slaveadresse gleich 0
aus	blinkt	Überlast der Sensorversorgung oder externer Reset
blinkt	blinkt	Fehler Teachfunktion (Peripherie-Fehler)

Tabelle 10: LED Zustandsanzeige Busstatus

HINWEIS!

Beschädigung oder Funktionsausfall durch Eindringen von Verschmutzung und Feuchtigkeit.

Zur Sicherstellung der Schutzart IP65 / IP67:

- ▶ Die Klarsichthaube bis auf Anschlag einschrauben.

10.6.2 Gerätestatus - Zuordnung der Top LEDs

Der Gerätestatus wird am Steuerkopf (Klarsichthaube) optisch durch farbige Hochleistungs-LEDs (Top LEDs) angezeigt.

Standardmäßig werden folgende Funktionen dargestellt:

Farbe	Gerätestatus
grüne Top LEDs leuchten	untere Endstellung
gelbe Top LEDs leuchten	obere Endstellung
rote LED blinkt im Wechsel mit den grünen oder gelben Top LEDs	kein Datenverkehr oder Fehler Teachfunktion

Tabelle 11: Zuordnung der Top LEDs - AS-Interface

10.6.3 Zuordnung der Top LEDs ändern (Gerätestatus)



GEFAHR!

Gefahr durch Stromschlag.

- ▶ Vor Arbeiten an Anlage oder Gerät, die Spannung abschalten und vor Wiedereinschalten sichern.
- ▶ Die geltenden Unfallverhütungs- und Sicherheitsbestimmungen für elektrische Geräte beachten.

Vorgehensweise:

HINWEIS!

Bruch der pneumatischen Verbindungsstutzen durch Dreheinwirkung.

- ▶ Beim Abschrauben und Einschrauben des Gehäusemantels nicht am Antrieb des Prozessventils sondern am Anschlussgehäuse gegenhalten.

→ Gehäusemantel (Edelstahl) gegen den Uhrzeigersinn abschrauben.

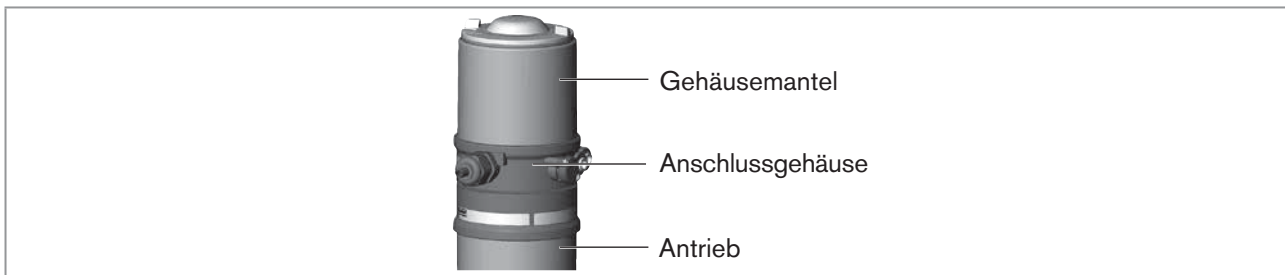


Bild 37: Steuerkopf öffnen

→ Mit Hilfe der Jumper den Top LEDs die gewünschte Farbe zuordnen (siehe „Bild 38“).

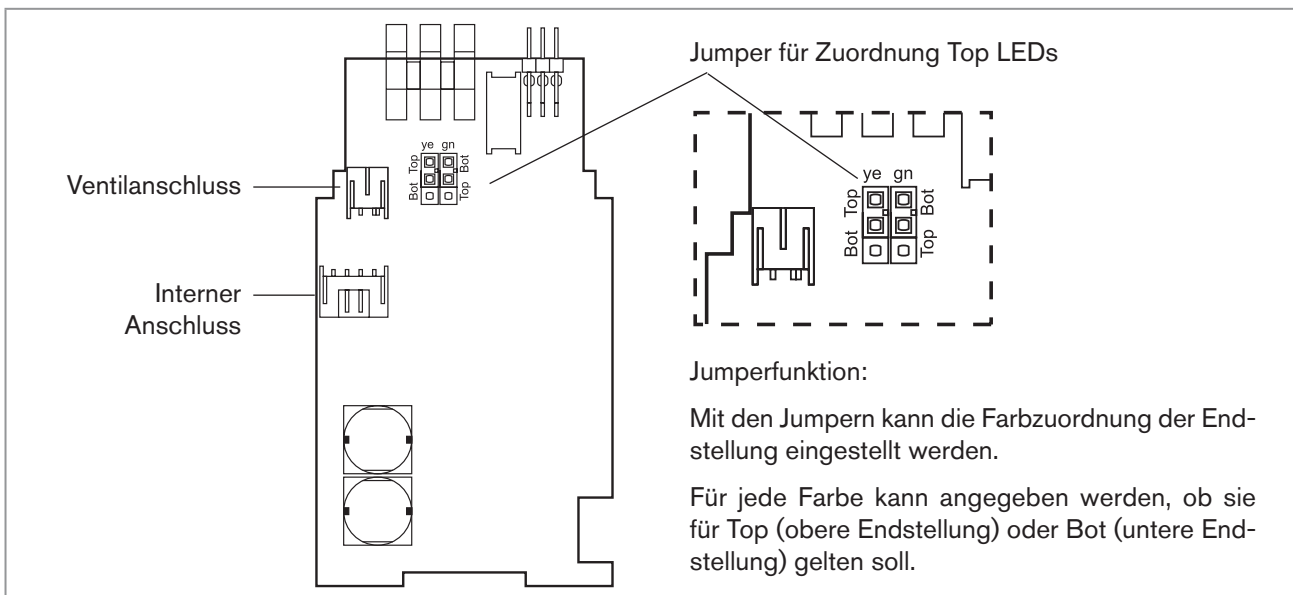


Bild 38: Platine AS-Interface

→ Korrekte Position der Dichtung im Gehäusemantel prüfen.

HINWEIS!

Bruch der pneumatischen Verbindungsstutzen durch Dreheinwirkung.

- ▶ Beim Abschrauben und Einschrauben des Gehäusemantels nicht am Antrieb des Prozessventils sondern am Anschlussgehäuse gehalten.

Beschädigung oder Funktionsausfall durch Eindringen von Verschmutzung und Feuchtigkeit.

Zur Sicherstellung der Schutzart IP65 / IP67:

- ▶ Gehäusemantel bis auf Anschlag einschrauben.

→ Gehäuse schließen (Schraubwerkzeug: 674077⁹⁾).

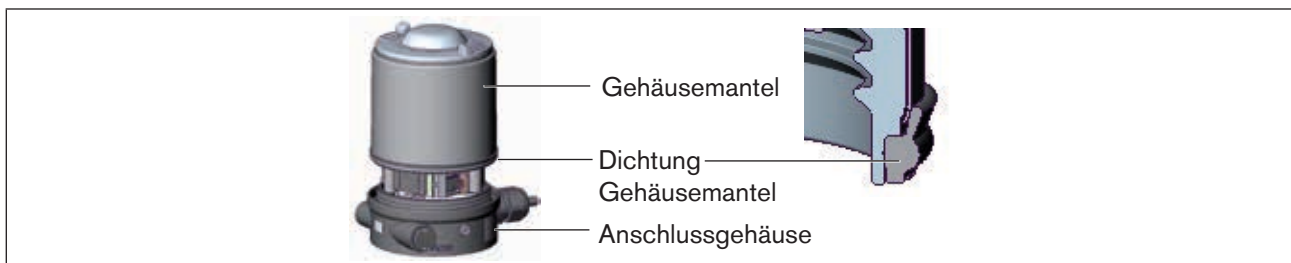


Bild 39: Position Dichtung Gehäusemantel

⁹⁾ Das Schraubwerkzeug (674077) ist über Ihre Bürkert-Vertriebsniederlassung erhältlich.

11 DEVICENET-INSTALLATION


11.1 Begriffserklärung

- Das DeviceNet ist ein Feldbussystem, das auf dem CAN-Protokoll (Controller Area Network) basiert. Es ermöglicht die Vernetzung von Aktoren und Sensoren (Slaves) mit übergeordneten Steuereinrichtungen (Master).
- Im DeviceNet ist der Steuerkopf ein Slave-Gerät nach dem in der DeviceNet-Spezifikation festgelegten Predefined Master/Slave Connection Set. Als I/O-Verbindungsvariante werden Polled I/O, Bit Strobed I/O und Change of State (COS) unterstützt.
- Beim DeviceNet unterscheidet man zwischen zyklisch oder ereignisgesteuert übertragenen Prozessnachrichten hoher Priorität (I/O Messages) und azyklischen Managementnachrichten niedriger Priorität (Explicit Messages).
- Der Protokollablauf entspricht der **DeviceNet-Spezifikation Release 2.0**.

11.2 Technische Daten

EDS-Datei	BUE8691.EDS
Icons	BUE8691.ICO
Baudrate	125 kBit/s, 250 kBit/s, 500 kBit/s (über DIP-Schalter); Werkseinstellung: 125 kBit/s
Adresse	0 ... 63 (über DIP-Schalter); Werkseinstellung: 63
Prozessdaten	1 statisches Input-Assembly (Input: vom Steuerkopf 8691 zum DeviceNet-Master/Scanner) 1 statisches Output-Assembly

11.3 Maximale Leitungslängen

 Die maximale Gesamtleitungslänge (Summe von Haupt- und Stichleitungen) eines Netzwerks ist abhängig von der Baudrate.

11.3.1 Gesamtleitungslänge nach DeviceNet-Spezifikation

Baudrate	Maximale Gesamtleitungslänge ¹⁰⁾	
	Dickes Kabel (Thick Cable)	Dünnes Kabel (Thin Cable)
125 kBaud	500 m	100 m für alle Baudraten
250 kBaud	250 m	
500 kBaud	100 m	

Tabelle 12: Gesamtleitungslänge

¹⁰⁾ Nach DeviceNet-Spezifikation.
Bei Verwendung eines anderen Kabeltyps gelten geringere Maximalwerte.

11.3.2 Stichleitungslänge (Drop Lines)

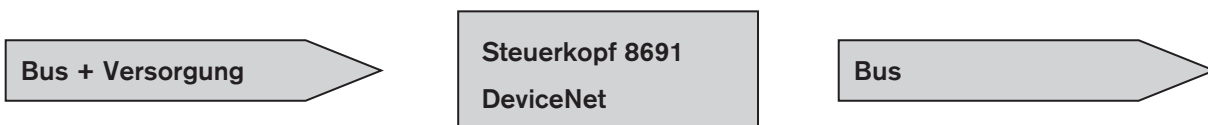
Baudrate	Länge der Stichleitungen (Drop Lines)	
	Maximale Länge	Maximale Gesamtlänge im Netzwerk
125 kBaud	6 m für alle Baudraten	156 m
250 kBaud		78 m
500 kBaud		39 m

Tabelle 13: Länge der Stichleitungen

11.4 Sicherheitsstellung bei Ausfall des Busses

Bei Busausfall wird das Steuerventil in eine programmierbare Sicherheitsstellung (Default: Steuerventil stromlos) geschaltet. Konfigurationsdaten siehe Kapitel „11.9 Konfigurieren des Steuerkopfs“.

11.5 Schnittstellen



11.6 Elektrische Installation DeviceNet

Die Busleitung ist ein 4-adriges Kabel mit zusätzlichem Schirm, das der DeviceNet-Spezifikation entsprechen muss. Über das Kabel werden sowohl Informationen (Daten) als auch Energie (Versorgungsspannung für leistungsarme Aktoren und Sensoren) übertragen.

11.6.1 Sicherheitshinweise



GEFAHR!

Gefahr durch Stromschlag.

- ▶ Vor Arbeiten an Anlage oder Gerät, die Spannung abschalten und vor Wiedereinschalten sichern.
- ▶ Die geltenden Unfallverhütungs- und Sicherheitsbestimmungen für elektrische Geräte beachten.



WARNUNG!

Verletzungsgefahr bei unsachgemäßer Installation.

- ▶ Die Installation darf nur autorisiertes Fachpersonal mit geeignetem Werkzeug durchführen.

Verletzungsgefahr durch ungewolltes Einschalten der Anlage und unkontrollierten Wiederanlauf.

- ▶ Anlage vor unbeabsichtigtem Betätigen sichern.
- ▶ Nach der Installation einen kontrollierten Wiederanlauf gewährleisten.

11.6.2 Aufbau der Platine DeviceNet

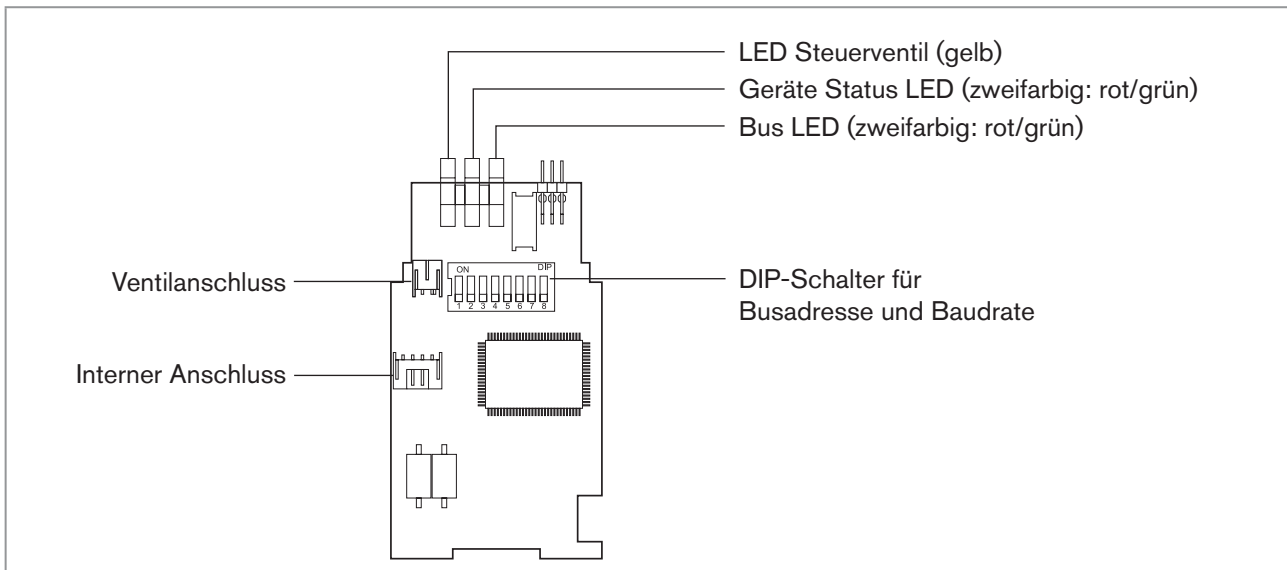


Bild 40: Platine DeviceNet

11.6.3 Bus-Anschluss (Rundstecker M12 x 1, 5-polig, male)

Der Steuerkopf besitzt einen 5-poligen Micro-Style-Rundstecker.
Die nachfolgende Belegung entspricht der DeviceNet-Spezifikation.

Pin	1	2	3	4	5
Signal	Schirm	V +	V -	CAN_H	CAN_L

Tabelle 14: Pinbelegung Rundsteckverbinder DeviceNet

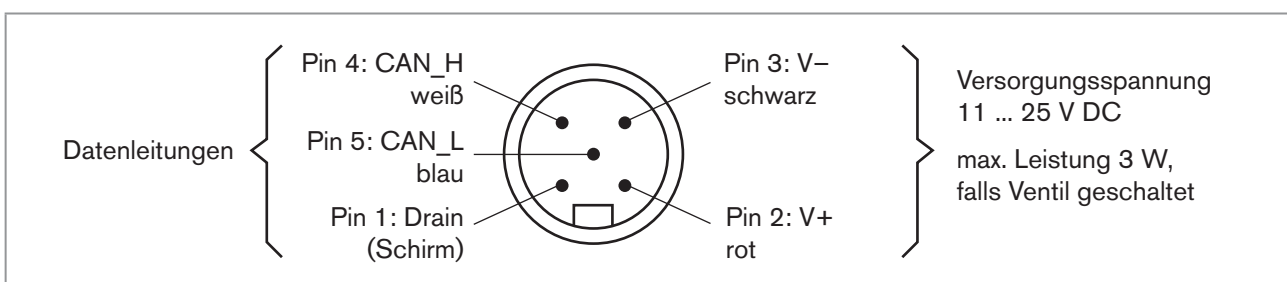


Bild 41: Steckeransicht von vorn auf die Stifte, die Lötanschlüsse liegen dahinter

11.7 Abschlussbeschaltung für DeviceNet-Systeme

Bei der Installation eines DeviceNet-Systems ist auf die korrekte Abschlussbeschaltung der Datenleitungen zu achten.
Die Beschaltung verhindert die Entstehung von Störungen durch Signalreflexionen auf den Datenleitungen.
Die Hauptleitung ist dazu an beiden Enden mit Widerständen von je 120 Ω und 1/4 W Verlustleistung abzuschließen (siehe „Bild 42: Netztopologie, DeviceNet“).

11.8 Netztopologie eines DeviceNet-Systems

Linie mit einer Hauptleitung (Trunk Line) und mehreren Stichleitungen (Drop Lines).

Haupt- und Stichleitungen bestehen aus identischem Material (siehe „Bild 42“).

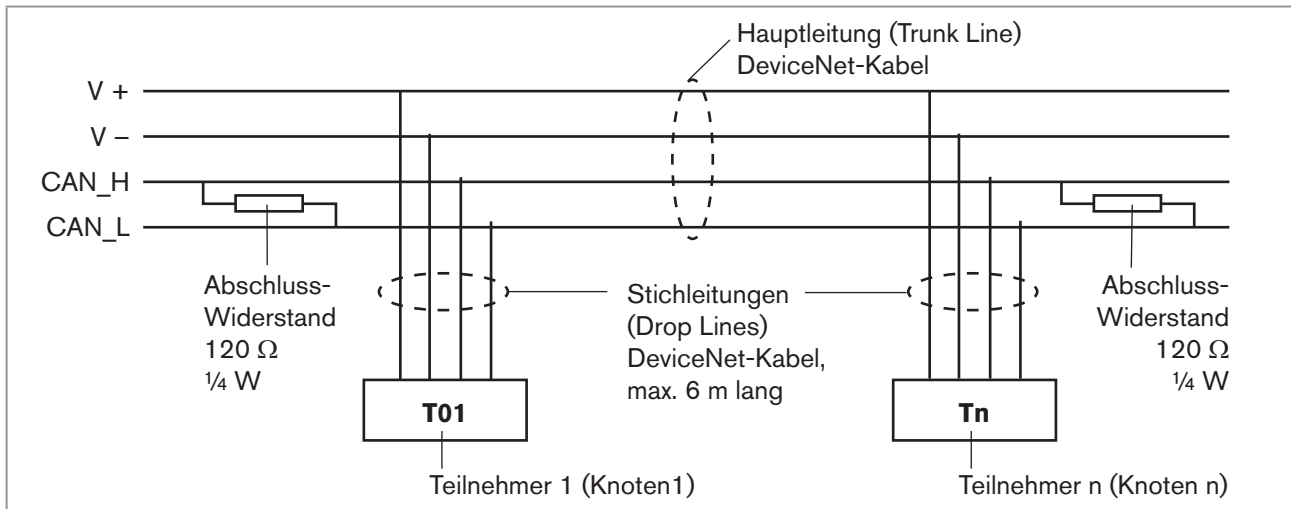


Bild 42: Netztopologie, DeviceNet

11.9 Konfigurieren des Steuerkopfs

11.9.1 DIP-Schalter

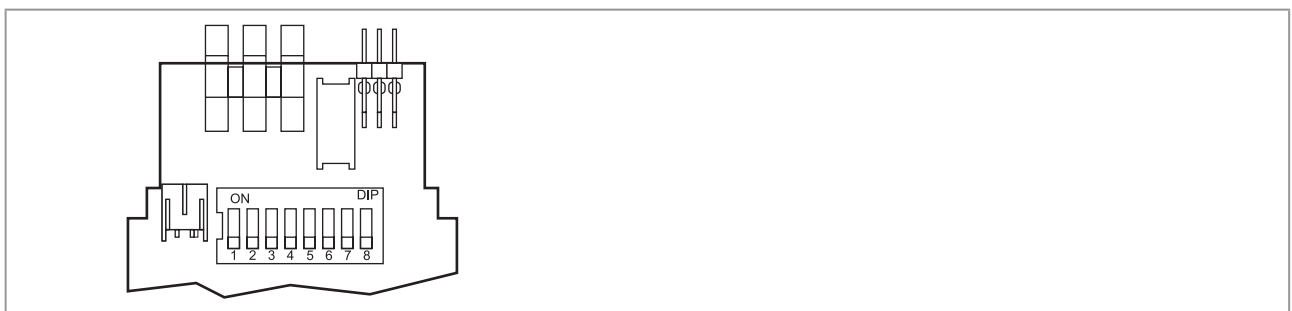


Bild 43: DIP-Schalter DeviceNet

Zur Konfiguration sind 8 DIP-Schalter vorhanden:

- DIP-Schalter 1 bis 6 für die DeviceNet-Adresse
- DIP-Schalter 7 bis 8 für die Baudrate

! GEFAHR!

Gefahr durch Stromschlag.

- ▶ Vor Arbeiten an Anlage oder Gerät, die Spannung abschalten und vor Wiedereinschalten sichern.
- ▶ Die geltenden Unfallverhütungs- und Sicherheitsbestimmungen für elektrische Geräte beachten.

Vorgehensweise:

HINWEIS!

Bruch der pneumatischen Verbindungsstutzen durch Dreheinwirkung.

- ▶ Beim Abschrauben und Einschrauben des Gehäusemantels nicht am Antrieb des Prozessventils sondern am Anschlussgehäuse gegenhalten.

→ Gehäusemantel (Edelstahl) gegen den Uhrzeigersinn abschrauben.

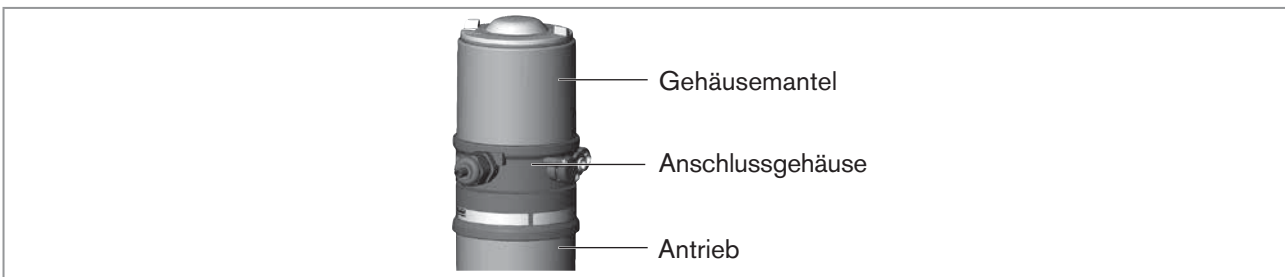


Bild 44: Steuerkopf öffnen

→ DIP-Schalter entsprechend folgenden Tabellen einstellen.

Einstellen der DeviceNet-Adresse

MAC ID – Medium Access Control Identifier:

[DIP 1=off=0 / DIP 1=on=1 / MAC ID=DIP 1*2⁰+DIP 2*2¹+...+DIP 6*2⁵]

DIP 1 [20=1]	DIP 2 [21=2]	DIP 3 [22=4]	DIP 4 [23=8]	DIP 5 [24=16]	DIP 6 [25=32]	MAC ID
off	off	off	off	off	off	0
on	off	off	off	off	off	1
off	on	off	off	off	off	2
...
off	on	on	on	on	on	62
on	on	on	on	on	on	63

Tabelle 15: Einstellen der DeviceNet-Adresse

MAN 1000098455 ML Version: | Status: RL (released | freigegeben) | printed: 22.09.2017

Einstellen der Baudrate

Anpassen des Steuerkopfs an die Baudrate des Netzwerks.

DIP 7	DIP 8	Baudrate
off	off	125 kBaud
on	off	250 kBaud
off	on	500 kBaud
on	on	nicht erlaubt

Tabelle 16: Einstellen der Baudrate

→ Die korrekte Position der Dichtung im Gehäusemantel prüfen.

HINWEIS!

Bruch der pneumatischen Verbindungsstutzen durch Dreheinwirkung.

- ▶ Beim Abschrauben und Einschrauben des Gehäusemantels nicht am Antrieb des Prozessventils sondern am Anschlussgehäuse gegenhalten.

Beschädigung oder Funktionsausfall durch Eindringen von Verschmutzung und Feuchtigkeit.

Zur Sicherstellung der Schutzart IP65 / IP67:

- ▶ Gehäusemantel bis auf Anschlag einschrauben.

→ Gehäuse schließen (Schraubwerkzeug: 674077¹¹⁾).

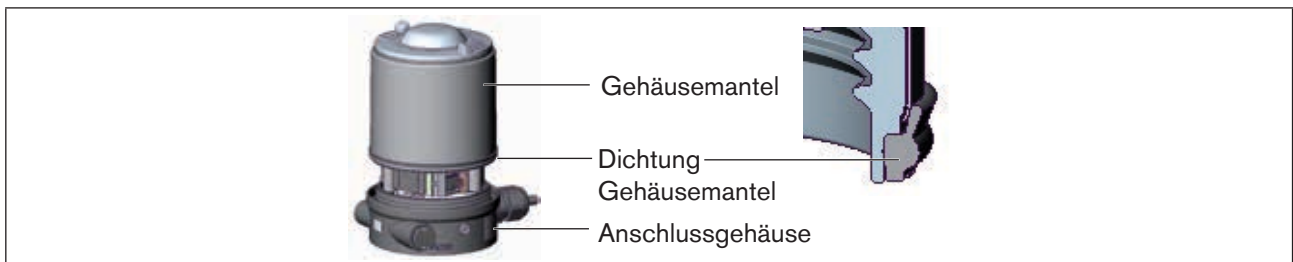


Bild 45: Position Dichtung Gehäusemantel



Beachten:

Eine Änderung von Einstellungen durch Betätigen der DIP-Schalter wird erst nach einem Neustart des Geräts wirksam.

Für einen Neustart

- den Steuerkopf kurzzeitig vom Netz ab- und wieder anklemmen, bzw.
- die Netzversorgung Aus-/Anschalten oder
- eine entsprechende Reset-Message senden.

¹¹⁾ Das Schraubwerkzeug (674077) ist über Ihre Bürkert-Vertriebsniederlassung erhältlich.

11.10 Konfiguration der Prozessdaten

Zur Übertragung von Prozessdaten über eine I/O-Verbindung steht 1 statische Input- und 1 statische Output-Assembly zur Auswahl. In diesen Assemblies sind ausgewählte Attribute in einem Objekt zusammengefasst, um als Prozessdaten gemeinsam über eine I/O-Verbindung übertragen werden zu können.

Auf die Prozessdaten kann

- zyklisch in den Verbindungsvarianten „Polled I/O“ und „Bitstrobed I/O“, mit „Change of state“, wenn sich Eingangswerte ändern, oder
- azyklisch über Explicit Messages zugegriffen werden.

Der Zugriffspfad für den azyklischen Zugriff ist: class 4
instance1
attribute3

Mit dem Dienst *Get_Attribute_Single* kann azyklisch lesend auf die Eingangsdaten zugegriffen werden.
Mit dem Dienst *Set_Attribute_Single* kann azyklisch schreibend auf die Ausgangsdaten zugegriffen werden.

1 Datenbyte für Eingänge:
(Sensoren bzw. Initiatoren)

Bit	Sensor	Wertezuordnung
Bit 0	Endstellung	0 Bot nicht erreicht 1 Bot erreicht
Bit 1	Endstellung	0 Top nicht erreicht 1 Top erreicht
Bit 2...	nicht benutzt	0 immer
Bit 7		

Tabelle 17: Datenbyte Eingänge

1 Datenbyte für Ausgänge:
(Aktoren bzw. Ventile)

Bit	Steuerventil	Wertezuordnung
Bit 0	Y1	0 Steuerventil OFF 1 Steuerventil ON
Bit 1...	nicht benutzt	0 immer
Bit 7		

Tabelle 18: Datenbyte Ausgänge

11.11 Konfiguration der Sicherheitsstellung von Steuerventilen bei Busfehler

Bei Busfehler kann die Bus-Status-LED den Zustand "Grün blinkt", "Rot blinkt" und "Rot" annehmen. (Beschreibung siehe „Zustand der Bus LED“ auf Seite 118)

Zur Konfigurierung des Steuerventils bei Busfehler können die Attribute Ventilsicherheitsstellung und Sicherheitsmodul verwendet werden.

Auf die Konfigurationsdaten der Steuerventile bei Busfehler kann azyklisch über Explicit Messages zugegriffen werden.

- Der Dienst *Get_Attribute_Single* steht für lesenden Zugriff auf die Konfigurationsdaten.
- Der Dienst *Set_Attribute_Single* steht für schreibenden Zugriff auf die Konfigurationsdaten.

1 Datenbyte für Sicherheitsmodus:
(Attribute-Adresse: class 150, instance 1, attribute 7)

Bit	Modus	Wertezuordnung
Bit 0	Verhalten bei Busfehler	0 Sicherheitsstellung ausgeben 1 Letzte Ventilstellung beibehalten
Bit 1...7	nicht benutzt	0 immer

Tabelle 19: Datenbyte Sicherheitsmodus

1 Datenbyte für Ventilsicherheitsstellung:
(Attribute-Adresse: class 150, instance 1, attribute 6)

Bit	Steuerventil	Wertezuordnung
Bit 0	Y1 (Steuerventil 1)	0 Steuerventil 1 OFF 1 Steuerventil 1 ON
Bit 1...	nicht benutzt	0 immer
Bit 7		

Tabelle 20: Datenbyte Ventilsicherheitsstellung

11.12 Teachfunktion (Einmessen der Endstellungen)

Mit Hilfe der Teachfunktion können die Endstellungen des Antriebs automatisch ermittelt und eingelesen werden.



Bei der Bus-Variante DeviceNet kann die Teachfunktion auch über das Busprotokoll sowie über die Kommunikationssoftware gestartet werden (siehe Kapitel „11.12.1 Starten der Teachfunktion“.)



GEFAHR!

Gefahr durch Stromschlag.

- ▶ Vor Arbeiten an Anlage oder Gerät, die Spannung abschalten und vor Wiedereinschalten sichern.
- ▶ Die geltenden Unfallverhütungs- und Sicherheitsbestimmungen für elektrische Geräte beachten.



Nötige Voraussetzungen:

Bevor Sie die Teachfunktion auslösen können muss

- der Steuerkopf auf den Antrieb montiert,
- die Versorgungsspannung angeschlossen,
- die Druckluftversorgung angeschlossen und
- die Verbindung zum Master hergestellt sein.

Vorgehensweise:

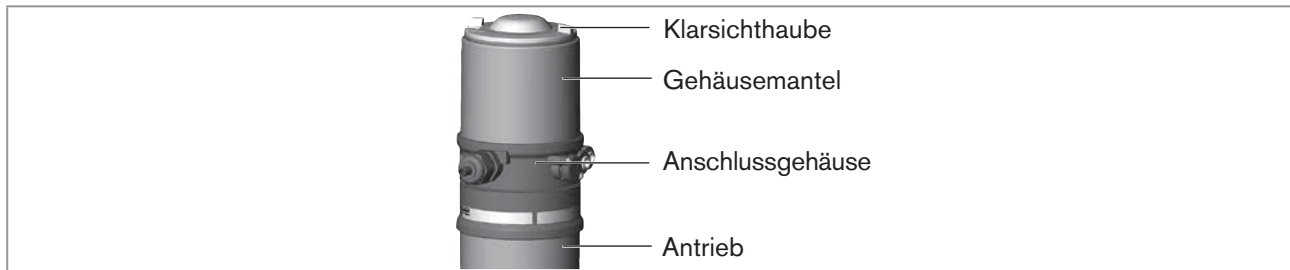


Bild 46: Steuerkopf öffnen

HINWEIS!

Bruch der pneumatischen Verbindungsstutzen durch Dreheinwirkung.

- ▶ Beim Abschrauben und Einschrauben der Klarsichthaube nicht am Antrieb des Prozessventils sondern am Anschlussgehäuse gegenhalten.

→ Steuerkopf öffnen: Klarsichthaube gegen den Uhrzeigersinn aufschrauben.

→ Knopf zur Betätigung der Teachfunktion ca. 5 s gedrückt halten.

→ Nur für Steuerköpfe ohne Steuerventil:

Wenn gelbe Steuerventil LED leuchtet, dann Antrieb in obere Endstellung fahren.

Wenn gelbe Steuerventil LED wieder erlischt, dann Antrieb in untere Endstellung fahren.

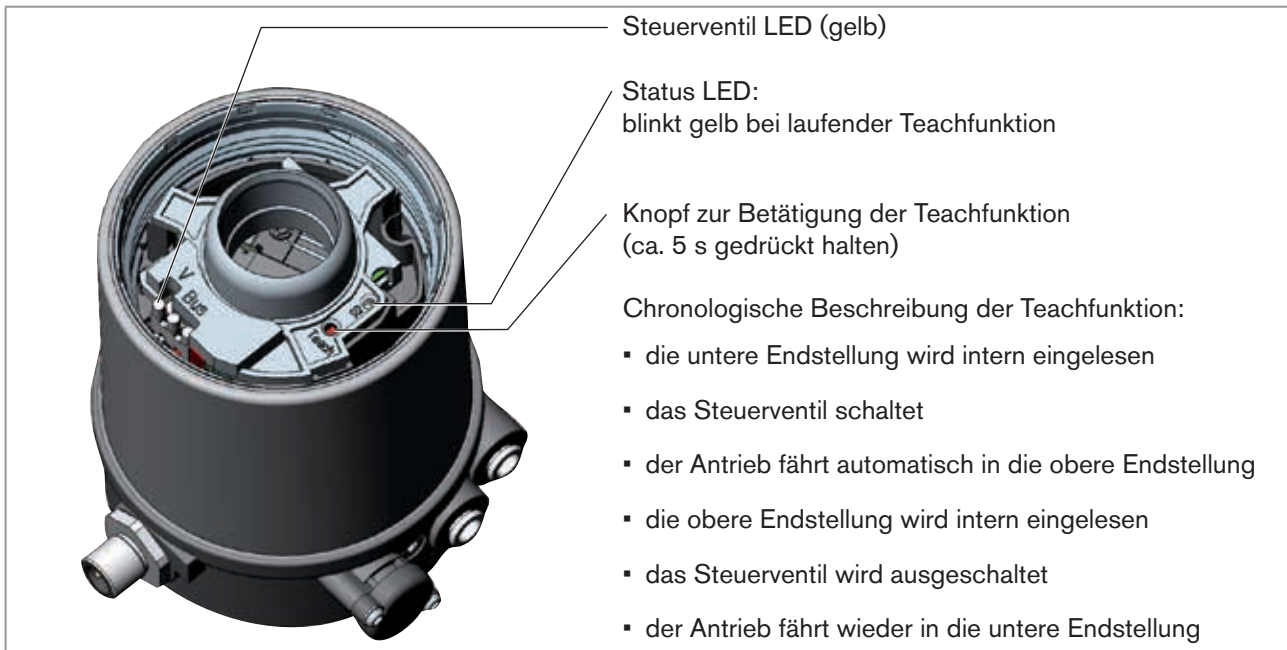


Bild 47: Steuerkopf mit Teachfunktion

HINWEIS!

Beschädigung oder Funktionsausfall durch Eindringen von Verschmutzung und Feuchtigkeit.

Zur Sicherstellung der Schutzart IP65 / IP67:

- ▶ Klarsichthaube bis auf Anschlag einschrauben.

→ Gehäuse schließen (Schraubwerkzeug: 674077¹²⁾).



Bei aktivierter Teachfunktion ist eine Ansteuerung des Antriebs über die DeviceNet-Kommunikation nicht möglich.

¹²⁾ Das Schraubwerkzeug (674077) ist über Ihre Bürkert-Vertriebsniederlassung erhältlich.

11.12.1 Starten der Teachfunktion

Die Teachfunktion kann über das Attribut „Teachfunktion“ gestartet und ausgelesen werden.

Über das Auslesen kann der Anwender 2 Informationen erhalten:

- zunächst wird er informiert ob die Teachfunktion beendet ist.
- nach dem Ende der Teachfunktion ist es möglich das Ergebnis der Funktion auszulesen.

Der Zugriff erfolgt azyklisch über Explicit Messages mit den Diensten *Set_Attribute_Single* (schreibender Zugriff) und *Get_Attribute_Single* (lesender Zugriff).

1 Datenbyte für Teachfunktion:

(Attribut-Adresse: class 150, instance 1, attribute 8)

Set_Attribute_Single:

Bit	Modus	Wertezuordnung
Bit 0	Teachfunktion	0 Start Teachfunktion
Bit 1	nicht benutzt	– (nur lesender Zugriff erlaubt)
Bit 2...7	nicht benutzt	0 immer

Tabelle 21: *Set_Attribute_Single*

Get_Attribute_Single:

Bit	Modus	Wertezuordnung
Bit 0	Teachfunktion	0 Teachfunktion läuft 1 Teachfunktion beendet
Bit 1	Ergebnis Teachfunktion (nach Ende Teachfunktion verfügbar)	0 Teachfunktion erfolgreich beendet 1 Teachfunktion fehlerhaft
Bit 2...7	nicht benutzt	0 immer

Tabelle 22: *Get_Attribute_Single*

11.13 Anzeigeelemente DeviceNet

11.13.1 LED Zustandsanzeige

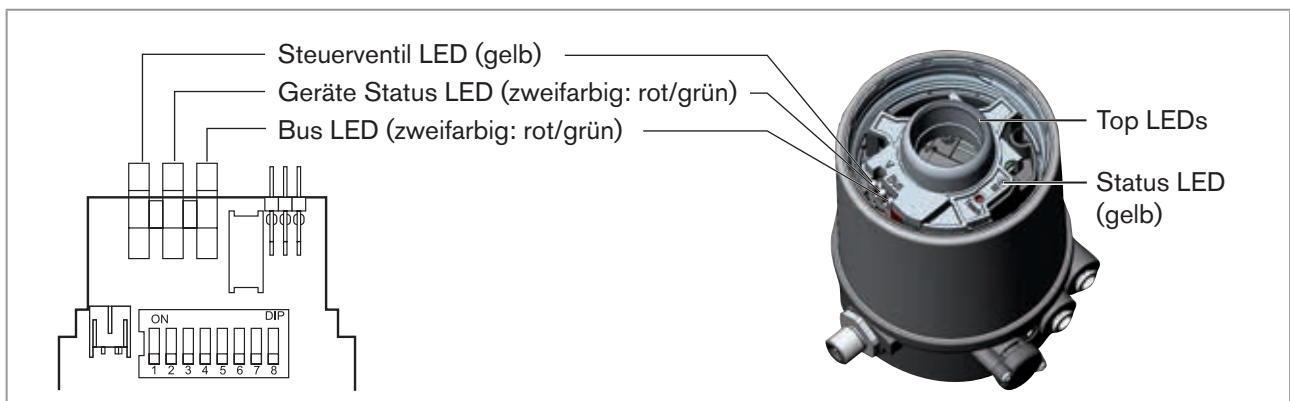


Bild 48: LED Anzeige, DeviceNet

11.13.2 Funktionstest der Geräte Status LED und Bus LED

Nach dem Anlegen der Spannung (Anschluss der Netzwerkleitung) wird für die zweifarbigen Geräte Status LED und Bus LED folgender Funktionstest ausgeführt:

- LED leuchtet kurzzeitig grün (ca. 1/4 s)
- LED leuchtet kurzzeitig rot (ca. 1/4 s)
- LED aus

Danach folgt ein weiterer Funktionstest, bei dem die LEDs kurz aufleuchten.

Nach Abschluss des Testes zeigen die LEDs die in den nachfolgenden Tabelle beschriebenen Gerätezustände an.

Zustand der Bus LED

LED	Gerätezustand	Erläuterung	Problembeseitigung
Aus	keine Spannung / nicht online	<ul style="list-style-type: none"> ▪ Gerät ist nicht mit Spannung versorgt ▪ Gerät hat Duplicate MAC ID Test noch nicht beendet (Test dauert ca. 2 s) ▪ Gerät kann Duplicate MAC ID Test nicht beenden. 	<ul style="list-style-type: none"> ▪ weitere Geräte anschließen, falls das Gerät der einzige Netzwerkteilnehmer ist ▪ Gerät austauschen ▪ Baudrate checken ▪ Busverbindung prüfen
Grün	online, Verbindung zum Master existiert	<ul style="list-style-type: none"> ▪ normaler Betriebszustand mit aufgebauter Verbindung zum Master 	
Grün blinkt	online, ohne Verbindung zum Master	<ul style="list-style-type: none"> ▪ normaler Betriebszustand ohne aufgebaute Verbindung zum Master 	
Rot blinkt	Verbindungs Time-Out	<ul style="list-style-type: none"> ▪ eine oder mehrere I/O-Verbindungen befinden sich im Time-Out-Zustand 	<ul style="list-style-type: none"> ▪ neuer Verbindungsaufbau durch Master um sicherzustellen, dass die I/O-Daten zyklisch übertragen werden.
Rot	Kritischer Fehler	<ul style="list-style-type: none"> ▪ ein weiteres Gerät mit der gleichen MAC ID Adresse befindet sich im Kreis ▪ Busverbindung fehlt wegen Kommunikationsproblemen 	<ul style="list-style-type: none"> ▪ Baudrate checken ▪ Gerät wenn nötig austauschen

Tabelle 23: Zustand der Bus LED

Zustand der Geräte Status LED

LED	Gerätezustand	Erläuterung
Aus	keine Versorgung	<ul style="list-style-type: none"> ▪ Gerät ist nicht mit Spannung versorgt
Grün	Gerät arbeitet	<ul style="list-style-type: none"> ▪ normaler Betriebszustand

Tabelle 24: Zustand der Geräte Status LED

Zustand der Steuerventil LED

LED	Erläuterung
Aus	▪ Steuerventil wird nicht angesteuert
Gelb	▪ Steuerventil wird angesteuert

Tabelle 25: Zustand der Steuerventil LED

HINWEIS!

Beschädigung oder Funktionsausfall durch Eindringen von Verschmutzung und Feuchtigkeit.

Zur Sicherstellung der Schutzart IP65 / IP67:

- ▶ Klarsichthaube bis auf Anschlag einschrauben.

11.13.3 Gerätestatus - Zuordnung der Top LEDs

Der Gerätestatus wird am Steuerkopf (Klarsichthaube) optisch durch farbige Hochleistungs-LEDs (Top LEDs) angezeigt. Die Zuordnung der grünen und gelben Top LEDs zur Endstellung kann über Explicit Messages (Attribute-Adresse: class 150, instance 1, attribute 9) oder über die Kommunikationssoftware getauscht werden.

Standardmäßig werden folgende Funktionen dargestellt:

Farbe	Gerätestatus
grüne Top LEDs leuchten	untere Endstellung
gelbe Top LEDs leuchten	obere Endstellung
rote LED blinkt im Wechsel mit den grünen oder gelben Top LEDs	<ul style="list-style-type: none"> ▪ online, ohne Verbindung zum Master ▪ Verbindungs Time-Out ▪ Kritischer Fehler

Tabelle 26: Zuordnung der Top LEDs - DeviceNet

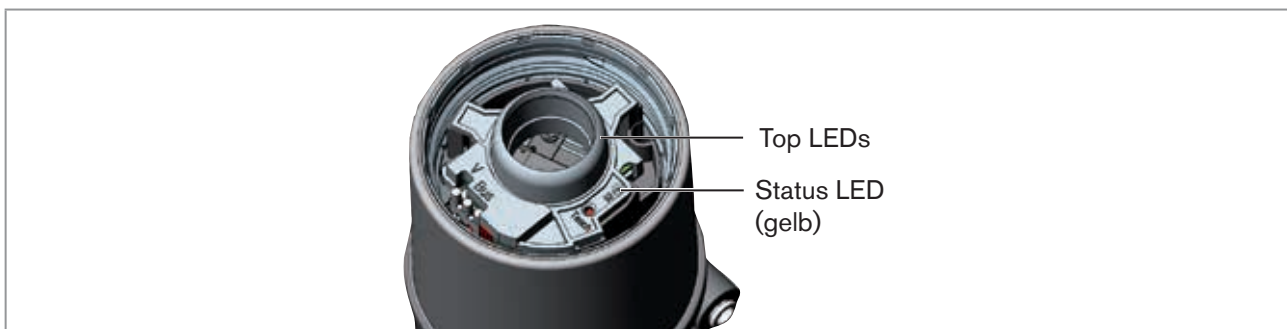


Bild 49: Top LEDs und Status LED - DeviceNet

HINWEIS!

Beschädigung oder Funktionsausfall durch Eindringen von Verschmutzung und Feuchtigkeit.

Zur Sicherstellung der Schutzart IP65 / IP67:

- ▶ Klarsichthaube bis auf Anschlag einschrauben.

11.13.4 Status LED gelb

LED gelb	
blinkt	Teachfunktion läuft
flackert	Puck nicht vorhanden → Puck einsetzen

Tabelle 27: Status LED gelb - DeviceNet

HINWEIS!

Beschädigung oder Funktionsausfall durch Eindringen von Verschmutzung und Feuchtigkeit.

Zur Sicherstellung der Schutzart IP65 / IP67:

- ▶ Klarsichthaube bis auf Anschlag einschrauben.

12 SICHERHEITSSTELLUNGEN

Sicherheitsstellungen nach Ausfall der elektrischen bzw. pneumatischen Hilfsenergie:

Betriebsart	Bezeichnung	Sicherheitsstellungen nach Ausfall der Hilfsenergie	
		elektrisch	pneumatisch
	einfachwirkend Steuerfunktion A	down	down
	einfachwirkend Steuerfunktion B	up	up
	doppeltwirkend Steuerfunktion I	down	nicht definiert

Tabelle 28: Sicherheitsstellungen

13 WARTUNG

13.1 Service am Zuluftfilter



GEFAHR!

Verletzungsgefahr durch hohen Druck in Anlage/Gerät.

- ▶ Vor Arbeiten an Anlage oder Gerät, den Druck abschalten und Leitungen entlüften/entleeren.

Zum Schutz der internen Steuerventile und des Antriebs wird die Steuerluft gefiltert.

Die Durchflussrichtung des Zuluftfilters im eingebauten Zustand ist von innen nach außen durch das Siebgewebe.

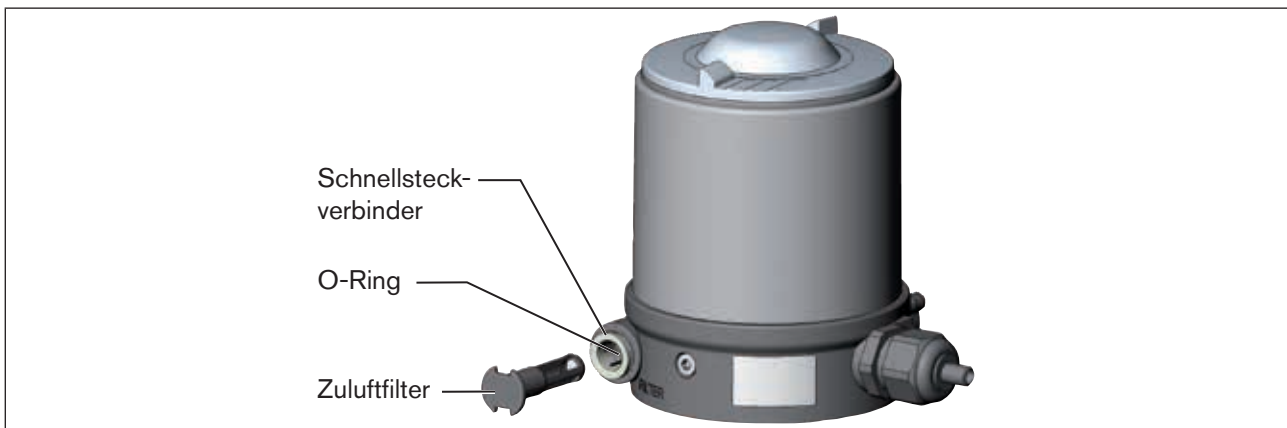


Bild 50: Service am Zuluftfilter

Vorgehensweise:

- Schnellsteckverbinder durch Eindrücken des Halteelements entriegeln und Zuluftfilter herausziehen (eventuell unter Zuhilfenahme eines geeigneten Werkzeuges zwischen den Aussparungen im Kopf des Filters).
- Filter reinigen oder falls nötig Filter auswechseln.
- Innenliegenden O-Ring prüfen und gegebenenfalls säubern.
- Zuluftfilter bis zum Anschlag in die Schnellsteckverbindung stecken.



GEFAHR!

Verletzungsgefahr durch unsachgemäße Montage.

- ▶ Auf richtige Montage des Zuluftfilters achten.

- Sicheren Sitz des Zuluftfilters prüfen.

14 DEMONTAGE

14.1 Sicherheitshinweise

GEFAHR!

Verletzungsgefahr durch hohen Druck in Anlage/Gerät.

- ▶ Vor Arbeiten an Anlage oder Gerät, den Druck abschalten und Leitungen entlüften/entleeren.

Gefahr durch Stromschlag.

- ▶ Vor Arbeiten an Anlage oder Gerät, die Spannung abschalten und vor Wiedereinschalten sichern.
- ▶ Die geltenden Unfallverhütungs- und Sicherheitsbestimmungen für elektrische Geräte beachten.

WARNUNG!

Verletzungsgefahr bei unsachgemäßer Demontage.

- ▶ Die Demontage darf nur autorisiertes Fachpersonal mit geeignetem Werkzeug durchführen.

Verletzungsgefahr durch ungewolltes Einschalten der Anlage und unkontrollierten Wiederanlauf.

- ▶ Anlage vor unbeabsichtigtem Betätigen sichern.
- ▶ Nach der Demontage einen kontrollierten Wiederanlauf gewährleisten.

14.2 Demontage Steuerkopf

Vorgehensweise:

1. Pneumatische Verbindungen

GEFAHR!

Verletzungsgefahr durch hohen Druck in Anlage/Gerät.

- ▶ Vor Arbeiten an Anlage oder Gerät, den Druck abschalten und Leitungen entlüften/entleeren.

→ Pneumatischer Anschluss lösen.

→ Reihe 20xx:

Pneumatische Verbindung zum Antrieb lösen.

2. Elektrische Verbindungen

⚠ GEFAHR!

Gefahr durch Stromschlag.

- ▶ Vor Arbeiten an Anlage oder Gerät, die Spannung abschalten und vor Wiedereinschalten sichern.
- ▶ Die geltenden Unfallverhütungs- und Sicherheitsbestimmungen für elektrische Geräte beachten.

Rundsteckverbinder:

→ Rundstecker lösen.

Kabeldurchführung:

→ Steuerkopf öffnen: Klarsichthaube gegen den Uhrzeigersinn aufschrauben.

→ Schraubklemmen lösen und Kabel herausziehen.

→ Steuerkopf schließen.

3. Mechanische Verbindungen

→ Befestigungsschrauben lösen

→ Steuerkopf abnehmen.

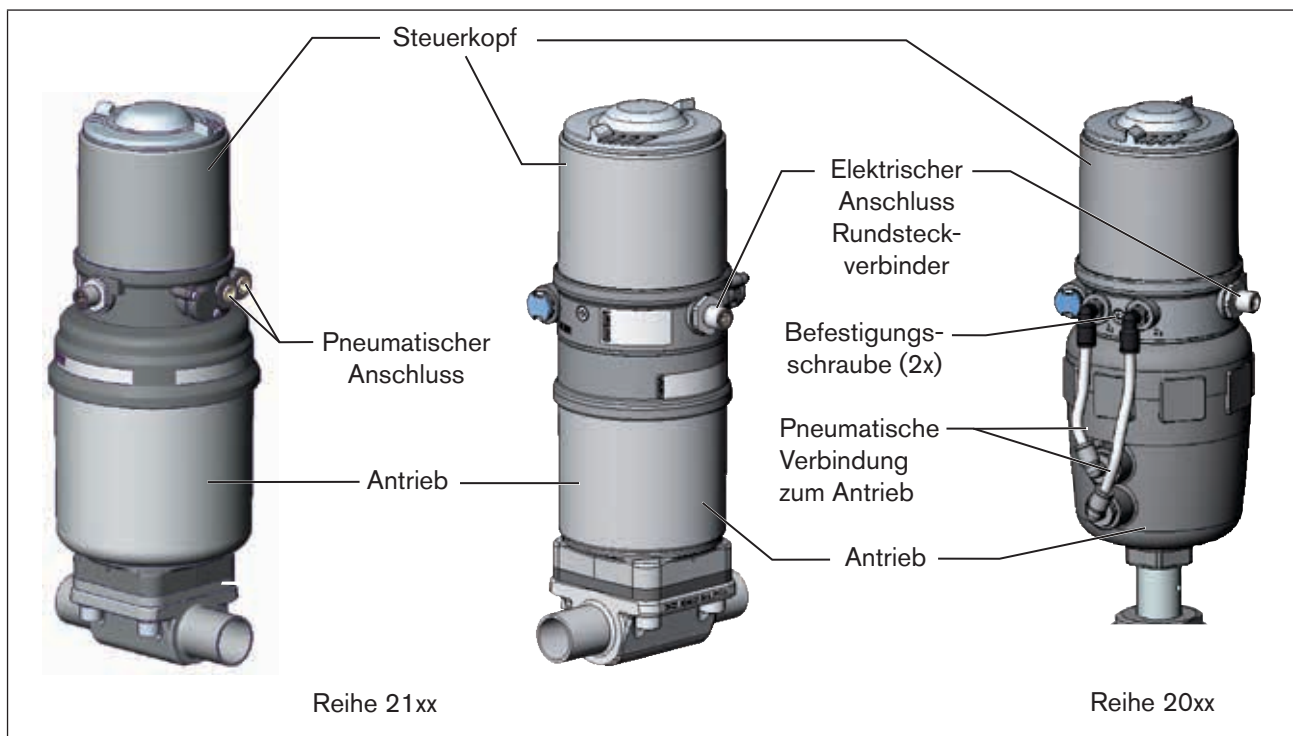


Bild 51: Demontage Steuerkopf

15 ZUBEHÖR

Bezeichnung	Bestell-Nr.
Anschlusskabel M12 x 1, 8-polig	919061
Spezialschlüssel	665702
Schraubwerkzeug	674077
USB-Adapter zum Anschluss eines PC in Verbindung mit einem Verlängerungskabel	227093
Communicator	Infos unter www.buerkert.de

Tabelle 29: Zubehör

15.1 Kommunikationssoftware

Das PC-Bedienungsprogramm „Communicator“ ist für die Kommunikation mit den Geräten Typ 8691 mit Busansteuerung über DeviceNet konzipiert. Geräte ab Baujahr April 2014 unterstützen den vollen Funktionsumfang. Bei Fragen zur Kompatibilität kontaktieren Sie bitte das Bürkert Sales Center.



Eine detaillierte Beschreibung zur Installation und Bedienung der Software finden Sie in der zugehörigen Bedienungsanleitung.

15.2 USB-Schnittstelle

Der PC benötigt eine USB-Schnittstelle für die Kommunikation mit den Geräten, zusätzlich einen Adapter mit Schnittstellentreiber (siehe „Tabelle 29: Zubehör“).

Die Datenübertragung erfolgt nach HART Spezifikation.

15.3 Download

Download der Software unter: www.buerkert.de

16 VERPACKUNG, TRANSPORT

HINWEIS!

Transportschäden.

Unzureichend geschützte Geräte können durch den Transport beschädigt werden.

- ▶ Gerät vor Nässe und Schmutz gesichert in einer stoßfesten Verpackung transportieren.
- ▶ Hitze - und Kälteeinwirkungen vermeiden, die zur Über- bzw. Unterschreitung der zulässigen Lagertemperatur führen könnten.

17 LAGERUNG

HINWEIS!

Falsche Lagerung kann Schäden am Gerät verursachen.

- ▶ Gerät trocken und staubfrei lagern.
- ▶ Lagertemperatur: -20 ... +65 °C.

18 ENTSORGUNG

→ Gerät und die Verpackung umweltgerecht entsorgen.

HINWEIS!

Umweltschäden durch von Medien kontaminierte Geräteteile.

- ▶ Entsorgungsvorschriften und Umweltbestimmungen einhalten.



Hinweis:

Nationalen Abfallbeseitigungsvorschriften beachten.

Tête de commande type 8691

SOMMAIRE

1	A PROPOS DE CE MANUEL	131
1.1	Symboles.....	131
1.2	Définition du terme / abréviation.....	131
2	UTILISATION CONFORME.....	132
2.1	Restrictions	132
3	CONSIGNES DE SÉCURITÉ FONDAMENTALES.....	133
4	INDICATIONS GÉNÉRALES	134
4.1	Adresse	134
4.2	Conditions de garantie.....	134
4.3	Marques déposées	134
4.4	Informations sur Internet.....	134
5	DESCRIPTION DU SYSTÈME.....	135
5.1	Construction et fonctions.....	135
5.1.1	Tête de commande pour le montage intégré sur la série 21xx.....	135
5.1.2	Variante de commande des vannes process de la série 20xx.....	136
6	CARACTÉRISTIQUES TECHNIQUES.....	137
6.1	Conformité.....	137
6.2	Normes	137
6.3	Homologations.....	137
6.4	Conditions d'exploitation	137
6.5	Caractéristiques mécaniques.....	137
6.6	Plaques signalétiques	138
6.6.1	Plaque signalétique standard	138
6.6.2	Plaque signalétique UL	138
6.6.3	Plaque supplémentaire UL	138
6.7	Caractéristiques pneumatiques.....	139

6.8	Caractéristiques électriques	139
6.8.1	Caractéristiques électriques sans commande bus 24 V DC.....	139
6.8.2	Caractéristiques électriques avec commande bus interface AS.....	139
6.8.3	Caractéristiques électriques avec commande bus DeviceNet.....	140
7	MONTAGE	141
7.1	Consignes de sécurité.....	141
7.2	Montage de la tête de commande type 8691 sur les vannes process des séries 21xx.....	141
7.3	Montage de la tête de commande type 8691 sur les vannes process de la série 20xx.....	145
7.4	Rotation du module actionneur.....	148
7.5	Rotation de la tête de commande pour les vannes process des séries 20xx.....	150
8	INSTALLATION PNEUMATIQUE	151
9	INSTALLATION ÉLECTRIQUE 24 V DC	152
9.1	Consignes de sécurité.....	152
9.2	Installation électrique avec presse-étoupe.....	152
9.3	Installation électrique avec connecteur rond.....	154
9.4	Fonction didactique (mesure de la position finale).....	154
9.5	Éléments d'affichage 24 V DC.....	156
9.5.1	Affichage d'état LED.....	156
9.5.2	Affichage d'état de l'appareil - l'affectation des Top LED.....	157
9.5.3	Modifier l'affectation des LED (l'état de l'appareil).....	158
10	INTERFACE AS INSTALLATION	160
10.1	Connexion interface AS.....	160
10.2	Caractéristiques techniques pour cartes interface AS.....	160
10.3	Données de programmation.....	160
10.4	Installation électrique interface AS.....	161
10.4.1	Consignes de sécurité.....	161
10.4.2	Raccordement avec connecteur rond M12 x 1, 4 pôles, mâle.....	161
10.4.3	Raccordement avec câble multipolaire et borne à câble plat.....	162
10.5	Fonction didactique (mesure de la position finale).....	163

10.6	Éléments d'affichage interface AS	165
10.6.1	Affichage d'état LED.....	165
10.6.2	L'état de l'appareil - l'affectation des LED.....	166
10.6.3	Modifier l'affectation des LED (l'état de l'appareil).....	167
11	DEVICENET.....	169
11.1	Terminologie.....	169
11.2	Caractéristiques techniques.....	169
11.3	Longueurs de câbles maximales	169
11.3.1	Longueur totale des lignes selon spécification DeviceNet.....	169
11.3.2	Longueur des lignes de branchement (Drop Lines).....	170
11.4	Réglage de sécurité en cas de panne bus	170
11.5	Interfaces	170
11.6	Raccordement électrique DeviceNet.....	170
11.6.1	Consignes de sécurité.....	170
11.6.2	Construction de la carte DeviceNet.....	171
11.6.3	Raccordement bus (connecteur rond M12 x 1, 5 pôles, mâle).....	171
11.7	Câblage de terminaison pour systèmes DeviceNet.....	171
11.8	Topologie réseau d'un système DeviceNet.....	172
11.9	Configuration de la tête de commande.....	172
11.9.1	Interrupteur DIP	172
11.10	Configuration des données de process.....	175
11.11	Configuration de la position de sécurité des vannes magnétiques en cas de défaut bus.....	176
11.12	Fonction didactique (mesure de la position finale).....	177
11.12.1	Démarrage de la fonction didactique	179
11.13	Éléments d'affichage DeviceNet.....	179
11.13.1	Affichage d'état LED.....	179
11.13.2	Test de fonctionnement des LED d'état.....	180
11.13.3	L'état de l'appareil - l'affectation des LED.....	181
11.13.4	Status LED jaune.....	182
12	POSITIONS DE SÉCURITÉ.....	183
13	MAINTENANCE.....	184

13.1	Service sur le filtre d'amenée d'air	184
14	DÉMONTAGE	185
14.1	Consignes de sécurité	185
14.2	Démontage de la tête de commande	185
15	ACCESSOIRES	187
15.1	Logiciel de communication	187
15.2	Interface USB.....	187
15.3	Téléchargement.....	187
16	EMBALLAGE, TRANSPORT	188
17	STOCKAGE	188
18	ÉLIMINATION	188

MAN 1000098455 ML Version: | Status: RL (released | freigegeben) | printed: 22.09.2017

1 A PROPOS DE CE MANUEL

Ce manuel décrit le cycle de vie complet de l'appareil. Conservez ce manuel de sorte qu'il soit accessible à tout utilisateur et à disposition de tout nouveau propriétaire.

Informations importantes sur la sécurité.

Le non-respect de ces consignes peut entraîner des situations dangereuses.

- Ce manuel doit être lu et compris.

1.1 Symboles

DANGER !

Met en garde contre un danger imminent.

- Le non-respect peut entraîner la mort ou de graves blessures.

AVERTISSEMENT !

Met en garde contre une situation éventuellement dangereuse.

- Risque de blessures graves, voire la mort en cas de non-respect.

ATTENTION !


Met en garde contre un risque possible.


- Le non-respect peut entraîner des blessures légères ou de moyenne gravité.

REMARQUE !

Met en garde contre des dommages matériels.

- L'appareil ou l'installation peut être endommagé(e) en cas de non-respect.

 désigne des informations complémentaires importantes, des conseils et des recommandations.

 renvoie à des informations dans ce manuel ou dans d'autres documentations.

▸ identifie une instruction visant à éviter un danger.

→ identifie une opération que vous devez effectuer.

1.2 Définition du terme / abréviation

Le terme « appareil » utilisé dans ce manuel désigne toujours la tête de commande type 8691.

L'abréviation « Ex » utilisé dans ce manuel désigne toujours «présentant des risques d'explosion ».

2 UTILISATION CONFORME

L'utilisation non conforme de la tête de commande type 8691 peut présenter des dangers pour les personnes, les installations proches et l'environnement.

L'appareil est conçu pour être monté sur les actionneurs pneumatiques des vannes process pour la commande de fluides.

- ▶ Dans une zone exposée à un risque d'explosion, la tête de commande type 8691 doit impérativement être utilisée conformément à la spécification indiquée sur l'étiquette autocollante d'homologation séparée. Lors de l'utilisation, il convient de respecter les instructions supplémentaires fournies avec l'appareil et reprenant les consignes de sécurité pour la zone exposée à des risques d'explosion.
- ▶ Les appareils sans étiquette autocollante d'homologation séparée ne doivent pas être installés dans une zone soumise à un risque d'explosion.
- ▶ L'appareil ne doit pas être exposé au rayonnement solaire direct.
- ▶ Lors de l'utilisation, il convient de respecter les données et conditions d'utilisation et d'exploitation admissibles spécifiées dans le manuel d'utilisation et dans les documents contractuels. Celles-ci sont décrites au chapitre « [6 Caractéristiques techniques](#) ».
- ▶ L'appareil peut être utilisé uniquement en association avec les appareils et composants étrangers recommandés et homologués par Bürkert.
- ▶ Étant donné la multitude de cas d'utilisation, il convient de vérifier et si nécessaire tester avant montage si le positionneur convient pour le cas d'utilisation concret.
- ▶ Les conditions pour l'utilisation sûre et parfaite sont un transport, un stockage et une installation dans les règles ainsi qu'une parfaite utilisation et maintenance.
- ▶ Veillez à ce que l'utilisation de la tête de commande type 8691 soit toujours conforme.

2.1 Restrictions

Lors de l'exportation du système / de l'appareil, veuillez respecter les restrictions éventuelles existantes.

3 CONSIGNES DE SÉCURITÉ FONDAMENTALES

Ces consignes de sécurité ne tiennent pas compte

- ▀ des hasards et des événements pouvant survenir lors du montage, de l'exploitation et de l'entretien des appareils.
- ▀ des prescriptions de sécurité locales que l'exploitant est tenu de faire respecter par le personnel chargé du montage.



DANGER !

Risque de blessures dû à la présence de haute pression dans l'installation/l'appareil.

- ▀ Avant de travailler sur l'installation ou l'appareil, il convient de couper la pression et de purger des conduites/ de les vider.

Risque de choc électrique.

- ▀ Avant de travailler sur l'installation ou l'appareil, couper la tension et empêcher toute remise sous tension par inadvertance.
- ▀ Respecter les réglementations en vigueur pour les appareils électriques en matière de prévention des accidents et de sécurité.

Situations dangereuses d'ordre général.

Pour prévenir les blessures, respectez ce qui suit :

- ▀ L'installation ne peut pas être actionnée par inadvertance.
- ▀ Les travaux d'installation et de maintenance doivent être effectués uniquement par des techniciens qualifiés et habilités disposant de l'outillage approprié.
- ▀ Après une interruption de l'alimentation électrique ou pneumatique, un redémarrage défini ou contrôlé du processus doit être garanti.
- ▀ L'appareil doit être utilisé uniquement en parfait état et en respectant le manuel d'utilisation.
- ▀ Les règles générales de la technique sont d'application pour planifier l'utilisation et utiliser l'appareil.

Pour prévenir les dommages matériels, respectez ce qui suit :

- ▀ N'alimentez pas le raccord d'air de pilotage en fluides agressifs ou inflammables.
- ▀ N'alimentez pas le raccord d'air de pilotage en liquides.
- ▀ Lors du vissage et du dévissage de l'enveloppe du corps ou du capot transparent ne pas exercer de contrepression sur l'actionneur de la vanne process mais sur le corps de raccordement du type 8691.
- ▀ Ne soumettez pas le corps à des contraintes mécaniques (par ex. pour déposer des objets ou en l'utilisant comme marche).
- ▀ N'apportez pas de modifications à l'extérieur du corps de l'appareil. Ne laquez pas les pièces du corps et les vis.

4 INDICATIONS GÉNÉRALES

4.1 Adresse

Allemagne

Bürkert Fluid Control System
Sales Center
Chr.-Bürkert-Str. 13-17
D-74653 Ingelfingen
Tél. : + 49 (0) 7940 - 10 91 111
Fax : + 49 (0) 7940 - 10 91 448
E-mail : info@de.buerkert.com

International

Les adresses se trouvent aux dernières pages du manuel d'utilisation imprimées.

Également sur internet sous :

www.buerkert.com

4.2 Conditions de garantie

La condition pour bénéficier de la garantie légale est l'utilisation conforme de la tête de commande Type 8691 dans le respect des conditions d'utilisation spécifiées.

4.3 Marques déposées

Les marques mentionnées sont des marques déposées des sociétés / associations / organisations concernées.

Loctite Henkel Loctite Deutschland GmbH

4.4 Informations sur Internet

Vous trouverez le manuel d'utilisation et les fiches techniques concernant le Type 8691 sur Internet sous :

www.buerkert.fr

5 DESCRIPTION DU SYSTÈME

5.1 Construction et fonctions

La tête de commande Type 8691 peut commander des vannes process à simple ou à double effet.

La tête de commande Type 8691 est optimisée pour une structure modulaire intégrée montée sur les vannes de process de la série 21xx. La structure modulaire permet différents niveaux d'extension.

Il existe une variante spéciale décrite au chapitre « 5.1.2 » pour effectuer le montage sur la série 20xx.

La détection de la position de vanne se fait par un élément capteur analogique sans contact détectant et enregistrant automatiquement les positions finales à la mise en service grâce à la fonction didactique.

En plus de l'indicateur de position électrique, l'état de l'appareil est indiqué sur la tête de commande par des Top LED de couleur.

Option : communication possible par interface AS ou DeviceNet.

5.1.1 Tête de commande pour le montage intégré sur la série 21xx

Vue sans capot transparent et enveloppe du corps

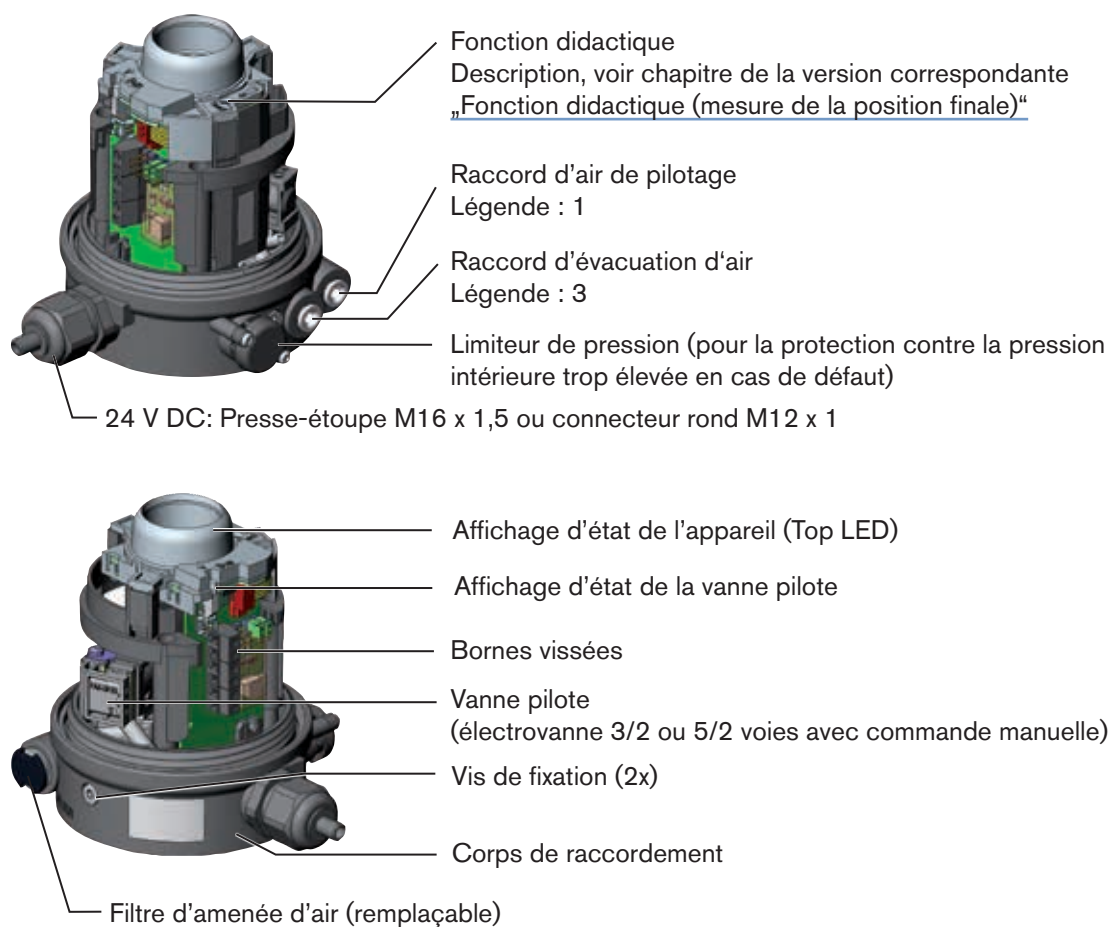


Figure 1 : Structure et mode de fonctionnement

5.1.2 Variante de commande des vannes process de la série 20xx

Une variante spéciale permet de monter la tête de commande sur les vannes process de la série 20xx.

Cette variante est dotée d'un autre corps de raccordement permettant le raccordement externe des raccords d'air de pilotage à l'actionneur (voir « Figure 2 »).

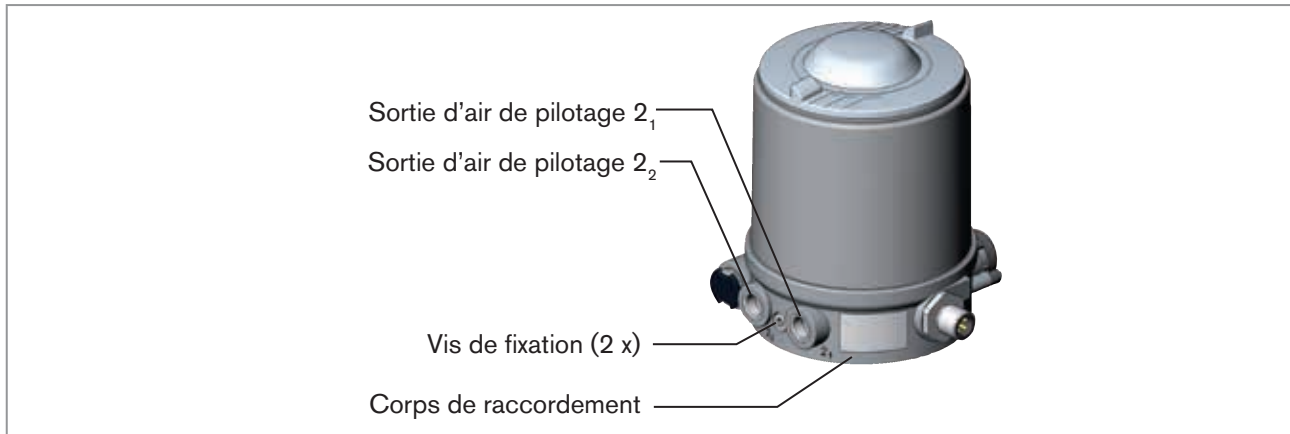


Figure 2 : Variante pour vannes process de la série 20xx

6 CARACTÉRISTIQUES TECHNIQUES

6.1 Conformité

La tête de commande type 8691 est conforme aux directives CE sur la base de la déclaration de conformité CE.

6.2 Normes

Les normes utilisées, avec lesquelles la conformité avec les directives CE sont prouvées, figurent dans l'attestation CE de type et/ou la déclaration de conformité CE.

6.3 Homologations

L'appareil est conçu pour être utilisé conformément à la directive ATEX 94/9/CE, catégorie 3GD, zones 2 et 22.



Respecter les consignes pour l'utilisation en zone protégée contre l'explosion.
Respecter la notice complémentaire ATEX.

Le produit est homologué cULus. Consignes pour l'utilisation en zone UL, voir chapitre « [6.8 Caractéristiques électriques](#) ».

6.4 Conditions d'exploitation



AVERTISSEMENT !

Le rayonnement solaire et les variations de température peuvent être à l'origine de dysfonctionnements ou de fuites.

- ▶ Lorsqu'il est utilisé à l'extérieur, n'exposez pas l'appareil aux intempéries sans aucune protection.
- ▶ Veillez à ne pas être en dessous ou au-dessus de la température ambiante admissible.

Température ambiante voir plaque signalétique

Degré de protection

Évalué par le fabricant :	Évalué par UL :
IP65 / IP67 selon EN 60529 ¹⁾	Classification UL type 4x ¹⁾

¹⁾ Uniquement lorsque le câble, les connecteurs et les douilles sont correctement raccordés et lorsque le concept d'évacuation d'air repris au chapitre « [8 Installation pneumatique](#) ».

6.5 Caractéristiques mécaniques

Dimensions	voir fiche technique	
Matériau du corps	extérieur :	PPS, PC, VA
Matériau d'étanchéité	extérieur :	EPDM
	intérieur :	NBR
Course de la tige de vanne	2 ... 28 mm	
	2 ... 47 mm	

6.6 Plaques signalétiques

6.6.1 Plaque signalétique standard

Exemple :

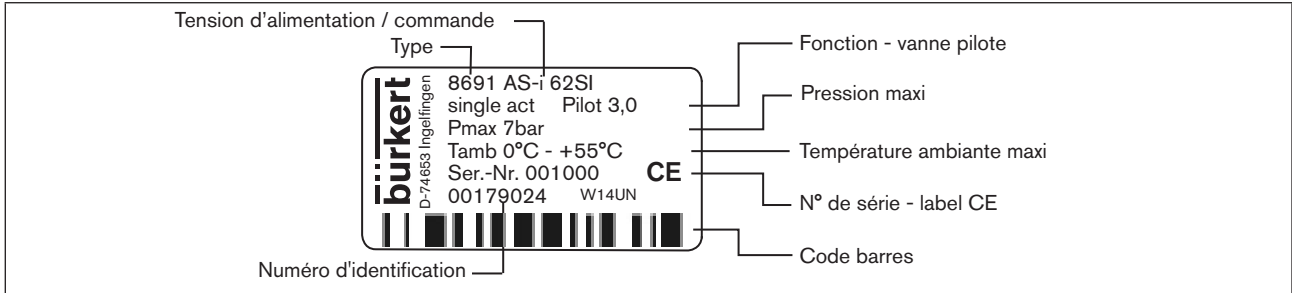


Figure 3 : Plaque signalétique (exemple)

6.6.2 Plaque signalétique UL

Exemple :

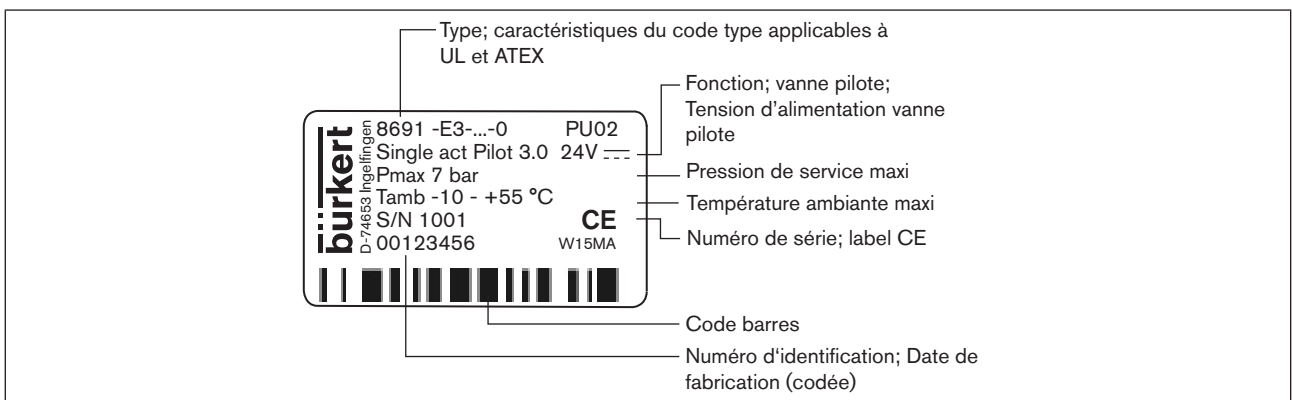


Figure 4 : Plaque signalétique UL

6.6.3 Plaque supplémentaire UL

Exemple :

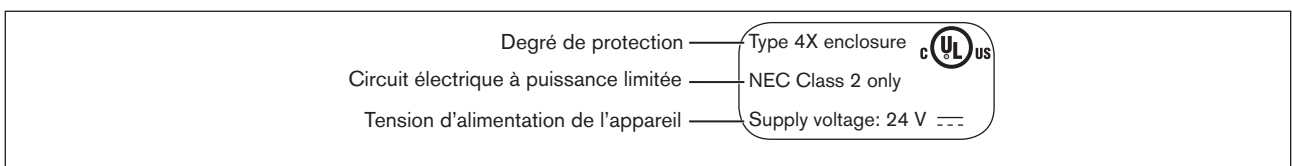


Figure 5 : Plaque supplémentaire UL

6.7 Caractéristiques pneumatiques

Fluide de commande	gaz neutres, air; Classes de qualité selon ISO 8573-1	
Teneur en poussières	Classe 7	Taille maximale des particules 40 µm, densité maximale des particules 10 mg/m ³
Teneur en eau	Classe 3	Point de rosée maximal -20 °C ou minimal 10 °C sous la température de service la plus basse
Teneur en huile	Classe X	maxi 25 mg/m ³
Plage de température	-10 ... +50 °C	
Plage de pression	3 ... 7 bars	
Débit d'air de la vanne pilote	250l _N /min (pour ventilation et aération) (Valeur Q _{Nn} selon la définition pour une chute de pression de 7 à 6 bars absolue)	
Raccordements	Connecteur de flexible Ø 6mm / 1/4" Raccord taraudé G 1/8	

6.8 Caractéristiques électriques



AVERTISSEMENT !

Dans le cas des composants à homologation UL, seuls des circuits électriques à puissance limitée selon la « classe NEC 2 » doivent être utilisés.

6.8.1 Caractéristiques électriques sans commande bus 24 V DC

Classe de protection	3 selon DIN EN 61140 (VDE 0140-1)
Raccordements	Presse-étoupes M16 x 1,5, SW22 (bornes 5 ... 10 mm) avec bornes vissées pour sections de câble de 0,14 ... 1,5 mm ² Connecteur rond (M12 x 1, 8 pôles)
Vanne pilote	
Tension d'alimentation	24 V DC ± 10 % - ondulation résiduelle 10 %
Puissance absorbée	maxi 1W
Sortie	maxi 100 mA par sortie
Affichage	maxi 20 mA par voyant lumineux représenté (LED)

6.8.2 Caractéristiques électriques avec commande bus interface AS

Classe de protection	3 selon DIN EN 61140 (VDE 0140-1)
Raccordements	Connecteur rond (M12 x 1, 4 pôles)
Tension d'alimentation	29,5 V à 31,6 V DC (selon spécification)
Sorties	
Puissance de coupure maxi	1 W via interface AS

Fonction chien de garde intégrée

Appareils sans tension d'alimentation externe :

Courant absorbé maxi 120 mA

Courant absorbé en mode normal
(après baisse du courant ; vanne + 1 position finale atteinte) 90 mA

Appareils avec alimentation en tension externe :

Tension d'alimentation externe 24 V ± 10 %
L'appareil d'alimentation doit comprendre une séparation
sûre selon CEI 364-4-41 (PELV ou SELV)

Courant absorbé maxi 55 mA (après baisse de courant ≤ 30 mA)

Courant absorbé maxi de l'Interface AS 55 mA

6.8.3 Caractéristiques électriques avec commande bus DeviceNet

Classe de protection 3 selon DIN EN 61140 (VDE 0140-1)

Raccordements Connecteur rond (M12 x 1, 5 pôles)

Tension d'alimentation 11 V à 25 V

Courant absorbé maxi < 80 mA

Sortie ≤ 50 mA
Courant de démarrage ≤ 30 mA
Courant d'arrêt

7 MONTAGE

7.1 Consignes de sécurité

DANGER !

Risque de blessures dû à la présence de haute pression dans l'installation/l'appareil.

- ▶ Avant de travailler sur l'installation ou l'appareil, il convient de couper la pression et de purger des conduites/ de les vider.

Risque de choc électrique.

- ▶ Avant de travailler sur l'installation ou l'appareil, couper la tension et empêcher toute remise sous tension par inadvertance.
- ▶ Respecter les réglementations en vigueur pour les appareils électriques en matière de prévention des accidents et de sécurité.

AVERTISSEMENT !

Risque de blessures dû à un montage non conforme.

- ▶ Le montage doit être effectué uniquement par un personnel qualifié et habilité disposant de l'outillage approprié.

Risque de blessures dû à la mise en marche involontaire de l'installation et le redémarrage non contrôlé.

- ▶ Empêchez tout actionnement involontaire de l'installation.
- ▶ Garantisiez un redémarrage contrôlé après le montage.

7.2 Montage de la tête de commande type 8691 sur les vannes process des séries 21xx

REMARQUE !

Lors du montage sur les vannes process à corps soudé, observer les consignes de montage dans le manuel d'utilisation de la vanne process.

Procédure à suivre :

1. Monter la tige de commande

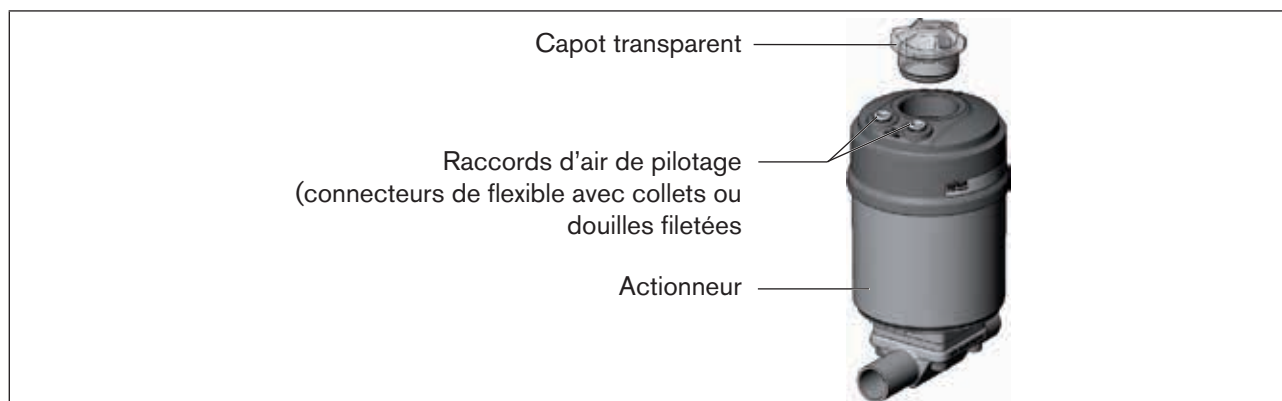


Figure 6 : Montage de la tige de commande (1), série 21xx

- Dévisser le capot transparent sur l'actionneur ainsi que l'indicateur de position (capot jaune) sur la rallonge de la tige (si disponible).
- Pour la variante avec raccords de flexible, retirer les collets (embouts à olive blancs) des deux raccords d'air de pilotage (si disponibles).

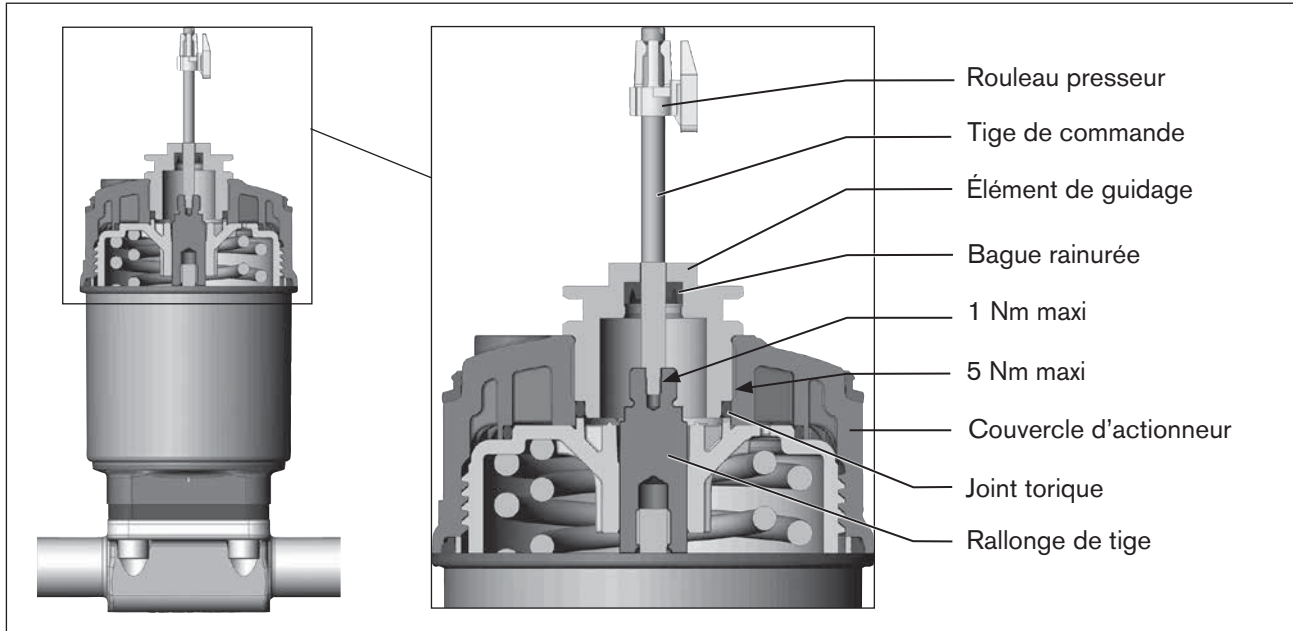


Figure 7 : Montage de la tige de commande (2), série 21xx

REMARQUE !

Le montage non conforme peut endommager la bague rainurée dans l'élément de guidage.

La bague rainurée est déjà montée dans l'élément de guidage et doit être engagée dans la coupe arrière.

- ▶ N'endommagez pas la bague rainurée lors du montage de la tige de commande.

- Pousser la tige de commande à travers l'élément de guidage.

REMARQUE !

Le frein-filet peut contaminer la bague rainurée.

- ▶ N'appliquez pas de frein-filet sur la tige de commande.

- Pour assurer le blocage de la tige de commande, appliquer un peu de frein-filet (Loctite 290) dans l'alésage de la rallonge de tige située dans l'actionneur.
- Contrôler le bon positionnement du joint torique.
- Visser l'élément de guidage avec le couvercle d'actionneur (couple de serrage maximal : 5 Nm).
- Visser la tige de commande sur la rallonge de tige. A cet effet, une fente est présente sur le dessus de la tige (couple de serrage maximal : 1 Nm).
- Glisser le rouleau presseur sur la tige de commande et l'engager.

2. Monter les bagues d'étanchéité

→ Placer le joint profilé sur le couvercle d'actionneur (le plus petit diamètre est dirigé vers le haut).

→ Contrôler le bon positionnement des joints toriques dans les raccords d'air de pilotage.



Lors du montage de la tête de commande les collets des raccords d'air de pilotage ne doivent pas être montés sur l'actionneur.

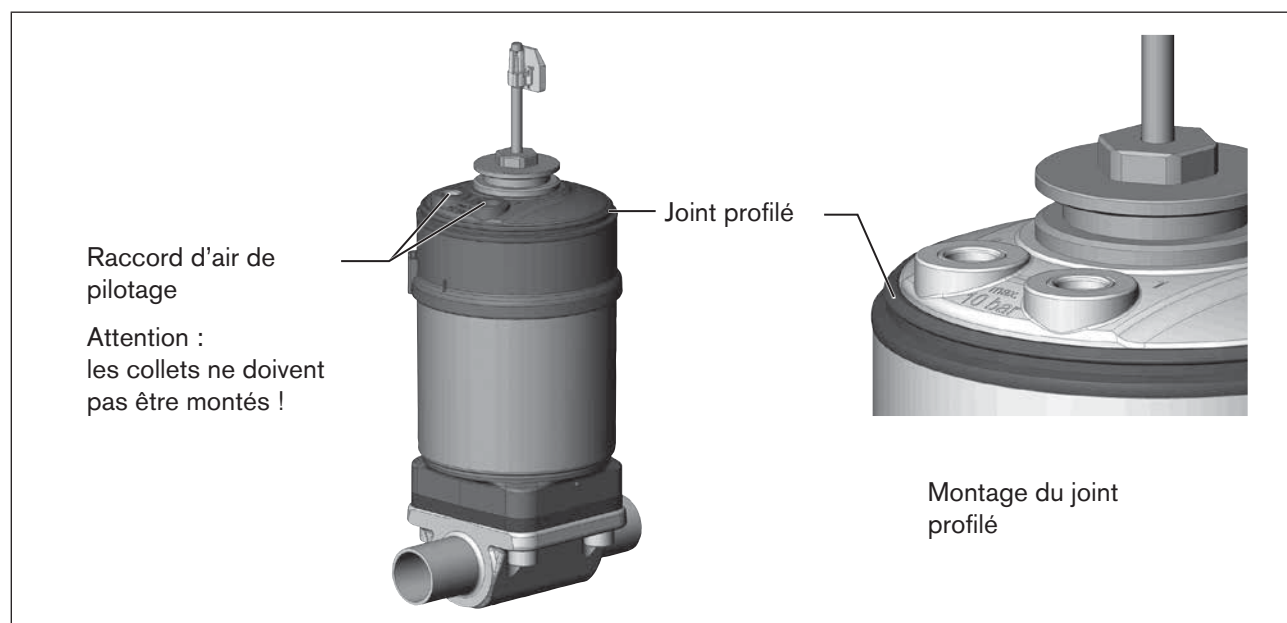


Figure 8 : Montage des bagues d'étanchéité, série 21xx

3. Monter la tête de commande

REMARQUE !

Endommagement de la carte ou panne.

- ▶ Veiller à ce que le rouleau presseur repose bien à plat sur le rail de guidage.

- Disposer le rouleau presseur et la tête de commande de façon
1. qu'il entre dans le rail de guidage de la tête de commande (voir « Figure 9 ») et
 2. que les manchons de la tête de commande entrent dans les raccords d'air de pilotage de l'actionneur (voir « Figure 10 »).

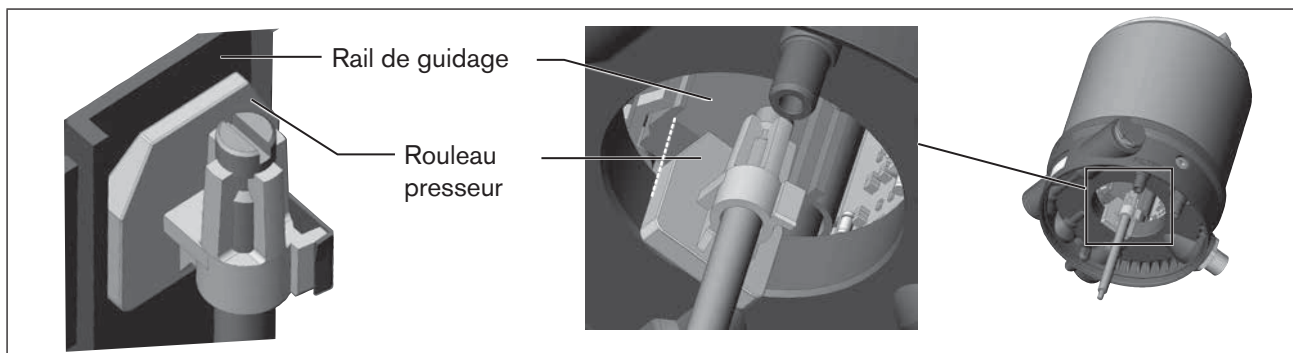


Figure 9 : Disposition du rouleau presseur

- Glisser la tête de commande sur l'actionneur sans la faire tourner jusqu'à ce que le joint profilé ne présente plus d'interstice.

REMARQUE !

Le degré de protection IP65 / IP67 ne peut être garanti si le couple de serrage de la vis de fixation est trop élevé.

- ▶ Les vis de fixation doivent être serrées uniquement avec un couple de serrage maximal de 1,5 Nm.

- Fixer la tête de commande sur l'actionneur à l'aide des deux vis de fixation latérales. Ne serrer les vis que légèrement (couple de serrage maxi : 1,5 Nm).

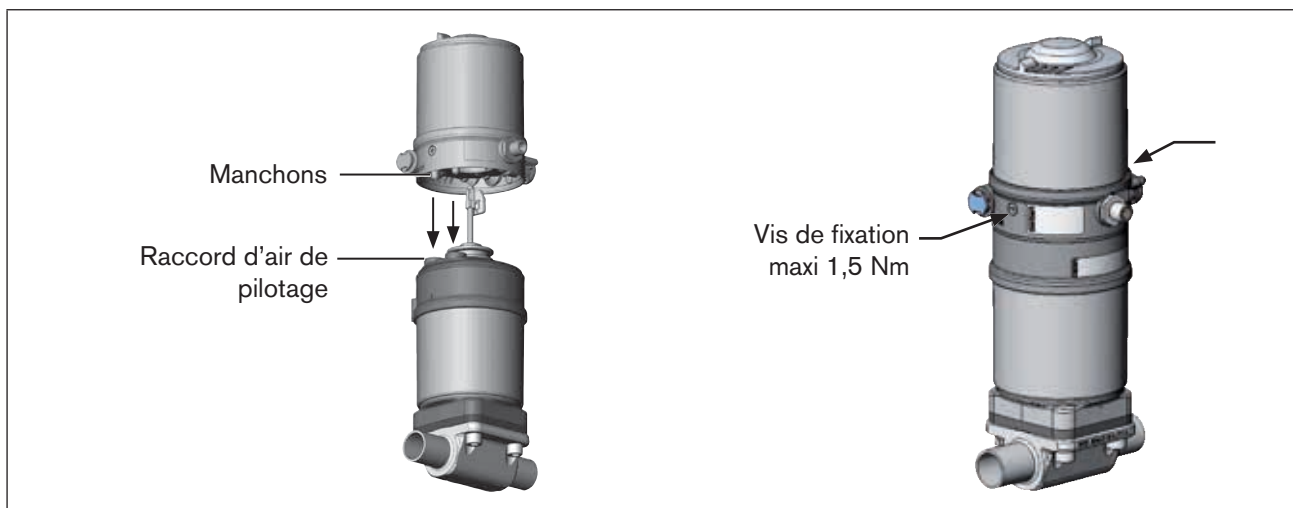


Figure 10 : Montage de la tête de commande

7.3 Montage de la tête de commande type 8691 sur les vannes process de la série 20xx

Procédure à suivre :

1. Monter la tige de commande

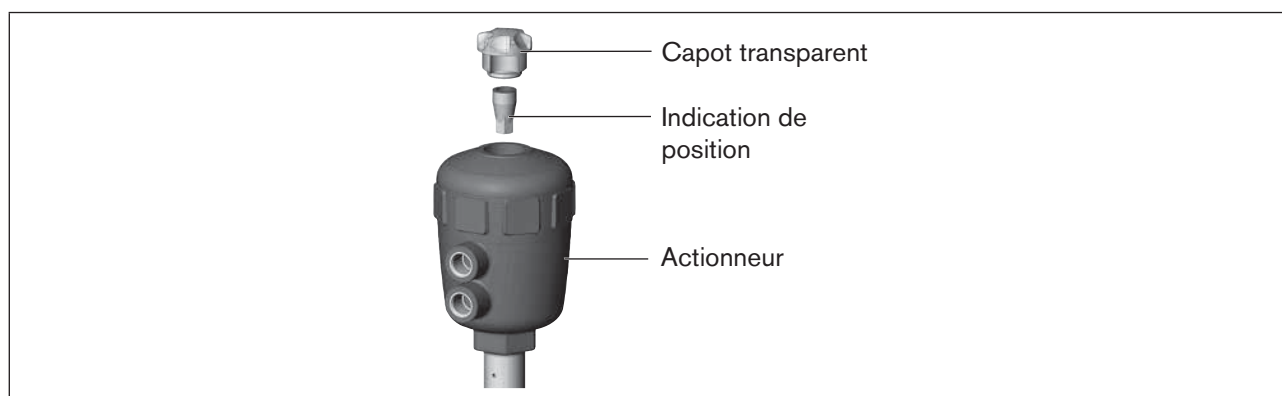


Figure 11 : Montage de la tige de commande (1), série 20xx

→ Dévisser le capot transparent sur l'actionneur.

→ A l'intérieur de l'actionneur, dévisser l'indication de la position orange/jaune avec une clé à six pans creux.

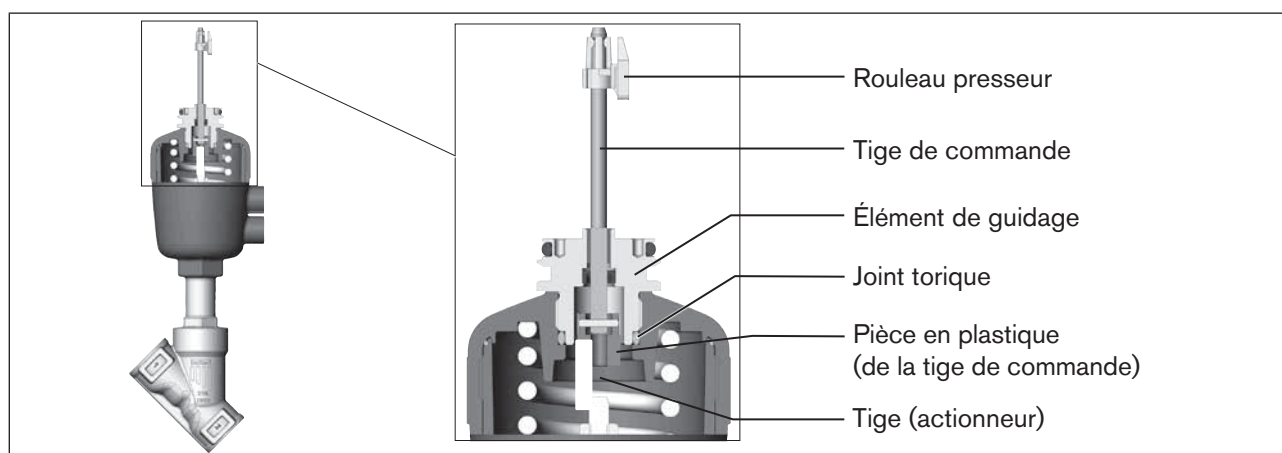


Figure 12 : Montage de la tige de commande (2), série 20xx

→ Enfoncer le joint torique vers le bas dans le couvercle de l'actionneur.

→ Visser, à la main et dans un premier temps sans serrer à fond, la tige de commande (ainsi que l'élément de guidage) avec la pièce en plastique sur la tige de l'actionneur.

→ Visser l'élément de guidage dans le couvercle de l'actionneur à l'aide d'une clé à ergots²⁾ (couple de serrage : 8,0 Nm).

→ Serrer à fond la tige de commande sur la tige de piston de l'actionneur. A cet effet, une fente est présente sur le dessus de la tige (couple de serrage maximal : 1 Nm).

→ Glisser le rouleau presseur sur la tige de commande jusqu'à ce qu'il s'engage.

²⁾ pivot Ø : 3 mm ; écartement du pivot : 23,5 mm

2. Monter de la bague et de la tête de commande

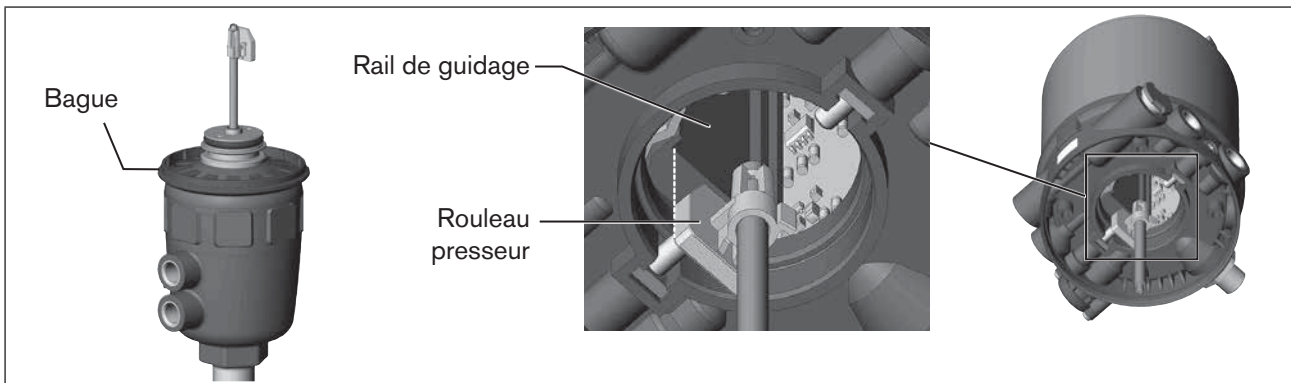


Figure 13 : Montage de la bague et de la tête de commande, série 20xx

→ Positionner la bague sur le couvercle d'actionneur (uniquement pour les tailles d'actionneur Ø 50 et Ø 63).

REMARQUE !

Endommagement de la carte ou panne.

- ▶ Veiller à ce que le rouleau presseur repose bien à plat sur le rail de guidage.

→ Glisser la tête de commande sur l'actionneur. Le rouleau presseur doit être disposé de manière à entrer dans le rail de guidage la tête de commande.

→ Pousser la tête de commande complètement vers le bas jusqu'à l'actionneur et le disposer dans la position souhaitée en le faisant tourner.

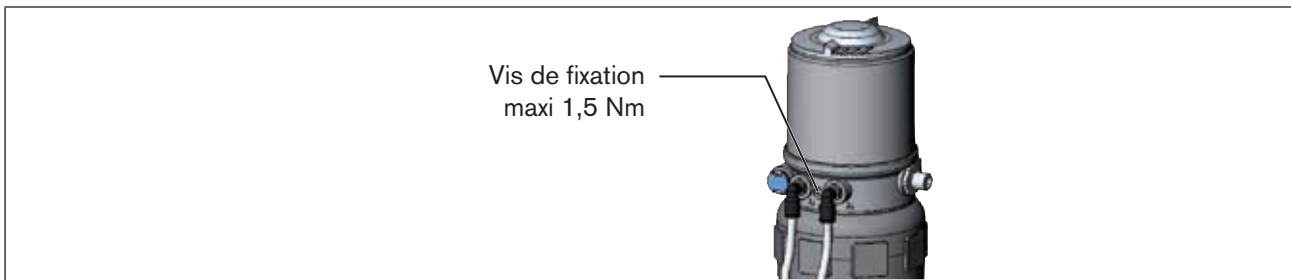


Figure 14 : Montage de la tête de commande



Veillez à ce que les raccordements pneumatiques de la tête de commande et ceux de l'actionneur soient de préférence superposés (voir « Figure 15 »). Un autre positionnement nécessiterait, éventuellement, des flexibles plus longs que ceux fournis en tant qu'accessoires.

REMARQUE !

Le degré de protection IP65 / IP67 ne peut être garanti si le couple de serrage de la vis de fixation est trop élevé.

- ▶ Les vis de fixation doivent être serrées uniquement avec un couple de serrage maximal de 1,5 Nm.

→ Fixer la tête de commande sur l'actionneur à l'aide des deux vis de fixation latérales. Ne serrer les vis de fixation que légèrement (couple de serrage maxi : 1,5 Nm).

3. Réaliser le raccordement pneumatique entre la tête de commande et l'actionneur

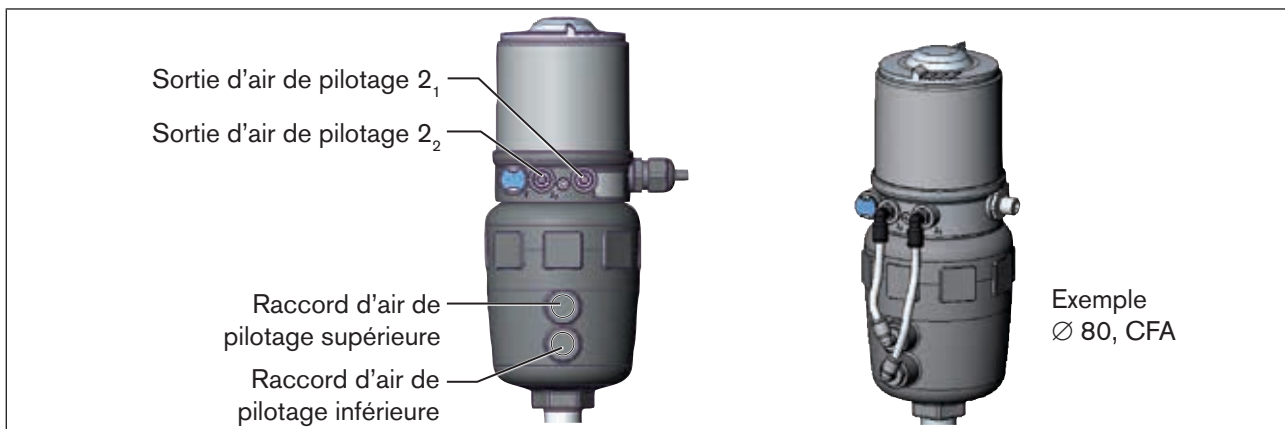


Figure 15 : Montage du raccordement pneumatique, série 20xx

- Visser les connecteurs de flexible sur la tête de commande et l'actionneur.
- Réaliser le raccordement pneumatique entre la tête de commande et l'actionneur à l'aide des flexibles fournis avec le jeu d'accessoires et du « [Tableau 1](#) » ou « [Tableau 2](#) »

REMARQUE !

Domage ou panne suite à la pénétration d'encrassement et d'humidité.

- ▶ Relier le sortie d'air de pilotage non utilisé (fonction A et fonction B) à le raccord d'air de pilotage libre de l'actionneur ou l'obturer afin de respecter le degré de protection IP65 / IP67.

Fonction A (CFA)		Vanne process fermée en position de repos (par ressort)		
Tête de commande	Sortie d'air de pilotage		ou	
Actionneur	Raccord d'air de pilotage supérieure			
	Raccord d'air de pilotage inférieure			
Fonction B (CFB)		Vanne process ouverte en position de repos (par ressort)		
Tête de commande	Sortie d'air de pilotage		ou	
Actionneur	Raccord d'air de pilotage supérieure			
	Raccord d'air de pilotage inférieure			

Tableau 1 : Raccordement pneumatique à l'actionneur CFA et CFB

MAN 1000098455 ML Version: I Status: RL (released | freigegeben) printed: 22.09.2017

Fonction I (CFI)		
Vanne process fermée en position de repos		
Tête de commande	Sortie d'air de pilotage	
Actionneur	Raccord d'air de pilotage supérieure	
	Raccord d'air de pilotage inférieure	
Vanne process ouverte en position de repos		
Tête de commande	Sortie d'air de pilotage	
Actionneur	Raccord d'air de pilotage supérieure	
	Raccord d'air de pilotage inférieure	

Tableau 2 : Raccordement pneumatique à l'actionneur CFI



« En position de repos » signifie que les vannes pilote de la tête de commande type 8691 ne sont pas alimentées en courant ou ne sont pas activées.



Avec un air ambiant humide, il est possible de réaliser pour la fonction A ou pour la fonction B un raccordement par flexible entre la sortie d'air de pilotage 2₂ de la tête de commande et le raccord d'air de pilotage non raccordée de l'actionneur. Ainsi, la chambre à ressort de l'actionneur est alimentée en air sec à partir du canal de purge d'air de la tête de commande.

7.4 Rotation du module actionneur



La rotation du module actionneur (tête de commande et actionneur) est uniquement possible pour les vannes à siège droit et à siège incliné.

La position des raccordements peut être alignée en continu par la rotation du module actionneur (tête de commande et actionneur) de 360°.



Vannes process type 2100 et 2101 : Seul le module actionneur complet peut être tourné. La rotation de la tête de commande contre l'actionneur n'est pas possible.

Lors de l'alignement du module actionneur, la vanne process doit être en position ouverte.



DANGER !

Risque de blessures dû à la présence de haute pression dans l'installation/l'appareil.

- ▶ Avant de travailler sur l'installation ou l'appareil, il convient de couper la pression et de purger des conduites/ de les vider.

Procédure à suivre :

→ Serrer le corps de la vanne dans un dispositif de maintien (nécessaire uniquement si la vanne process n'est pas encore montée).

→ Avec la fonction A : ouvrir la vanne process.

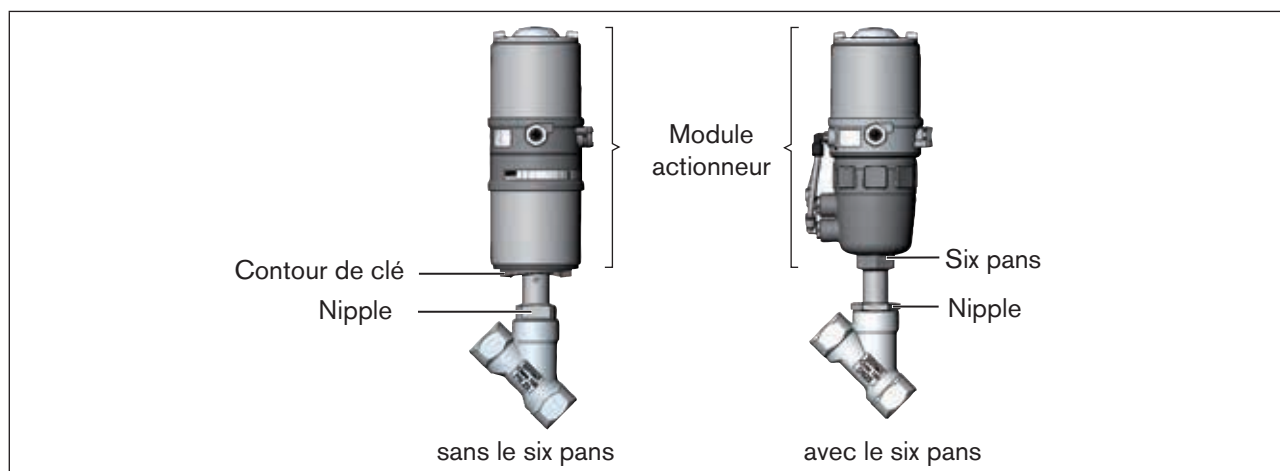


Figure 16 : Rotation du module actionneur

- Retenir à l'aide d'une clé plate appropriée sur le nipple.
- Le module actionneur sans le six pans :
Positionner la clé spéciale³⁾ exactement dans le contour de la clé sur le dessous de l'actionneur.
- Le module actionneur avec le six pans :
Positionner une clé plate appropriée sur le six pans de l'actionneur.



AVERTISSEMENT !

Risque de blessures dû à la sortie de fluide et à la décharge de pression.

L'interface du corps peut se détacher si la rotation se fait dans la mauvaise direction.

- ▶ Tournez le module actionneur **uniquement dans le sens prescrit** (voir « Figure 18 »).

- Le module actionneur sans le six pans :
Amener le module actionneur dans la position souhaitée en tournant **dans le sens des aiguilles d'une montre** (vu de dessous).
- Le module actionneur avec le six pans :
Amener le module actionneur dans la position souhaitée en tournant **dans le sens contraire des aiguilles d'une montre** (vu de dessous).

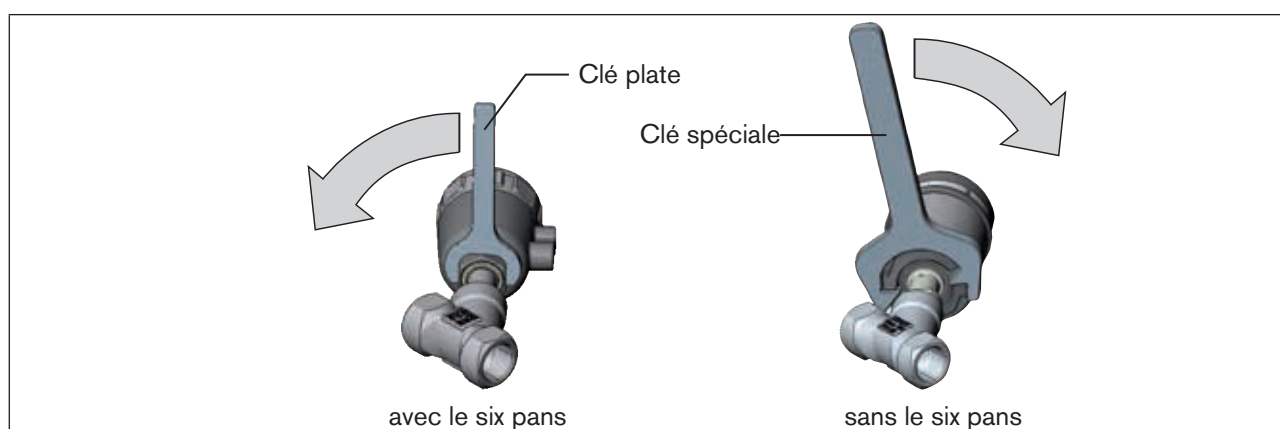


Figure 17 : Tourner avec une clé spéciale / clé plate

³⁾ La clé spéciale (665702) est disponible auprès de votre filiale de distribution Bürkert.

7.5 Rotation de la tête de commande pour les vannes process des séries 20xx

Si après montage de la vanne process, le montage des câbles de raccordement ou des flexibles est difficile, il est possible de tourner la tête de commande contre l'actionneur.

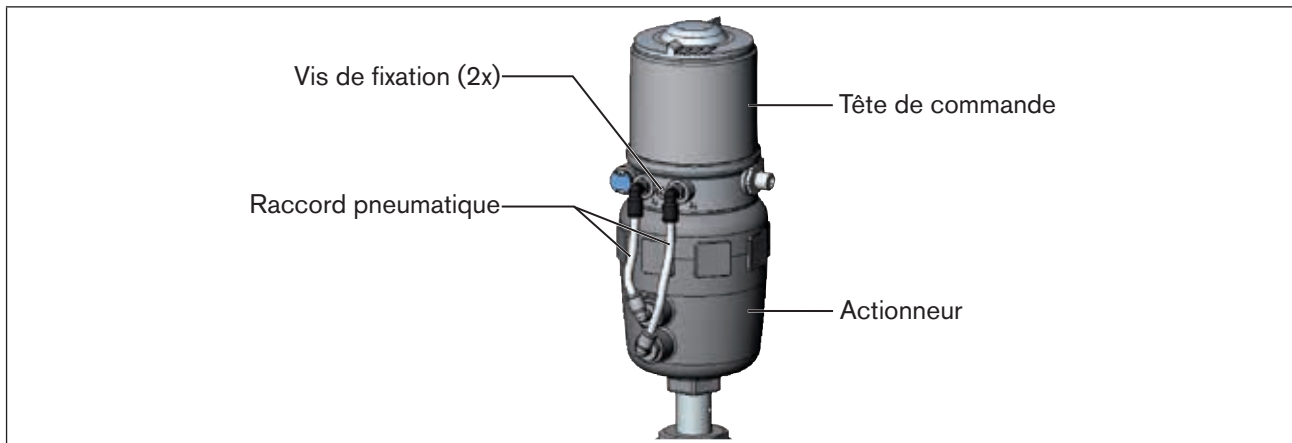


Figure 18 : Rotation de la tête de commande, séries 20xx

Procédure à suivre

- Desserrer le raccord pneumatique entre la tête de commande et l'actionneur.
- Desserrer les vis de fixation sur le côté du corps (six pans creux clé de 2,5).
- Tourner la tête de commande dans la position souhaitée.

REMARQUE !

Le degré de protection IP65 / IP67 ne peut être garanti si le couple de serrage de la vis de fixation est trop élevé.

- ▶ La vis de fixation doit être serrée uniquement avec un couple de serrage maximal de 1,5 Nm.

- Ne serrer les vis de fixation que légèrement (couple de serrage maxi : 1,5 Nm).
- Rétablir les raccords pneumatiques entre la tête de commande et l'actionneur. Si nécessaire, utiliser des flexibles plus longs.

8 INSTALLATION PNEUMATIQUE



DANGER !

Risque de blessures dû à la présence de haute pression dans l'installation/l'appareil.

- ▶ Avant de travailler sur l'installation ou l'appareil, il convient de couper la pression et de purger des conduites/ de les vider.



AVERTISSEMENT !

Risque de blessures dû à un montage non conforme.

- ▶ Le montage doit être effectué uniquement par un personnel qualifié et habilité disposant de l'outillage approprié.

Risque de blessures dû à la mise en marche involontaire de l'installation et le redémarrage non contrôlé.

- ▶ Empêchez tout actionnement involontaire de l'installation.
- ▶ Garantisiez un redémarrage contrôlé après le montage.

Procédure à suivre :

- Raccorder le fluide de commande au raccord d'air de pilotage (1)
(3 ... 7 bars ; air d'instrument, exempt d'huile, d'eau et de poussières).
- Monter la conduite d'évacuation d'air ou un silencieux sur le raccord d'évacuation d'air (3) (voir « Figure 19 »).



Remarque importante concernant le parfait fonctionnement de l'appareil :

- ▶ L'installation ne doit pas générer de contre-pression.
- ▶ Pour le raccordement, choisissez un flexible d'une section suffisante.
- ▶ La conduite d'évacuation d'air doit être conçue de façon à empêcher l'entrée d'eau ou d'autre liquide dans l'appareil par le raccord d'évacuation d'air.

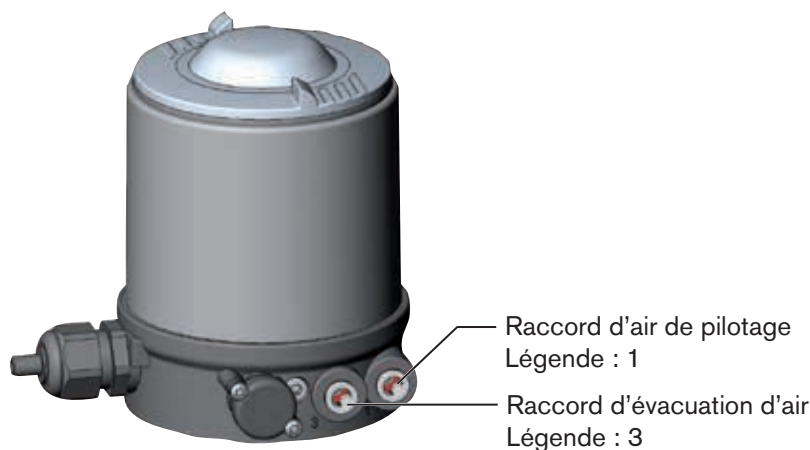


Figure 19 : Raccordement pneumatique



Attention (concept d'évacuation d'air) :

Pour le respect du degré de protection IP67, il convient de monter une conduite d'évacuation d'air dans la zone sèche.

Maintenez la pression d'alimentation appliquée **absolument** à au moins 0,5 ... 1 bar au-dessus de la pression nécessaire pour amener l'actionneur dans sa position finale.

9 INSTALLATION ÉLECTRIQUE 24 V DC

Il existe deux types de raccordement pour réaliser le contact électrique de la tête de commande :

- **Presse-étoupe**
M16 x 1,5 et bornes à vis
- **Multipôle**
avec connecteur rond M12 x 1, 8 pôles

9.1 Consignes de sécurité



DANGER !

Risque de choc électrique.

- ▶ Avant de travailler sur l'installation ou l'appareil, couper la tension et empêcher toute remise sous tension par inadvertance.
- ▶ Respecter les réglementations en vigueur pour les appareils électriques en matière de prévention des accidents et de sécurité.



AVERTISSEMENT !

Risque de blessures dû à un montage non conforme.

- ▶ Le montage doit être effectué uniquement par un personnel qualifié et habilité disposant de l'outillage approprié.

Risque de blessures dû à la mise en marche involontaire de l'installation et le redémarrage non contrôlé.

- ▶ Empêchez tout actionnement involontaire de l'installation.
- ▶ Garantissez un redémarrage contrôlé après le montage.

9.2 Installation électrique avec presse-étoupe

REMARQUE !

Rupture des manchons pneumatiques due à la torsion.

- ▶ Pour dévisser et visser l'enveloppe du corps, ne pas exercer de contrepression sur l'actionneur de vanne process mais sur le corps de raccordement.

→ Devisser l'enveloppe de corps (acier inoxydable) dans le sens contraire des aiguilles d'une montre.

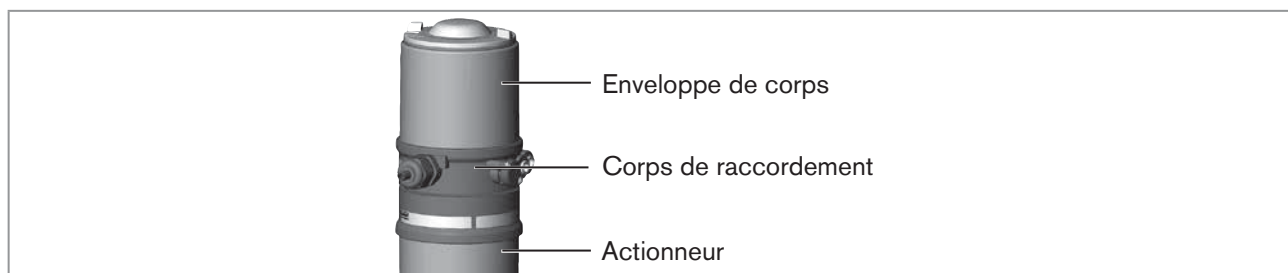


Figure 20 : Ouvrir tête de commande

→ Pousser les câbles à travers le presse-étoupes.

→ Raccorder les fils (voir affectation du raccordement « Figure 21 : Carte 24 V DC - Presse-étoupe »)

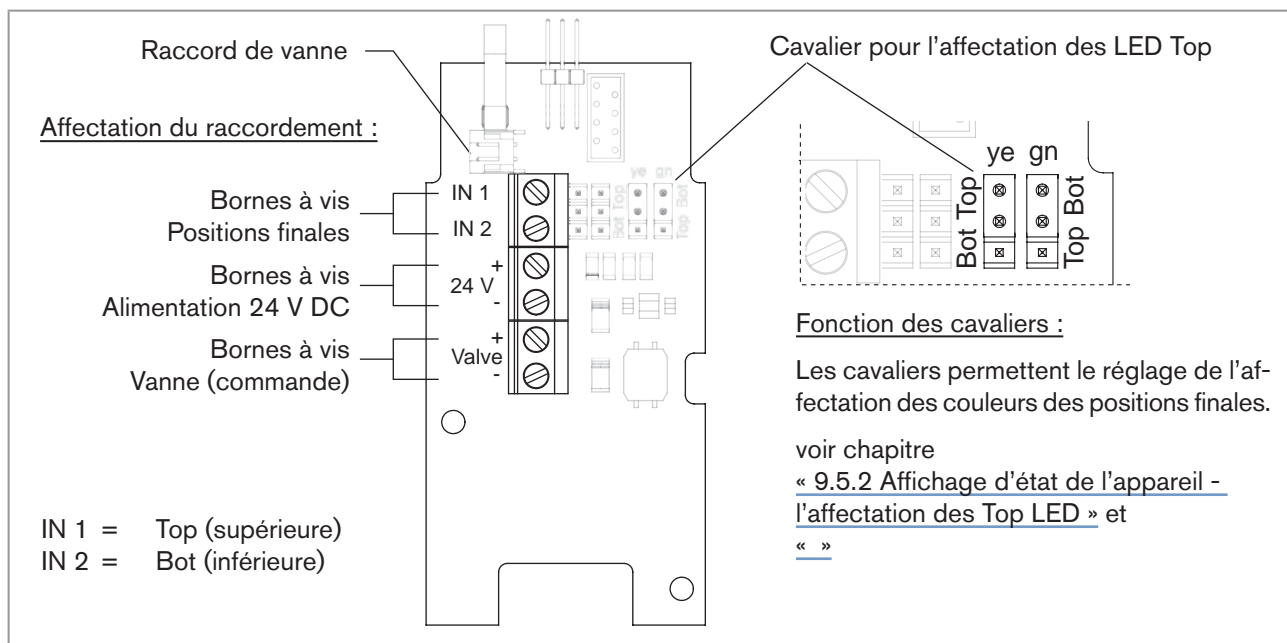


Figure 21 : Carte 24 V DC - Presse-étoupe

→ Contrôler la position correcte du joint dans l'enveloppe du corps.

REMARQUE !

Rupture des manchons pneumatiques due à la torsion.

- ▶ Pour dévisser et visser l'enveloppe du corps, ne pas exercer de contrepression sur l'actionneur de vanne process mais sur le corps de raccordement.

Domage ou panne suite à la pénétration d'encrassement et d'humidité.

Pour garantir le degré de protection IP65 / IP67 :

- ▶ Serrer l'écrou-raccord du passe-câbles à vis en fonction de la taille de câble, resp. du bouchon borgne utilisé(e).
- ▶ Visser l'enveloppe du corps jusqu'en butée.

→ Serrer l'écrou-raccord du passe-câbles à vis (couple env. 1,5 Nm).

→ Fermer le corps (outil de montage : 674077⁴⁾).

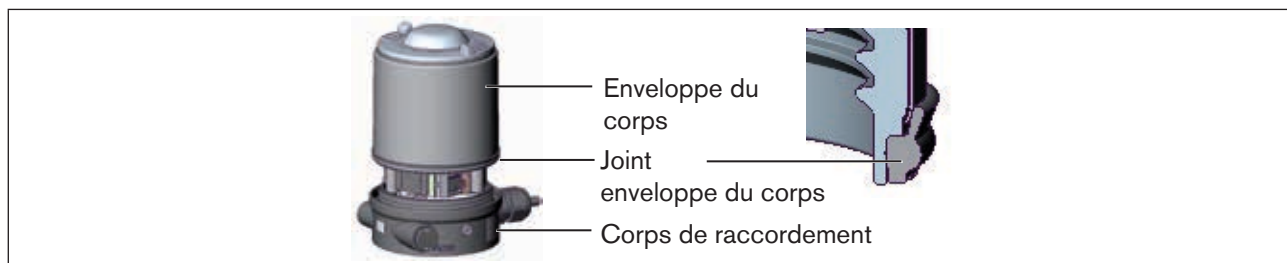


Figure 22 : Position du joint (enveloppe du corps)

La fonction didactique permet maintenant de déterminer et de lire automatiquement les positions finales de la vanne (description de la fonction didactique voir chapitre « 9.4 Fonction didactique (mesure de la position finale) »).

⁴⁾ L'outil de montage (674077) est disponible auprès de votre filiale de distribution Bürkert.

MAN 1000098455 ML Version: | Status: RL (released | freigegeben) | printed: 22.09.2017

9.3 Installation électrique avec connecteur rond

DANGER !

Risque de choc électrique.

- ▶ Avant de travailler sur l'installation ou l'appareil, couper la tension et empêcher toute remise sous tension par inadvertance.
- ▶ Respecter les réglementations en vigueur pour les appareils électriques en matière de prévention des accidents et de sécurité.

→ Raccorder la tête de commande conformément au tableau.

Affectation du connecteur rond (M 12 x 1, 8 pôles) :

Broche	Couleur de fil ⁵⁾	Désignation	Affectation
1	blanc	Interrupteur limiteur supérieure	IN 1 (=Top)
2	brun	Interrupteur limiteur inférieure	IN 2 (=Bot)
3	vert	Tension d'alimentation	TERRE (GND)
4	jaune	Tension d'alimentation +	24 V DC
5	gris	Commande de vanne +	Vanne +
6	rose	Commande de vanne -	Vanne -
7		-	non affecté
8		-	non affecté

Tableau 3 : Connecteur rond M12 x 1, 8-pôles

La fonction didactique permet maintenant de déterminer et de lire automatiquement les positions finales de la vanne (description de la fonction didactique voir chapitre « 9.4 Fonction didactique (mesure de la position finale) »).

9.4 Fonction didactique (mesure de la position finale)

La fonction didactique permet de déterminer et de lire automatiquement les positions finales de la vanne.

DANGER !

Risque de choc électrique.

- ▶ Avant de travailler sur l'installation ou l'appareil, couper la tension et empêcher toute remise sous tension par inadvertance.
- ▶ Respecter les réglementations en vigueur pour les appareils électriques en matière de prévention des accidents et de sécurité.

Conditions requises :

- Avant de pouvoir démarrer la fonction didactique,
- la tête de commande doit être montée sur l'actionneur,
 - l'alimentation électrique et
 - l'alimentation en air comprimé raccordées.

⁵⁾ Les couleurs indiquées se rapportent aux câbles de raccordement disponibles en tant qu'accessoires (919061)

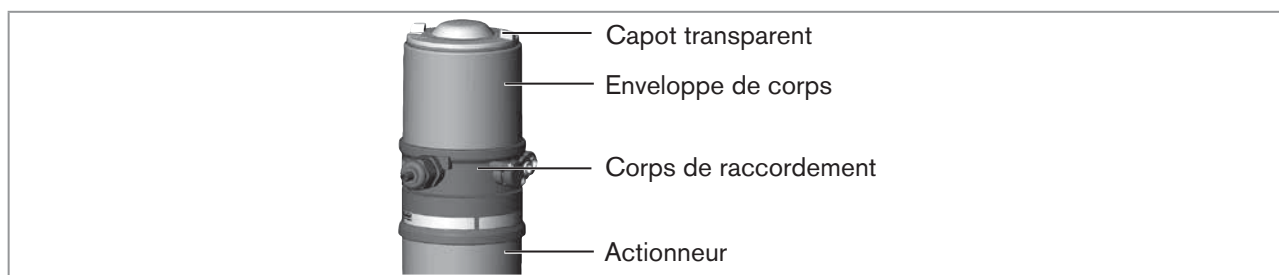
Procédure à suivre :

Figure 23 : Ouvrir tête de commande

REMARQUE !**Rupture des manchons pneumatiques due à la torsion.**

- ▶ Pour dévisser et visser le capot transparent, ne pas exercer de contrepression sur l'actionneur de vanne process mais sur le corps de raccordement.

- Ouvrir la tête de commande : Dévisser le capot transparent en tournant dans le sens contraire des aiguilles d'une montre.
- Maintenez le bouton d'actionnement de la fonction didactique enfoncé pendant environ 5 secondes.
- Uniquement pour les têtes de commande sans vanne pilote :
Lorsque la LED jaune de vanne pilote s'allume, déplacer l'actionneur en position finale supérieure.
Lorsque la LED jaune de vanne pilote s'éteint à nouveau, déplacer l'actionneur en position finale inférieure.

REMARQUE !**Dommage ou panne suite à la pénétration d'encrassement et d'humidité.**

Pour garantir le degré de protection IP65 / IP67 :

- ▶ Visser le capot transparent jusqu'en butée.

- Fermer le corps (outil de montage : 674077⁶⁾).

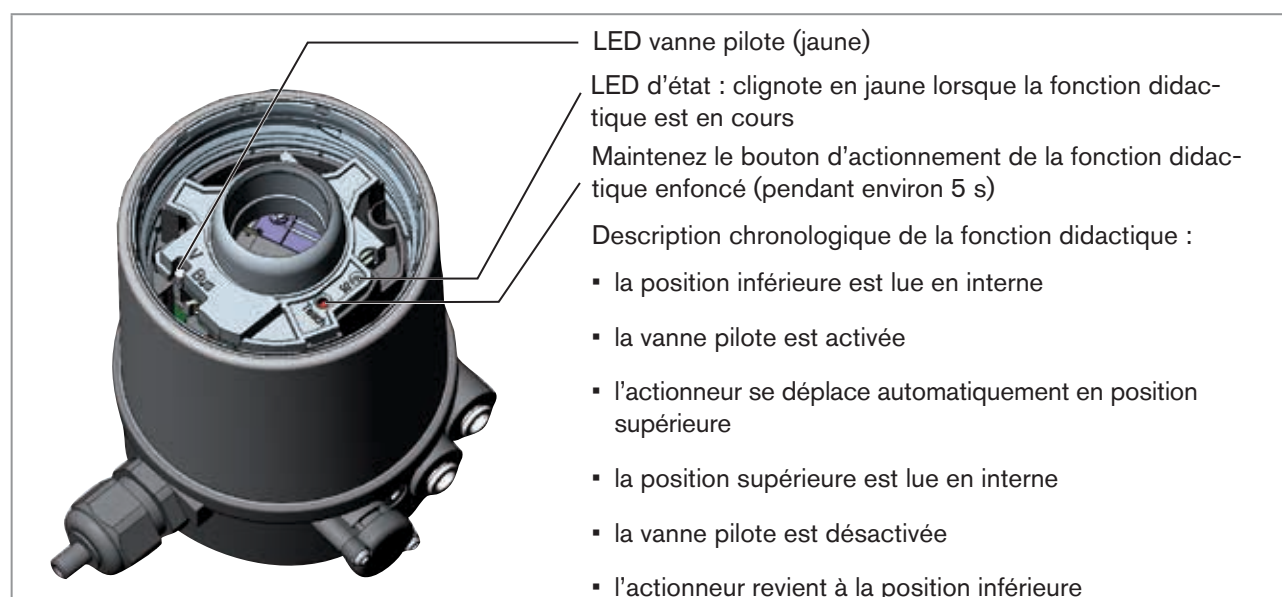


Figure 24 : Fonction didactique

⁶⁾ L'outil de montage (674077) est disponible auprès de votre filiale de distribution Bürkert.

9.5 Éléments d'affichage 24 V DC

9.5.1 Affichage d'état LED

L'affichage d'état LED (24 V DC) indique si la vanne pilote est commandée (la LED est allumée en jaune).

REMARQUE !

Rupture des manchons pneumatiques due à la torsion.

- Pour dévisser et visser le capot transparent, ne pas exercer de contrepression sur l'actionneur de vanne process mais sur le corps de raccordement.

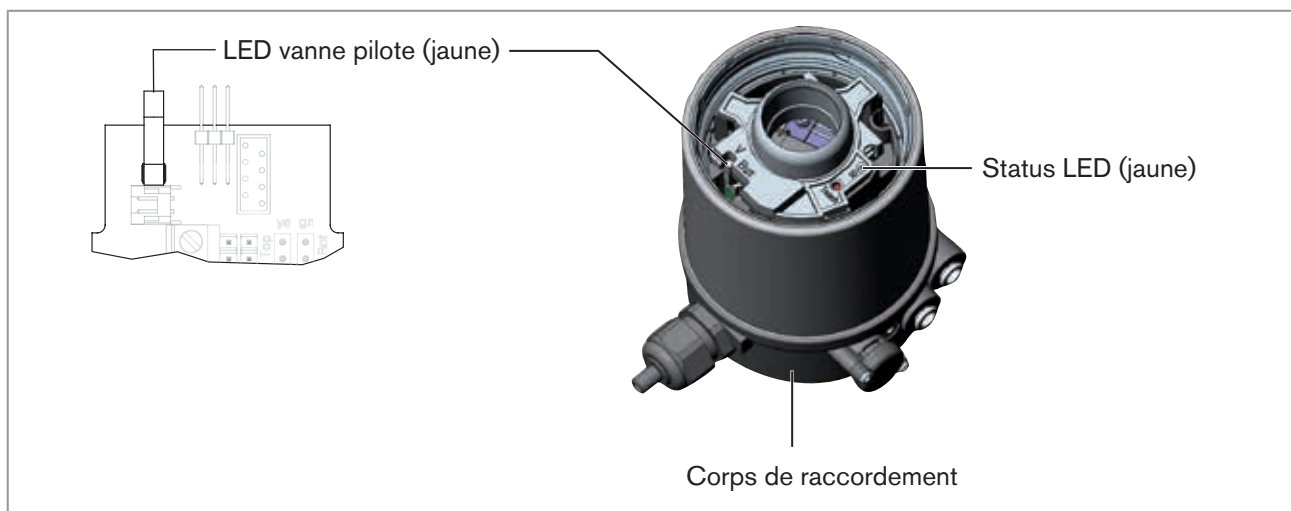


Figure 25 : Affichage d'état LED, Status LED

Status LED jaune

LED jaune	
clignote	Fonction didactique en marche
vacille	Rouleau presseur absent(e) → Installer le rouleau presseur

Tableau 4 : Status LED jaune - 24 V DC

REMARQUE !

Domage ou panne suite à la pénétration d'encrassement et d'humidité.

Pour garantir le degré de protection IP65 / IP67 :

- Visser le capot transparent jusqu'en butée.

9.5.2 Affichage d'état de l'appareil - l'affectation des Top LED

L'état de l'appareil est indiqué par des top LED (Top LED) de couleur sur la tête de commande (capot transparent).

REMARQUE !

Rupture des manchons pneumatiques due à la torsion.

- Pour dévisser et visser le capot transparent, ne pas exercer de contrepression sur l'actionneur de vanne process mais sur le corps de raccordement.



Figure 26 : Affichage d'état LED

En standard, les fonctions suivantes sont représentées :

Couleur	État de l'appareil
Top LED verte allumée	position finale inférieure
Top LED jaune allumée	position finale supérieure

Tableau 5 : Affectation des LED - 24 V DC

REMARQUE !

Domage ou panne suite à la pénétration d'encrassement et d'humidité.

Pour garantir le degré de protection IP65 / IP67 :

- Visser le capot transparent jusqu'en butée.

9.5.3 Modifier l'affectation des LED (l'état de l'appareil)

⚠ DANGER !

Risque de choc électrique.

- ▶ Avant de travailler sur l'installation ou l'appareil, couper la tension et empêcher toute remise sous tension par inadvertance.
- ▶ Respecter les réglementations en vigueur pour les appareils électriques en matière de prévention des accidents et de sécurité.

Procédure à suivre :

REMARQUE !

Rupture des manchons pneumatiques due à la torsion.

- ▶ Pour dévisser et visser l'enveloppe du corps, ne pas exercer de contrepression sur l'actionneur de vanne process mais sur le corps de raccordement.

→ Dévisser l'enveloppe de corps (acier inoxydable) dans le sens contraire des aiguilles d'une montre.

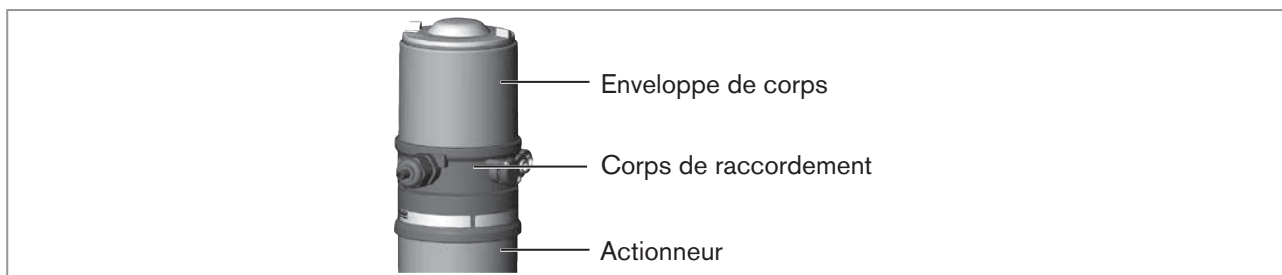


Figure 27 : Ouvrir tête de commande

→ Affecter la couleur souhaitée aux Top LED à l'aide des cavaliers.

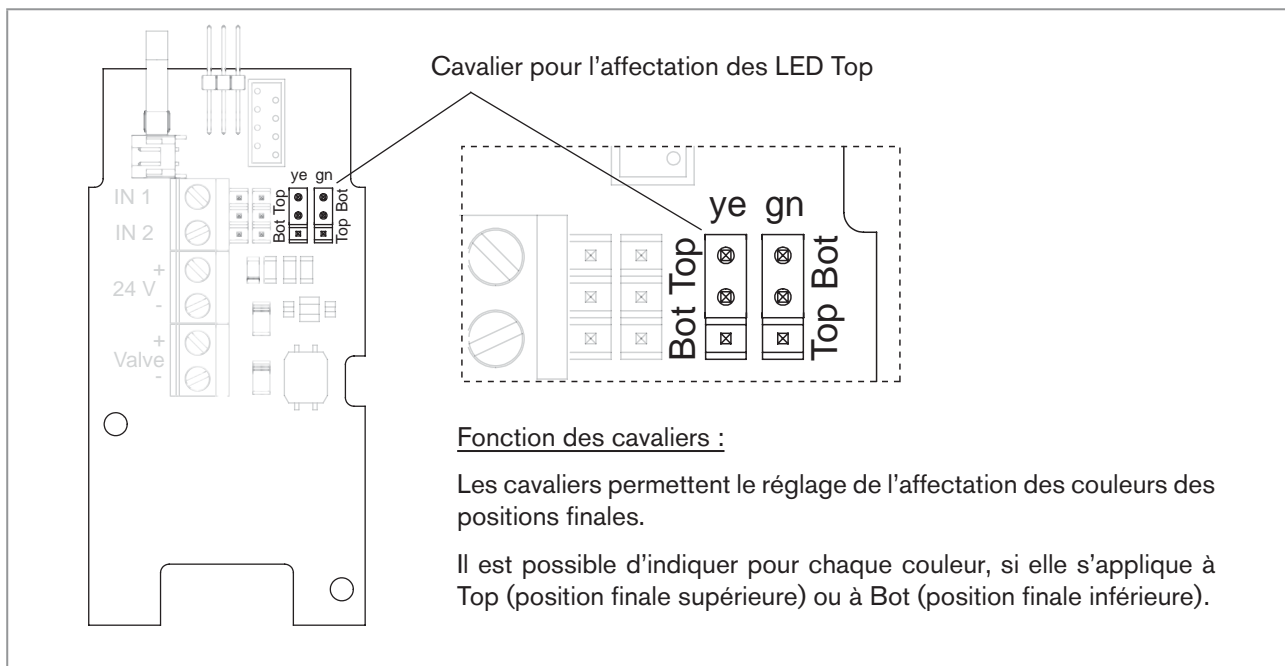


Figure 28 : Affectation des LED

→ Contrôler la position correcte du joint dans l'enveloppe du corps.

REMARQUE !

Rupture des manchons pneumatiques due à la torsion.

- ▶ Pour dévisser et visser l'enveloppe du corps, ne pas exercer de contrepression sur l'actionneur de vanne process mais sur le corps de raccordement.

Domage ou panne suite à la pénétration d'encrassement et d'humidité.

Pour garantir le degré de protection IP65 / IP67 :

- ▶ Visser l'enveloppe du corps jusqu'en butée.

→ Fermer le corps (outil de montage : 674077⁷⁾).

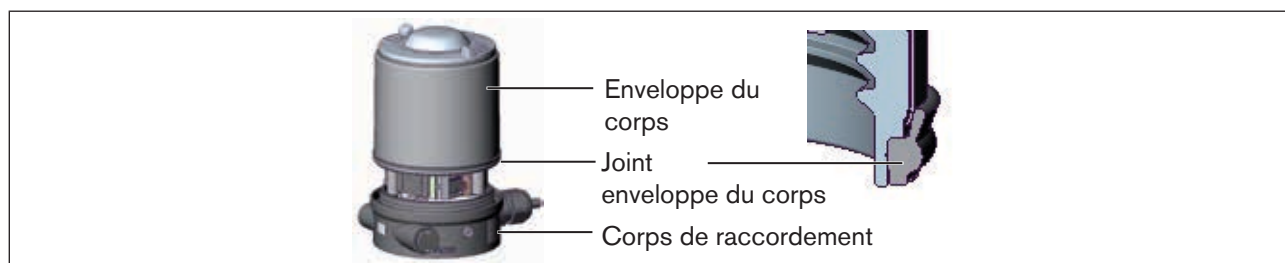


Figure 29 : Position du joint (enveloppe du corps)

⁷⁾ L'outil de montage (674077) est disponible auprès de votre filiale de distribution Bürkert.

10 INTERFACE AS INSTALLATION

10.1 Connexion interface AS

L'interface AS (Aktor-Sensor-Interface) est un système de bus de terrain servant principalement à la mise en réseau de capteurs et d'acteurs binaires (esclaves) avec une commande de niveau supérieur (maître).

Câble bus

Ligne à deux conducteurs non blindée (ligne interface AS comme câble de forme interface AS) permettant le transfert d'informations (données) mais aussi d'énergie (tension d'alimentation des acteurs et des capteurs).

Topologie réseau

En grande mesure libre de choix, c'est-à-dire que des réseaux en étoile, en arborescence et en ligne sont possibles. Autres détails description de la spécification de l'interface AS (versions esclave A/B conforme à la spécification version 3.0).

10.2 Caractéristiques techniques pour cartes interface AS

Alimentation : via l'interface AS (29,5 V ... 31,6 V)

Sorties : 1 vanne Y1, maxi 1 W, réduction de la puissance après env. 100 ms avec fonction chien de garde intégrée

Certification : numéro d'homologation 77601 selon version 3.0

10.3 Données de programmation

	AS-Interface 31 slaves	AS-Interface 62 slaves
Configuration E/S	B hex (1 sortie, 2 entrées)	
Code ID	F hex	A hex
Code ID plus étendu 1	F hex	7 hex
Code ID plus étendu 2	F hex	E hex
Profil	S-B.F.F	S-B.A.E

Tableau 6 : Données de programmation

Affectation de bits

Bit de données	D3	D2	D1	D0
Entrée	0 Top (haut) pas atteint 1 Haut atteint	0 Bot (bas) pas atteint 1 Bas atteint	–	–
Sortie	–	–	non affecté	0 vanne pilote OFF 1 vanne pilote ON
Bit paramètre	P3	P2	P1	P0
Sortie	non affecté	non affecté	non affecté	« 0 » START Fonction didactique « 1 » STOP Fonction didactique

Tableau 7 : Affectation de bits

10.4 Installation électrique interface AS

10.4.1 Consignes de sécurité



DANGER !

Risque de choc électrique.

- ▶ Avant de travailler sur l'installation ou l'appareil, couper la tension et empêcher toute remise sous tension par inadvertance.
- ▶ Respecter les réglementations en vigueur pour les appareils électriques en matière de prévention des accidents et de sécurité.



AVERTISSEMENT !

Risque de blessures dû à un montage non conforme.

- ▶ Le montage doit être effectué uniquement par un personnel qualifié et habilité disposant de l'outillage approprié.

Risque de blessures dû à la mise en marche involontaire de l'installation et le redémarrage non contrôlé.

- ▶ Empêchez tout actionnement involontaire de l'installation.
- ▶ Garantisiez un redémarrage contrôlé après le montage.

10.4.2 Raccordement avec connecteur rond M12 x 1, 4 pôles, mâle

Raccordement bus sans / avec tension d'alimentation externe

Broche	Désignation	Affectation
1	Bus +	Câble bus interface AS +
2	NC ou GND (en option)	non affecté ou tension d'alimentation externe -(en option)
3	Bus -	Câble bus interface AS -
4	NC ou 24 V + (en option)	non affecté ou tension d'alimentation externe +(en option)

Tableau 8 : Affectation du raccordement connecteur rond interface AS

Vues du connecteur : de devant sur les fiches, les raccords soudés sont à l'arrière

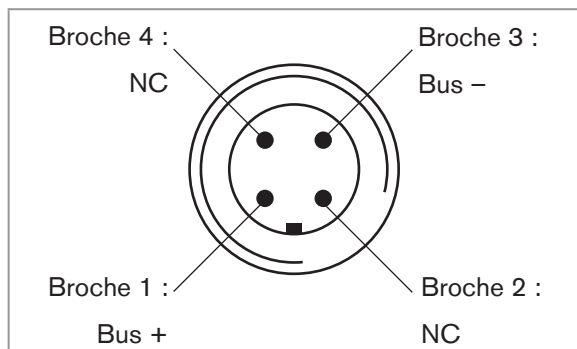


Figure 30 : Raccordement bus sans tension d'alimentation externe

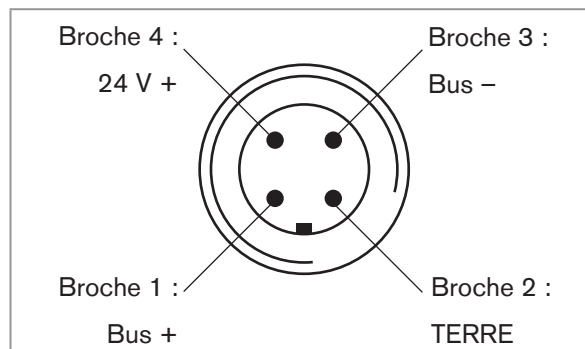


Figure 31 : Raccordement bus avec tension d'alimentation externe (en option)

La fonction didactique permet maintenant de déterminer et de lire automatiquement les positions finales de la vanne (description de la fonction didactique voir chapitre « 10.5 Fonction didactique (mesure de la position finale) »).

10.4.3 Raccordement avec câble multipolaire et borne à câble plat

La tête de commande avec câble multipolaire (connecteur rond M12) et borne à câble plat représente une alternative à la version de raccordement bus avec connecteur rond 4 pôles. Le raccordement du connecteur rond correspond à celui du raccordement bus connecteur rond M12 4 pôles (voir « [Figure 25](#) » et « [Figure 26](#) ») et peut être aisément raccordé à la borne à câble plat (voir « [Figure 32](#) »).



Figure 32 : Tête de commande 8691 avec câble multipolaire et borne à câble plat

Manipulation de la borne à câble plat

Le câble multipolaire dispose d'une borne à câble plat pourvue d'une sortie connecteur M12 pour le câble de forme de l'interface AS. La borne à câble plat réalise le contact du câble de forme de l'interface AS sous la forme de la technique de pénétration permettant l'installation par « clipsage » du câble de forme de l'interface AS sans couper ni dénuder.

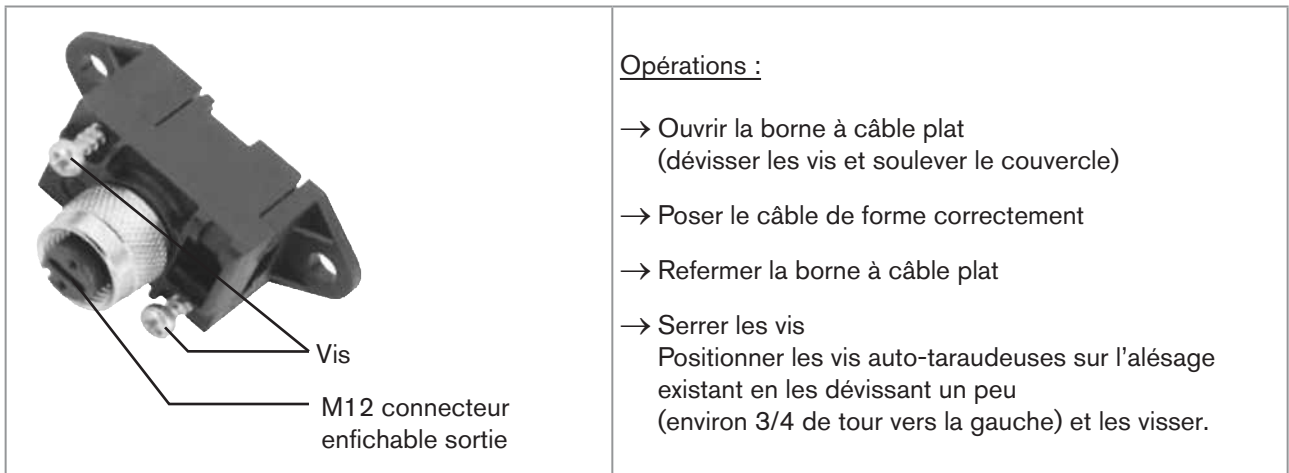


Figure 33 : Borne à câble plat

La fonction didactique permet maintenant de déterminer et de lire automatiquement les positions finales de la vanne (description de la fonction didactique voir chapitre « [10.5 Fonction didactique \(mesure de la position finale\)](#) »).

10.5 Fonction didactique (mesure de la position finale)

La fonction didactique permet de déterminer et de lire automatiquement les positions finales de la vanne.



Avec la variante bus interface AS, la fonction didactique peut être démarrée également avec le protocole bus.



DANGER !

Risque de choc électrique.

- ▶ Avant de travailler sur l'installation ou l'appareil, couper la tension et empêcher toute remise sous tension par inadvertance.
- ▶ Respecter les réglementations en vigueur pour les appareils électriques en matière de prévention des accidents et de sécurité.



Conditions requises :

- Avant de pouvoir démarrer la fonction didactique,
- la tête de commande doit être montée sur l'actionneur,
 - l'alimentation électrique,
 - l'alimentation en air comprimé raccordées et
 - la vanne pilote OFF (D0 = 0).

Procédure à suivre :

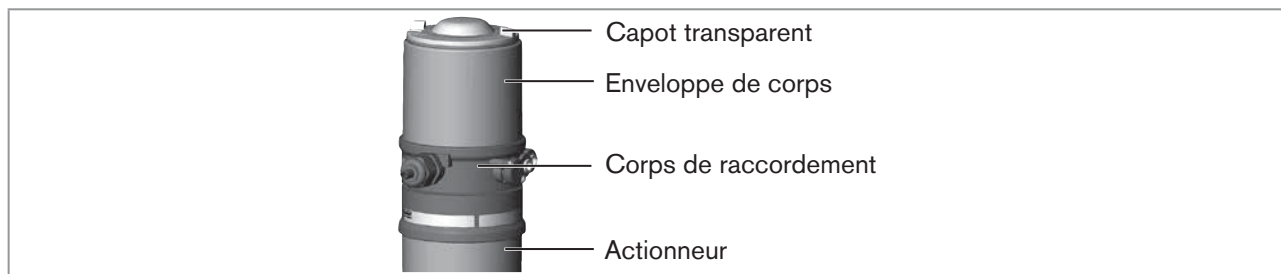


Figure 34 : Ouvrir tête de commande

REMARQUE !

Rupture des manchons pneumatiques due à la torsion.

- ▶ Pour dévisser et visser le capot transparent, ne pas exercer de contrepression sur l'actionneur de vanne process mais sur le corps de raccordement.

→ Ouvrir la tête de commande : Dévisser le capot transparent en tournant dans le sens contraire des aiguilles d'une montre.

→ Maintenez le bouton d'actionnement de la fonction didactique enfoncé pendant environ 5 secondes.

→ Uniquement pour les têtes de commande sans vanne pilote :

Lorsque la LED jaune de vanne pilote s'allume, déplacer l'actionneur en position finale supérieure.

Lorsque la LED jaune de vanne pilote s'éteint à nouveau, déplacer l'actionneur en position finale inférieure.

REMARQUE !

Domage ou panne suite à la pénétration d'encrassement et d'humidité.

Pour garantir le degré de protection IP65 / IP67 :

- ▶ Visser le capot transparent jusqu'en butée.

→ Fermer le corps (outil de montage : 674077⁸⁾).

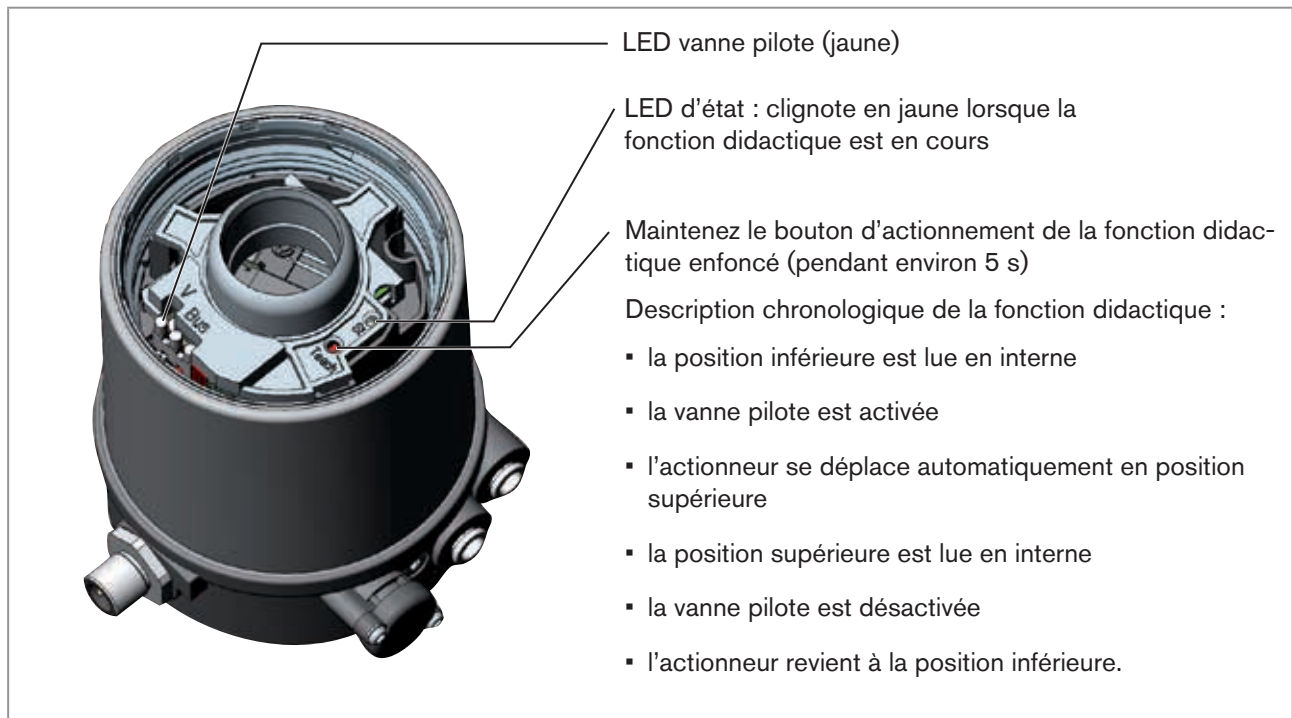


Figure 35 : Fonction didactique



Lorsque la fonction didactique est activée, la commande de l'actionneur via interface AS de communication n'est pas possible.

⁸⁾ L'outil de montage (674077) est disponible auprès de votre filiale de distribution Bürkert.

10.6 Éléments d'affichage interface AS

10.6.1 Affichage d'état LED

REMARQUE !

Rupture des manchons pneumatiques due à la torsion.

- Pour dévisser et visser le capot transparent, ne pas exercer de contrepression sur l'actionneur de vanne process mais sur le corps de raccordement.

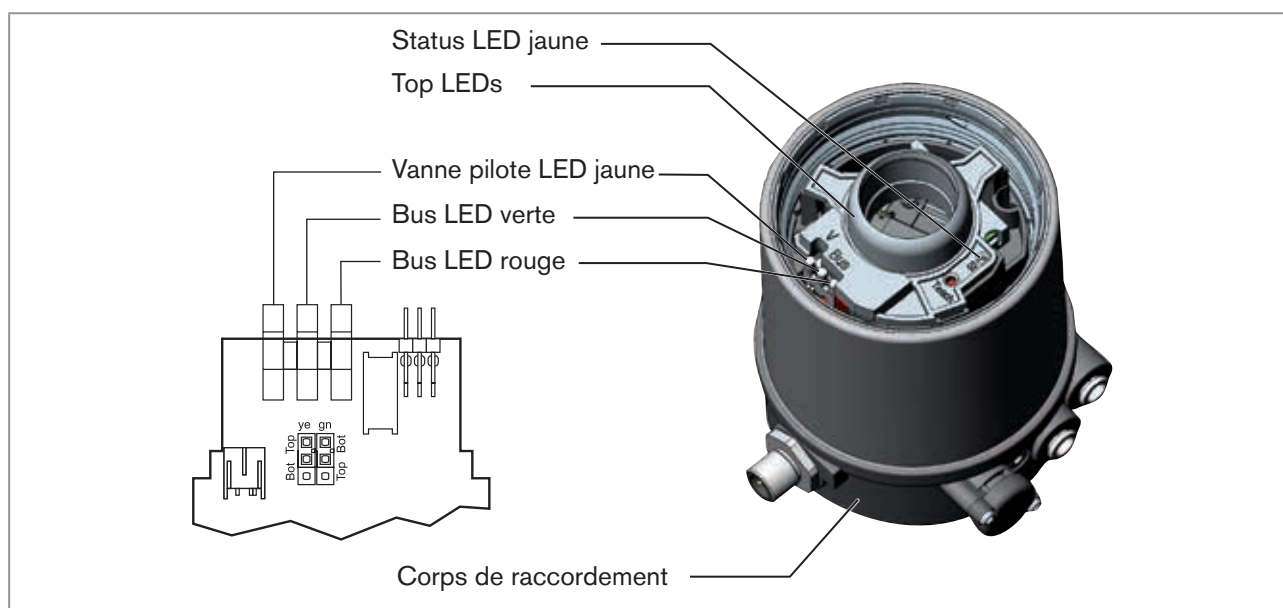


Figure 36 : Affichage d'état LED - Interface AS

Status LED jaune

LED jaune	
clignote	Fonction didactique en marche
vacille	Rouleau presseur absent(e) → Installer le rouleau presseur

Tableau 9 : Status LED jaune - Interface AS

Valve LED jaune

La LED jaune (vanne) indique si la vanne pilote est commandée (la LED est allumée en jaune).

Bus LED rouge et verte

Les LED rouge et verte (bus) indiquent l'état du bus :

LED verte	LED rouge	
éteinte	éteinte	POWER OFF
éteinte	allumée	aucune exploitation des données (chien de garde terminé avec adresse esclave différente de 0)
allumée	éteinte	OK
clignote	allumée	Adresse esclave égale à 0
éteinte	clignote	Surcharge de l'alimentation des capteurs ou une mise à niveau externe
clignote	clignote	Défaut de la fonction didactique (défaut périphérie)

Tableau 10 : Affichage d'état LED - L'état du bus

REMARQUE !

Dompage ou panne suite à la pénétration d'encrassement et d'humidité.

Pour garantir le degré de protection IP65 / IP67 :

- ▶ Visser le capot transparent jusqu'en butée.

10.6.2 L'état de l'appareil - l'affectation des LED

L'état de l'appareil est indiqué par des top LED (Top LED) de couleur sur la tête de commande (capot transparent).

En standard, les fonctions suivantes sont représentées :

Couleur	Etat de l'appareil
Top LED verte allumée	position finale inférieure
Top LED jaune allumée	position finale supérieure
Top LED rouge clignote en alternance avec les Top LED verte ou jaune	aucune exploitation des données ou défaut de la fonction didactique

Tableau 11 : Affectation des LED - Interface AS

10.6.3 Modifier l'affectation des LED (l'état de l'appareil)

DANGER !

Risque de choc électrique.

- ▶ Avant de travailler sur l'installation ou l'appareil, couper la tension et empêcher toute remise sous tension par inadvertance.
- ▶ Respecter les réglementations en vigueur pour les appareils électriques en matière de prévention des accidents et de sécurité.

Procédure à suivre :

REMARQUE !

Rupture des manchons pneumatiques due à la torsion.

- ▶ Pour dévisser et visser l'enveloppe du corps, ne pas exercer de contrepression sur l'actionneur de vanne process mais sur le corps de raccordement.

→ Dévisser l'enveloppe de corps (acier inoxydable) dans le sens contraire des aiguilles d'une montre.

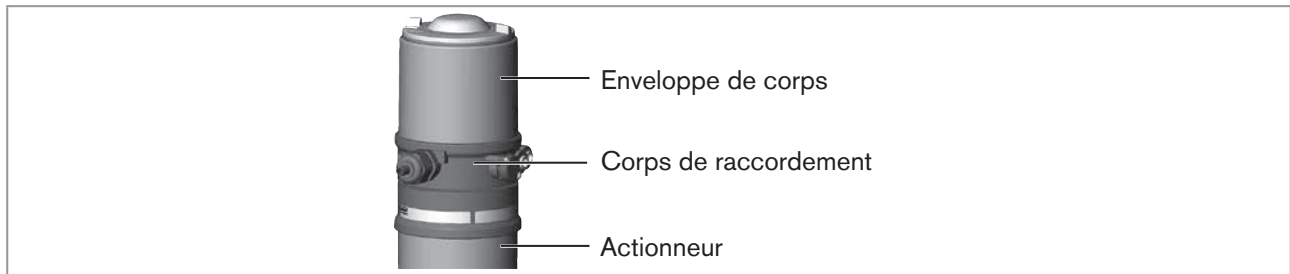


Figure 37 : Ouvrir tête de commande

→ Affecter la couleur souhaitée aux Top LED à l'aide des cavaliers (voir « Figure 38 »).

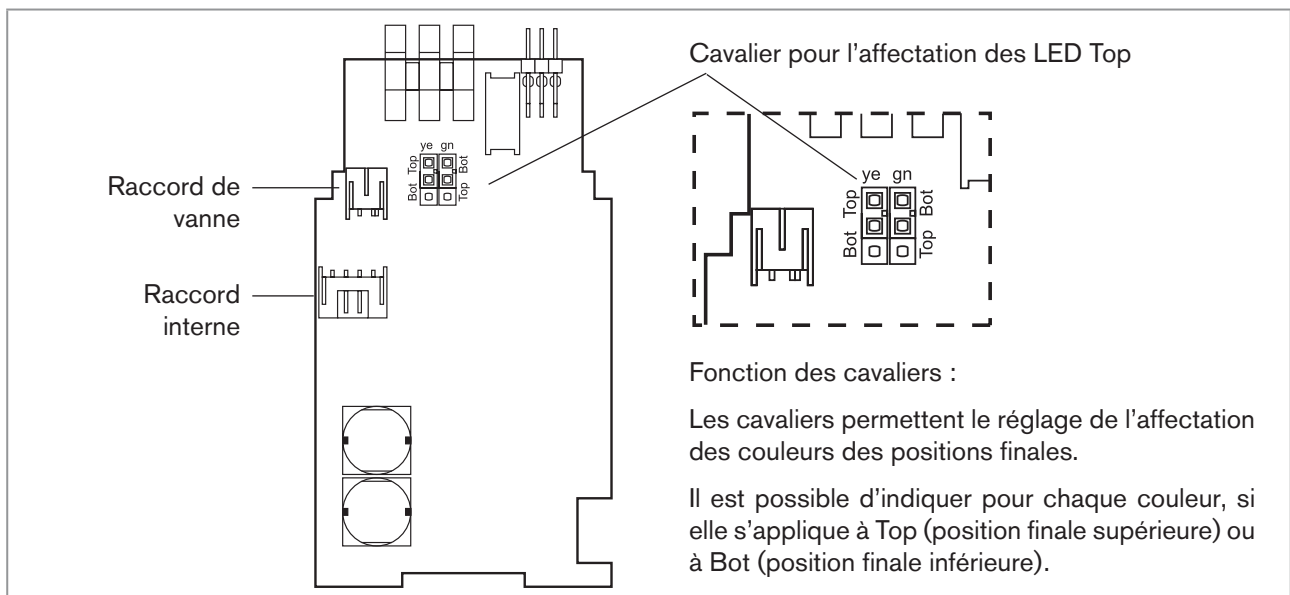


Figure 38 : Carte Interface AS

→ Contrôler la position correcte du joint dans l'enveloppe du corps.

REMARQUE !

Rupture des manchons pneumatiques due à la torsion.

- ▶ Pour dévisser et visser l'enveloppe du corps, ne pas exercer de contrepression sur l'actionneur de vanne process mais sur le corps de raccordement.

Domage ou panne suite à la pénétration d'encrassement et d'humidité.

Pour garantir le degré de protection IP65 / IP67 :

- ▶ Visser l'enveloppe du corps jusqu'en butée.

→ Fermer le corps (outil de montage : 674077⁹⁾).

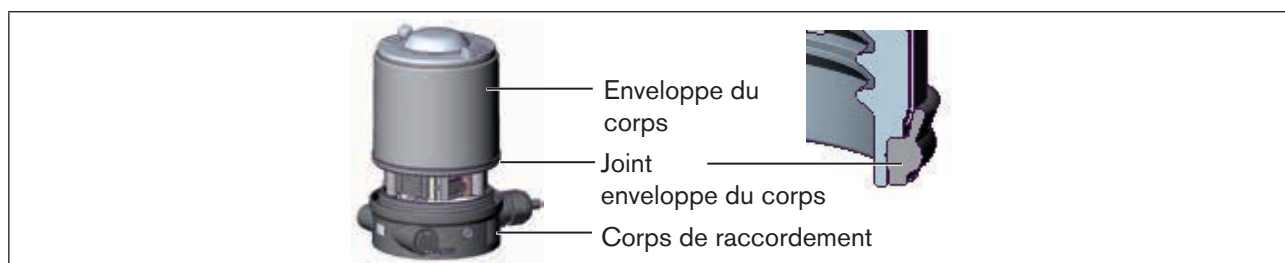


Figure 39 : Position du joint (enveloppe du corps)

⁹⁾ L'outil de montage (674077) est disponible auprès de votre filiale de distribution Bürkert.

11 DEVICENET


11.1 Terminologie

- Le DeviceNet est un système bus de terrain basé sur le protocole CAN (Controller Area Network). Il permet la mise en réseau d'acteurs et de capteurs (esclaves) avec des commandes de niveau supérieur (maîtres).
- Dans le DeviceNet, la tête de commande est un appareil esclave conformément au jeu de connexion prédéfini Maître / Esclave dans la spécification DeviceNet. Comme variantes de connexion E/S, une polled E/S, bit strobed E/S et change of state (COS) sont supportées.
- Avec DeviceNet, une distinction est faite entre les messages de process de haute priorité transmis par cycles ou commandés par les événements (messages E/S) et les messages de gestion acycliques de faible priorité (messages explicites).
- Le déroulement du protocole correspond à la spécification DeviceNet, version 2.0.

11.2 Caractéristiques techniques

Fichier EDS	BUE8691.EDS
Icônes	BUE8691.ICO
Vitesse de transmission	125 kBit/s, 250 kBit/s, 500 kBit/s (via interrupteur DIP) ; Réglage en usine : 125 kBit/s
Adresse :	0 ... 63 (via interrupteur DIP) ; Réglage en usine : 63
Données de process	1 ensemble d'entrée statique (entrée : de la tête de commande 8691 au maître DeviceNet/scanner) 1 ensemble de sortie statique

11.3 Longueurs de câbles maximales

 La longueur maximale totale des lignes (somme des lignes principales et des lignes de branchement) d'un réseau dépend de la vitesse de transmission.

11.3.1 Longueur totale des lignes selon spécification DeviceNet

Vitesse de transmission	Longueur maximale totale des câbles ¹⁰⁾	
	Gros câble (Thick Cable)	Câble fin (Thin Cable)
125 kBaud	500 m	100 m pour toutes les vitesses de transmission
250 kBaud	250 m	
500 kBaud	100 m	

Tableau 12 : Longueur totale des lignes

¹⁰⁾ Selon spécification DeviceNet.

Lorsqu'un autre type de câble est utilisé, des valeurs maximales plus faibles sont appliquées.

11.3.2 Longueur des lignes de branchement (Drop Lines)

Vitesse de transmission	Longueur des lignes de branchement (Drop Lines)	
	Longueur maximale	Longueur totale maximale dans le réseau
125 kBaud	6 m pour toutes les vitesses de transmission	156 m
250 kBaud		78 m
500 kBaud		39 m

Tableau 13 : Longueur des lignes de branchement

11.4 Réglage de sécurité en cas de panne bus

En cas de panne de bus, la vanne pilotage est mise sur une position de sécurité programmée (par défaut : vanne pilotage sans courant). Données de configuration, voir chapitre « 10.9. Configuration de la tête de commande ».

11.5 Interfaces



11.6 Raccordement électrique DeviceNet

Le câble bus est un câble à 4 fils avec blindage et devant satisfaire à la spécification DeviceNet. Le câble transporte des informations (données) mais également de l'énergie (alimentation en tension des acteurs et des capteurs à faible puissance).

11.6.1 Consignes de sécurité



DANGER !

Risque de choc électrique.

- ▶ Avant de travailler sur l'installation ou l'appareil, couper la tension et empêcher toute remise sous tension par inadvertance.
- ▶ Respecter les réglementations en vigueur pour les appareils électriques en matière de prévention des accidents et de sécurité.



AVERTISSEMENT !

Risque de blessures dû à un montage non conforme.

- ▶ Le montage doit être effectué uniquement par un personnel qualifié et habilité disposant de l'outillage approprié.

Risque de blessures dû à la mise en marche involontaire de l'installation et le redémarrage non contrôlé.

- ▶ Empêchez tout actionnement involontaire de l'installation.
- ▶ Garantisiez un redémarrage contrôlé après le montage.

11.6.2 Construction de la carte DeviceNet

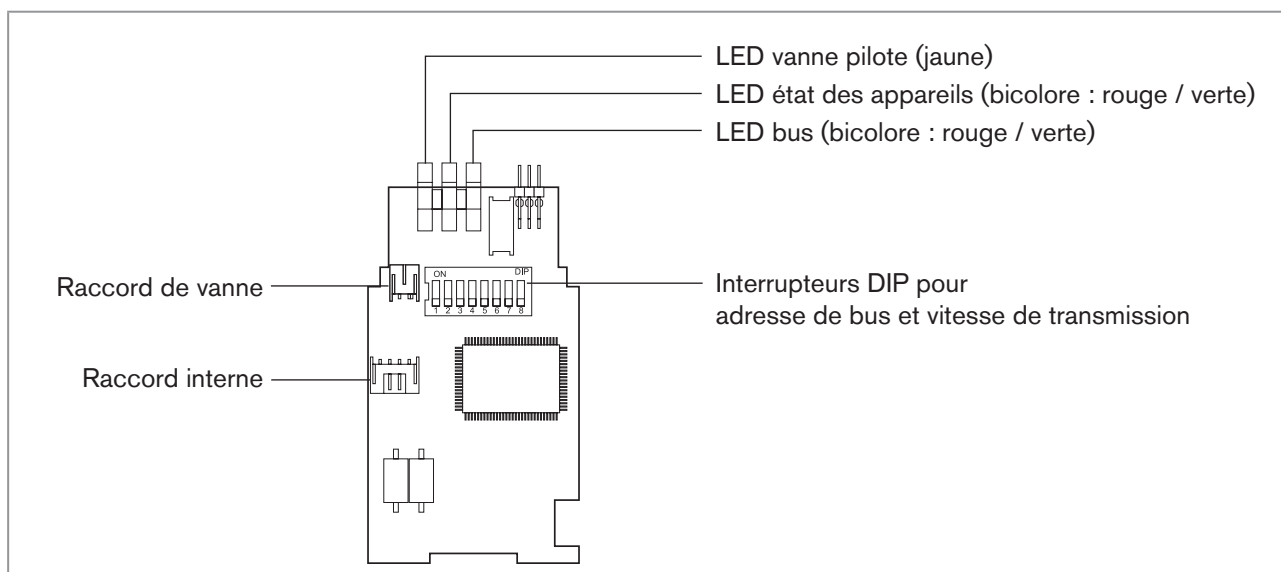


Figure 40 : Carte DeviceNet

11.6.3 Raccordement bus (connecteur rond M12 x 1, 5 pôles, mâle)

La tête de commande possède un connecteur rond 5 pôles de style micro.

L'affectation suivante correspond à la spécification DeviceNet.

Broche	1	2	3	4	5
Signal	Blindage	V +	V -	CAN_H	CAN_L

Tableau 14 : Affectation du connecteur rond DeviceNet

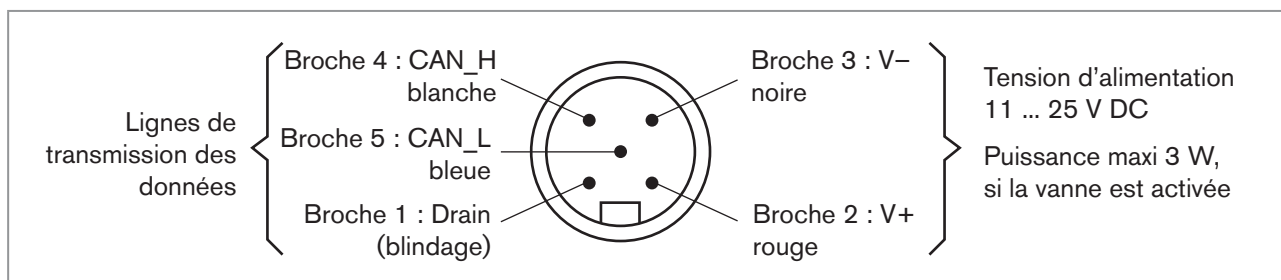


Figure 41 : Vue de devant sur les fiches, les raccords soudés sont à l'arrière

11.7 Câblage de terminaison pour systèmes DeviceNet

Lors de l'installation d'un système DeviceNet, il convient de veiller à ce que le câblage de terminaison des lignes de transmission des données soit correctement effectué.

Le câblage empêche les perturbations par réflexions de signaux sur les lignes de transmission des données.

La ligne principale doit par conséquent être terminée aux deux extrémités par des résistances de chacune 120 Ω et 1/4 W de puissance de perte (voir « Figure 42 : Topologie du réseau, DeviceNet »).

11.8 Topologie réseau d'un système DeviceNet

Ligne avec une ligne principale (Trunk Line) et plusieurs lignes de branchement (Drop Lines).

Le matériau des lignes principales et de branchement est le même (voir esquisse).

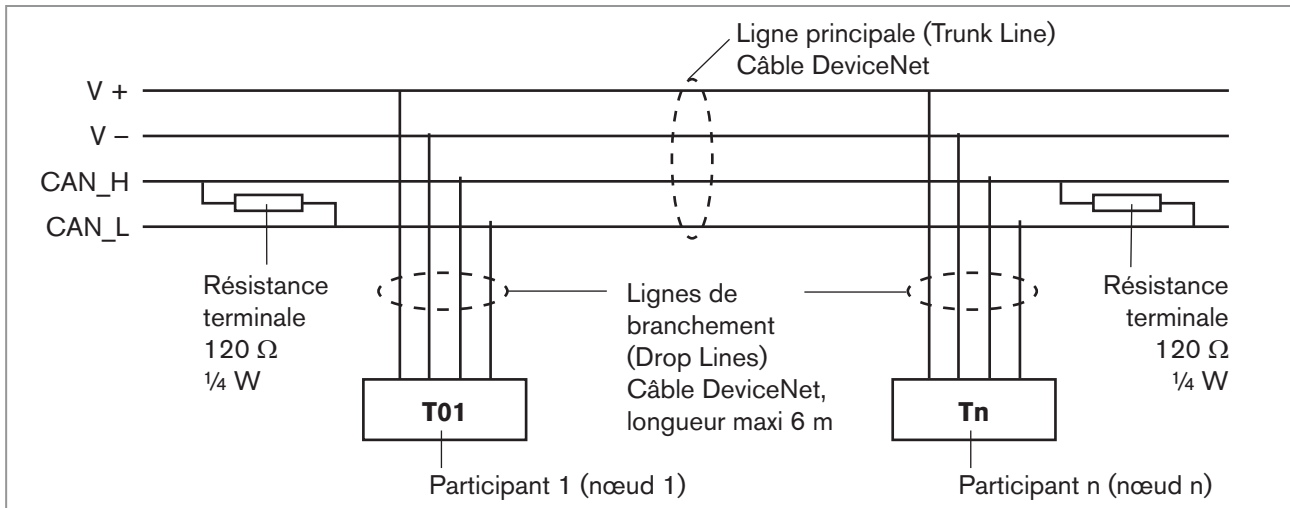


Figure 42 : Topologie du réseau, DeviceNet

11.9 Configuration de la tête de commande

11.9.1 Interrupteur DIP

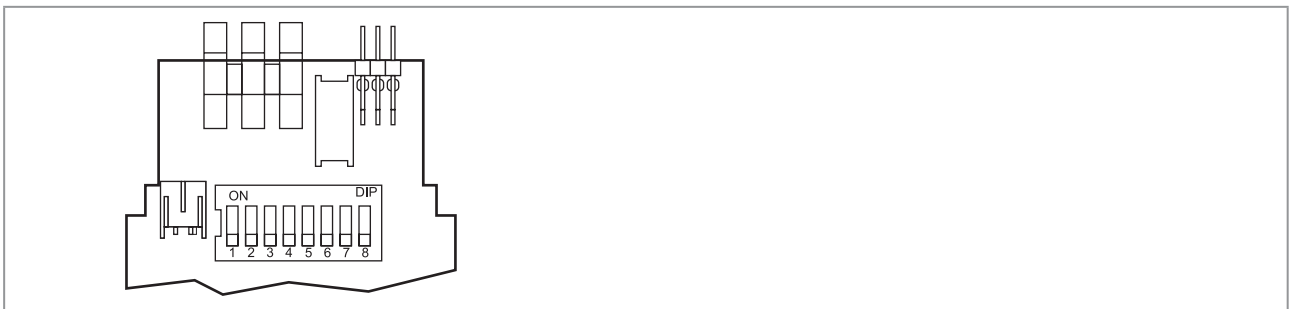


Figure 43 : Interrupteur DIP DeviceNet

8 interrupteurs DIP sont disponibles pour effectuer la configuration :

- Interrupteurs DIP 1 à 6 pour l'adresse DeviceNet
- Interrupteurs DIP 7 à 8 pour la vitesse de transmission

⚠ DANGER !

Risque de choc électrique.

- ▶ Avant de travailler sur l'installation ou l'appareil, couper la tension et empêcher toute remise sous tension par inadvertance.
- ▶ Respecter les réglementations en vigueur pour les appareils électriques en matière de prévention des accidents et de sécurité.

Procédure à suivre :

REMARQUE !

Rupture des manchons pneumatiques due à la torsion.

- ▶ Pour dévisser et visser l'enveloppe du corps, ne pas exercer de contrepression sur l'actionneur de vanne process mais sur le corps de raccordement.

→ Devisser l'enveloppe de corps (acier inoxydable) dans le sens contraire des aiguilles d'une montre.

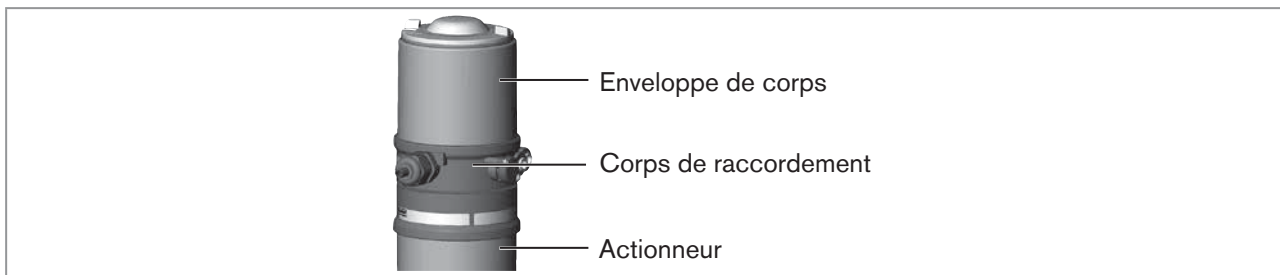


Figure 44 : Ouvrir tête de commande

→ Régler interrupteurs DIP conformément aux tableaux suivants.

Paramètres pour l'adresse DeviceNet

MAC ID - Medium Access Control Identifier :

[DIP 1=off=0 / DIP 1=on=1 / MAC ID=DIP 1*2⁰+DIP 2*2¹+...+DIP 6*2⁵]

DIP 1 [20=1]	DIP 2 [21=2]	DIP 3 [22=4]	DIP 4 [23=8]	DIP 5 [24=16]	DIP 6 [25=32]	MAC ID
off	off	off	off	off	off	0
on	off	off	off	off	off	1
off	on	off	off	off	off	2
...
off	on	on	on	on	on	62
on	on	on	on	on	on	63

Tableau 15 : Paramètres pour l'adresse DeviceNet

Réglage de la vitesse de transmission

Adaptation de la tête de commande à la vitesse de transmission du réseau.

DIP 7	DIP 8	Vitesse de transmission
off	off	125 kBaud
on	off	250 kBaud
off	on	500 kBaud
on	on	non autorisé

Tableau 16 : Réglage de la vitesse de transmission

→ Contrôler la position correcte du joint dans l'enveloppe du corps.

REMARQUE !

Rupture des manchons pneumatiques due à la torsion.

- ▶ Pour dévisser et visser l'enveloppe du corps, ne pas exercer de contrepression sur l'actionneur de vanne process mais sur le corps de raccordement.

Domage ou panne suite à la pénétration d'encrassement et d'humidité.

Pour garantir le degré de protection IP65 / IP67 :

- ▶ Visser l'enveloppe du corps jusqu'en butée.

→ Fermer le corps (outil de montage : 674077¹¹⁾).

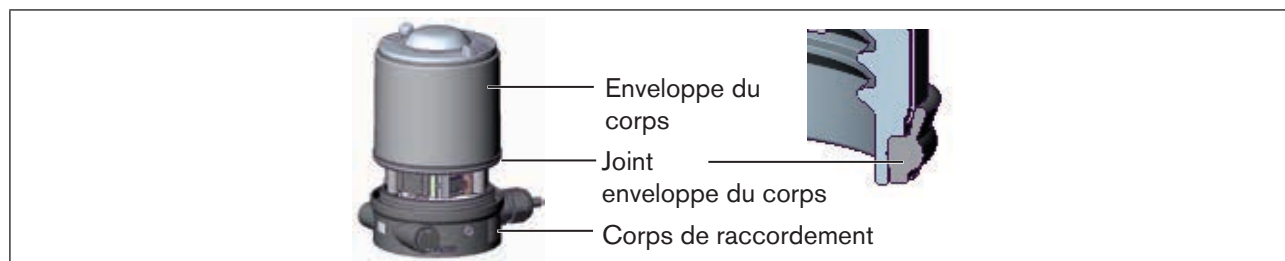


Figure 45 : Position du joint (enveloppe du corps)



Notez :

une modification des réglages par actionnement des interrupteurs DIP ne devient effective qu'après redémarrage de l'appareil.

Pour un redémarrage

- débrancher la tête de commande brièvement de la borne et la rebrancher, ou
- activer / désactiver l'alimentation réseau ou
- envoyer un message de reset approprié.

¹¹⁾ L'outil de montage (674077) est disponible auprès de votre filiale de distribution Bürkert.

11.11 Configuration de la position de sécurité des vannes magnétiques en cas de défaut bus

En présence de défaut bus, la LED d'état bus peut clignoter en « vert », clignoter en « rouge » ou être en « rouge ».

(Description, voir « État de la LED d'état bus », page 180)

Les attributs position de sécurité de vanne et module de sécurité peuvent être utilisés pour la configuration de la vanne magnétique en cas de défaut de bus.

L'accès aux données de configuration des vannes magnétiques en cas de défaut de bus peut être acyclique par messages explicites.

- Le service *Get_Attribute_Single* correspond à l'accès en lecture aux données de configuration.
- Le service *Set_Attribute_Single* correspond à l'accès en écriture aux données de configuration.

1 databyte pour le mode sécurité :
(adresse attribut : classe 150, instance 1, attribut 7)

Bit	Mode	Affectation des valeurs
Bit 0	Comportement en cas de défaut de bus	0 Editer la position de sécurité 1 Conserver la dernière position de vanne
Bit 1...7	non utilisé	0 toujours

Tableau 19 : Databyte pour le mode sécurité

1 databyte pour la position de sécurité de vanne :
(adresse attribut : classe 150, instance 1, attribut 6)

Bit	Vanne pilote	Affectation des valeurs
Bit 0	Y1 (Vanne pilote 1)	0 Vanne pilote 1 OFF 1 Vanne pilote 1 ON
Bit 1...	non utilisé	0 toujours
Bit 7		

Tableau 20 : Databyte pour la position de sécurité de vanne

11.12 Fonction didactique (mesure de la position finale)

La fonction didactique permet de déterminer et de lire automatiquement les positions finales de la vanne.

! Avec la variante bus DeviceNet, la fonction didactique peut être démarrée également avec le protocole bus ainsi que le logiciel de communication (voir « 11.12.1 Démarrage de la fonction didactique »).

DANGER !

Risque de choc électrique.

- ▶ Avant de travailler sur l'installation ou l'appareil, couper la tension et empêcher toute remise sous tension par inadvertance.
- ▶ Respecter les réglementations en vigueur pour les appareils électriques en matière de prévention des accidents et de sécurité.

Conditions requises :

- Avant de pouvoir démarrer la fonction didactique,
- la tête de commande doit être montée sur l'actionneur,
 - l'alimentation électrique,
 - l'alimentation en air comprimé raccordées et
 - il convient d'établir la liaison avec le maître.

Procédure à suivre :

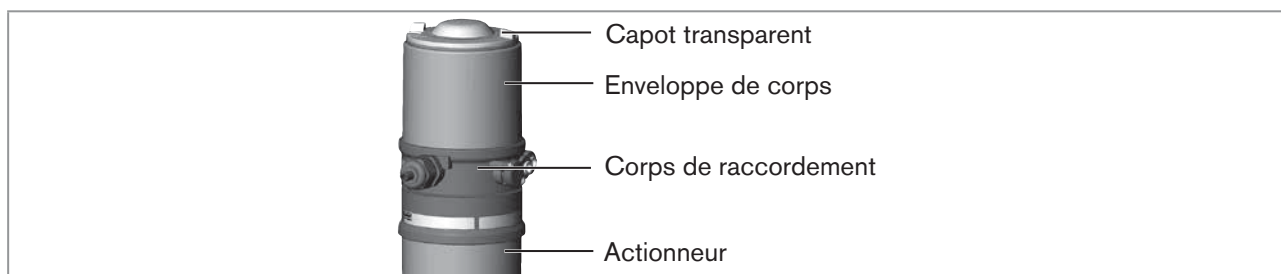


Figure 46 : Ouvrir tête de commande

REMARQUE !

Rupture des manchons pneumatiques due à la torsion.

- ▶ Pour dévisser et visser le capot transparent, ne pas exercer de contrepression sur l'actionneur de vanne process mais sur le corps de raccordement.

→ Ouvrir la tête de commande : Dévisser le capot transparent en tournant dans le sens contraire des aiguilles d'une montre.

→ Maintenez le bouton d'actionnement de la fonction didactique enfoncé pendant environ 5 secondes.

→ Uniquement pour les têtes de commande sans vanne pilote :

Lorsque la LED jaune de vanne pilote s'allume, déplacer l'actionneur en position finale supérieure.

Lorsque la LED jaune de vanne pilote s'éteint à nouveau, déplacer l'actionneur en position finale inférieure.

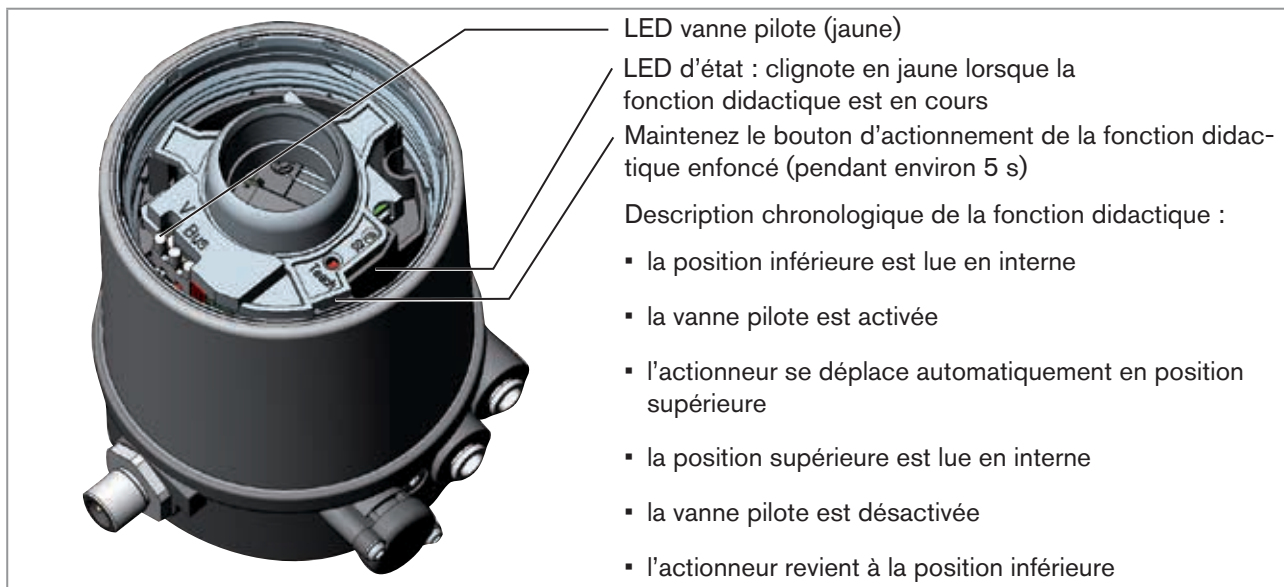


Figure 47 : Fonction didactique

REMARQUE !

Domage ou panne suite à la pénétration d'encrassement et d'humidité.

Pour garantir le degré de protection IP65 / IP67 :

- ▶ Visser le capot transparent jusqu'en butée.

→ Fermer le corps (outil de montage : 674077¹²⁾).



Lorsque la fonction didactique est activée, la commande de l'actionneur via DeviceNet de communication n'est pas possible.

¹²⁾ L'outil de montage (674077) est disponible auprès de votre filiale de distribution Bürkert.

11.12.1 Démarrage de la fonction didactique

La fonction didactique peut être démarrée et lue au moyen de l'attribut « Fonction didactique ».

La lecture permet à l'utilisateur d'obtenir 2 informations :

- tout d'abord, il est informé de la fin de la fonction didactique.
- au terme de cette fonction, il est possible de lire le résultat de la fonction.

L'accès se fait de manière acyclique par messages explicites avec les services *Set_Attribute_Single* (schreiber Zugriff) et *Get_Attribute_Single* (accès lecture).

1 databyte pour la fonction didactique :
(adresse attribut : classe 150, instance 1, attribut 8)

Set_Attribute_Single :

Bit	Mode	Affectation des valeurs
Bit 0	Fonction didactique	0 Démarrer la fonction didactique
Bit 1	non utilisé	– (seul l'accès lecture est autorisé)
Bit 2...7	non utilisé	0 toujours

Tableau 21 : *Set_Attribute_Single*

Get_Attribute_Single :

Bit	Mode	Affectation des valeurs
Bit 0	Fonction didactique	0 Fonction didactique en cours 1 Fonction didactique terminée
Bit 1	Résultat fonction didactique (disponible au terme de la fonction didactique)	0 Fonction didactique terminée avec succès 1 Fonction didactique défectueuse
Bit 2...7	non utilisé	0 toujours

Tableau 22 : *Get_Attribute_Single*

11.13 Éléments d'affichage DeviceNet

11.13.1 Affichage d'état LED

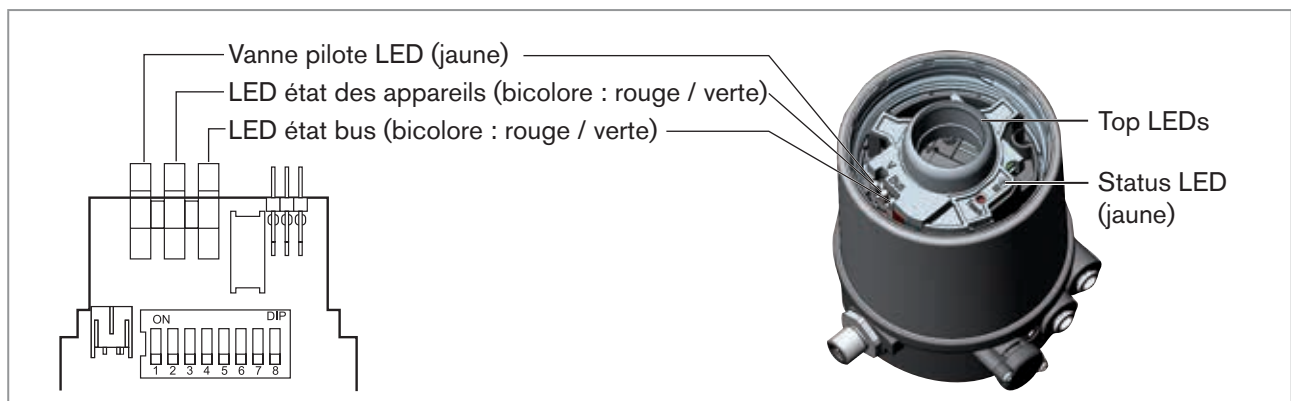


Figure 48 : Affichage LED, DeviceNet

11.13.2 Test de fonctionnement des LED d'état

Après application de la tension (raccordement de la ligne réseau), le test de fonctionnement suivant est effectué pour la LED d'état d'appareil bicolore et la LED d'état de bus :

- la LED est allumée brièvement en vert (env. 1/4 s)
- la LED est allumée brièvement en rouge (env. 1/4 s)
- LED éteinte

Ensuite, un autre test de fonctionnement est effectué pendant lequel les LED s'allument brièvement

A la fin du test, les LED d'état affichent les états des appareils décrits dans le tableau suivant.

État de la LED d'état bus

LED	État de l'appareil	Explication	Élimination du problème
Éteinte	Pas de tension / pas en ligne	<ul style="list-style-type: none"> ▪ L'appareil n'est pas alimenté en tension ▪ L'appareil n'a pas encore terminé le test Duplicate MAC ID (le test dure env. 2 s). ▪ L'appareil ne peut terminer le test Duplicate MAC ID. 	<ul style="list-style-type: none"> ▪ Raccorder d'autres appareils, si l'appareil est le seul participant au réseau. ▪ Remplacer l'appareil ▪ Contrôler la vitesse de transmission ▪ Contrôler la liaison bus
Verte	En ligne, la liaison avec le maître existe	<ul style="list-style-type: none"> ▪ État de fonctionnement normal avec liaison établie avec le maître 	
Verte, clignote	En ligne, sans liaison avec le maître	<ul style="list-style-type: none"> ▪ État de fonctionnement normal sans liaison établie avec le maître 	
Rouge, clignote	Délai d'attente de liaison	<ul style="list-style-type: none"> ▪ Une ou plusieurs liaisons E/S sont à l'état de délai d'attente 	<ul style="list-style-type: none"> ▪ Nouvel établissement de liaison par le maître pour s'assurer de la transmission cyclique des données E/S.
Rouge	Défaut critique	<ul style="list-style-type: none"> ▪ Un autre appareil avec la même adresse MAC ID se trouve dans le circuit ▪ La liaison bus fait défaut suite à des problèmes de communication 	<ul style="list-style-type: none"> ▪ Contrôler la vitesse de transmission ▪ Remplacer l'appareil si nécessaire

Tableau 23 : État de la LED d'état bus

État de la LED d'état des appareils

LED	État de l'appareil	Explication
Éteinte	Aucune alimentation	<ul style="list-style-type: none"> ▪ L'appareil n'est pas alimenté en tension
Verte	L'appareil fonctionne	<ul style="list-style-type: none"> ▪ État de fonctionnement normal

Tableau 24 : État de la LED d'état des appareils

État de la vanne pilote LED

LED	Explication
Éteinte	▪ Vanne pilote non est commandée
Jaune	▪ Vanne pilote est commandée

Tableau 25 : État de la vanne pilote LED

REMARQUE !

Domage ou panne suite à la pénétration d'encrassement et d'humidité.

Pour garantir le degré de protection IP65 / IP67 :

- ▶ Visser le capot transparent jusqu'en butée.

11.13.3 L'état de l'appareil - l'affectation des LED

L'état de l'appareil est indiqué par des top LED (Top LED) de couleur sur la tête de commande (capot transparent). L'affectation des top LED vertes et jaunes à la position finale peut être modifiée à l'aide de Explicit Messages (adresse attribut : classe 150, instance 1, attribut 9) ou à l'aide de logiciel de communication.

En standard, les fonctions suivantes sont représentées :

Couleur	État de l'appareil
Top LED verte allumée	position finale inférieure
Top LED jaune allumée	position finale supérieure
Top LED rouge clignote en alternance avec les Top LED verte ou jaune	<ul style="list-style-type: none"> ▪ en ligne, sans liaison avec le maître ▪ délai d'attente de liaison ▪ défaut critique

Tableau 26 : Affectation des LED - DeviceNet

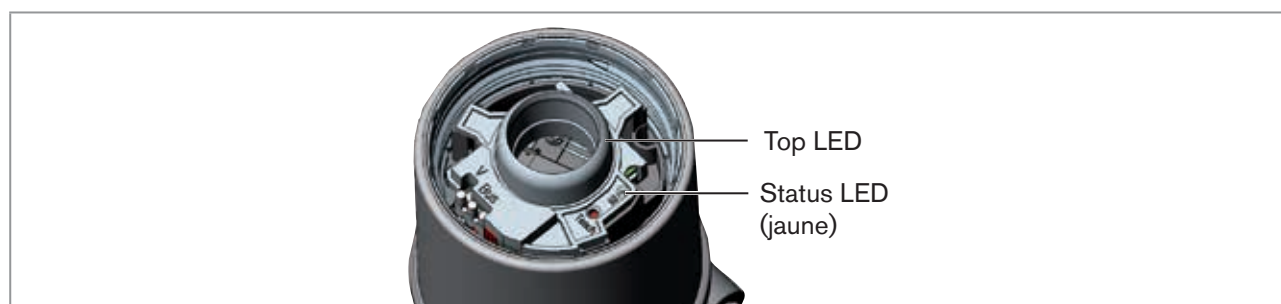


Figure 49 : Top LED et status LED - DeviceNet

REMARQUE !

Domage ou panne suite à la pénétration d'encrassement et d'humidité.

Pour garantir le degré de protection IP65 / IP67 :

- ▶ Visser le capot transparent jusqu'en butée.

11.13.4 Status LED jaune

LED jaune	
clignote	Fonction didactique en marche
vacille	Rouleau presseur absent(e) → Installer le rouleau presseur

Tableau 27 : Status LED jaune - DeviceNet

REMARQUE !

Domage ou panne suite à la pénétration d'encrassement et d'humidité.

Pour garantir le degré de protection IP65 / IP67 :

- ▶ Visser le capot transparent jusqu'en butée.

12 POSITIONS DE SÉCURITÉ

Positions de sécurité après une panne d'énergie auxiliaire électrique ou pneumatique :

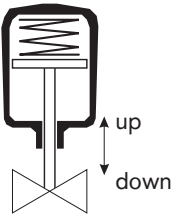
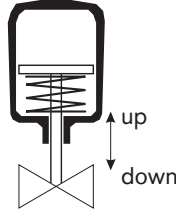
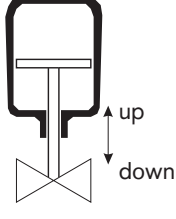
Mode de fonctionnement	Désignation	Positions de sécurité après une panne de l'énergie auxiliaire	
		électrique	pneumatique
	simple effet Fonction A	down	down
	simple effet Fonction B	up	up
	double effet Fonction I	down	non définie

Tableau 28 : Positions de sécurité

13 MAINTENANCE

13.1 Service sur le filtre d'amenée d'air

DANGER !

Risque de blessures dû à la présence de haute pression dans l'installation/l'appareil.

- ▶ Avant de travailler sur l'installation ou l'appareil, il convient de couper la pression et de purger des conduites/ de les vider.

L'air de la pression d'alimentation est filtré afin de protéger les vannes pilotes internes et l'actionneur.

Le sens de débit du filtre d'amenée d'air à l'état monté est de l'intérieur vers l'extérieur à travers la gaze métallique.

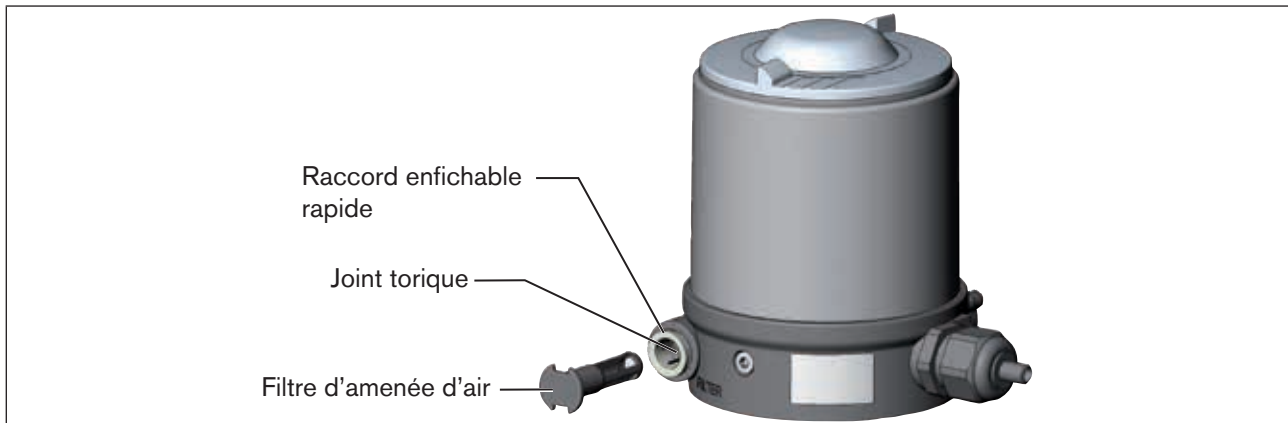


Figure 50 : Service sur le filtre d'amenée d'air

Procédure à suivre :

- Déverrouiller le raccord enfichable rapide en enfonçant la pièce de maintien et retirer le filtre d'amenée d'air (éventuellement à l'aide d'un outil approprié entre les évidements dans la tête du filtre).
- Nettoyer le filtre ou le remplacer si nécessaire.
- Contrôler le joint torique interne et le nettoyer si nécessaire.
- Placer le filtre d'amenée d'air dans le raccord enfichable rapide jusqu'en butée.

DANGER !

Risque de blessures dû à un montage non conforme.

- ▶ Veillez au montage correct du filtre d'amenée d'air.

- Contrôler la bonne assise du filtre d'amenée d'air.

14 DÉMONTAGE

14.1 Consignes de sécurité

DANGER !

Risque de blessures dû à la présence de haute pression dans l'installation/l'appareil.

- ▶ Avant de travailler sur l'installation ou l'appareil, il convient de couper la pression et de purger des conduites/ de les vider.

Risque de choc électrique.

- ▶ Avant de travailler sur l'installation ou l'appareil, couper la tension et empêcher toute remise sous tension par inadvertance.
- ▶ Respecter les réglementations en vigueur pour les appareils électriques en matière de prévention des accidents et de sécurité.

AVERTISSEMENT !

Risque de blessures dû à un démontage non conforme.

- ▶ Le démontage doit être effectué uniquement par un personnel qualifié et habilité disposant de l'outillage approprié.

Risque de blessures dû à la mise en marche involontaire de l'installation et le redémarrage non contrôlé.

- ▶ Empêchez tout actionnement involontaire de l'installation.
- ▶ Garantissez un redémarrage contrôlé après le démontage.

14.2 Démontage de la tête de commande

Procédure à suivre :

1. Raccordement pneumatique

DANGER !

Risque de blessures dû à la présence de haute pression dans l'installation/l'appareil.

- ▶ Avant de travailler sur l'installation ou l'appareil, il convient de couper la pression et de purger des conduites/ de les vider.

→ Desserrer le raccord pneumatique.

→ Séries 20xx :

Desserrer le raccord pneumatique entre l'unité de commande pneumatique et l'actionneur.

2. Raccordement électrique



DANGER !

Risque de choc électrique.

- ▶ Avant de travailler sur l'installation ou l'appareil, couper la tension et empêcher toute remise sous tension par inadvertance.
- ▶ Respecter les réglementations en vigueur pour les appareils électriques en matière de prévention des accidents et de sécurité.

Connecteur rond :

→ Desserrer le connecteur rond.

Presse-étoupe :

→ Ouvrir la tête de commande tout en dévissant le couvercle transparent en tournant vers la gauche.

→ Desserrer les bornes vissées et enlever les câbles.

→ Fermer la tête de commande.

3. Raccordement mécanique

→ Desserrer le vis de fixation.

→ Enlever la tête de commande vers le haut.

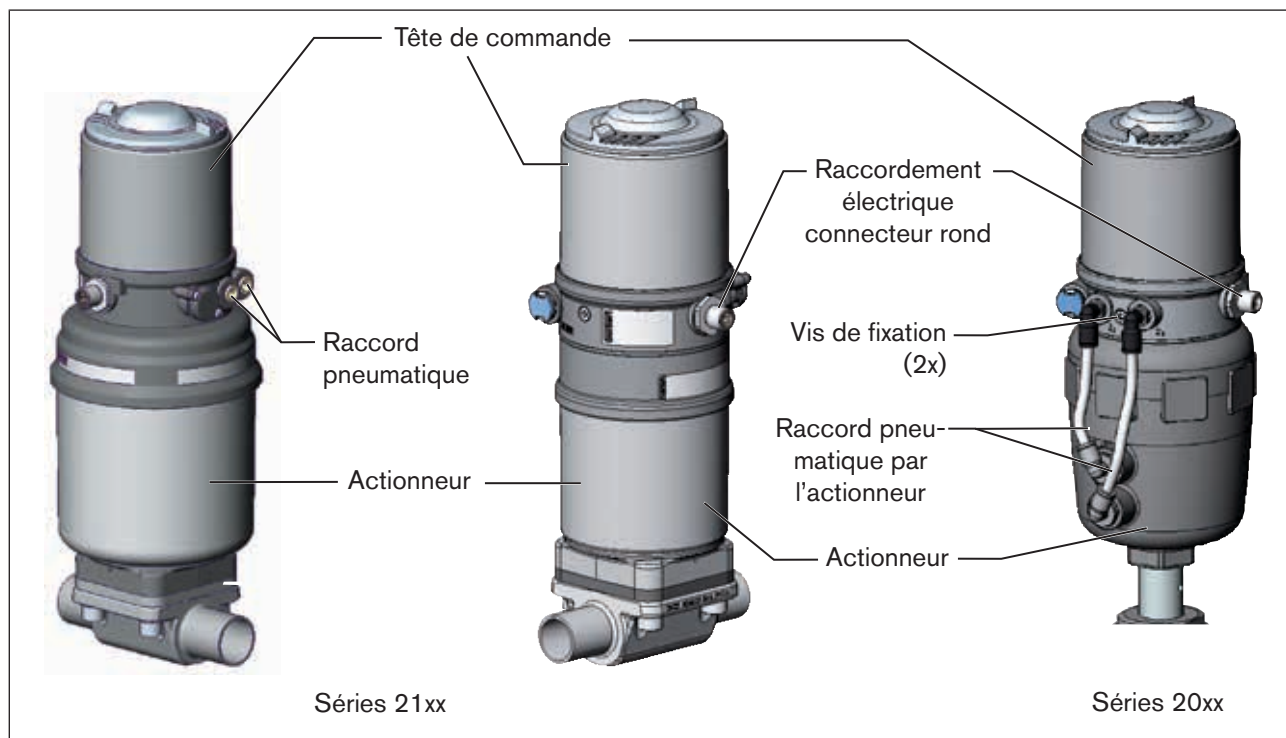


Figure 51 : Démontage la tête de commande

15 ACCESSOIRES

Désignation	N° de commande
Câble de raccordement M12 x1, 8 pôles	919061
Clé spéciale	665702
Outil de montage	674077
Adaptateur USB pour le raccordement d'un PC en liaison avec un câble de rallonge	227093
Communicator	Infos sous www.buerkert.fr

Tableau 29 : Accessoires

15.1 Logiciel de communication

Le programme de commande PC « Communicator » est conçu pour la communication avec les appareils type 8691 via commande bus DeviceNet. Les appareils construits à partir de Avril 2014 supportent l'ensemble des fonctions. Veuillez contacter le Bürkert Sales Center pour toutes questions concernant la compatibilité.



Vous trouverez une description détaillée et une liste précise des opérations lors de l'installation et de la commande du logiciel dans la documentation correspondante.

15.2 Interface USB

Le PC nécessite une interface USB pour la communication avec les positionneurs ainsi qu'un adaptateur supplémentaire avec pilote interface (voir « [Tableau 29 : Accessoires](#) »)

La transmission de données se faire selon la spécification HART.

15.3 Téléchargement

Téléchargement du logiciel sous : www.buerkert.fr

16 EMBALLAGE, TRANSPORT

REMARQUE!

Dommages dus au transport.

Les appareils insuffisamment protégés peuvent être endommagés pendant le transport.

- ▶ Transportez l'appareil à l'abri de l'humidité et des impuretés et dans un emballage résistant aux chocs.
- ▶ Évitez les effets de la chaleur et du froid pouvant entraîner le dépassement vers le haut ou le bas de la température de stockage admissible.

17 STOCKAGE

REMARQUE!

Un mauvais stockage peut endommager l'appareil.

- ▶ Stockez l'appareil au sec et à l'abri des poussières.
- ▶ Température de stockage : -20 ... +65 °C.

18 ÉLIMINATION

→ Éliminez l'appareil et l'emballage dans le respect de l'environnement.

REMARQUE!

Dommages à l'environnement causés par des pièces d'appareil contaminées par des fluides.

- ▶ Respectez les prescriptions en matière d'élimination des déchets et de protection de l'environnement en vigueur.

**Remarque :**

Respectez les prescriptions nationales en matière d'élimination des déchets.

