

Standard aseptic check valve with weld end



Hygienic Processing components...



Type BBS-05
Quick Connect



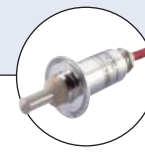
Type BBS-07
Flange block



Type BBS-03F
Linear flow indicator



Type 2103
Diaphragm valve



Type 8221
Conductivity sensor



Type 8650
Automation process

- All medium contact materials traceable
- Screwed and flanged versions
- Suitable for CIP and SIP (cleaning in process)
- Flow direction selectable
- Component of the BBS modular system

The aseptic check valves are appropriate for fluids and steam sterilisation. The design is so created that the flow direction is selectable, which improves the cost and simplicity of installation significantly. The new standards in the biotechnology and pharmaceutical industry are met.

Their design and processing provide continuous flushing, but it should be mentioned that the valves must be mounted in the standard vertical position in order to ensure complete emptying.

If the unit is to ensure complete drainage in a horizontal position, please refer to our technical datasheet BBS-10 about eccentric check valves. These unique products were designed so that they can be mounted on horizontal pipe lines and are completely draining, while maintaining the properties of a standard check valve.

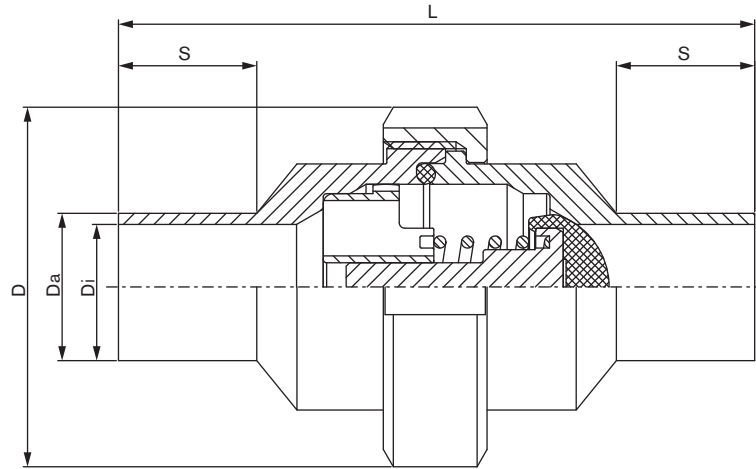
Applications

- Biotechnology
- Pharmaceutical
- Chemical industry
- Dairy
- Food
- Cosmetic

Technical data

Available standard sizes	ISO DN08 to DN100 BS-OD DN1/4" to DN4" DIN DN08 to DN100 Customized on request
Material medium contact	Stainless steel 1.4435 BN2 (316L) Check ball made of PTFE Spring: 1.4401 Special materials on request
Material medium separated	1.4305 or equivalent
Ball	1.4435 BN2 stainless steel with PTFE-Ball
Seals	O-Ring, EPDM, PTFE, Special sealing materials on request
Surface quality	Medium contacted surface RA < Ra 0,8µm, electro polished, finer surface on request
Operating temperature	-10 to +140 °C (depending on seal material)
Ambient temperature	-20 to +80 °C
Media	Liquids
Design-, operating pressure	-1 to +16 Bar (operating pressure -1 to +8 Bar) Standard opening pressure 0.2 bar higher or lower pressures on request
Applicable Standards	Pipe connection acc. to DIN 11866 ISO-Dimensions Series B (ISO 4200) BS-OD-Dimensions Series C (ASME BPE) DIN-Dimensions Series A (DIN 11850) Conformity assessment acc. to DGRL 97-25-EG
Certifications	Material 3.1, FDA for all specified seal materials USP VI for EPDM, FEP and PTFE

Dimensions [mm] Ball check valve screwed with weld end



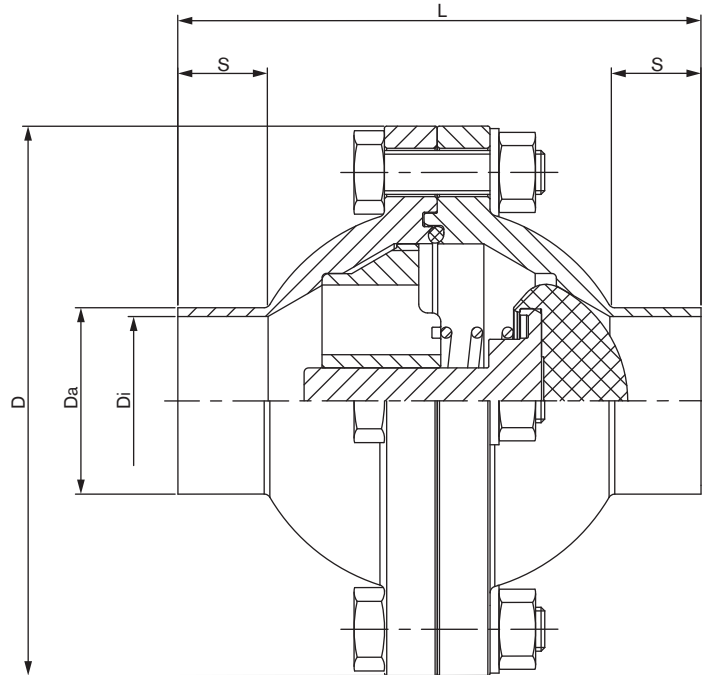
Orifice	D [mm]	Da [mm]	Di [mm]	L [mm]	S [mm]	Item no.	Item no.
						EPDM	FEP
ISO Dimensions Ball check valve screwed with weld end							
DN08	52.00	13.50	10.30	92.00	18.00	736 347	736 351
DN10	52.00	17.20	14.00	92.00	20.00	736 359	736 363
DN15	52.00	21.30	18.10	92.00	20.00	736 393	736 401
DN20	67.00	26.90	23.70	105.00	18.00	736 409	736 414
DN25	67.00	33.70	29.70	105.00	22.00	736 433	736 438

Orifice	D [mm]	Da [mm]	Di [mm]	L [mm]	S [mm]	Item no.	Item no.
						EPDM	FEP
BS-OD Dimensions Ball check valve screwed with weld end							
DN1/4"	52.00	6.35	4.57	92.00	18.00	736 505	743 727
DN3/8"	52.00	9.53	7.75	92.00	18.00	on request	743 728
DN1/2"	52.00	12.70	9.40	92.00	18.00	736 526	736 534
DN3/4"	52.00	19.05	15.75	92.00	20.00	on request	736 543
DN1"	67.00	25.40	22.10	105.00	18.00	736 555	736 568

Orifice	D [mm]	Da [mm]	Di [mm]	L [mm]	S [mm]	Item no.	Item no.
						EPDM	FEP
DIN Dimensions Ball check valve screwed with weld end							
DN08	52.00	10.00	8.00	92.00	18.00	736 189	736 193
DN10	52.00	12.00	10.00	92.00	18.00	on request	736 205
DN10	52.00	13.00	10.00	92.00	18.00	on request	743 424
DN15	52.00	19.00	16.00	92.00	20.00	736 234	736 242
DN20	67.00	23.00	20.00	105.00	18.00	736 254	736 258
DN25	67.00	29.00	26.00	105.00	18.00	736 262	736 271

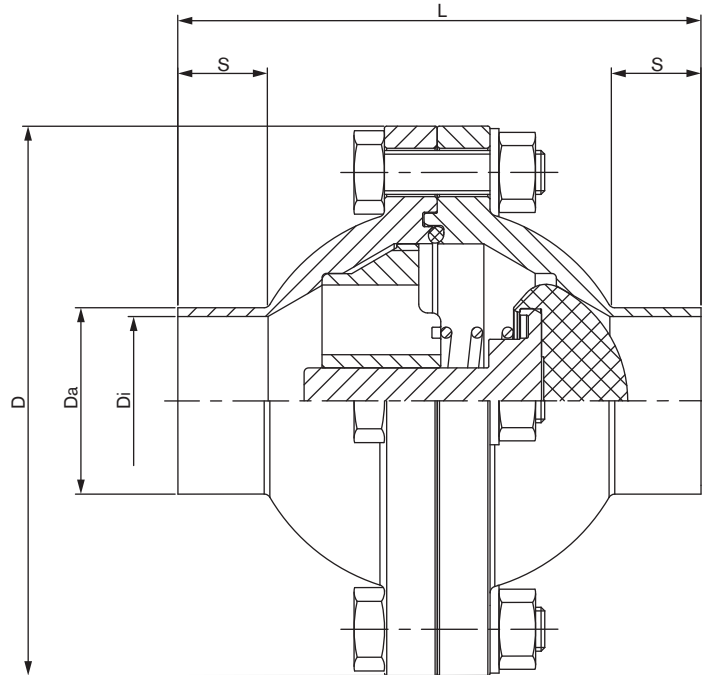
Note: Sizes over DN25/DN1" in flange version. Page 3+4

Dimensions [mm] Ball check valve flanged with weld end



Orifice	D [mm]	Da [mm]	Di [mm]	L [mm]	S [mm]	Item no. EPDM	Item no. FEP
ISO Dimensions Ball check valve flanged with weld end							
DN25	88.00	33.70	29.70	105.00	20.00	on request	736 426
DN32	125.00	42.40	38.40	119.00	20.00	on request	736 446
DN40	137.00	48.30	44.30	137.00	20.00	on request	736 467
DN50	137.00	60.30	56.30	147.00	32.00	on request	736 480
DN65	168.00	76.10	72.10	154.00	40.00	on request	736 493
DN80	190.00	88.90	84.30	180.00	40.00	on request	736 497
DN100	240.00	114.30	109.70	176.00	30.00	on request	736 368
DN150	360,00	168,30	163,10	248,00	40,00	on request	on request

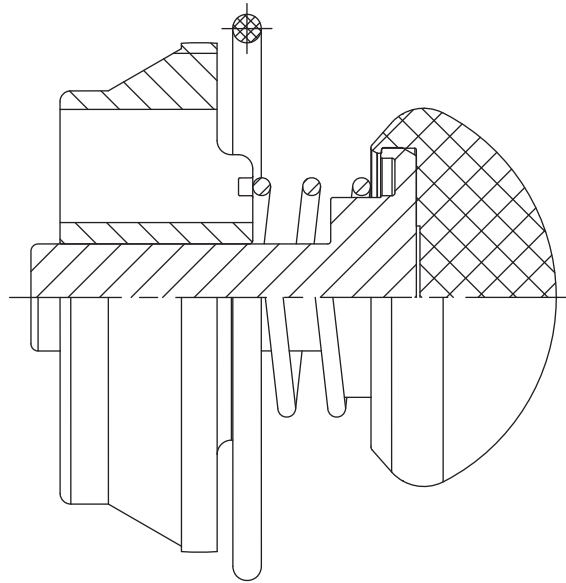
Dimensions [mm] Ball check valve flanged with weld end



Orifice	D [mm]	Da [mm]	Di [mm]	L [mm]	S [mm]	Item no. EPDM	Item no. FEP
BS-OD Dimensions Ball check valve flanged with weld end							
DN1 1/2"	125.00	38.10	34.80	159.30	38.00	736 572	736 580
DN2"	137.00	50.80	47.50	180.40	45.00	736 596	736 600
DN2 1/2"	168.00	63.50	60.20	163.00	38.00	736 608	736 612
DN3"	168.00	76.20	72.90	163.00	45.00	736 616	736 620
DN4"	240.00	101.60	97.38	185.00	38.00	736 625	736 629

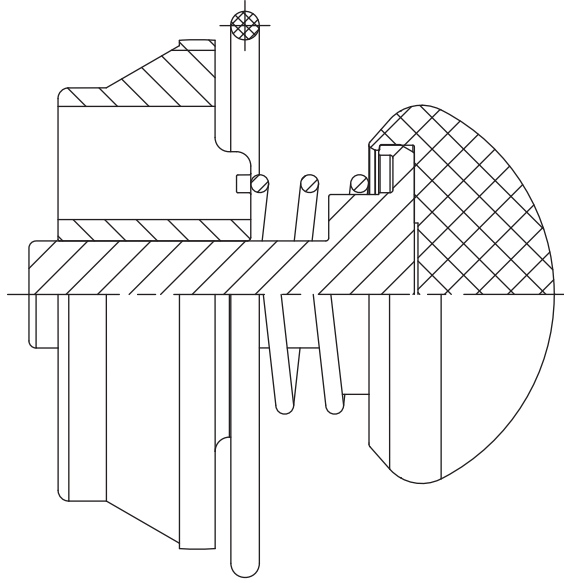
Orifice	D [mm]	Da [mm]	Di [mm]	L [mm]	S [mm]	Item no. EPDM	Item no. FEP
DIN Dimensions Ball check valve flanged with weld end							
DN32	88.00	35.00	32.00	105.00	22.00	on request	736 283
DN40	125.00	41.00	38.00	140.00	25.00	on request	736 292
DN50	137.00	53.00	50.00	144.00	30.00	on request	736 304
DN65	168.00	70.00	66.00	154.00	38.00	736 313	736 322
DN80	190.00	85.00	81.00	180.00	38.00	on request	736 334
DN100	240.00	104.00	100.00	179.00	30.00	on request	on request

Spare parts kit for ball check valve



Orifice	Item no. EPDM	Item no. FEP
ISO Spare parts kit consisting of support flange, spring, ball cap and O-Ring		
DN08	735 561	735 565
DN10	735 561	735 565
DN15	735 561	735 565
DN20	on request	735 573
DN25	735 577	735 581
DN32	on request	735 585
DN40	on request	735 593
DN50	on request	735 593
DN65	on request	735 597
DN80	on request	735 601
DN100	on request	743 828

Spare parts kit for ball check valve



Orifice	Item no. EPDM	Item no. FEP
BS-OD Spare parts kit consisting of support flange, spring, ball cap and O-Ring		
DN1/4"	735 561	735 565
DN3/8"	735 561	735 565
DN1/2"	735 561	735 565
DN3/4"	735 561	735 565
DN1"	on request	735 573
DN1 1/2"	on request	735 585
DN2"	on request	735 589
DN2 1/2"	on request	735 593
DN3"	on request	735 597
DN4"	on request	743 828

Orifice	Item no. EPDM	Item no. FEP
DIN Spare parts kit consisting of support flange, spring, ball cap and O-Ring		
DN08	735 561	735 565
DN10	735 561	735 565
DN15	735 561	735 565
DN20	735 577	735 581
DN25	735 577	735 581
DN32	735 577	735 581
DN40	on request	735 589
DN50	on request	735 593
DN65	on request	735 597
DN80	on request	735 601
DN100	on request	743 828

To find your nearest Bürkert facility, click on the orange box → www.burkert.com

Specification key (other versions on request)

Example **BBS-10 - ZX - WA - 25,0 - FE - VI - SD44 - T09 - ZUB - AE - NK52 + NO10**

Specification key

Delivery (LIUM)	
ZX	Centric check valve complete
ZA	Spare part set for centric check valve
EX	Eccentric check valve complete
EA	Spare part set for eccentric check valve

Connection Type (VRBT)	
WA	Weld fitting acc. to DIN 11850 series 2 / DIN 11866 series A
WB	Weld fitting acc. to DIN EN ISO 1127 / ISO 4200 / DIN 11866 series B
WC	Weld fitting acc. to ASME BPE / DIN 11866 series C
00	Without connection (spare part set)

Seal Material (DWST)	
AB	EPDM
FE	FEP

Material (WKST)	
HA	Hastelloy C2
VI	1.4435 acc. BN2 and 316L acc. to ASME BPE chart DT3
VU	1.4539
VN	1.4410
VV	1.4547

Orifice (DN)
08.0
10.0
20.0
25.0
32.0
40.0
50.0
65.0
80.0
0100

Internal polishing	
NO10	int. electro polished (Standard) Ra = 0,8 µm

Certificate	
NK52	3.1 Certificate (Standard)

Characteristic of functional part (KGFT)	
AA	opening pressure 0.012bar
AB	opening pressure 0.036bar
AC	opening pressure 0.6bar
AD	opening pressure 0.1bar
AE	opening pressure 0.2bar
AF	opening pressure 0.5bar
AG	opening pressure 0.68bar
AH	opening pressure 0.8bar
AI	opening pressure 1.0bar

Weld connection (LTA1)							
Port connection [mm]	EN ISO 1127/ ISO 4200	DIN 11850 row 0	row 1	row 2	row 3	BS 4825	ASME BPE
4		SC40=6x1,0					
6		SC41=8x1,0					
8	SA40=13,5x1,6	SC42=10x1,0				SODB=6,35x1,2	SA90=6,35x0,89
10	SA41=17,2x1,6		SF40=12x1,0	SD40=13x1,5	SE40=14x2,0	SODC=9,53x1,2	SA91=9,53x0,89
15	SA42=21,3x1,6	SC43=18x1,5	SF41=18x1,0	SD42=19x1,5	SE42=20x2,0	SODD=12,7x1,2	SA92=12,7x1,65
20	SA43=26,9x1,6	SC44=22x1,5	SF42=22x1,0	SD43=23x1,5	SE43=24x2,0	SODE=19,05x1,2	SA93=19,05x1,65
25	SA44=33,7x2,0	SC45=28x1,5	SF43=28x1,0	SD44=29x1,5	SE44=30x2,0		SODF=25,4x1,65
32	SA45=42,4x2,0	SC46=34x1,5	SF44=34x1,0	SD45=35x1,5	SE45=36x2,0		
40	SA46=48,3x2,0	SC47=40x1,5	SF45=40x1,0	SD46=41x1,5	SE46=42x2,0		SODH=38,1x1,65
50	SA47=60,3x2,0	SC48=52x1,5	SF46=52x1,0	SD47=53x1,5	SE47=54x2,0		SODI=50,8x1,65
65	SA48=76,1x2,0			SD48=70x2,0			SODJ=63,5x1,65
80	SA49=88,9x2,3			SD49=85x2,0			SODK=76,2x1,65
100	SA39=114,3x2,3			SD50=104x2,0			SODL=101,6x2,11