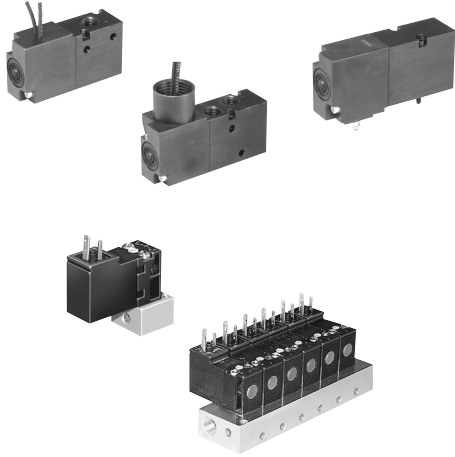


Pneumatic Valve Products
Direct Acting Valve Series



XM Series

Features	B1
Common Part Number / Ordering Information	B3-B5
Accessories	B6
Technical Data	B7
Dimensional Data	B8

15mm Solenoid Valve

Features	B9
Ordering Information	B10-B11
Dimensional Data	B11

B

Direct Acting Valves



Features

XM Valve Series

XM series is a 1/8 inch ported, 3-way and 4-way, 2-position, spring return, normally open or normally closed, general purpose air valve.

Ports

- 1/8" NPT

Mounting

- Inline
- IEM bar manifold
- Subbase valve manifold

Solenoids

- Continuous duty rated
- 24" grommet
- 15mm 3-pin (9.4mm pin spacing)
- 1/2" conduit
- 12VDC to 240VAC

Balanced poppet

- 3-way N.O. & N.C.
- Diverter
- Selector
- Vacuum option

ROHS compliant

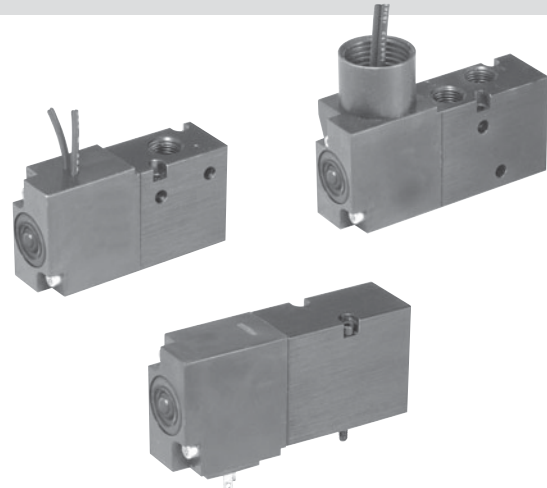
Material specifications

Body	Aluminum
Center post and armature	Stainless steel
Stem	Brass
Spring	Stainless steel
Seals	Buna N
Center post sleeve	Acetal
Coil	General purpose Class B, encapsulated

Performance information

Electrical						Flow	
Code	Voltage		Power consumption	Holding current	Cv chart		
	AC	DC			3-way	4-way	
	60Hz	50Hz	(W / VA)	(Amps)			
42	24	22	—	4.8VA	.200	.15	.15
45*	—	—	12	4.5W	.375	.15	.15
49	—	—	24	4.5W	.188	.15	.15
53	120	110	—	4.32VA	.036	.15	.15
57	240	220	—	4.32VA	.018	.15	.15

* Mobile voltage, +25/-30%
 Note: Voltage tolerance: +10 / -15%
 Cv tested per ANSI / (NFPA) T3.21.3



Operating information

3-way, N operating pressure:	0 to 125 PSIG
3-way, V* operating pressure:	0.28" Hg to 125 PSIG
4-way, N operating pressure:	0.28" Hg to 125 PSIG
Temperature range:	32°F to 125°F (0°C to 50°C)

* For vacuum service

Response time

Code	Voltage	0 Cu. in. test chamber		12 Cu. in. test chamber	
		Fill	Exhaust	Fill	Exhaust
49	24VDC	.011	.007	.240	.384
53	120VAC	.011	.020	.240	.384


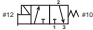



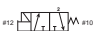
Average Fill Time (Seconds): With 100 PSIG supply, time required to fill from 0-90 PSIG and exhaust from 100 PSIG to 10 PSIG is measured from instant of energizing, or de-energizing solenoid. Times shown are average.
 Tested per ANSI / (NFPA) T3.21.8.

B
 Direct Acting Valves
 XM Series
 15mm Solenoid Valves








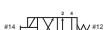
For inventory, lead times, and kit lookup, visit www.pdnplu.com

3-way Inline Valves

	Symbol	Port size	Cv	Voltage	Valve type	Weight	Part number
		1/8"	.15	24" Grommet, 24VDC	Inline	4 oz	XM30NBG49A
		1/8"	.15	24" Grommet, 120VAC	Inline	(.11 Kg)	XM30NBG53A
		1/8"	.15	3-Pin, 15mm, DIN 9.4mm, 24VDC	Inline	4 oz	XM30NB549A
		1/8"	.15	3-Pin, 15mm, DIN 9.4mm, 120VAC	Inline	(.11 Kg)	XM30NB553A
		1/8"	.15	1/2" Conduit / 24" leads, 24VDC	Inline	5 oz	XM30NBH49A
		1/8"	.15	1/2" Conduit / 24" leads, 120VAC	Inline	(.14 Kg)	XM30NBH53A





Note: All units with non-locking flush override. Can be used as N.O / N.C. / Diverter / Selector function.

4-way Inline Valves

	Symbol	Port size	Cv	Voltage	Valve type	Weight	Part number
		1/8"	.15	24" Grommet, 24VDC	Inline	4.3 oz	XM40NBG49A
		1/8"	.15	24" Grommet, 120VAC	Inline	(.12 Kg)	XM40NBG53A
		1/8"	.15	3-Pin, 15mm, DIN 9.4mm, 24VDC	Inline	4.3 oz	XM40NB549A
		1/8"	.15	3-Pin, 15mm, DIN 9.4mm, 120VAC	Inline	(.12 Kg)	XM40NB553A
		1/8"	.15	1/2" Conduit / 24" leads, 24VDC	Inline	5.3 oz	XM40NBH49A
		1/8"	.15	1/2" Conduit / 24" leads, 120VAC	Inline	(.15 Kg)	XM40NBH53A


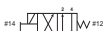

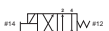
Note: All units with non-locking flush override.

3-way Subbase Mount Valves


	Symbol	Port size	Cv	Voltage	Valve type	Weight	Part number
		1/8"	.15	24" Grommet, 24VDC	Subbase mount	4 oz	XM3VNBG49A
		1/8"	.15	24" Grommet, 120VAC	Subbase mount	(.11 Kg)	XM3VNBG53A
		1/8"	.15	3-Pin, 15mm, DIN 9.4mm, 24VDC	Subbase mount	4 oz	XM3VNB549A
		1/8"	.15	3-Pin, 15mm, DIN 9.4mm, 120VAC	Subbase mount	(.11 Kg)	XM3VNB553A

Note: All units with non-locking flush override. Can be used as N.O / N.C. / Diverter / Selector function.

4-way Subbase Mount Valves

	Symbol	Port size	Cv	Voltage	Valve type	Weight	Part number
		1/8"	.15	24" Grommet, 24VDC	Subbase mount	4.3 oz	XM4VNBG49A
		1/8"	.15	24" Grommet, 120VAC	Subbase mount	(.12 Kg)	XM4VNBG53A
		1/8"	.15	3-Pin, 15mm, DIN 9.4mm, 24VDC	Subbase mount	4.3 oz	XM4VNB549A
		1/8"	.15	3-Pin, 15mm, DIN 9.4mm, 120VAC	Subbase mount	(.12 Kg)	XM4VNB553A

Note: All units with non-locking flush override.

 Most popular.

B

Direct Acting Valves

XM Series

15mm Solenoid Valves



For inventory, lead time, and kit lookup, visit www.pdnplu.com

Model Number Index

B
 Direct Acting Valves
 XM Series
 15mm Solenoid Valves

XM 4 0 N B G49 — A

Operator / Function	
3-Way, Direct Operated, Single Solenoid, Spring Return	3
4-Way, Direct Operated, Single Solenoid, Spring Return	4

Engineering Level	
A	Current

Port Size / Thread Type	
1/8" NPT Inline	0*
Subbase Valve Less Base	V

Options	
Blank	None
F0*	Flow Control

* 4-Way Valves Only.

* Available on IEM manifolds.

Pilot Source / Exhaust	
Direct Operated / Standard Pressure	N*
Direct Operated / Vacuum Service	V**

* 3-Way Valve Positive Pressure,
 4-Way Valve Vacuum or Positive Pressure
 ** 3-Way Valve Vacuum Pressure.

Overrides	
Flush - Non-Locking	B

Enclosures / Lead Length				
		Voltage		
		AC		DC
		60Hz	50Hz	
542	15mm 3-Pin DIN 9.4mm	24	22	
545*	15mm 3-Pin DIN 9.4mm			12
549	15mm 3-Pin DIN 9.4mm			24
553	15mm 3-Pin DIN 9.4mm	120	110	
G42	Grommet / Flying Leads 24"	24	22	
G45*	Grommet / Flying Leads 24"			12
G49	Grommet / Flying Leads 24"			24
G53	Grommet / Flying Leads 24"	120	110	
G57	Grommet / Flying Leads 24"	240	220	
H42†	1/2" Conduit / Flying Leads 24"	24	22	
H45*†	1/2" Conduit / Flying Leads 24"			12
H49†	1/2" Conduit / Flying Leads 24"			24
H53†	1/2" Conduit / Flying Leads 24"	120	110	

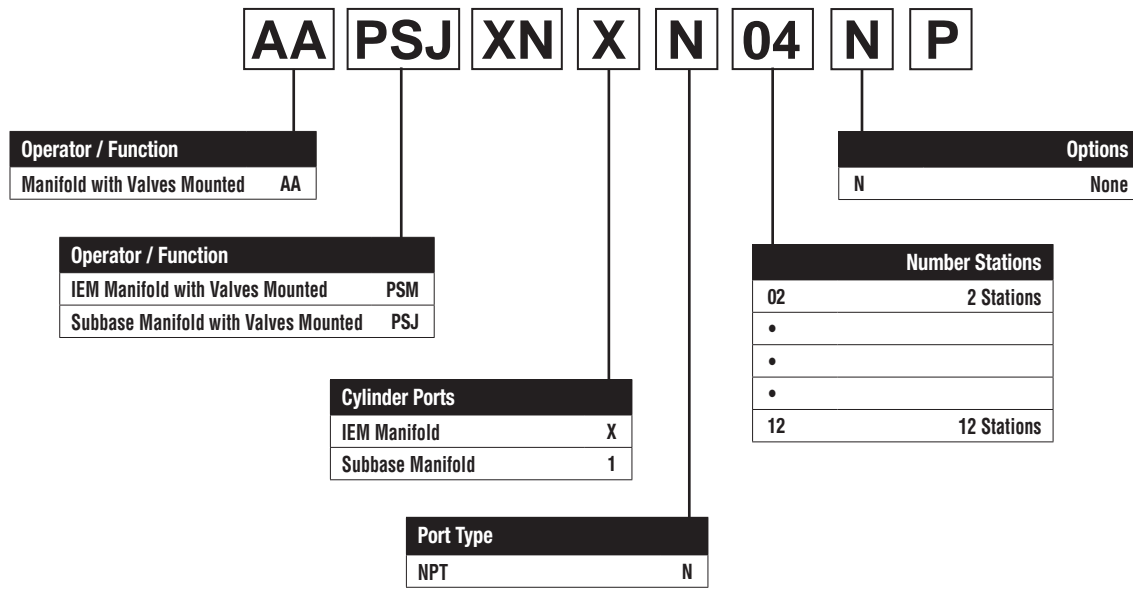
* Mobile Voltage Rated.

† Inline Version Only.

Notes:
Inline Valves
 Conduit Inline valves cannot be mounted to IEM or Subbase Manifolds.



How to Order Manifold Assemblies



IEM Bar Manifold Assembly

First line item describes IEM Assembly. Subsequent line items listed identify each station in the Manifold starting with Station Number 1.

Ordering Example

Item	Qty	Part Number
001	1	AAPSMXNXN04NP
002	2	XM30NBG49A - Station 1, 2 - Normally Closed
003	1	XM40NBG49A - Station 3
004	1	XM40NBG49FOA - Station 4

Notes: When ordering Add-A-Folds, list valves left to right when looking at the Port 1/3 side of the manifold. All 3-Way valves will be assembled as 3-Way N.C. valves.

Component Ordering Example

Item	Qty	Part Number
001	1	PSMXNXN04NP (IEM Kit)
002	2	XM30NBG49A (Valve)
003	1	XM40NBG49A (Valve)
004	1	XM40NBG49FOA (Valve)

Subbase Manifold Assembly

First line item describes Subbase Assembly. Subsequent line items listed identify each station in the Manifold starting with Station Number 1.

Ordering Example

Item	Qty	Part Number
001	1	AAPSJXN1N04NP
002	2	XM3VNBG49A - Station 1, 2 - Normally Closed
003	1	XM4VNBG49A - Station 3
004	1	XM4VNBG49FOA - Station 4

Notes: When ordering Add-A-Folds, list valves left to right when looking at the Port 2/4 side of the manifold. All 3-Way valves will be assembled as 3-Way N.C. valves. Isolator Discs are required for N.O. functions.

Component Ordering Example

Item	Qty	Part Number
001	1	PSXM31010P (End Plate Kit)
002	4	PSXM530CP (Subbase Kit)
003	2	XM3VNBG49A (Valve)
004	1	XM4VNBG49A (Valve)
005	1	XM4VNBG49FOA (Valve)



For inventory, lead time, and kit lookup, visit www.pdnplu.com

Accessories

Manifold



Description	Part number
IEM bar manifold (NPT)	PSMXNXN##NP

- stations 02 to 12 (04 Shown)

Subbase



Description	Part number
Manifold subbase kit (NPT)	PSXM530CP

Plug-in Electrical Connectors - 9.4mm

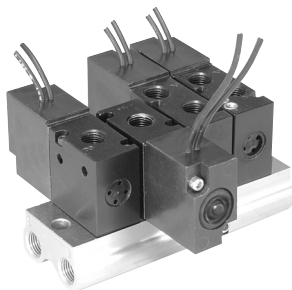


Description	Indication	Voltage	Part number
Unwired Plug	None	N/A	PESC10
	LED & Suppression	12/24V	PESC2020B
		120VAC	PESC2001F



Description	Indication	Voltage	Part number
Plug with 6" lead	None	N/A	P8L-C2
	LED & Suppression	12/24V	PESC2220B
		120VAC	P8LC221E

IEM Bar Manifold Assembly



IEM Bar Manifold allows for mounting of 3-Way and 4-Way Inline valves on the same manifold. 3-Way Valves can be mounted on the same manifold to provide a Normally Closed or Normally Open function by rotating the valves 180°. 4-Way valves can be mounted with or without Flow Controls.

IEM Bar Manifold Assemblies consist of valves and an IEM Manifold. Valves and IEM Manifold can be ordered separately.

Direct Acting Valve Products XM Valve Series

Accessories



Description	Part number
End plate kit (NPT)	PSXM31010P



Description	Part number
Blanking plate kit	PSXM8310P

Subbase Kit includes: (1) Plate, (3) Screws, (4) Gaskets
Fits subbase or IEM type manifold.



Description	Part number
Mounting Bracket - Inline valve	PSXM8288P



Description	Part number
Isolator plugs - Subbase manifold	PSXM40900P



Description	Part number
IEM valve / manifold o-ring kit	PSXM2186P



Description	Part number
Subbase valve / manifold bolt kit	PSXM8100P

Subbase Manifold Assembly



Subbase Manifold allows for mounting of 3-Way and 4-Way Subbase Valves can be mounted on the same manifold. 3-Way Valves can be mounted on the same manifold to provide a Normally Closed or Normally Open function through the use of port isolation kits. 4-Way valves can be mounted with or without Flow Controls.

Subbase Manifold Assemblies consist of Valves, End Plate Kit and Manifold Subbase Kits. Valves, End Plate Kit and Manifold Subbase Kits can be ordered separately.

B

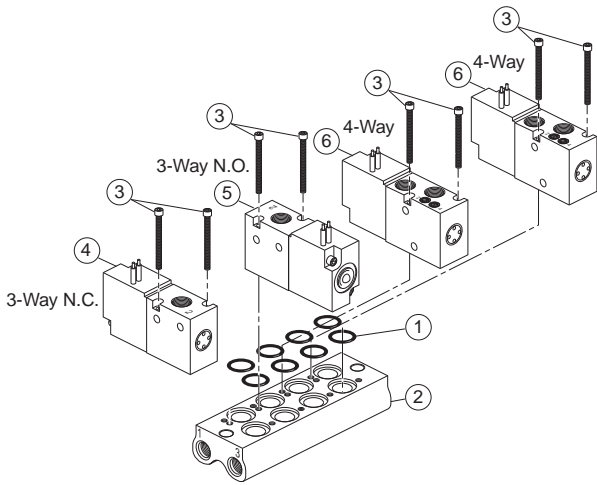
Direct Acting Valves

XM Series

15mm Solenoid Valves

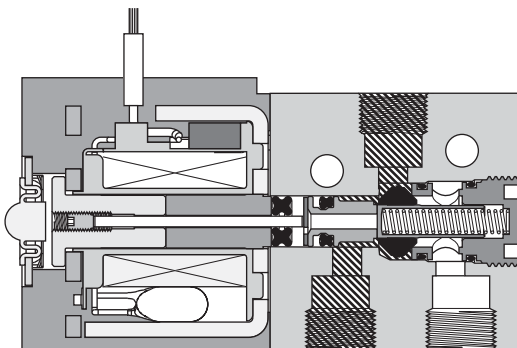
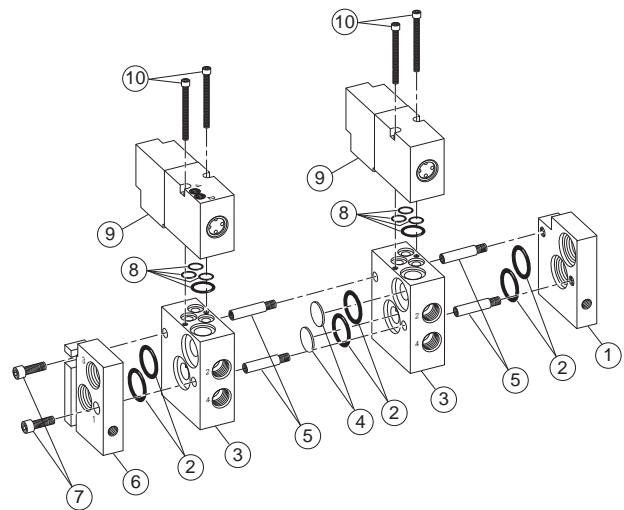
Inline Valve on IEM Bar Manifold Assembly

IEM Bar Manifold Assembly's are assembled by adding Inline Valves to an IEM Bar Manifold. O-rings are installed at each valve station in the counterbore on the top of the manifold. Valves are installed with 2 mounting screws. For 3-Way N.C. valve operation, line up the solenoid end of the Valve with Port 1 on the Manifold. For 3-Way N.O. operation, line up the solenoid end of the valve with Port 3 on the manifold. For 4-Way valve operation, line up the Solenoid end of the valve with Port 1 on the manifold. If manifolds are factory assembled, all 3-Way valves are N.C. To convert from N.C. to N.O. operation, remove valve from the base and place valve 180° from the original position with the solenoid end lined up with the 3-Port on the manifold.

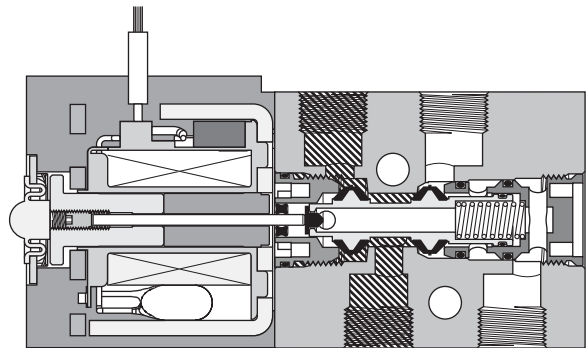


Subbase Valve and Manifold Assembly

Subbase Manifold Assembly's are assembled by adding tie rods and manifold bases to the end plate kit of the subbase end plate kit as shown below. Valves are added to each subbase per manifold design. 4-Way and 3-Way valves are mounted with Solenoids Coils facing away from subbase delivery ports 2 and 4. For 3-Way N.O. Functions, valves must be isolated from the other 3-Way N.C. and 4-Way valves on the manifold. This is achieved by placing port isolator discs in between the subbase of the first 3-Way N.O. Valve and the subbase of the last 3-Way N.C. or 4-Way valve in the Subbase Manifold. Inlet pressure is connected to Port 3 of the manifold for the 3-Way N.O. valves. Inlet pressure is connected to the Port 1 of the manifold for the 3-Way N.C. and 4-Way valves. Separate Inlet Pressure Ports and Exhaust Ports are required for N.O. and N.C. 3-way function valves.



3-Way Inline Valve
 Shown Energized



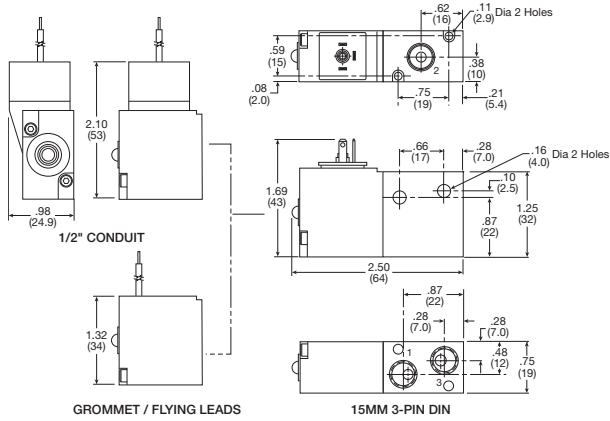
4-Way Inline Valve
 Shown De-Energized

Pressure Exhaust



For inventory, lead time, and kit lookup, visit www.pdnplu.com

XM 3-way Inline

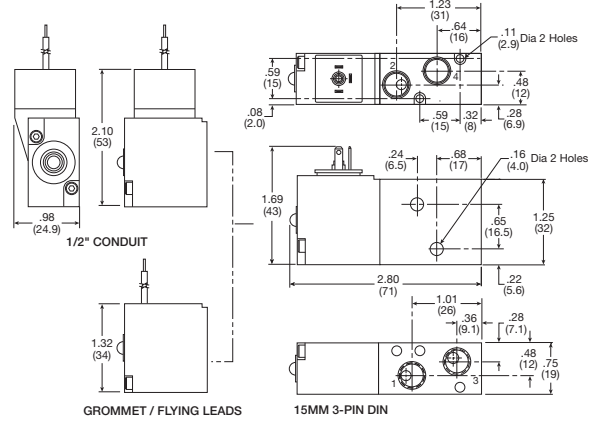


GROMMET / FLYING LEADS

15MM 3-PIN DIN

Inches (mm)
 Note: 22 AWG black cross linked polyethylene insulated lead wire.

XM 4-way Inline

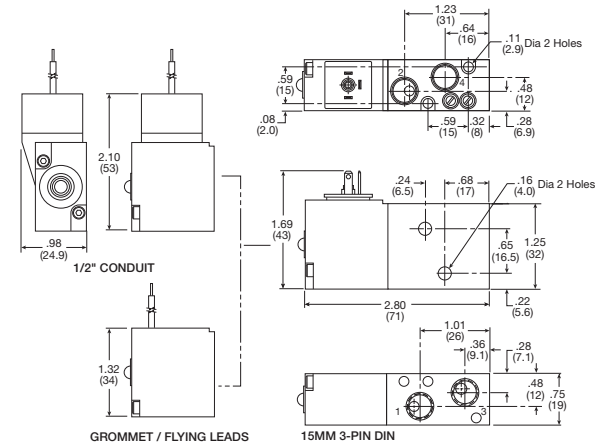


GROMMET / FLYING LEADS

15MM 3-PIN DIN

Inches (mm)
 Note: 22 AWG black cross linked polyethylene insulated lead wire.

XM 4-way Inline with Flow Controls

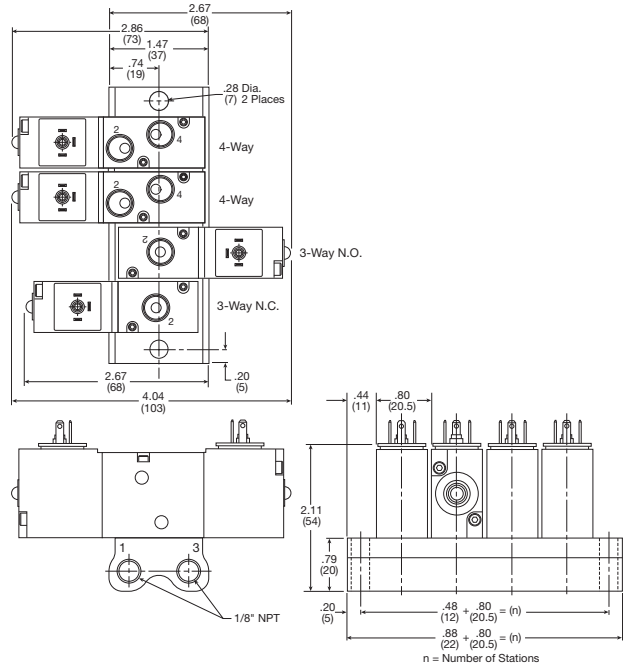


GROMMET / FLYING LEADS

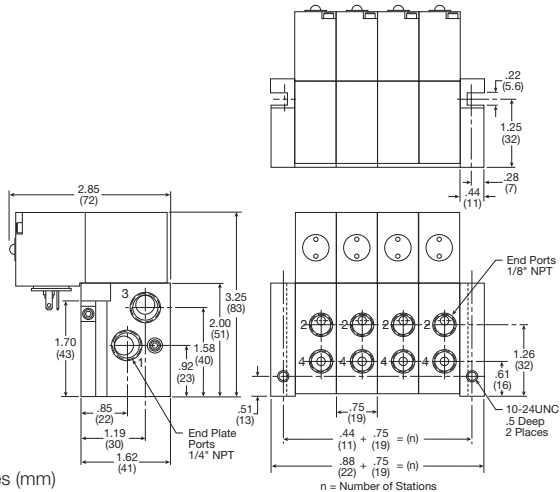
15MM 3-PIN DIN

Inches (mm)
 Note: 22 AWG black cross linked polyethylene insulated lead wire.

XM IEM Manifold



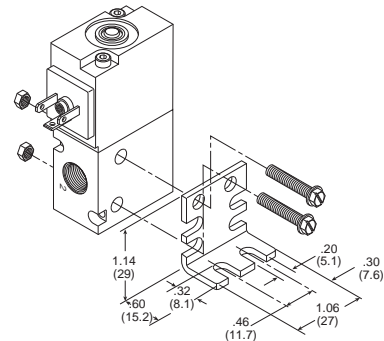
XM IEM Subbase



Inches (mm)

n = Number of Stations

Mounting Bracket Dimensions



15mm Solenoid Valve

A compact 15mm, 3-way subbase or manifold mounted valve. Ideally suited for use in stationary or mobile equipment applications, where flow rates and low temperatures are a key consideration.

Features

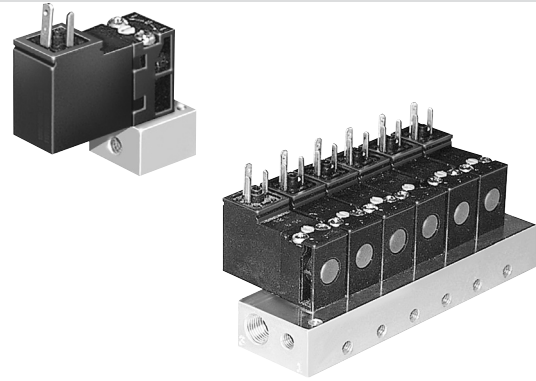
- Compact and simple design
- Utilizes 15mm solenoid operators
- Manifold allows mounting of normally open and normally closed operators simultaneously
- Up to 20 stations available

Solenoids

- 15mm low watt solenoids are UL certified and approved to be CE marked
- Wide range of voltages available

Applications

- Piloting for process control valves
 - pharmaceutical equipment
 - waste water treatment systems
 - food processing
 - chemical batching
- Industrial laundry equipment
- Paint spray & dyeing equipment
- Textile winding applications
- Vacuum and conveyor applications



Operating information

Operating pressure:	Vacuum to 145 PSIG (Vacuum to 10 bar)
Operating temperature:	
Standard Flow:	5°F to 140°F (-15°C to 60°C)
High Flow:	5°F to 122°F (-15°C to 50°C)
Mobile Applications (47 & 48 Voltage Options):	-40°F to 158°F (-40°C to 70°C)
Storage temperature:	
All applications:	-40°F to 158°F (-40°C to 70°C)

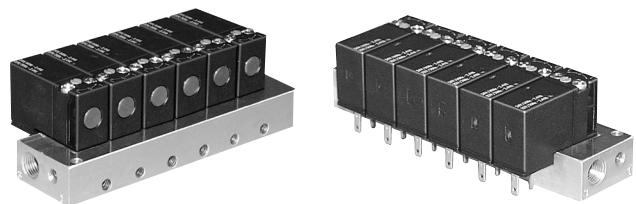
Material specifications

Body	Glass filled polyamide
Internal metal parts	Steel
Screws	Steel
Bottom plug	Thermoplastic
Poppet seals	Nitrile for standard, fluorocarbon for mobile

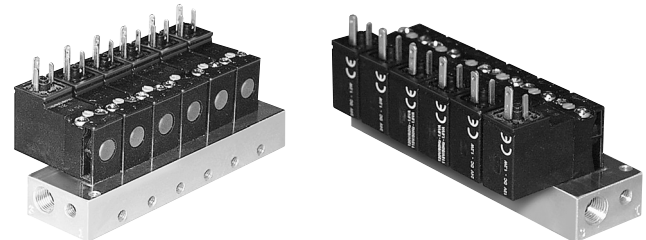
Technical data

Electrical interface per:	DIN 43650 Form C (EN175301-803C) 8mm pin spacing
Pneumatic interface per:	AFNOR E 0652 110 N
Protection:	IP65 (Washdown)
Air flow:	Standard flow 0.033 Cv (33 Lpm) (1.2W) (1.6VA)
Voltage tolerance:	All voltages except 47 & 48: Rated voltage +10% / -15% options 47 & 48: Rated voltage +25% / -30%

Manifold - Pins Down



Manifold - Pins Up



B

Direct Acting Valves

XM Series

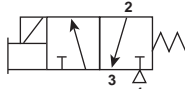
15mm Solenoid Valves



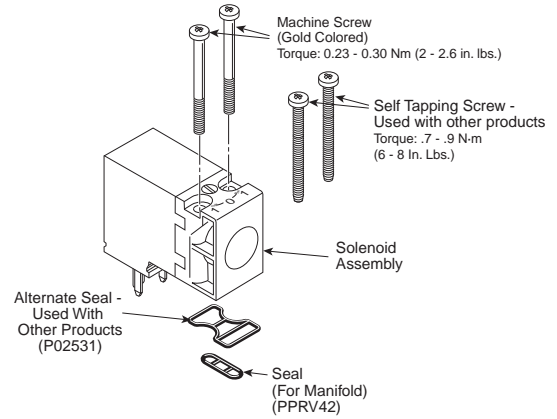
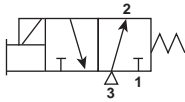
For inventory, lead time, and kit lookup, visit www.pdnplu.com

15mm Solenoid Kit Information

**3/2 Normally Non-passing (NNP) /
Normally Closed (NC) Valves**



**3/2 Normally Passing (NP) /
Normally Open (NO) Valves**



NC (NNP) Solenoids / Kits

	## Voltage (S = Standard, O = Optional, — = N/A)					Kit No.
	42 (24VAC)	45 (12VDC)	49 (24VDC)	53 (120VAC)	57 (230VAC)	
* Override						
B (Non-lock, Flush)	O	O	S	S	O	PS2982*##P Pins: UP NC / NNP 1.2W / 1.6VA
C (Lock, Flush)	O	O	S	S	O	
D (Non-lock, Ext)	—	—	O	O	—	
B (Non-lock, Flush)	O	O	S	S	—	PS3541*##P Pins: DOWN NC / NNP 1.8W / 2.4VA
C (Lock, Flush)	O	O	S	S	—	
D (Non-lock, Ext)	—	—	O	O	—	
E (Lock, Ext)	—	—	O	O	—	
B (Non-lock, Flush)	O	O	O	O	O	PS3441*##P Pins: DOWN NC / NNP 1.2W / 1.6VA
C (Lock, Flush)	O	O	O	O	O	
B (Non-lock, Flush)	O	O	S	S	—	PS3202*##P Pins: UP NO / NP 1.2W / 1.6VA

* Override, ## Voltage

Female Electrical Connectors

15mm 3-Pin DIN 43650C (Use with enclosure "5")

Description		Connector	Connector with cord
Unlighted	18 Inches	PS2932BP	PS2932HBP
Unlighted	6 Feet	PS2932BP	PS2932JBP
Light – 12VAC or DC	6 Feet	PS294675BP	PS2946J75BP*
Light – 24VAC or DC	6 Feet	PS294679BP	PS2946J79BP*
Light – 110/120VAC	6 Feet	PS294683BP	PS2946J83BP*
Light – 240/230VAC		PS294687BP	N/A

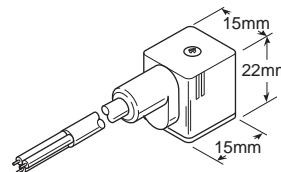
* LED with surge suppression.

Note: Max ø6.5mm cable size required for connector w/o 6' (2m) cord.
IP65 rated when properly installed.

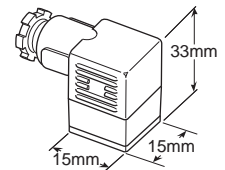
Engineering Data:

- Conductors: 2 poles plus ground
- Cable range (Connector only): 4 to 6mm (0.16 to 0.24 Inch)
- Contact spacing: 8mm

☐ Most popular.



Connector with cord

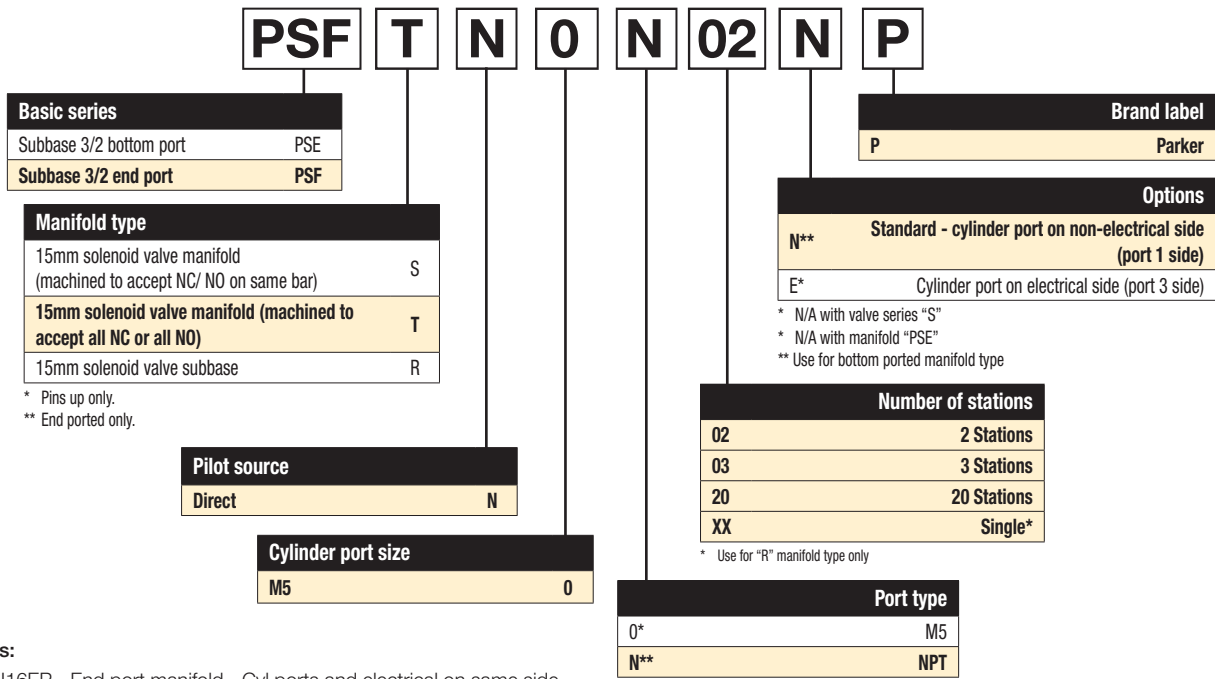


Connector only



For inventory, lead times, and kit lookup, visit www.pdnplu.com

Model Number Index

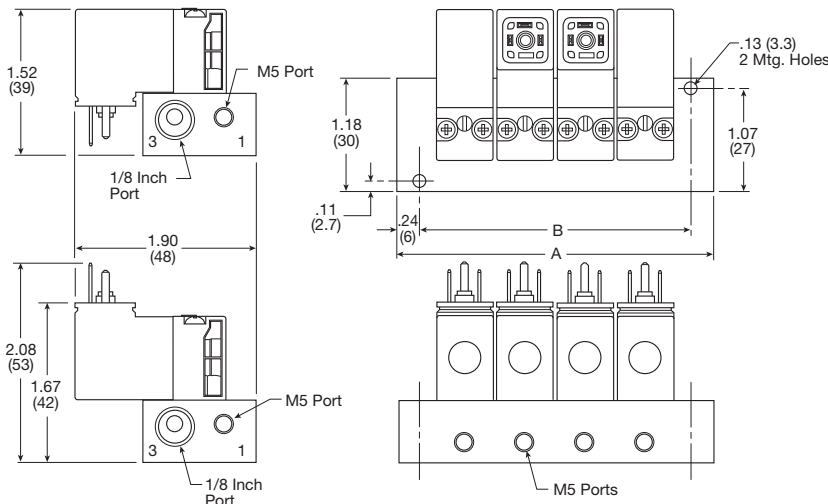


Examples:

PSFTNON16EP - End port manifold - Cyl ports and electrical on same side
 PSESNON10NP - Bottom port manifold - N/C and N/O can be interchanged
 PSFTNON10NP - End port manifold - Cyl ports and electrical are opposite

Manifold Dimensions

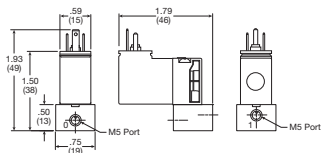
Special mounting considerations must be made for connector assembly clearance when mounting solenoid valves with pins down.



Number of stations	Dim. A	Dim. B
2	2.04 (52)	1.57 (40)
3	2.68 (68)	2.20 (56)
4	3.31 (84)	2.83 (72)
5	3.94 (100)	3.46 (88)
6	4.57 (116)	4.09 (104)
7	5.20 (132)	4.72 (120)
8	5.83 (148)	5.35 (136)
9	6.46 (164)	5.98 (152)
10	7.09 (180)	6.61 (168)
11	7.72 (196)	7.24 (184)
12	8.35 (212)	7.87 (200)
13	8.98 (228)	8.50 (216)
14	9.61 (244)	9.13 (232)
15	10.23 (260)	9.76 (248)
16	10.87 (276)	10.39 (264)
17	11.50 (292)	11.02 (280)
18	12.13 (308)	11.65 (296)
19	12.76 (324)	12.28 (312)
20	13.39 (340)	12.91 (328)

Subbase Dimensions

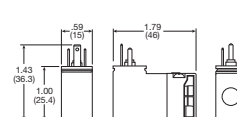
Pins up only.



Most popular.

15mm Solenoid Dimensions

Pins up only.



For inventory, lead time, and kit lookup, visit www.pdnplu.com

B11

Parker Hannifin Corporation
 Pneumatic Division
 Richland, Michigan
www.parker.com/pneumatics

B

Direct Acting Valves

XM Series

15mm Solenoid Valves

B

Direct Acting Valves

XM
Series

15mm Solenoid
Valves



For inventory, lead times, and kit lookup, visit www.pdnplu.com

B12

Parker Hannifin Corporation
Pneumatic Division
Richland, Michigan
www.parker.com/pneumatics

Safety Guide For Selecting And Using Pneumatic Division Products And Related Accessories

WARNING:

FAILURE OR IMPROPER SELECTION OR IMPROPER USE OF PNEUMATIC DIVISION PRODUCTS, ASSEMBLIES OR RELATED ITEMS ("PRODUCTS") CAN CAUSE DEATH, PERSONAL INJURY, AND PROPERTY DAMAGE. POSSIBLE CONSEQUENCES OF FAILURE OR IMPROPER SELECTION OR IMPROPER USE OF THESE PRODUCTS INCLUDE BUT ARE NOT LIMITED TO:

- Unintended or mistimed cycling or motion of machine members or failure to cycle
- Work pieces or component parts being thrown off at high speeds.
- Failure of a device to function properly for example, failure to clamp or unclamp an associated item or device.
- Explosion
- Suddenly moving or falling objects.
- Release of toxic or otherwise injurious liquids or gasses.

Before selecting or using any of these Products, it is important that you read and follow the instructions below.

1. GENERAL INSTRUCTIONS

- 1.1. Scope:** This safety guide is designed to cover general guidelines on the installation, use, and maintenance of Pneumatic Division Valves, FRLs (Filters, Pressure Regulators, and Lubricators), Vacuum products and related accessory components.
- 1.2. Fail-Safe:** Valves, FRLs, Vacuum products and their related components can and do fail without warning for many reasons. Design all systems and equipment in a fail-safe mode, so that failure of associated valves, FRLs or Vacuum products will not endanger persons or property.
- 1.3. Relevant International Standards:** For a good guide to the application of a broad spectrum of pneumatic fluid power devices see: ISO 4414:1998, Pneumatic Fluid Power – General Rules Relating to Systems. See www.iso.org for ordering information.
- 1.4. Distribution:** Provide a copy of this safety guide to each person that is responsible for selection, installation, or use of Valves, FRLs or Vacuum products. Do not select, or use Parker valves, FRLs or vacuum products without thoroughly reading and understanding this safety guide as well as the specific Parker publications for the products considered or selected.
- 1.5. User Responsibility:** Due to the wide variety of operating conditions and applications for valves, FRLs, and vacuum products Parker and its distributors do not represent or warrant that any particular valve, FRL or vacuum product is suitable for any specific end use system. This safety guide does not analyze all technical parameters that must be considered in selecting a product. The user, through its own analysis and testing, is solely responsible for:
 - Making the final selection of the appropriate valve, FRL, Vacuum component, or accessory.
 - Assuring that all user's performance, endurance, maintenance, safety, and warning requirements are met and that the application presents no health or safety hazards.
 - Complying with all existing warning labels and / or providing all appropriate health and safety warnings on the equipment on which the valves, FRLs or Vacuum products are used; and,
 - Assuring compliance with all applicable government and industry standards.
- 1.6. Safety Devices:** Safety devices should not be removed, or defeated.
- 1.7. Warning Labels:** Warning labels should not be removed, painted over or otherwise obscured.
- 1.8. Additional Questions:** Call the appropriate Parker technical service department if you have any questions or require any additional information. See the Parker publication for the product being considered or used, or call 1-800-CPARKER, or go to www.parker.com, for telephone numbers of the appropriate technical service department.

2. PRODUCT SELECTION INSTRUCTIONS

- 2.1. Flow Rate:** The flow rate requirements of a system are frequently the primary consideration when designing any pneumatic system. System components need to be able to provide adequate flow and pressure for the desired application.
- 2.2. Pressure Rating:** Never exceed the rated pressure of a product. Consult product labeling, Pneumatic Division catalogs or the instruction sheets supplied for maximum pressure ratings.
- 2.3. Temperature Rating:** Never exceed the temperature rating of a product. Excessive heat can shorten the life expectancy of a product and result in complete product failure.
- 2.4. Environment:** Many environmental conditions can affect the integrity and suitability of a product for a given application. Pneumatic Division products are designed for use in general purpose industrial applications. If these products are to be used in unusual circumstances such as direct sunlight and/or corrosive or caustic environments, such use can shorten the useful life and lead to premature failure of a product.
- 2.5. Lubrication and Compressor Carryover:** Some modern synthetic oils can and will attack nitrile seals. If there is any possibility of synthetic oils or greases migrating into the pneumatic components check for compatibility with the seal materials used. Consult the factory or product literature for materials of construction.
- 2.6. Polycarbonate Bowls and Sight Glasses:** To avoid potential polycarbonate bowl failures:
 - Do not locate polycarbonate bowls or sight glasses in areas where they could be subject to direct sunlight, impact blow, or temperatures outside of the rated range.
 - Do not expose or clean polycarbonate bowls with detergents, chlorinated hydro-carbons, ketones, esters or certain alcohols.
 - Do not use polycarbonate bowls or sight glasses in air systems where compressors are lubricated with fire resistant fluids such as phosphate ester and di-ester lubricants.

Part Number
Index

Safety
Guide

Offer of
Sale

Part Number Index,
Safety Guide, Offer of Sale

G



For inventory, lead time, and kit lookup, visit www.pdnplu.com

G27

Parker Hannifin Corporation
Pneumatic Division
Richland, Michigan
www.parker.com/pneumatics

2.7. Chemical Compatibility: For more information on plastic component chemical compatibility see Pneumatic Division technical bulletins Tec-3, Tec-4, and Tec-5

2.8. Product Rupture: Product rupture can cause death, serious personal injury, and property damage.

- Do not connect pressure regulators or other Pneumatic Division products to bottled gas cylinders.
- Do not exceed the maximum primary pressure rating of any pressure regulator or any system component.
- Consult product labeling or product literature for pressure rating limitations.

3. PRODUCT ASSEMBLY AND INSTALLATION INSTRUCTIONS

3.1. Component Inspection: Prior to assembly or installation a careful examination of the valves, FRLs or vacuum products must be performed. All components must be checked for correct style, size, and catalog number. DO NOT use any component that displays any signs of nonconformance.

3.2. Installation Instructions: Parker published Installation Instructions must be followed for installation of Parker valves, FRLs and vacuum components. These instructions are provided with every Parker valve or FRL sold, or by calling 1-800-CPARKER, or at www.parker.com.

3.3. Air Supply: The air supply or control medium supplied to Valves, FRLs and Vacuum components must be moisture-free if ambient temperature can drop below freezing

4. VALVE AND FRL MAINTENANCE AND REPLACEMENT INSTRUCTIONS

4.1. Maintenance: Even with proper selection and installation, valve, FRL and vacuum products service life may be significantly reduced without a continuing maintenance program. The severity of the application, risk potential from a component failure, and experience with any known failures in the application or in similar applications should determine the frequency of inspections and the servicing or replacement of Pneumatic Division products so that products are replaced before any failure occurs. A maintenance program must be established and followed by the user and, at minimum, must include instructions 4.2 through 4.9.

4.2. Installation and Service Instructions: Before attempting to service or replace any worn or damaged parts consult the appropriate Service Bulletin for the valve or FRL in question for the appropriate practices to service the unit in question. These Service and Installation Instructions are provided with every Parker valve and FRL sold, or are available by calling 1-800-CPARKER, or by accessing the Parker web site at www.parker.com.

4.3. Lockout / Tagout Procedures: Be sure to follow all required lockout and tagout procedures when servicing equipment. For more information see: OSHA Standard – 29 CFR, Part 1910.147, Appendix A, The Control of Hazardous Energy – (Lockout / Tagout)

4.4. Visual Inspection: Any of the following conditions requires immediate system shut down and replacement of worn or damaged components:

- Air leakage: Look and listen to see if there are any signs of visual damage to any of the components in the system. Leakage is an indication of worn or damaged components.
- Damaged or degraded components: Look to see if there are any visible signs of wear or component degradation.
- Kinked, crushed, or damaged hoses. Kinked hoses can result in restricted air flow and lead to unpredictable system behavior.
- Any observed improper system or component function: Immediately shut down the system and correct malfunction.
- Excessive dirt build-up: Dirt and clutter can mask potentially hazardous situations.

Caution: Leak detection solutions should be rinsed off after use.

4.5. Routine Maintenance Issues:

- Remove excessive dirt, grime and clutter from work areas.
- Make sure all required guards and shields are in place.

4.6. Functional Test: Before initiating automatic operation, operate the system manually to make sure all required functions operate properly and safely.

4.7. Service or Replacement Intervals: It is the user's responsibility to establish appropriate service intervals. Valves, FRLs and vacuum products contain components that age, harden, wear, and otherwise deteriorate over time. Environmental conditions can significantly accelerate this process. Valves, FRLs and vacuum components need to be serviced or replaced on routine intervals. Service intervals need to be established based on:

- Previous performance experiences.
- Government and / or industrial standards.
- When failures could result in unacceptable down time, equipment damage or personal injury risk.

4.8. Servicing or Replacing of any Worn or Damaged Parts: To avoid unpredictable system behavior that can cause death, personal injury and property damage:

- Follow all government, state and local safety and servicing practices prior to service including but not limited to all OSHA Lockout Tagout procedures (OSHA Standard – 29 CFR, Part 1910.147, Appendix A, The Control of Hazardous Energy – Lockout / Tagout).
- Disconnect electrical supply (when necessary) before installation, servicing, or conversion.
- Disconnect air supply and depressurize all air lines connected to system and Pneumatic Division products before installation, service, or conversion.
- Installation, servicing, and / or conversion of these products must be performed by knowledgeable personnel who understand how pneumatic products are to be applied.
- After installation, servicing, or conversions air and electrical supplies (when necessary) should be connected and the product tested for proper function and leakage. If audible leakage is present, or if the product does not operate properly, do not put product or system into use.
- Warnings and specifications on the product should not be covered or painted over. If masking is not possible, contact your local representative for replacement labels.

4.9. Putting Serviced System Back into Operation: Follow the guidelines above and all relevant Installation and Maintenance Instructions supplied with the valve FRL or vacuum component to insure proper function of the system.



The goods, services or work (referred to as the “Products”) offered by **Parker-Hannifin Corporation**, its subsidiaries, groups, divisions, and authorized distributors (“Seller”) are offered for sale at prices indicated in the offer, or as may be established by Seller. The offer to sell the Products and acceptance of Seller’s offer by any customer (“Buyer”) is contingent upon, and will be governed by all of the terms and conditions contained in this Offer of Sale. Buyer’s order for any Products specified in Buyer’s purchase document or Seller’s offer, proposal or quote (“Quote”) attached to the purchase order, when communicated to Seller verbally, or in writing, shall constitute acceptance of this offer.

- 1. Terms and Conditions.** Seller’s willingness to offer Products for sale or accept an order for Products is subject to the terms and conditions contained in this Offer of Sale or any newer version of the same, published by Seller electronically at www.parker.com/saleterms/. Seller objects to any contrary or additional terms or conditions of Buyer’s order or any other document or other communication issued by Buyer.
- 2. Price; Payment.** Prices stated on Seller’s Quote are valid for thirty (30) days, except as explicitly otherwise stated therein, and do not include any sales, use, or other taxes or duties unless specifically stated. Seller reserves the right to modify prices to adjust for any raw material price fluctuations. Unless otherwise specified by Seller, all prices are F.C.A. Seller’s facility (INCOTERMS 2010). Payment is subject to credit approval and payment for all purchases is due thirty (30) days from the date of invoice (or such date as may be specified by Seller’s Credit Department). Unpaid invoices beyond the specified payment date incur interest at the rate of 1.5% per month or the maximum allowable rate under applicable law.
- 3. Shipment; Delivery; Title and Risk of Loss.** All delivery dates are approximate. Seller is not responsible for damages resulting from any delay. Regardless of the manner of shipment, delivery occurs and title and risk of loss or damage pass to Buyer, upon placement of the Products with the shipment carrier at Seller’s facility. Unless otherwise stated, Seller may exercise its judgment in choosing the carrier and means of delivery. No deferment of shipment at Buyers’ request beyond the respective dates indicated will be made except on terms that will indemnify, defend and hold Seller harmless against all loss and additional expense. Buyer shall be responsible for any additional shipping charges incurred by Seller due to Buyer’s acts or omissions.
- 4. Warranty.** Seller warrants that the Products sold hereunder shall be free from defects in material or workmanship for a period of twelve (12) months from the date of delivery or 2,000 hours of normal use, whichever occurs first. All prices are based upon the exclusive limited warranty stated above, and upon the following disclaimer: **DISCLAIMER OF WARRANTY: THIS WARRANTY IS THE SOLE AND ENTIRE WARRANTY PERTAINING TO PRODUCTS PROVIDED. SELLER DISCLAIMS ALL OTHER WARRANTIES, EXPRESS AND IMPLIED, INCLUDING DESIGN, MERCHANTABILITY AND FITNESS FOR A PARTICULAR PURPOSE.**
- 5. Claims; Commencement of Actions.** Buyer shall promptly inspect all Products upon receipt. No claims for shortages will be allowed unless reported to the Seller within ten (10) days of delivery. No other claims against Seller will be allowed unless asserted in writing within thirty (30) days after delivery. Buyer shall notify Seller of any alleged breach of warranty within thirty (30) days after the date the defect is or should have been discovered by Buyer. Any claim or action against Seller based upon breach of contract or any other theory, including tort, negligence, or otherwise must be commenced within twelve (12) months from the date of the alleged breach or other alleged event, without regard to the date of discovery.
- 6. LIMITATION OF LIABILITY.** IN THE EVENT OF A BREACH OF WARRANTY, SELLER WILL, AT ITS OPTION, REPAIR OR REPLACE A DEFECTIVE PRODUCT, OR REFUND THE PURCHASE PRICE WITHIN A REASONABLE PERIOD OF TIME. **IN NO EVENT IS SELLER LIABLE FOR ANY SPECIAL, INDIRECT, INCIDENTAL OR CONSEQUENTIAL DAMAGES ARISING OUT OF, OR AS THE RESULT OF, THE SALE, DELIVERY, NON-DELIVERY, SERVICING, USE OR LOSS OF USE OF THE PRODUCTS OR ANY PART THEREOF, OR FOR ANY CHARGES OR EXPENSES OF ANY NATURE INCURRED WITHOUT SELLER’S WRITTEN CONSENT, WHETHER BASED IN CONTRACT, TORT OR OTHER LEGAL THEORY. IN NO EVENT SHALL SELLER’S LIABILITY UNDER ANY CLAIM MADE BY BUYER EXCEED THE PURCHASE PRICE OF THE PRODUCTS.**
- 7. User Responsibility.** The user, through its own analysis and testing, is solely responsible for making the final selection of the system and Product and assuring that all performance, endurance, maintenance, safety and warning requirements of the application are met. The user must analyze all aspects of the application and follow applicable industry standards and Product information. If Seller provides Product or system options based upon data or specifications provided by the user, the user is responsible for determining that such data and specifications are suitable and sufficient for all applications and reasonably foreseeable uses of the Products or systems.
- 8. Loss to Buyer’s Property.** Any designs, tools, patterns, materials, drawings, confidential information or equipment furnished by Buyer or any other items which become Buyer’s property, will be considered obsolete and may be destroyed by Seller after two (2) consecutive years have elapsed without Buyer ordering the items manufactured using such property. Seller shall not be responsible for any loss or damage to such property while it is in Seller’s possession or control.
- 9. Special Tooling.** A tooling change may be imposed for any special tooling, including without limitation, dies, fixtures, molds and patterns, acquired to manufacture Products. Such special tooling shall be and remain Seller’s property notwithstanding payment of any charges by Buyer. In no event will Buyer acquire any interest in apparatus belonging to Seller which is utilized in the manufacture of the Products, even if such apparatus has been specially converted or adapted for such manufacture and notwithstanding any charges paid by Buyer. Unless otherwise agreed, Seller has the right to alter, discard or otherwise dispose of any special tooling or other property in its sole discretion at any time.
- 10. Buyer’s Obligation; Rights of Seller.** To secure payment of all sums due or otherwise, Seller retains a security interest in all Products delivered to Buyer and this agreement is deemed to be a Security Agreement under the Uniform Commercial Code. Buyer authorizes Seller as its attorney to execute and file on Buyer’s behalf all documents Seller deems necessary to perfect its security interest.
- 11. Improper Use and Indemnity.** Buyer shall indemnify, defend, and hold Seller harmless from any losses, claims, liabilities, damages, lawsuits, judgments and costs

- (including attorney fees and defense costs), whether for personal injury, property damage, patent, trademark or copyright infringement or any other claim, brought by or incurred by Buyer, Buyer’s employees, or any other person, arising out of: (a) improper selection, application, design, specification or other misuse of Products purchased by Buyer from Seller; (b) any act or omission, negligent or otherwise, of Buyer; (c) Seller’s use of patterns, plans, drawings, or specifications furnished by Buyer to manufacture Products; or (d) Buyer’s failure to comply with these terms and conditions. Seller shall not indemnify Buyer under any circumstance except as otherwise provided.
- 12. Cancellations and Changes.** Buyer may not cancel or modify or cancel any order for any reason, except with Seller’s written consent and upon terms that will indemnify, defend and hold Seller harmless against all direct, incidental and consequential loss or damage. Seller may change Product features, specifications, designs and availability.
- 13. Limitation on Assignment.** Buyer may not assign its rights or obligations under this agreement without the prior written consent of Seller.
- 14. Force Majeure.** Seller does not assume the risk and is not liable for delay or failure to perform any of Seller’s obligations by reason of events or circumstances beyond its reasonable control (hereinafter “Events of Force Majeure”). Events of Force Majeure shall include without limitation: accidents, strikes or labor disputes, acts of any government or government agency, acts of nature, delays or failures in delivery from carriers or suppliers, shortages of materials, or any other cause beyond Seller’s reasonable control.
- 15. Waiver and Severability.** Failure to enforce any provision of this agreement will not invalidate that provision; nor will any such failure prejudice Seller’s right to enforce that provision in the future. Invalidation of any provision of this agreement by legislation or other rule of law shall not invalidate any other provision herein. The remaining provisions of this agreement will remain in full force and effect.
- 16. Termination.** Seller may terminate this agreement for any reason and at any time by giving Buyer thirty (30) days prior written notice. Seller may immediately terminate this agreement, in writing, if Buyer: (a) breaches any provision of this agreement (b) appoints a trustee, receiver or custodian for all or any part of Buyer’s property (c) files a petition for relief in bankruptcy on its own behalf, or one if filed by a third party (d) makes an assignment for the benefit of creditors; or (e) dissolves its business or liquidates all or a majority of its assets.
- 17. Governing Law.** This agreement and the sale and delivery of all Products are deemed to have taken place in, and shall be governed and construed in accordance with, the laws of the State of Ohio, as applicable to contracts executed and wholly performed therein and without regard to conflicts of laws principles. Buyer irrevocably agrees and consents to the exclusive jurisdiction and venue of the courts of Cuyahoga County, Ohio with respect to any dispute, controversy or claim arising out of or relating to this agreement.
- 18. Indemnity for Infringement of Intellectual Property Rights.** Seller is not liable for infringement of any patents, trademarks, copyrights, trade dress, trade secrets or similar rights except as provided in this Section. Seller will defend and indemnify Buyer against allegations of infringement of U.S. patents, U.S. trademarks, copyrights, trade dress and trade secrets (“Intellectual Property Rights”). Seller will defend at its expense and will pay the cost of any settlement or damages awarded in an action brought against Buyer based on an allegation that a Product sold pursuant to this agreement infringes the Intellectual Property Rights of a third party. Seller’s obligation to defend and indemnify Buyer is contingent on Buyer notifying Seller within ten (10) days after Buyer becomes aware of such allegations of infringement, and Seller having sole control over the defense of any allegations or actions including all negotiations for settlement or compromise. If a Product is subject to a claim that it infringes the Intellectual Property Rights of a third party, Seller may, at its sole expense and option, procure for Buyer the right to continue using the Product, replace or modify the Product so as to make it noninfringing, or offer to accept return of the Product and refund the purchase price less a reasonable allowance for depreciation. Notwithstanding the foregoing, Seller is not liable for claims of infringement based on information provided by Buyer, or directed to Products delivered hereunder for which the designs are specified in whole or part by Buyer, or infringements resulting from the modification, combination or use in a system of any Product sold hereunder. The foregoing provisions of this Section constitute Seller’s sole and exclusive liability and Buyer’s sole and exclusive remedy for infringement of Intellectual Property Rights.
- 19. Entire Agreement.** This agreement contains the entire agreement between the Buyer and Seller and constitutes the final, complete and exclusive expression of the terms of sale. All prior or contemporaneous written or oral agreements or negotiations with respect to the subject matter are herein merged. The terms contained herein may not be modified unless in writing and signed by an authorized representative of Seller.
- 20. Compliance with Laws.** Buyer agrees to comply with all applicable laws, regulations, and industry and professional standards of care, including those of the United Kingdom, the United States of America, and the country or countries in which Buyer may operate, including without limitation the U. K. Bribery Act, the U.S. Foreign Corrupt Practices Act (“FCPA”), the U.S. Anti-Kickback Act (“Anti-Kickback Act”) and the U.S. Food Drug and Cosmetic Act (“FDCA”), each as currently amended, and the rules and regulations promulgated by the U.S. Food and Drug Administration (“FDA”), and agrees to indemnify and hold harmless Seller from the consequences of any violation of such provisions by Buyer, its employees or agents. Buyer acknowledges that it is familiar with the provisions of the U. K. Bribery Act, the FCPA, the FDA, and the Anti-Kickback Act, and certifies that Buyer will adhere to the requirements thereof. In particular, Buyer represents and agrees that Buyer will not make any payment or give anything of value, directly or indirectly to any governmental official, any foreign political party or official thereof, any candidate for foreign political office, or any commercial entity or person, for the purpose of influencing such person to purchase Products or otherwise benefit the business of Seller.



For inventory, lead time, and kit lookup, visit www.pdnplu.com

Part Number Index
Safety Guide
Offer of Sale
Part Number Index, Safety Guide, Offer of Sale

