



## 2/2-way Solenoid Valve for gases, DVGW approved

- Direct acting solenoid valve
- Switches without differential pressure
- Gauze filter on inlet
- Brass body

Type 0285 can be combined with...



**Type 2508**

Cable plug



**Type 1078**

Timer unit  
(only for AC version)

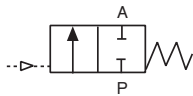


**Type 2511**

ASI cable plug

The direct acting plunger solenoid valve Type 0285 is normally closed by spring force. During switching the core of the seal is tightened against the spring force, and opens the valve. The inlet has a gauze filter fitted. The valve is delivered as standard with a bracket fitment. Type 0285 is best suited to flammable gases.

### Circuit function A



2/2-way valve,  
normally closed  
by spring force

Technical data	
<b>Orifice</b>	DN 6-12 mm
<b>Body material</b>	Brass
<b>Internal parts of valve</b>	Stainless steel 1.4105, 1.4571
<b>Seal material</b>	NBR, FKM
<b>Media</b>	flammable mediums like energy gas, natural gas, liquid gas, acetylene, hydrogen as NBR, however with more volatile substances, e.g. solvents, hydrosulphide etc.
NBR	
FKM	
<b>Medium temperature</b>	
NBR	-15 to +90 °C
FKM	-15 to +90 °C
<b>Ambient temperature</b>	-15 to +60 °C
<b>Port connection</b>	Thread R 1/4 and R 1/2 acc. to DIN 2999
<b>Special feature</b>	Gauze filter in inlet
<b>Operating voltage</b>	24 V DC 220-230 V/50 Hz 220-230/UC
<b>Voltage tolerance</b>	±10%
<b>Cycle rate</b>	ca. 1000/min
<b>Duty cycle</b>	100% continuous operation
<b>Electrical connection</b>	Cable plug for cable Ø 7mm (included in delivery)
<b>Protection class</b>	IP 65 with cable plug
<b>DVGW-Approval</b>	Group 2, Class A
<b>Test regulations</b>	DIN EN 161
<b>Installation</b>	As required, preferably with actuator upright
<b>Mounting</b>	with retaining bracket

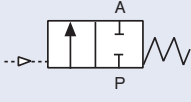
Technical data, *continued*

Orifice [mm]	Port connection acc. to 2999	Kv value water [m <sup>3</sup> /h]	Pressure range		Response times		Power consumption			Weight [kg]
			AC [bar]	DC/UC [bar]	Opening [ms]	Closing [ms]	AC Inrush [VA]	AC Hold [VA/W]	DC [W]	
6	R 1/4, 1/2	0.7	3.5	3.5	10 to 20	20 to 30	30 to 75	16/10	12	0.7
12	R 1/2	1.8	–	0.2						0.7
12	R 1/2	1.8	0.5	–						0.7

<b>Flow rate</b> Kv value water [m <sup>3</sup> /h]	measured at +20°C, 1 bar pressure at valve inlet and free outlet
<b>Pressure values [bar]</b>	gauge pressures with respect to the prevailing atmospheric pressure
<b>Response times [ms]</b> Opening Closing	measured with water at valve outlet at 6 bar and +20°C pressure build-up 0 to 90% pressure decay 100 to 10%

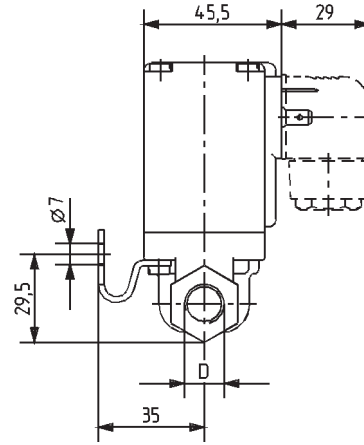
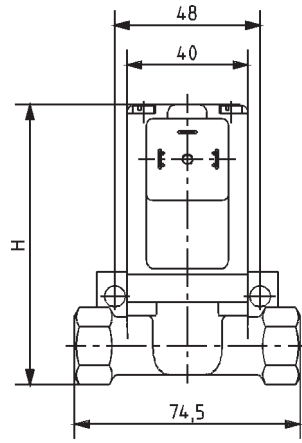
## Ordering chart for valves (other versions on request)

All valves with brass body, and with cable plugs. Fitting bracket included in delivery unless otherwise stated.

Circuit function	Orifice [mm]	Port connection DIN 2999	Kv value water [m <sup>3</sup> /h]	Air flow rate at Pmax [l/min]	Pressure range [bar]	Bemerkung	Seal material	Voltage / Frequency [V/Hz]	Item no.		
<b>A</b> 2/2-way valve NC 	6.0	R 1/4	0.7	41	0 - 3.5		NBR	230/50	041 910		
					0 - 3.5			24/DC	047 782		
		0 - 3.5		230/50	057 044						
		0 - 3.5	without fitting bracket	230/50	072 896						
		0 - 3.5		230/UC	043 765						
		0 - 3.5	low-noise	230/UC	088 689						
		0 - 3.5		FKM	230/50	055 012					
		0 - 2.0			230/UC	047 750					
		0 - 0.2		R 1/2	1.8	33	0 - 0.2		NBR	24/DC	023 552
		0 - 0.5					230/50	043 582			
		0 - 0.5	without fitting bracket				230/50	043 757			
		0 - 0.2					230/UC	020 807			
		0 - 0.2	low-noise				230/UC	021 510			
		0 - 0.5					FKM	230/50	067 200		
0 - 0.2		230/UC	057 691								
0 - 0.2	low-noise										
0 - 0.2	low-noise										

▪ All universal current with integrated rectifier

## Dimensions [mm]



Port connection	H
R 1/4	93
R 1/2	95.5

Valve with fitting bracket

To find your nearest Bürkert facility, click on the orange box →

[www.burkert.com](http://www.burkert.com)