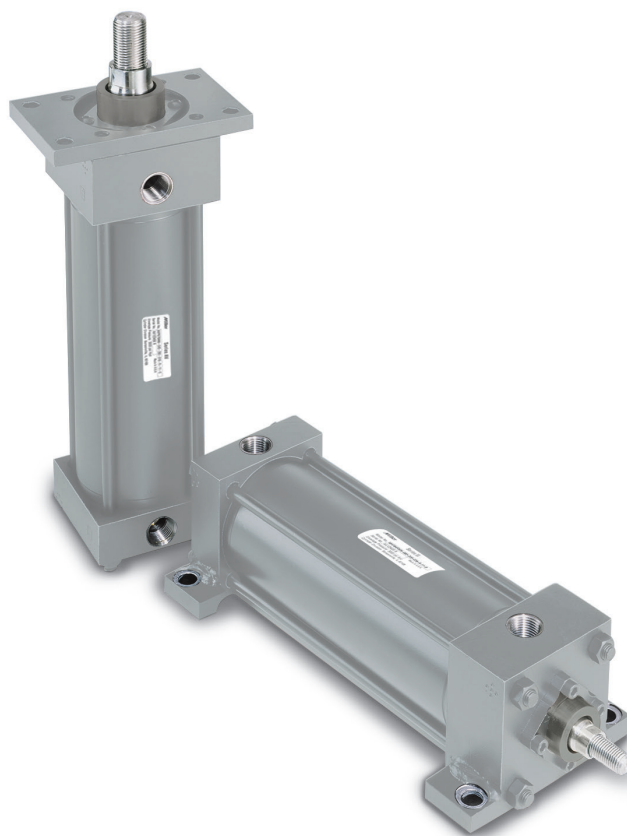


# Miller JV Series Medium Duty Hydraulic Cylinders

Catalog M1130-3

August, 2017



**Up to 1000 PSI**  
**Bore Sizes 1" through 8"**  
**18 Mounting Styles**

**AV Series Cylinders**  
Up to 250 PSI Permanently Lubricated



Series AV air cylinders are available in bore sizes from 1-1/2" through 14" and up to 250 PSI operating pressure. Standard NFPA dimensions and proven Miller design features.

**AL4 Series Aluminum Cylinders**  
Up to 250 PSI Permanently Lubricated



Series AL4 air cylinders are available in bore sizes from 1-1/2" through 8" and up to 250 PSI operating pressure.

**VL Series Cylinders**  
Up to 150 PSI



VL Series Cylinders for Valve Actuation feature a removable rod bushing for easy rod seal service. Optional welded or threaded lift eye. Bore sizes from 2" to 24".

**HV2 Series Cylinders**  
3000 PSI



Miller's heavy-duty cylinder line for demanding hydraulic applications. Bore sizes from 1-1/2" to 8".

In line with our policy of continuing product improvement, specifications and information contained in this catalog are subject to change.

Copyright ©2017 by Parker Hannifin Corporation.  
All rights reserved.

PRINTED IN THE U.S.A.

**⚠ WARNING**

**FAILURE OR IMPROPER SELECTION OR IMPROPER USE OF THE PRODUCTS AND/OR SYSTEMS DESCRIBED HEREIN OR RELATED ITEMS CAN CAUSE DEATH, PERSONAL INJURY AND PROPERTY DAMAGE.**

This document and other information from the Parker Hannifin Corporation, its subsidiaries and authorized distributors provide product and/or system options for further investigation by users having expertise. It is important that you analyze all aspects of your application, including consequences of any failure and review the information concerning the product or system in the current product catalog. Due to the variety of operating conditions and applications for these products or systems, the user, through its own analysis and testing, is solely responsible for making the final selection of the products and systems and assuring that all performance, safety and warning requirements of the application are met.

The products described herein, including without limitation, product features, specifications, designs, availability and pricing, are subject to change by Parker Hannifin Corporation and its subsidiaries at any time without notice.

**Offer of Sale**

The items described in this document are hereby offered for sale by Parker Hannifin Corporation, its subsidiaries or its authorized distributors. This offer and its acceptance are governed by provisions stated on a separate page of the document entitled 'Offer of Sale'.

# Miller JV Series Medium-Duty Hydraulic Cylinders

<b>Table of Contents</b>	<b>Page</b>
Specifications, Mounting Styles, Ordering Notes .....	3
Cylinder Features .....	4, 5
1" to 6" Bore Sizes	
Model 72, Side Lug Mount .....	6, 7
Model 74, Side Tap Mount .....	8, 9
Model 61, Head Rectangular Flange Mount .....	10, 11
Model 62, Cap Rectangular Flange Mount .....	12, 13
Model 65, Head Square Flange Mount .....	14, 15
Model 66, Cap Square Flange Mount .....	14, 15
Model 50 Series, Tie Rods Extended Mountings .....	16, 17
Model 81, Head Trunnion Mount .....	18, 19
Model 82, Cap Trunnion Mount .....	20, 21
Model 89, Intermediate Trunnion Mount .....	22, 23
Model 84, Cap Fixed Clevis Mount .....	24, 25
Model 94, Spherical Bearing Mount .....	44
Double Rod End Cylinders .....	28, 29
8" Bore Sizes	
Model 50 Series, Tie Rods Extended Mountings .....	30, 31
Model 63, Head Square Mount .....	30, 31
Model 64, Cap Square Mount .....	30, 31
Model 72, Side Lug Mount .....	32, 33
Model 74, Side Tap Mount .....	32, 33
Model 84, Cap Fixed Clevis Mount .....	34, 35
Models 81, 82, and 89 Trunnion Mountings .....	36, 37
Model 94, Spherical Bearing Mount .....	45
Double Rod End Cylinders .....	38
Linear Alignment Couplers .....	39
Cylinder Accessories .....	40, 41
Spherical Bearing Mounting .....	42, 43, 44, 45
Spherical Bearing Mounting Accessories .....	46
Push and Pull Forces .....	48
Operating Fluids and Temperature Range .....	49
Cylinder Pressure Ratings .....	50
Ports .....	51
Stroke Data .....	52
Tie Rod Supports .....	52
Stroke Adjusters .....	52
Thrust Key Mountings .....	52
Stop Tube, Mounting Classes .....	53
Piston Rod Selection Chart and Data .....	54
Parts List and Seal Kits .....	55-59
How to Select a Miller Cylinder .....	60
How to Order .....	61
Safety Guidelines .....	62
Storage, Installation, Mounting Recommendations, and Trouble Shooting .....	63
Offer of Sale .....	IBC

# Miller Fluid Power JV Series Medium-Duty Hydraulic Cylinder

When the job calls for reliable, medium-duty performance, specify JV Series. A 100,000 psi yield strength chrome-plated, case-hardened piston rod. A 125,000 psi yield strength rod-end stud with rolled threads. 100,000 psi yield strength tie rods. With construction like this, it's no wonder Miller Fluid Power's JV Series is rated up to 1000 psi hydraulic pressure.

They're truly premium quality cylinders, and to make sure every cylinder is premium quality, we subject each and every one – not just batch samples – to tough inspection and performance tests. See inside for the inside story on all the features that make JV Series the high performance, long lasting choice for all your medium-duty hydraulic applications.

**Note:** Rod diameters over 2 $\frac{1}{2}$ " will use a threaded rod bushing.



# Miller JV Series Medium-Duty Hydraulic Cylinders

Specifications/  
Mountings

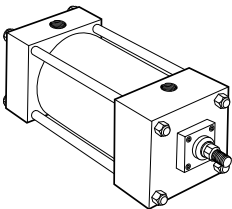
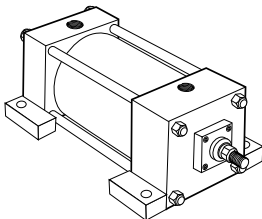
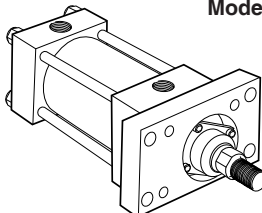
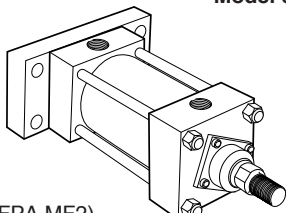
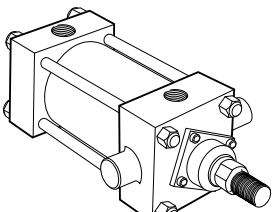
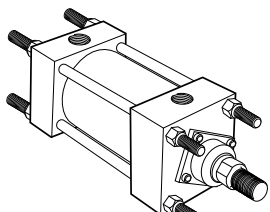
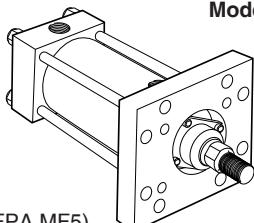
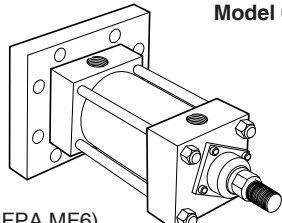
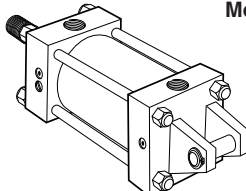
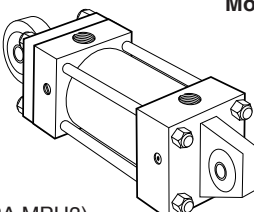
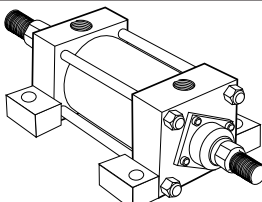
## Standard Specifications

- Medium-Duty Service – ANSI/(NFPA) T3.6.7R2-1996 Specifications and Mounting Dimension Standards
- Standard Construction – Square Head – Tie Rod Design
- Nominal Pressure – 1000 PSI Dependent on Bore Size
- Standard Fluid – Hydraulic Oil
- Standard Temperature – -10° F. to +165°F.\*\*
- Bore Sizes – 1" through 8"
- Piston Rod Diameters – 1/2" through 5/2"

- Mounting Styles – 18 standard styles at various application ratings
- Strokes – Available in any practical stroke length
- Cushions – Optional at either end or both ends of stroke. "Float Check" at cap end.
- Rod Ends – Three Standard Choices – Specials to Order

*In line with our policy of continuing product improvement, specifications in this catalog are subject to change.*

## Mounting Styles and Ordering Notes

Available in all bore and rod combinations.		Available in all bore and rod combinations through 6" bore. 8" bores supplied as Head Square (Model 63) and Cap Square (Model 64) mounts.																																																																																																																																			
<p>Side Tap <b>Model 74</b></p>  <p>(NFPA MS4)</p>	<p>Side Lug <b>Model 72</b></p>  <p>(NFPA MS2)</p>	<p>Head Rectangular Flange <b>Model 61</b></p>  <p>(NFPA MF1)</p>	<p>Cap Rectangular Flange <b>Model 62</b></p>  <p>(NFPA MF2)</p>																																																																																																																																		
<p>Trunnion Mounts <b>Head Model 81</b> <b>Cap Model 82</b> <b>Intermediate Model 83</b></p>  <p>(HEAD NFPA MT1) (CAP NFPA MT2) (INTERMEDIATE NFPA MT4)</p>	<p>Tie Rods Extended <b>Both Ends Model 51</b> <b>Cap End Model 52</b> <b>Head End Model 53</b></p>  <p>(BOTH ENDS NFPA MX1) (CAP END NFPA MX2) (HEAD END NFPA MX3)</p>	<p>Head Square Flange <b>Model 65</b></p>  <p>(NFPA MF5)</p>	<p>Cap Square Flange <b>Model 66</b></p>  <p>(NFPA MF6)</p>																																																																																																																																		
<p>Cap Fixed Clevis <b>Model 84</b></p>  <p>Pivot Pin Included (NFPA MP1)</p>		<table border="1"> <thead> <tr> <th rowspan="2">Rod Bushing Construction</th> <th>Bore</th> <th>Rod Dia.</th> <th>51, 52, 53, 62, 66, 72, 74, 81, 82, 84, 89, 94</th> <th>61 65</th> <th>63 64</th> </tr> </thead> <tbody> <tr> <td>1</td> <td>1/2, 5/8</td> <td></td> <td>R</td> <td>R</td> <td>N/A</td> </tr> <tr> <td rowspan="2">1 1/2</td> <td>5/8</td> <td></td> <td>B</td> <td>R</td> <td>N/A</td> </tr> <tr> <td>1</td> <td></td> <td>R</td> <td>R</td> <td>N/A</td> </tr> <tr> <td rowspan="3">B = Bolted Bushing R = Retainer Held Bushing</td> <td rowspan="3">2</td> <td>5/8</td> <td>B</td> <td>B</td> <td>N/A</td> </tr> <tr> <td>1</td> <td>B</td> <td>R</td> <td>N/A</td> </tr> <tr> <td>1 3/8</td> <td>R</td> <td>R</td> <td>N/A</td> </tr> <tr> <td rowspan="3">2 1/2</td> <td>5/8</td> <td></td> <td>B</td> <td>B</td> <td>N/A</td> </tr> <tr> <td>1</td> <td></td> <td>B</td> <td>B</td> <td>N/A</td> </tr> <tr> <td>1 3/8</td> <td></td> <td>R</td> <td>R</td> <td>N/A</td> </tr> <tr> <td rowspan="3">3 1/4</td> <td>1 3/4</td> <td></td> <td>R</td> <td>R</td> <td>N/A</td> </tr> <tr> <td>1</td> <td></td> <td>B</td> <td>B</td> <td>N/A</td> </tr> <tr> <td>1 3/8</td> <td></td> <td>B</td> <td>B</td> <td>N/A</td> </tr> <tr> <td rowspan="3">4</td> <td>1 3/4, 2</td> <td></td> <td>B</td> <td>R</td> <td>N/A</td> </tr> <tr> <td>1, 1 3/8</td> <td></td> <td>B</td> <td>B</td> <td>N/A</td> </tr> <tr> <td>1 3/4, 2</td> <td></td> <td>B</td> <td>R</td> <td>N/A</td> </tr> <tr> <td rowspan="3">5</td> <td>2 1/2</td> <td></td> <td>B</td> <td>R</td> <td>N/A</td> </tr> <tr> <td>1 - 2</td> <td></td> <td>B</td> <td>B</td> <td>N/A</td> </tr> <tr> <td>2 1/2</td> <td></td> <td>B</td> <td>R</td> <td>N/A</td> </tr> <tr> <td rowspan="3">6</td> <td>3, 3 1/2</td> <td></td> <td>R</td> <td>R</td> <td>N/A</td> </tr> <tr> <td>1 3/8 - 2 1/2</td> <td></td> <td>B</td> <td>B</td> <td>N/A</td> </tr> <tr> <td>3, 4</td> <td></td> <td>R</td> <td>R</td> <td>N/A</td> </tr> <tr> <td rowspan="2">8*</td> <td>1 3/8 - 4 1/2</td> <td></td> <td>B</td> <td>N/A</td> <td>B</td> </tr> <tr> <td>5, 5 1/2</td> <td></td> <td>B</td> <td>N/A</td> <td>B</td> </tr> </tbody> </table> <p>*61, 62, 65 and 66 not available in this bore size. Note: See "How to Order" page for bushing retainer dimensions.</p>				Rod Bushing Construction	Bore	Rod Dia.	51, 52, 53, 62, 66, 72, 74, 81, 82, 84, 89, 94	61 65	63 64	1	1/2, 5/8		R	R	N/A	1 1/2	5/8		B	R	N/A	1		R	R	N/A	B = Bolted Bushing R = Retainer Held Bushing	2	5/8	B	B	N/A	1	B	R	N/A	1 3/8	R	R	N/A	2 1/2	5/8		B	B	N/A	1		B	B	N/A	1 3/8		R	R	N/A	3 1/4	1 3/4		R	R	N/A	1		B	B	N/A	1 3/8		B	B	N/A	4	1 3/4, 2		B	R	N/A	1, 1 3/8		B	B	N/A	1 3/4, 2		B	R	N/A	5	2 1/2		B	R	N/A	1 - 2		B	B	N/A	2 1/2		B	R	N/A	6	3, 3 1/2		R	R	N/A	1 3/8 - 2 1/2		B	B	N/A	3, 4		R	R	N/A	8*	1 3/8 - 4 1/2		B	N/A	B	5, 5 1/2		B	N/A	B
Rod Bushing Construction	Bore	Rod Dia.	51, 52, 53, 62, 66, 72, 74, 81, 82, 84, 89, 94	61 65	63 64																																																																																																																																
	1	1/2, 5/8		R	R	N/A																																																																																																																															
1 1/2	5/8		B	R	N/A																																																																																																																																
	1		R	R	N/A																																																																																																																																
B = Bolted Bushing R = Retainer Held Bushing	2	5/8	B	B	N/A																																																																																																																																
		1	B	R	N/A																																																																																																																																
		1 3/8	R	R	N/A																																																																																																																																
2 1/2	5/8		B	B	N/A																																																																																																																																
	1		B	B	N/A																																																																																																																																
	1 3/8		R	R	N/A																																																																																																																																
3 1/4	1 3/4		R	R	N/A																																																																																																																																
	1		B	B	N/A																																																																																																																																
	1 3/8		B	B	N/A																																																																																																																																
4	1 3/4, 2		B	R	N/A																																																																																																																																
	1, 1 3/8		B	B	N/A																																																																																																																																
	1 3/4, 2		B	R	N/A																																																																																																																																
5	2 1/2		B	R	N/A																																																																																																																																
	1 - 2		B	B	N/A																																																																																																																																
	2 1/2		B	R	N/A																																																																																																																																
6	3, 3 1/2		R	R	N/A																																																																																																																																
	1 3/8 - 2 1/2		B	B	N/A																																																																																																																																
	3, 4		R	R	N/A																																																																																																																																
8*	1 3/8 - 4 1/2		B	N/A	B																																																																																																																																
	5, 5 1/2		B	N/A	B																																																																																																																																
<p>Cap Fixed Eye with Spherical Bearing <b>Model 94</b></p>  <p>(NFPA MPU3)</p>		<p>Double End Construction</p>  <p>Available in all bore and rod combinations in the following models: 51, 53, 72, 74, 81, 89 and 61 (1"-6"). 65 (1"-6") and 63 (8").</p>																																																																																																																																			

# Miller JV Series Medium-Duty Hydraulic Cylinders

## The inside story... Why JV Series is your best choice in medium-duty hydraulic cylinders.

**Secondary Seal** – Double-Service Wiperseal™ – acts as a secondary pressure seal on the extend stroke and cleans the rod on the return stroke.

**Piston Rod Stud** – Furnished on 2" diameter rods and smaller when standard style 2 rod end threads are required or on 1 3/8" diameter rods and smaller when style 5 threads are required. Also available in 2 times the catalog "A" dimension length. Studs have rolled threads and are made from high strength steel. Anaerobic adhesive is used to permanently lock the stud to the piston rod.

**Bolted Bushing** – Assures true concentricity and allows removal without tie rod disassembly.

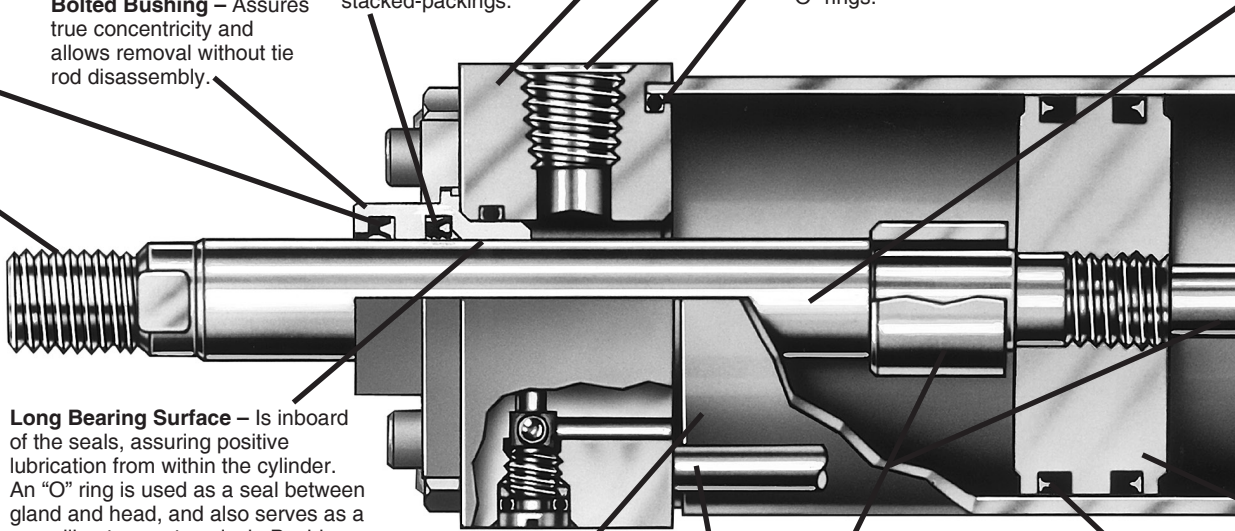
**Long Bearing Surface** – Is inboard of the seals, assuring positive lubrication from within the cylinder. An "O" ring is used as a seal between gland and head, and also serves as a prevailing torque-type lock. Bushing material is nodular iron with flash tin plating through 2 1/2" dia. rods. 3" and larger bushings are bronze.

**Primary Seal** – "Tuffseal" Special polyurethane seal is a proven leakproof design, which incorporates the pressure-compensated uni-directional characteristics of a "U CUP" with the multiple edge sealing effectiveness of compression-type stacked-packings.

**Steel Head** – Bored and grooved to provide concentricity for mating parts.

**Ports** – NPTF ports are standard. SAE ports available.

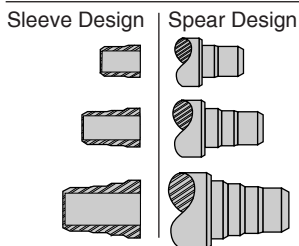
**End Seals** – Pressure-actuated cylinder body-to-head and cap "O" rings.



**The Cylinder Tube** – Heavy-wall steel tubing, honed to a micro finish bore.

**Adjustable Floating Cushions** – Cushions are optional and can be supplied at head end, cap end, or both ends without change in envelope or mounting dimensions.

**High Strength Tie Rods** – Made from 100,000 psi minimum yield steel with rolled threads for added strength.



### Optional Adjustable Floating Stepped Cushions

**Adjustable Floating Stepped Cushions** – Optional at extra charge. For faster cycle time and increased productivity – for maximum performance – economical and flexible for even the most demanding applications – reduces shock and machine noise – lower maintenance costs – can be supplied at head, cap or both ends.

## Adjustable floating cushions

Cushions are optional, and can be supplied at head end, cap end, or both ends without change in envelope or mounting dimensions. Cushions are adjustable.

The JV Series cylinder design incorporates the longest cushion plungers that can be provided in the standard envelope without decreasing the rod bearing and piston bearing lengths.

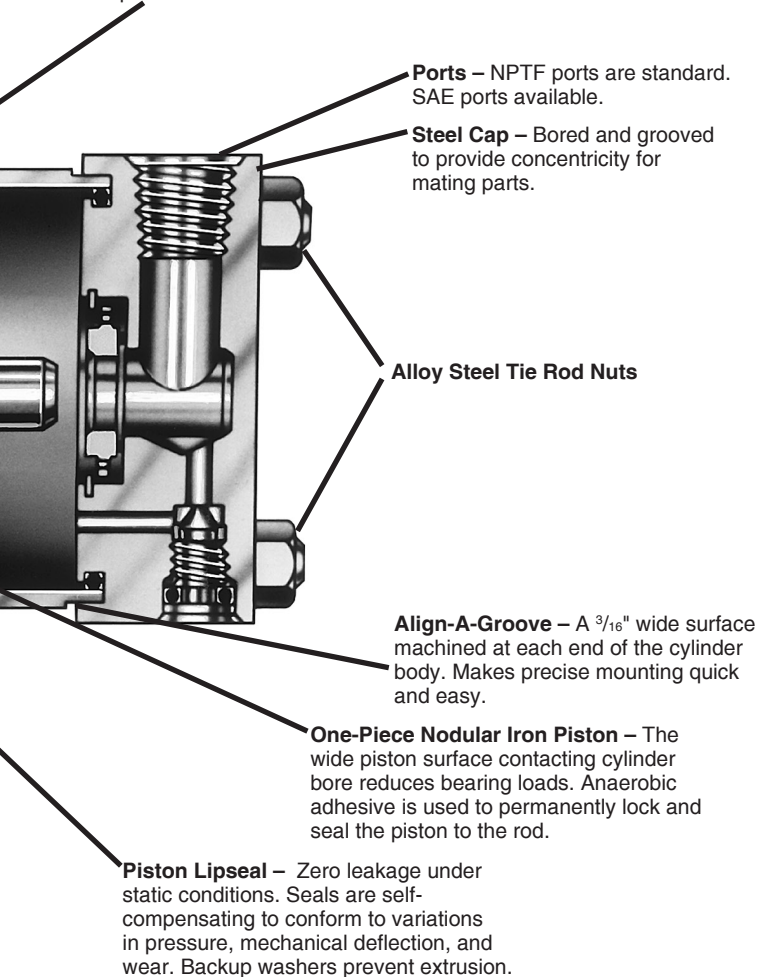
- (1) When a cushion is specified at the head end:
  - a. A self-centering plunger is supplied on the piston rod assembly.
  - b. A needle valve is provided that is flush with the side of the head when wide open. It may be identified by the fact that it is socket-keyed. It is located on side number 2 in all mountings except 81, 82, and 89. In these models it is located on side number 3.
  - c. A springless check valve is provided that is also flush with the side of the head and is mounted on the face opposite the needle valve except on

models 81, 82, and 89 where it is mounted next to the needle valve. It may be identified by the fact that it is slotted.

- d. The check and needle valves are interchangeable in the head.
- (2) When a cushion is specified at the cap end:
  - a. A cushion plunger is provided on the piston rod assembly.
  - b. A "Float Check" self-centering bushing is provided which incorporates a large flow check valve for fast "out-stroke" action.
  - c. A socket-keyed needle valve is provided that is flush with the side of the cap when wide open. It is located on side number 2 in all mountings except 81, 82, and 89. In these models it is located on side number 3.

# Miller JV Series Medium-Duty Hydraulic Cylinders

**Piston Rod** – Medium carbon steel, induction case-hardened to 54Rc, hard chrome-plated and polished to 10 RMS finish. Piston rods are made from 90,000 to 100,000 psi minimum yield material in 1/2" through 4" diameters. Larger diameters vary between 57,000 and 90,000 psi minimum yield material, depending on rod diameter. The piston thread equals the catalog style #2 rod end thread for each rod diameter to assure proper piston-to-rod thread strength. Two wrench flats are provided for rod end attachment.



**Ports** – NPTF ports are standard. SAE ports available.

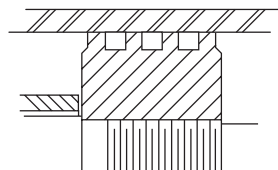
**Steel Cap** – Bored and grooved to provide concentricity for mating parts.

**Alloy Steel Tie Rod Nuts**

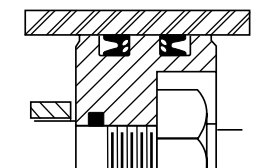
**Align-A-Groove** – A 3/16" wide surface machined at each end of the cylinder body. Makes precise mounting quick and easy.

**One-Piece Nodular Iron Piston** – The wide piston surface contacting cylinder bore reduces bearing loads. Anaerobic adhesive is used to permanently lock and seal the piston to the rod.

**Piston Lipseal** – Zero leakage under static conditions. Seals are self-compensating to conform to variations in pressure, mechanical deflection, and wear. Backup washers prevent extrusion.



**Step Cut Iron Piston Rings** are optional.



**Piston with Retainer Nut** – optional at extra charge.

**Note:** Threaded Rod Bushings are supplied on cylinders with rod diameters over 2 1/2".

## Cushion Length

Cylinder Bore (Inches)	Rod Diameter* (Inches)	Cushion Length (Inches)	
		Head*	Cap
1	1/2	7/8	3/4
	5/8	7/8	3/4
1 1/2	5/8	7/8	13/16
	1	7/8	13/16
2	5/8	7/8	13/16
	1 3/8	7/8	13/16
2 1/2	1	7/8	13/16
	1 3/4	7/8	13/16
3 1/4	1	1 1/8	1
	2	13/16	1
4	1 3/8	1 1/8	1
	2 1/2	13/16	1

Cylinder Bore (Inches)	Rod Diameter* (Inches)	Cushion Length (Inches)	
		Head*	Cap
5	1 3/4	1 1/8	1
	3 1/2	13/16	1
6	1 3/4	1 3/8	1 1/4
	4	1 1/16	1 1/4
8	2	1 1/16	1 1/4
	5 1/2	15/16	1 1/4

\*Head end cushion for rod diameters not listed have cushion lengths within the limits shown.

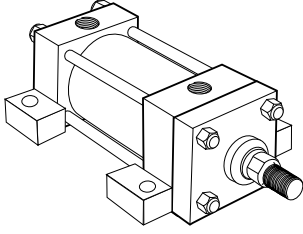
# Miller JV Series Medium-Duty Hydraulic Cylinders

Side Lug Mount –  
1" to 6" Bore Sizes

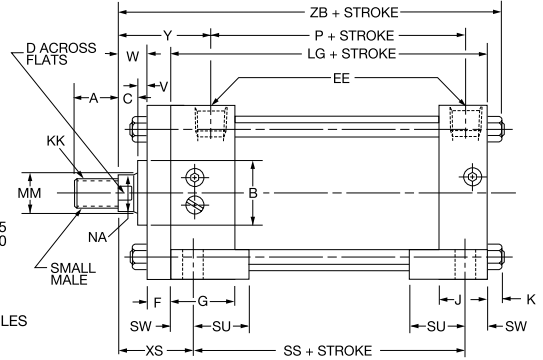
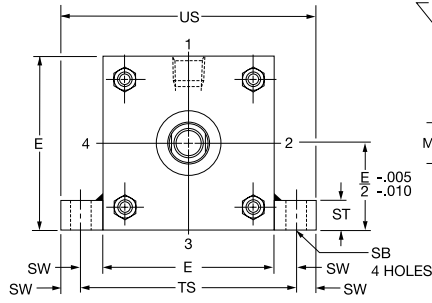
## Side Lug Mount

Model 72

1", 1 1/2", 2", 2 1/2", 5" and 6" Bore  
With Maximum Oversize Rods



## Retainer Held Bushing

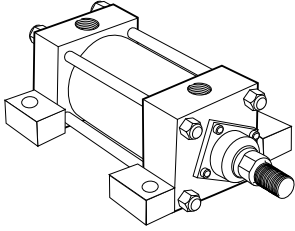


**Before determining dimensions:** See chart on page 3 for cylinder rod combinations that have removable bushings.

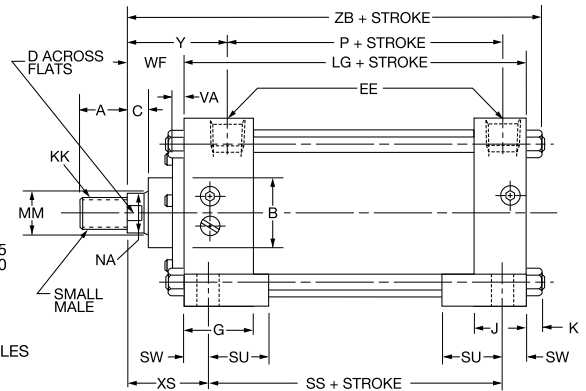
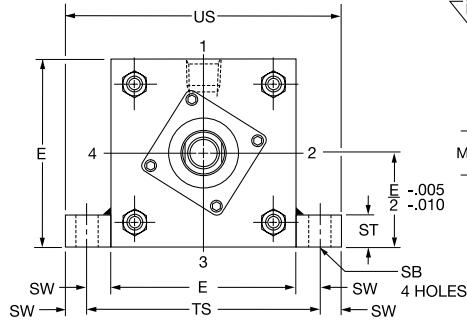
## Side Lug Mount

Model 72

1 1/2" - 6" Bore



## Bolted Bushing





# Miller JV Series Medium-Duty Hydraulic Cylinders

Side Lug Mount –  
1" to 6" Bore Sizes

Table 1—Envelope and Mounting Dimensions

Bore	E	EE		F	G	J	K	LG	P	(Bolt) SB*	SS	ST	SU	SW	TS	US
		NPTF <sup>o</sup>	SAE*													
1 $\frac{1}{2}$	2	$\frac{3}{8}$ †	6#	$\frac{3}{8}$	1 $\frac{1}{2}$	1	$\frac{3}{16}$	3 $\frac{1}{2}$	2 $\frac{1}{8}$	$\frac{1}{4}$	2 $\frac{7}{8}$	$\frac{5}{16}$	$\frac{3}{4}$	$\frac{5}{16}$	2 $\frac{1}{8}$	2 $\frac{3}{4}$
1 $\frac{1}{2}$	2	$\frac{3}{8}$ †	6#	$\frac{3}{8}$	1 $\frac{1}{2}$	1	$\frac{3}{16}$	3 $\frac{5}{8}$	2 $\frac{1}{4}$	$\frac{3}{8}$	2 $\frac{7}{8}$	$\frac{1}{2}$	$\frac{15}{16}$	$\frac{3}{8}$	2 $\frac{3}{4}$	3 $\frac{1}{2}$
2	2 $\frac{1}{2}$	$\frac{3}{8}$ †	6	$\frac{3}{8}$	1 $\frac{1}{2}$	1	$\frac{5}{16}$	3 $\frac{5}{8}$	2 $\frac{1}{4}$	$\frac{3}{8}$	2 $\frac{7}{8}$	$\frac{1}{2}$	$\frac{15}{16}$	$\frac{3}{8}$	3 $\frac{1}{4}$	4
2 $\frac{1}{2}$	3	$\frac{3}{8}$ †	6	$\frac{3}{8}$	1 $\frac{1}{2}$	1	$\frac{5}{16}$	3 $\frac{3}{4}$	2 $\frac{3}{8}$	$\frac{3}{8}$	3	$\frac{1}{2}$	$\frac{15}{16}$	$\frac{3}{8}$	3 $\frac{3}{4}$	4 $\frac{1}{2}$
3 $\frac{1}{4}$	3 $\frac{3}{4}$	$\frac{1}{2}$	10	—	1 $\frac{3}{4}$	1 $\frac{1}{4}$	$\frac{3}{8}$	4 $\frac{1}{4}$	2 $\frac{5}{8}$	$\frac{1}{2}$	3 $\frac{1}{4}$	$\frac{3}{4}$	1 $\frac{1}{4}$	$\frac{1}{2}$	4 $\frac{3}{4}$	5 $\frac{3}{4}$
4	4 $\frac{1}{2}$	$\frac{1}{2}$	10	—	1 $\frac{3}{4}$	1 $\frac{1}{4}$	$\frac{3}{8}$	4 $\frac{1}{4}$	2 $\frac{5}{8}$	$\frac{1}{2}$	3 $\frac{1}{4}$	$\frac{3}{4}$	1 $\frac{1}{4}$	$\frac{1}{2}$	5 $\frac{1}{2}$	6 $\frac{1}{2}$
5	5 $\frac{1}{2}$	$\frac{1}{2}$	10	$\frac{5}{8}$	1 $\frac{3}{4}$	1 $\frac{1}{4}$	$\frac{7}{16}$	4 $\frac{1}{2}$	2 $\frac{7}{8}$	$\frac{3}{4}$	3 $\frac{1}{8}$	1	1 $\frac{9}{16}$	$\frac{11}{16}$	6 $\frac{7}{8}$	8 $\frac{1}{4}$
6	6 $\frac{1}{2}$	$\frac{3}{4}$	12	$\frac{3}{4}$	2	1 $\frac{1}{2}$	$\frac{7}{16}$	5	3 $\frac{1}{8}$	$\frac{3}{4}$	3 $\frac{5}{8}$	1	1 $\frac{9}{16}$	$\frac{11}{16}$	7 $\frac{7}{8}$	9 $\frac{1}{4}$

○ NPTF ports will be furnished as standard unless SAE straight thread ports are specified.

\* SAE straight thread ports are indicated by port number.

† On 1 1/2", 2" and 2 1/2" bore sizes the head end (only) pipe thread is not full depth on cylinders with maximum oversize rods. Minimum of 3 full threads available.

■ 1" bore head is 1 3/4" x 1 1/2".

# Straight thread ports. On 1 1/2" bore size an adapter fitting is required on cap end and on head end with maximum oversize rod. (See "Straight Thread Port Adapter" drawing.) Adapters are furnished as standard.

• Mounting holes are 1/16" larger than bolt size listed.

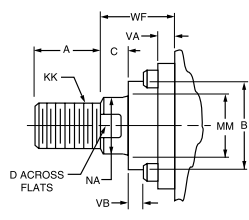
‡ Cushion adjusting needle valve for 1" bore projects beyond sides of head and cap.

Bore	Rod Dia. MM	Thread		Table 2—Rod End Dimensions and Envelope Dimensions Affected by Rod Size												
		Style 5 IM	Style 2 & 4 KK	A	+0.000 -0.002 B	C	D	NA	V	VA	VB	W	WF	XS	Y	ZB
1	$\frac{1}{2}$	$\frac{7}{16}$ -20	$\frac{5}{16}$ -24	$\frac{5}{8}$	.999	$\frac{3}{8}$	$\frac{3}{8}$	$\frac{7}{16}$	$\frac{1}{4}$	—	—	$\frac{5}{8}$	—	1 $\frac{5}{16}$	1 $\frac{5}{16}$	4 $\frac{11}{16}$
	$\frac{5}{8}$	$\frac{1}{2}$ -20	$\frac{7}{16}$ -20	$\frac{3}{4}$	1.124	$\frac{3}{8}$	$\frac{1}{2}$	$\frac{9}{16}$	$\frac{1}{4}$	—	—	$\frac{5}{8}$	—	1 $\frac{5}{16}$	1 $\frac{5}{16}$	4 $\frac{11}{16}$
1 $\frac{1}{2}$	$\frac{1}{2}$	$\frac{7}{16}$ -20	$\frac{3}{4}$	1.124	$\frac{3}{8}$	$\frac{1}{2}$	$\frac{9}{16}$	—	$\frac{1}{4}$	$\frac{3}{16}$	—	1	—	1 $\frac{3}{8}$	1 $\frac{5}{16}$	4 $\frac{7}{8}$
	1	$\frac{7}{8}$ -14	$\frac{3}{4}$ -16	1 $\frac{1}{8}$	1.499	$\frac{1}{2}$	$\frac{7}{8}$	$\frac{15}{16}$	$\frac{1}{2}$	—	—	1	—	1 $\frac{3}{4}$	2 $\frac{5}{16}$	5 $\frac{1}{4}$
2	$\frac{5}{8}$	$\frac{1}{2}$ -20	$\frac{7}{16}$ -20	$\frac{3}{4}$	1.124	$\frac{3}{8}$	$\frac{1}{2}$	$\frac{9}{16}$	—	$\frac{1}{4}$	$\frac{3}{16}$	—	1	1 $\frac{3}{8}$	1 $\frac{5}{16}$	4 $\frac{5}{16}$
	1 $\frac{1}{8}$	1 $\frac{1}{4}$ -12	1-14	1 $\frac{5}{8}$	1.999	$\frac{5}{8}$	1 $\frac{1}{8}$	1 $\frac{5}{16}$	$\frac{5}{8}$	—	—	1 $\frac{1}{4}$	—	2	2 $\frac{9}{16}$	5 $\frac{9}{16}$
2 $\frac{1}{2}$	1	$\frac{7}{8}$ -14	$\frac{3}{4}$ -16	1 $\frac{1}{8}$	1.499	$\frac{1}{2}$	$\frac{7}{8}$	$\frac{15}{16}$	—	$\frac{1}{4}$	$\frac{3}{8}$	—	1 $\frac{3}{8}$	1 $\frac{5}{16}$	5 $\frac{7}{16}$	
	1 $\frac{3}{4}$	1 $\frac{1}{4}$ -12	1-14	1 $\frac{5}{8}$	1.999	$\frac{5}{8}$	1 $\frac{1}{8}$	1 $\frac{5}{16}$	$\frac{5}{8}$	—	—	1 $\frac{1}{4}$	—	2	2 $\frac{9}{16}$	5 $\frac{15}{16}$
3 $\frac{1}{4}$	$\frac{5}{8}$	$\frac{1}{2}$ -20	$\frac{7}{16}$ -20	$\frac{3}{4}$	1.124	$\frac{3}{8}$	$\frac{1}{2}$	$\frac{9}{16}$	—	$\frac{1}{4}$	$\frac{3}{16}$	—	1	1 $\frac{3}{8}$	1 $\frac{5}{16}$	5 $\frac{1}{16}$
	1	$\frac{7}{8}$ -14	$\frac{3}{4}$ -16	1 $\frac{1}{8}$	1.499	$\frac{1}{2}$	$\frac{7}{8}$	$\frac{15}{16}$	—	$\frac{1}{4}$	$\frac{3}{8}$	—	1 $\frac{3}{8}$	1 $\frac{5}{16}$	6	
3 $\frac{1}{4}$	2	1 $\frac{3}{4}$ -12	1 $\frac{1}{2}$ -12	2 $\frac{1}{4}$	2.624	$\frac{7}{8}$	1 $\frac{11}{16}$	1 $\frac{5}{16}$	—	$\frac{1}{4}$	$\frac{9}{16}$	—	2	2 $\frac{1}{2}$	3 $\frac{1}{16}$	6 $\frac{5}{8}$
	1 $\frac{3}{8}$	1 $\frac{1}{4}$ -12	1-14	1 $\frac{5}{8}$	1.999	$\frac{5}{8}$	1 $\frac{1}{8}$	1 $\frac{5}{16}$	—	$\frac{1}{4}$	$\frac{1}{2}$	—	1 $\frac{5}{8}$	2 $\frac{1}{8}$	2 $\frac{11}{16}$	6 $\frac{1}{4}$
4	1 $\frac{3}{4}$	1 $\frac{1}{2}$ -12	1 $\frac{1}{4}$ -12	2	2.374	$\frac{3}{4}$	1 $\frac{1}{2}$	1 $\frac{11}{16}$	—	$\frac{1}{4}$	$\frac{9}{16}$	—	1 $\frac{7}{8}$	2 $\frac{1}{8}$	2 $\frac{15}{16}$	6 $\frac{1}{2}$
	1 $\frac{3}{8}$	1 $\frac{1}{4}$ -12	1-14	1 $\frac{5}{8}$	1.999	$\frac{5}{8}$	1 $\frac{1}{8}$	1 $\frac{5}{16}$	—	$\frac{1}{4}$	$\frac{1}{2}$	—	1 $\frac{5}{8}$	2 $\frac{1}{8}$	2 $\frac{11}{16}$	6 $\frac{1}{4}$
4	2 $\frac{1}{2}$	2 $\frac{1}{4}$ -12	1 $\frac{7}{8}$ -12	3	3.124	1	2 $\frac{1}{16}$	2 $\frac{3}{8}$	—	$\frac{1}{4}$	1 $\frac{1}{16}$	—	2 $\frac{1}{4}$	2 $\frac{3}{4}$	3 $\frac{5}{16}$	6 $\frac{7}{8}$
	1 $\frac{3}{4}$	1 $\frac{1}{2}$ -12	1 $\frac{1}{4}$ -12	2	2.374	$\frac{3}{4}$	1 $\frac{1}{2}$	1 $\frac{11}{16}$	—	$\frac{1}{4}$	$\frac{9}{16}$	—	1 $\frac{7}{8}$	2 $\frac{3}{8}$	2 $\frac{15}{16}$	6 $\frac{1}{2}$
5	2	1 $\frac{3}{4}$ -12	1 $\frac{1}{2}$ -12	2 $\frac{1}{4}$	2.624	$\frac{7}{8}$	1 $\frac{11}{16}$	1 $\frac{5}{16}$	—	$\frac{1}{4}$	$\frac{9}{16}$	—	2	2 $\frac{1}{2}$	3 $\frac{1}{16}$	6 $\frac{5}{16}$
	1	$\frac{7}{8}$ -14	$\frac{3}{4}$ -16	1 $\frac{1}{8}$	1.499	$\frac{1}{2}$	$\frac{7}{8}$	$\frac{15}{16}$	—	$\frac{1}{4}$	$\frac{3}{8}$	—	1 $\frac{3}{8}$	2 $\frac{1}{16}$	2 $\frac{7}{16}$	6 $\frac{5}{16}$
5	1 $\frac{3}{8}$	1 $\frac{1}{4}$ -12	1-14	1 $\frac{5}{8}$	1.999	$\frac{5}{8}$	1 $\frac{1}{8}$	1 $\frac{5}{16}$	—	$\frac{1}{4}$	$\frac{1}{2}$	—	1 $\frac{5}{8}$	2 $\frac{1}{16}$	2 $\frac{11}{16}$	6 $\frac{3}{16}$
	1 $\frac{3}{4}$	1 $\frac{1}{2}$ -12	1 $\frac{1}{4}$ -12	2	2.374	$\frac{3}{4}$	1 $\frac{1}{2}$	1 $\frac{11}{16}$	—	$\frac{1}{4}$	$\frac{9}{16}$	—	1 $\frac{7}{8}$	2 $\frac{9}{16}$	3 $\frac{1}{16}$	7 $\frac{5}{16}$
6	4	3 $\frac{3}{4}$ -12	3-12	4	4.749	1	3 $\frac{1}{8}$	3 $\frac{7}{8}$	$\frac{1}{2}$	—	—	1 $\frac{1}{2}$	—	2 $\frac{15}{16}$	3 $\frac{7}{16}$	7 $\frac{11}{16}$
	2	1 $\frac{3}{4}$ -12	1 $\frac{1}{2}$ -12	2 $\frac{1}{4}$	2.624	$\frac{7}{8}$	1 $\frac{11}{16}$	1 $\frac{5}{16}$	—	$\frac{1}{4}$	$\frac{9}{16}$	—	2	2 $\frac{11}{16}$	3 $\frac{3}{16}$	7 $\frac{1}{16}$
6	2 $\frac{1}{2}$	2 $\frac{1}{4}$ -12	1 $\frac{7}{8}$ -12	3	3.124	1	2 $\frac{1}{16}$	2 $\frac{3}{8}$	—	$\frac{1}{4}$	1 $\frac{1}{16}$	—	2 $\frac{1}{4}$	2 $\frac{15}{16}$	3 $\frac{7}{16}$	7 $\frac{11}{16}$
	3	2 $\frac{3}{4}$ -12	2 $\frac{1}{4}$ -12	3 $\frac{1}{2}$	3.749	1	2 $\frac{5}{8}$	2 $\frac{7}{8}$	$\frac{1}{2}$	—	—	1 $\frac{1}{2}$	—	2 $\frac{15}{16}$	3 $\frac{7}{16}$	7 $\frac{11}{16}$
6	3 $\frac{1}{2}$	3 $\frac{1}{4}$ -12	2 $\frac{1}{2}$ -12	3 $\frac{1}{2}$	4.249	1	3	3 $\frac{3}{8}$	$\frac{1}{2}$	—	—	1 $\frac{1}{2}$	—	2 $\frac{15}{16}$	3 $\frac{7}{16}$	7 $\frac{11}{16}$
	1 $\frac{3}{8}$	1 $\frac{1}{4}$ -12	1-14	1 $\frac{5}{8}$	1.999	$\frac{5}{8}$	1 $\frac{1}{8}$	1 $\frac{5}{16}$	—	$\frac{1}{4}$	$\frac{7}{16}$	—	1 $\frac{5}{8}$	2 $\frac{5}{16}$	2 $\frac{13}{16}$	7 $\frac{1}{16}$

## Rod End Dimensions — see table 2

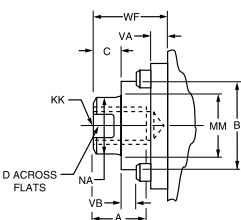
### Thread Style 2

Small Male



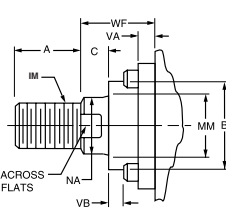
### Thread Style 4

Short Female



### Thread Style 5

Intermediate Male



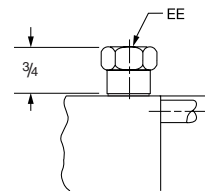
### "Special" Thread Style X

Special thread, extension, rod eye, blank, etc., are also available.

To order, specify "Style X" and give desired dimensions for KK, A, W or WF. If otherwise special, furnish dimensioned sketch.

### Straight Thread Port Adapters

Used on 1 1/2" bore size only.



A high strength rod end stud is supplied on thread style 2 through 2" diameter rods and on thread style 5 through 1 3/8" diameter rods. Larger sizes or special rod ends are cut threads. Style 2 rod ends are recommended where the workpiece is secured against the rod shoulder. When the workpiece is not shouldered, style 2

rod ends are recommended through 2" piston rod diameters and style 5 rod ends are recommended on larger diameters. Use style 4 for applications where female rod end threads are required. If rod end is not specified, style 2 will be supplied.

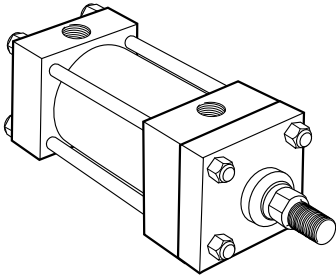
# Miller JV Series Medium-Duty Hydraulic Cylinders

Side Tap Mount  
1" to 6" Bore Sizes

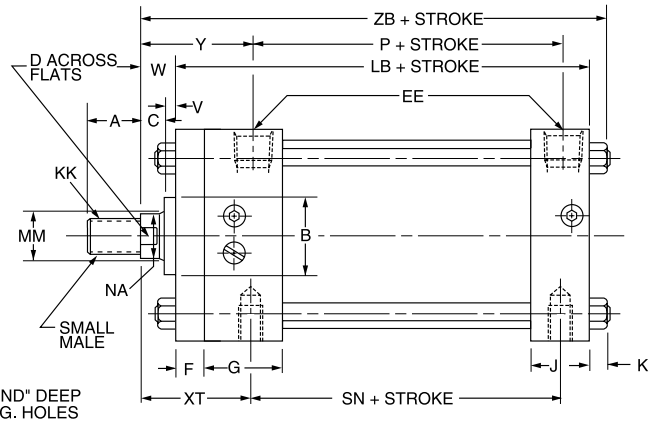
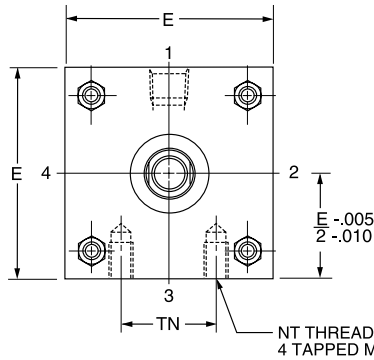
## Side Tap Mount

Model 74

1, 1 1/2", 2", 2 1/2", 5" and 6" Bore  
With Maximum Oversize Rods



## Retainer Held Bushing

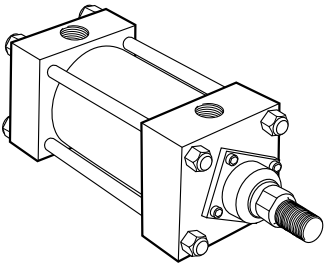


**Before determining dimensions:** See chart on page 3 for cylinder rod combinations that have removable bushings.

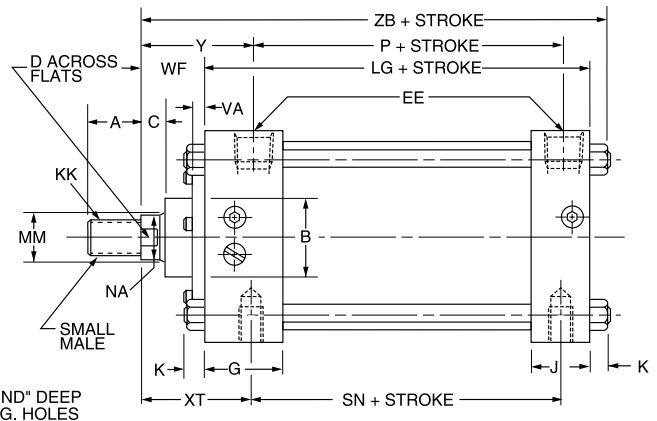
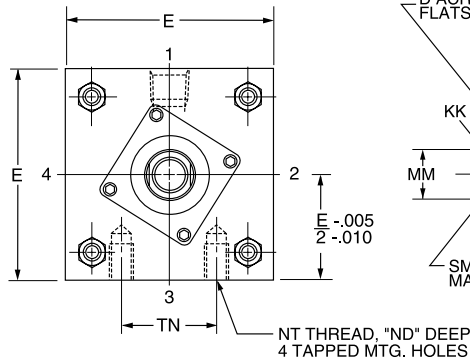
## Side Tap Mount

Model 74

1 1/2" - 6" Bore



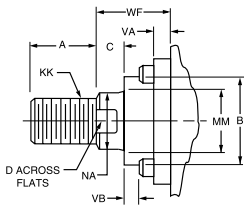
## Bolted Bushing



## Rod End Dimensions — see table 2

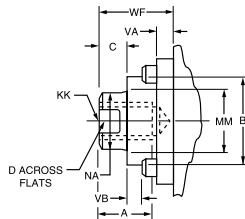
### Thread Style 2

Small Male



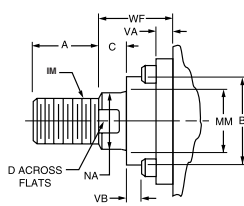
### Thread Style 4

Short Female



### Thread Style 5

Intermediate Male



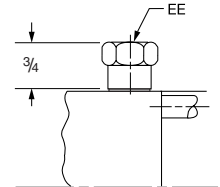
### "Special" Thread Style X

Special thread, extension, rod eye, blank, etc., are also available.

To order, specify "Style X" and give desired dimensions for KK, A, W or WF. If otherwise special, furnish dimensioned sketch.

### Straight Thread Port Adapters

Used on 1 1/2" bore size only.



A high strength rod end stud is supplied on thread style 2 through 2" diameter rods and on thread style 5 through 1 3/8" diameter rods. Larger sizes or special rod ends are cut threads. Style 2 rod ends are recommended where the workpiece is secured against the rod shoulder. When the workpiece is not shouldered, style 2

rod ends are recommended through 2" piston rod diameters and style 5 rod ends are recommended on larger diameters. Use style 4 for applications where female rod end threads are required. If rod end is not specified, style 2 will be supplied.

# Miller JV Series Medium-Duty Hydraulic Cylinders

Side Tap Mount  
1" to 6" Bore Sizes

**Table 1—Envelope and Mounting Dimensions**

Bore	E	EE		F	G	J	K	LB	LG	NT	P	SN	TN
		NPTF <sup>o</sup>	SAE*										
1‡	■	1/4	6#	3/8	1 1/2	1	3/16	3 7/8	—	10-24	2 1/8	2 1/8	9/16
1 1/2	2	3/8†	6#	3/8	1 1/2	1	1/4	4	3 5/8	1/4-20	2 1/4	2 1/4	5/8
2	2 1/2	3/8†	6	3/8	1 1/2	1	5/16	4	3 5/8	5/16-18	2 1/4	2 1/4	7/8
2 1/2	3	3/8†	6	3/8	1 1/2	1	5/16	4 1/8	3 3/4	3/8-16	2 3/8	2 3/8	1 1/4
3 1/4	3 3/4	1/2	10	—	1 3/4	1 1/4	3/8	—	4 1/4	1/2-13	2 5/8	2 5/8	1 1/2
4	4 1/2	1/2	10	—	1 3/4	1 1/4	3/8	—	4 1/4	1/2-13	2 5/8	2 5/8	2 1/16
5	5 1/2	1/2	10	5/8	1 3/4	1 1/4	7/16	5 1/8	4 1/2	5/8-11	2 7/8	2 7/8	2 11/16
6	6 1/2	3/4	12	3/4	2	1 1/2	7/16	—	5	3/4-10	3 1/8	3 1/8	3 1/4

○ NPTF ports will be furnished as standard unless SAE straight thread ports are specified.

\* SAE straight thread ports are indicated by port number.

‡ Cushion adjusting needle valve for 1" bore projects beyond sides of head and cap.

■ 1" bore head is 1 3/4" x 1 1/2".

† On 1 1/2", 2" and 2 1/2" bore sizes the head end (only) pipe thread is not full depth on cylinders with maximum oversize rods. Minimum of 3 full threads available.

# Straight thread ports. On 1 1/2" bore size an adapter fitting is required on cap end and on head end with maximum oversize rod. (See "Straight Thread Port Adapter" drawing.) Adapters are furnished as standard.

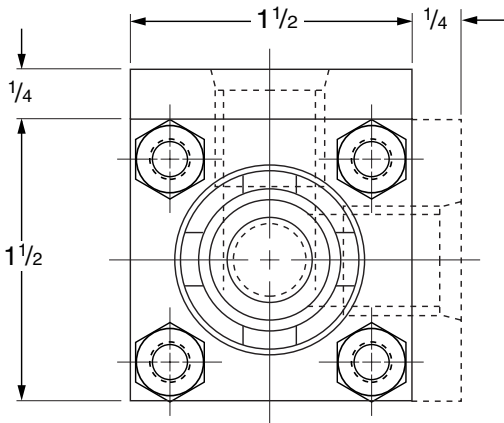
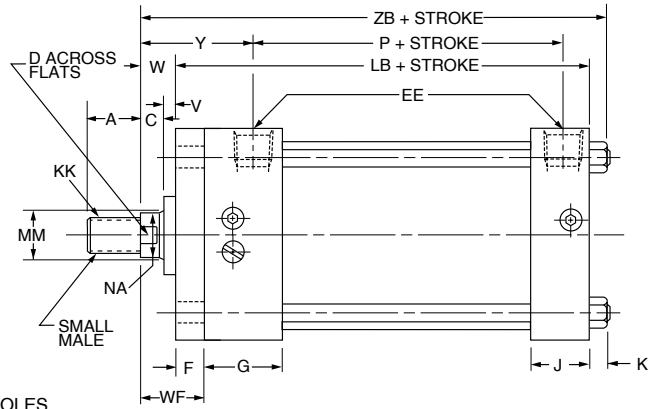
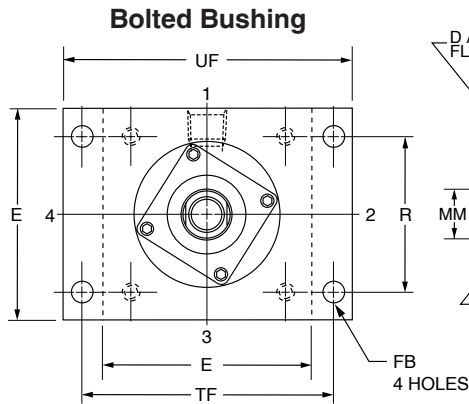
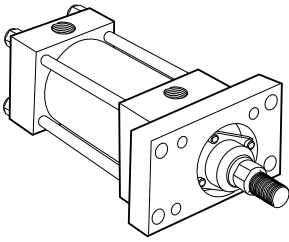
**Table 2—Rod End Dimensions and Envelope Dimensions Affected by Rod Size**

Bore	Rod Dia. MM	Thread		Rod End Dimensions and Envelope Dimensions Affected by Rod Size													
		Style 5 IM	Style 2 & 4 KK	A	+0.000 -0.002 B	C	D	NA	V	VA	VB	W	WF	XT	Y	ZB	ND
1	1/2	7/16-20	5/16-20	5/8	.999	3/8	3/8	7/16	1/4	—	—	5/8	—	1 15/16	1 15/16	4 11/16	1/4
	5/8	1/2-20	7/16-20	3/4	1.124	3/8	1/2	9/16	1/4	—	—	5/8	—	1 15/16	1 15/16	4 11/16	1/4
1 1/2	5/8	1/2-20	7/16-20	3/4	1.124	3/8	1/2	9/16	—	1/4	3/16	—	1	1 15/16	1 15/16	4 7/8	5/16
	1	7/8-14	3/4-16	1 1/8	1.499	1/2	7/8	1 5/16	1/2	—	—	1	—	2 5/16	2 5/16	5 1/4	5/16
2	5/8	1/2-20	7/16-20	3/4	1.124	3/8	1/2	9/16	—	1/4	3/16	—	1	1 15/16	1 15/16	4 15/16	11/32
	1 3/8	1 1/4-12	1-14	1 5/8	1.999	5/8	1 1/8	1 5/16	5/8	—	—	1 1/4	—	2 9/16	2 9/16	5 9/16	11/32
2 1/2	1	7/8-14	3/4-16	1 1/8	1.499	1/2	7/8	1 5/16	—	1/4	3/8	—	1 3/8	2 5/16	2 5/16	5 7/16	7/16
	1 3/4	1 1/2-12	1 1/4-12	2	2.374	3/4	1 1/2	1 11/16	3/4	—	—	1 1/2	—	2 3/16	2 3/16	5 5/16	7/16
3 1/4	1 3/8	1 1/4-12	1-14	1 5/8	1.999	5/8	1 1/8	1 5/16	5/8	—	—	1 1/4	—	2 9/16	2 9/16	5 11/16	7/16
	5/8	1/2-20	7/16-20	3/4	1.124	3/8	1/2	9/16	—	1/4	3/16	—	1	1 15/16	1 15/16	5 1/16	7/16
4	1	7/8-14	3/4-16	1 1/8	1.499	1/2	7/8	1 5/16	—	1/4	3/8	—	1 3/8	2 7/16	2 7/16	6	1/2
	2	1 3/4-12	1 1/2-12	2 1/4	2.624	7/8	1 11/16	1 15/16	—	1/4	9/16	—	2	3 1/16	3 1/16	6 5/8	1/2
5	1 3/8	1 1/4-12	1-14	1 5/8	1.999	5/8	1 1/8	1 5/16	—	1/4	1/2	—	1 7/8	2 15/16	2 15/16	6 1/2	1/2
	1 3/4	1 1/2-12	1 1/4-12	2	2.374	3/4	1 1/2	1 11/16	—	1/4	9/16	—	1 7/8	2 15/16	2 15/16	6 1/2	1/2
6	2 1/2	2 1/4-12	1 7/8-12	3	3.124	1	2 1/16	2 3/8	—	1/4	11/16	—	2 1/4	3 5/16	3 5/16	7 3/8	5/8
	1 3/4	1 1/2-12	1 1/4-12	2	2.374	3/4	1 1/2	1 11/16	—	1/4	9/16	—	1 7/8	2 15/16	2 15/16	6 13/16	3/4
7	2	1 3/4-12	1 1/2-12	2 1/4	2.624	7/8	1 11/16	1 15/16	—	1/4	9/16	—	2	3 1/16	3 1/16	6 15/16	3/4
	2 1/2	2 1/4-12	1 7/8-12	3	3.124	1	2 1/16	2 3/8	—	1/4	11/16	—	2 1/4	3 5/16	3 5/16	7 3/8	5/8
8	1	7/8-14	3/4-16	1 1/8	1.499	1/2	7/8	1 5/16	—	1/4	3/8	—	1 3/8	2 7/16	2 7/16	6 5/16	3/4
	1 3/8	1 1/4-12	1-14	1 5/8	1.999	5/8	1 1/8	1 5/16	—	1/4	1/2	—	1 5/8	2 11/16	2 11/16	6 9/16	3/4
9	4	3 3/4-12	3-12	4	4.749	1	3 3/8	3 7/8	1/2	—	—	1 1/2	—	3 7/16	3 7/16	7 5/16	7/8
	2	1 3/4-12	1 1/2-12	2 1/4	2.624	7/8	1 11/16	1 15/16	—	1/4	9/16	—	2	3 3/16	3 3/16	7 7/16	7/8
10	2 1/2	2 1/4-12	1 7/8-12	3	3.124	1	2 1/16	2 3/8	—	1/4	11/16	—	2 1/4	3 7/16	3 7/16	7 11/16	7/8
	3	2 3/4-12	2 1/4-12	3 1/2	3.749	1	2 5/8	2 7/8	1/2	—	—	1 1/2	—	3 7/16	3 7/16	7 11/16	7/8
11	3 1/2	3 1/4-12	2 1/2-12	3 1/2	4.249	1	3	3 3/8	1/2	—	—	1 1/2	—	3 7/16	3 7/16	7 11/16	7/8
	1 3/8	1 1/4-12	1-14	1 5/8	1.999	5/8	1 1/8	1 5/16	—	1/4	7/16	—	1 5/8	2 13/16	2 13/16	7 1/16	7/8

# Miller JV Series Medium-Duty Hydraulic Cylinders

Head Rectangular  
Flange Mount  
1" to 6" Bore Sizes

Head Rectangular Flange Mount  
Model 61  
1" - 6" Bore



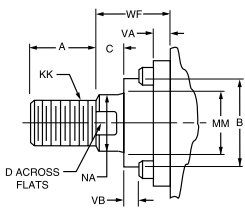
1" Bore Cylinder Only

## Maximum Pressure Ratings Push Application (Model 61 only)

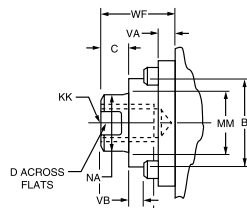
Bore Dia.	Rod Dia.	PSI	Bore Dia.	Rod Dia.	PSI
1	1/2	1900	4	1	900
	5/8	1500		1 3/8	750
1 1/2	5/8	1200		1 3/4	500
	1	700		2	500
2	5/8	450	2 1/2	600	
	1	700	5	1	600
	1 3/8	400		1 3/8	600
5/8	500	1 3/4		500	
1	300	2		450	
2 1/2	1 3/8	500	3	2 1/2	600
	1 3/4	300		3	450
	1	1000		3 1/2	400
3 1/4	1 3/8	650	6	1 3/8	700
	1 3/4	1000		1 3/4	700
	2	800		2	700
				2 1/2	600
			3	600	
			3 1/2	600	
			4	450	

## Rod End Dimensions — see table 2

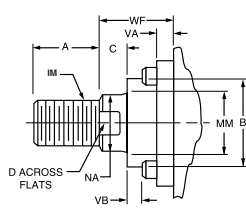
**Thread Style 2**  
Small Male



**Thread Style 4**  
Short Female



**Thread Style 5**  
Intermediate Male



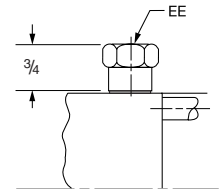
## "Special" Thread Style X

Special thread, extension, rod eye, blank, etc., are also available.

To order, specify "Style X" and give desired dimensions for KK, A, W or WF. If otherwise special, furnish dimensioned sketch.

## Straight Thread Port Adapters

Used on 1 1/2" bore size only.



A high strength rod end stud is supplied on thread style 2 through 2" diameter rods and on thread style 5 through 1 3/8" diameter rods. Larger sizes or special rod ends are cut threads. Style 2 rod ends are recommended where the workpiece is secured against the rod shoulder. When the workpiece is not shouldered, style 2

rod ends are recommended through 2" piston rod diameters and style 5 rod ends are recommended on larger diameters. Use style 4 for applications where female rod end threads are required. If rod end is not specified, style 2 will be supplied.

# Miller JV Series Medium-Duty Hydraulic Cylinders

Head Rectangular  
Flange Mount  
1" to 6" Bore Sizes

**Table 1—Envelope and Mounting Dimensions**

Bore	E	EE		F	(Bolt) FB	G	J	K	LB	P	R	TF	UF
		NPTF <sup>o</sup>	SAE <sup>★</sup>										
1 <sup>‡</sup>	1 1/2	1/4	6 <sup>#</sup>	3/8	#10	1 1/2	1	3/16	3 7/8	2 1/8	1.08	2	2 1/2
1 1/2	2	3/8 <sup>†</sup>	6 <sup>#</sup>	3/8	1/4	1 1/2	1	1/4	4	2 1/4	1.43	2 3/4	3 3/8
2	2 1/2	3/8 <sup>†</sup>	6	3/8	5/16	1 1/2	1	5/16	4	2 1/4	1.84	3 3/8	4 1/8
2 1/2	3	3/8 <sup>†</sup>	6	3/8	5/16	1 1/2	1	5/16	4 1/8	2 3/8	2.19	3 7/8	4 5/8
3 1/4	3 3/4	1/2	10	5/8	3/8	1 3/4	1 1/4	3/8	4 7/8	2 5/8	2.76	4 11/16	5 1/2
4	4 1/2	1/2	10	5/8	3/8	1 3/4	1 1/4	3/8	4 7/8	2 5/8	3.32	5 7/16	6 1/4
5	5 1/2	1/2	10	5/8	1/2	1 3/4	1 1/4	7/16	5 1/8	2 7/8	4.10	6 5/8	7 5/8
6	6 1/2	3/4	12	3/4	1/2	2	1 1/2	7/16	5 3/4	3 1/8	4.88	7 5/8	8 5/8

o NPTF ports will be furnished as standard unless SAE straight thread ports are specified.

★ SAE straight thread ports are indicated by port number.

‡ Cushion adjusting needle valve for 1" bore projects beyond sides of head and cap.

■ 1" bore head is 1 3/4" x 1 1/2".

† On 1 1/2", 2" and 2 1/2" bore sizes the head end (only) pipe thread is not full depth on cylinders with maximum oversize rods. Minimum of 3 full threads available.

# Straight thread ports on 1" bore size require an adapter fitting on the head end only. On 1 1/2" bore size an adapter fitting is required on cap end and on head end with maximum oversize rod. (See "Straight Thread Port Adapter" drawing.) Adapters are furnished as standard.

**Note:** Mounting holes are 1/16" larger than bolt size listed.

**Table 2—Rod End Dimensions and Envelope Dimensions Affected by Rod Size**

Bore	Rod Dia. MM	Thread		Rod Extensions and Envelope Dimensions Affected by Rod Size									
		Style 5 IM	Style 2 & 4 KK	A	+0.000 -0.002 B	C	D	NA	V	W	Y	ZB	
1	1/2	7/16-20	5/16-24	5/8	.999	3/8	3/8	7/16	1/4	5/8	1 15/16	4 11/16	
	5/8	1/2-20	7/16-20	3/4	1.124	3/8	1/2	9/16	1/4	5/8	1 15/16	4 11/16	
1 1/2	5/8	1/2-20	7/16-20	3/4	1.124	3/8	1/2	9/16	1/4	5/8	1 15/16	4 7/8	
	1	7/8-14	3/4-16	1 1/8	1.499	1/2	7/8	1 5/16	1/2	1	2 5/16	5 1/4	
2	5/8	1/2-20	7/16-20	3/4	1.124	3/8	1/2	9/16	1/4	5/8	1 15/16	4 5/8	
	1 3/8	1 1/4-12	1-14	1 5/8	1.999	5/8	1 1/8	1 5/16	5/8	1 1/4	2 9/16	5 9/16	
	1	7/8-14	3/4-16	1 1/8	1.499	1/2	7/8	1 5/16	1/2	1	2 5/16	5 5/16	
2 1/2	1	7/8-14	3/4-16	1 1/8	1.499	1/2	7/8	1 5/16	1/2	1	2 5/16	5 7/16	
	1 3/4	1 1/2-12	1 1/4-12	2	2.374	3/4	1 1/2	1 11/16	3/4	1 1/2	2 13/16	5 5/16	
	1 3/8	1 1/4-12	1-14	1 5/8	1.999	5/8	1 1/8	1 5/16	5/8	1 1/4	2 9/16	5 11/16	
	5/8	1/2-20	7/16-20	3/4	1.124	3/8	1/2	9/16	1/4	5/8	1 15/16	5 1/16	
3 1/4	1	7/8-14	3/4-16	1 1/8	1.499	1/2	7/8	1 5/16	1/4	3/4	2 7/16	6	
	2	1 3/4-12	1 1/2-12	2 1/4	2.624	7/8	1 11/16	1 15/16	1/2	1 3/8	3 1/16	6 5/8	
	1 3/8	1 1/4-12	1-14	1 5/8	1.999	5/8	1 1/8	1 5/16	3/8	1	2 11/16	6 1/4	
	1 3/4	1 1/2-12	1 1/4-12	2	2.374	3/4	1 1/2	1 11/16	1/2	1 1/4	2 15/16	6 1/2	
4	1 3/8	1 1/4-12	1-14	1 5/8	1.999	5/8	1 1/8	1 5/16	3/8	1	2 11/16	6 1/4	
	2 1/2	2 1/4-12	1 7/8-12	3	3.124	1	2 1/16	2 3/8	5/8	1 5/8	3 5/16	6 7/8	
	1 3/4	1 1/2-12	1 1/4-12	2	2.374	3/4	1 1/2	1 11/16	1/2	1 1/4	2 15/16	6 1/2	
	2	1 3/4-12	1 1/2-12	2 1/4	2.624	7/8	1 11/16	1 15/16	1/2	1 3/8	3 1/16	6 5/8	
	1	7/8-14	3/4-16	1 1/8	1.499	1/2	7/8	1 5/16	1/4	3/4	2 7/16	6	
5	1 3/4	1 1/2-12	1 1/4-12	2	2.374	3/4	1 1/2	1 11/16	1/2	1 1/4	2 15/16	6 13/16	
	3 1/2	3 1/4-12	2 1/2-12	3 1/2	4.249	1	3	3 3/8	5/8	1 5/8	3 5/16	7 3/16	
	2	1 3/4-12	1 1/2-12	2 1/4	2.624	7/8	1 11/16	1 15/16	1/2	1 3/8	3 1/16	6 15/16	
	2 1/2	2 1/4-12	1 7/8-12	3	3.124	1	2 1/16	2 3/8	5/8	1 5/8	3 5/16	7 3/16	
	3	2 3/4-12	2 1/4-12	3 1/2	3.749	1	2 5/8	2 7/8	5/8	1 5/8	3 5/16	7 3/16	
	1	7/8-14	3/4-16	1 1/8	1.499	1/2	7/8	1 5/16	1/4	3/4	2 7/16	6 5/16	
6	1 3/8	1 1/4-12	1-14	1 5/8	1.999	5/8	1 1/8	1 5/16	3/8	1	2 11/16	6 9/16	
	1 3/4	1 1/2-12	1 1/4-12	2	2.374	3/4	1 1/2	1 11/16	3/8	1 1/8	3 1/16	7 5/16	
	4	3 3/4-12	3-12	4	4.749	1	3 3/8	3 7/8	1/2	1 1/2	3 7/16	7 11/16	
	2	1 3/4-12	1 1/2-12	2 1/4	2.624	7/8	1 11/16	1 15/16	3/8	1 1/4	3 3/16	7 7/16	
	2 1/2	2 1/4-12	1 7/8-12	3	3.124	1	2 1/16	2 3/8	1/2	1 1/2	3 7/16	7 11/16	
	3	2 3/4-12	2 1/4-12	3 1/2	3.749	1	2 5/8	2 7/8	1/2	1 1/2	3 7/16	7 11/16	
	3 1/2	3 1/4-12	2 1/2-12	3 1/2	4.249	1	3	3 3/8	1/2	1 1/2	3 7/16	7 11/16	
1 3/8	1 1/4-12	1-14	1 5/8	1.999	5/8	1 1/8	1 5/16	1/4	7/8	2 13/16	7 1/16		

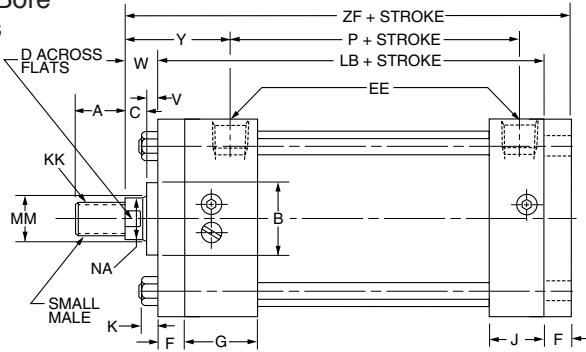
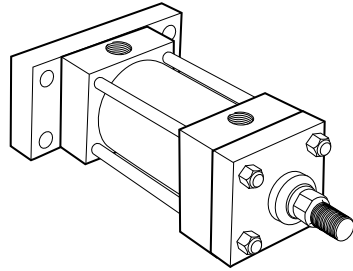
# Miller JV Series Medium-Duty Hydraulic Cylinders

Cap Rectangular  
Flange Mount  
1" to 6" Bore Sizes

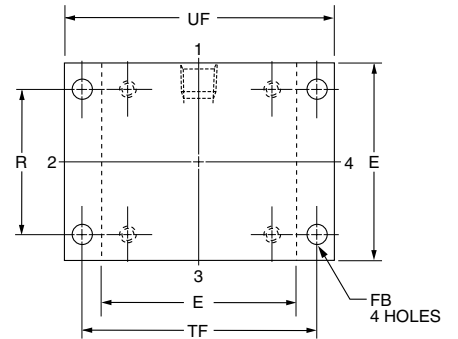
## Cap Rectangular Flange Mount

Model 62

1, 1 1/2", 2", 2 1/2", 5" and 6" Bore  
With Maximum Oversize Rods



## Retainer Held Bushing

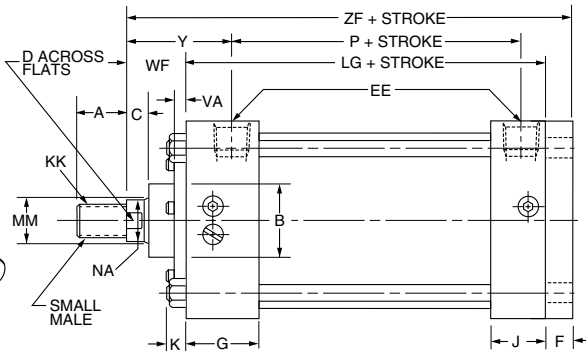
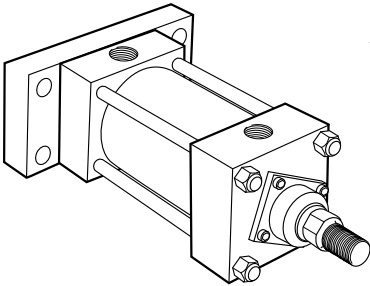


**Before determining dimensions:** See chart on page 3 for cylinder rod combinations that have removable bushings.

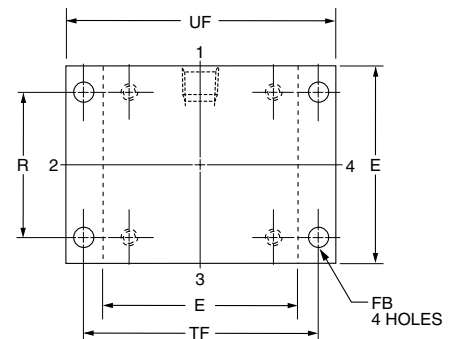
## Cap Rectangular Flange Mount

Model 62

1 1/2" - 6" Bore



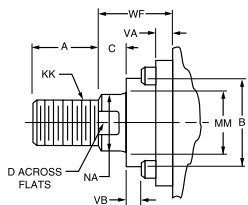
## Bolted Bushing



## Rod End Dimensions — see table 2

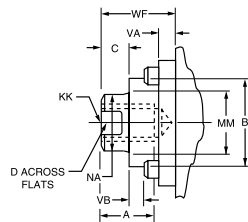
### Thread Style 2

Small Male



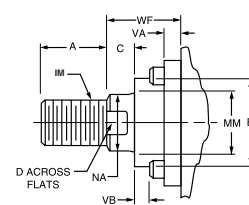
### Thread Style 4

Short Female



### Thread Style 5

Intermediate Male



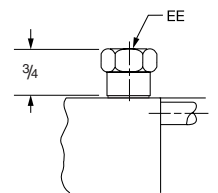
### "Special" Thread Style X

Special thread, extension, rod eye, blank, etc., are also available.

To order, specify "Style X" and give desired dimensions for KK, A, W or WF. If otherwise special, furnish dimensioned sketch.

### Straight Thread Port Adapters

Used on 1 1/2" bore size only.



A high strength rod end stud is supplied on thread style 2 through 2" diameter rods and on thread style 5 through 1 3/8" diameter rods. Larger sizes or special rod ends are cut threads. Style 2 rod ends are recommended where the workpiece is secured against the rod shoulder. When the workpiece is not shouldered, style 2

rod ends are recommended through 2" piston rod diameters and style 5 rod ends are recommended on larger diameters. Use style 4 for applications where female rod end threads are required. If rod end is not specified, style 2 will be supplied.

# Miller JV Series Medium-Duty Hydraulic Cylinders

Cap Rectangular  
Flange Mount  
1" to 6" Bore Sizes

**Table 1—Envelope and Mounting Dimensions**

Bore	E	EE		F	(Bolt) FB	G	J	K	LB	LG	P	R	TF	UF
		NPTF <sup>o</sup>	SAE*											
1 <sup>†</sup>	■	1/4	6 <sup>#</sup>	3/8	#10	1 1/2	1	3/16	3 7/8	—	2 1/8	1.08	2	2 1/2
1 1/2	2	3/8 <sup>†</sup>	6 <sup>#</sup>	3/8	1/4	1 1/2	1	1/4	4	3 5/8	2 1/4	1.43	2 3/4	3 3/8
2	2 1/2	3/8 <sup>†</sup>	6	3/8	5/16	1 1/2	1	5/16	4	3 5/8	2 1/4	1.84	3 3/8	4 1/8
2 1/2	3	3/8 <sup>†</sup>	6	3/8	5/16	1 1/2	1	5/16	4 1/8	3 3/4	2 3/8	2.19	3 7/8	4 5/8
3 1/4	3 3/4	1/2	10	5/8	3/8	1 3/4	1 1/4	3/8	—	4 1/4	2 5/8	2.76	4 11/16	5 1/2
4	4	1/2	10	5/8	3/8	1 3/4	1 1/4	3/8	—	4 1/4	2 5/8	3.32	5 7/16	6 1/4
5	5 1/2	1/2	10	5/8	1/2	1 3/4	1 1/4	7/16	5 1/8	4 1/2	2 7/8	4.10	6 5/8	7 5/8
6	6 1/2	3/4	12	3/4	1/2	2	1 1/2	7/16	5 3/4	5	3 1/8	4.88	7 5/8	8 5/8

○ NPTF ports will be furnished as standard unless SAE straight thread ports are specified.

\* SAE straight thread ports are indicated by port number.

■ 1" bore heads and caps are 1 3/4" x 1 1/2".

† On 1", 1 1/2", 2" and 2 1/2" bore sizes the head end (only) pipe thread is not full depth on cylinders with maximum oversize rods. Minimum of 3 full threads available.

‡ Cushion adjusting needle valve for 1" bore projects beyond sides of head and cap.

# Straight thread ports. On 1 1/2" bore size an adapter fitting is required on cap end and on head end with maximum oversize rod. (See "Straight Thread Port Adapter" drawing.) Adapters are furnished as standard.

**Note:** Mounting holes are 1/16" larger than bolt size listed.

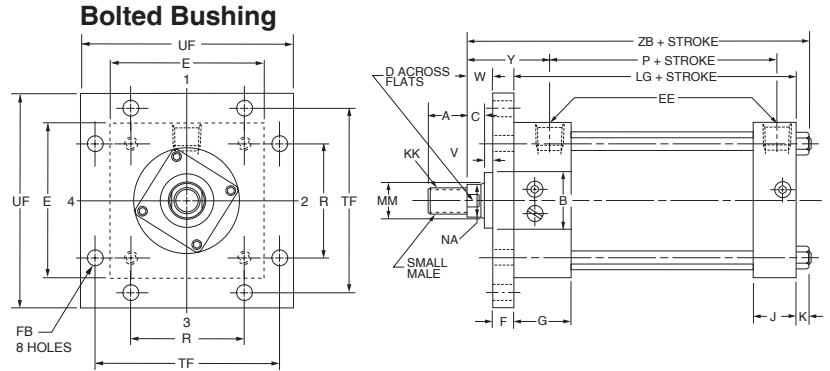
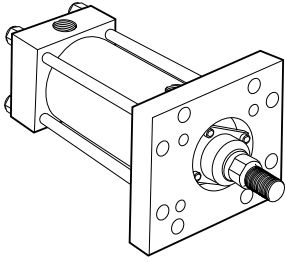
**Table 2—Rod End Dimensions and Envelope Dimensions Affected by Rod Size**

Bore	Rod Dia. MM	Thread		Rod End Dimensions and Envelope Dimensions Affected by Rod Size												
		Style 5 IM	Style 2 & 4 KK	A	+ .000 - .002 B	C	D	NA	V	VA	VB	W	WF	Y	ZF	
1	1/2	7/16-20	5/16-24	5/8	.999	3/8	3/8	7/16	1/4	—	—	5/8	—	1 15/16	4 7/8	
	5/8	1/2-20	7/16-20	3/4	1.124	3/8	1/2	9/16	1/4	—	—	5/8	—	1 15/16	4 7/8	
1 1/2	5/8	1/2-20	7/16-20	3/4	1.124	3/8	1/2	9/16	—	1/4	3/16	—	1	2 5/16	5	
	1	7/8-14	3/4-16	1 1/8	1.499	1/2	7/8	15/16	1/2	—	—	1	—	2 5/16	5 3/8	
2	5/8	1/2-20	7/16-20	3/4	1.124	3/8	1/2	9/16	—	1/4	3/16	—	1	1 15/16	5	
	1 3/8	1 1/4-12	1-14	1 5/8	1.999	5/8	1 1/8	1 5/16	5/8	—	—	1 1/4	—	2 9/16	5 5/8	
2 1/2	1	7/8-14	3/4-16	1 1/8	1.499	1/2	7/8	15/16	—	1/4	3/8	—	1 3/8	2 5/16	5 1/2	
	1 3/4	1 1/2-12	1 1/4-12	2	2.374	3/4	1 1/2	1 11/16	3/4	—	—	1 1/2	—	2 13/16	6	
3 1/4	1 3/8	1 1/4-12	1-14	1 5/8	1.999	5/8	1 1/8	1 5/16	5/8	—	—	1 1/4	—	2 9/16	5 3/4	
	5/8	1/2-20	7/16-20	3/4	1.124	3/8	1/2	9/16	—	1/4	3/16	—	1	1 15/16	5 1/8	
4	1	7/8-14	3/4-16	1 1/8	1.499	1/2	7/8	15/16	—	1/4	3/8	—	1 3/8	2 7/16	6 1/4	
	2	1 3/4-12	1 1/2-12	2 1/4	2.624	7/8	1 11/16	1 15/16	—	1/4	9/16	—	2	3 1/16	6 7/8	
5	1 3/8	1 1/4-12	1-14	1 5/8	1.999	5/8	1 1/8	1 5/16	—	1/4	1/2	—	1 5/8	2 11/16	6 1/2	
	2 1/2	2 1/4-12	1 7/8-12	3	3.124	1	2 1/16	2 3/8	—	1/4	1 1/16	—	2 1/4	3 5/16	7 1/8	
6	1 3/4	1 1/2-12	1 1/4-12	2	2.374	3/4	1 1/2	1 11/16	—	1/4	9/16	—	1 7/8	2 15/16	7	
	3 1/2	3 1/4-12	2 1/2-12	3 1/2	4.249	1	3	3 3/8	5/8	—	—	1 5/8	—	3 5/16	7 3/8	
7	2	1 3/4-12	1 1/2-12	2 1/4	2.624	7/8	1 11/16	1 15/16	—	1/4	9/16	—	2	3 1/16	7 1/8	
	2 1/2	2 1/4-12	1 7/8-12	3	3.124	1	2 1/16	2 3/8	—	1/4	1 1/16	—	2 1/4	3 5/16	7 3/8	
8	3	2 3/4-12	2 1/4-12	3 1/2	3.749	1	2 5/8	2 7/8	5/8	—	—	1 5/8	—	3 5/16	7 3/8	
	1	7/8-14	3/4-16	1 1/8	1.499	1/2	7/8	15/16	—	1/4	3/8	—	1 3/8	2 7/16	6 1/2	
9	1 3/8	1 1/4-12	1-14	1 5/8	1.999	5/8	1 1/8	1 5/16	—	1/4	1/2	—	1 5/8	2 11/16	6 3/4	
	1 3/4	1 1/2-12	1 1/4-12	2	2.374	3/4	1 1/2	1 11/16	—	1/4	9/16	—	1 7/8	3 1/16	7 5/8	
10	4	3 3/4-12	3-12	4	4.749	1	3 3/8	3 7/8	1/2	—	—	1 1/2	—	3 7/16	8	
	2	1 3/4-12	1 1/2-12	2 1/4	2.624	7/8	1 11/16	1 15/16	—	1/4	9/16	—	2	3 3/16	7 3/4	
11	2 1/2	2 1/4-12	1 7/8-12	3	3.124	1	2 1/16	2 3/8	—	1/4	1 1/16	—	2 1/4	3 7/16	8	
	3	2 3/4-12	2 1/4-12	3 1/2	3.749	1	2 5/8	2 7/8	1/2	—	—	1 1/2	—	3 7/16	8	
12	3 1/2	3 1/4-12	2 1/2-12	3 1/2	4.249	1	3	3 3/8	1/2	—	—	1 1/2	—	3 7/16	8	
	1 3/8	1 1/4-12	1-14	1 5/8	1.999	5/8	1 1/8	1 5/16	—	1/4	7/16	—	1 5/8	2 13/16	7 3/8	

# Miller JV Series Medium-Duty Hydraulic Cylinders

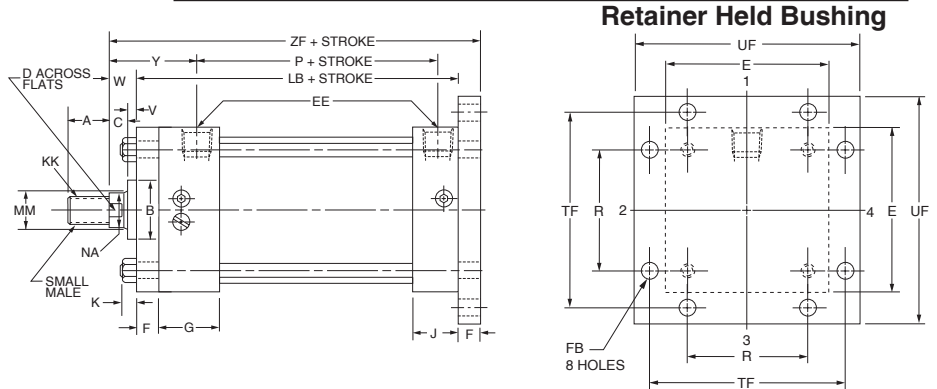
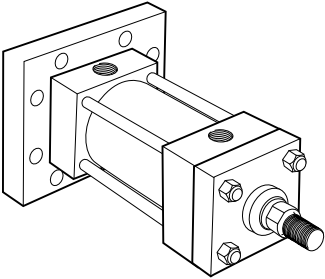
Head Square Flange Mount  
Cap Square Flange Mount  
1" to 6" Bore Sizes

## Head Square Flange Mount Model 65 1" - 6" Bore

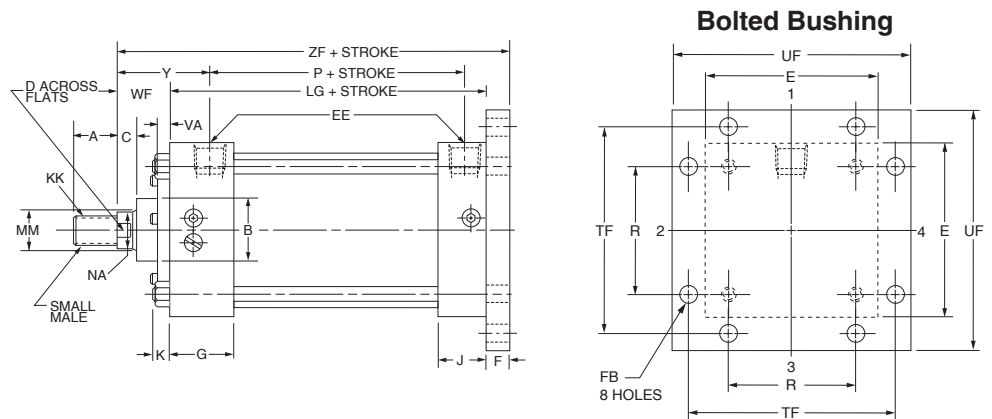
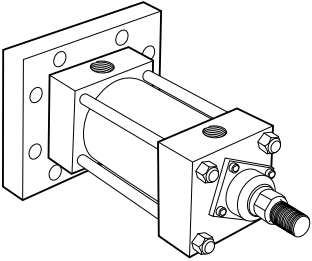


**Before determining dimensions:** See chart on page 3 for cylinder rod combinations that have removable bushings.

## Cap Square Flange Mount Model 66 1", 1 1/2", 2", 2 1/2", 5" and 6" Bore With Maximum Oversize Rods

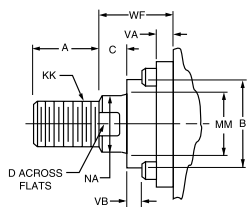


## Cap Square Flange Mount Model 66 1 1/2" - 6" Bore

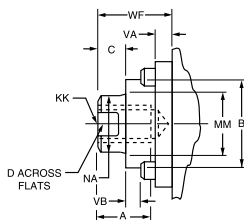


## Rod End Dimensions — see table 2

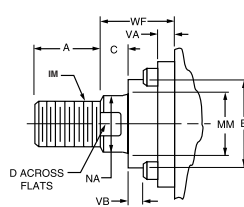
### Thread Style 2 Small Male



### Thread Style 4 Short Female



### Thread Style 5 Intermediate Male



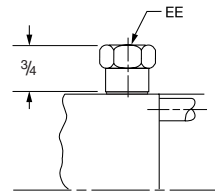
### "Special" Thread Style X

Special thread, extension, rod eye, blank, etc., are also available.

To order, specify "Style X" and give desired dimensions for KK, A, W or WF. If otherwise special, furnish dimensioned sketch.

### Straight Thread Port Adapters

Used on 1 1/2" bore size only.



A high strength rod end stud is supplied on thread style 2 through 2" diameter rods and on thread style 5 through 1 3/8" diameter rods. Larger sizes or special rod ends are cut threads. Style 2 rod ends are recommended where the workpiece is secured against the rod shoulder. When the workpiece is not shouldered, style 2

rod ends are recommended through 2" piston rod diameters and style 5 rod ends are recommended on larger diameters. Use style 4 for applications where female rod end threads are required. If rod end is not specified, style 2 will be supplied.



# Miller JV Series Medium-Duty Hydraulic Cylinders

Head Square Flange Mount  
Cap Square Flange Mount  
1" to 6" Bore Sizes

**Table 1—Envelope and Mounting Dimensions**

Bore	E	EE		F	(Bolt) FB	G	J	K	LB	LG	P	R	TF	UF
		NPTF <sup>o</sup>	SAE*											
1‡	■	1/4	6#	3/8	#10	1 1/2	1	3/16	3 7/8	—	2 1/8	1.08	2	2 1/2
1 1/2	2	3/8†	6#	3/8	1/4	1 1/2	1	1/4	4	3 5/8	2 1/4	1.43	2 3/4	3 3/8
2	2 1/2	3/8†	6	3/8	5/16	1 1/2	1	5/16	4	3 5/8	2 1/4	1.84	3 3/8	4 1/8
2 1/2	3	3/8†	6	3/8	5/16	1 1/2	1	5/16	4 1/8	3 3/4	2 3/8	2.19	3 7/8	4 5/8
3 1/4	3 3/4	1/2	10	5/8	3/8	1 3/4	1 1/4	3/8	4 7/8	4 1/4	2 5/8	2.76	4 11/16	5 1/2
4	4 1/2	1/2	10	5/8	3/8	1 3/4	1 1/4	3/8	4 7/8	4 1/4	2 5/8	3.32	5 7/16	6 1/4
5	5 1/2	1/2	10	5/8	1/2	1 3/4	1 1/4	7/16	5 1/8	4 1/2	2 7/8	4.10	6 5/8	7 5/8
6	6 1/2	3/4	12	3/4	1/2	2	1 1/2	7/16	5 3/4	5	3 1/8	4.88	7 5/8	8 5/8

o NPTF ports will be furnished as standard unless SAE straight thread ports are specified.

\* SAE straight thread ports are indicated by port number.

■ 1" bore head is 1 3/4" x 1 1/2".

† On 1 1/2", 2" and 2 1/2" bore sizes the head end (only) pipe thread is not full depth on cylinders with maximum oversize rods. Minimum of 3 full threads available.

‡ Cushion adjusting needle valve for 1" bore projects beyond sides of head and cap.

# Straight thread ports. On 1 1/2" bore size an adapter fitting is required on cap end and on head end with maximum oversize rod. (See "Straight Thread Port Adapter" drawing.) Adapters are furnished as standard.

**Note:** Mounting holes are 1/16" larger than bolt size listed.

**Table 2—Rod End Dimensions and Envelope Dimensions Affected by Rod Size**

Bore	Rod Dia. MM	Thread		Rod End Dimensions and Envelope Dimensions Affected by Rod Size													
		Style 5 IM	Style 2 & 4 KK	A	+0.000 -0.002 B	C	D	NA	V	VA	VB	W	WF	Y	ZB	ZF	
1	1/2	7/16-20	5/16-24	5/8	.999	3/8	3/8	7/16	1/4	—	—	5/8	—	1 5/16	4 11/16	4 7/8	
	5/8	1/2-20	7/16-20	3/4	1.124	3/8	1/2	9/16	1/4	—	—	5/8	—	1 5/16	4 11/16	4 7/8	
1 1/2	5/8	1/2-20	7/16-20	3/4	1.124	3/8	1/2	9/16	1/4	1/4	3/16	5/8	1	1 5/16	4 7/8	5	
	1	7/8-14	3/4-16	1 1/8	1.499	1/2	7/8	1 5/16	1/2	—	—	1	—	2 5/16	5 1/4	5 3/8	
2	5/8	1/2-20	7/16-20	3/4	1.124	3/8	1/2	9/16	1/4	1/4	3/16	5/8	1	1 5/16	4 5/16	5	
	1 3/8	1 1/4-12	1-14	1 5/8	1.999	5/8	1 1/8	1 5/16	5/8	—	—	1 1/4	—	2 9/16	5 9/16	5 5/8	
2 1/2	1	7/8-14	3/4-16	1 1/8	1.499	1/2	7/8	1 5/16	1/2	1/4	3/8	1	1 3/8	2 5/16	5 5/16	5 3/8	
	1 3/8	1 1/4-12	1-14	1 5/8	1.999	5/8	1 1/8	1 5/16	5/8	—	—	1 1/4	—	2 9/16	5 9/16	5 5/8	
	1 3/4	1 1/2-12	1 1/4-12	2	2.374	3/4	1 1/2	1 11/16	3/4	—	—	1 1/2	—	2 13/16	5 15/16	6	
	1 3/8	1 1/4-12	1-14	1 5/8	1.999	5/8	1 1/8	1 5/16	5/8	—	—	1 1/4	—	2 9/16	5 11/16	5 3/4	
3 1/4	5/8	1/2-20	7/16-20	3/4	1.124	3/8	1/2	9/16	1/4	1/4	3/16	5/8	1	1 5/16	5 1/16	5 1/8	
	1	7/8-14	3/4-16	1 1/8	1.499	1/2	7/8	1 5/16	1/4	1/4	3/8	3/4	1 3/8	2 7/16	6	6 1/4	
	2	1 3/4-12	1 1/2-12	2 1/4	2.624	7/8	1 11/16	1 5/16	1/2	1/4	9/16	1 3/8	2	3 1/16	6 5/8	6 7/8	
	1 3/8	1 1/4-12	1-14	1 5/8	1.999	5/8	1 1/8	1 5/16	3/8	1/4	1/2	1	1 5/8	2 11/16	6 1/4	6 1/2	
4	1 3/4	1 1/2-12	1 1/4-12	2	2.374	3/4	1 1/2	1 11/16	1/2	1/4	9/16	1 1/4	1 7/8	2 15/16	6 1/2	6 3/4	
	1 3/8	1 1/4-12	1-14	1 5/8	1.999	5/8	1 1/8	1 5/16	3/8	1/4	1/2	1	1 5/8	2 11/16	6 1/4	6 1/2	
	2 1/2	2 1/4-12	1 7/8-12	3	3.124	1	2 1/16	2 3/8	5/8	1/4	1 1/16	1 5/8	2 1/4	3 5/16	6 7/8	7 1/8	
	1 3/4	1 1/2-12	1 1/4-12	2	2.374	3/4	1 1/2	1 11/16	1/2	1/4	9/16	1 1/4	1 7/8	2 15/16	6 1/2	6 3/4	
5	2	1 3/4-12	1 1/2-12	2 1/4	2.624	7/8	1 11/16	1 5/16	1/2	1/4	9/16	1 3/8	2	3 1/16	6 5/8	6 7/8	
	1	7/8-14	3/4-16	1 1/8	1.499	1/2	7/8	1 5/16	1/4	1/4	3/8	3/4	1 3/8	2 7/16	6	6 1/4	
	1 3/8	1 1/4-12	1-14	1 5/8	1.999	5/8	1 1/8	1 5/16	3/8	1/4	1/2	1	1 5/8	2 11/16	6 9/16	6 3/4	
	1 3/4	1 1/2-12	1 1/4-12	2	2.374	3/4	1 1/2	1 11/16	3/8	1/4	9/16	1 1/8	1 7/8	3 1/16	7 5/16	7 5/8	
	3 1/2	3 1/4-12	2 1/2-12	3 1/2	4.249	1	3	3 3/8	5/8	—	—	1 5/8	—	3 5/16	7 3/16	7 3/8	
6	2	1 3/4-12	1 1/2-12	2 1/4	2.624	7/8	1 11/16	1 5/16	1/2	1/4	9/16	1 3/8	2	3 1/16	6 15/16	7 1/8	
	2 1/2	2 1/4-12	1 7/8-12	3	3.124	1	2 1/16	2 3/8	5/8	1/4	1 1/16	1 5/8	2 1/4	3 5/16	7 3/16	7 3/8	
	3	2 3/4-12	2 1/4-12	3 1/2	3.749	1	2 5/8	2 7/8	5/8	—	—	1 5/8	—	3 5/16	7 3/16	7 3/8	
	1	7/8-14	3/4-16	1 1/8	1.499	1/2	7/8	1 5/16	1/4	1/4	3/8	3/4	1 3/8	2 7/16	6 5/16	6 1/2	
	1 3/8	1 1/4-12	1-14	1 5/8	1.999	5/8	1 1/8	1 5/16	3/8	1/4	1/2	1	1 5/8	2 11/16	6 9/16	6 3/4	
	1 3/4	1 1/2-12	1 1/4-12	2	2.374	3/4	1 1/2	1 11/16	3/8	1/4	9/16	1 1/8	1 7/8	3 1/16	7 5/16	7 5/8	
6	4	3 3/4-12	3-12	4	4.749	1	3 3/8	3 7/8	3/8	—	—	1 1/2	—	3 7/16	7 11/16	8	
	2	1 3/4-12	1 1/2-12	2 1/4	2.624	7/8	1 11/16	1 5/16	1/2	1/4	9/16	1 1/4	2	3 3/16	7 7/16	7 3/4	
	2 1/2	2 1/4-12	1 7/8-12	3	3.124	1	2 1/16	2 3/8	1/2	1/4	1 1/16	1 1/2	2 1/4	3 7/16	7 11/16	8	
	3	2 3/4-12	2 1/4-12	3 1/2	3.749	1	2 5/8	2 7/8	1/2	—	—	1 1/2	—	3 7/16	7 11/16	8	
	3 1/2	3 1/4-12	2 1/2-12	3 1/2	4.249	1	3	3 3/8	1/2	—	—	1 1/2	—	3 7/16	7 11/16	8	
1 3/8	1 1/4-12	1-14	1 5/8	1.999	5/8	1 1/8	1 5/16	1/4	1/4	7/16	7/8	1 5/8	2 13/16	7 1/16	7 3/8		

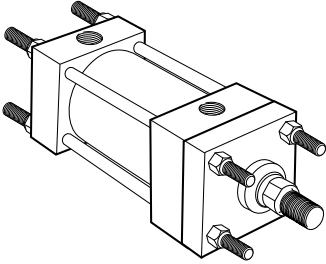
\*For all Model 65 and Model 66 with max. oversized rods.

# Miller JV Series Medium-Duty Hydraulic Cylinders

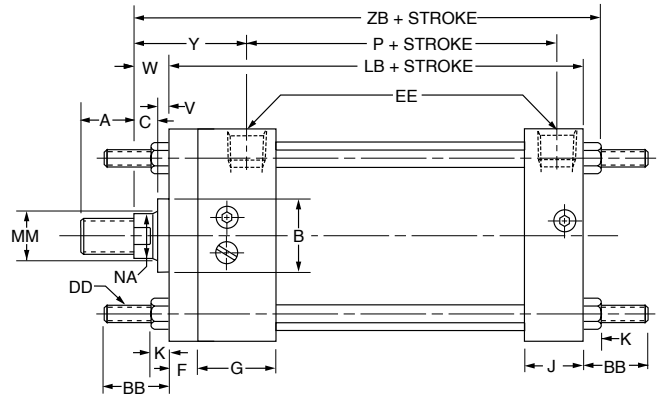
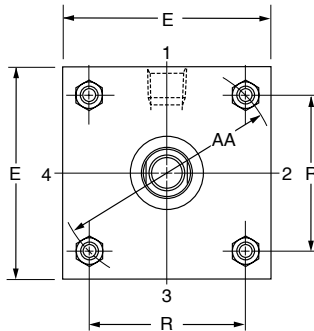
Tie Rods Extended Mountings  
1" to 6" Bore Sizes

## Tie Rods Extended Both Ends Mount

Model 51  
1", 1 1/2", 2", 2 1/2", 5" and 6" Bore  
With Maximum Oversize Rods



## Retainer Held Bushing

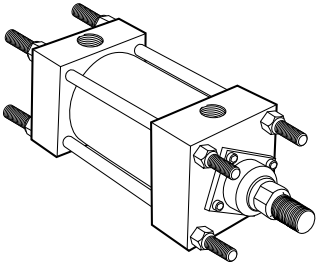


**Tie rods can be extended:**  
Both Ends — Model 51  
Cap End — Model 52  
Head End — Model 53  
All tie rod models can be dimensioned  
from Model 51 drawings shown.

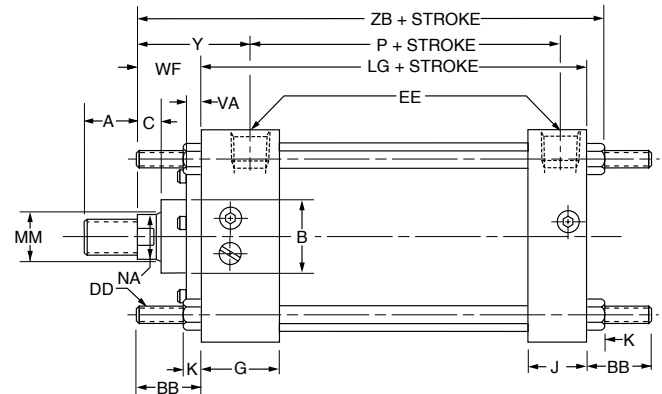
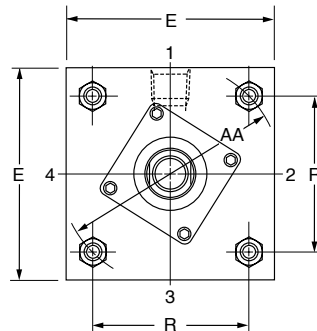
**Before determining dimensions:** See chart on page 3 for cylinder rod combinations that have removable bushings.

## Tie Rods Extended Both Ends Mount

Model 51  
1 1/2" - 6" Bore

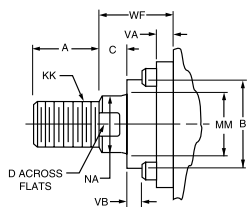


## Bolted Bushing

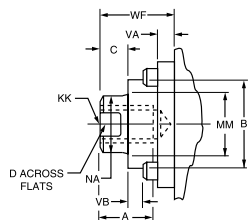


## Rod End Dimensions — see table 2

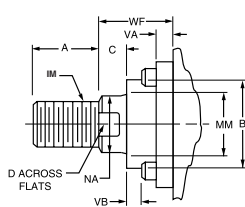
### Thread Style 2 Small Male



### Thread Style 4 Short Female



### Thread Style 5 Intermediate Male



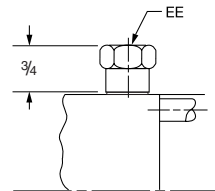
### "Special" Thread Style X

Special thread, extension, rod eye, blank, etc., are also available.

To order, specify "Style X" and give desired dimensions for KK, A, W or WF. If otherwise special, furnish dimensioned sketch.

### Straight Thread Port Adapters

Used on 1 1/2" bore size only.



A high strength rod end stud is supplied on thread style 2 through 2" diameter rods and on thread style 5 through 1 3/8" diameter rods. Larger sizes or special rod ends are cut threads. Style 2 rod ends are recommended where the workpiece is secured against the rod shoulder. When the workpiece is not shouldered, style 2

rod ends are recommended through 2" piston rod diameters and style 5 rod ends are recommended on larger diameters. Use style 4 for applications where female rod end threads are required. If rod end is not specified, style 2 will be supplied.

# Miller JV Series Medium-Duty Hydraulic Cylinders

Tie Rods Extended Mountings  
1" to 6" Bore Sizes

**Table 1—Envelope and Mounting Dimensions**

Bore	AA	BB	DD	E	EE		F	G	J	K	LB	LG	P	R
					NPTF <sup>o</sup>	SAE*								
1‡	1.53	3/4	10-24	■	1/4	6#	3/8	1 1/2	1	3/16	3 7/8	3 1/2	2 1/8	1.08
1 1/2	2.02	1	1/4-28	2	3/8†	6#	3/8	1 1/2	1	1/4	4	3 5/8	2 1/4	1.43
2	2.6	1 1/8	5/16-24	2 1/2	3/8†	6	3/8	1 1/2	1	5/16	4	3 5/8	2 1/4	1.84
2 1/2	3.1	1 1/8	5/16-24	3	3/8†	6	3/8	1 1/2	1	5/16	4 1/8	3 3/4	2 3/8	2.19
3 1/4	3.9	1 3/8	3/8-24	3 3/4	1/2	10	—	1 3/4	1 1/4	3/8	4 7/8	4 1/4	2 5/8	2.76
4	4.7	1 3/8	3/8-24	4 1/2	1/2	10	—	1 3/4	1 1/4	3/8	4 7/8	4 1/4	2 5/8	3.32
5	5.8	1 13/16	1/2-20	5 1/2	1/2	10	5/8	1 3/4	1 1/4	7/16	5 1/8	4 1/2	2 7/8	4.10
6	6.9	1 13/16	1/2-20	6 1/2	3/4	12	3/4	2	1 1/2	7/16	5 3/4	5	3 1/8	4.88

o NPTF ports will be furnished as standard unless SAE straight thread ports are specified.

\* SAE straight thread ports are indicated by port number.

■ 1" bore head is 1 3/4" x 1 1/2".

† On 1", 1 1/2", 2" and 2 1/2" bore sizes the head end (only) pipe thread is not full depth on cylinders with maximum oversize rods. Minimum of 3 full threads available.

‡ Cushion adjusting needle valve for 1" bore projects beyond sides of head and cap.  
# Straight thread ports. On 1 1/2" bore size an adapter fitting is required on cap end and on head end with maximum oversize rod. (See "Straight Thread Port Adapter" drawing.) Adapters are furnished as standard.

**Table 2—Rod End Dimensions and Envelope Dimensions Affected by Rod Size**

Bore	Rod Dia. MM	Thread		Rod End Dimensions and Envelope Dimensions Affected by Rod Size													
		Style 5 IM	Style 2 & 4 KK	A	+0.000 -0.002 B	BF	C	D	NA	V	VA	VB	W	WF	Y	ZB	
1	1/2	7/16-20	5/16-24	5/8	.999	—	3/8	3/8	7/16	1/4	—	—	5/8	—	1 15/16	4 11/16	
	5/8	1/2-20	7/16-20	3/4	1.124	—	3/8	1/2	9/16	1/4	—	—	5/8	—	1 15/16	4 11/16	
1 1/2	5/8	1/2-20	7/16-20	3/4	1.124	1.968	3/8	1/2	9/16	—	1/4	3/16	—	1	1 15/16	4 7/8	
	1	7/8-14	3/4-16	1 1/8	1.499	—	1/2	7/8	1 5/16	1/2	—	—	1	—	2 5/16	5 1/4	
2	5/8	1/2-20	7/16-20	3/4	1.124	1.968	3/8	1/2	9/16	—	1/4	3/16	—	1	1 15/16	4 15/16	
	1 3/8	1 1/4-12	1-14	1 5/8	1.999	—	5/8	1 1/8	1 5/16	5/8	—	—	1 1/4	—	2 9/16	5 9/16	
2 1/2	1	7/8-14	3/4-16	1 1/8	1.499	2.468	1/2	7/8	1 5/16	—	1/4	3/8	—	1 3/8	2 5/16	5 5/16	
	1 3/4	1 1/2-12	1 1/4-12	2	2.374	—	3/4	1 1/2	1 11/16	3/4	—	—	1 1/2	—	2 13/16	5 7/16	
3 1/4	1 3/8	1 1/4-12	1-14	1 5/8	1.999	2.968	5/8	1 1/8	1 5/16	5/8	—	—	1 1/4	—	2 9/16	5 11/16	
	5/8	1/2-20	7/16-20	3/4	1.124	2.468	3/8	1/2	9/16	—	1/4	3/16	—	1	1 5/16	5 1/16	
4	1	7/8-14	3/4-16	1 1/8	1.499	2.968	1/2	7/8	1 5/16	—	1/4	3/8	—	1 3/8	2 7/16	6	
	2	1 3/4-12	1 1/2-12	2 1/4	2.624	3.735	7/8	1 11/16	1 15/16	—	1/4	9/16	—	2	3 1/16	6 5/8	
5	1 3/8	1 1/4-12	1-14	1 5/8	1.999	2.968	5/8	1 1/8	1 5/16	—	1/4	1/2	—	1 5/8	2 11/16	6 1/4	
	1 3/4	1 1/2-12	1 1/4-12	2	2.374	3.735	3/4	1 1/2	1 11/16	—	1/4	9/16	—	1 7/8	2 15/16	6 1/2	
6	1 3/8	1 1/4-12	1-14	1 5/8	1.999	2.968	5/8	1 1/8	1 5/16	—	1/4	1/2	—	1 5/8	2 11/16	6 1/4	
	2 1/2	2 1/4-12	1 7/8-12	3	3.124	4.312	1	2 1/16	2 3/8	—	1/4	11/16	—	2 1/4	3 5/16	6 7/8	
7	1 3/4	1 1/2-12	1 1/4-12	2	2.374	3.735	3/4	1 1/2	1 11/16	—	1/4	9/16	—	1 7/8	2 15/16	6 1/2	
	3 1/2	3 1/4-12	2 1/2-12	3 1/2	4.249	5.562	1	3	3 3/8	5/8	—	—	1 5/8	—	3 5/16	7 3/16	
8	2	1 3/4-12	1 1/2-12	2 1/4	2.624	3.735	7/8	1 11/16	1 15/16	—	1/4	9/16	—	2	3 1/16	6 15/16	
	2 1/2	2 1/4-12	1 7/8-12	3	3.124	5.000	1	2 1/16	2 3/8	—	1/4	11/16	—	2 1/4	3 5/16	7 3/16	
9	3	2 3/4-12	2 1/4-12	3 1/2	3.749	5.000	1	2 5/8	2 7/8	5/8	—	—	1 5/8	—	3 5/16	7 3/16	
	1	7/8-14	3/4-16	1 1/8	1.499	2.968	1/2	7/8	1 5/16	—	1/4	3/8	—	1 3/8	2 7/16	6 5/16	
10	1 3/8	1 1/4-12	1-14	1 5/8	1.999	2.968	5/8	1 1/8	1 5/16	—	1/4	1/2	—	1 5/8	2 11/16	6 9/16	
	1 3/4	1 1/2-12	1 1/4-12	2	2.374	3.625	3/4	1 1/2	1 11/16	—	1/4	9/16	—	1 7/8	3 1/16	7 5/16	
11	4	3 3/4-12	3-12	4	4.749	6.062	1	3 3/8	3 7/8	1/2	—	—	1 1/2	—	3 7/16	7 11/16	
	2	1 3/4-12	1 1/2-12	2 1/4	2.624	4.312	7/8	1 11/16	1 15/16	—	1/4	9/16	—	2	3 3/16	7 7/16	
12	2 1/2	2 1/4-12	1 7/8-12	3	3.124	4.312	1	2 1/16	2 3/8	—	1/4	11/16	—	2 1/4	3 7/16	7 11/16	
	3	2 3/4-12	2 1/4-12	3 1/2	3.749	5.562	1	2 5/8	2 7/8	1/2	—	—	1 1/2	—	3 7/16	7 11/16	
13	3 1/2	3 1/4-12	2 1/2-12	3 1/2	4.249	5.562	1	3	3 3/8	1/2	—	—	1 1/2	—	3 7/16	7 11/16	
	1 3/8	1 1/4-12	1-14	1 5/8	1.999	3.625	5/8	1 1/8	1 5/16	—	1/4	7/16	—	1 5/8	2 13/16	7 1/16	

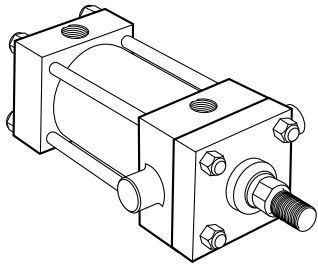
# Miller JV Series Medium-Duty Hydraulic Cylinders

Head Trunnion Mount  
1" to 6" Bore Sizes

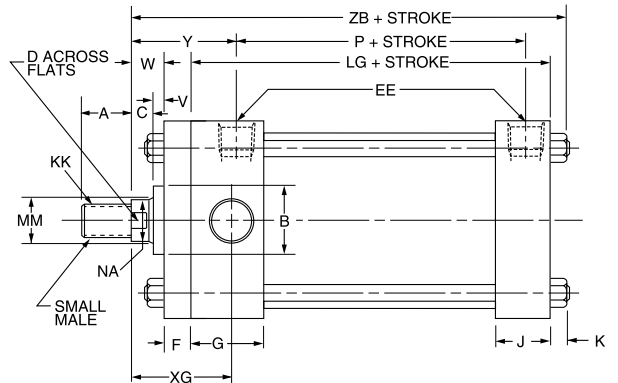
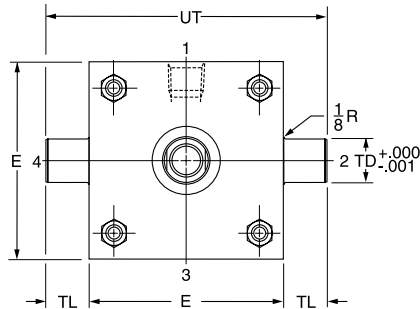
## Head Trunnion Mount

Model 81

1", 1 1/2", 2", 2 1/2", 5" and 6" Bore  
With Maximum Oversize Rods



## Retainer Held Bushing

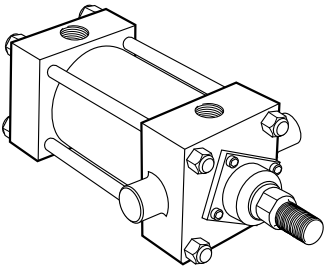


**Before determining dimensions:** See chart on page 3 for cylinder rod combinations that have removable bushings.

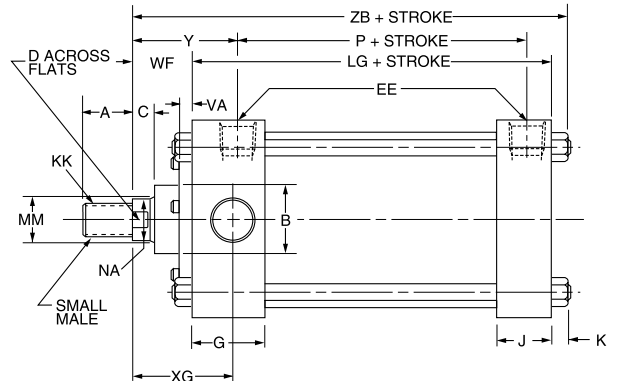
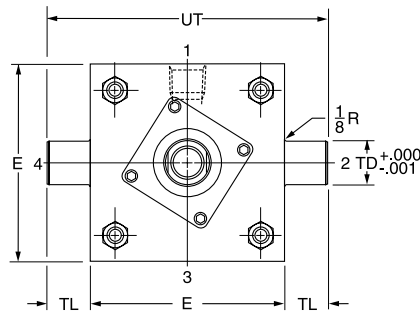
## Head Trunnion Mount

Model 81

1 1/2" - 6" Bore



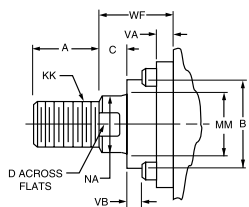
## Bolted Bushing



## Rod End Dimensions — see table 2

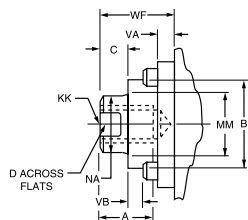
### Thread Style 2

Small Male



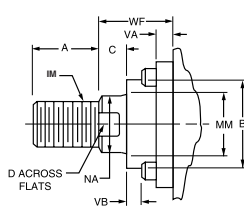
### Thread Style 4

Short Female



### Thread Style 5

Intermediate Male



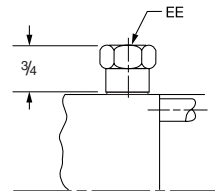
### "Special" Thread Style X

Special thread, extension, rod eye, blank, etc., are also available.

To order, specify "Style X" and give desired dimensions for KK, A, W or WF. If otherwise special, furnish dimensioned sketch.

### Straight Thread Port Adapters

Used on 1 1/2" bore size only.



A high strength rod end stud is supplied on thread style 2 through 2" diameter rods and on thread style 5 through 1 3/8" diameter rods. Larger sizes or special rod ends are cut threads. Style 2 rod ends are recommended where the workpiece is secured against the rod shoulder. When the workpiece is not shouldered, style 2

rod ends are recommended through 2" piston rod diameters and style 5 rod ends are recommended on larger diameters. Use style 4 for applications where female rod end threads are required. If rod end is not specified, style 2 will be supplied.

# Miller JV Series Medium-Duty Hydraulic Cylinders

Head Trunnion Mount  
1" to 6" Bore Sizes

**Table 1—Envelope and Mounting Dimensions**

Bore	E	EE		F	G	J	K	LG	P	+0.000 TD -0.001	TL	UT
		NPTF <sup>o</sup>	SAE*									
1‡	■	1/4	6#	3/8	1 1/2	1	3/16	3 1/2	2 1/8	.750	3/4	3
1 1/2	2	3/8†	6#	3/8	1 1/2	1	1/4	3 5/8	2 1/4	1.000	1	4
2	2 1/2	3/8†	6	3/8	1 1/2	1	5/16	3 5/8	2 1/4	1.000	1	4 1/2
2 1/2	3	3/8†	6	3/8	1 1/2	1	5/16	3 3/4	2 3/8	1.000	1	5
3 1/4	3 3/4	1/2	10	—	1 3/4	1 1/4	3/8	4 1/4	2 5/8	1.000	1	5 3/4
4	4 1/2	1/2	10	—	1 3/4	1 1/4	3/8	4 1/4	2 5/8	1.000	1	6 1/2
5	5 1/2	1/2	10	5/8	1 3/4	1 1/4	7/16	4 1/2	2 7/8	1.000	1	7 1/2
6	6 1/2	3/4	12	3/4	2	1 1/2	7/16	5	3 1/8	1.375	1 3/8	9 1/4

o NPTF ports will be furnished as standard unless SAE straight thread ports are specified.

\* SAE straight thread ports are indicated by port number.

■ 1" bore head is 1 3/4" x 1 1/2".

† On 1 1/2", 2" and 2 1/2" bore sizes the head end (only) pipe thread is not full depth on cylinders with maximum oversize rods. Minimum of 3 full threads available.

‡ Cushion adjusting needle valve for 1" bore projects beyond sides of head and cap.

# Straight thread ports. On 1 1/2" bore size an adapter fitting is required on cap end and on head end with maximum oversize rod. (See "Straight Thread Port Adapter" drawing.) Adapters are furnished as standard.

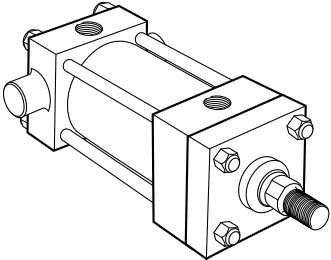
**Table 2—Rod End Dimensions and Envelope Dimensions Affected by Rod Size**

Bore	Rod Dia. MM	Thread		Rod End Dimensions and Envelope Dimensions Affected by Rod Size													
		Style 5 IM	Style 2 & 4 KK	A	+0.000 -0.002 B	C	D	NA	V	VA	VB	W	WF	XG	Y	ZB	
1	1/2	7/16-20	5/16-24	5/8	.999	3/8	3/8	7/16	1/4	—	—	5/8	—	1 3/4	1 15/16	4 11/16	
	5/8	1/2-20	7/16-20	3/4	1.124	3/8	1/2	9/16	1/4	—	—	5/8	—	1 3/4	1 15/16	4 11/16	
1 1/2	5/8	1/2-20	7/16-20	3/4	1.124	3/8	1/2	9/16	—	1/4	3/16	—	1	1 3/4	1 15/16	4 7/8	
	1	7/8-14	3/4-16	1 1/8	1.499	1/2	7/8	1 5/16	1/2	—	—	1	—	2 1/8	2 5/16	5 1/4	
2	5/8	1/2-20	7/16-20	3/4	1.124	3/8	1/2	9/16	—	1/4	3/16	—	1	1 3/4	1 15/16	4 15/16	
	1 3/8	1 1/4-12	1-14	1 5/8	1.999	5/8	1 1/8	1 5/16	5/8	—	—	1 1/4	—	2 3/8	2 9/16	5 9/16	
2 1/2	1	7/8-14	3/4-16	1 1/8	1.499	1/2	7/8	1 5/16	—	1/4	3/8	—	1 3/8	2 1/8	2 5/16	5 5/16	
	1 3/4	1 1/2-12	1 1/4-12	2	2.374	3/4	1 1/2	1 11/16	3/4	—	—	1 1/2	—	2 5/8	2 13/16	5 15/16	
3 1/4	1 3/8	1 1/4-12	1-14	1 5/8	1.999	5/8	1 1/8	1 5/16	5/8	—	—	1 1/4	—	2 3/8	2 9/16	5 11/16	
	5/8	1/2-20	7/16-20	3/4	1.124	3/8	1/2	9/16	—	1/4	3/16	—	1	1 3/4	1 15/16	5 1/16	
4	1	7/8-14	3/4-16	1 1/8	1.499	1/2	7/8	1 5/16	—	1/4	3/8	—	1 3/8	2 1/8	2 5/16	6	
	2	1 3/4-12	1 1/2-12	2 1/4	2.624	7/8	1 1/8	1 11/16	1 5/16	—	—	1 1/4	—	2	2 7/8	3 1/16	6 5/8
5	1 3/8	1 1/4-12	1-14	1 5/8	1.999	5/8	1 1/8	1 5/16	—	1/4	1/2	—	1 5/8	2 1/2	2 11/16	6 1/4	
	1 3/4	1 1/2-12	1 1/4-12	2	2.374	3/4	1 1/2	1 11/16	—	1/4	9/16	—	1 7/8	2 3/4	2 15/16	6 1/2	
6	1 3/8	1 1/4-12	1-14	1 5/8	1.999	5/8	1 1/8	1 5/16	—	1/4	1/2	—	1 5/8	2 1/2	2 11/16	6 1/4	
	2 1/2	2 1/4-12	1 7/8-12	3	3.124	1	2 1/16	2 3/8	—	1/4	11/16	—	2 1/4	3 1/8	3 5/16	6 7/8	
7	1 3/4	1 1/2-12	1 1/4-12	2	2.374	3/4	1 1/2	1 11/16	—	1/4	9/16	—	1 7/8	2 3/4	2 15/16	6 1/2	
	2	1 3/4-12	1 1/2-12	2 1/4	2.624	7/8	1 1/8	1 11/16	1 5/16	—	1/4	9/16	—	2	2 7/8	3 1/16	6 5/8
8	1	7/8-14	3/4-16	1 1/8	1.499	1/2	7/8	1 5/16	—	1/4	3/8	—	1 3/8	2 1/4	2 7/16	6	
	1 3/8	1 1/4-12	1-14	1 5/8	1.999	5/8	1 1/8	1 5/16	—	1/4	1/2	—	1 5/8	2 1/2	2 11/16	6 9/16	
9	1 3/4	1 1/2-12	1 1/4-12	2	2.374	3/4	1 1/2	1 11/16	—	1/4	9/16	—	1 7/8	2 7/8	3 1/16	7 5/16	
	4	3 3/4-12	3-12	4	4.749	1	3 3/8	3 7/8	1/2	—	—	1 1/2	—	3 1/4	3 7/16	7 11/16	
10	2	1 3/4-12	1 1/2-12	2 1/4	2.624	7/8	1 1/8	1 11/16	1 5/16	—	1/4	9/16	—	2	3	3 3/16	7 7/16
	2 1/2	2 1/4-12	1 7/8-12	3	3.124	1	2 1/16	2 3/8	—	1/4	11/16	—	2 1/4	3 1/4	3 7/16	7 11/16	
11	3	2 3/4-12	2 1/4-12	3 1/2	3.749	1	2 5/8	2 7/8	1/2	—	—	1 1/2	—	3 1/4	3 7/16	7 11/16	
	3 1/2	3 1/4-12	2 1/2-12	3 1/2	4.249	1	3	3 3/8	1/2	—	—	1 1/2	—	3 1/4	3 7/16	7 11/16	
12	1 3/8	1 1/4-12	1-14	1 5/8	1.999	5/8	1 1/8	1 5/16	—	1/4	7/16	—	1 5/8	2 5/8	2 13/16	7 1/16	

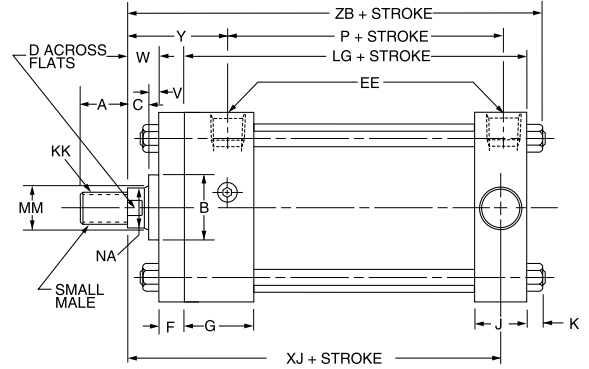
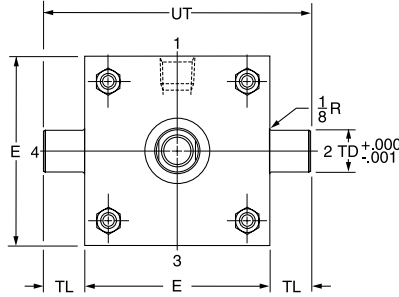
# Miller JV Series Medium-Duty Hydraulic Cylinders

Cap Trunnion Mount  
1" to 6" Bore Sizes

**Cap Trunnion Mount**  
Model 82  
1", 1 1/2", 2", 2 1/2", 5" and 6" Bore  
With Maximum Oversize Rods

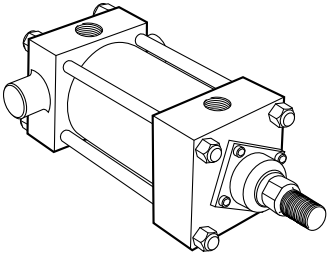


**Retainer Held Bushing**

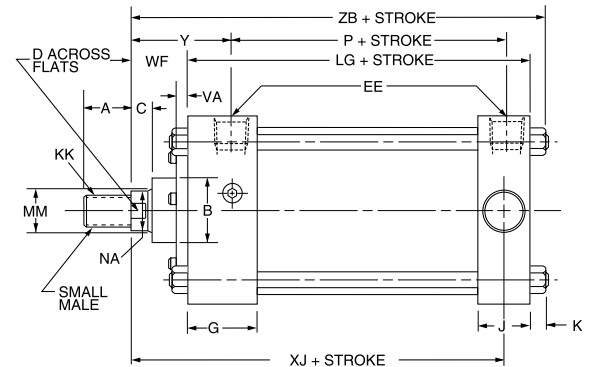
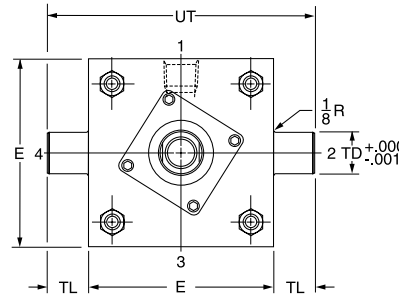


**Before determining dimensions:** See chart on page 3 for cylinder rod combinations that have removable bushings.

**Cap Trunnion Mount**  
Model 82  
1 1/2" - 6" Bore

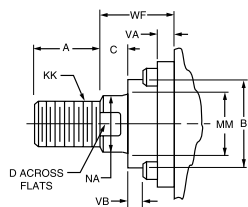


**Bolted Bushing**

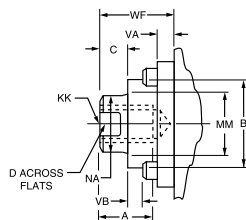


**Rod End Dimensions — see table 2**

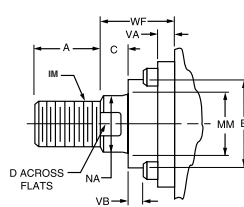
**Thread Style 2**  
Small Male



**Thread Style 4**  
Short Female



**Thread Style 5**  
Intermediate Male



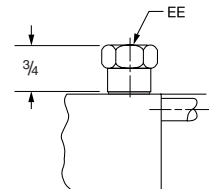
**"Special" Thread Style X**

Special thread, extension, rod eye, blank, etc., are also available.

To order, specify "Style X" and give desired dimensions for KK, A, W or WF. If otherwise special, furnish dimensioned sketch.

**Straight Thread Port Adapters**

Used on 1 1/2" bore size only.



A high strength rod end stud is supplied on thread style 2 through 2" diameter rods and on thread style 5 through 1 3/8" diameter rods. Larger sizes or special rod ends are cut threads. Style 2 rod ends are recommended where the workpiece is secured against the rod shoulder. When the workpiece is not shouldered, style 2

rod ends are recommended through 2" piston rod diameters and style 5 rod ends are recommended on larger diameters. Use style 4 for applications where female rod end threads are required. If rod end is not specified, style 2 will be supplied.

# Miller JV Series Medium-Duty Hydraulic Cylinders

Cap Trunnion Mount  
1" to 6" Bore Sizes

**Table 1—Envelope and Mounting Dimensions**

Bore	E	EE		F	G	J	K	LG	P	+.000 TD -.001	TL	UT
		NPTF <sup>o</sup>	SAE*									
1‡	■	1/4	6#	3/8	1 1/2	1	3/16	3 1/2	2 1/8	.750	3/4	3
1 1/2	2	3/8†	6#	3/8	1 1/2	1	1/4	3 5/8	2 1/4	1.000	1	4
2	2 1/2	3/8†	6	3/8	1 1/2	1	5/16	3 5/8	2 1/4	1.000	1	4 1/2
2 1/2	3	3/8†	6	3/8	1 1/2	1	5/16	3 3/4	2 3/8	1.000	1	5
3 1/4	3 3/4	1/2	10	-	1 3/4	1 1/4	3/8	4 1/4	2 5/8	1.000	1	5 3/4
4	4 1/2	1/2	10	-	1 3/4	1 1/4	3/8	4 1/4	2 5/8	1.000	1	6 1/2
5	5 1/2	1/2	10	5/8	1 3/4	1 1/4	7/16	4 1/2	2 7/8	1.000	1	7 1/2
6	6 1/2	3/4	12	3/4	2	1 1/2	7/16	5	3 1/8	1.375	1 3/8	9 1/4

o NPTF ports will be furnished as standard unless SAE straight thread ports are specified.

\* SAE straight thread ports are indicated by port number.

■ 1" bore head is 1 3/4" x 1 1/2".

† On 1 1/2", 2" and 2 1/2" bore sizes the head end (only) pipe thread is not full depth on cylinders with maximum oversize rods. Minimum of 3 full threads available.

‡ Cushion adjusting needle valve for 1" bore projects beyond sides of head and cap.

# Straight thread ports. On 1 1/2" bore size an adapter fitting is required on cap end and on head end with maximum oversize rod. (See "Straight Thread Port Adapter" drawing.) Adapters are furnished as standard.

**Table 2—Rod End Dimensions and Envelope Dimensions Affected by Rod Size**

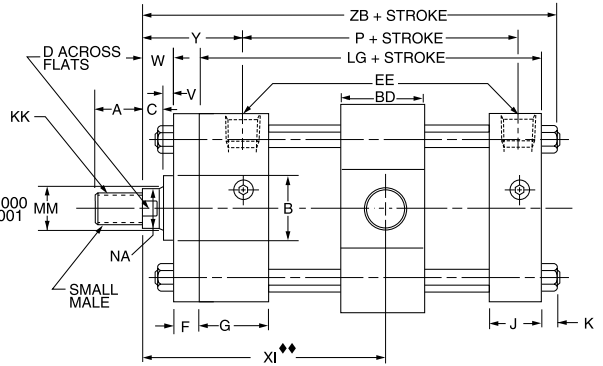
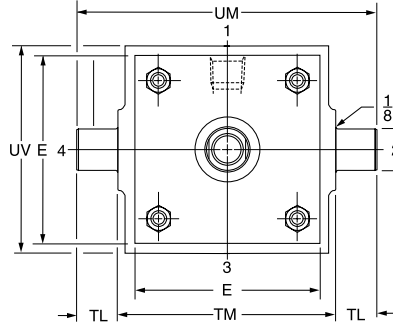
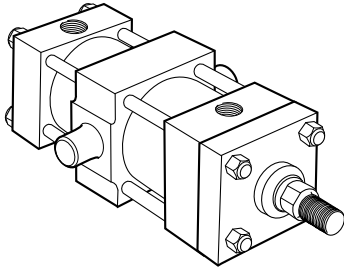
Bore	Rod Dia. MM	Thread		Rod End Dimensions and Envelope Dimensions Affected by Rod Size													
		Style 5 IM	Style 2 & 4 KK	A	+.000 -.002 B	C	D	NA	V	VA	VB	W	WF	XJ	Y	ZB	
1	1/2	7/16-20	5/16-24	5/8	.999	3/8	3/8	7/16	1/4	—	—	5/8	—	4	1 <sup>15</sup> / <sub>16</sub>	4 <sup>11</sup> / <sub>16</sub>	
	5/8	1/2-20	7/16-20	3/4	1.124	3/8	1/2	9/16	1/4	—	—	5/8	—	4	1 <sup>15</sup> / <sub>16</sub>	4 <sup>11</sup> / <sub>16</sub>	
1 1/2	5/8	1/2-20	7/16-20	3/4	1.124	3/8	1/2	9/16	—	1/4	3/16	—	1	4 1/8	1 <sup>15</sup> / <sub>16</sub>	4 <sup>7</sup> / <sub>8</sub>	
	1	7/8-14	3/4-16	1 1/8	1.499	1/2	7/8	1 <sup>5</sup> / <sub>16</sub>	1/2	—	—	1	—	4 1/2	2 <sup>5</sup> / <sub>16</sub>	5 1/4	
2	5/8	1/2-20	7/16-20	3/4	1.124	3/8	1/2	9/16	—	1/4	3/16	—	1	4 1/8	1 <sup>15</sup> / <sub>16</sub>	4 <sup>15</sup> / <sub>16</sub>	
	1 3/8	1 1/4-12	1-14	1 5/8	1.999	5/8	1 1/8	1 <sup>5</sup> / <sub>16</sub>	5/8	—	—	1 1/4	—	4 <sup>3</sup> / <sub>4</sub>	2 <sup>9</sup> / <sub>16</sub>	5 <sup>9</sup> / <sub>16</sub>	
2 1/2	1	7/8-14	3/4-16	1 1/8	1.499	1/2	7/8	1 <sup>5</sup> / <sub>16</sub>	—	1/4	3/8	—	1 3/8	4 1/2	2 <sup>5</sup> / <sub>16</sub>	5 <sup>5</sup> / <sub>16</sub>	
	1 3/4	1 1/2-12	1 1/4-12	2	2.374	3/4	1 1/2	1 <sup>11</sup> / <sub>16</sub>	3/4	—	—	1 1/2	—	5 1/8	2 <sup>13</sup> / <sub>16</sub>	5 <sup>15</sup> / <sub>16</sub>	
3 1/4	1 3/8	1 1/4-12	1-14	1 5/8	1.999	5/8	1 1/8	1 <sup>5</sup> / <sub>16</sub>	5/8	—	—	1 1/4	—	4 <sup>7</sup> / <sub>8</sub>	2 <sup>9</sup> / <sub>16</sub>	5 <sup>11</sup> / <sub>16</sub>	
	1 1/2	1 1/2-12	1 1/4-12	2	2.374	3/4	1 1/2	1 <sup>11</sup> / <sub>16</sub>	—	1/4	9/16	—	1 1/8	5 1/8	2 <sup>13</sup> / <sub>16</sub>	5 <sup>15</sup> / <sub>16</sub>	
4	1	7/8-14	3/4-16	1 1/8	1.499	1/2	7/8	1 <sup>5</sup> / <sub>16</sub>	—	1/4	3/8	—	1 3/8	5	2 <sup>7</sup> / <sub>16</sub>	6	
	2	1 3/4-12	1 1/2-12	2 1/4	2.624	7/8	1 11/16	1 <sup>15</sup> / <sub>16</sub>	—	1/4	9/16	—	2	5 <sup>5</sup> / <sub>8</sub>	3 <sup>1</sup> / <sub>16</sub>	6 <sup>5</sup> / <sub>8</sub>	
5	1 3/8	1 1/4-12	1-14	1 5/8	1.999	5/8	1 1/8	1 <sup>5</sup> / <sub>16</sub>	—	1/4	1/2	—	1 5/8	5 1/4	2 <sup>11</sup> / <sub>16</sub>	6 1/4	
	2 1/2	2 1/4-12	1 7/8-12	3	3.124	1	2 1/16	2 <sup>3</sup> / <sub>8</sub>	—	1/4	11/16	—	2 1/4	5 <sup>7</sup> / <sub>8</sub>	3 <sup>5</sup> / <sub>16</sub>	6 <sup>7</sup> / <sub>8</sub>	
6	1 3/4	1 1/2-12	1 1/4-12	2	2.374	3/4	1 1/2	1 <sup>11</sup> / <sub>16</sub>	—	1/4	9/16	—	1 7/8	5 1/2	2 <sup>15</sup> / <sub>16</sub>	6 1/2	
	2	1 3/4-12	1 1/2-12	2 1/4	2.624	7/8	1 11/16	1 <sup>15</sup> / <sub>16</sub>	—	1/4	9/16	—	2	5 <sup>5</sup> / <sub>8</sub>	3 <sup>1</sup> / <sub>16</sub>	6 <sup>5</sup> / <sub>8</sub>	
7	1 1/2	1 1/2-12	1 1/4-12	2	2.374	3/4	1 1/2	1 <sup>11</sup> / <sub>16</sub>	—	1/4	9/16	—	1 7/8	5 3/4	2 <sup>15</sup> / <sub>16</sub>	6 <sup>13</sup> / <sub>16</sub>	
	2 1/2	2 1/4-12	1 7/8-12	3	3.124	1	2 1/16	2 <sup>3</sup> / <sub>8</sub>	—	1/4	11/16	—	2 1/4	5 <sup>7</sup> / <sub>8</sub>	3 <sup>5</sup> / <sub>16</sub>	6 <sup>7</sup> / <sub>8</sub>	
8	1 3/4	1 1/2-12	1 1/4-12	2	2.374	3/4	1 1/2	1 <sup>11</sup> / <sub>16</sub>	—	1/4	9/16	—	1 7/8	5 3/4	2 <sup>15</sup> / <sub>16</sub>	6 <sup>13</sup> / <sub>16</sub>	
	2 1/2	2 1/4-12	1 7/8-12	3	3.124	1	2 1/16	2 <sup>3</sup> / <sub>8</sub>	—	1/4	11/16	—	2 1/4	5 <sup>7</sup> / <sub>8</sub>	3 <sup>5</sup> / <sub>16</sub>	6 <sup>7</sup> / <sub>8</sub>	
9	1 1/2	1 1/2-12	1 1/4-12	2	2.374	3/4	1 1/2	1 <sup>11</sup> / <sub>16</sub>	—	1/4	9/16	—	1 7/8	5 3/4	2 <sup>15</sup> / <sub>16</sub>	6 <sup>13</sup> / <sub>16</sub>	
	2 1/2	2 1/4-12	1 7/8-12	3	3.124	1	2 1/16	2 <sup>3</sup> / <sub>8</sub>	—	1/4	11/16	—	2 1/4	5 <sup>7</sup> / <sub>8</sub>	3 <sup>5</sup> / <sub>16</sub>	6 <sup>7</sup> / <sub>8</sub>	
10	1 3/4	1 1/2-12	1 1/4-12	2	2.374	3/4	1 1/2	1 <sup>11</sup> / <sub>16</sub>	—	1/4	9/16	—	1 7/8	5 3/4	2 <sup>15</sup> / <sub>16</sub>	6 <sup>13</sup> / <sub>16</sub>	
	2 1/2	2 1/4-12	1 7/8-12	3	3.124	1	2 1/16	2 <sup>3</sup> / <sub>8</sub>	—	1/4	11/16	—	2 1/4	5 <sup>7</sup> / <sub>8</sub>	3 <sup>5</sup> / <sub>16</sub>	6 <sup>7</sup> / <sub>8</sub>	
11	1 1/2	1 1/2-12	1 1/4-12	2	2.374	3/4	1 1/2	1 <sup>11</sup> / <sub>16</sub>	—	1/4	9/16	—	1 7/8	5 3/4	2 <sup>15</sup> / <sub>16</sub>	6 <sup>13</sup> / <sub>16</sub>	
	2 1/2	2 1/4-12	1 7/8-12	3	3.124	1	2 1/16	2 <sup>3</sup> / <sub>8</sub>	—	1/4	11/16	—	2 1/4	5 <sup>7</sup> / <sub>8</sub>	3 <sup>5</sup> / <sub>16</sub>	6 <sup>7</sup> / <sub>8</sub>	
12	1 3/4	1 1/2-12	1 1/4-12	2	2.374	3/4	1 1/2	1 <sup>11</sup> / <sub>16</sub>	—	1/4	9/16	—	1 7/8	5 3/4	2 <sup>15</sup> / <sub>16</sub>	6 <sup>13</sup> / <sub>16</sub>	
	2 1/2	2 1/4-12	1 7/8-12	3	3.124	1	2 1/16	2 <sup>3</sup> / <sub>8</sub>	—	1/4	11/16	—	2 1/4	5 <sup>7</sup> / <sub>8</sub>	3 <sup>5</sup> / <sub>16</sub>	6 <sup>7</sup> / <sub>8</sub>	
13	1 1/2	1 1/2-12	1 1/4-12	2	2.374	3/4	1 1/2	1 <sup>11</sup> / <sub>16</sub>	—	1/4	9/16	—	1 7/8	5 3/4	2 <sup>15</sup> / <sub>16</sub>	6 <sup>13</sup> / <sub>16</sub>	
	2 1/2	2 1/4-12	1 7/8-12	3	3.124	1	2 1/16	2 <sup>3</sup> / <sub>8</sub>	—	1/4	11/16	—	2 1/4	5 <sup>7</sup> / <sub>8</sub>	3 <sup>5</sup> / <sub>16</sub>	6 <sup>7</sup> / <sub>8</sub>	
14	1 3/4	1 1/2-12	1 1/4-12	2	2.374	3/4	1 1/2	1 <sup>11</sup> / <sub>16</sub>	—	1/4	9/16	—	1 7/8	5 3/4	2 <sup>15</sup> / <sub>16</sub>	6 <sup>13</sup> / <sub>16</sub>	
	2 1/2	2 1/4-12	1 7/8-12	3	3.124	1	2 1/16	2 <sup>3</sup> / <sub>8</sub>	—	1/4	11/16	—	2 1/4	5 <sup>7</sup> / <sub>8</sub>	3 <sup>5</sup> / <sub>16</sub>	6 <sup>7</sup> / <sub>8</sub>	
15	1 1/2	1 1/2-12	1 1/4-12	2	2.374	3/4	1 1/2	1 <sup>11</sup> / <sub>16</sub>	—	1/4	9/16	—	1 7/8	5 3/4	2 <sup>15</sup> / <sub>16</sub>	6 <sup>13</sup> / <sub>16</sub>	
	2 1/2	2 1/4-12	1 7/8-12	3	3.124	1	2 1/16	2 <sup>3</sup> / <sub>8</sub>	—	1/4	11/16	—	2 1/4	5 <sup>7</sup> / <sub>8</sub>	3 <sup>5</sup> / <sub>16</sub>	6 <sup>7</sup> / <sub>8</sub>	
16	1 3/4	1 1/2-12	1 1/4-12	2	2.374	3/4	1 1/2	1 <sup>11</sup> / <sub>16</sub>	—	1/4	9/16	—	1 7/8	5 3/4	2 <sup>15</sup> / <sub>16</sub>	6 <sup>13</sup> / <sub>16</sub>	
	2 1/2	2 1/4-12	1 7/8-12	3	3.124	1	2 1/16	2 <sup>3</sup> / <sub>8</sub>	—	1/4	11/16	—	2 1/4	5 <sup>7</sup> / <sub>8</sub>	3 <sup>5</sup> / <sub>16</sub>	6 <sup>7</sup> / <sub>8</sub>	
17	1 1/2	1 1/2-12	1 1/4-12	2	2.374	3/4	1 1/2	1 <sup>11</sup> / <sub>16</sub>	—	1/4	9/16	—	1 7/8	5 3/4	2 <sup>15</sup> / <sub>16</sub>	6 <sup>13</sup> / <sub>16</sub>	
	2 1/2	2 1/4-12	1 7/8-12	3	3.124	1	2 1/16	2 <sup>3</sup> / <sub>8</sub>	—	1/4	11/16	—	2 1/4	5 <sup>7</sup> / <sub>8</sub>	3 <sup>5</sup> / <sub>16</sub>	6 <sup>7</sup> / <sub>8</sub>	
18	1 3/4	1 1/2-12	1 1/4-12	2	2.374	3/4	1 1/2	1 <sup>11</sup> / <sub>16</sub>	—	1/4	9/16	—	1 7/8	5 3/4	2 <sup>15</sup> / <sub>16</sub>	6 <sup>13</sup> / <sub>16</sub>	
	2 1/2	2 1/4-12	1 7/8-12	3	3.124	1	2 1/16	2 <sup>3</sup> / <sub>8</sub>	—	1/4	11/16	—	2 1/4	5 <sup>7</sup> / <sub>8</sub>	3 <sup>5</sup> / <sub>16</sub>	6 <sup>7</sup> / <sub>8</sub>	
19	1 1/2	1 1/2-12	1 1/4-12	2	2.374	3/4	1 1/2	1 <sup>11</sup> / <sub>16</sub>	—	1/4	9/16	—	1 7/8	5 3/4	2 <sup>15</sup> / <sub>16</sub>	6 <sup>13</sup> / <sub>16</sub>	
	2 1/2	2 1/4-12	1 7/8-12	3	3.124	1	2 1/16	2 <sup>3</sup> / <sub>8</sub>	—	1/4	11/16	—	2 1/4	5 <sup>7</sup> / <sub>8</sub>	3 <sup>5</sup> / <sub>16</sub>	6 <sup>7</sup> / <sub>8</sub>	
20	1 3/4	1 1/2-12	1 1/4-12	2	2.374	3/4	1 1/2	1 <sup>11</sup> / <sub>16</sub>	—	1/4	9/16	—	1 7/8	5 3/4	2 <sup>15</sup> / <sub>16</sub>	6 <sup>13</sup> / <sub>16</sub>	
	2 1/2	2 1/4-12	1 7/8-12	3	3.124	1	2 1/16	2 <sup>3</sup> / <sub>8</sub>	—	1/4	11/16	—	2 1/4	5 <sup>7</sup> / <sub>8</sub>	3 <sup>5</sup> / <sub>16</sub>	6 <sup>7</sup> / <sub>8</sub>	
21	1 1/2	1 1/2-12	1 1/4-12	2	2.374	3/4	1 1/2	1 <sup>11</sup> / <sub>16</sub>	—	1/4	9/16	—	1 7/8	5 3/4	2 <sup>15</sup> / <sub>16</sub>	6 <sup>13</sup> / <sub>16</sub>	
	2 1/2	2 1/4-12	1 7/8-12	3	3.124	1	2 1/16	2 <sup>3</sup> / <sub>8</sub>	—	1/4	11/16	—	2 1/4	5 <sup>7</sup> / <sub>8</sub>	3 <sup>5</sup> / <sub>16</sub>	6 <sup>7</sup> / <sub>8</sub>	
22	1 3/4	1 1/2-12	1 1/4-12	2	2.374	3/4	1 1/2	1 <sup>11</sup> / <sub>16</sub>	—	1/4	9/16	—	1 7/8	5 3/4	2 <sup>15</sup> / <sub>16</sub>	6 <sup>13</sup> / <sub>16</sub>	
	2 1/2	2 1/4-12	1 7/8-12	3	3.124	1	2 1/16	2 <sup>3</sup> / <sub>8</sub>	—	1/4	11/16	—	2 1/4	5 <sup>7</sup> / <sub>8</sub>	3 <sup>5</sup> / <sub>16</sub>	6 <sup>7</sup> / <sub>8</sub>	
23	1 1/2	1 1/2-12	1 1/4-12	2	2.374	3/4	1 1/2	1 <sup>11</sup> / <sub>16</sub>	—	1/4	9/16	—	1 7/8	5 3/4	2 <sup>15</sup> / <sub>16</sub>	6 <sup>13</sup> / <sub>16</sub>	
	2 1/2	2 1/4-12	1 7/8-12	3	3.124	1	2 1/16	2 <sup>3</sup> / <sub>8</sub>	—	1/4	11/16	—	2 1/4	5 <sup>7</sup> / <sub>8</sub>	3 <sup>5</sup> / <sub>16</sub>	6 <sup>7</sup> / <sub>8</sub>	
24	1 3/4	1 1/2-12</															

# Miller JV Series Medium-Duty Hydraulic Cylinders

Intermediate Trunnion Mount  
1 1/2" to 6" Bore Sizes

**Intermediate Trunnion Mount**  
Model 89  
1 1/2", 2", 2 1/2", 5" and 6" Bore  
With Maximum Oversize Rods

**Retainer Held Bushing**

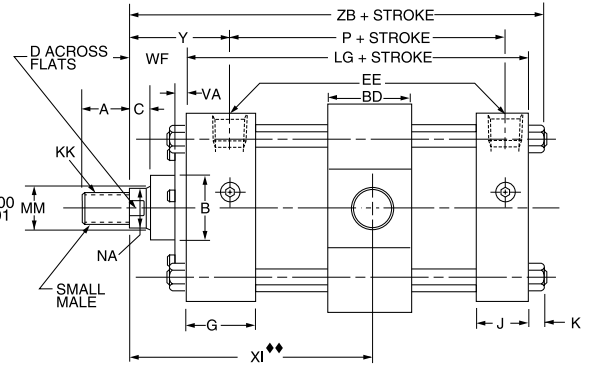
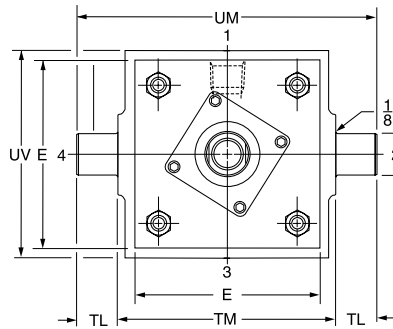
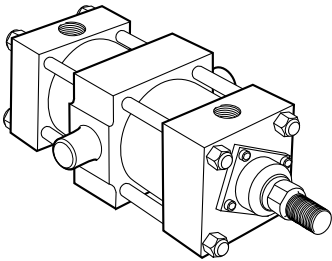


◆◆Dimension "XI" to be specified by customer.

**Before determining dimensions:** See chart on page 3 for cylinder rod combinations that have removable bushings.

**Intermediate Trunnion Mount**  
Model 89  
1 1/2" - 6" Bore

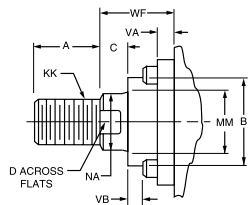
**Bolted Bushing**



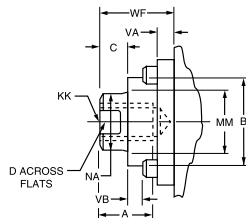
◆◆Dimension "XI" to be specified by customer.

## Rod End Dimensions — see table 2

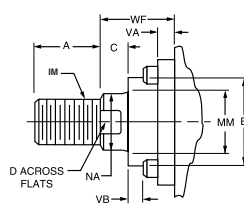
**Thread Style 2**  
Small Male



**Thread Style 4**  
Short Female



**Thread Style 5**  
Intermediate Male



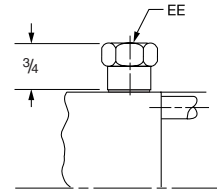
**"Special" Thread Style X**

Special thread, extension, rod eye, blank, etc., are also available.

To order, specify "Style X" and give desired dimensions for KK, A, W or WF. If otherwise special, furnish dimensioned sketch.

**Straight Thread Port Adapters**

Used on 1 1/2" bore size only.



A high strength rod end stud is supplied on thread style 2 through 2" diameter rods and on thread style 5 through 1 3/8" diameter rods. Larger sizes or special rod ends are cut threads. Style 2 rod ends are recommended where the workpiece is secured against the rod shoulder. When the workpiece is not shouldered, style 2

rod ends are recommended through 2" piston rod diameters and style 5 rod ends are recommended on larger diameters. Use style 4 for applications where female rod end threads are required. If rod end is not specified, style 2 will be supplied.



# Miller JV Series Medium-Duty Hydraulic Cylinders

Intermediate Trunnion Mount  
1 1/2" to 6" Bore Sizes

Table 1—Envelope and Mounting Dimensions

Bore	BD	E	EE		F	G	J	K	LG	P	+.000 TD -.001	TL	TM	UM	UV	Min. Stroke
			NPTF <sup>o</sup>	SAE*												
1 1/2	1 1/4	2	3/8†	6#	3/8	1 1/2	1	1/4	3 5/8	2 1/4	1.000	1	2 1/2	4 1/2	2 1/2	1/4
2	1 1/2	2 1/2	3/8†	6#	3/8	1 1/2	1	5/16	3 5/8	2 1/4	1.000	1	3	5	3	1/2
2 1/2	1 1/2	3	3/8†	6	3/8	1 1/2	1	5/16	3 3/4	2 3/8	1.000	1	3 1/2	5 1/2	3 1/2	3/8
3 1/4	2	3 3/4	1/2	10	—	1 3/4	1 1/4	3/8	4 1/4	2 5/8	1.000	1	4 1/2	6 1/2	4 1/4	7/8
4	2	4 1/2	1/2	10	—	1 3/4	1 1/4	3/8	4 1/4	2 5/8	1.000	1	5 1/4	7 1/4	5	7/8
5	2	5 1/2	1/2	10	5/8	1 3/4	1 1/4	7/16	4 1/2	2 7/8	1.000	1	6 1/4	8 1/4	6	5/8
6	2 1/2	6 1/2	3/4	12	3/4	2	1 1/2	7/16	5	3 1/8	1.375	1 3/8	7 5/8	10 3/8	7	1 1/8

o NPTF ports will be furnished as standard unless SAE straight thread ports are specified.

\* SAE straight thread ports are indicated by port number.

† On 1", 1 1/2", 2" and 2 1/2" bore sizes the head end (only) pipe thread is not full depth on cylinders with maximum oversize rods. Minimum of 3 full threads available.

# Straight thread ports on 1" bore size require an adapter fitting on the head end only. On 1 1/2" bore size an adapter fitting is required on cap end and on head end with maximum oversize rod. (See "Straight Thread Port Adapter" drawing.) Adapters are furnished as standard.

Table 2—Rod End Dimensions and Envelope Dimensions Affected by Rod Size

Bore	Rod Dia. MM	Thread		Rod End Dimensions and Envelope Dimensions Affected by Rod Size												
		Style 5 IM	Style 2 & 4 KK	A	+.000 -.002 B	C	D	NA	V	VA	VB	W	WF	Min◆◆ XI	Y	ZB
1 1/2"	5/8	1/2-20	3/4	1.124	3/8	1/2	9/16	—	1/4	3/16	—	1	3 3/16	1 15/16	4 7/8	
	1	7/8-14	3/4-16	1 1/8	1.499	1/2	7/8	15/16	1/2	—	—	1	—	3 9/16	2 5/16	5 1/4
2	5/8	1/2-20	7/16-20	3/4	1.124	3/8	1/2	9/16	—	1/4	3/16	—	1	3 5/16	1 15/16	4 15/16
	1 3/8	1 1/4-12	1-14	1 5/8	1.999	5/8	1 1/8	1 5/16	5/8	—	—	1 1/4	—	3 15/16	2 9/16	5 9/16
2 1/2	1	7/8-14	3/4-16	1 1/8	1.499	1/2	7/8	15/16	—	1/4	3/8	—	1 3/8	3 11/16	2 5/16	5 5/16
	1 3/4	1 1/2-12	1 1/4-12	2	2.374	3/4	1 1/2	1 11/16	3/4	—	—	1 1/2	—	4 3/16	2 13/16	5 15/16
3 1/4	1 3/8	1 1/4-12	1-14	1 5/8	1.999	5/8	1 1/8	1 5/16	5/8	—	—	1 1/4	—	3 15/16	2 9/16	5 11/16
	5/8	1/2-20	7/16-20	3/4	1.124	3/8	1/2	9/16	—	1/4	3/16	—	1	3 5/16	1 15/16	5 1/16
4	1	7/8-14	3/4-16	1 1/8	1.499	1/2	7/8	15/16	—	1/4	3/8	—	1 3/8	4 3/16	2 7/16	6
	2	1 3/4-12	1 1/2-12	2 1/4	2.624	7/8	1 11/16	1 15/16	—	1/4	9/16	—	2	4 13/16	3 1/16	6 5/8
5	1 3/8	1 1/4-12	1-14	1 5/8	1.999	5/8	1 1/8	1 5/16	—	1/4	1/2	—	1 5/8	4 7/16	2 11/16	6 1/4
	1 3/4	1 1/2-12	1 1/4-12	2	2.374	3/4	1 1/2	1 11/16	—	1/4	9/16	—	1 7/8	4 11/16	2 15/16	6 1/2
6	1 3/8	1 1/4-12	1-14	1 5/8	1.999	5/8	1 1/8	1 5/16	—	1/4	1/2	—	1 5/8	4 7/16	2 11/16	6 1/4
	2 1/2	2 1/4-12	1 7/8-12	3	3.124	1	2 1/16	2 3/8	—	1/4	1 1/16	—	2 1/4	5 1/16	3 5/16	6 7/8
7	1 3/4	1 1/2-12	1 1/4-12	2	2.374	3/4	1 1/2	1 11/16	—	1/4	9/16	—	1 7/8	4 11/16	2 15/16	6 1/2
	2	1 3/4-12	1 1/2-12	2 1/4	2.624	7/8	1 11/16	1 15/16	—	1/4	9/16	—	2	4 13/16	3 1/16	6 5/8
8	1	7/8-14	3/4-16	1 1/8	1.499	1/2	7/8	15/16	—	1/4	3/8	—	1 3/8	4 3/16	2 7/16	6
	1 3/8	1 1/4-12	1-14	1 5/8	1.999	5/8	1 1/8	1 5/16	—	1/4	1/2	—	1 5/8	4 7/16	2 11/16	6 1/4
9	1 3/4	1 1/2-12	1 1/4-12	2	2.374	3/4	1 1/2	1 11/16	—	1/4	9/16	—	1 7/8	4 11/16	2 15/16	6 1/2
	4	3 3/4-12	3-12	4	4.749	1	3 3/8	3 7/8	1/2	—	—	1 1/2	—	5 9/16	3 7/16	7 11/16
10	2	1 3/4-12	1 1/2-12	2 1/4	2.624	7/8	1 11/16	1 15/16	—	1/4	9/16	—	2	5 5/16	3 3/16	7 7/16
	2 1/2	2 1/4-12	1 7/8-12	3	3.124	1	2 1/16	2 3/8	—	1/4	1 1/16	—	2 1/4	5 9/16	3 7/16	7 11/16
11	3	2 3/4-12	2 1/4-12	3 1/2	3.749	1	2 5/8	2 7/8	5/8	—	—	1 5/8	—	5 1/16	3 5/16	7 3/16
	1	7/8-14	3/4-16	1 1/8	1.499	1/2	7/8	15/16	—	1/4	3/8	—	1 3/8	4 3/16	2 7/16	6 5/16
12	1 3/8	1 1/4-12	1-14	1 5/8	1.999	5/8	1 1/8	1 5/16	—	1/4	1/2	—	1 5/8	4 7/16	2 11/16	6 9/16
	1 3/4	1 1/2-12	1 1/4-12	2	2.374	3/4	1 1/2	1 11/16	—	1/4	9/16	—	1 7/8	4 11/16	2 15/16	6 1/2
13	1 3/8	1 1/4-12	1-14	1 5/8	1.999	5/8	1 1/8	1 5/16	—	1/4	1/2	—	1 5/8	4 7/16	2 11/16	6 9/16
	2 1/2	2 1/4-12	1 7/8-12	3	3.124	1	2 1/16	2 3/8	—	1/4	1 1/16	—	2 1/4	5 9/16	3 7/16	7 11/16
14	3	2 3/4-12	2 1/4-12	3 1/2	3.749	1	2 5/8	2 7/8	1/2	—	—	1 1/2	—	5 9/16	3 7/16	7 11/16
	3 1/2	3 1/4-12	2 1/2-12	3 1/2	4.249	1	3	3 3/8	1/2	—	—	1 1/2	—	5 9/16	3 7/16	7 11/16
15	1 3/8	1 1/4-12	1-14	1 5/8	1.999	5/8	1 1/8	1 5/16	—	1/4	7/16	—	1 5/8	4 15/16	2 13/16	7 1/16

◆◆ Dimension XI to be specified by customer.

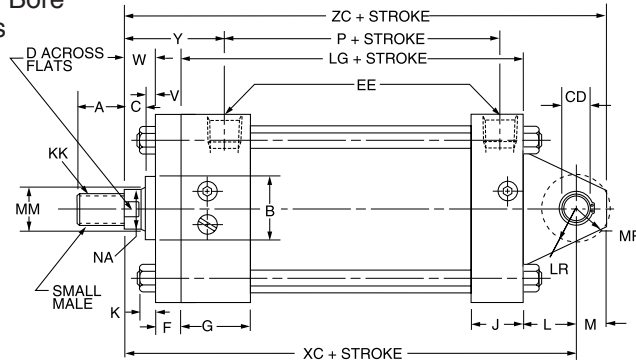
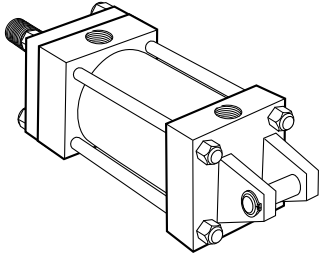
# Miller JV Series Medium-Duty Hydraulic Cylinders

Cap Fixed Clevis Mount  
1" to 6" Bore Sizes

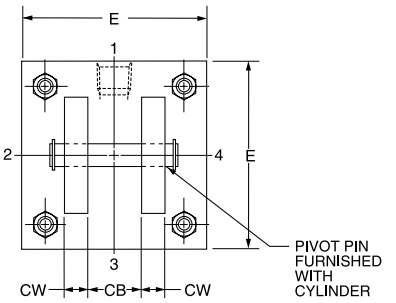
## Cap Fixed Clevis Mount

Model 84

1", 1 1/2", 2", 2 1/2", 5" and 6" Bore  
With Maximum Oversize Rods



## Retainer Held Bushing



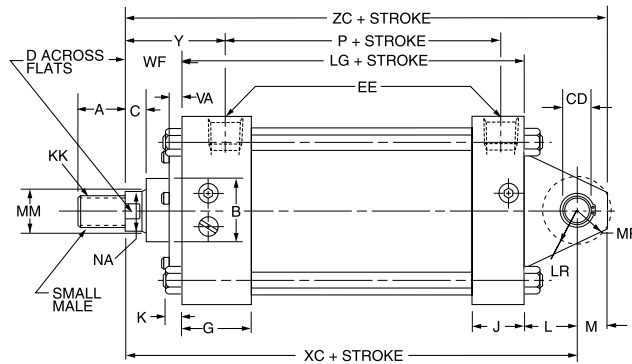
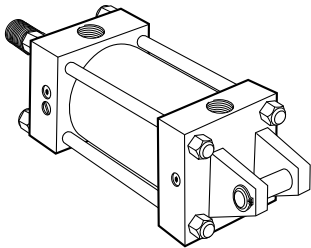
Note: Cap tie rod nuts not on 1 1/2", 2", 2 1/2" and 3 1/4" bores.

**Before determining dimensions:** See chart on page 3 for cylinder rod combinations that have removable bushings.

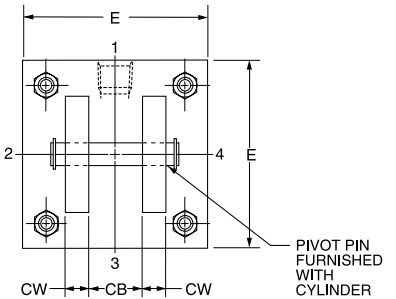
## Cap Fixed Clevis Mount

Model 84

1 1/2" - 6" Bore



## Bolted Bushing

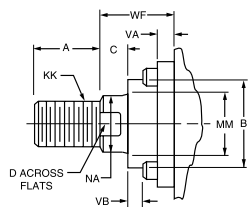


Note: Cap tie rod nuts not on 1 1/2", 2", 2 1/2" and 3 1/4" bores.

## Rod End Dimensions — see table 2

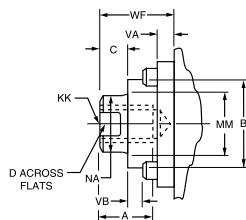
### Thread Style 2

Small Male



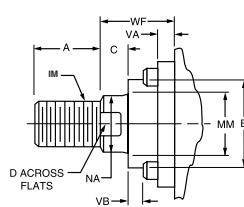
### Thread Style 4

Short Female



### Thread Style 5

Intermediate Male



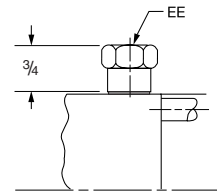
### "Special" Thread Style X

Special thread, extension, rod eye, blank, etc., are also available.

To order, specify "Style X" and give desired dimensions for KK, A, W or WF. If otherwise special, furnish dimensioned sketch.

### Straight Thread Port Adapters

Used on 1 1/2" bore size only.



A high strength rod end stud is supplied on thread style 2 through 2" diameter rods and on thread style 5 through 1 3/8" diameter rods. Larger sizes or special rod ends are cut threads. Style 2 rod ends are recommended where the workpiece is secured against the rod shoulder. When the workpiece is not shouldered, style 2

rod ends are recommended through 2" piston rod diameters and style 5 rod ends are recommended on larger diameters. Use style 4 for applications where female rod end threads are required. If rod end is not specified, style 2 will be supplied.

# Miller JV Series Medium-Duty Hydraulic Cylinders

Cap Fixed Clevis Mount  
1" to 6" Bore Sizes

**Table 1—Envelope and Mounting Dimensions**

Bore	CB	+.000 CD▲ -.002	CW	E	EE		F	G	J	K	L	LG	LR	M	MR	P
					NPTF <sup>Ⓞ</sup>	SAE*										
1‡	•	.441•	•	■	1/4	6#	3/8	1 1/2	1	3/16	1/2•	3 1/2•	1/2•	7/16•	1/2•	2 1/8
1 1/2	3/4	.501	1/2	2	3/8†	6#	3/8	1 1/2	1	1/4	3/4	3 5/8	3/4	1/2	5/8	2 1/4
2	3/4	.501	1/2	2 1/2	3/8†	6	3/8	1 1/2	1	5/16	3/4	3 5/8	3/4	1/2	5/8	2 1/4
2 1/2	3/4	.501	1/2	3	3/8†	6	3/8	1 1/2	1	5/16	3/4	3 3/4	3/4	1/2	5/8	2 3/8
3 1/4	1 1/4	.751	5/8	3 3/4	1/2	10	—	1 3/4	1 1/4	3/8	1 1/4	4 1/4	1	3/4	1 5/16	2 5/8
4	1 1/4	.751	5/8	4 1/2	1/2	10	—	1 3/4	1 1/4	3/8	1 1/4	4 1/4	1	3/4	1 5/16	2 5/8
5	1 1/4	.751	5/8	5 1/2	1/2	10	5/8	1 3/4	1 1/4	7/16	1 1/4	4 1/2	1	3/4	1 5/16	2 7/8
6	1 1/2	1.001	3/4	6 1/2	3/4	12	3/4	2	1 1/2	7/16	1 1/2	5	1 1/4	1	1 3/16	3 1/8

Ⓞ NPTF ports will be furnished as standard unless SAE straight thread ports are specified.

\* SAE straight thread ports are indicated by port number.

■ 1" bore head is 1 3/4" x 1 1/2".

† On 1 1/2", 2" and 2 1/2" bore sizes the head end (only) pipe thread is not full depth on cylinders with maximum oversize rods. Minimum of 3 full threads available.

▲ Dimension CD is pin diameter except in 1" bore.

# Straight thread ports. On 1 1/2" bore size an adapter fitting is required on cap end and on head end with maximum oversize rod. (See "Straight Thread Port Adapter" drawing.) Adapters are furnished as standard.

• In 1" bore size only, a single fixed eye mounting 7/16" thick is used. Dimension CD (.441") is hole diameter — pin not supplied.

‡ Cushion adjusting needle valve for 1" bore projects beyond sides of head and cap.

**Table 2—Rod End Dimensions and Envelope Dimensions Affected by Rod Size**

Bore	Rod Dia. MM	Thread		Rod End Dimensions and Envelope Dimensions Affected by Rod Size												
		Style 5 IM	Style 2 & 4 KK	A	+.000 B -.002	C	D	NA	V	VA	VB	W	WF	XC	Y	ZC
1	1/2	7/16-20	5/16-24	5/8	.999	3/8	3/8	7/16	1/4	—	—	5/8	—	5	1 15/16	5 7/16
	5/8	1/2-20	7/16-20	3/4	1.124	3/8	1/2	9/16	1/4	—	—	5/8	—	5	1 15/16	5 7/16
1 1/2	5/8	1/2-20	7/16-20	3/4	1.124	3/8	1/2	9/16	—	1/4	3/16	—	1	5 3/8	1 15/16	5 7/8
	1	7/8-14	3/4-16	1 1/8	1.499	1/2	7/8	1 5/16	1/2	—	—	1	—	5 3/4	2 5/16	6 1/4
2	5/8	1/2-20	7/16-20	3/4	1.124	3/8	1/2	9/16	—	1/4	3/16	—	1	5 3/8	1 15/16	5 7/8
	1 3/8	1 1/4-12	1-14	1 5/8	1.999	5/8	1 1/8	1 5/16	5/8	—	—	1 1/4	—	6	2 9/16	6 1/2
2 1/2	1	7/8-14	3/4-16	1 1/8	1.499	1/2	7/8	1 5/16	—	1/4	3/8	—	1 3/8	5 3/4	2 5/16	6 1/4
	1 3/4	1 1/2-12	1 1/4-12	2	2.374	3/4	1 1/2	1 11/16	3/4	—	—	1 1/2	—	6 3/8	2 13/16	6 7/8
	1 3/8	1 1/4-12	1-14	1 5/8	1.999	5/8	1 1/8	1 5/16	5/8	—	—	1 1/4	—	6 1/8	2 9/16	6 5/8
	5/8	1/2-20	7/16-20	3/4	1.124	3/8	1/2	9/16	—	1/4	3/16	—	1	5 1/2	1 15/16	6
3 1/4	1	7/8-14	3/4-16	1 1/8	1.499	1/2	7/8	1 5/16	—	1/4	3/8	—	1 3/8	6 7/8	2 7/16	7 5/8
	2	1 3/4-12	1 1/2-12	2 1/4	2.624	7/8	1 11/16	1 5/16	—	1/4	9/16	—	2	7 1/2	3 1/16	8 1/4
	1 3/8	1 1/4-12	1-14	1 5/8	1.999	5/8	1 1/8	1 5/16	—	1/4	1/2	—	1 5/8	7 1/8	2 11/16	7 7/8
4	1 3/4	1 1/2-12	1 1/4-12	2	2.374	3/4	1 1/2	1 11/16	—	1/4	9/16	—	1 7/8	7 3/8	2 15/16	8 1/8
	1 3/8	1 1/4-12	1-14	1 5/8	1.999	5/8	1 1/8	1 5/16	—	1/4	1/2	—	1 5/8	7 1/8	2 11/16	7 7/8
	2 1/2	2 1/4-12	1 7/8-12	3	3.124	1	2 1/16	2 3/8	—	1/4	1 1/16	—	2 1/4	7 3/4	3 5/16	8 1/2
	1 3/4	1 1/2-12	1 1/4-12	2	2.374	3/4	1 1/2	1 11/16	—	1/4	9/16	—	1 7/8	7 3/8	2 15/16	8 1/8
5	2	1 3/4-12	1 1/2-12	2 1/4	2.624	7/8	1 11/16	1 5/16	—	1/4	9/16	—	2	7 1/2	3 1/16	8 1/4
	1	7/8-14	3/4-16	1 1/8	1.499	1/2	7/8	1 5/16	—	1/4	3/8	—	1 3/8	6 7/8	2 7/16	7 5/8
	1 3/8	1 1/4-12	1-14	1 5/8	1.999	5/8	1 1/8	1 5/16	—	1/4	1/2	—	1 5/8	7 3/8	2 11/16	8 1/8
	1 3/4	1 1/2-12	1 1/4-12	2	2.374	3/4	1 1/2	1 11/16	—	1/4	9/16	—	1 7/8	8 3/8	3 1/16	9 3/8
	4	3 3/4-12	3-12	4	4.749	1	3 3/8	3 7/8	1/2	—	—	1 1/2	—	8 3/4	3 7/16	9 3/4
	2	1 3/4-12	1 1/2-12	2 1/4	2.624	7/8	1 11/16	1 5/16	—	1/4	9/16	—	2	8 1/2	3 3/16	9 1/2
6	2 1/2	2 1/4-12	1 7/8-12	3	3.124	1	2 1/16	2 3/8	—	1/4	1 1/16	—	2 1/4	8 3/4	3 7/16	9 3/4
	3	2 3/4-12	2 1/4-12	3 1/2	3.749	1	2 5/8	2 7/8	5/8	—	—	1 5/8	—	8	3 5/16	8 3/4
	1	7/8-14	3/4-16	1 1/8	1.499	1/2	7/8	1 5/16	—	1/4	3/8	—	1 3/8	7 1/8	2 7/16	7 7/8
	1 3/8	1 1/4-12	1-14	1 5/8	1.999	5/8	1 1/8	1 5/16	—	1/4	1/2	—	1 5/8	7 3/8	2 11/16	8 1/8
	1 3/4	1 1/2-12	1 1/4-12	2	2.374	3/4	1 1/2	1 11/16	—	1/4	9/16	—	1 7/8	8 3/8	3 1/16	9 3/8

# Miller JV Series Medium-Duty Hydraulic Cylinders

---

Notes

## NOTES

# Miller JV Series Medium-Duty Hydraulic Cylinders

---

Notes

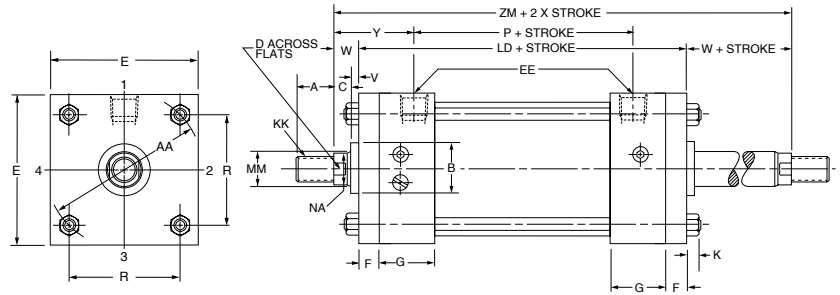
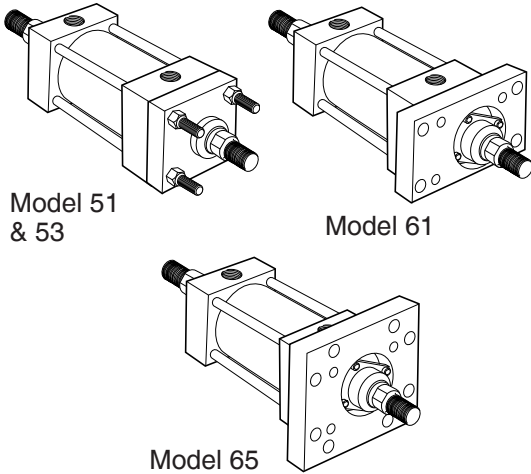
## NOTES

# Miller JV Series Medium-Duty Hydraulic Cylinders

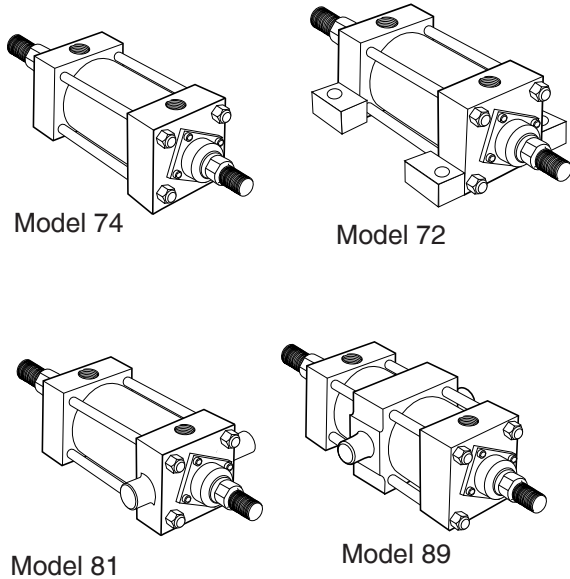
Double Rod End Cylinders  
1" to 6" Bore Sizes

## Double Rod End Cylinders

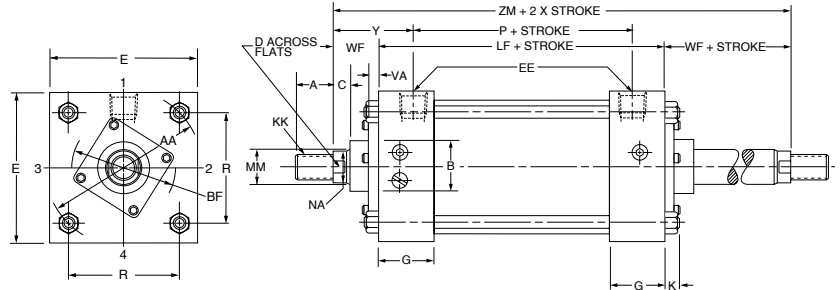
## Retainer Held Bushing



**Note:** The basic double rod cylinder dimensions are shown on this and facing page. For specific mounting dimensions, refer to pages for single rod cylinder. Exception: Model 72 "SS".

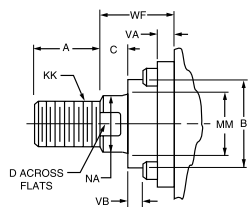


## Bolted Bushing

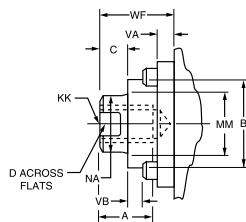


## Rod End Dimensions — see table 2

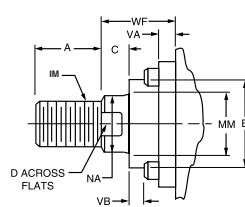
### Thread Style 2 Small Male



### Thread Style 4 Short Female



### Thread Style 5 Intermediate Male



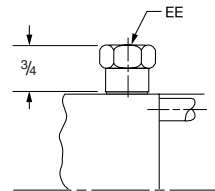
### "Special" Thread Style X

Special thread, extension, rod eye, blank, etc., are also available.

To order, specify "Style X" and give desired dimensions for KK, A, W or WF. If otherwise special, furnish dimensioned sketch.

### Straight Thread Port Adapters

Used on 1 1/2" bore size only.



A high strength rod end stud is supplied on thread style 2 through 2" diameter rods and on thread style 5 through 1 3/8" diameter rods. Larger sizes or special rod ends are cut threads. Style 2 rod ends are recommended where the workpiece is secured against the rod shoulder. When the workpiece is not shouldered, style 2

rod ends are recommended through 2" piston rod diameters and style 5 rod ends are recommended on larger diameters. Use style 4 for applications where female rod end threads are required. If rod end is not specified, style 2 will be supplied.

# Miller JV Series Medium-Duty Hydraulic Cylinders

Double Rod End Cylinders  
1" to 6" Bore Sizes

Bore	E	EE		F	G	K	LD	LF	P	SA	SS
		NPTF <sup>o</sup>	SAE*								
1‡	■	1/4†	6#	3/8	1 1/2	3/16	4 3/4	—	2 1/8	6 3/8	3 3/8
1 1/2	2	3/8†	6#	3/8	1 1/2	1/4	4 7/8	4 1/8	2 1/4	6 1/2	3 3/8
2	2 1/2	3/8†	6	3/8	1 1/2	5/16	4 7/8	4 1/8	2 1/4	6 1/2	3 3/8
2 1/2	3	3/8†	6	3/8	1 1/2	5/16	5	4 1/4	2 3/8	6 5/8	3 1/2
3 1/4	3 3/4	1/2	10	5/8	1 3/4	3/8	6	4 3/4	2 5/8	7 7/8	3 3/4
4	4 1/2	1/2	10	5/8	1 3/4	3/8	6	4 3/4	2 5/8	7 7/8	3 3/4
5	5 1/2	1/2	10	5/8	1 3/4	7/16	6 1/4	5	2 7/8	8 3/8	3 5/8
6	6 1/2	3/4	12	3/4	2	7/16	7	5 1/2	3 1/8	9	4 1/8

o NPTF ports will be furnished as standard unless SAE straight thread ports are specified.

\* SAE straight thread ports are indicated by port number.

■ 1" bore head is 1 3/4" x 1 1/2".

† On 1 1/2", 2" and 2 1/2" bore sizes the head end (only) pipe thread is not full depth on cylinders with maximum oversize rods. Minimum of 3 full threads available.

# Straight thread ports. On 1 1/2" bore size an adapter fitting is required on cap end and on head end with maximum oversize rod. (See "Straight Thread Port Adapter" drawing.) Adapters are furnished as standard.

‡ Cushion adjusting needle valve for 1" bore projects beyond sides of head and cap.

## How to Use Double Rod Cylinder Dimension Drawings

To determine dimensions for a double rod cylinder, first refer to the desired single rod mounting style cylinder shown on preceding pages of this catalog. After selecting necessary dimensions from that drawing, return to this page and supplement the single rod dimensions with those shown below. Note that double rod cylinders have a head (Dim. G) at both ends and that dimension LD replaces LB. The double rod dimensions differ from, or are in addition to those for single rod cylinders shown on preceding pages and provide the information needed to completely dimension a double rod cylinder. On a double rod cylinder where the two ends are different, be sure to clearly state which rod end is to be assembled at which end.

Port position 1 is standard. If other than standard, specify position 2, 3 or 4 when viewed from one end only.

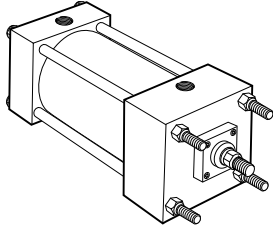
**Table 2—Rod End Dimensions and Envelope Dimensions Affected by Rod Size**

Bore	Rod Dia. MM	Thread		Rod End Dimensions and Envelope Dimensions Affected by Rod Size													
		Style 5 IM	Style 2 & 4 KK	A	+0.000 -0.002 B	BF	C	D	NA	V	VA	VB	W	WF	Y	ZM	
1	1/2	7/16-20	5/16-24	5/8	.999	—	3/8	3/8	7/16	1/4	—	—	5/8	—	1 5/16	5 3/8	
	5/8	1/2-20	7/16-20	3/4	1.124	—	3/8	1/2	9/16	1/4	—	—	5/8	—	1 5/16	6	
1 1/2	5/8	1/2-20	7/16-20	3/4	1.124	1.968	3/8	1/2	9/16	—	1/4	3/16	5/8	1	1 5/16	6 1/8	
	1	7/8-14	3/4-16	1 1/8	1.499	—	1/2	7/8	1 5/16	1/2	—	—	1	—	2 5/16	6 7/8	
2	5/8	1/2-20	7/16-20	3/4	1.124	1.968	3/8	1/2	9/16	—	1/4	3/16	5/8	1	1 5/16	6 1/8	
	1 3/8	1 1/4-12	1-14	1 5/8	1.999	—	5/8	1 1/8	1 5/16	5/8	—	—	1 1/4	—	2 9/16	7 3/8	
2 1/2	1	7/8-14	3/4-16	1 1/8	1.499	2.468	1/2	7/8	1 5/16	—	1/4	3/8	1	1 3/8	2 5/16	6 7/8	
	1 3/4	1 1/2-12	1 1/4-12	2	2.374	—	3/4	1 1/2	1 11/16	3/4	—	—	1 1/2	—	2 13/16	8	
	1 3/8	1 1/4-12	1-14	1 5/8	1.999	2.968	5/8	1 1/8	1 5/16	5/8	—	—	1 1/4	—	2 9/16	7 1/2	
3 1/4	5/8	1/2-20	7/16-20	3/4	1.124	1.968	3/8	1/2	9/16	—	1/4	3/16	5/8	1	1 5/16	6 1/4	
	1	7/8-14	3/4-16	1 1/8	1.499	2.468	1/2	7/8	1 5/16	—	1/4	3/8	3/4	1 3/8	2 7/16	7 1/2	
	2	1 3/4-12	1 1/2-12	2 1/4	2.624	3.735	7/8	1 11/16	1 5/16	—	1/4	9/16	1 3/8	2	3 1/16	8 3/4	
4	1 3/8	1 1/4-12	1-14	1 5/8	1.999	2.968	5/8	1 1/8	1 5/16	—	1/4	1/2	1	1 5/8	2 11/16	8	
	1 3/4	1 1/2-12	1 1/4-12	2	2.374	3.625	3/4	1 1/2	1 11/16	—	1/4	9/16	1 1/4	1 7/8	2 15/16	8 1/2	
	1 3/8	1 1/4-12	1-14	1 5/8	1.999	2.968	5/8	1 1/8	1 5/16	—	1/4	1/2	1	1 5/8	2 11/16	8	
5	1 3/8	1 1/4-12	1-14	1 5/8	1.999	2.968	5/8	1 1/8	1 5/16	—	1/4	1/2	1	1 5/8	2 11/16	8	
	2 1/2	2 1/4-12	1 7/8-12	3	3.124	4.312	1	2 1/16	2 3/8	—	1/4	1 1/16	1 5/8	2 1/4	3 5/16	9 1/4	
	1 3/4	1 1/2-12	1 1/4-12	2	2.374	3.625	3/4	1 1/2	1 11/16	—	1/4	9/16	1 1/4	1 7/8	2 15/16	8 1/2	
	2	1 3/4-12	1 1/2-12	2 1/4	2.624	3.735	7/8	1 11/16	1 5/16	—	1/4	9/16	1 3/8	2	3 1/16	8 3/4	
	1	7/8-14	3/4-16	1 1/8	1.499	2.468	1/2	7/8	1 5/16	—	1/4	3/8	3/4	1 3/8	2 7/16	7 1/2	
	1 3/4	1 1/2-12	1 1/4-12	2	2.374	3.625	3/4	1 1/2	1 11/16	—	1/4	9/16	1 1/4	1 7/8	2 15/16	8 3/4	
6	3 1/2	3 1/4-12	2 1/2-12	3 1/2	4.249	—	1	3	3 3/8	5/8	—	—	1 5/8	—	3 5/16	9 1/2	
	2	1 3/4-12	1 1/2-12	2 1/4	2.624	3.735	7/8	1 11/16	1 5/16	—	1/4	9/16	1 3/8	2	3 1/16	9	
	2 1/2	2 1/4-12	1 7/8-12	3	3.124	4.312	1	2 1/16	2 3/8	—	1/4	1 1/16	1 5/8	2 1/4	3 5/16	9 1/2	
	3	2 3/4-12	2 1/4-12	3 1/2	3.749	—	1	2 5/8	2 7/8	5/8	—	—	1 5/8	—	3 5/16	9 1/2	
	1	7/8-14	3/4-16	1 1/8	1.499	2.468	1/2	7/8	1 5/16	—	1/4	3/8	3/4	1 3/8	2 7/16	7 3/4	
	1 3/8	1 1/4-12	1-14	1 5/8	1.999	2.968	5/8	1 1/8	1 5/16	—	1/4	1/2	1	1 5/8	2 11/16	8 1/4	
6	1 3/4	1 1/2-12	1 1/4-12	2	2.374	3.625	3/4	1 1/2	1 11/16	—	1/4	9/16	1 1/8	1 7/8	3 1/16	9 1/4	
	4	3 3/4-12	3-12	4	4.749	—	1	3 3/8	3 7/8	1/2	—	—	1 1/2	—	3 7/16	10	
	2	1 3/4-12	1 1/2-12	2 1/4	2.624	3.735	7/8	1 11/16	1 5/16	—	1/4	9/16	1 1/4	2	3 3/16	9 1/2	
	2 1/2	2 1/4-12	1 7/8-12	3	3.124	4.312	1	2 1/16	2 3/8	—	1/4	1 1/16	1 1/2	2 1/4	3 7/16	10	
	3	2 3/4-12	2 1/4-12	3 1/2	3.749	—	1	2 5/8	2 7/8	1/2	—	—	1 1/2	—	3 7/16	10	
	3 1/2	3 1/4-12	2 1/2-12	3 1/2	4.249	—	1	3	3 3/8	1/2	—	—	1 1/2	—	3 7/16	10	
1 3/8	1 1/4-12	1-14	1 5/8	1.999	2.968	5/8	1 1/8	1 5/16	—	1/4	7/16	7/8	1 5/8	2 13/16	8 3/4		

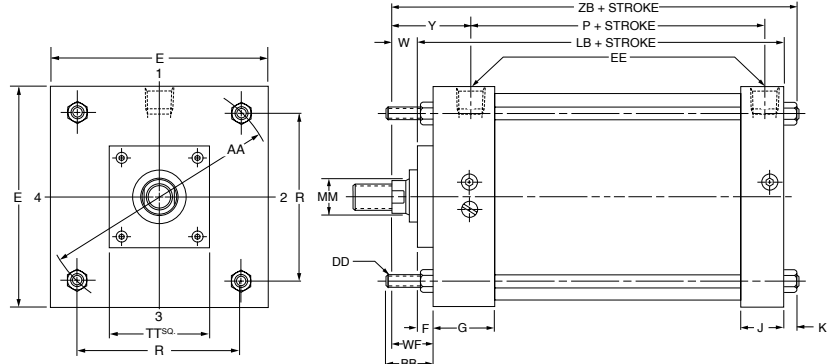
# Miller JV Series Medium-Duty Hydraulic Cylinders

Tie Rods Extended Mountings  
Head Square Mount  
Cap Square Mount  
8" Bore Size

## Tie Rods Extended Mount Model 53

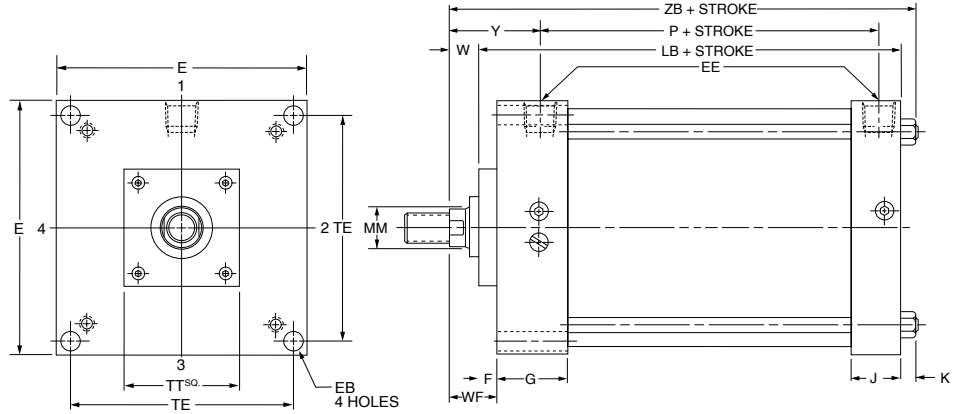
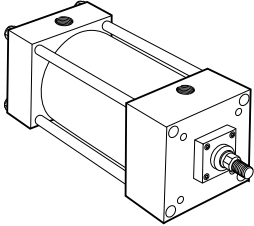


Model 53, Head Tie Rods Extended, illustrated: Model 52 Cap Tie Rods Extended; and Model 51. Both Ends Tie Rods Extended are also available. All Extended Tie Rods can be dimensioned from Model 53 drawing at right.

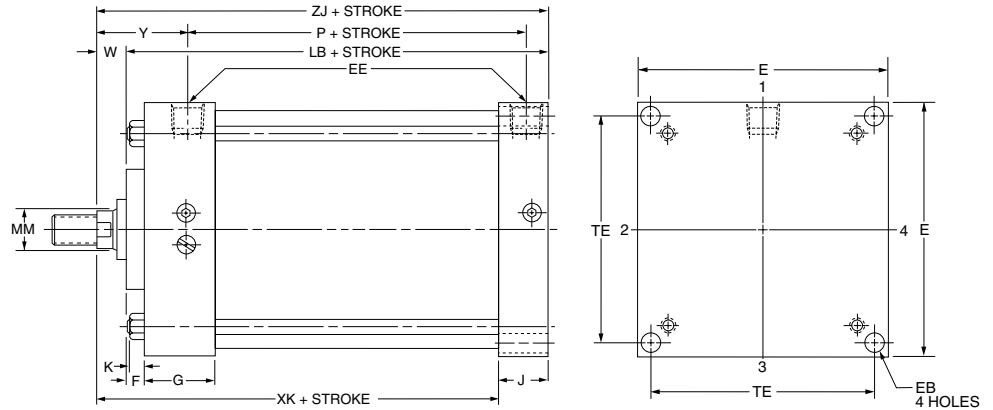
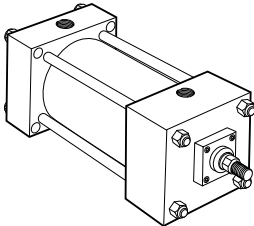


Model 53 and Model 51 not offered in 8" bore size, rod diameter 4 1/2", 5", and 5 1/2".

## Head Square Mount Model 63

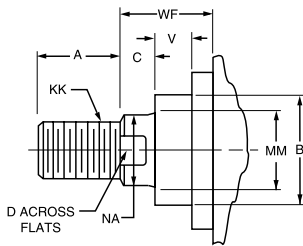


## Cap Square Mount Model 64



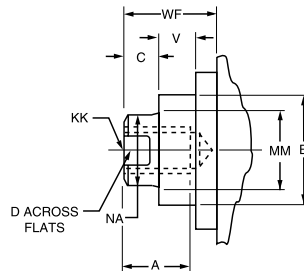
## Rod End Dimensions — see tables 2 & 5

### Thread Style 2 Small Male



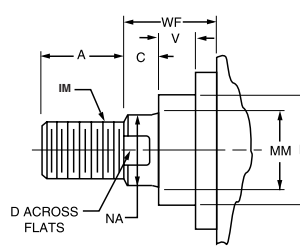
A high strength rod end stud is supplied on thread style 2 through 2" diameter rods and on thread style 5 through 1 7/8" diameter rods. Larger sizes or special rod ends are cut threads. Style 2 rod ends are recommended where the workpiece is secured against the rod shoulder. When the workpiece is not shouldered, style 2 rod ends are

### Thread Style 4 Short Female



recommended through 2" piston rod diameters and style 5 rod ends are recommended on larger diameters. Use style 4 for applications where female rod end threads are required. If rod end is not specified, style 2 will be supplied.

### Thread Style 5 Intermediate Male



### "Special" Thread Style X

Special thread, extension, rod eye, blank, etc., are also available.

To order, specify "Style X" and give desired dimensions for KK, A, W or WF. If otherwise special, furnish dimensioned sketch.



# Miller JV Series Medium-Duty Hydraulic Cylinders

Tie Rods Extended Mountings  
Head Square Mount  
Cap Square Mount  
8" Bore Size

**Table 1—Envelope and Mounting Dimensions—Model 53**

Bore	AA	BB	DD	E	EE		F	G	J	K	R	Add Stroke	
					NPTF <sup>o</sup>	SAE*						LB	P
8	9.1	2 <sup>5</sup> / <sub>16</sub>	<sup>5</sup> / <sub>8</sub> -18	8 <sup>1</sup> / <sub>2</sub>	<sup>3</sup> / <sub>4</sub>	12	<sup>3</sup> / <sub>4</sub>	2	1 <sup>1</sup> / <sub>2</sub>	<sup>9</sup> / <sub>16</sub>	6.44	5 <sup>7</sup> / <sub>8</sub>	3 <sup>1</sup> / <sub>4</sub>

<sup>o</sup> NPTF ports will be furnished as standard unless SAE straight thread ports are specified.  
\* SAE straight thread ports are indicated by port number.

**Table 2—Rod End Dimensions—Model 53**

Bore	Rod Dia. MM	Thread		Rod Extensions and Pilot Dimensions								TT	WF	Y	Add Stroke ZB
		Style 5 IM	Style 2 & 4 KK	A	+ .000 - .002 B	C	D	LA	NA	V	W				
8	2	1 <sup>3</sup> / <sub>4</sub> -12	1 <sup>1</sup> / <sub>2</sub> -12	2 <sup>1</sup> / <sub>4</sub>	2.624	<sup>7</sup> / <sub>8</sub>	1 <sup>11</sup> / <sub>16</sub>	3 <sup>1</sup> / <sub>2</sub>	1 <sup>15</sup> / <sub>16</sub>	<sup>3</sup> / <sub>8</sub>	1 <sup>1</sup> / <sub>4</sub>	4	2	3 <sup>3</sup> / <sub>16</sub>	7 <sup>11</sup> / <sub>16</sub>
	5 <sup>1</sup> / <sub>2</sub>	5 <sup>1</sup> / <sub>4</sub> -12	4-12	5 <sup>1</sup> / <sub>2</sub>	6.249	1	4 <sup>5</sup> / <sub>8</sub>	7	5 <sup>3</sup> / <sub>8</sub>	1 <sup>1</sup> / <sub>2</sub>	1 <sup>1</sup> / <sub>2</sub>	7	2 <sup>1</sup> / <sub>4</sub>	3 <sup>7</sup> / <sub>16</sub>	7 <sup>15</sup> / <sub>16</sub>
	2 <sup>1</sup> / <sub>2</sub>	2 <sup>1</sup> / <sub>4</sub> -12	1 <sup>7</sup> / <sub>8</sub> -12	3	3.124	1	2 <sup>1</sup> / <sub>16</sub>	4 <sup>1</sup> / <sub>2</sub>	2 <sup>3</sup> / <sub>8</sub>	1 <sup>1</sup> / <sub>2</sub>	1 <sup>1</sup> / <sub>2</sub>	4	2 <sup>1</sup> / <sub>4</sub>	3 <sup>7</sup> / <sub>16</sub>	7 <sup>15</sup> / <sub>16</sub>
	3	2 <sup>3</sup> / <sub>4</sub> -12	2 <sup>1</sup> / <sub>4</sub> -12	3 <sup>1</sup> / <sub>2</sub>	3.749	1	2 <sup>5</sup> / <sub>8</sub>	5	2 <sup>7</sup> / <sub>8</sub>	1 <sup>1</sup> / <sub>2</sub>	1 <sup>1</sup> / <sub>2</sub>	5 <sup>1</sup> / <sub>2</sub>	2 <sup>1</sup> / <sub>4</sub>	3 <sup>7</sup> / <sub>16</sub>	7 <sup>15</sup> / <sub>16</sub>
	3 <sup>1</sup> / <sub>2</sub>	3 <sup>1</sup> / <sub>4</sub> -12	2 <sup>1</sup> / <sub>2</sub> -12	3 <sup>1</sup> / <sub>2</sub>	4.249	1	3	5	3 <sup>3</sup> / <sub>8</sub>	1 <sup>1</sup> / <sub>2</sub>	1 <sup>1</sup> / <sub>2</sub>	5 <sup>1</sup> / <sub>2</sub>	2 <sup>1</sup> / <sub>4</sub>	3 <sup>7</sup> / <sub>16</sub>	7 <sup>15</sup> / <sub>16</sub>
	4	3 <sup>3</sup> / <sub>4</sub> -12	3-12	4	4.749	1	3 <sup>3</sup> / <sub>8</sub>	5 <sup>1</sup> / <sub>2</sub>	3 <sup>7</sup> / <sub>8</sub>	1 <sup>1</sup> / <sub>2</sub>	1 <sup>1</sup> / <sub>2</sub>	5 <sup>1</sup> / <sub>2</sub>	2 <sup>1</sup> / <sub>4</sub>	3 <sup>7</sup> / <sub>16</sub>	7 <sup>15</sup> / <sub>16</sub>
	1 <sup>3</sup> / <sub>8</sub>	1 <sup>1</sup> / <sub>4</sub> -12	1-14	1 <sup>5</sup> / <sub>8</sub>	1.999	<sup>5</sup> / <sub>8</sub>	1 <sup>1</sup> / <sub>8</sub>	2 <sup>1</sup> / <sub>2</sub>	1 <sup>5</sup> / <sub>16</sub>	1 <sup>1</sup> / <sub>4</sub>	<sup>7</sup> / <sub>8</sub>	4	1 <sup>5</sup> / <sub>8</sub>	2 <sup>13</sup> / <sub>16</sub>	7 <sup>5</sup> / <sub>16</sub>
	1 <sup>3</sup> / <sub>4</sub>	1 <sup>1</sup> / <sub>2</sub> -12	1 <sup>1</sup> / <sub>4</sub> -12	2	2.374	<sup>3</sup> / <sub>4</sub>	1 <sup>1</sup> / <sub>2</sub>	3 <sup>1</sup> / <sub>8</sub>	1 <sup>11</sup> / <sub>16</sub>	<sup>3</sup> / <sub>8</sub>	1 <sup>1</sup> / <sub>8</sub>	4	1 <sup>7</sup> / <sub>8</sub>	3 <sup>1</sup> / <sub>16</sub>	7 <sup>9</sup> / <sub>16</sub>
	4 <sup>1</sup> / <sub>2</sub>	4 <sup>1</sup> / <sub>4</sub> -12	3 <sup>1</sup> / <sub>4</sub> -12	4 <sup>1</sup> / <sub>2</sub>	5.249	1	3 <sup>7</sup> / <sub>8</sub>	6	4 <sup>3</sup> / <sub>8</sub>	1 <sup>1</sup> / <sub>2</sub>	1 <sup>1</sup> / <sub>2</sub>	7	2 <sup>1</sup> / <sub>4</sub>	3 <sup>7</sup> / <sub>16</sub>	7 <sup>15</sup> / <sub>16</sub>
5	4 <sup>3</sup> / <sub>4</sub> -12	3 <sup>1</sup> / <sub>2</sub> -12	5	5.749	1	4 <sup>1</sup> / <sub>4</sub>	6 <sup>1</sup> / <sub>2</sub>	4 <sup>7</sup> / <sub>8</sub>	1 <sup>1</sup> / <sub>2</sub>	1 <sup>1</sup> / <sub>2</sub>	7	2 <sup>1</sup> / <sub>4</sub>	3 <sup>7</sup> / <sub>16</sub>	7 <sup>15</sup> / <sub>16</sub>	

**Table 3 — Envelope and Mounting Dimensions**

**Table 4—Envelope and Mounting Dimensions—Model 63 and Model 64**

Bore	E	EB** (BOLT)	EE		F	G	J	K	TE	Add Stroke	
			NPTF <sup>o</sup>	SAE*						LB	P
8	8 <sup>1</sup> / <sub>2</sub>	<sup>5</sup> / <sub>8</sub>	<sup>3</sup> / <sub>4</sub>	12	<sup>3</sup> / <sub>4</sub>	2	1 <sup>1</sup> / <sub>2</sub>	<sup>9</sup> / <sub>16</sub>	7.57	5 <sup>7</sup> / <sub>8</sub>	3 <sup>1</sup> / <sub>4</sub>

<sup>o</sup> NPTF ports will be furnished as standard unless SAE straight thread ports are specified.  
\* SAE straight thread ports are indicated by port number.  
\*\*Mounting hole is 1/16" larger than bolt size listed.

**Table 5—Rod End Dimensions—Model 63 and Model 64**

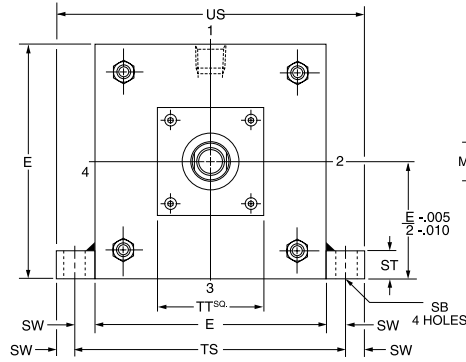
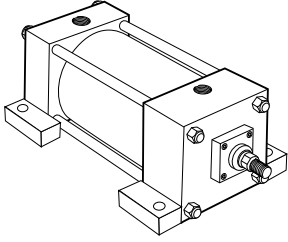
Bore	Rod Dia. MM	Thread		Rod Extensions and Pilot Dimensions								TT	WF	Y	Add Stroke		
		Style 5 IM	Style 2 & 4 KK	A	+ .000 - .002 B	C	D	LA	NA	V	W				XK	ZB	ZJ
8	2	1 <sup>3</sup> / <sub>4</sub> -12	1 <sup>1</sup> / <sub>2</sub> -12	2 <sup>1</sup> / <sub>4</sub>	2.624	<sup>7</sup> / <sub>8</sub>	1 <sup>11</sup> / <sub>16</sub>	3 <sup>1</sup> / <sub>2</sub>	1 <sup>15</sup> / <sub>16</sub>	<sup>3</sup> / <sub>8</sub>	1 <sup>1</sup> / <sub>4</sub>	4	2	3 <sup>3</sup> / <sub>16</sub>	5 <sup>5</sup> / <sub>8</sub>	7 <sup>11</sup> / <sub>16</sub>	7 <sup>1</sup> / <sub>8</sub>
	5 <sup>1</sup> / <sub>2</sub>	5 <sup>1</sup> / <sub>4</sub> -12	4-12	5 <sup>1</sup> / <sub>2</sub>	6.249	1	4 <sup>5</sup> / <sub>8</sub>	7	5 <sup>3</sup> / <sub>8</sub>	1 <sup>1</sup> / <sub>2</sub>	1 <sup>1</sup> / <sub>2</sub>	7	2 <sup>1</sup> / <sub>4</sub>	3 <sup>7</sup> / <sub>16</sub>	5 <sup>7</sup> / <sub>8</sub>	7 <sup>15</sup> / <sub>16</sub>	7 <sup>3</sup> / <sub>8</sub>
	2 <sup>1</sup> / <sub>2</sub>	2 <sup>1</sup> / <sub>4</sub> -12	1 <sup>7</sup> / <sub>8</sub> -12	3	3.124	1	2 <sup>1</sup> / <sub>16</sub>	4 <sup>1</sup> / <sub>2</sub>	2 <sup>3</sup> / <sub>8</sub>	1 <sup>1</sup> / <sub>2</sub>	1 <sup>1</sup> / <sub>2</sub>	4	2 <sup>1</sup> / <sub>4</sub>	3 <sup>7</sup> / <sub>16</sub>	5 <sup>7</sup> / <sub>8</sub>	7 <sup>15</sup> / <sub>16</sub>	7 <sup>3</sup> / <sub>8</sub>
	3	2 <sup>3</sup> / <sub>4</sub> -12	2 <sup>1</sup> / <sub>4</sub> -12	3 <sup>1</sup> / <sub>2</sub>	3.749	1	2 <sup>5</sup> / <sub>8</sub>	5	2 <sup>7</sup> / <sub>8</sub>	1 <sup>1</sup> / <sub>2</sub>	1 <sup>1</sup> / <sub>2</sub>	5 <sup>1</sup> / <sub>2</sub>	2 <sup>1</sup> / <sub>4</sub>	3 <sup>7</sup> / <sub>16</sub>	5 <sup>7</sup> / <sub>8</sub>	7 <sup>15</sup> / <sub>16</sub>	7 <sup>3</sup> / <sub>8</sub>
	3 <sup>1</sup> / <sub>2</sub>	3 <sup>1</sup> / <sub>4</sub> -12	2 <sup>1</sup> / <sub>2</sub> -12	3 <sup>1</sup> / <sub>2</sub>	4.249	1	3	5	3 <sup>3</sup> / <sub>8</sub>	1 <sup>1</sup> / <sub>2</sub>	1 <sup>1</sup> / <sub>2</sub>	5 <sup>1</sup> / <sub>2</sub>	2 <sup>1</sup> / <sub>4</sub>	3 <sup>7</sup> / <sub>16</sub>	5 <sup>7</sup> / <sub>8</sub>	7 <sup>15</sup> / <sub>16</sub>	7 <sup>3</sup> / <sub>8</sub>
	4	3 <sup>3</sup> / <sub>4</sub> -12	3-12	4	4.749	1	3 <sup>3</sup> / <sub>8</sub>	5 <sup>1</sup> / <sub>2</sub>	3 <sup>7</sup> / <sub>8</sub>	1 <sup>1</sup> / <sub>2</sub>	1 <sup>1</sup> / <sub>2</sub>	5 <sup>1</sup> / <sub>2</sub>	2 <sup>1</sup> / <sub>4</sub>	3 <sup>7</sup> / <sub>16</sub>	5 <sup>7</sup> / <sub>8</sub>	7 <sup>15</sup> / <sub>16</sub>	7 <sup>3</sup> / <sub>8</sub>
	1 <sup>3</sup> / <sub>8</sub>	1 <sup>1</sup> / <sub>4</sub> -12	1-14	1 <sup>5</sup> / <sub>8</sub>	1.999	<sup>5</sup> / <sub>8</sub>	1 <sup>1</sup> / <sub>8</sub>	2 <sup>1</sup> / <sub>2</sub>	1 <sup>5</sup> / <sub>16</sub>	1 <sup>1</sup> / <sub>4</sub>	<sup>7</sup> / <sub>8</sub>	4	1 <sup>5</sup> / <sub>8</sub>	2 <sup>13</sup> / <sub>16</sub>	5 <sup>1</sup> / <sub>4</sub>	7 <sup>5</sup> / <sub>16</sub>	6 <sup>3</sup> / <sub>4</sub>
	1 <sup>3</sup> / <sub>4</sub>	1 <sup>1</sup> / <sub>2</sub> -12	1 <sup>1</sup> / <sub>4</sub> -12	2	2.374	<sup>3</sup> / <sub>4</sub>	1 <sup>1</sup> / <sub>2</sub>	3 <sup>1</sup> / <sub>8</sub>	1 <sup>11</sup> / <sub>16</sub>	<sup>3</sup> / <sub>8</sub>	1 <sup>1</sup> / <sub>8</sub>	4	1 <sup>7</sup> / <sub>8</sub>	3 <sup>1</sup> / <sub>16</sub>	5 <sup>1</sup> / <sub>2</sub>	7 <sup>9</sup> / <sub>16</sub>	7
	4 <sup>1</sup> / <sub>2</sub>	4 <sup>1</sup> / <sub>4</sub> -12	3 <sup>1</sup> / <sub>4</sub> -12	4 <sup>1</sup> / <sub>2</sub>	5.249	1	3 <sup>7</sup> / <sub>8</sub>	6	4 <sup>3</sup> / <sub>8</sub>	1 <sup>1</sup> / <sub>2</sub>	1 <sup>1</sup> / <sub>2</sub>	7	2 <sup>1</sup> / <sub>4</sub>	3 <sup>7</sup> / <sub>16</sub>	5 <sup>7</sup> / <sub>8</sub>	7 <sup>15</sup> / <sub>16</sub>	7 <sup>3</sup> / <sub>8</sub>
5	4 <sup>3</sup> / <sub>4</sub> -12	3 <sup>1</sup> / <sub>2</sub> -12	5	5.749	1	4 <sup>1</sup> / <sub>4</sub>	6 <sup>1</sup> / <sub>2</sub>	4 <sup>7</sup> / <sub>8</sub>	1 <sup>1</sup> / <sub>2</sub>	1 <sup>1</sup> / <sub>2</sub>	7	2 <sup>1</sup> / <sub>4</sub>	3 <sup>7</sup> / <sub>16</sub>	5 <sup>7</sup> / <sub>8</sub>	7 <sup>15</sup> / <sub>16</sub>	7 <sup>3</sup> / <sub>8</sub>	

**Table 6 — Envelope and Mounting Dimensions**

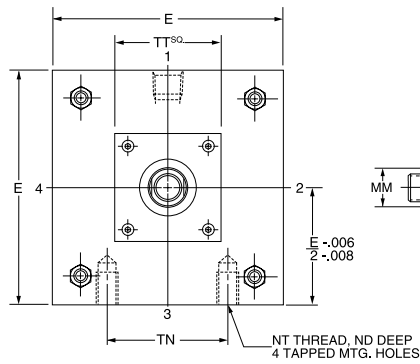
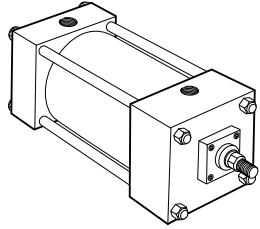
# Miller JV Series Medium-Duty Hydraulic Cylinders

Side Lug Mount  
Side Tap Mount  
8" Bore Size

## Side Lug Mount Model 72

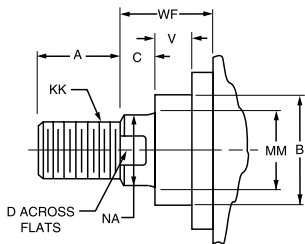


## Side Tap Mount Model 74

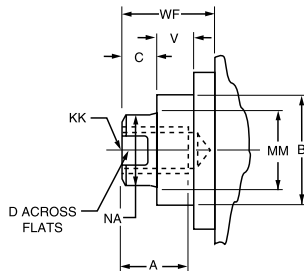


## Rod End Dimensions — see tables 2 & 5

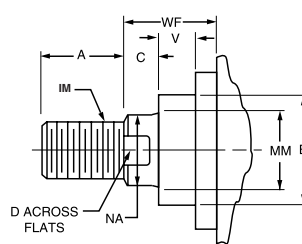
### Thread Style 2 Small Male



### Thread Style 4 Short Female



### Thread Style 5 Intermediate Male



### “Special” Thread Style X

Special thread, extension, rod eye, blank, etc., are also available.

To order, specify “Style X” and give desired dimensions for KK, A, W. If otherwise special, furnish dimensioned sketch.

A high strength rod end stud is supplied on thread style 2 through 2" diameter rods and on thread style 5 through 1 1/8" diameter rods. Larger sizes or special rod ends are cut threads. Style 2 rod ends are recommended where the workpiece is secured against the rod shoulder. When the workpiece is not shouldered, style 2 rod ends are

recommended through 2" piston rod diameters and style 5 rod ends are recommended on larger diameters. Use style 4 for applications where female rod end threads are required. If rod end is not specified, style 2 will be supplied.

# Miller JV Series Medium-Duty Hydraulic Cylinders

Side Lug Mount  
Side Tap Mount  
8" Bore Size

**Table 1—Envelope and Mounting Dimensions—Model 72**

Bore	E	EE		F	G	J	K	SB• (BOLT)	ST	SU	SW	TS	US	Add Stroke		
		NPTF <sup>o</sup>	SAE*											LB	P	SS
8	8 <sup>1</sup> / <sub>2</sub>	<sup>3</sup> / <sub>4</sub>	12	<sup>3</sup> / <sub>4</sub>	2	1 <sup>1</sup> / <sub>2</sub>	<sup>9</sup> / <sub>16</sub>	<sup>3</sup> / <sub>4</sub>	1	1 <sup>9</sup> / <sub>16</sub>	1 <sup>1</sup> / <sub>16</sub>	9 <sup>7</sup> / <sub>8</sub>	11 <sup>1</sup> / <sub>4</sub>	5 <sup>7</sup> / <sub>8</sub>	3 <sup>1</sup> / <sub>4</sub>	3 <sup>3</sup> / <sub>4</sub>

<sup>o</sup> NPTF ports will be furnished as standard unless SAE straight thread ports are specified.

\* SAE straight thread ports are indicated by port number.

• Mounting hole is 1/16" larger than bolt size listed.

**Table 2—Rod End Dimensions—Model 72**

Bore	Rod Dia. MM	Thread		Rod Extensions and Pilot Dimensions								TT	XS	Y	Add Stroke ZB
		Style 5 IM	Style 2 & 4 KK	A	+0.000 -0.002 B	C	D	LA	NA	V	W				
8	2	1 <sup>3</sup> / <sub>4</sub> -12	1 <sup>1</sup> / <sub>2</sub> -12	2 <sup>1</sup> / <sub>4</sub>	2.624	<sup>7</sup> / <sub>8</sub>	1 <sup>11</sup> / <sub>16</sub>	3 <sup>1</sup> / <sub>2</sub>	1 <sup>15</sup> / <sub>16</sub>	<sup>3</sup> / <sub>8</sub>	1 <sup>1</sup> / <sub>4</sub>	4	2 <sup>11</sup> / <sub>16</sub>	3 <sup>3</sup> / <sub>16</sub>	7 <sup>11</sup> / <sub>16</sub>
	5 <sup>1</sup> / <sub>2</sub>	5 <sup>1</sup> / <sub>4</sub> -12	4-12	5 <sup>1</sup> / <sub>2</sub>	6.249	1	4 <sup>5</sup> / <sub>8</sub>	7	5 <sup>3</sup> / <sub>8</sub>	<sup>1</sup> / <sub>2</sub>	1 <sup>1</sup> / <sub>2</sub>	7	2 <sup>15</sup> / <sub>16</sub>	3 <sup>7</sup> / <sub>16</sub>	7 <sup>15</sup> / <sub>16</sub>
	2 <sup>1</sup> / <sub>2</sub>	2 <sup>1</sup> / <sub>4</sub> -12	1 <sup>7</sup> / <sub>8</sub> -12	3	3.124	1	2 <sup>1</sup> / <sub>16</sub>	4 <sup>1</sup> / <sub>2</sub>	2 <sup>3</sup> / <sub>8</sub>	<sup>1</sup> / <sub>2</sub>	1 <sup>1</sup> / <sub>2</sub>	4	2 <sup>15</sup> / <sub>16</sub>	3 <sup>7</sup> / <sub>16</sub>	7 <sup>15</sup> / <sub>16</sub>
	3	2 <sup>3</sup> / <sub>4</sub> -12	2 <sup>1</sup> / <sub>4</sub> -12	3 <sup>1</sup> / <sub>2</sub>	3.749	1	2 <sup>5</sup> / <sub>8</sub>	5	2 <sup>7</sup> / <sub>8</sub>	<sup>1</sup> / <sub>2</sub>	1 <sup>1</sup> / <sub>2</sub>	5 <sup>1</sup> / <sub>2</sub>	2 <sup>15</sup> / <sub>16</sub>	3 <sup>7</sup> / <sub>16</sub>	7 <sup>15</sup> / <sub>16</sub>
	3 <sup>1</sup> / <sub>2</sub>	3 <sup>1</sup> / <sub>4</sub> -12	2 <sup>1</sup> / <sub>2</sub> -12	3 <sup>1</sup> / <sub>2</sub>	4.249	1	3	5	3 <sup>3</sup> / <sub>8</sub>	<sup>1</sup> / <sub>2</sub>	1 <sup>1</sup> / <sub>2</sub>	5 <sup>1</sup> / <sub>2</sub>	2 <sup>15</sup> / <sub>16</sub>	3 <sup>7</sup> / <sub>16</sub>	7 <sup>15</sup> / <sub>16</sub>
	4	3 <sup>3</sup> / <sub>4</sub> -12	3-12	4	4.749	1	3 <sup>3</sup> / <sub>8</sub>	5 <sup>1</sup> / <sub>2</sub>	3 <sup>7</sup> / <sub>8</sub>	<sup>1</sup> / <sub>2</sub>	1 <sup>1</sup> / <sub>2</sub>	5 <sup>1</sup> / <sub>2</sub>	2 <sup>15</sup> / <sub>16</sub>	3 <sup>7</sup> / <sub>16</sub>	7 <sup>15</sup> / <sub>16</sub>
	1 <sup>3</sup> / <sub>8</sub>	1 <sup>1</sup> / <sub>4</sub> -12	1-14	1 <sup>5</sup> / <sub>8</sub>	1.999	<sup>5</sup> / <sub>8</sub>	1 <sup>1</sup> / <sub>8</sub>	2 <sup>1</sup> / <sub>2</sub>	1 <sup>5</sup> / <sub>16</sub>	<sup>1</sup> / <sub>4</sub>	<sup>7</sup> / <sub>8</sub>	4	2 <sup>5</sup> / <sub>16</sub>	2 <sup>13</sup> / <sub>16</sub>	7 <sup>5</sup> / <sub>16</sub>
	1 <sup>3</sup> / <sub>4</sub>	1 <sup>1</sup> / <sub>2</sub> -12	1 <sup>1</sup> / <sub>4</sub> -12	2	2.374	<sup>3</sup> / <sub>4</sub>	1 <sup>1</sup> / <sub>2</sub>	3 <sup>1</sup> / <sub>8</sub>	1 <sup>11</sup> / <sub>16</sub>	<sup>3</sup> / <sub>8</sub>	1 <sup>1</sup> / <sub>8</sub>	4	2 <sup>9</sup> / <sub>16</sub>	3 <sup>1</sup> / <sub>16</sub>	7 <sup>9</sup> / <sub>16</sub>
	4 <sup>1</sup> / <sub>2</sub>	4 <sup>1</sup> / <sub>4</sub> -12	3 <sup>1</sup> / <sub>4</sub> -12	4 <sup>1</sup> / <sub>2</sub>	5.249	1	3 <sup>7</sup> / <sub>8</sub>	6	4 <sup>3</sup> / <sub>8</sub>	<sup>1</sup> / <sub>2</sub>	1 <sup>1</sup> / <sub>2</sub>	7	2 <sup>15</sup> / <sub>16</sub>	3 <sup>7</sup> / <sub>16</sub>	7 <sup>15</sup> / <sub>16</sub>
5	4 <sup>3</sup> / <sub>4</sub> -12	3 <sup>1</sup> / <sub>2</sub> -12	5	5.749	1	4 <sup>1</sup> / <sub>4</sub>	6 <sup>1</sup> / <sub>2</sub>	4 <sup>7</sup> / <sub>8</sub>	<sup>1</sup> / <sub>2</sub>	1 <sup>1</sup> / <sub>2</sub>	7	2 <sup>15</sup> / <sub>16</sub>	3 <sup>7</sup> / <sub>16</sub>	7 <sup>15</sup> / <sub>16</sub>	

**Table 3 — Envelope and Mounting Dimensions**

**Table 4—Envelope and Mounting Dimensions—Model 74**

Bore	E	EE		F	G	J	K	ND	NT	TN	Add Stroke		
		NPTF <sup>o</sup>	SAE*								LB	P	SN
8	8 <sup>1</sup> / <sub>2</sub>	<sup>3</sup> / <sub>4</sub>	12	<sup>3</sup> / <sub>4</sub>	2	1 <sup>1</sup> / <sub>2</sub>	<sup>9</sup> / <sub>16</sub>	1 <sup>1</sup> / <sub>8</sub>	<sup>3</sup> / <sub>4</sub> -10	4 <sup>1</sup> / <sub>2</sub>	5 <sup>7</sup> / <sub>8</sub>	3 <sup>1</sup> / <sub>4</sub>	3 <sup>1</sup> / <sub>4</sub>

<sup>o</sup> NPTF ports will be furnished as standard unless SAE straight thread ports are specified.

\* SAE straight thread ports are indicated by port number.

**Table 5—Rod End Dimensions—Model 74**

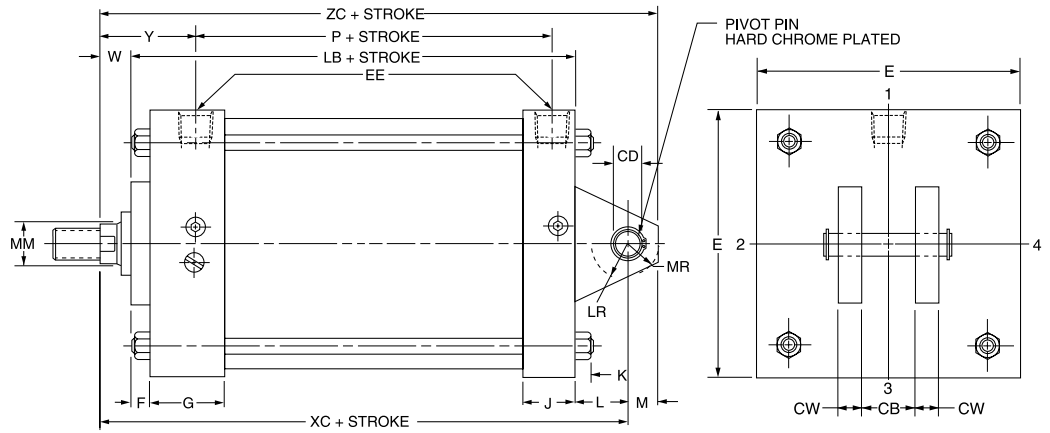
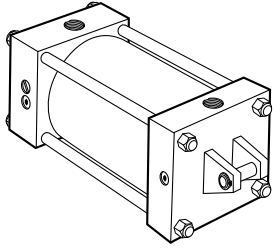
Bore	Rod Dia. MM	Thread		Rod Extensions and Pilot Dimensions								TT	XT	Y	Add Stroke ZB
		Style 5 IM	Style 2 & 4 KK	A	+0.000 -0.002 B	C	D	LA	NA	V	W				
8	2	1 <sup>3</sup> / <sub>4</sub> -12	1 <sup>1</sup> / <sub>2</sub> -12	2 <sup>1</sup> / <sub>4</sub>	2.624	<sup>7</sup> / <sub>8</sub>	1 <sup>11</sup> / <sub>16</sub>	3 <sup>1</sup> / <sub>2</sub>	1 <sup>15</sup> / <sub>16</sub>	<sup>3</sup> / <sub>8</sub>	1 <sup>1</sup> / <sub>4</sub>	4	3 <sup>3</sup> / <sub>16</sub>	3 <sup>3</sup> / <sub>16</sub>	7 <sup>11</sup> / <sub>16</sub>
	5 <sup>1</sup> / <sub>2</sub>	5 <sup>1</sup> / <sub>4</sub> -12	4-12	5 <sup>1</sup> / <sub>2</sub>	6.249	1	4 <sup>5</sup> / <sub>8</sub>	7	5 <sup>3</sup> / <sub>8</sub>	<sup>1</sup> / <sub>2</sub>	1 <sup>1</sup> / <sub>2</sub>	7	3 <sup>7</sup> / <sub>16</sub>	3 <sup>7</sup> / <sub>16</sub>	7 <sup>15</sup> / <sub>16</sub>
	2 <sup>1</sup> / <sub>2</sub>	2 <sup>1</sup> / <sub>4</sub> -12	1 <sup>7</sup> / <sub>8</sub> -12	3	3.124	1	2 <sup>1</sup> / <sub>16</sub>	4 <sup>1</sup> / <sub>2</sub>	2 <sup>3</sup> / <sub>8</sub>	<sup>1</sup> / <sub>2</sub>	1 <sup>1</sup> / <sub>2</sub>	4	3 <sup>7</sup> / <sub>16</sub>	3 <sup>7</sup> / <sub>16</sub>	7 <sup>15</sup> / <sub>16</sub>
	3	2 <sup>3</sup> / <sub>4</sub> -12	2 <sup>1</sup> / <sub>4</sub> -12	3 <sup>1</sup> / <sub>2</sub>	3.749	1	2 <sup>5</sup> / <sub>8</sub>	5	2 <sup>7</sup> / <sub>8</sub>	<sup>1</sup> / <sub>2</sub>	1 <sup>1</sup> / <sub>2</sub>	5 <sup>1</sup> / <sub>2</sub>	3 <sup>7</sup> / <sub>16</sub>	3 <sup>7</sup> / <sub>16</sub>	7 <sup>15</sup> / <sub>16</sub>
	3 <sup>1</sup> / <sub>2</sub>	3 <sup>1</sup> / <sub>4</sub> -12	2 <sup>1</sup> / <sub>2</sub> -12	3 <sup>1</sup> / <sub>2</sub>	4.249	1	3	5	3 <sup>3</sup> / <sub>8</sub>	<sup>1</sup> / <sub>2</sub>	1 <sup>1</sup> / <sub>2</sub>	5 <sup>1</sup> / <sub>2</sub>	3 <sup>7</sup> / <sub>16</sub>	3 <sup>7</sup> / <sub>16</sub>	7 <sup>15</sup> / <sub>16</sub>
	4	3 <sup>3</sup> / <sub>4</sub> -12	3-12	4	4.749	1	3 <sup>3</sup> / <sub>8</sub>	5 <sup>1</sup> / <sub>2</sub>	3 <sup>7</sup> / <sub>8</sub>	<sup>1</sup> / <sub>2</sub>	1 <sup>1</sup> / <sub>2</sub>	5 <sup>1</sup> / <sub>2</sub>	3 <sup>7</sup> / <sub>16</sub>	3 <sup>7</sup> / <sub>16</sub>	7 <sup>15</sup> / <sub>16</sub>
	1 <sup>3</sup> / <sub>8</sub>	1 <sup>1</sup> / <sub>4</sub> -12	1-14	1 <sup>5</sup> / <sub>8</sub>	1.999	<sup>5</sup> / <sub>8</sub>	1 <sup>1</sup> / <sub>8</sub>	2 <sup>1</sup> / <sub>2</sub>	1 <sup>5</sup> / <sub>16</sub>	<sup>1</sup> / <sub>4</sub>	<sup>7</sup> / <sub>8</sub>	4	2 <sup>13</sup> / <sub>16</sub>	2 <sup>13</sup> / <sub>16</sub>	7 <sup>9</sup> / <sub>16</sub>
	1 <sup>3</sup> / <sub>4</sub>	1 <sup>1</sup> / <sub>2</sub> -12	1 <sup>1</sup> / <sub>4</sub> -12	2	2.374	<sup>3</sup> / <sub>4</sub>	1 <sup>1</sup> / <sub>2</sub>	3 <sup>1</sup> / <sub>8</sub>	1 <sup>11</sup> / <sub>16</sub>	<sup>3</sup> / <sub>8</sub>	1 <sup>1</sup> / <sub>8</sub>	4	3 <sup>1</sup> / <sub>16</sub>	3 <sup>1</sup> / <sub>16</sub>	7 <sup>9</sup> / <sub>16</sub>
	4 <sup>1</sup> / <sub>2</sub>	4 <sup>1</sup> / <sub>4</sub> -12	3 <sup>1</sup> / <sub>4</sub> -12	4 <sup>1</sup> / <sub>2</sub>	5.249	1	3 <sup>7</sup> / <sub>8</sub>	6	4 <sup>3</sup> / <sub>8</sub>	<sup>1</sup> / <sub>2</sub>	1 <sup>1</sup> / <sub>2</sub>	7	3 <sup>7</sup> / <sub>16</sub>	3 <sup>7</sup> / <sub>16</sub>	7 <sup>15</sup> / <sub>16</sub>
5	4 <sup>3</sup> / <sub>4</sub> -12	3 <sup>1</sup> / <sub>2</sub> -12	5	5.749	1	4 <sup>1</sup> / <sub>4</sub>	6 <sup>1</sup> / <sub>2</sub>	4 <sup>7</sup> / <sub>8</sub>	<sup>1</sup> / <sub>2</sub>	1 <sup>1</sup> / <sub>2</sub>	7	3 <sup>7</sup> / <sub>16</sub>	3 <sup>7</sup> / <sub>16</sub>	7 <sup>15</sup> / <sub>16</sub>	

**Table 6 — Envelope and Mounting Dimensions**

# Miller JV Series Medium-Duty Hydraulic Cylinders

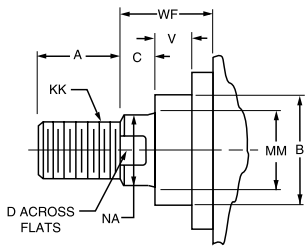
Cap Fixed Clevis Mount  
8" Bore Size

Cap Fixed Clevis Mount  
Model 84

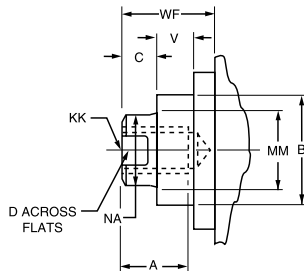


## Rod End Dimensions — see table 2

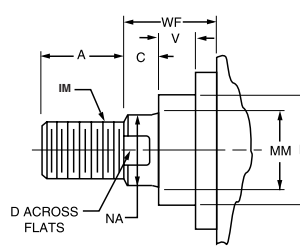
**Thread Style 2**  
Small Male



**Thread Style 4**  
Short Female



**Thread Style 5**  
Intermediate Male



### “Special” Thread Style X

Special thread, extension, rod eye, blank, etc., are also available.

To order, specify “Style X” and give desired dimensions for KK, A, W. If otherwise special, furnish dimensioned sketch.

A high strength rod end stud is supplied on thread style 2 through 2" diameter rods and on thread style 5 through 1 7/8" diameter rods. Larger sizes or special rod ends are cut threads. Style 2 rod ends are recommended where the workpiece is secured against the rod shoulder. When the workpiece is not shouldered, style 2 rod ends are

recommended through 2" piston rod diameters and style 5 rod ends are recommended on larger diameters. Use style 4 for applications where female rod end threads are required. If rod end is not specified, style 2 will be supplied.

# Miller JV Series Medium-Duty Hydraulic Cylinders

Cap Fixed Clevis Mount  
8" Bore Size

**Table 1—Envelope and Mounting Dimensions—Model 84**

Bore	CB	+.000 -.002 CD*	CW	E	EE		F	G	J	K	L	LR	M	MR	Add Stroke	
					NPTF <sup>o</sup>	SAE*									LB	P
8	1 1/2	1.001	3/4	8 1/2	3/4	12	3/4	2	1 1/2	9/16	1 1/2	1 1/4	1	1 3/16	5 7/8	3 1/4

<sup>o</sup> NPTF ports will be furnished as standard unless SAE straight thread ports are specified.

\* SAE straight thread ports are indicated by port number.

\* Dimension CD is pin diameter.

**Table 2—Rod End Dimensions—Model 84**

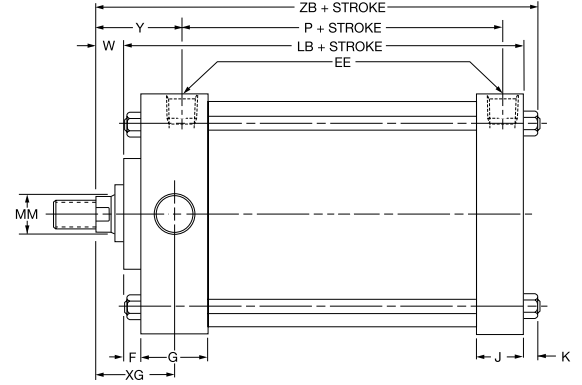
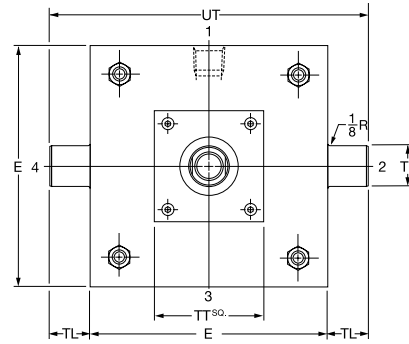
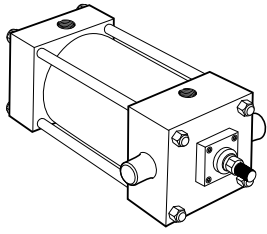
Bore	Rod Dia. MM	Thread		Rod Extensions and Pilot Dimensions								Add Stroke		
		CC	KK	A	+.000 -.002 B	C	D	LA	NA	V	W	Y	XC	ZC
8	2	1 3/4-12	1 1/2-12	2 1/4	2.624	7/8	1 11/16	3 1/2	1 15/16	3/8	1 1/4	3 3/16	8 5/8	9 5/8
	5 1/2	5 1/4-12	4-12	5 1/2	6.249	1	4 5/8	7	5 3/8	1/2	1 1/2	3 7/16	8 7/8	9 7/8
	2 1/2	2 1/4-12	1 7/8-12	3	3.124	1	2 1/16	4 1/2	2 3/8	1/2	1 1/2	3 7/16	8 7/8	9 7/8
	3	2 3/4-12	2 1/4-12	3 1/2	3.749	1	2 5/8	5	2 7/8	1/2	1 1/2	3 7/16	8 7/8	9 7/8
	3 1/2	3 1/4-12	2 1/2-12	3 1/2	4.249	1	3	5	3 3/8	1/2	1 1/2	3 7/16	8 7/8	9 7/8
	4	3 3/4-12	3-12	4	4.749	1	3 3/8	5 1/2	3 7/8	1/2	1 1/2	3 7/16	8 7/8	9 7/8
	1 3/8	1 1/4-12	1-14	1 5/8	1.999	5/8	1 1/8	2 1/2	1 5/16	1/4	7/8	2 13/16	8 1/4	9 1/4
	1 3/4	1 1/2-12	1 1/4-12	2	2.374	3/4	1 1/2	3 1/8	1 11/16	3/8	1 1/8	3 1/16	8 1/2	9 1/2
	4 1/2	4 1/4-12	3 1/4-12	4 1/2	5.249	1	3 7/8	6	4 3/8	1/2	1 1/2	3 7/16	8 7/8	9 7/8
5	4 3/4-12	3 1/2-12	5	5.749	1	4 1/4	6 1/2	4 7/8	1/2	1 1/2	3 7/16	8 7/8	9 7/8	

**Table 3 — Envelope and Mounting Dimensions**

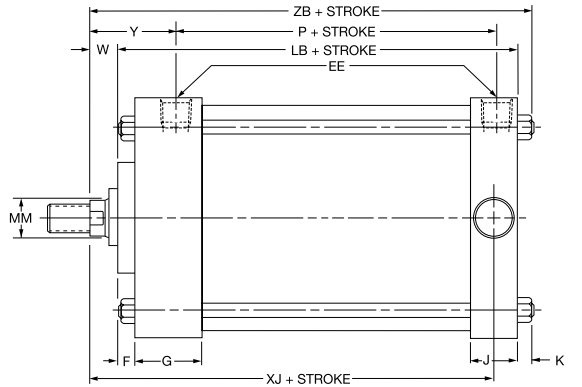
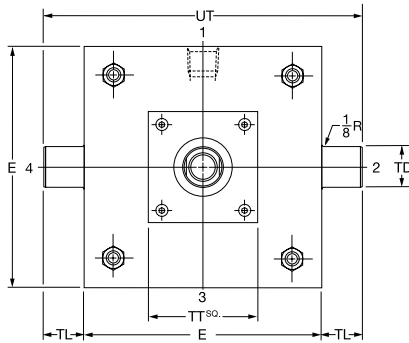
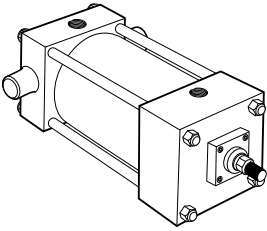
# Miller JV Series Medium-Duty Hydraulic Cylinders

Head Trunnion Mount  
Cap Trunnion Mount  
Intermediate Trunnion Mount  
8" Bore Size

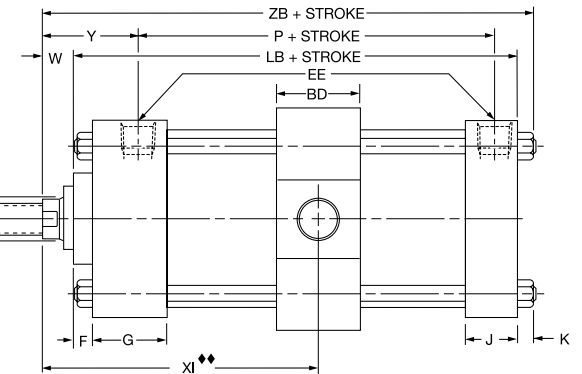
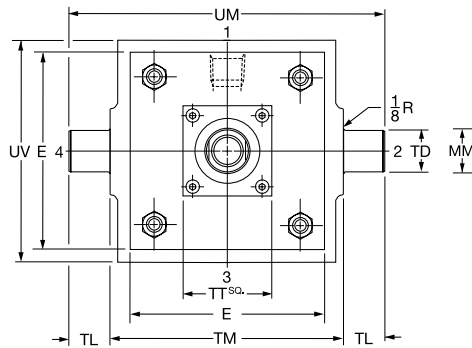
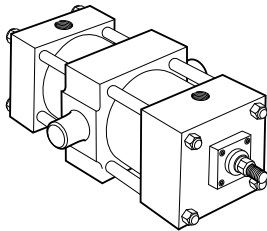
## Head Trunnion Mount Model 81



## Cap Trunnion Mount Model 82



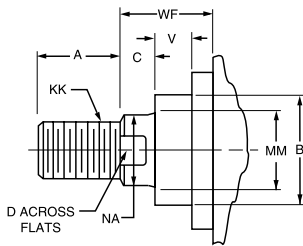
## Intermediate Trunnion Mount Model 89



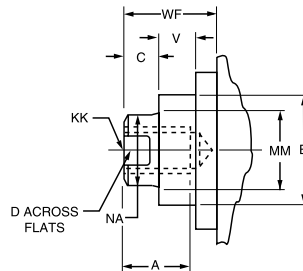
◆◆Dimension "XI" to be specified by customer.

## Rod End Dimensions — see table 2

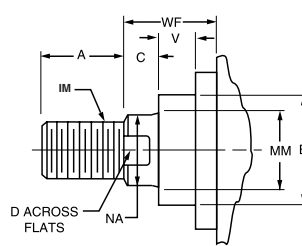
### Thread Style 2 Small Male



### Thread Style 4 Short Female



### Thread Style 5 Intermediate Male



### "Special" Thread Style X

Special thread, extension, rod eye, blank, etc., are also available.

To order, specify "Style X" and give desired dimensions for KK, A, W. If otherwise special, furnish dimensioned sketch.

A high strength rod end stud is supplied on thread style 2 through 2" diameter rods and on thread style 5 through 1 7/8" diameter rods. Larger sizes or special rod ends are cut threads. Style 2 rod ends are recommended where the workpiece is secured against the rod shoulder. When the workpiece is not shouldered, style 2 rod ends are

recommended through 2" piston rod diameters and style 5 rod ends are recommended on larger diameters. Use style 4 for applications where female rod end threads are required. If rod end is not specified, style 2 will be supplied.

# Miller JV Series Medium-Duty Hydraulic Cylinders

Head Trunnion Mount  
Cap Trunnion Mount  
Intermediate Trunnion Mount  
8" Bore Size

**Table 1—Envelope and Mounting Dimensions—Model 81 and Model 82**

Bore	E	EE		F	G	J	K	+.000 -.001 TD	TL	UT	Add Stroke	
		NPTF <sup>o</sup>	SAE*								LB	P
8	8 <sup>1</sup> / <sub>2</sub>	<sup>3</sup> / <sub>4</sub>	12	<sup>3</sup> / <sub>4</sub>	2	1 <sup>1</sup> / <sub>2</sub>	<sup>9</sup> / <sub>16</sub>	1.375	1 <sup>3</sup> / <sub>8</sub>	11 <sup>1</sup> / <sub>4</sub>	5 <sup>7</sup> / <sub>8</sub>	3 <sup>1</sup> / <sub>4</sub>

<sup>o</sup> NPTF ports will be furnished as standard unless SAE straight thread ports are specified.

\* SAE straight thread ports are indicated by port number.

**Table 2—Rod End Dimensions—Model 81 and Model 82**

Bore	Rod Dia. MM	Thread		Rod Extensions and Pilot Dimensions								Add Stroke				
		Style 5 IM	Style 2 & 4 KK	A	+.000 -.002 B	C	D	LA	NA	V	W	TT	XG	Y	XJ	ZB
8	2	1 <sup>3</sup> / <sub>4</sub> -12	1 <sup>1</sup> / <sub>2</sub> -12	2 <sup>1</sup> / <sub>4</sub>	2.624	<sup>7</sup> / <sub>8</sub>	1 <sup>11</sup> / <sub>16</sub>	3 <sup>1</sup> / <sub>2</sub>	1 <sup>15</sup> / <sub>16</sub>	<sup>3</sup> / <sub>8</sub>	1 <sup>1</sup> / <sub>4</sub>	4	3	3 <sup>3</sup> / <sub>16</sub>	6 <sup>3</sup> / <sub>8</sub>	7 <sup>11</sup> / <sub>16</sub>
	5 <sup>1</sup> / <sub>2</sub>	5 <sup>1</sup> / <sub>4</sub> -12	4-12	5 <sup>1</sup> / <sub>2</sub>	6.249	1	4 <sup>5</sup> / <sub>8</sub>	7	5 <sup>3</sup> / <sub>8</sub>	<sup>1</sup> / <sub>2</sub>	1 <sup>1</sup> / <sub>2</sub>	7	3 <sup>1</sup> / <sub>4</sub>	3 <sup>7</sup> / <sub>16</sub>	6 <sup>5</sup> / <sub>8</sub>	7 <sup>15</sup> / <sub>16</sub>
	2 <sup>1</sup> / <sub>2</sub>	2 <sup>1</sup> / <sub>4</sub> -12	1 <sup>7</sup> / <sub>8</sub> -12	3	3.124	1	2 <sup>1</sup> / <sub>16</sub>	4 <sup>1</sup> / <sub>2</sub>	2 <sup>3</sup> / <sub>8</sub>	<sup>1</sup> / <sub>2</sub>	1 <sup>1</sup> / <sub>2</sub>	4	3 <sup>1</sup> / <sub>4</sub>	3 <sup>7</sup> / <sub>16</sub>	6 <sup>5</sup> / <sub>8</sub>	7 <sup>15</sup> / <sub>16</sub>
	3	2 <sup>3</sup> / <sub>4</sub> -12	2 <sup>1</sup> / <sub>4</sub> -12	3 <sup>1</sup> / <sub>2</sub>	3.749	1	2 <sup>5</sup> / <sub>8</sub>	5	2 <sup>7</sup> / <sub>8</sub>	<sup>1</sup> / <sub>2</sub>	1 <sup>1</sup> / <sub>2</sub>	5 <sup>1</sup> / <sub>2</sub>	3 <sup>1</sup> / <sub>4</sub>	3 <sup>7</sup> / <sub>16</sub>	6 <sup>5</sup> / <sub>8</sub>	7 <sup>15</sup> / <sub>16</sub>
	3 <sup>1</sup> / <sub>2</sub>	3 <sup>1</sup> / <sub>4</sub> -12	2 <sup>1</sup> / <sub>2</sub> -12	3 <sup>1</sup> / <sub>2</sub>	4.249	1	3	5	3 <sup>3</sup> / <sub>8</sub>	<sup>1</sup> / <sub>2</sub>	1 <sup>1</sup> / <sub>2</sub>	5 <sup>1</sup> / <sub>2</sub>	3 <sup>1</sup> / <sub>4</sub>	3 <sup>7</sup> / <sub>16</sub>	6 <sup>5</sup> / <sub>8</sub>	7 <sup>15</sup> / <sub>16</sub>
	4	3 <sup>3</sup> / <sub>4</sub> -12	3-12	4	4.749	1	3 <sup>3</sup> / <sub>8</sub>	5 <sup>1</sup> / <sub>2</sub>	3 <sup>7</sup> / <sub>8</sub>	<sup>1</sup> / <sub>2</sub>	1 <sup>1</sup> / <sub>2</sub>	5 <sup>1</sup> / <sub>2</sub>	3 <sup>1</sup> / <sub>4</sub>	3 <sup>7</sup> / <sub>16</sub>	6 <sup>5</sup> / <sub>8</sub>	7 <sup>15</sup> / <sub>16</sub>
	1 <sup>3</sup> / <sub>8</sub>	1 <sup>1</sup> / <sub>4</sub> -12	1-14	1 <sup>5</sup> / <sub>8</sub>	1.999	<sup>5</sup> / <sub>8</sub>	1 <sup>1</sup> / <sub>8</sub>	2 <sup>1</sup> / <sub>2</sub>	1 <sup>5</sup> / <sub>16</sub>	<sup>1</sup> / <sub>4</sub>	<sup>7</sup> / <sub>8</sub>	4	2 <sup>5</sup> / <sub>8</sub>	2 <sup>13</sup> / <sub>16</sub>	6	7 <sup>5</sup> / <sub>16</sub>
	1 <sup>3</sup> / <sub>4</sub>	1 <sup>1</sup> / <sub>2</sub> -12	1 <sup>1</sup> / <sub>4</sub> -12	2	2.374	<sup>3</sup> / <sub>4</sub>	1 <sup>1</sup> / <sub>2</sub>	3 <sup>1</sup> / <sub>8</sub>	1 <sup>11</sup> / <sub>16</sub>	<sup>3</sup> / <sub>8</sub>	1 <sup>1</sup> / <sub>8</sub>	4	2 <sup>7</sup> / <sub>8</sub>	3 <sup>1</sup> / <sub>16</sub>	6 <sup>1</sup> / <sub>4</sub>	7 <sup>9</sup> / <sub>16</sub>
	4 <sup>1</sup> / <sub>2</sub>	4 <sup>1</sup> / <sub>4</sub> -12	3 <sup>1</sup> / <sub>4</sub> -12	4 <sup>1</sup> / <sub>2</sub>	5.249	1	3 <sup>7</sup> / <sub>8</sub>	6	4 <sup>3</sup> / <sub>8</sub>	<sup>1</sup> / <sub>2</sub>	1 <sup>1</sup> / <sub>2</sub>	7	3 <sup>1</sup> / <sub>4</sub>	3 <sup>7</sup> / <sub>16</sub>	6 <sup>5</sup> / <sub>8</sub>	7 <sup>15</sup> / <sub>16</sub>
5	4 <sup>3</sup> / <sub>4</sub> -12	3 <sup>1</sup> / <sub>2</sub> -12	5	5.749	1	4 <sup>1</sup> / <sub>4</sub>	6 <sup>1</sup> / <sub>2</sub>	4 <sup>7</sup> / <sub>8</sub>	<sup>1</sup> / <sub>2</sub>	1 <sup>1</sup> / <sub>2</sub>	7	3 <sup>1</sup> / <sub>4</sub>	3 <sup>7</sup> / <sub>16</sub>	6 <sup>5</sup> / <sub>8</sub>	7 <sup>15</sup> / <sub>16</sub>	

**Table 3—Envelope and Mounting Dimensions**

**Table 4—Envelope and Mounting Dimensions—Model 89**

Bore	BD	E	EE		F	G	J	K	+.000 -.001 TD	TL	TM	UM	UV	Add Stroke		Style DD Min. Stroke
			NPTF <sup>o</sup>	SAE*										LB	P	
8	2 <sup>1</sup> / <sub>2</sub>	8 <sup>1</sup> / <sub>2</sub>	<sup>3</sup> / <sub>4</sub>	12	<sup>3</sup> / <sub>4</sub>	2	1 <sup>1</sup> / <sub>2</sub>	<sup>9</sup> / <sub>16</sub>	1.375	1 <sup>3</sup> / <sub>8</sub>	9 <sup>3</sup> / <sub>4</sub>	12 <sup>1</sup> / <sub>2</sub>	9 <sup>1</sup> / <sub>2</sub>	5 <sup>7</sup> / <sub>8</sub>	3 <sup>1</sup> / <sub>4</sub>	7 <sup>8</sup>

<sup>o</sup> NPTF ports will be furnished as standard unless SAE straight thread ports are specified.

\* SAE straight thread ports are indicated by port number.

**Table 5—Rod End Dimensions—Model 89**

Bore	Rod Dia. MM	Thread		Rod Extensions and Pilot Dimensions								TT	Min. ♦♦ XI	Y	Add Stroke ZB
		Style 5 IM	Style 2 & 4 KK	A	+.000 -.002 B	C	D	LA	NA	V	W				
8	2	1 <sup>3</sup> / <sub>4</sub> -12	1 <sup>1</sup> / <sub>2</sub> -12	2 <sup>1</sup> / <sub>4</sub>	2.624	<sup>7</sup> / <sub>8</sub>	1 <sup>11</sup> / <sub>16</sub>	3 <sup>1</sup> / <sub>2</sub>	1 <sup>15</sup> / <sub>16</sub>	<sup>3</sup> / <sub>8</sub>	1 <sup>1</sup> / <sub>4</sub>	4	5 <sup>5</sup> / <sub>16</sub>	3 <sup>3</sup> / <sub>16</sub>	7 <sup>11</sup> / <sub>16</sub>
	5 <sup>1</sup> / <sub>2</sub>	5 <sup>1</sup> / <sub>4</sub> -12	4-12	5 <sup>1</sup> / <sub>2</sub>	6.249	1	4 <sup>5</sup> / <sub>8</sub>	7	5 <sup>3</sup> / <sub>8</sub>	<sup>1</sup> / <sub>2</sub>	1 <sup>1</sup> / <sub>2</sub>	7	5 <sup>9</sup> / <sub>16</sub>	3 <sup>7</sup> / <sub>16</sub>	7 <sup>15</sup> / <sub>16</sub>
	2 <sup>1</sup> / <sub>2</sub>	2 <sup>1</sup> / <sub>4</sub> -12	1 <sup>7</sup> / <sub>8</sub> -12	3	3.124	1	2 <sup>1</sup> / <sub>16</sub>	4 <sup>1</sup> / <sub>2</sub>	2 <sup>3</sup> / <sub>8</sub>	<sup>1</sup> / <sub>2</sub>	1 <sup>1</sup> / <sub>2</sub>	4	5 <sup>9</sup> / <sub>16</sub>	3 <sup>7</sup> / <sub>16</sub>	7 <sup>15</sup> / <sub>16</sub>
	3	2 <sup>3</sup> / <sub>4</sub> -12	2 <sup>1</sup> / <sub>4</sub> -12	3 <sup>1</sup> / <sub>2</sub>	3.749	1	2 <sup>5</sup> / <sub>8</sub>	5	2 <sup>7</sup> / <sub>8</sub>	<sup>1</sup> / <sub>2</sub>	1 <sup>1</sup> / <sub>2</sub>	5 <sup>1</sup> / <sub>2</sub>	5 <sup>9</sup> / <sub>16</sub>	3 <sup>7</sup> / <sub>16</sub>	7 <sup>15</sup> / <sub>16</sub>
	3 <sup>1</sup> / <sub>2</sub>	3 <sup>1</sup> / <sub>4</sub> -12	2 <sup>1</sup> / <sub>2</sub> -12	3 <sup>1</sup> / <sub>2</sub>	4.249	1	3	5	3 <sup>3</sup> / <sub>8</sub>	<sup>1</sup> / <sub>2</sub>	1 <sup>1</sup> / <sub>2</sub>	5 <sup>1</sup> / <sub>2</sub>	5 <sup>9</sup> / <sub>16</sub>	3 <sup>7</sup> / <sub>16</sub>	7 <sup>15</sup> / <sub>16</sub>
	4	3 <sup>3</sup> / <sub>4</sub> -12	3-12	4	4.749	1	3 <sup>3</sup> / <sub>8</sub>	5 <sup>1</sup> / <sub>2</sub>	3 <sup>7</sup> / <sub>8</sub>	<sup>1</sup> / <sub>2</sub>	1 <sup>1</sup> / <sub>2</sub>	5 <sup>1</sup> / <sub>2</sub>	5 <sup>9</sup> / <sub>16</sub>	3 <sup>7</sup> / <sub>16</sub>	7 <sup>15</sup> / <sub>16</sub>
	1 <sup>3</sup> / <sub>8</sub>	1 <sup>1</sup> / <sub>4</sub> -12	1-14	1 <sup>5</sup> / <sub>8</sub>	1.999	<sup>5</sup> / <sub>8</sub>	1 <sup>1</sup> / <sub>8</sub>	2 <sup>1</sup> / <sub>2</sub>	1 <sup>5</sup> / <sub>16</sub>	<sup>1</sup> / <sub>4</sub>	<sup>7</sup> / <sub>8</sub>	4	4 <sup>15</sup> / <sub>16</sub>	2 <sup>13</sup> / <sub>16</sub>	7 <sup>5</sup> / <sub>16</sub>
	1 <sup>3</sup> / <sub>4</sub>	1 <sup>1</sup> / <sub>2</sub> -12	1 <sup>1</sup> / <sub>4</sub> -12	2	2.374	<sup>3</sup> / <sub>4</sub>	1 <sup>1</sup> / <sub>2</sub>	3 <sup>1</sup> / <sub>8</sub>	1 <sup>11</sup> / <sub>16</sub>	<sup>3</sup> / <sub>8</sub>	1 <sup>1</sup> / <sub>8</sub>	4	5 <sup>3</sup> / <sub>16</sub>	3 <sup>1</sup> / <sub>16</sub>	7 <sup>9</sup> / <sub>16</sub>
	4 <sup>1</sup> / <sub>2</sub>	4 <sup>1</sup> / <sub>4</sub> -12	3 <sup>1</sup> / <sub>4</sub> -12	4 <sup>1</sup> / <sub>2</sub>	5.249	1	3 <sup>7</sup> / <sub>8</sub>	6	4 <sup>3</sup> / <sub>8</sub>	<sup>1</sup> / <sub>2</sub>	1 <sup>1</sup> / <sub>2</sub>	7	5 <sup>9</sup> / <sub>16</sub>	3 <sup>7</sup> / <sub>16</sub>	7 <sup>15</sup> / <sub>16</sub>
5	4 <sup>3</sup> / <sub>4</sub> -12	3 <sup>1</sup> / <sub>2</sub> -12	5	5.749	1	4 <sup>1</sup> / <sub>4</sub>	6 <sup>1</sup> / <sub>2</sub>	4 <sup>7</sup> / <sub>8</sub>	<sup>1</sup> / <sub>2</sub>	1 <sup>1</sup> / <sub>2</sub>	7	5 <sup>9</sup> / <sub>16</sub>	3 <sup>7</sup> / <sub>16</sub>	7 <sup>15</sup> / <sub>16</sub>	

**Table 6—Envelope and Mounting Dimensions**

♦♦ Dimension XI to be specified by customer.

# Miller JV Series Medium-Duty Hydraulic Cylinders

Double Rod End Cylinders

## How to Use Double Rod Cylinder Dimension Drawings

To determine dimensions for a double rod cylinder, first refer to the desired single rod mounting style cylinder shown on preceding pages of this catalog. After selecting necessary dimensions from that drawing, return to this page, supplement the single rod dimensions with those shown on the drawing and dimension table. Note that double rod cylinders have a head (Dim. G) at both ends and that dimension LD replaces LB. The double rod dimensions differ from, or are in addition to, those for single rod cylinders shown on preceding pages and provide the information needed to completely dimension a double rod cylinder.

On a double rod cylinder where the two rod ends are different, be sure to clearly state which rod end is to be assembled at which end.

Port position 1 is standard. If other than standard, specify pos. 2, 3, or 4 when viewed from one end only.

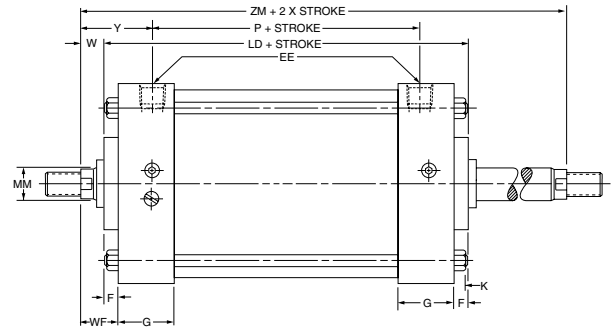
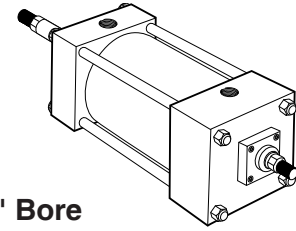


Table 1—Envelope and Mounting Dimensions

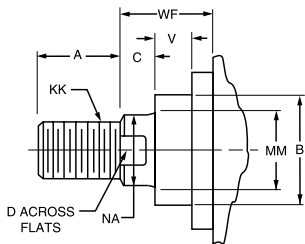
Bore	E	EE (NPTF)	F	G	K	LD	P	SA	SS
8	8 <sup>1</sup> / <sub>2</sub>	<sup>3</sup> / <sub>4</sub>	<sup>3</sup> / <sub>4</sub>	2	<sup>9</sup> / <sub>16</sub>	7 <sup>1</sup> / <sub>8</sub>	3 <sup>1</sup> / <sub>4</sub>	9 <sup>1</sup> / <sub>4</sub>	4 <sup>1</sup> / <sub>4</sub>

Table 2—Rod End Dimensions

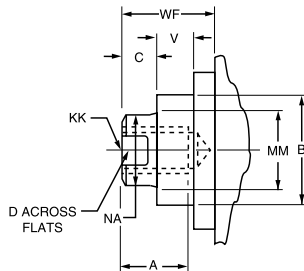
Bore	Rod Dia. MM	Thread		Rod Extensions and Pilot Dimensions									
		Style 5 IM	Style 2 & 4 KK	A	+0.000 -0.002 B	C	D	NA	V	W	WF	Y	ZM
8	2	1 <sup>3</sup> / <sub>4</sub> -12	1 <sup>1</sup> / <sub>2</sub> -12	2 <sup>1</sup> / <sub>4</sub>	2.624	<sup>7</sup> / <sub>8</sub>	1 <sup>11</sup> / <sub>16</sub>	1 <sup>15</sup> / <sub>16</sub>	<sup>3</sup> / <sub>8</sub>	1 <sup>1</sup> / <sub>4</sub>	2	3 <sup>3</sup> / <sub>16</sub>	9 <sup>5</sup> / <sub>8</sub>
	5 <sup>1</sup> / <sub>2</sub>	5 <sup>1</sup> / <sub>4</sub> -12	4-12	5 <sup>1</sup> / <sub>2</sub>	6.249	1	4 <sup>5</sup> / <sub>8</sub>	5 <sup>3</sup> / <sub>8</sub>	<sup>1</sup> / <sub>2</sub>	1 <sup>1</sup> / <sub>2</sub>	2 <sup>1</sup> / <sub>4</sub>	3 <sup>7</sup> / <sub>16</sub>	10 <sup>1</sup> / <sub>8</sub>
	2 <sup>1</sup> / <sub>2</sub>	2 <sup>1</sup> / <sub>4</sub> -12	1 <sup>7</sup> / <sub>8</sub> -12	3	3.124	1	2 <sup>1</sup> / <sub>16</sub>	2 <sup>3</sup> / <sub>8</sub>	<sup>1</sup> / <sub>2</sub>	1 <sup>1</sup> / <sub>2</sub>	2 <sup>1</sup> / <sub>4</sub>	3 <sup>7</sup> / <sub>16</sub>	10 <sup>1</sup> / <sub>8</sub>
	3	2 <sup>3</sup> / <sub>4</sub> -12	2 <sup>1</sup> / <sub>4</sub> -12	3 <sup>1</sup> / <sub>2</sub>	3.749	1	2 <sup>5</sup> / <sub>8</sub>	2 <sup>7</sup> / <sub>8</sub>	<sup>1</sup> / <sub>2</sub>	1 <sup>1</sup> / <sub>2</sub>	2 <sup>1</sup> / <sub>4</sub>	3 <sup>7</sup> / <sub>16</sub>	10 <sup>1</sup> / <sub>8</sub>
	3 <sup>1</sup> / <sub>2</sub>	3 <sup>1</sup> / <sub>4</sub> -12	2 <sup>1</sup> / <sub>2</sub> -12	3 <sup>1</sup> / <sub>2</sub>	4.249	1	3	3 <sup>3</sup> / <sub>8</sub>	<sup>1</sup> / <sub>2</sub>	1 <sup>1</sup> / <sub>2</sub>	2 <sup>1</sup> / <sub>4</sub>	3 <sup>7</sup> / <sub>16</sub>	10 <sup>1</sup> / <sub>8</sub>
	4	3 <sup>3</sup> / <sub>4</sub> -12	3-12	4	4.749	1	3 <sup>3</sup> / <sub>8</sub>	3 <sup>7</sup> / <sub>8</sub>	<sup>1</sup> / <sub>2</sub>	1 <sup>1</sup> / <sub>2</sub>	2 <sup>1</sup> / <sub>4</sub>	3 <sup>7</sup> / <sub>16</sub>	10 <sup>1</sup> / <sub>8</sub>
	1 <sup>3</sup> / <sub>8</sub>	1 <sup>1</sup> / <sub>4</sub> -12	1-14	1 <sup>5</sup> / <sub>8</sub>	1.999	<sup>5</sup> / <sub>8</sub>	1 <sup>1</sup> / <sub>8</sub>	1 <sup>5</sup> / <sub>16</sub>	<sup>1</sup> / <sub>4</sub>	<sup>7</sup> / <sub>8</sub>	1 <sup>5</sup> / <sub>8</sub>	2 <sup>13</sup> / <sub>16</sub>	8 <sup>7</sup> / <sub>8</sub>
	1 <sup>3</sup> / <sub>4</sub>	1 <sup>1</sup> / <sub>2</sub> -12	1 <sup>1</sup> / <sub>4</sub> -12	2	2.374	<sup>3</sup> / <sub>4</sub>	1 <sup>1</sup> / <sub>2</sub>	1 <sup>11</sup> / <sub>16</sub>	<sup>3</sup> / <sub>8</sub>	1 <sup>1</sup> / <sub>8</sub>	1 <sup>7</sup> / <sub>8</sub>	3 <sup>1</sup> / <sub>16</sub>	9 <sup>3</sup> / <sub>8</sub>
	4 <sup>1</sup> / <sub>2</sub>	4 <sup>1</sup> / <sub>4</sub> -12	3 <sup>1</sup> / <sub>4</sub> -12	4 <sup>1</sup> / <sub>2</sub>	5.249	1	3 <sup>7</sup> / <sub>8</sub>	4 <sup>3</sup> / <sub>8</sub>	<sup>1</sup> / <sub>2</sub>	1 <sup>1</sup> / <sub>2</sub>	2 <sup>1</sup> / <sub>4</sub>	3 <sup>7</sup> / <sub>16</sub>	10 <sup>1</sup> / <sub>8</sub>
	5	4 <sup>3</sup> / <sub>4</sub> -12	3 <sup>1</sup> / <sub>2</sub> -12	5	5.749	1	4 <sup>1</sup> / <sub>4</sub>	4 <sup>7</sup> / <sub>8</sub>	<sup>1</sup> / <sub>2</sub>	1 <sup>1</sup> / <sub>2</sub>	2 <sup>1</sup> / <sub>4</sub>	3 <sup>7</sup> / <sub>16</sub>	10 <sup>1</sup> / <sub>8</sub>

### Rod End Dimensions — see table 2

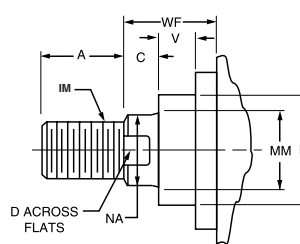
#### Thread Style 2 Small Male



#### Thread Style 4 Short Female



#### Thread Style 5 Intermediate Male



#### “Special” Thread Style X

Special thread, extension, rod eye, blank, etc., are also available.

To order, specify “Style X” and give desired dimensions for KK, A, W. If otherwise special, furnish dimensioned sketch.

A high strength rod end stud is supplied on thread style 2 through 2” diameter rods and on thread style 5 through 1<sup>5</sup>/<sub>8</sub>” diameter rods. Larger sizes or special rod ends are cut threads. Style 2 rod ends are recommended where the workpiece is secured against the rod shoulder. When the workpiece is not shouldered, style 2 rod ends are

recommended through 2” piston rod diameters and style 5 rod ends are recommended on larger diameters. Use style 4 for applications where female rod end threads are required. If rod end is not specified, style 2 will be supplied.



# Miller JV Series Medium-Duty Hydraulic Cylinders

Linear Alignment Couplers

## Linear Alignment Couplers are available in 13 standard thread sizes...

### Cost Saving Features and Benefits Include...

- Maximum reliability for trouble-free operation, long life and lower operating costs
- Simplifying cylinder installation and reducing assembly costs
- Increased cylinder life by reducing wear on piston and rod bearings
- Increase rod bearing and rod seal life for lower maintenance costs

### Alignment Coupler

See Table 1 for Part Numbers and Dimensions

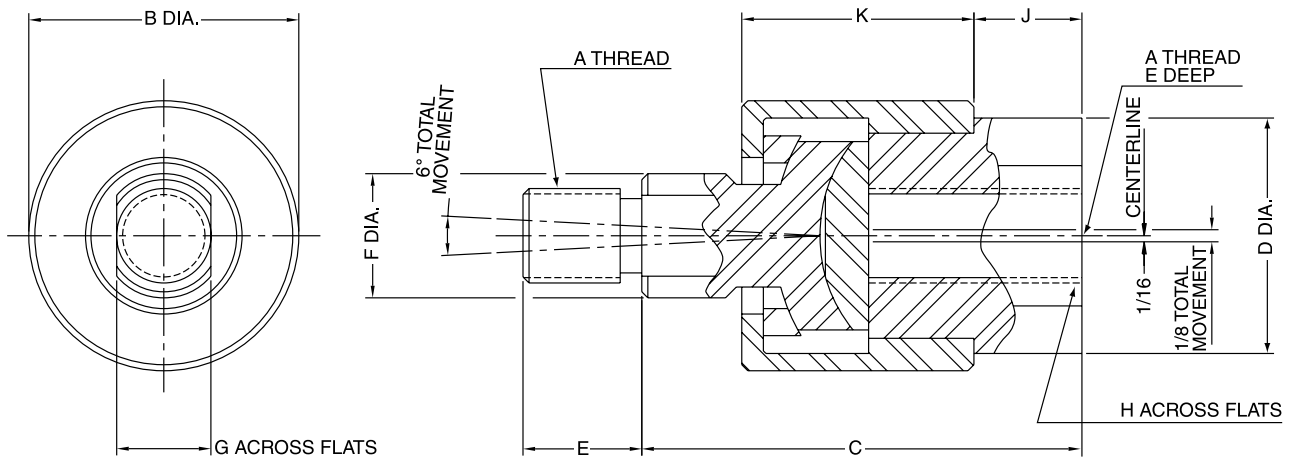


Table 1 — Part Numbers and Dimensions

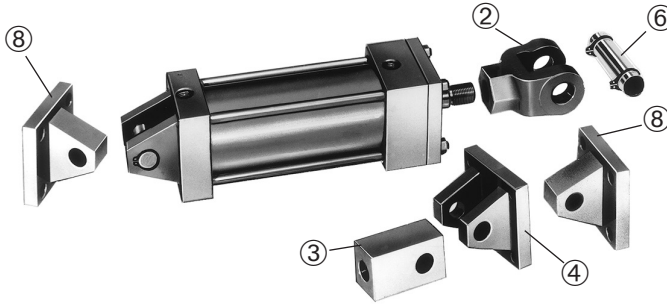
Part No.	A	B	C	D	E	F	G	H	J	K	Max. Pull Load (lbs.)	Approx. Weight (lbs.)
1347570031	5/16-24	1 1/8	1 3/4	15/16	1/2	1/2	3/8	3/4	3/8	15/16	1200	.35
1347570038	3/8-24	1 1/8	1 3/4	15/16	1/2	1/2	3/8	3/4	3/8	15/16	2425	.35
1347570044	7/16-20	1 3/8	2	1 1/8	3/4	5/8	1/2	7/8	3/8	1 3/32	3250	.55
1347570050	1/2-20	1 3/8	2	1 1/8	3/4	5/8	1/2	7/8	3/8	1 3/32	4450	.55
1347570063	5/8-18	1 3/8	2	1 1/8	3/4	5/8	1/2	7/8	3/8	1 3/32	6800	.55
1347570075	3/4-16	2	2 5/16	1 5/8	1 1/8	15/16	3/4	1 5/16	7/16	1 9/32	9050	1.4
1347570088	7/8-14	2	2 5/16	1 5/8	1 1/8	15/16	3/4	1 5/16	7/16	1 9/32	14450	1.4
1347570100	1-14	3 1/8	3	2 3/8	1 5/8	1 7/16	1 1/4	1 7/8	3/4	1 25/32	19425	4.8
1347570125	1 1/4-12	3 1/8	3	2 3/8	1 5/8	1 7/16	1 1/4	1 7/8	3/4	1 25/32	30500	4.8
1337390125	1 1/4-12	3 1/2	4	2	2	1 1/2	1 1/4	1 11/16	3/4	2 1/2	30500	6.9
1337390150	1 1/2-12	4	4 3/8	2 1/4	2 1/4	1 3/4	1 1/2	1 15/16	7/8	2 3/4	45750	9.8
1337390175	1 3/4-12	4	4 3/8	2 1/4	2 1/4	1 3/4	1 1/2	1 15/16	7/8	2 3/4	58350	9.8
1337390188	1 7/8-12	5	5 5/8	3	3	2 1/4	1 15/16	2 5/8	1 3/8	3 3/8	67550	19.8

**How to Order Linear Alignment Couplers** — When ordering a cylinder with a threaded male rod end, specify the coupler of equal thread size by part number as listed

in Table 1, i.e.; Piston Rod “KK” dimension is 3/4" - 16", specify coupler part number 1347570075.

# Miller JV Series Medium-Duty Hydraulic Cylinders

Cylinder Accessories



## Cylinder Accessories

Miller Fluid Power offers a complete range of cylinder accessories to assure you of greatest versatility in present or future cylinder applications.

## Rod End Accessories

Accessories offered for the rod end of the cylinder include Rod Clevis, Eye Bracket, Rod Eye, Clevis Bracket and Pivot Pin. To select the proper part number for any desired accessory, refer to Chart A below and look opposite the thread size of the rod end as indicated in the first column. The Pivot Pins, Eye Brackets and Clevis Brackets are listed opposite the thread size which their mating Rod Eyes or Clevises fit.

Chart A

Thread Size	Mating Parts			Mating Parts			Alignment Coupler
	Rod Clevis	Eye Bracket	Pin	Rod Eye	Clevis Bracket	Pin	
5/16-24	51221	74077	—	74075	74076	74078	1347570031
7/16-20	50940	69195	68368	69089	69205	68368	1347570044
1/2-20	50941	69195	68368	69090	69205	68368	1347570050
3/4-16	50942	69196	68369	69091	69206	68369	1347570075
3/4-16	133284	69196	68369	69091	69206	68369	1347570075
7/8-14	50943	*85361	68370	69092	69207	68370	1347570088
1-14	50944	*85361	68370	69093	69207	68370	1347570100
1-14	133285	*85361	68370	69093	69207	68370	1347570100
1 1/4-12	50945	69198	68371	69094	69208	68371	1347570125
1 1/4-12	133286	69198	68371	69094	69208	68371	1347570125
1 1/2-12	50946	*85362	68372	69095	69209	68372	1337390150
1 3/4-12	50947	*85363	68373	69096	69210	69215	1337390175
1 7/8-12	50948	*85363	68373	69097	69210	69215	1337390188
2 1/4-12	50949	*85364	68374	69098	69211	68374	Consult Factory
2 1/2-12	50950	*85365	68375	69099	69212	68375	
2 3/4-12	50951	*85365	68375	69100	69213	69216	
3 1/4-12	50952	73538	73545	73536	73542	73545	
3 1/2-12	50953	73539	73547	73537	73542	73545	
4-12	50954	73539	73547	73538	73543	82181	
4 1/2-12	—	—	—	73439	73544	73547	

\*Cylinder accessory dimensions conform to NFPA recommended standard NFPA/T3.6.8 R1-1984, NFPA recommended standard fluid power systems — cylinder — dimensions for accessories for cataloged square head types.

Note: For economical accessory selection, it is recommended that rod end style 2 be specified on your cylinder order.

## Accessory Load Capacity

The various accessories on these pages have been load rated for your convenience. The load capacity in lbs. shown, is the recommended maximum load for that accessory based on a 4:1 design factor in tension. (Pivot Pin is rated in shear.) Before specifying, compare the actual load or the tension (pull) force at maximum operating pressure of the cylinder with the load capacity of the accessory you plan to use. If load or pull force of cylinder exceeds load capacity of accessory, consult factory.

Chart B

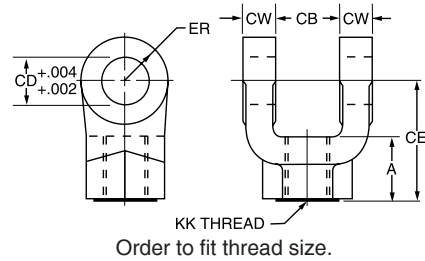
Eye Bracket Part No.	JV Series Bore Size
74076‡	1"
69195	1 1/2", 2", 2 1/2"
69196	3 1/4", 4", 5"
*85361	6", 8"

‡Use Clevis Bracket P/N 74076 for 1" bore single lug Model 84.

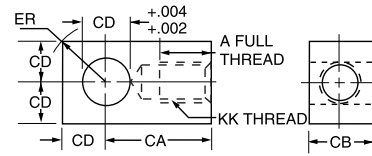
## Eye Brackets

Eye Brackets for Model 84 (clevis mounted) cylinders are offered. To select proper part number for your application, refer to Chart B.

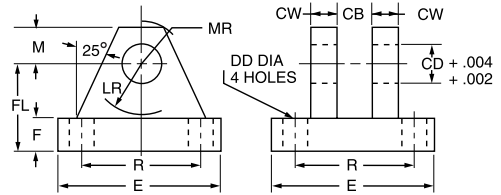
## ② Rod Clevis



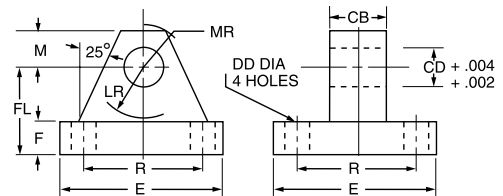
## ③ Rod Eye



## ④ Clevis Bracket

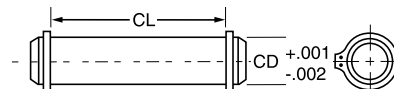


## ⑧ Eye Bracket



1. When used to mate with the Rod Clevis, select from Chart A.
2. When used to mount the Model 84 cylinders, select from Chart B at lower left.

## ⑥ Pivot Pin



1. Pivot Pins are furnished with Clevis Mounted Cylinders as standard.
2. Pivot Pins are furnished with (2) Retainer Rings.
3. Pivot Pins must be ordered as a separate item if to be used with Rod Eyes, Rod Clevises, or Clevis Brackets.

# Miller JV Series Medium-Duty Hydraulic Cylinders

Cylinder Accessories

	Rod Clevis Part Number																		
	51221†	50940	50941	50942	133284	50943	50944	133285	50945	133286	50946	50947	50948	50949	50950	50951	50952	50953	50954
<b>A</b>	<sup>13</sup> / <sub>16</sub>	<sup>3</sup> / <sub>4</sub>	<sup>3</sup> / <sub>4</sub>	<sup>1</sup> / <sub>8</sub>	<sup>1</sup> / <sub>8</sub>	<sup>5</sup> / <sub>8</sub>	<sup>5</sup> / <sub>8</sub>	<sup>5</sup> / <sub>8</sub>	<sup>1</sup> / <sub>8</sub>	2	<sup>2</sup> / <sub>4</sub>	3	3	<sup>3</sup> / <sub>2</sub>	<sup>3</sup> / <sub>2</sub>	<sup>3</sup> / <sub>2</sub>	<sup>3</sup> / <sub>2</sub>	4	4
<b>CB</b>	<sup>11</sup> / <sub>32</sub>	<sup>3</sup> / <sub>4</sub>	<sup>3</sup> / <sub>4</sub>	<sup>1</sup> / <sub>4</sub>	<sup>1</sup> / <sub>4</sub>	<sup>1</sup> / <sub>2</sub>	<sup>1</sup> / <sub>2</sub>	<sup>1</sup> / <sub>2</sub>	2	2	<sup>2</sup> / <sub>2</sub>	<sup>2</sup> / <sub>2</sub>	<sup>2</sup> / <sub>2</sub>	3	3	3	4	<sup>4</sup> / <sub>2</sub>	<sup>4</sup> / <sub>2</sub>
<b>CD</b>	<sup>5</sup> / <sub>16</sub>	<sup>1</sup> / <sub>2</sub>	<sup>1</sup> / <sub>2</sub>	<sup>3</sup> / <sub>4</sub>	<sup>3</sup> / <sub>4</sub>	1	1	1	<sup>1</sup> / <sub>8</sub>	<sup>1</sup> / <sub>8</sub>	<sup>1</sup> / <sub>4</sub>	2	2	<sup>2</sup> / <sub>2</sub>	3	3	<sup>3</sup> / <sub>2</sub>	4	4
<b>CE</b>	<sup>2</sup> / <sub>4</sub>	<sup>1</sup> / <sub>2</sub>	<sup>1</sup> / <sub>2</sub>	<sup>2</sup> / <sub>8</sub>	<sup>2</sup> / <sub>8</sub>	<sup>2</sup> / <sub>16</sub>	<sup>2</sup> / <sub>16</sub>	<sup>3</sup> / <sub>8</sub>	<sup>3</sup> / <sub>4</sub>	<sup>4</sup> / <sub>8</sub>	<sup>4</sup> / <sub>2</sub>	<sup>5</sup> / <sub>2</sub>	<sup>5</sup> / <sub>2</sub>	<sup>6</sup> / <sub>2</sub>	<sup>6</sup> / <sub>4</sub>	<sup>6</sup> / <sub>4</sub>	<sup>7</sup> / <sub>4</sub>	<sup>8</sup> / <sub>16</sub>	<sup>8</sup> / <sub>16</sub>
<b>CW</b>	<sup>19</sup> / <sub>64</sub>	<sup>1</sup> / <sub>2</sub>	<sup>1</sup> / <sub>2</sub>	<sup>5</sup> / <sub>8</sub>	<sup>5</sup> / <sub>8</sub>	<sup>3</sup> / <sub>4</sub>	<sup>3</sup> / <sub>4</sub>	<sup>3</sup> / <sub>4</sub>	1	1	<sup>1</sup> / <sub>4</sub>	<sup>1</sup> / <sub>4</sub>	<sup>1</sup> / <sub>4</sub>	<sup>1</sup> / <sub>2</sub>	<sup>1</sup> / <sub>2</sub>	<sup>1</sup> / <sub>2</sub>	2	<sup>2</sup> / <sub>4</sub>	<sup>2</sup> / <sub>4</sub>
<b>ER</b>	<sup>19</sup> / <sub>64</sub>	<sup>1</sup> / <sub>2</sub>	<sup>1</sup> / <sub>2</sub>	<sup>3</sup> / <sub>4</sub>	<sup>3</sup> / <sub>4</sub>	1	1	1	<sup>1</sup> / <sub>8</sub>	<sup>1</sup> / <sub>8</sub>	<sup>1</sup> / <sub>4</sub>	2	2	<sup>2</sup> / <sub>2</sub>	<sup>2</sup> / <sub>4</sub>	<sup>2</sup> / <sub>4</sub>	<sup>3</sup> / <sub>2</sub>	4	4
<b>KK</b>	<sup>5</sup> / <sub>16</sub> -24	<sup>7</sup> / <sub>16</sub> -20	<sup>1</sup> / <sub>2</sub> -20	<sup>3</sup> / <sub>4</sub> -16	<sup>3</sup> / <sub>4</sub> -16	<sup>7</sup> / <sub>8</sub> -14	1-14	1-14	<sup>1</sup> / <sub>4</sub> -12	<sup>1</sup> / <sub>4</sub> -12	<sup>1</sup> / <sub>2</sub> -12	<sup>1</sup> / <sub>4</sub> -12	<sup>1</sup> / <sub>8</sub> -12	<sup>2</sup> / <sub>4</sub> -12	<sup>2</sup> / <sub>4</sub> -12	<sup>2</sup> / <sub>4</sub> -12	<sup>3</sup> / <sub>4</sub> -12	<sup>3</sup> / <sub>2</sub> -12	4-12
Load Capacity Lbs.⊖	2600	4250	4900	11200	11200	18800	19500	19500	33500	33500	45600	65600	65600	98200	98200	98200	156700	193200	221200

	Rod Eye Part Number																	
	74075	69089	69090	69091	69092	69093	69094	69095	69096	69097	69098	69099	69100	73536	73437	73438	73439	
<b>A</b>	<sup>3</sup> / <sub>4</sub>	<sup>3</sup> / <sub>4</sub>	<sup>3</sup> / <sub>4</sub>	<sup>1</sup> / <sub>8</sub>	<sup>1</sup> / <sub>8</sub>	<sup>5</sup> / <sub>8</sub>	2	<sup>2</sup> / <sub>4</sub>	<sup>2</sup> / <sub>4</sub>	3	<sup>3</sup> / <sub>2</sub>	<sup>3</sup> / <sub>2</sub>	<sup>3</sup> / <sub>2</sub>	<sup>5</sup> / <sub>8</sub>	<sup>4</sup> / <sub>2</sub>	5	<sup>5</sup> / <sub>2</sub>	<sup>5</sup> / <sub>2</sub>
<b>CA</b>	<sup>1</sup> / <sub>2</sub>	<sup>1</sup> / <sub>2</sub>	<sup>1</sup> / <sub>2</sub>	<sup>2</sup> / <sub>16</sub>	<sup>2</sup> / <sub>8</sub>	<sup>2</sup> / <sub>16</sub>	<sup>3</sup> / <sub>16</sub>	4	<sup>4</sup> / <sub>8</sub>	5	<sup>5</sup> / <sub>16</sub>	<sup>6</sup> / <sub>8</sub>	<sup>6</sup> / <sub>2</sub>	<sup>7</sup> / <sub>8</sub>	<sup>7</sup> / <sub>8</sub>	<sup>9</sup> / <sub>8</sub>	<sup>9</sup> / <sub>8</sub>	
<b>CB</b>	<sup>7</sup> / <sub>16</sub>	<sup>3</sup> / <sub>4</sub>	<sup>3</sup> / <sub>4</sub>	<sup>1</sup> / <sub>4</sub>	<sup>1</sup> / <sub>2</sub>	<sup>1</sup> / <sub>2</sub>	2	<sup>2</sup> / <sub>2</sub>	<sup>2</sup> / <sub>2</sub>	<sup>2</sup> / <sub>2</sub>	3	3	<sup>3</sup> / <sub>2</sub>	4	4	<sup>4</sup> / <sub>2</sub>	5	
<b>CD</b>	<sup>7</sup> / <sub>16</sub>	<sup>1</sup> / <sub>2</sub>	<sup>1</sup> / <sub>2</sub>	<sup>3</sup> / <sub>4</sub>	1	1	<sup>1</sup> / <sub>8</sub>	<sup>1</sup> / <sub>4</sub>	2	2	<sup>2</sup> / <sub>2</sub>	3	3	<sup>3</sup> / <sub>2</sub>	<sup>3</sup> / <sub>2</sub>	4	4	
<b>ER</b>	<sup>19</sup> / <sub>32</sub>	<sup>23</sup> / <sub>32</sub>	<sup>23</sup> / <sub>32</sub>	<sup>1</sup> / <sub>16</sub>	<sup>1</sup> / <sub>16</sub>	<sup>1</sup> / <sub>16</sub>	<sup>1</sup> / <sub>32</sub>	<sup>2</sup> / <sub>2</sub>	<sup>2</sup> / <sub>27</sub>	<sup>2</sup> / <sub>32</sub>	<sup>3</sup> / <sub>16</sub>	<sup>4</sup> / <sub>4</sub>	<sup>4</sup> / <sub>4</sub>	<sup>4</sup> / <sub>32</sub>	<sup>4</sup> / <sub>32</sub>	<sup>5</sup> / <sub>16</sub>	<sup>5</sup> / <sub>16</sub>	
<b>KK</b>	<sup>5</sup> / <sub>16</sub> -24	<sup>7</sup> / <sub>16</sub> -20	<sup>1</sup> / <sub>2</sub> -20	<sup>3</sup> / <sub>4</sub> -16	<sup>7</sup> / <sub>8</sub> -14	1-14	<sup>1</sup> / <sub>4</sub> -12	<sup>1</sup> / <sub>2</sub> -12	<sup>1</sup> / <sub>4</sub> -12	<sup>1</sup> / <sub>8</sub> -12	<sup>2</sup> / <sub>4</sub> -12	<sup>2</sup> / <sub>4</sub> -12	<sup>2</sup> / <sub>4</sub> -12	<sup>3</sup> / <sub>4</sub> -12	<sup>3</sup> / <sub>2</sub> -12	4-12	<sup>4</sup> / <sub>2</sub> -12	
Load Capacity Lbs.⊖	3300	5000	5700	12100	13000	21700	33500	45000	53500	75000	98700	110000	123300	161300	217300	273800	308500	

	Clevis Bracket Part Number													
	74076	69205	69206	69207	69208	69209	69210	69211	69212	69213	73542	73543	73544	
<b>CB</b>	<sup>15</sup> / <sub>32</sub>	<sup>3</sup> / <sub>4</sub>	<sup>1</sup> / <sub>4</sub>	<sup>1</sup> / <sub>2</sub>	2	<sup>2</sup> / <sub>2</sub>	<sup>2</sup> / <sub>2</sub>	3	3	<sup>3</sup> / <sub>2</sub>	4	<sup>4</sup> / <sub>2</sub>	5	
<b>CD</b>	<sup>7</sup> / <sub>16</sub>	<sup>1</sup> / <sub>2</sub>	<sup>3</sup> / <sub>4</sub>	1	<sup>1</sup> / <sub>8</sub>	<sup>1</sup> / <sub>4</sub>	2	<sup>2</sup> / <sub>2</sub>	3	3	<sup>3</sup> / <sub>2</sub>	4	4	
<b>CW</b>	<sup>3</sup> / <sub>8</sub>	<sup>1</sup> / <sub>2</sub>	<sup>5</sup> / <sub>8</sub>	<sup>3</sup> / <sub>4</sub>	1	<sup>1</sup> / <sub>4</sub>	<sup>1</sup> / <sub>2</sub>	<sup>1</sup> / <sub>2</sub>	<sup>1</sup> / <sub>2</sub>	<sup>1</sup> / <sub>2</sub>	2	2	2	
<b>DD</b>	<sup>17</sup> / <sub>64</sub>	<sup>13</sup> / <sub>32</sub>	<sup>17</sup> / <sub>32</sub>	<sup>2</sup> / <sub>32</sub>	<sup>2</sup> / <sub>32</sub>	<sup>29</sup> / <sub>32</sub>	<sup>1</sup> / <sub>16</sub>	<sup>1</sup> / <sub>16</sub>	<sup>1</sup> / <sub>16</sub>	<sup>1</sup> / <sub>16</sub>	<sup>1</sup> / <sub>16</sub>	<sup>1</sup> / <sub>16</sub>	<sup>2</sup> / <sub>16</sub>	
<b>E</b>	<sup>2</sup> / <sub>4</sub>	<sup>3</sup> / <sub>2</sub>	5	<sup>6</sup> / <sub>2</sub>	<sup>7</sup> / <sub>2</sub>	<sup>9</sup> / <sub>2</sub>	<sup>12</sup> / <sub>4</sub>	<sup>12</sup> / <sub>4</sub>	<sup>12</sup> / <sub>4</sub>	<sup>12</sup> / <sub>4</sub>	<sup>15</sup> / <sub>2</sub>	<sup>17</sup> / <sub>2</sub>	<sup>17</sup> / <sub>2</sub>	
<b>F</b>	<sup>3</sup> / <sub>8</sub>	<sup>1</sup> / <sub>2</sub>	<sup>5</sup> / <sub>8</sub>	<sup>3</sup> / <sub>4</sub>	<sup>7</sup> / <sub>8</sub>	<sup>7</sup> / <sub>8</sub>	1	1	1	1	<sup>1</sup> / <sub>16</sub>	<sup>1</sup> / <sub>16</sub>	<sup>1</sup> / <sub>16</sub>	
<b>FL</b>	1	<sup>1</sup> / <sub>2</sub>	<sup>1</sup> / <sub>8</sub>	<sup>2</sup> / <sub>4</sub>	3	<sup>3</sup> / <sub>8</sub>	<sup>4</sup> / <sub>4</sub>	<sup>4</sup> / <sub>2</sub>	6	6	<sup>6</sup> / <sub>16</sub>	<sup>7</sup> / <sub>16</sub>	<sup>7</sup> / <sub>16</sub>	
<b>LR</b>	<sup>5</sup> / <sub>8</sub>	<sup>3</sup> / <sub>4</sub>	<sup>1</sup> / <sub>16</sub>	<sup>1</sup> / <sub>2</sub>	2	<sup>2</sup> / <sub>4</sub>	<sup>3</sup> / <sub>16</sub>	<sup>3</sup> / <sub>2</sub>	<sup>4</sup> / <sub>4</sub>	<sup>4</sup> / <sub>4</sub>	5	<sup>5</sup> / <sub>4</sub>	<sup>5</sup> / <sub>4</sub>	
<b>M</b>	<sup>3</sup> / <sub>8</sub>	<sup>1</sup> / <sub>2</sub>	<sup>3</sup> / <sub>4</sub>	1	<sup>1</sup> / <sub>8</sub>	<sup>1</sup> / <sub>4</sub>	<sup>2</sup> / <sub>4</sub>	<sup>2</sup> / <sub>2</sub>	3	3	<sup>3</sup> / <sub>2</sub>	4	4	
<b>MR</b>	<sup>1</sup> / <sub>2</sub>	<sup>5</sup> / <sub>8</sub>	<sup>29</sup> / <sub>32</sub>	<sup>1</sup> / <sub>4</sub>	<sup>1</sup> / <sub>32</sub>	<sup>2</sup> / <sub>32</sub>	<sup>2</sup> / <sub>32</sub>	<sup>3</sup> / <sub>8</sub>	<sup>3</sup> / <sub>32</sub>	<sup>3</sup> / <sub>32</sub>	<sup>4</sup> / <sub>8</sub>	<sup>4</sup> / <sub>8</sub>	<sup>4</sup> / <sub>8</sub>	
<b>R</b>	1.75	2.55	3.82	4.95	5.73	7.50	9.40	9.40	9.40	9.40	12.00	13.75	13.75	
Load Capacity Lbs.⊖	3600	7300	14000	19200	36900	34000	33000	34900	33800	36900	83500	102600	108400	

	Eye Bracket Part Number											
	74077	69195	69196	85361*	69198	85362*	85363*	85364*	85365*	73538	73539	
<b>CB</b>	<sup>5</sup> / <sub>16</sub>	<sup>3</sup> / <sub>4</sub>	<sup>1</sup> / <sub>4</sub>	<sup>1</sup> / <sub>2</sub>	2	<sup>2</sup> / <sub>2</sub>	<sup>2</sup> / <sub>2</sub>	3	3	4	<sup>4</sup> / <sub>2</sub>	
<b>CD</b>	<sup>5</sup> / <sub>16</sub>	<sup>1</sup> / <sub>2</sub>	<sup>3</sup> / <sub>4</sub>	1	<sup>1</sup> / <sub>8</sub>	<sup>1</sup> / <sub>4</sub>	2	<sup>2</sup> / <sub>2</sub>	3	<sup>3</sup> / <sub>2</sub>	4	
<b>DD</b>	<sup>17</sup> / <sub>64</sub>	<sup>13</sup> / <sub>32</sub>	<sup>17</sup> / <sub>32</sub>	<sup>2</sup> / <sub>32</sub>	<sup>2</sup> / <sub>32</sub>	<sup>29</sup> / <sub>32</sub>	<sup>1</sup> / <sub>16</sub>	<sup>1</sup> / <sub>16</sub>	<sup>1</sup> / <sub>16</sub>	<sup>1</sup> / <sub>16</sub>	<sup>2</sup> / <sub>16</sub>	
<b>E</b>	<sup>2</sup> / <sub>4</sub>	<sup>2</sup> / <sub>2</sub>	<sup>3</sup> / <sub>2</sub>	<sup>4</sup> / <sub>2</sub>	5	<sup>6</sup> / <sub>2</sub>	<sup>7</sup> / <sub>2</sub>	<sup>8</sup> / <sub>2</sub>	<sup>9</sup> / <sub>2</sub>	<sup>12</sup> / <sub>8</sub>	<sup>14</sup> / <sub>8</sub>	
<b>F</b>	<sup>3</sup> / <sub>8</sub>	<sup>3</sup> / <sub>8</sub>	<sup>5</sup> / <sub>8</sub>	<sup>7</sup> / <sub>8</sub>	<sup>7</sup> / <sub>8</sub>	<sup>1</sup> / <sub>8</sub>	<sup>1</sup> / <sub>2</sub>	<sup>1</sup> / <sub>4</sub>	2	<sup>1</sup> / <sub>16</sub>	<sup>1</sup> / <sub>16</sub>	
<b>FL</b>	1	<sup>1</sup> / <sub>8</sub>	<sup>1</sup> / <sub>8</sub>	<sup>2</sup> / <sub>8</sub>	3	<sup>3</sup> / <sub>8</sub>	4	<sup>4</sup> / <sub>4</sub>	<sup>5</sup> / <sub>4</sub>	<sup>5</sup> / <sub>16</sub>	<sup>6</sup> / <sub>16</sub>	
<b>LR</b>	<sup>5</sup> / <sub>8</sub>	<sup>3</sup> / <sub>4</sub>	<sup>1</sup> / <sub>4</sub>	<sup>1</sup> / <sub>2</sub>	<sup>2</sup> / <sub>8</sub>	<sup>2</sup> / <sub>4</sub>	<sup>2</sup> / <sub>2</sub>	3	<sup>3</sup> / <sub>4</sub>	4	<sup>4</sup> / <sub>2</sub>	
<b>M</b>	<sup>3</sup> / <sub>8</sub>	<sup>1</sup> / <sub>2</sub>	<sup>3</sup> / <sub>4</sub>	1	<sup>1</sup> / <sub>8</sub>	<sup>1</sup> / <sub>4</sub>	2	<sup>2</sup> / <sub>2</sub>	<sup>2</sup> / <sub>4</sub>	<sup>3</sup> / <sub>2</sub>	4	
<b>MR</b>	<sup>1</sup> / <sub>2</sub>	<sup>9</sup> / <sub>16</sub>	<sup>7</sup> / <sub>8</sub>	<sup>1</sup> / <sub>4</sub>	<sup>1</sup> / <sub>8</sub>	<sup>2</sup> / <sub>8</sub>	<sup>2</sup> / <sub>16</sub>	3	<sup>3</sup> / <sub>4</sub>	<sup>4</sup> / <sub>8</sub>	<sup>5</sup> / <sub>4</sub>	
<b>R</b>	1.75	1.63	2.55	3.25	3.82	4.95	5.73	6.58	7.50	9.62	11.45	
Load Capacity Lbs.⊖	1700	4100	10500	20400	21200	49480	70000	94200	121900	57400	75000	

	Pivot Pin Part Number													
	74078	68368	68369	68370	68371	68372	68373	69215	68374	68375	69216	73545	82181	73547*
<b>CD</b>	<sup>7</sup> / <sub>16</sub>	<sup>1</sup> / <sub>2</sub>	<sup>3</sup> / <sub>4</sub>	1	<sup>1</sup> / <sub>8</sub>	<sup>1</sup> / <sub>4</sub>	2	2	<sup>2</sup> / <sub>2</sub>	3	3	<sup>3</sup> / <sub>2</sub>	4	4
<b>CL</b>	<sup>1</sup> / <sub>16</sub>	<sup>1</sup> / <sub>8</sub>	<sup>2</sup> / <sub>8</sub>	<sup>3</sup> / <sub>8</sub>	<sup>4</sup> / <sub>8</sub>	<sup>5</sup> / <sub>16</sub>	<sup>5</sup> / <sub>16</sub>	<sup>5</sup> / <sub>16</sub>	<sup>6</sup> / <sub>16</sub>	<sup>6</sup> / <sub>4</sub>	<sup>6</sup> / <sub>4</sub>	<sup>8</sup> / <sub>4</sub>	<sup>8</sup> / <sub>8</sub>	9
Shear Capacity Lbs.⊖	6600	8600	19300	34300	65000	105200	137400	137400	214700	309200	309200	420900	565800	565800

\*Cylinder accessory dimensions conform to NFPA recommended standard NFPA/T3.6.8 R1-1984, NFPA recommended standard fluid power systems — cylinder — dimensions for accessories for cataloged square head industrial types.

⊖ See Accessory Load Capacity note on opposite page.

• This size supplied with cotter pins.

† Includes Pivot Pin.

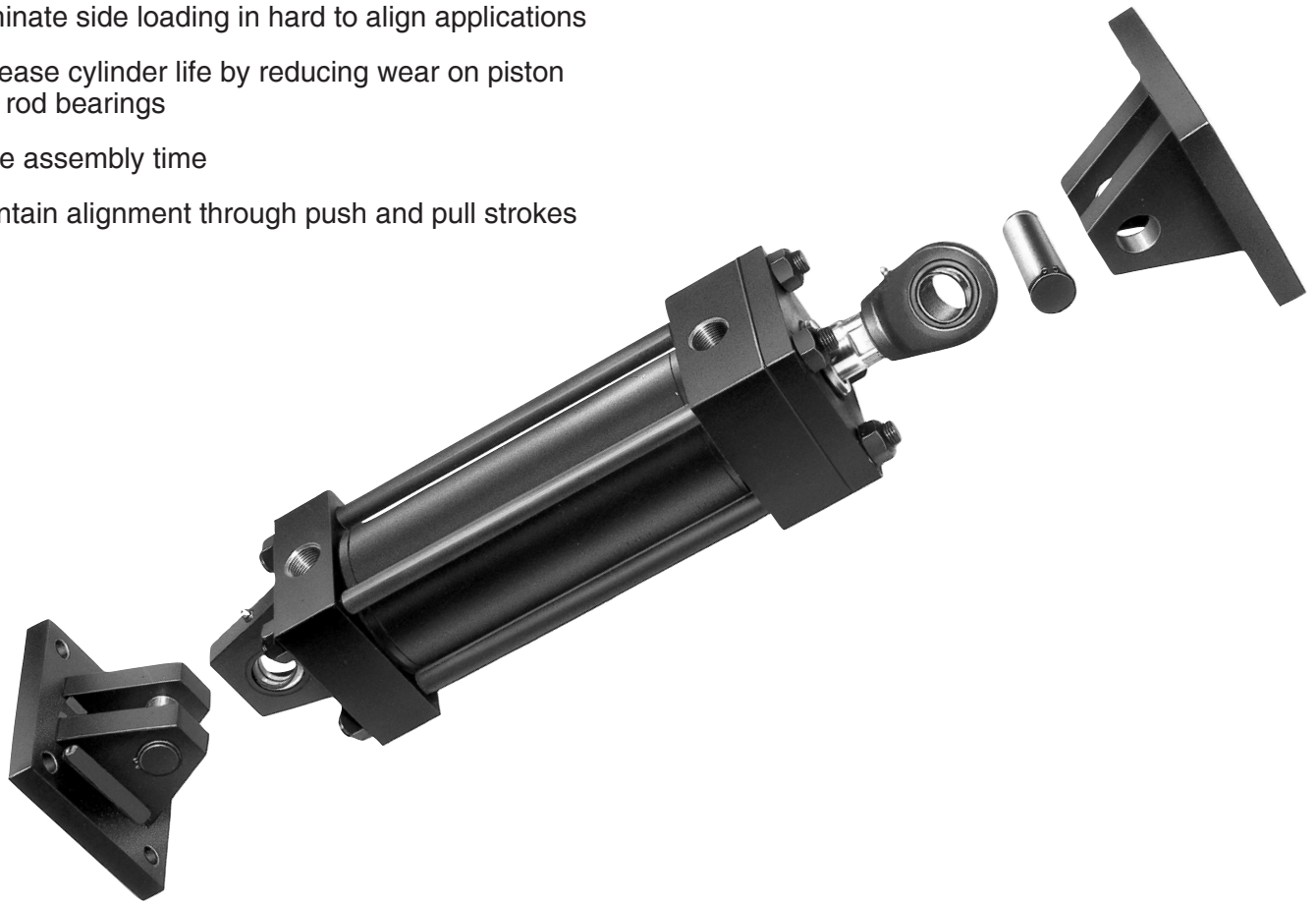
# Miller JV Series Medium-Duty Hydraulic Cylinders

Spherical Bearing Mount  
1½" to 8" Bore Sizes

## Spherical Bearings For JV Series Cylinders Spherical Bearing Mount That Maintains Alignment Through Push and Pull Strokes.

### Benefits Are...

- Simplify installation of cylinder
- Reduce cylinder friction
- Eliminate side loading in hard to align applications
- Increase cylinder life by reducing wear on piston and rod bearings
- Save assembly time
- Maintain alignment through push and pull strokes
- Increase rod bearing and rod seal life
- Simplify machine design problems



JV Series hydraulic cylinders are available with spherical bearing mounts at both ends or head and cap end only. The bearing at the cap end is housed in a single stud ear welded to the cap to form an integral structure. At the head end the bearing is mounted in a steel rod eye threaded to the piston rod. Grease fittings are provided for lubrication.

The spherical bearing mount provides swivel connections at both ends of the cylinder to reduce

misalignment problems and to maintain alignment through push and pull strokes.

The bearing races are designed primarily for radial loads and moderate misalignment not to exceed angle "a" as shown in Table 1 on the next page.

The accessories, rod eye, pivot pin and clevis brackets are all designed to take maximum loading of the cylinder.

# Miller JV Series Medium-Duty Hydraulic Cylinders

Spherical Bearing Mount  
Application and Design Data  
Mounting Information

## Application and Design Data

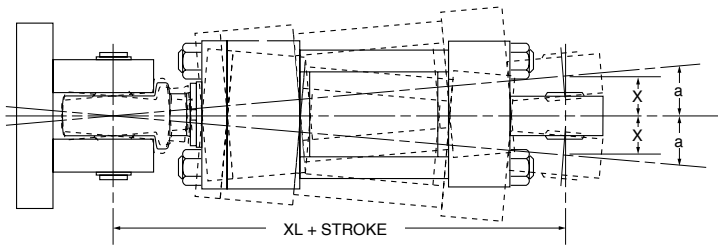
The spherical bearing life is influenced by many factors, i.e., bearing pressure, load direction oscillating angle and lubrication. The maximum operating pressure ratings of the spherical bearing mountings are based on standard commercial bearing ratings. The 4:1 design factor rating is based on the tensile strength of the material.

The spherical bearings are dimensioned to ensure a satisfactory bearing life under normal operating conditions. The bearing races are made of through-hardened steel and are precision ground. They are phosphate treated and coated with dry film lubricant to minimize friction of contacting surfaces. In the case of a permanent unidirectional load to the bearing, or other unusual operating conditions, the use of a larger bearing may be required.

For longer bearing life, regular lubrication will protect the spherical plain bearing from premature wear and corrosion. Rust-inhibiting EP greases of lithium/lead base, preferably with molybdenum disulphide additives are particularly suited. The radial bearings have lubricating holes and grooves in the races permitting lubrication. The bearing housings at the cap and rod end are provided with grease fittings for lubrication.

Maximum angle of swivel in relation to the center line of the pivot pin is shown as angle **a** in the table below. It is recommended that this angle is not exceeded when mounting the cylinder.

## Mounting Information Head End Mounting



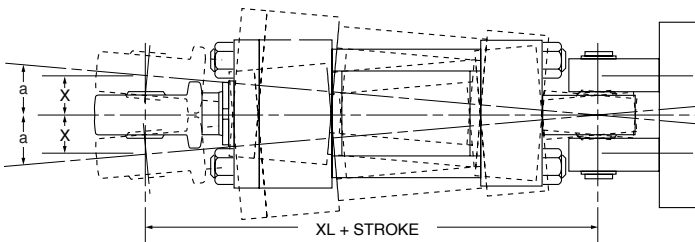
Recommended maximum swivel angle on each side of the cylinder centerline.

Table 1

Bore	Head End Mounted		Cap End Mounted	
	Angle a	Tan. of a	Angle a	Tan. of a
1½	2°	.035	2°	.035
2	2½°	.044	4½°	.079
2½	2½°	.044	4½°	.079
3¼	3°	.052	3°	.052
4	2½°	.044	3°	.052
5 - 8	3°	.052	3°	.052

Note: Dimension X is the maximum off center mounting of the cylinder. To determine dimension X for various stroke lengths multiply distance between pivot pin holes by tangent of angle **a**. For extended position use  $X = XL + 2X$  stroke.

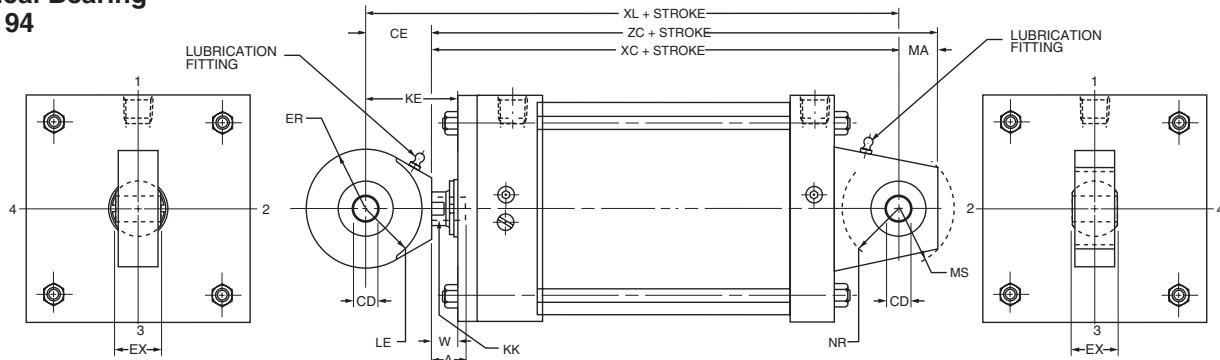
## Cap End Mounting



# Miller JV Series Medium-Duty Hydraulic Cylinders

Spherical Bearing Mount  
1½" to 8" Bore Sizes

## Cap Fixed Eye Mount with Spherical Bearing Model 94



Bore	Rod Dia. MM	** Thread Style 4 KK	A	W	Add Stroke				CD*	CE	ER	EX	LE	MA	MS	NR	Max. Oper. PSI†
					XC	XL	ZC	KE									
1½	5/8	7/16-20	3/4	5/8	5³/₈	6¼	6½	1½	-.0005	7/8	13/16	7/16	¾	¾	15/16	5/8	1500
	1	¾-16	1½	1	5¾	65/8	6½	17/8	.5000								
2	5/8	7/16-20	¾	5/8	5³/₈	6¼	6½	1½	-.0005	7/8	13/16	7/16	¾	¾	15/16	5/8	980
	1¾	1-14	15/8	1¼	6	67/8	6¾	2½	.5000								
2½	5/8	7/16-20	¾	5/8	5½	6³/₈	6¼	1½	-.0005	7/8	13/16	7/16	¾	¾	15/16	5/8	630
	1¾	1¼-12	2	1½	6³/₈	7¼	7½	2³/₈	.5000								
	1	¾-16	1½	1	57/8	6¾	65/8	17/8									
¾	1	¾-16	1½	¾	67/8	8½	77/8	2	-.0005	1¼	1½	21/32	1½	1	13/8	1	830
	2	1½-12	2¼	1¾	7½	8¾	8½	25/8	.7500								
	1¾	1-14	15/8	1	7½	83/8	8½	2¼									
4	1	¾-16	1½	¾	67/8	8½	77/8	2	-.0005	1¼	1½	21/32	1½	1	13/8	1	550
	2½	17/8-12	3	15/8	7¾	9	8¾	27/8	.7500								
	1¾	1-14	15/8	1	7½	83/8	8½	2¼									
	1¾	1¼-12	2	1¼	73/8	83/8	83/8	2½									
5	2	1½-12	2¼	1¾	7½	8¾	8½	25/8	-.0005	1¼	1½	21/32	1½	1	13/8	1	350
	2½	17/8-12	3	15/8	8	9¼	9	27/8	.7500								
	3	2¼-12	3½	15/8	8	9¼	9	27/8									
	1¾	1¼-12	2	1¼	75/8	87/8	85/8	2½									
	1¾	1-14	15/8	1	73/8	85/8	83/8	2¼									
	3½	2½-12	3½	15/8	8	9¼	9	27/8									
6	1¾	1-14	15/8	7/8	8½	10	93/8	2¾	-.0005	17/8	1¼	7/8	17/16	1¼	11/16	1¼	440
	4	3-12	4	1½	8¾	105/8	10	33/8	1.0000								
	1¾	1¼-12	2	1½	83/8	10¼	95/8	3									
	2	1½-12	2¼	1¼	8½	103/8	9¾	3½									
	2½	17/8-12	3	1½	8¾	105/8	10	33/8									
	3	2¼-12	3½	1½	8¾	105/8	10	33/8									

Maximum operating pressure at 4:1 design factor is based on tensile strength of material. Pressure ratings are based on standard commercial bearing ratings.

\* Dimension CD is hole diameter.

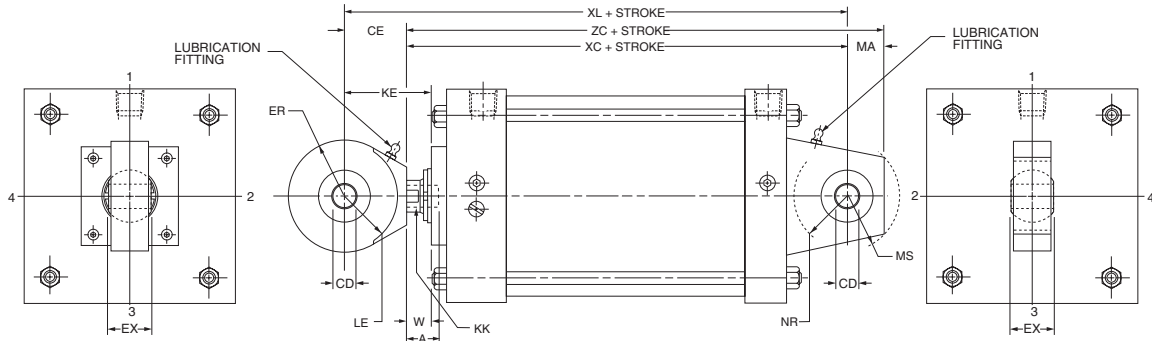
\*\* To match pin diameter in rod eye and cap, when an oversize rod is required, specify rod end style 'X', 'KK' thread and 'A' thread length for the standard rod diameter (first rod listed for the bore), and 'W' for the oversize rod. Order the rod eye and clevis bracket for the required bore size from the tables on the Spherical Bearings Accessory page.

† Maximum operating pressure at 4:1 design factor is based on tensile strength of material.

# Miller JV Series Medium-Duty Hydraulic Cylinders

Spherical Bearing Mount  
1½" to 8" Bore Sizes

## Cap Fixed Eye Mount with Spherical Bearing Model 94



Bore	Rod Dia. MM	** Thread Style 4 KK	A	W	Add Stroke			KE	CD*	CE	ER	EX	LE	MA	MS	NR	Max. Oper. PSI†
					XC	XL	ZC										
8	1 3/8	1-14	1 5/8	7/8	8 1/4	10 1/8	9 1/2	2 3/4	-0.0005 1.0000	1 7/8	1 1/4	7/8	1 7/16	1 1/4	1 11/16	1 1/4	250
	5 1/2	4-12	5 1/2	1 1/2	8 7/8	10 3/4	10 1/8	3 3/8									
	1 3/4	1 1/4-12	2	1 1/8	8 1/2	10 3/8	9 3/4	3									
	2	1 1/2-12	2 1/4	1 1/4	8 5/8	10 1/2	9 7/8	3 1/8									
	2 1/2	1 7/8-12	3	1 1/2	8 7/8	10 3/4	10 1/8	3 3/8									
	3	2 1/4-12	3 1/2	1 1/2	8 7/8	10 3/4	10 1/8	3 3/8									
	3 1/2	2 1/2-12	3 1/2	1 1/2	8 7/8	10 3/4	10 1/8	3 3/8									
	4	3-12	4	1 1/2	8 7/8	10 3/4	10 1/8	3 3/8									
4 1/2	3 1/4-12	4 1/2	1 1/2	8 7/8	10 3/4	10 1/8	3 3/8										
5	3 1/2-12	5	1 1/2	8 7/8	10 3/4	10 1/8	3 3/8										

Maximum operating pressure at 4:1 design factor is based on tensile strength of material. Pressure ratings are based on standard commercial bearing ratings.

\* Dimension CD is hole diameter.

\*\* To match pin diameter in rod eye and cap, when an oversize rod is required, specify rod end style 'X', 'KK' thread and 'A' thread length for the standard rod diameter (first rod listed for the bore), and 'W' for the oversize rod. Order the rod eye and clevis bracket for the required bore size from the tables on the Spherical Bearings Accessory page.

† Maximum operating pressure at 4:1 design factor is based on tensile strength of material.

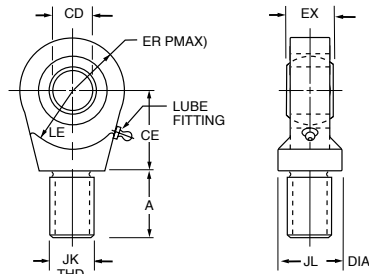
# Miller JV Series Medium-Duty Hydraulic Cylinders

Spherical Bearing Mount  
Cylinder Accessories

Miller offers a complete range of Cylinder Accessories to assure you of the greatest versatility in present or future cylinder applications. Accessories offered for the

respective cylinder include the Rod Eye, Pivot Pin and Clevis Bracket. To select the proper part number for any desired accessory refer to the charts below.

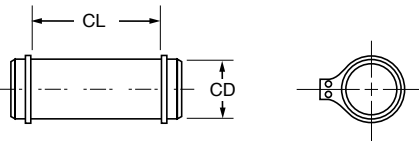
## Spherical Rod Eye



Order to fit Piston Rod Thread Size.

Bore Sizes	1 1/2, 2 & 2 1/2	3 1/4, 4 & 5	6 & 8
Part No.	132290	132291	132292
CD	.5000 <sup>-0005</sup>	.7500 <sup>-0005</sup>	1.0000 <sup>-0005</sup>
A	1 1/16	1	1 1/2
CE	7/8	1 1/4	1 7/8
EX	7/16	2 1/32	7/8
ER	7/8	1 1/4	1 3/8
LE	3/4	1 1/16	1 7/16
JK	7/16-20	3/4-16	1-14
JL	7/8	1 5/16	1 1/2
LOAD CAPACITY LBS.	2644	9441	16860

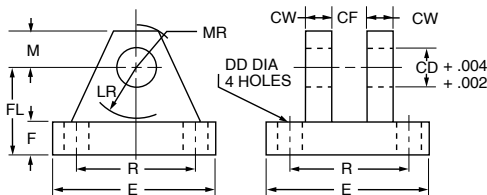
## Pivot Pin



Pivot Pins are furnished with (2) Retainer Rings.

Bore Sizes	1 1/2, 2 & 2 1/2	3 1/4, 4 & 5	6 & 8
Part No.	83962	83963	83964
CD	.4997 <sup>-0004</sup>	.7497 <sup>-0005</sup>	.9997 <sup>-0005</sup>
CL	1 9/16	2 1/32	2 1/2
LOAD CAPACITY LBS.	8600	19300	34300

## Clevis Bracket



Order to fit Cap or Rod Eye.

Bore Sizes	1 1/2, 2 & 2 1/2	3 1/4, 4 & 5	6 & 8
Part No.	83947	83948	83949
CD	1/2	3/4	1
CF	7/16	2 1/32	7/8
CW	1/2	5/8	3/4
DD	13/32	13/32	17/32
E	3	3 3/4	5 1/2
F	1/2	5/8	3/4
FL	1 1/2	2	2 1/2
LR	15/16	1 3/8	1 11/16
M	1/2	7/8	1
MR	5/8	1	1 3/16
R	2.05	2.76	4.10
LOAD CAPACITY LBS.	5770	9450	14300



# Miller JV Series Medium-Duty Hydraulic Cylinders

---

Notes

## NOTES

# Miller JV Series Medium-Duty Hydraulic Cylinders

Push and Pull Forces

## Theoretical Push and Pull Forces Push Force and Displacement

Cyl. Bore Size (Inches)	Piston Area (Sq. In.)	Cylinder Push Stroke Force In Pounds At Various Pressures										Displacement Per Inch Of Stroke (Gallons)
		25	50	65	80	100	250	500	1000	2000	3000	
1	.785	20	39	51	65	79	196	392	785	1570	2355	.0034
1½	1.767	44	88	115	142	177	443	885	1770	3540	5310	.00765
2	3.14	79	157	204	251	314	785	1570	3140	6280	9420	.0136
2½	4.91	123	245	319	393	491	1228	2455	4910	9820	14730	.0213
3¼	8.30	208	415	540	664	830	2075	4150	8300	16600	24900	.0359
4	12.57	314	628	817	1006	1257	3143	6285	12570	25140	37710	.0544
5	19.64	491	982	1277	1571	1964	4910	9820	19640	39280	58920	.0850
6	28.27	707	1414	1838	2262	2827	7068	14135	28270	56540	84810	.1224
7	38.49	962	1924	2502	3079	3849	9623	19245	38490	76980	115470	.1666
8	50.27	1257	2513	3268	4022	5027	12568	25135	50270	100540	150810	.2176

## Deductions for Pull Force and Displacement

Piston Rod Dia. (Inches)	Piston Area (Sq. In.)	Piston Rod Diameter Force In Pounds At Various Pressures										Displacement Per Inch Of Stroke (Gallons)
		To determine Cylinder Pull Force or Displacement, deduct the following Force or Displacement corresponding to Rod Size, from selected Push Stroke Force or Displacement corresponding to Bore Size in table above.										
		25	50	65	80	100	250	500	1000	2000	3000	
½	.196	5	10	13	16	20	49	98	196	392	588	.0009
⅝	.307	8	15	20	25	31	77	154	307	614	921	.0013
1	.785	20	39	51	65	79	196	392	785	1570	2355	.0034
1⅜	1.49	37	75	97	119	149	373	745	1490	2980	4470	.0065
1¾	2.41	60	121	157	193	241	603	1205	2410	4820	7230	.0104
2	3.14	79	157	204	251	314	785	1570	3140	6280	9420	.0136
2½	4.91	123	245	319	393	491	1228	2455	4910	9820	14730	.0213
3	7.07	177	354	460	566	707	1767	3535	7070	14140	21210	.0306
3½	9.62	241	481	625	770	962	2405	4810	9620	19240	28860	.0416
4	12.57	314	628	817	1006	1257	3143	6285	12570	25140	37710	.0544
4½	15.90	398	795	1033	1272	1590	3975	7950	15900	31800	47708	.0688
5	19.64	491	982	1277	1571	1964	4910	9820	19640	39280	58920	.0850
5½	23.76	594	1188	1544	1901	2376	5940	11880	23760	47520	71280	.1028

## General Formula

The cylinder output forces are derived from the formula:

$$F = P \times A$$

Where F = Force in pounds.

P = Pressure at the cylinder in pounds per square inch, gauge.

A = Effective area of cylinder piston in square inches.

# Miller JV Series Medium-Duty Hydraulic Cylinders

Operating Fluids  
and Temperature Range  
Water Service/Warranty

## Operating Fluids and Temperature Range

Fluidpower cylinders are designed for use with pressurized air, hydraulic oil and fire resistant fluids, in some cases special seals are required.

### Class 1 Seals

Class 1 seals are the standard seals provided in a cylinder assembly. They are intended for use with fluids such as: air, nitrogen, mineral base hydraulic oil or MIL-H-5606 within the temperature range of -10°F (-23°C) to +165°F (+74°C). The individual seals may be nitrile (Buna-N), enhanced polyurethane, polymyte, PTFE or filled PTFE.

### Class 2 (Nitrile) Seals

Class 2 seals are intended for use with water base fluids within the temperature of -10°F (-23°C) to +165°F (+74°C) except for High Water Content Fluids (HWCF) in which case Class 6 seals should be used. Typical water base fluids compatible with Class 2 seals are: Water, Water-Glycol, Water-in Emulsion, Houghto-Safe 27, 620 5040, Mobil Pyrogard D, Shell Iru 905, Ucon Hydrolube J-4. Class 2 seals are nitrile. Lipseal will have polymyte or PTFE back-up washer when required. O-rings will have nitrile back-up washers when required.

### Class 3 Seals — Ethylene Propylene (E.P.R.) Seals

Class 3 seals are intended for use with some Phosphate Ester Fluids between the temperatures of -10°F (-23°C) to +130°F (+54°C). Typical fluids compatible with Class 3 seals are Skydrol 500 and 700. Class 3 seals are Ethylene Propylene. Lipseals will have a PTFE back-up washer when required. O-rings will have EPDM back-up washers when required. **Note:** Class 3 seals are not compatible with mineral base hydraulic oil or greases. Even limited exposure to these fluids will cause severe swelling. PTFE back-up washer may not be suitable when used in a radiation environment.

### Class 4 Seals — Nitrile Seals

Class 4 seals are intended for low temperature service with the same type of fluids as used with Class 1 seals within the temperature range of -50°F (-46°C) to +150°F (+66°C). Class 4 seals are nitrile seals. Lipseals will have leather, polymyte or PTFE back-up washers when required. O-rings will have nitrile back-up washers when required.

Note: Certain fluids may react adversely with Class 4 seals compared to Class 1 seals.

### Class 5 Seals — Fluorocarbon Seals

Class 5 seals are intended for elevated temperature service or for some Phosphate Ester Fluids such as Houghto-Safe 1010, 1055, 1120; Fryquel 150, 220, 300, 350; Mobil Pyrogard 42, 43, 53, and 55. Note: In addition, Class 5 seals can be used with fluids listed below under Class 1 or Class 2 service. However, they are not compatible with Phosphate Ester Fluids such as Skydrols. Class 5 seals can operate with a temperature range of -10°F (-23°C) to +250°F (+121°C). Fluorocarbon seals may be operated to +400°F (+204°C) with limited service life. For temperatures above +250°F (-121°C) the cylinder must be manufactured with non-studded piston rod thread and a pinned piston to rod connection. Class 5 seals are fluorocarbon seals. Lipseals will have PTFE back-up washers. O-rings will have fluorocarbon back-up when required.

### Class 6 Seals

Class 6 seals are intended for High Water Content Fluids (HWCF) such as Houghton Hydrolubric 120B and Sonsol Lubrizol within the temperature range of +40°F (+4°C) to +120°F (+49°C). Class 6 seals are special nitrile compound dynamic seals. Lipseals will have PTFE and/or polymyte back-up washers when required. O-rings will have nitrile back-up washers when required. Because of the viscosity of these fluids, cylinders specified with Class 6 seals, will also be modified to have lipseal piston seals and straight cushions.

### Lipseal Pistons

Lipseals with a back-up washers are standard in JV cylinders and are often used for hydraulic applications when virtually zero static leakage is required.

Lipseals will function properly in these applications when used in conjunction with moderate hydraulic pressures.

### Warning!

The piston rod stud and the piston rod to piston threaded connections are secured with an anaerobic adhesive which is temperature sensitive. Cylinders specified with fluorocarbon seals are assembled with anaerobic adhesive having a maximum temperature rating of +250°F (+121°C). Cylinders specified with all other seal compounds are assembled with anaerobic adhesive have a maximum operating temperature rating +165°F (+74°C). These temperature limitations are necessary to prevent the possible loosening of the threaded connections. Cylinders originally manufactured with Class 1 seals (Nitrile) that will be exposed to ambient temperatures above +165°F (+74°C) must be modified for higher temperature service. Contact the factory immediately and arrange for the piston to rod and the stud to piston rod connections to be properly reassembled to withstand the higher temperature service.

### Low Friction Hydraulic Seals

Low Friction hydraulic seals are available as an option for both piston and piston rod seals for JV Series cylinders. They are sometimes used when a cylinder is controlled by servo or proportional valve. The seal assembly itself is a two piece assembly consisting of a filled PTFE dynamic seal with an elastomer expander. A piston seal assembly consists of one seal assembly in the middle of the piston with a filled PTFE wear ring on each side of the piston. The piston rod seal assembly consists of two seal assemblies and an elastomer wiper seal. The filled PTFE seals are compatible with Class 1, 2, 3, 4 & 5 fluids and provide virtually leak free sealing. The expanders and rod wiper will be nitrile unless Class 3 or 5 seals are specified. In those cases the expanders and wiper will be EPDM and fluorocarbon respectively. When specifying low friction seals specify if piston, piston rod seals or both are required. Note: It may be necessary to cycle these seals 40 or 50 times before achieving leakage free performance.

### Cast Iron Piston Rings

Cast iron rings optional piston seals for JV Series cylinders. They offer the widest operating conditions by tolerating high operating pressures, wide temperature range and are compatible with most fluids. The only drawback of cast iron rings is that they allow a small amount of leakage. The leakage for a 4" bore cylinder, operating at 2000 psi, with mineral base hydraulic fluid will be less than 10in<sup>3</sup>/min. Leakage will increase as pressure, bore size and viscosity of the operating hydraulic fluid increases. For these reasons cast iron rings are not recommended when using water or Class 6 fluids.

### Water Service

JV Series hydraulic cylinders can also be modified for water operation and supplied with chrome-plated cylinder bore; electroless nickel-plated head, cap and piston; chrome-plated precipitation hardened stainless steel piston rod, chrome-plated cushion plungers. When high water base fluids are the operating medium, hydraulic cylinders are usually supplied with high water base rod wiper and seals. Water and high water base fluid operated cylinders are best used on short stroke applications or where high pressure is applied only to clamp the load.

### Warranty

Miller will warrant cylinders modified for water or high water content fluid service to be free of defects in materials or workmanship, but cannot accept responsibility for premature failure due to excessive wear resulting from lack of lubricity or where failure is caused by corrosion, electrolysis or mineral deposits within the cylinder.

Class No.	Typical Fluids	Temperature Range
1 Standard Nitrile Polyurethane	Air, Nitrogen Hydraulic Oil, Mil-H-5606 Oil	-10°F (-23°C) to +165°F (+74°C)
2* Optional Water base fluid seal  Nitrile	Water, Water-Glycol, HWCF — See Class 6 below. Water-in-Oil Emulsion Houghto-Safe, 271, 620, 5040 Mobil Pyrogard D, Shell Iru 905 Ucon Hydrolube J-4	-10°F (-23°C) to +165°F (+74°C)
3 Special (EPR) (At extra cost)  Note: Class 3 seals are not compatible with hydraulic oil.	Some Phosphate Ester Fluids Skydrol 500, 7000	-10°F (-23°C) to +130°F (+54°C)
4 Special (Nitrile) (At extra cost)	Low Temperature Air or Hydraulic Oil	-50°F (-46°C) to +150°F (+66°C)
5 Optional (At extra cost) (Fluorocarbon Seals)	High Temperature Houghto-Safe 1010, 1055, 1120 Fryquel 150, 220, 300, 550 Mobil Pyrogard 42,43,53,55	See above paragraph on Fluorocarbon seals for recommended temperature range.
Note: Class 5 seals are not suitable for use with Skydrol fluid, but can be used with hydraulic oil if desired		
6 Optional (HWCF) (At extra cost)	Houghton, Hydrolubric 120B Sonsol Lubrizol, for other HWCF — consult factory.	+40°F (+4°C) to +120°F (+49°C)

# Miller JV Series Medium-Duty Hydraulic Cylinders

Cylinder Pressure Ratings

## Application Data

The proper application of a fluid power cylinder requires consideration of the operating pressure, the fluid medium, the mounting style, the length of stroke, the type of piston rod connection to the load, thrust or tension loading on the

rod, mounting attitude, the speed of stroke, and how the load in motion will be stopped. Information given here provides pressure rating data for pneumatic and hydraulic cylinders.

## Hydraulic Cylinders (Medium-Duty)

Pressure ratings for JV Series hydraulic cylinders vary by bore size and rod size as shown in table below. For pressures higher than those indicated, H Series or HV2 Series heavy-duty cylinders should be used.

### JV Series Hydraulic Cylinders Maximum Pressure Rating

Bore Size (Inches)	Rod Diameters (Inches)	Pressure Rating At 4:1 Design* Factor (On Tensile)
1	1/2	1900
	5/8	1900
1 1/2	5/8	2000
	1	2300
2	5/8	1100
	1	2000
	1 3/8	2000
2 1/2	5/8	700
	1	1400
	1 3/8	1400
	1 3/4	1400
3 1/4	1	1300
	1 3/8	1300
	1 3/4	1300
	2	1300
4	1	900
	1 3/8	900
	1 3/4	900
	2	900
	2 1/2	900
5	1	600
	1 3/8	950
	1 3/4	950
	2	950
	2 1/2	950
	3	950
6	1 3/8	700
	1 3/4	700
	2	700
	2 1/2	700
	3	700
	3 1/2	700
	4	700
8	1 3/8	400
	1 3/4	650
	2	650
	2 1/2	650
	3	650
	3 1/2	650
	4	650
	4 1/2	650
	5	650
5 1/2	650	

\*Applies to all mountings except Model 61.

# Miller JV Series Medium-Duty Hydraulic Cylinders

## Ports

Miller JV Series cylinders can be supplied with SAE straight O-ring ports or NPTF pipe thread ports. If specified on your order, extra ports can be provided on the sides of heads or caps that are not occupied by mountings or cushion valve.

Standard port location is position 1 as shown on line drawings in product catalog and Figure 1 below. Cushion adjustment needle and check valves are at positions 2 and 4 (or 3), depending on mounting style. Heads or caps which do not have an integral mounting can be rotated and assembled with ports at 90° or 180° from standard position. Mounting styles on which head or cap can be rotated at no extra charge are shown in Table A below. To order, specify by position number. In such assemblies the cushion adjustment needle and check valve rotate accordingly since their relationship with port position does not change.

Figure 1

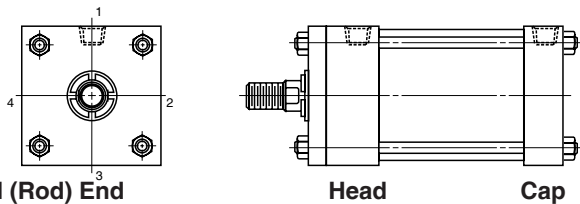


Table A

Model	Port Position Available	
	Head End	Cap End
51, 52, 53, 61, 62, 63, 64, 65, 66, 89	1, 2, 3 or 4	1, 2, 3 or 4
82, 84	1,2, 3 or 4	1 or 3
81	1 or 3	1, 2, 3 or 4
72, 74	1	1

Ports can be supplied at positions other than those shown in Table A at an extra charge. To order, specify port position as shown in Figure 1.

## Straight Thread Ports

The SAE straight thread O-ring port is recommended for hydraulic applications. Miller will furnish this port configuration at positions shown in Table A. This port can also be provided at positions other than those shown in Table A at an extra charge. SAE port size numbers are listed next to the NPTF pipe thread counterparts for each bore size in the respective product catalogs. Size number, tube, O.D. and port thread size for SAE ports are listed in Table B.

Table B

SAE Straight Thread O-Ring Ports

Size No.	Tube O.D. (In.)	Thread Size	Size No.	Tube O.D. (In.)	Thread Size
2	1/8	5/16 - 24	12	3/4	1 1/16 - 12
3	3/16	3/8 - 24	—	—	—
4	1/4	7/16 - 20	16	1	1 5/16 - 12
5	5/16	1/2 - 20	20	1 1/4	1 5/8 - 12
6	3/8	9/16 - 18	24	1 1/2	1 7/8 - 12
8	1/2	3/4 - 16	32	2	2 1/2 - 12
10	5/8	7/8 - 14	—	—	—

**Note:** For the pressure ratings of individual connectors, contact your connector supplier. Hydraulic cylinders applied with meter out or deceleration circuits are subject to intensified pressure at the cylinder piston rod end. The rod end pressure is approximately equal to:

$$\frac{\text{Effective Cap End Piston Area}}{\text{Effective Rod End Piston Area}} \times \text{Operating Pressure}$$

## International Ports

Other port configurations to meet international requirements are available at extra cost. Miller JV Series cylinders can be supplied, on request, with British standard taper port (BSPT). Such port has a taper of 1 in 16 measured on the diameter (1/16" per inch). The thread form is Whitworth System, and size and number of threads per inch are as follows:

Table C

British Standard Pipe Threads

Nominal Pipe Size	No. Threads Per Inch	Pipe O.D.
1/8	28	.383
1/4	19	.518
3/8	19	.656
1/2	14	.825
3/4	14	1.041
1	11	1.309
1 1/4	11	1.650
1 1/2	11	1.882
2	11	2.347

British standard parallel internal threads are designated as BSPP and have the same thread form and number of threads per inch as the BSPT type and can be supplied, on request, at extra cost. Unless otherwise specified, the BSPP or BSPT port size supplied will be the same nominal pipe size as the NPTF port for a given bore size cylinder.

Metric ports can also be supplied to order at extra cost. Consult factory.

# Miller JV Series Medium-Duty Hydraulic Cylinders

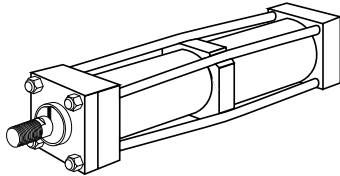
Stroke Data  
Tie Rod Supports  
Stroke Adjusters  
Thrust Key Mountings

## Stroke Data

Miller cylinders are available in any practical stroke length. The following information should prove helpful to you in selecting the proper stroke for your cylinder application.

**Stroke Tolerances** Stroke length tolerances are required due to buildup of tolerances of piston, head, cap and cylinder body. Standard production stroke tolerances run  $+1/32"$  to  $-1/64"$  up to 20" stroke,  $+1/32"$  to  $-.20"$  for 21" to 60" and  $+1/32"$  to  $-1/32"$  for greater than 60" stroke. For closer tolerances on stroke length, it is necessary to specify the required tolerance plus the operating pressure and temperature at which the cylinder will operate. Stroke tolerances smaller than .015" are not generally practical due to elasticity of cylinders. If machine design requires such close tolerances, use of a stroke adjuster (below) may achieve the desired result.

## Tie Rod Supports



**Rigidity of Envelope** The prestressed tie rod construction of cylinders has advantages in rigidity within the limits of the cylinder tube to resist buckling. For long stroke cylinders within practical limits. Tie rod supports (see table below) which move the tie rod centerlines radially outward are used.

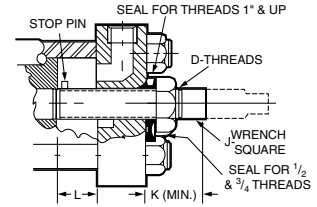
Standard tie rod supports are kept within the envelope dimensions of the head and cap, and generally do not interfere with mounting a long cylinder.

Number of Supports Required	Stroke (Inches)													
	Bore	36	48	60	72	84	96	108	120	132	144	156	168	
1	—	1	1	1	2	Consult Factory								
1 1/2	—	—	1	1	1	2	2	2	3	3	3	3	4	
2	—	—	—	1	1	1	1	2	2	2	2	2	3	
2 1/2	—	—	—	—	—	1	1	1	1	1	1	2	2	
3 1/4	—	—	—	—	—	—	—	1	1	1	1	1	1	
4	—	—	—	—	—	—	—	—	—	1	1	1	1	

Note: 5" through 8" bore sizes — no supports required.

## Stroke Adjusters

**Stroke Adjusters** For the requirement where adjusting the stroke is specified. Miller has several designs to offer, one of which is illustrated below. This is suitable for infrequent\* adjustment and is economical.



Here a "retracting stroke adjuster" must be called for in specifications, and the length of the adjustment must be specified.

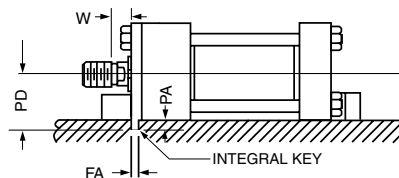
Where frequent adjustment or cushions at the cap end are required, other designs are available according to application needs.

Bore Size JV & AV Series	D	J	K	L (Max.)
1 1/2, 2	1/2 - 20	5/16	15/16	5
2 1/2, 3 1/4, 4	3/4 - 16	7/16	1 1/4	8
5, 6	1 - 14	5/8	1 11/16	9
8	1 1/2 - 12	15/16	2 1/8	18
10	2 - 12	1 5/16	2 11/16	20
12, 14	2 1/2 - 12	1 11/16	3 1/8	20
—	3 - 12	2	3 1/4	20
—	3 1/2 - 12	2 3/8	3 1/2	20

\* Infrequent is defined by positioning the retract stroke in a couple of attempts at original machine set-up. The frequent stroke adjuster is recommended when adjustments may be required by the end user.

## Thrust Key Mountings

Thrust key mountings eliminate the need of using fitted bolts or external keys on side mounted cylinders. Cylinder Models 72 and 74 can be provided with the bushing retainer plate extended below the mounting side of the cylinder (see illustration below). This extended retainer plate can then be fitted into a keyway milled into the mounting surface of the machine member.



Bore	Dim. FA	Dim. PA	Dim. PD Mtg. Styles 72, 74
1	.312 +.000 -.002	3/16	15/16
1 1/2			1 3/16
2			1 7/16
2 1/2			1 11/16
3 1/4	.562 +.000 -.002	5/16	2 3/16
4			2 9/16
5			3 1/16
6	.687 +.000 -.002	3/8	3 5/8

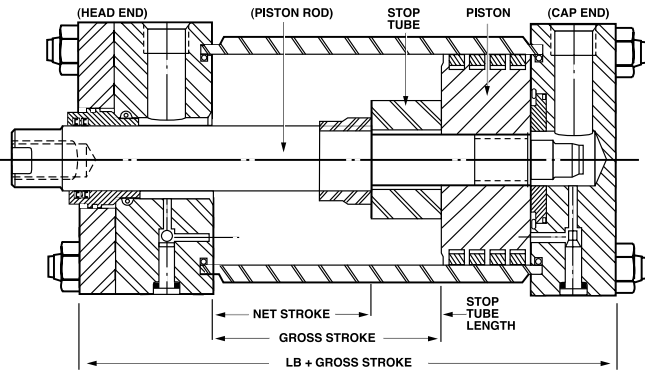
# Miller JV Series Medium-Duty Hydraulic Cylinders

Stop Tubing  
Mounting Classes

## Stop Tubing

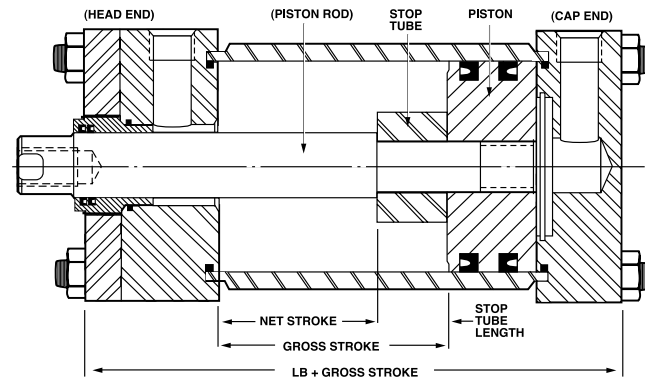
Stop tube is recommended to lengthen the distance between the bushing and piston to reduce bearing loads when the cylinder is fully extended. This is especially true of horizontally mounted and long stroke cylinders. Long stroke cylinders achieve additional stability through the use of a stop tube.

## Drawing A



When specifying cylinders with long stroke and stop tube, be sure to call out the net stroke and the length of the stop tube. Machine design can be continued without delay by laying in a cylinder equivalent in length to the NET STROKE PLUS STOP TUBE LENGTH, which is referred to as GROSS STROKE.

## Drawing B



This design is supplied on all non-cushion cylinders.

## Mounting Classes

Standard mountings for fluid power cylinders fall into three basic groups. The groups can be summarized as follows:

**Group 1** Straight Line Force Transfer with fixed mounts which absorb force on cylinder centerline.

**Group 2** Pivot Force Transfer. Pivot mountings permit a cylinder to change its alignment in one plane.

**Group 3** Straight Line Force Transfer with fixed mounts which do not absorb force on cylinder centerline.

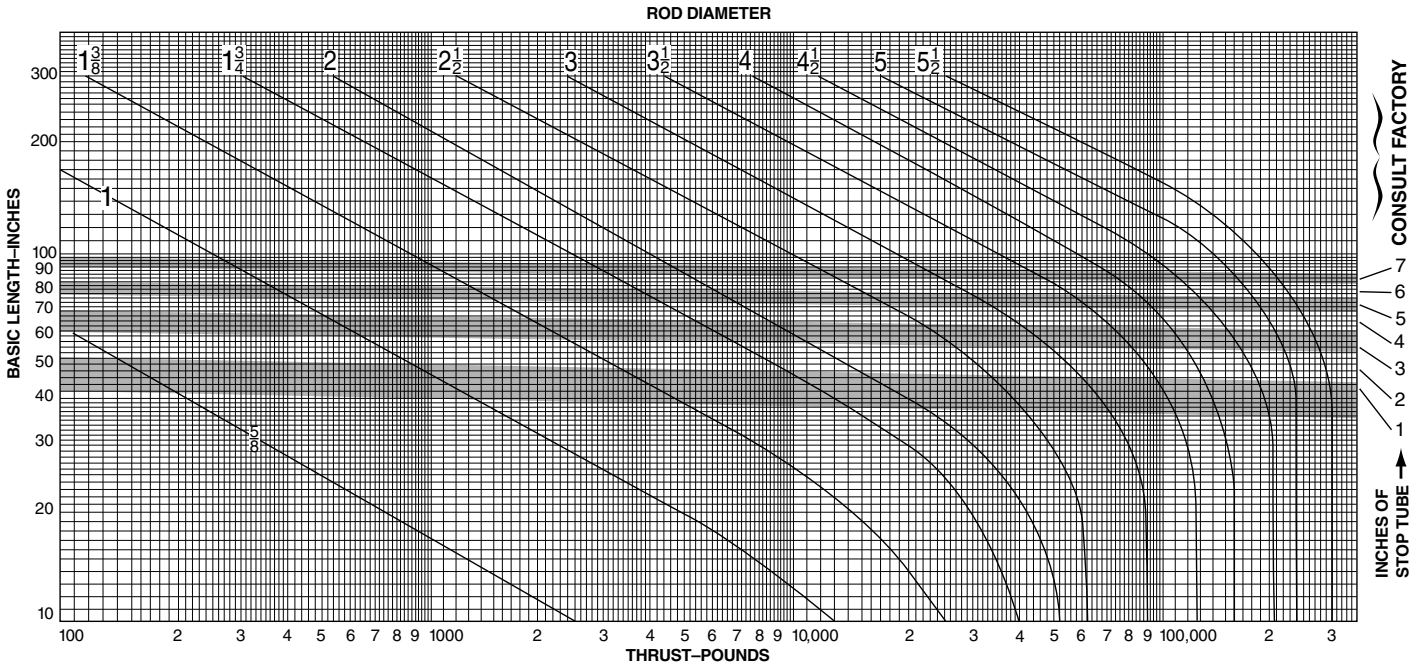
Because a cylinder's mounting directly affects the maximum pressure at which the cylinder can be used, the chart below should be helpful in selection of the proper mounting combination for your application. Stroke length, piston rod connection to load, extra piston rod length over standard, etc., should be considered for thrust loads. Alloy steel mounting bolts are recommended for all mounting styles, and thrust keys are recommended for Group 3.

<b>Group 1</b> FIXED MOUNTS which absorb force on cylinder centerline.	
<b>Heavy-Duty Service</b> For Thrust Loads For Tension Loads	Models 52 Models 53
<b>Medium-Duty Service</b> For Thrust Loads For Tension Loads	Models 62, 66 Models 61, 65
<b>Light-Duty Service</b> For Thrust Loads For Tension Loads	Model 62 Model 61
<b>Group 2</b> PIVOT MOUNTS which absorb force on cylinder centerline.	
<b>Heavy-Duty Service</b> For Thrust Loads For Tension Loads	Models 81, 89 Models 81, 82, 84, 89
<b>Medium-Duty Service</b> For Thrust Loads For Tension Loads	Model 84 Model 84
<b>Group 3</b> FIXED MOUNTS which do not absorb force on the centerline.	
<b>Heavy-Duty Service</b> For Thrust Loads For Tension Loads	Model 72 Model 72
<b>Medium-Duty Service</b> For Thrust Loads For Tension Loads	Model 74 Model 74

# Miller JV Series Medium-Duty Hydraulic Cylinders

Piston Rod Selection  
Chart and Data

## Piston Rod — Stroke Selection Chart



### How to Use the Chart

The selection of a piston rod for thrust (push) conditions requires the following steps:

- Determine the type of cylinder mounting style and rod end connection to be used. Then consult the chart below and find the "stroke factor" that corresponds to the conditions used.
- Using this stroke factor, determine the "basic length" from the equation:  

$$\text{Basic Length} = \frac{\text{Actual Stroke}}{\text{Stroke Factor}}$$

The graph is prepared for standard rod extensions beyond the face of the bushing retainers. For rod extensions greater than standard, add the increase to the stroke in arriving at the "basic length."

- Find the load imposed for the thrust application by multiplying the full bore area of the cylinder by the system pressure.
- Enter the graph along the values of "basic length" and "thrust" as found above and note the point of intersection:

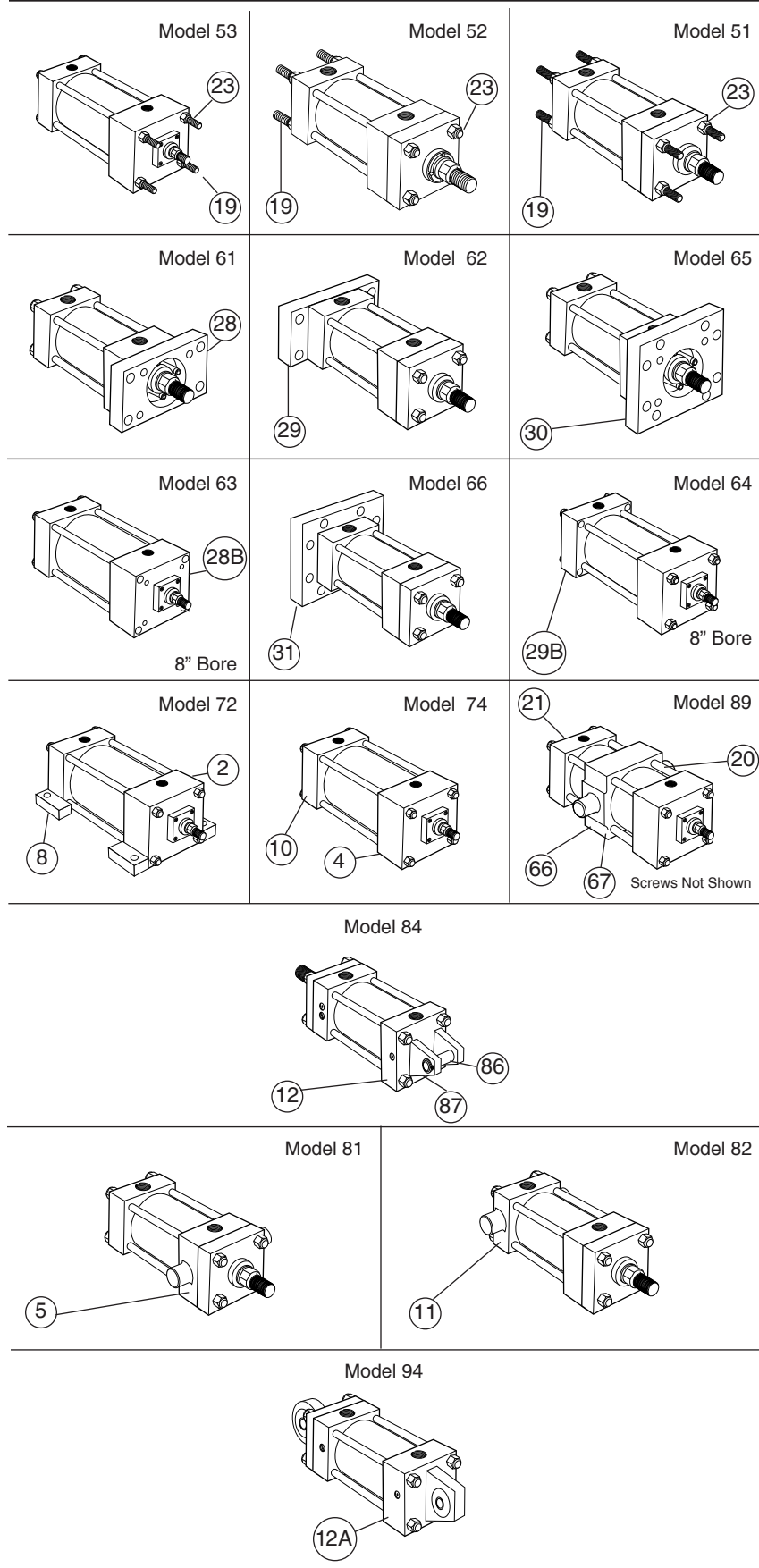
- The correct piston rod size is read from the diagonally curved line labeled "Rod Diameter" next above the point of intersection.
- The required length of stop tube is read from the right of the graph by following the shaded band in which the point of intersection lies.
- If required length of stop tube is in the region labeled "consult factory," submit the following information for an individual analysis:
  - Cylinder mounting style.
  - Rod end connection and method of guiding load.
  - Bore, required stroke, length of rod extension (Dim. "LA") if greater than standard, and series of cylinder used.
  - Mounting position of cylinder. (Note: If at an angle or vertical, specify direction of piston rod.)
  - Operating pressure of cylinder if limited to less than standard pressure for cylinder selected.

Recommended Mounting Styles for Maximum Stroke and Thrust Loads	Rod End Connection	Case	Stroke Factor
<b>Groups 1 or 3</b> Long stroke cylinders for thrust loads should be mounted using a heavy-duty mounting style at one end, firmly fixed and aligned to take the principal force. Additional mounting should be specified at the opposite end, which should be used for alignment and support. An intermediate support may also be desirable for long stroke cylinders mounted horizontally. See "Tie Rod Supports — Rigidity of Envelope" for a guide. Machine mounting pads can be adjustable for support mountings to achieve proper alignment.	Fixed and Rigidly Guided	I	.50
	Pivoted and Rigidly Guided	II	.70
	Supported but not Rigidly Guided	III	2.00
<b>Group 2</b> Model 81 — Trunnion on Head	Pivoted and Rigidly Guided	IV	1.00
Model 89 — Intermediate Trunnion	Pivoted and Rigidly Guided	V	1.50
Model 82 — Trunnion on Cap or Model 84 — Clevis on Cap	Pivoted and Rigidly Guided	VI	2.00



# Miller JV Series Medium-Duty Hydraulic Cylinders

Mounting  
Parts Identification



## Replacement Mountings & Hardware

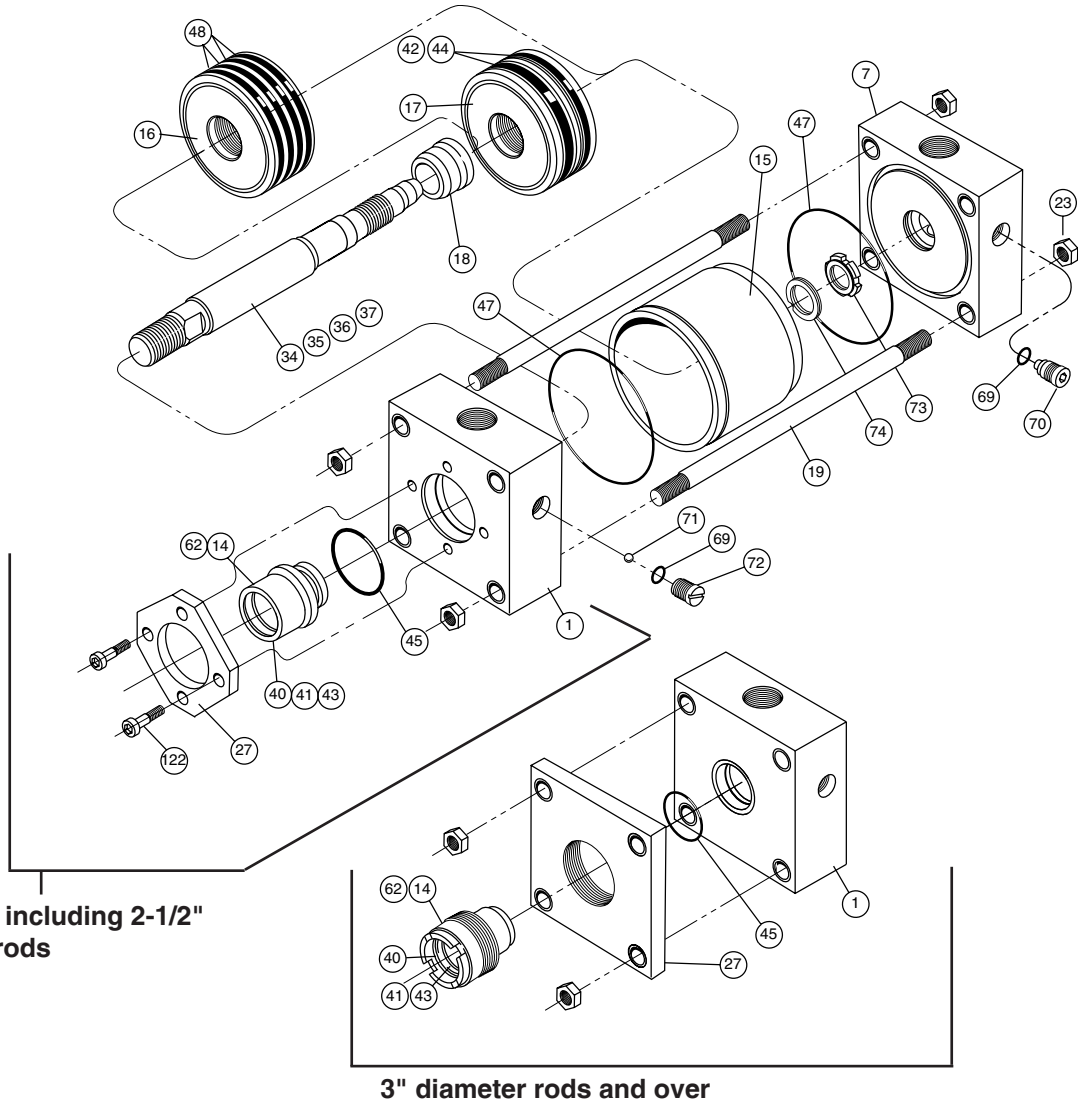
Symbol	Description
2	Head, side lug mount
3	Head, centerline lug mount
4	Head, side tap mount
5	Head, trunnion mount
8	Cap, side lug mount
9	Cap, centerline lug mount
10	Cap, side tap mount
11	Cap, trunnion mount
12	Cap, fixed clevis mount
12A	Cap, eye, w/spherical bearing mount
19	Tie rod
20	Tie rod, head end mount
21	Tie rod, cap end mount
23	Tie rod nut
25	Detachable clevis, mount
28	Flange, rectangular, head mount
28B	Head, square mount
29	Flange, rectangular, cap mount
29B	Cap, square mount
30	Flange, square, head mount
31	Flange, square, cap mount
66	Intermediate trunnion
67	Screws, intermediate trunnion
87	Retaining ring mount

### How to Order

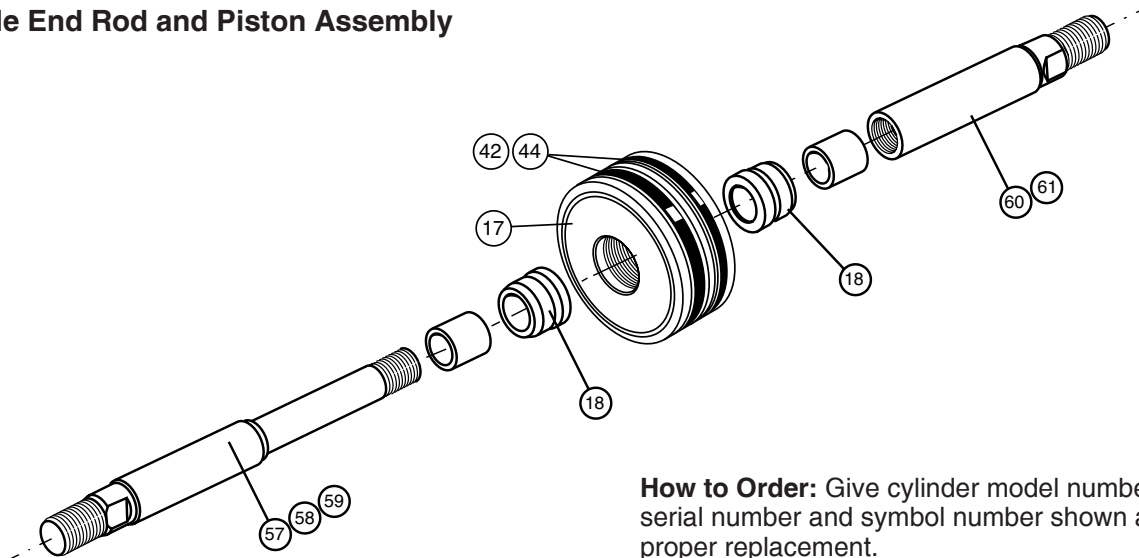
Give cylinder model number, bore, stroke, serial number and symbol number shown above to insure proper replacement.

# Miller JV Series Medium-Duty Hydraulic Cylinders

Parts Identification



## Double End Rod and Piston Assembly



**How to Order:** Give cylinder model number, bore, stroke, serial number and symbol number shown above to insure proper replacement.

# Miller JV Series Medium-Duty Hydraulic Cylinders

Parts Identification  
Cushion Kits

Parts		Assemblies (Includes Symbol Numbers Shown)			
Symbol	Description	Symbol	Description	Ring Type Piston	Lipseal Type Piston
1	Head, ported, non-cushioned	C1SA	Head, ported, cushioned		1, 69, 70, 71 & 72
7	Cap, ported, non-cushioned	C7SA	Cap, ported, cushioned		7, 69, 70, 73 & 74
14	Bushing	62	Bushing kit		14, 40, 41, 43 & 45
15	Cylinder tube	-	-		-
16	Piston, ring type	-	-		-
17	Piston, lipseal type	-	-		-
18	Cushion plunger, cushioned cylinder only	-	-		-
19	Tie rod	-	-		-
23	Tie rod nut	-	-		-
27	Retainer	-	-		-
34	Piston rod, single rod type, non-cushioned	34SA	Piston & rod assembly, single rod type — non-cushioned	16, 34 & 48	17, 34, 42 & 44
35	Piston rod, single rod type, cushioned head end	35SA	Piston & rod assembly, single rod type — cush. head end	16, 18, 35 & 48	17, 18, 35, 42 & 44
36	Piston rod, single rod type, cushioned cap end	36SA	Piston & rod assembly, single rod type — cush. cap end	16, 36 & 48	17, 36, 42 & 44
37	Piston rod, single rod type, cushioned both ends	37SA	Piston & rod assembly, single rod type — cush. both ends	16, 18, 37 & 48	17, 18, 37, 42 & 44
40	Rod wiper	-	-		-
41	Rod seal	-	-		-
42	Lipseal, piston	-	-		-
43	Back-up washer, bushing	-	-		-
44	Back-up washer, piston	-	-		-
45	O-ring, bushing to head seal	-	-		-
47	O-ring, cylinder tube end seal	-	-		-
48	Piston ring	-	-		-
57	Piston rod, double rod type, non-cushioned	57SA	Piston & Rod assembly, double rod type — non-cush.	16, 48, 57 & 60	17, 42, 44, 57 & 60
58	Piston rod, double rod type, cushioned one end	58SA	Piston & rod assembly, double rod type — cush. one end	16, 18, 48, 58 & 60	17, 18, 42, 44, 58 & 60
59	Piston rod, double rod type, cushioned both ends	59SA	Piston & rod assembly, double rod type — cush. both ends	16, 18, 48, 58 & 61	17, 18, 42, 44, 58 & 61
60	Piston rod extension, double rod type—non-cushioned	-	-		-
61	Piston rod extension, double rod type — cushioned	-	-		-
69	O-ring, cushion adjustment & check valve screw	-	-		-
70	Needle valve, cushion adjustment	-	-		-
71	Ball, check valve	-	-		-
72	Plug screw, check valve	-	-		-
73	Cushion bushing, cap end floating check valve	-	-		-
74	Retaining ring, floating cushion bushing	-	-		-
122	Socket cap screws	-	-		-

## Standard Cushion Hardware Kits

Bore Size	Rod Diameter	For Head Assemblies Order Kits	For Cap Assemblies Order Kits
		By Number Below: (Kits include Symbols 69, 70, 71 & 72 for One Head) Series JV	By Number Below: (Kits include Symbols 69, 70, 73 & 74 for One Cap) Series JV
1	All	JV-CUKH1-9	JV-CUKC1-13
1 1/2	5/8	JV-CUKH1-10	JV-CUKC1-14
	1	JV-CUKH1-10M	
2	5/8, 1	JV-CUKH1-10	JV-CUKC1-14
	1 3/8	JV-CUKH1-10M	
2 1/2	5/8, 1, 1 3/8	JV-CUKH1-10	JV-CUKC1-14
	1 3/4	JV-CUKH1-10M	
3 1/4	All	JV-CUKH1-11	JV-CUKC1-15
4	All	JV-CUKH1-11	JV-CUKC1-15
5	All	JV-CUKH1-11A	JV-CUKC1-15A
6	1 3/8 - 3 1/2	JV-CUKH1-12	JV-CUKC1-16
6	4	JV-CUKH1-11	JV-CUKC1-16A
8	All	JV-CUKH1-12	JV-CUKC1-17

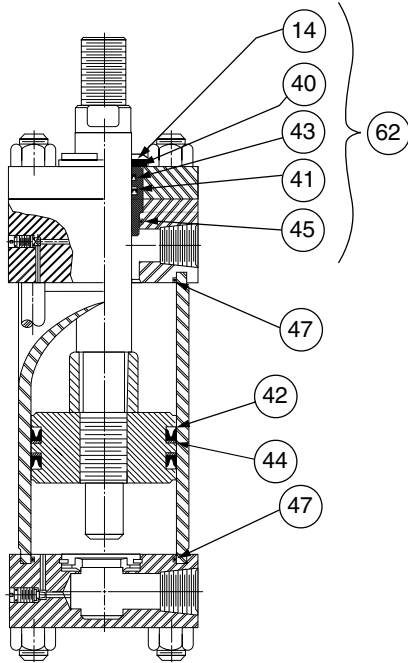
## Fluorocarbon Cushion Hardware Kits

Bore Size	Rod Diameter	For Head Assemblies Order Kits	For Cap Assemblies Order Kits
		By Number Below: (Kits include Symbols 69, 70, 71 & 72) Series JV	By Number Below: (Kits include Symbols 69, 70, 73 & 74) Series JV
1	All	JV-CUKH5-28	JV-CUKC5-32
1 1/2	5/8	JV-CUKH5-29	JV-CUKC5-33
	1	JV-CUKH5-29M	
2	5/8, 1	JV-CUKH5-29	JV-CUKC5-33
	1 3/8	JV-CUKH5-29M	
2 1/2	5/8, 1, 1 3/8	JV-CUKH5-29	JV-CUKC5-33
	1 3/4	JV-CUKH5-29M	
3 1/4	All	JV-CUKH5-30	JV-CUKC5-34
4	All	JV-CUKH5-30	JV-CUKC5-34
5	All	JV-CUKH5-30A	JV-CUKC5-34A
6	1 3/8 - 3 1/2	JV-CUKH5-31	JV-CUKC5-35
6	4	JVCUKH5-30	JV-CUKC5-35A
8	All	JV-CUKH5-31	JV-CUKC5-36

# Miller JV Series Medium-Duty Hydraulic Cylinders

Parts Identification  
Seal Kits  
Standard Seals

Symbol	Description
14	Bushing
40	Rod Wiper
41	Rod Seal
42	Piston lipseal
43	Bushing back-up washer
44	Piston back-up washer
45	Bushing to head o-ring
47	End seal o-ring
48	Piston ring
62	Bushing kit



## Seal Kits for Class 1 & 2 Service

Material: Buna-N (Nitrile)

For operating temperature and fluid compatibility, see "Operating Fluids and Temperature Range" page.

Bushing wrenches are available to ease (rod) seal or bushing removal without disassembly of the cylinder. **(For rod diameters over 2 1/2".)**

For detailed seal replacement instructions see service bulletin M0995-M1, M2 and M3.

Rod Dia.	Bushing Kits (Symbol 62) Kits Contains Symbols 14, 40, 41, 43 & 45	Rod Seal Kits Contains Symbols 40, 41, 43 & 45	Bushing Wrench	Spanner Wrench
1/2	JV-KR100-50	JV-KR300-50	Not Required	Not Required
5/8	JV-KR100-63	JV-KR300-63		
1	JV-KR100-100	JV-KR300-100		
1 3/8	JV-KR100-138	JV-KR300-138		
1 3/4	JV-KR100-175	JV-KR300-175		
2	JV-KR100-200	JV-KR300-200		
2 1/2	JV-KR100-250	JV-KR300-250	069596 0000	011677 0000
3	JV-KR100-300	JV-KR300-300	069597 0000	011677 0000
3 1/2	JV-KR100-350	JV-KR300-350	069598 0000	011678 0000
4	JV-KR100-400	JV-KR300-400	083877 0000	011678 0000
4 1/2	JV-KR100-450	JV-KR300-450	069599 0000	011678 0000
5	JV-KR100-500	JV-KR300-500	069600 0000	011678 0000
5 1/2	JV-KR100-550	JV-KR300-550		

Bore Size	Piston Seal Kits JV Series Contains 2 Each Symbols: 42, 44 & 47	Piston Ring Kits JV Series Contains 2 Each Symbols 47 & 4 Each Symbol 48
1	JV-KB100-100	JV-KB300-100
1 1/2	JV-KB100-150	JV-KB300-150
2	JV-KB100-200	JV-KB300-200
2 1/2	JV-KB100-250	JV-KB300-250
3 1/4	JV-KB100-325	JV-KB300-325
4	JV-KB100-400	JV-KB300-400
5	JV-KB100-500	JV-KB300-500
6	JV-KB100-600	JV-KB300-600
8	JV-KB100-800	JV-KB300-800

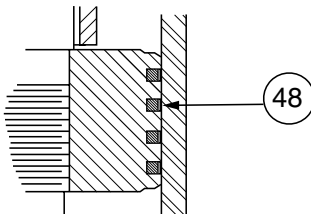
## Piston Seal Options

### Lipseal Type Piston

(as shown above)

Supplied as standard on JV Series hydraulic cylinders.

### Ring Type Piston



Optional for JV Series hydraulic cylinders.

Bore Size	Tube Seal Kits Contains 2 Each Symbol 47	Tie Rod Torque Specifications (Ft. Lbs.)
1	JV-ES100-100	2
1 1/2	JV-ES100-150	5
2	JV-ES100-200	11
2 1/2	JV-ES100-250	11
3 1/4	JV-ES100-325	25
4	JV-ES100-400	25
5	JV-ES100-500	60
6	JV-ES100-600	60
8	JV-ES100-800	110

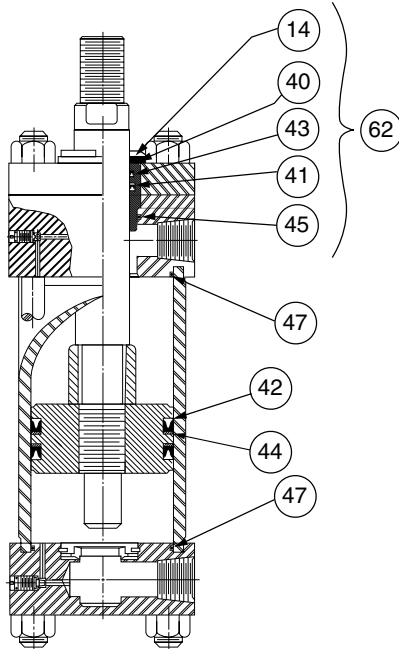
## How to Order

Individual seals contained in the kits are available separately; however, we recommend purchasing complete kits because of convenience and lower replacement cost. When ordering seal kits, give part number listed above. To be sure of exact replacement, give serial number of cylinder when ordering replacement kits or seals.

# Miller JV Series Medium-Duty Hydraulic Cylinders

Parts Identification  
Seal Kits  
Group 5 Service

Symbol	Description
14	Bushing
40	Rod Wiper
41	Rod Seal
42	Piston lipseal
43	Bushing back-up washer
44	Piston back-up washer
45	Bushing to head o-ring
47	End seal o-ring
48	Piston ring
62	Bushing kit



## Seal Kits for Class 5 Service

Material: Fluorocarbon

For operating temperature and fluid compatibility, see "Operating Fluids and Temperature Range" page.

Bushing wrenches are available to ease (rod) seal or bushing removal without disassembly of the cylinder. **(For rod diameters over 2 1/2").**

For detailed seal replacement instructions see service bulletin M0995-M1, M3 and M5.

Rod Dia.	Bushing (Symbol 62) Kits Contains Symbols 14, 40, 41, 43 & 45	Rod Seal Kits Contains Symbols 40, 41, 43 & 45	Bushing Wrench	Spanner Wrench
1/2	JV-KR200-50	JV-KR400-50	Not Required	Not Required
5/8	JV-KR200-63	JV-KR400-63		
1	JV-KR200-100	JV-KR400-100		
1 3/8	JV-KR200-138	JV-KR400-138		
1 3/4	JV-KR200-175	JV-KR400-175		
2	JV-KR200-200	JV-KR400-200		
2 1/2	JV-KR200-250	JV-KR400-250	069596 0000	011677 0000
3	JV-KR200-300	JV-KR400-300	069597 0000	011677 0000
3 1/2	JV-KR200-350	JV-KR400-350	069598 0000	011678 0000
4	JV-KR200-400	JV-KR400-400	083877 0000	011678 0000
4 1/2	JV-KR200-450	JV-KR400-450	069599 0000	011678 0000
5	JV-KR200-500	JV-KR400-500	069600 0000	011678 0000
5 1/2	JV-KR200-550	JV-KR400-550		

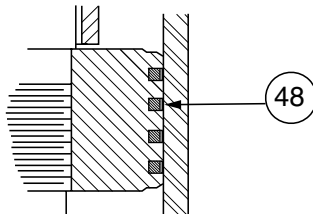
Bore Size	Piston Seal Kits Contains 2 Each Symbols: 42, 44 & 47	Piston Ring Kits Contains 2 Each Symbols 47 & 4 Each Symbol 48
1	JV-KB200-100	JV-KB400-100
1 1/2	JV-KB200-150	JV-KB400-150
2	JV-KB200-200	JV-KB400-200
2 1/2	JV-KB200-250	JV-KB400-250
3 1/4	JV-KB200-325	JV-KB400-325
4	JV-KB200-400	JV-KB400-400
5	JV-KB200-500	JV-KB400-500
6	JV-KB200-600	JV-KB400-600
8	JV-KB200-800	JV-KB400-800

## Piston Seal Options

### Lipseal Type Piston

(as shown above)  
Supplied as standard on JV Series hydraulic cylinders.

### Ring Type Piston



Optional for JV Series hydraulic cylinders.

Bore Size	Tube Seal Kits Contains 2 Each Symbol 47	Tie Rod Torque Specifications (Ft. Lbs.)
1	JV-ES200-100	2
1 1/2	JV-ES200-150	5
2	JV-ES200-200	11
2 1/2	JV-ES200-250	11
3 1/4	JV-ES200-325	25
4	JV-ES200-400	25
5	JV-ES200-500	60
6	JV-ES200-600	60
8	JV-ES200-800	110

## How to Order

Individual seals contained in the kits are available separately; however, we recommend purchasing complete kits because of convenience and lower replacement cost. When ordering seal kits, give part number listed above. To be sure of exact replacement, give serial number of cylinder when ordering replacement kits or seals.

# Miller JV Series Medium-Duty Hydraulic Cylinders

Model Numbers

## How to Order JV Series Cylinders

### Data Required On All Cylinder Orders

When ordering JV Series cylinders, be sure to specify each of the following requirements:

(NOTE: – Duplicate cylinders can be ordered by giving the SERIAL NUMBER from the original cylinder. Factory records supply a quick, positive identification.)

**a) Series Designation (“JV”)**

**b) Mounting Model**

Specify your choice of mounting – as shown and dimensioned in this catalog.

**c) Bushing Style (“B” or “R”)**

**d) Piston Rod End Thread Style**

Call out thread style number. Thread style 2 will be furnished if not otherwise supplied. For special rod ends specify style “X” as indicated below.

**e) Cushions (if required)**

Specify “Cushion-head end,” “Cushion-cap end” or “Cushion-both ends” as required. If cylinder is to have a double rod and only one cushion is required, be sure to specify clearly which end of the cylinder is to be cushioned.

**f) Bore Size**

**g) Length of Stroke**

**h) Piston Rod Diameter**

Call out rod diameter. In JV Series cylinders, standard rod diameters will be furnished if not otherwise specified, unless length of stroke makes the application questionable.

**i) Ports**

NPTF is standard.

**j) Port Locations**

**k) Modifications**

Any modifications that are not identified in the cylinder number shown on the following page should be added to the specifications. These can include special fluids, special seals, air bleeds, double rod cylinder with different rod end styles and diameters. For further information consult factory.

### Style X Rod End

A style X rod end indicates a special rod end configuration. All special rod ends must be described by at least **all three**: KK; A; or W/WF specified with the rod fully retracted. A sketch or drawing should be submitted for rod ends requiring special machining such as snap ring grooves, keyways,

tapers, multiple diameters, etc. It is good design practice to have this machining done on a diameter at least 0.065 inches smaller than the piston rod diameter. This allows the piston rod to have a chamfer preventing rod seal damage during assembly or maintenance.

### Service Policy

When cylinders are returned to the factory for repairs, it is standard policy for Miller Fluid Power to make such part replacements as will put the cylinder in as good as new condition. Should the condition of the returned cylinder be such that expenses for repair exceed the cost of a new one, you will be notified.

### Certified Dimensions

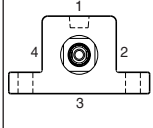
Miller Fluid Power guarantees that all cylinders ordered from this catalog will be built to dimensions shown. All dimensions are certified to be correct, and thus it is not necessary to request certified drawings.

# Miller JV Series Medium-Duty Hydraulic Cylinders

How To Order

How to Order – Example: JV-72B2N-00400-00800-0138 N11-0

Series	Mounting Style	Bushing	Rod End Style	Cushions	Bore Dia.	Stroke	Rod Dia.	Port Type	Port Location	Modified
JV DJV (D = Dbl. Rod End)		B = Bolted Bushing R = Retainer Held Bushing	2 (Standard) 4 5 X (Special)	R = Rod End Cushioned C = Cap End Cushioned B = Both Ends Cushioned N = Non-Cushioned				N = NPTF S = SAE	Head End Cap End 1 (Std.) 1 2 2 3 3 4 4	0 = Standard 9* = Modified



9\* The number 9 refers to special options or modifications that deviate from the standard product offering. Non-standard modifications and options not identified in the cylinder model number should be added in the notes when placing an order.

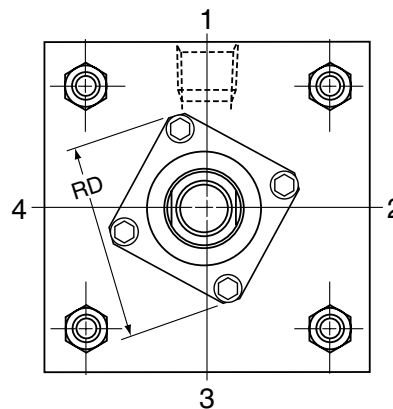
**Modifications which can be placed under the designator “9” are as follows:**

- Fluorocarbon Seals – for applications which experience operating temperatures up to and including 250°F
- Multiple Ports
- Special Port Threads
- Cushion Location
- Special Mounts

Note: The standard #1 port location is at the top of the cylinder, and the standard cushion adjustment screw is in position #2 when facing the rod end of the cylinder. If multiple ports are required, the last number of the part number should be “9”, indicating modified and the desired port location specified in the notes.

Cushions not available on 1" bore.

Rod Dia.	RD Across Corners
5/8"	1 <sup>63</sup> / <sub>64</sub>
1"	2 <sup>31</sup> / <sub>64</sub>
1 <sup>3</sup> / <sub>8</sub> "	2 <sup>63</sup> / <sub>64</sub>
1 <sup>3</sup> / <sub>4</sub> "	3 <sup>41</sup> / <sub>64</sub>
2"	3 <sup>3</sup> / <sub>4</sub>
2 <sup>1</sup> / <sub>2</sub> "	4 <sup>21</sup> / <sub>64</sub>



# Miller JV Series Medium-Duty Hydraulic Cylinders

## Safety Guide for Selecting and Using Hydraulic, Pneumatic Cylinders and Their Accessories

**WARNING:** ⚠ FAILURE OF THE CYLINDER, ITS PARTS, ITS MOUNTING, ITS CONNECTIONS TO OTHER OBJECTS, OR ITS CONTROLS CAN RESULT IN:

- Unanticipated or uncontrolled movement of the cylinder or objects connected to it.
- Falling of the cylinder or objects held up by it.
- Fluid escaping from the cylinder, potentially at high velocity.

**THESE EVENTS COULD CAUSE DEATH OR PERSONAL INJURY BY, FOR EXAMPLE, PERSONS FALLING FROM HIGH LOCATIONS, BEING CRUSHED OR STRUCK BY HEAVY OR FAST MOVING OBJECTS, BEING PUSHED INTO DANGEROUS EQUIPMENT OR SITUATIONS, OR SLIPPING ON ESCAPED FLUID.**

Before selecting or using Parker Hannifin Corporation (the Company) cylinders or related accessories, it is important that you read, understand and follow the following safety information. Training is advised before selecting and using the Company's products.

### 1.0 General Instructions

**1.1 Scope** – This safety guide provides instructions for selecting and using (including assembling, installing, and maintaining) cylinder products. This safety guide is a supplement to and is to be used with the specific Company publications for the specific cylinder products that are being considered for use.

**1.2 Fail Safe** – Cylinder products can and do fail without warning for many reasons. All systems and equipment should be designed in a fail-safe mode so that if the failure of a cylinder product occurs people and property won't be endangered.

**1.3 Distribution** – Provide a free copy of this safety guide to each person responsible for selecting or using cylinder products. Do not select or use the Company's cylinders without thoroughly reading and understanding this safety guide as well as the specific Company publications for the products considered or selected.

**1.4 User Responsibility** – Due to very wide variety of cylinder applications and cylinder operating conditions, the Company does not warrant that any particular cylinder is suitable for any specific application. This safety guide does not analyze all technical parameters that must be considered in selecting a product. The hydraulic and pneumatic cylinders outlined in this catalog are designed to the Company's design guidelines and do not necessarily meet the design guideline of other agencies such as American Bureau of Shipping, ASME Pressure Vessel Code etc. The user, through its own analysis and testing, is solely responsible for:

- Making the final selection of the cylinders and related accessories.
- Determining if the cylinders are required to meet specific design requirements as required by the Agency(s) or industry standards covering the design of the user's equipment.
- Assuring that the user's requirements are met, OSHA requirements are met, and safety guidelines from the applicable agencies such as but not limited to ANSI are followed and that the use presents no health or safety hazards.
- Providing all appropriate health and safety warnings on the equipment on which the cylinders are used.

**1.5 Additional Questions** – Call the appropriate Company technical service department if you have any questions or require any additional information. See the Company publication for the product being considered or used, or call 1-847-298-2400, or go to [www.parker.com](http://www.parker.com), for telephone numbers of the appropriate technical service department.

### 2.0 Cylinder and Accessories Selection

**2.1 Seals** – Part of the process of selecting a cylinder is the selection of seal compounds. Before making this selection, consult the "seal information page(s)" of the publication for the series of cylinders of interest.

The application of cylinders may allow fluids such as cutting fluids, wash down fluids etc. to come in contact with the external area of the cylinder. These fluids may attack the piston rod wiper and or the primary seal and must be taken into account when selecting and specifying seal compounds.

Dynamic seals will wear. The rate of wear will depend on many operating factors. Wear can be rapid if a cylinder is mis-aligned or if the cylinder has been improperly serviced. The user must take seal wear into consideration in the application of cylinders.

**2.2 Piston Rods** – Possible consequences of piston rod failure or separation of the piston rod from the piston include, but are not limited to are:

- Piston rod and or attached load thrown off at high speed.
- High velocity fluid discharge.
- Piston rod extending when pressure is applied in the piston retract mode.

Piston rods or machine members attached to the piston rod may move suddenly and without warning as a consequence of other conditions occurring to the machine such as, but not limited to:

- Unexpected detachment of the machine member from the piston rod.

- Failure of the pressurized fluid delivery system (hoses, fittings, valves, pumps, compressors) which maintain cylinder position.
- Catastrophic cylinder seal failure leading to sudden loss of pressurized fluid.
- Failure of the machine control system.

Follow the recommendations of the "Piston Rod Selection Chart and Data" in the publication for the series of cylinders of interest. The suggested piston rod diameter in these charts must be followed in order to avoid piston rod buckling.

Piston rods are not normally designed to absorb bending moments or loads which are perpendicular to the axis of piston rod motion. These additional loads can cause the piston rod to fail. If these types of additional loads are expected to be imposed on the piston rod, their magnitude should be made known to our engineering department.

The cylinder user should always make sure that the piston rod is securely attached to the machine member.

On occasion cylinders are ordered with double rods (a piston rod extended from both ends of the cylinder). In some cases a stop is threaded on to one of the piston rods and used as an external stroke adjuster. On occasions spacers are attached to the machine member connected to the piston rod and also used as a stroke adjuster. In both cases the stops will create a pinch point and the user should consider appropriate use of guards. If these external stops are not perpendicular to the mating contact surface, or if debris is trapped between the contact surfaces, a bending moment will be placed on the piston rod, which can lead to piston rod failure. An external stop will also negate the effect of cushioning and will subject the piston rod to impact loading. Those two (2) conditions can cause piston rod failure. Internal stroke adjusters are available with and without cushions. The use of external stroke adjusters should be reviewed with our engineering department.

The piston rod to piston and the stud to piston rod threaded connections are secured with an anaerobic adhesive. The strength of the adhesive decreases with increasing temperature. Cylinders which can be exposed to temperatures above +250°F (+121°C) are to be ordered with a non studded piston rod and a pinned piston rod joint.

**2.3 Cushions** – Cushions should be considered for cylinder applications when the piston velocity is expected to be over 4 inches/second.

Cylinder cushions are normally designed to absorb the energy of a linear applied load. A rotating mass has considerably more energy than the same mass moving in a linear mode. Cushioning for a rotating mass application should be reviewed by our engineering department.

**2.4 Cylinder Mountings** – Some cylinder mounting configurations may have certain limitations such as but not limited to minimum stroke for side or foot mounting cylinders or pressure de-ratings for certain mounts. Carefully review the catalog for these types of restrictions.

Always mount cylinders using the largest possible high tensile alloy steel socket head cap screws that can fit in the cylinder mounting holes and torque them to the manufacturer's recommendations for their size.

**2.5 Port Fittings** – Hydraulic cylinders applied with meter out or deceleration circuits are subject to intensified pressure at piston rod end.

The rod end pressure is approximately equal to:

$$\frac{\text{operating pressure} \times \text{effective cap end area}}{\text{effective rod end piston area}}$$

Contact your connector supplier for the pressure rating of individual connectors.

### 3.0 Cylinder and Accessories Installation and Mounting

#### 3.1 Installation

**3.1.1** – Cleanliness is an important consideration, and cylinders are shipped with the ports plugged to protect them from contaminants entering the ports. These plugs should not be removed until the piping is to be installed. Before making the connection to the cylinder ports, piping should be thoroughly cleaned to remove all chips or burrs which might have resulted from threading or flaring operations.



# Miller JV Series Medium-Duty Hydraulic Cylinders

**3.1.2** – Cylinders operating in an environment where air drying materials are present such as fast-drying chemicals, paint, or weld splatter, or other hazardous conditions such as excessive heat, should have shields installed to prevent damage to the piston rod and piston rod seals.

**3.1.3** – Proper alignment of the cylinder piston rod and its mating component on the machine should be checked in both the extended and retracted positions. Improper alignment will result in excessive rod gland and/or cylinder bore wear. On fixed mounting cylinders attaching the piston rod while the rod is retracted will help in achieving proper alignment.

**3.1.4** – Sometimes it may be necessary to rotate the piston rod in order to thread the piston rod into the machine member. This operation must always be done with zero pressure being applied to either side of the piston. Failure to follow this procedure may result in loosening the piston to rod-threaded connection. In some rare cases the turning of the piston rod may rotate a threaded piston rod gland and loosen it from the cylinder head. Confirm that this condition is not occurring. If it does, re-tighten the piston rod gland firmly against the cylinder head.

For double rod cylinders it is also important that when attaching or detaching the piston rod from the machine member that the torque be applied to the piston rod end of the cylinder that is directly attaching to the machine member with the opposite end unrestrained. If the design of the machine is such that only the rod end of the cylinder opposite to where the rod attaches to the machine member can be rotated, consult the factory for further instructions.

## 3.2 Mounting Recommendations

**3.2.1** – Always mount cylinders using the largest possible high tensile alloy steel socket head screws that can fit in the cylinder mounting holes and torque them to the manufacturer's recommendations for their size.

**3.2.2** – Side-Mounted Cylinders – In addition to the mounting bolts, cylinders of this type should be equipped with thrust keys or dowel pins located so as to resist the major load.

**3.2.3** – Tie Rod Mounting – Cylinders with tie rod mountings are recommended for applications where mounting space is limited. The standard tie rod extension is shown as BB in dimension tables. Longer or shorter extensions can be supplied. Nuts used for this mounting style should be torqued to the same value as the tie rods for that bore size.

**3.2.4** – Flange Mount Cylinders – The controlled diameter of the rod gland extension on head end flange mount cylinders can be used as a pilot to locate the cylinders in relation to the machine. After alignment has been obtained, the flanges may be drilled for pins or dowels to prevent shifting.

**3.2.5** – Trunnion Mountings – Cylinders require lubricated bearing blocks with minimum bearing clearances. Bearing blocks should be carefully aligned and rigidly mounted so the trunnions will not be subjected to bending moments. The rod end should also be pivoted with the pivot pin in line and parallel to axis of the trunnion pins.

**3.2.6** – Clevis Mountings – Cylinders should be pivoted at both ends with centerline of pins parallel to each other. After cylinder is mounted, be sure to check to assure that the cylinder is free to swing through its working arc without interference from other machine parts.

## 4.0 Cylinder and Accessories Maintenance, Troubleshooting and Replacement

**4.1 Storage** – At times cylinders are delivered before a customer is ready to install them and must be stored for a period of time. When storage is required the following procedures are recommended.

**4.1.1** – Store the cylinders in an indoor area which has a dry, clean and noncorrosive atmosphere. Take care to protect the cylinder from both internal corrosion and external damage.

**4.1.2** – Whenever possible cylinders should be stored in a vertical position (piston rod up). This will minimize corrosion due to possible condensation which could occur inside the cylinder. This will also minimize seal damage.

**4.1.3** – Port protector plugs should be left in the cylinder until the time of installation.

**4.1.4** – If a cylinder is stored full of hydraulic fluid, expansion of the fluid due to temperature changes must be considered. Installing a check valve with free flow out of the cylinder is one method.

**4.1.5** – When cylinders are mounted on equipment that is stored outside for extended periods, exposed unpainted surfaces, e.g. piston rod, must be coated with a rust-inhibiting compound to prevent corrosion.

## 4.2 Cylinder Trouble Shooting

### 4.2.1 – External Leakage

**4.2.1.1** – Rod seal leakage can generally be traced to worn or damaged seals. Examine the piston rod for dents, gouges or score marks, and replace piston rod if surface is rough.

Rod seal leakage could also be traced to gland wear. If clearance is excessive, replace rod bushing and seal. Rod seal leakage can also be traced to seal deterioration. If seals are soft or gummy or brittle, check compatibility of seal material with lubricant used if air cylinder, or operating fluid if hydraulic cylinder. Replace with seal material, which is compatible with these fluids. If the seals are hard or have lost elasticity, it is usually due to exposure to temperatures in excess of 165°F. (+74°C). Shield the cylinder from the heat source to limit temperature to 350°F. (+177°C.) and replace with fluorocarbon seals.

**4.2.1.2** – Cylinder body seal leak can generally be traced to loose tie rods. Torque the tie rods to manufacturer's recommendation for that bore size.

Excessive pressure can also result in cylinder body seal leak. Determine maximum pressure to rated limits. Replace seals and retorquer tie rods as in paragraph above. Excessive pressure can also result in cylinder body seal leak. Determine if the pressure rating of the cylinder has been exceeded. If so, bring the operating pressure down to the rating of the cylinder and have the tie rods replaced.

Pinched or extruded cylinder body seal will also result in a leak. Replace cylinder body seal and retorquer as in paragraph above.

Cylinder body seal leakage due to loss of radial squeeze which shows up in the form of flat spots or due to wear on the O.D. or I.D. – Either of these are symptoms of normal wear due to high cycle rate or length of service. Replace seals as per paragraph above.

### 4.2.2 – Internal Leakage

**4.2.2.1** – Piston seal leak (by-pass) 1 to 3 cubic inches per minute leakage is considered normal for piston ring construction. Virtually no static leak with lipseal type seals on piston should be expected. Piston seal wear is a usual cause of piston seal leakage. Replace seals as required.

**4.2.2.2** – With lipseal type piston seals excessive back pressure due to over-adjustment of speed control valves could be a direct cause of rapid seal wear. Contamination in a hydraulic system can result in a scored cylinder bore, resulting in rapid seal wear. In either case, replace piston seals as required.

**4.2.2.3** – What appears to be piston seal leak, evidenced by the fact that the cylinder drifts, is not always traceable to the piston. To make sure, it is suggested that one side of the cylinder piston be pressurized and the fluid line at the opposite port be disconnected. Observe leakage. If none is evident, seek the cause of cylinder drift in other component parts in the circuit.

### 4.2.3 – Cylinder Fails to Move the Load

**4.2.3.1** – Pneumatic or hydraulic pressure is too low. Check the pressure at the cylinder to make sure it is to circuit requirements.

**4.2.3.2** – Piston Seal Leak – Operate the valve to cycle the cylinder and observe fluid flow at valve exhaust ports at end of cylinder stroke. Replace piston seals if flow is excessive.

**4.2.3.3** – Cylinder is undersized for the load – Replace cylinder with one of a larger bore size.

### 4.3 Erratic or Chatter Operation

**4.3.1** – Excessive friction at rod gland or piston bearing due to load misalignment – Correct cylinder-to-load alignment.

**4.3.2** – Cylinder sized too close to load requirements – Reduce load or install larger cylinder.

**4.3.3** – Erratic operation could be traced to the difference between static and kinetic friction. Install speed control valves to provide a back pressure to control the stroke.

### 4.4 Cylinder Modifications, Repairs, or Failed Component

– Cylinders as shipped from the factory are not to be disassembled and or modified. If cylinders require modifications, these modifications must be done at company locations or by the Company's certified facilities. The Cylinder Division Engineering Department must be notified in the event of a mechanical fracture or permanent deformation of any cylinder component (excluding seals). This includes a broken piston rod, tie rod, mounting accessory or any other cylinder component. The notification should include all operation and application details. This information will be used to provide an engineered repair that will prevent recurrence of the failure.

It is allowed to disassemble cylinders for the purpose of replacing seals or seal assemblies. However, this work must be done by strictly following all the instructions provided with the seal kits.

# Miller JV Series Medium-Duty Hydraulic Cylinders

---

Notes

## NOTES

# Miller JV Series Medium-Duty Hydraulic Cylinders

Offer of Sale

## Offer of Sale

The items described in this document and other documents and descriptions provided by Parker Hannifin Corporation, its subsidiaries and its authorized distributors ("Seller") are hereby offered for sale at prices to be established by Seller. This offer and its acceptance by any customer ("Buyer") shall be governed by all of the following Terms and Conditions. Buyer's order for any item described in its document, when communicated to Seller verbally, or in writing, shall constitute acceptance of this offer. All goods, services or work described will be referred to as "Products".

**1. Terms and Conditions.** Seller's willingness to offer Products, or accept an order for Products, to or from Buyer is subject to these Terms and Conditions or any newer version of the terms and conditions found on-line at [www.parker.com/salesterms/](http://www.parker.com/salesterms/). Seller objects to any contrary or additional terms or conditions of Buyer's order or any other document issued by Buyer.

**2. Price Adjustments; Payments.** Prices stated on Seller's quote or other documentation offered by Seller are valid for 30 days, and do not include any sales, use, or other taxes unless specifically stated. Unless otherwise specified by Seller, all prices are F.C.A. Seller's facility (INCOTERMS 2010). Payment is subject to credit approval and is due 30 days from the date of invoice or such other term as required by Seller's Credit Department, after which Buyer shall pay interest on any unpaid invoices at the rate of 1.5% per month or the maximum allowable rate under applicable law.

**3. Delivery Dates; Title and Risk; Shipment.** All delivery dates are approximate and Seller shall not be responsible for any damages resulting from any delay. Regardless of the manner of shipment, title to any products and risk of loss or damage shall pass to Buyer upon placement of the products with the shipment carrier at Seller's facility. Unless otherwise stated, Seller may exercise its judgment in choosing the carrier and means of delivery. No deferment of shipment at Buyers' request beyond the respective dates indicated will be made except on terms that will indemnify, defend and hold Seller harmless against all loss and additional expense. Buyer shall be responsible for any additional shipping charges incurred by Seller due to Buyer's acts or omissions.

**4. Warranty.** Seller warrants that the Products sold hereunder shall be free from defects in material or workmanship for a period of eighteen months from the date of delivery to Buyer. The prices charged for Seller's products are based upon the exclusive limited warranty stated above, and upon the following disclaimer: **DISCLAIMER OF WARRANTY: THIS WARRANTY COMPRISES THE SOLE AND ENTIRE WARRANTY PERTAINING TO PRODUCTS PROVIDED HEREUNDER. SELLER DISCLAIMS ALL OTHER WARRANTIES, EXPRESS AND IMPLIED, INCLUDING DESIGN, MERCHANTABILITY AND FITNESS FOR A PARTICULAR PURPOSE.**

**5. Claims; Commencement of Actions.** Buyer shall promptly inspect all Products upon delivery. No claims for shortages will be allowed unless reported to the Seller within 10 days of delivery. No other claims against Seller will be allowed unless asserted in writing within 30 days after delivery. Buyer shall notify Seller of any alleged breach of warranty within 30 days after the date the defect is or should have been discovered by Buyer. Any action based upon breach of this agreement or upon any other claim arising out of this sale (other than an action by Seller for an amount due on any invoice) must be commenced within 12 months from the date of the breach without regard to the date breach is discovered.

**6. LIMITATION OF LIABILITY.** UPON NOTIFICATION, SELLER WILL, AT ITS OPTION, REPAIR OR REPLACE A DEFECTIVE PRODUCT, OR REFUND THE PURCHASE PRICE. IN NO EVENT SHALL SELLER BE LIABLE TO BUYER FOR ANY SPECIAL, INDIRECT, INCIDENTAL OR CONSEQUENTIAL DAMAGES ARISING OUT OF, OR AS THE RESULT OF, THE SALE, DELIVERY, NON-DELIVERY, SERVICING, USE OR LOSS OF USE OF THE PRODUCTS OR ANY PART THEREOF, OR FOR ANY CHARGES OR EXPENSES OF ANY NATURE INCURRED WITHOUT SELLER'S WRITTEN CONSENT, EVEN IF SELLER HAS BEEN NEGLIGENT, WHETHER IN CONTRACT, TORT OR OTHER LEGAL THEORY. IN NO EVENT SHALL SELLER'S LIABILITY UNDER ANY CLAIM MADE BY BUYER EXCEED THE PURCHASE PRICE OF THE PRODUCTS.

**7. User Responsibility.** The user, through its own analysis and testing, is solely responsible for making the final selection of the system and Product and assuring that all performance, endurance, maintenance, safety and warning requirements of the application are met. The user must analyze all aspects of the application and follow applicable industry standards and Product information. If Seller provides Product or system options, the user is responsible for determining that such data and specifications are suitable and sufficient for all applications and reasonably foreseeable uses of the Products or systems.

**8. Loss to Buyer's Property.** Any designs, tools, patterns, materials, drawings, confidential information or equipment furnished by Buyer or any other items which become Buyer's property, will be considered obsolete and may be destroyed by Seller after two consecutive years have elapsed without Buyer ordering the items manufactured using such property. Seller shall not be responsible for any loss or damage to such property while it is in Seller's possession or control.

**9. Special Tooling.** A tooling charge may be imposed for any special tooling, including without limitation, dies, fixtures, molds and patterns, acquired to manufacture Products. Such special tooling shall be and remain Seller's property notwithstanding payment of any charges by Buyer. In no event will Buyer acquire any interest in apparatus belonging to Seller which is utilized in the manufacture of the Products, even if such apparatus has been specially converted or adapted for such manufacture and notwithstanding any charges paid by Buyer. Unless otherwise agreed, Seller shall have the right to alter, discard or otherwise dispose of any special tooling or other property in its sole discretion at any time.

**10. Buyer's Obligation; Rights of Seller.** To secure payment of all sums due or otherwise, Seller shall retain a security interest in the goods delivered and this agreement shall be deemed a Security Agreement under the Uniform Commercial Code. Buyer authorizes Seller as its attorney to execute and file on Buyer's behalf all documents Seller deems necessary to perfect its security interest.

**11. Improper use and Indemnity.** Buyer shall indemnify, defend, and hold Seller harmless from any claim, liability, damages, lawsuits, and costs (including attorney fees), whether for personal injury, property damage, patent, trademark or copyright

infringement or any other claim, brought by or incurred by Buyer, Buyer's employees, or any other person, arising out of: (a) improper selection, improper application or other misuse of Products purchased by Buyer from Seller; (b) any act or omission, negligent or otherwise, of Buyer; (c) Seller's use of patterns, plans, drawings, or specifications furnished by Buyer to manufacture Product; or (d) Buyer's failure to comply with these terms and conditions. Seller shall not indemnify Buyer under any circumstance except as otherwise provided.

**12. Cancellations and Changes.** Orders shall not be subject to cancellation or change by Buyer for any reason, except with Seller's written consent and upon terms that will indemnify, defend and hold Seller harmless against all direct, incidental and consequential loss or damage. Seller may change product features, specifications, designs and availability with notice to Buyer.

**13. Limitation on Assignment.** Buyer may not assign its rights or obligations under this agreement without the prior written consent of Seller.

**14. Force Majeure.** Seller does not assume the risk and shall not be liable for delay or failure to perform any of Seller's obligations by reason of circumstances beyond the reasonable control of Seller (hereinafter "Events of Force Majeure"). Events of Force Majeure shall include without limitation: accidents, strikes or labor disputes, acts of any government or government agency, acts of nature, delays or failures in delivery from carriers or suppliers, shortages of materials, or any other cause beyond Seller's reasonable control.

**15. Waiver and Severability.** Failure to enforce any provision of this agreement will not waive that provision nor will any such failure prejudice Seller's right to enforce that provision in the future. Invalidation of any provision of this agreement by legislation or other rule of law shall not invalidate any other provision herein. The remaining provisions of this agreement will remain in full force and effect.

**16. Termination.** Seller may terminate this agreement for any reason and at any time by giving Buyer thirty (30) days written notice of termination. Seller may immediately terminate this agreement, in writing, if Buyer: (a) commits a breach of any provision of this agreement (b) appoints a trustee, receiver or custodian for all or any part of Buyer's property (c) files a petition for relief in bankruptcy on its own behalf, or by a third party (d) makes an assignment for the benefit of creditors, or (e) dissolves or liquidates all or a majority of its assets.

**17. Governing Law.** This agreement and the sale and delivery of all Products hereunder shall be deemed to have taken place in and shall be governed and construed in accordance with the laws of the State of Ohio, as applicable to contracts executed and wholly performed therein and without regard to conflicts of laws principles. Buyer irrevocably agrees and consents to the exclusive jurisdiction and venue of the courts of Cuyahoga County, Ohio with respect to any dispute, controversy or claim arising out of or relating to this agreement.

**18. Indemnity for Infringement of Intellectual Property Rights.** Seller shall have no liability for infringement of any patents, trademarks, copyrights, trade dress, trade secrets or similar rights except as provided in this Section. Seller will defend and indemnify Buyer against allegations of infringement of U.S. patents, U.S. trademarks, copyrights, trade dress and trade secrets ("Intellectual Property Rights"). Seller will defend at its expense and will pay the cost of any settlement or damages awarded in an action brought against Buyer based on an allegation that a Product sold pursuant to this Agreement infringes the Intellectual Property Rights of a third party. Seller's obligation to defend and indemnify Buyer is contingent on Buyer notifying Seller within ten (10) days after Buyer becomes aware of such allegations of infringement, and Seller having sole control over the defense of any allegations or actions including all negotiations for settlement or compromise. If a Product is subject to a claim that it infringes the Intellectual Property Rights of a third party, Seller may, at its sole expense and option, procure for Buyer the right to continue using the Product, replace or modify the Product so as to make it noninfringing, or offer to accept return of the Product and return the purchase price less a reasonable allowance for depreciation. Notwithstanding the foregoing, Seller shall have no liability for claims of infringement based on information provided by Buyer, or directed to Products delivered hereunder for which the designs are specified in whole or part by Buyer, or infringements resulting from the modification, combination or use in a system of any Product sold hereunder. The foregoing provisions of this Section shall constitute Seller's sole and exclusive liability and Buyer's sole and exclusive remedy for infringement of Intellectual Property Rights.

**19. Entire Agreement.** This agreement contains the entire agreement between the Buyer and Seller and constitutes the final, complete and exclusive expression of the terms of sale. All prior or contemporaneous written or oral agreements or negotiations with respect to the subject matter are herein merged.

**20. Compliance with Law, U. K. Bribery Act and U.S. Foreign Corrupt Practices Act.** Buyer agrees to comply with all applicable laws and regulations, including both those of the United Kingdom and the United States of America, and of the country or countries of the Territory in which Buyer may operate, including without limitation the U. K. Bribery Act, the U.S. Foreign Corrupt Practices Act ("FCPA") and the U.S. Anti-Kickback Act (the "Anti-Kickback Act"), and agrees to indemnify and hold harmless Seller from the consequences of any violation of such provisions by Buyer, its employees or agents. Buyer acknowledges that they are familiar with the provisions of the U. K. Bribery Act, the FCPA and the Anti-Kickback Act, and certifies that Buyer will adhere to the requirements thereof. In particular, Buyer represents and agrees that Buyer shall not make any payment or give anything of value, directly or indirectly to any governmental official, any foreign political party or official thereof, any candidate for foreign political office, or any commercial entity or person, for the purpose of influencing such person to purchase products or otherwise benefit the business of Seller.

**Miller Fluid Power**

500 South Wolf Road  
Des Plaines, IL 60016 USA  
Tel.: (847) 298-2400  
Fax: (800) 892-1008  
E-mail: MFPCyImktg@parker.com  
Website: www.miller-fluidpower.com

All specifications and information subject to  
change without notice or prior obligation.

Catalog M1130-3  
08/17

