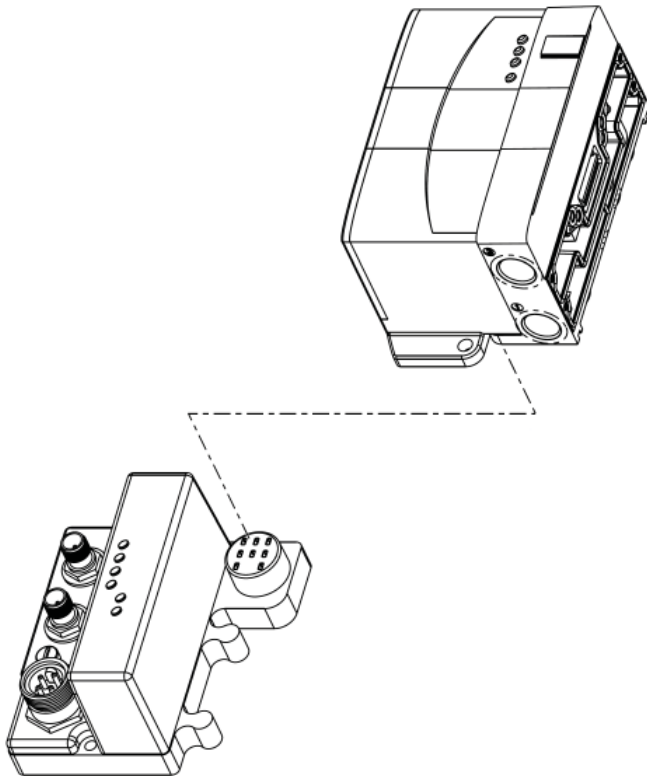


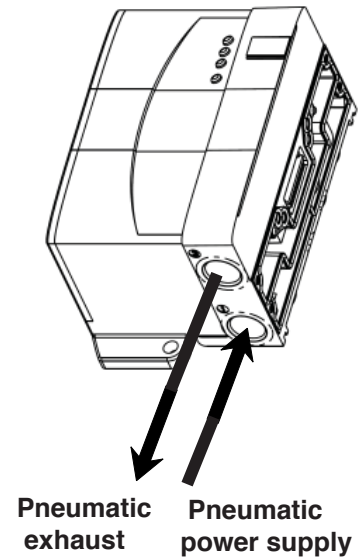


PSML6.AP

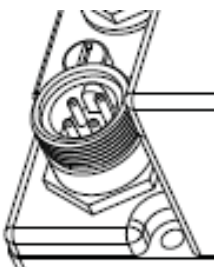
Assembly



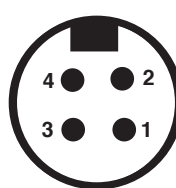
Pneumatic power supply



Electrical power supply (As seen on module)



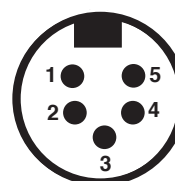
DeviceNet, Ethernet IP & ControNet



7/8" male 4 pin

- Pin 1 - Valve Power 24 VDC
- Pin 2 - Adaptator Power 24 VDC
- Pin 3 - Adaptator Power 0 VDC
- Pin 4 - Valve Power 0 VDC

Profibus DP



7/8" male 5 pin

- Pin 1 - Valve Power 0 VDC
- Pin 2 - Adaptator Power 0 VDC
- Pin 3 - Protective GND
- Pin 4 - Adaptator Power 24 VDC
- Pin 5 - Valve Power 24 VDC

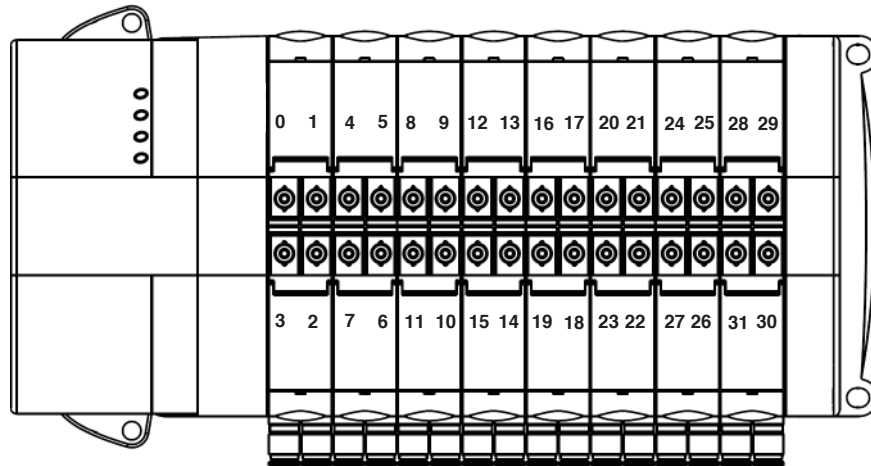
Specifications

EMC / CE mark.	According to EN 61 000-6-2 and to EN 61 000-6-4
Number of outputs	Up to 32 solenoid valves
Operating voltage range	21,6 to 26,4 VDC
Output current rating nom.	50 mA per chanel (100 mA max.) 3,2 A per module
Pointbus current, max.	200 mA
Working temperature	-15 °C to +50 °C
Dust and water protection	IP65

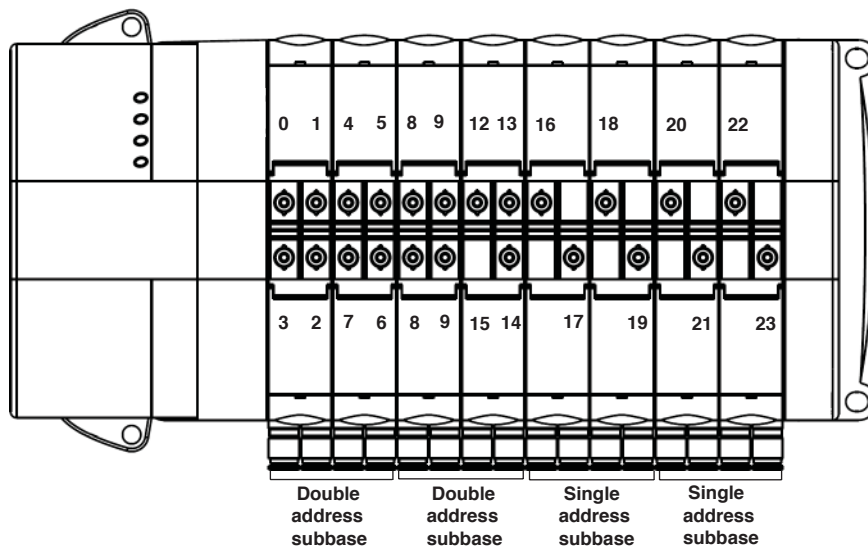


PSML6.AP

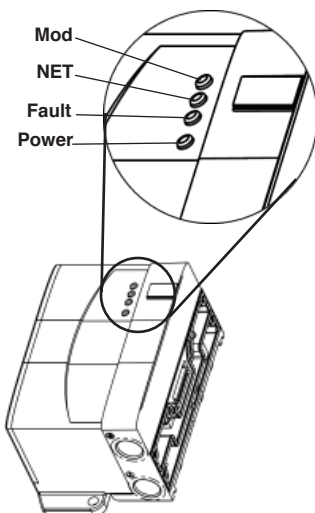
Addressing : Double address subbases



Addressing : Double and single address subbases mixed



Diagnostic :



Mod LED :	Indication
Off	Adaptor power supply missing
Green	OK
Flashing Green	Module need commissioning
Red	Critical fault *
Flashing Red	Minor fault *

Fault LED :	Indication
Off	OK
Red	Valve power missing or short circuit on one of the 32 O

NET LED :	Indication
Off	Adaptor power supply missing
Green	OK
Flashing Green	Initialisation
Red	No communication *
Flashing Red	Connection time out *

Power LED :	Indication
Off	Valve power supply missing
Green	OK

* Switch off/on product for reinit and check software configuration.