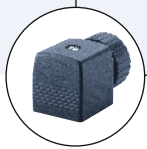


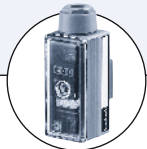
2/2-way-Solenoid Valve for neutral media up to +180°C, G 1/2 - G 1

- Solenoid valve with servo-piston
- Temperatures up to + 180 °C
- For neutral media, incl. steam
- Push-over coil system
- Threaded and flange valve bodies

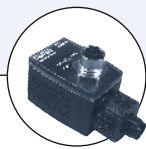
Type 0406 can be combined with...



Type 2508
Cable plug



Type 1078
Timer unit



Type 2511
ASI cable plug

Type 0406 is a pilot controlled solenoid valve with servo-piston and is suitable for media up to +180 °C. A minimum differential pressure of 1 bar is required to fully open the valve.

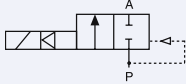
The valve is closed by its own media pressure and spring force without power supply.

Technical data	
Orifice	DN 13 - 25
Body material	Brass, grey cast iron
Coil material	Epoxy
Coil insulation class	H
Seal material	PTFE/graphite
Media	Neutral media such as hot water and steam
Media temperature	-10 to +180 °C
Ambient temperature	max. +55 °C
Viscosity	max. 21 mm ² /s
Voltage tolerance	±10%
Duty cycle	100% continuous rating
Electrical connection	Cable plug for Ø 7 mm cable, acc. to DIN EN 175301-803 Form A (supplied as standard)
Protection class	IP 65 with cable plug
Installation	As required, preferably with actuator upright

Power consumption			
Orifice DN [mm]	Inrush AC [VA]	Hold (hot coil)	
		AC [VA/W]	DC [W]
13-25	21	12/8	8
32-40	35-40	16/12	-

Ordering chart for valves (other versions on request)

All valves with PTFE and graphite-seal, with cable plug (exception see footnote)

Circuit function	Port connection	Orifice [mm]	Kv-value water [m ³ /h]	Pressure range [bar]	Body material	Item no. per voltage/frequency [V/Hz]			
						024/DC	024/50	230/50	
A 2/2-way-valve NC 	G 1/2	13	3.7	1 - 4	Brass	019 310	-	-	
	G 3/4	20	5.0	1 - 12	Brass	-	020 541	061 305	
				1 - 4	Brass	021 004	-	-	
	G 1	25	10.0	1 - 12	Brass	-	019 818	061 303	
				1 - 4	Brass	019 983	-	-	
	Flange acc. to DIN 2501			10.0	1 - 4	GG25	078 255 ■	-	-
					1 - 12	GG25	-	-	022 126

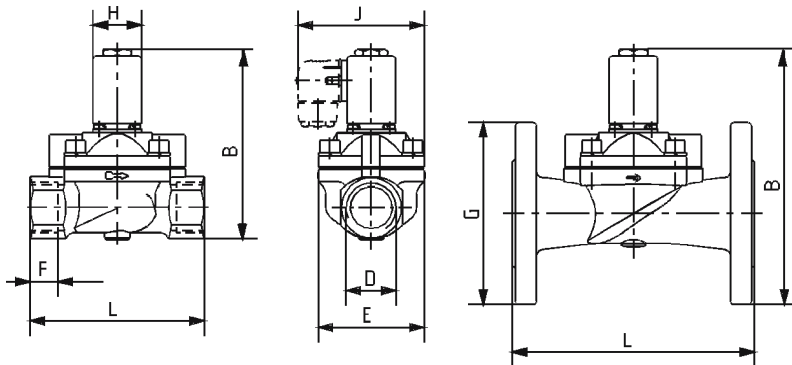
■ Flange version with Item-no. 078 255 (024/DC) supplied without cable plug.

i Further versions on request

⚡ Voltage
110/50, non-standard voltages

🛡️ Approvals
UL, UR, CSA

Dimensions [mm]



DN	D	B	E	F	G	H	J	L
13	G 1/2	113	40	14	-	32	69	65
20	G 3/4	115	60	16	-	32	79	100
25	G 1	125	70	18	-	32	84	115
25	Flange	169	73	-	120	32	86	160

To find your nearest Bürkert facility, click on the orange box → www.burkert.com

In case of special application conditions, please consult for advice.

We reserve the right to make technical changes without notice.
© Christian Bürkert GmbH & Co. KG

0801/1_EU-en_00891629