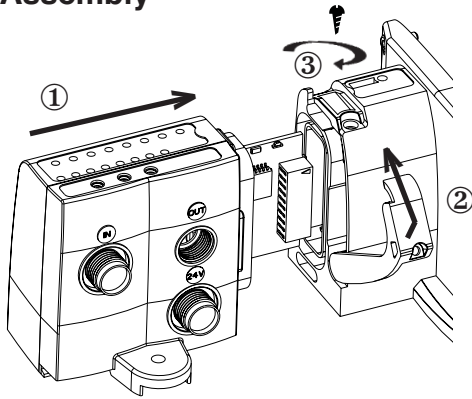
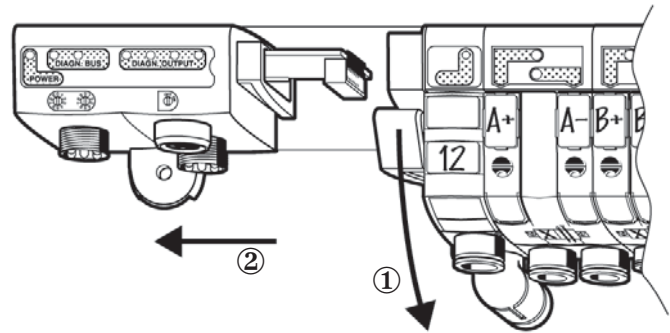


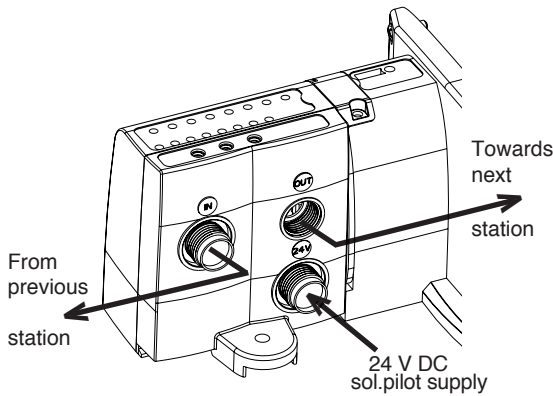
Assembly



Maintenance



Device bus connection



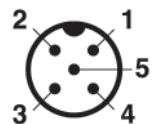
Power supply connector

(as seen on module)

pin OUT

- 1 - not connected
- 2 - not connected
- 3 - 0 V DC solenoid
- 4 - 24 V DC solenoid
- 5 - protective earth (PE)

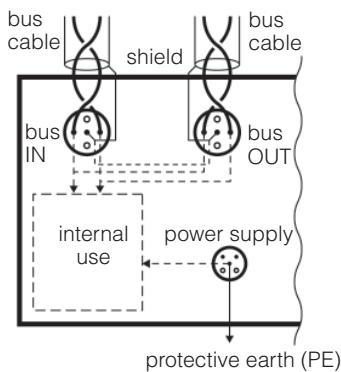
M12
type A



Bus and power supply permutation could create damage.

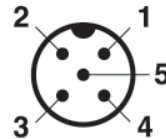
Bus cable connection

Bus cable protection shield connections



bus IN

(as seen on module)



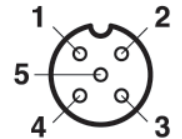
M12 male
A type

pin OUT

- 1 : CAN_SHLD
- 2 : CAN_V+ :
- 24V DC module supply
- 3 : CAN_GND
- 4 : CAN_H
- 5 : CAN_L

bus OUT

(as seen on module)



M12 femelle
A type

Line

termination :

Plug must be mounted on "bus OUT" of the last station
ref : P8BPA00MA

Specifications

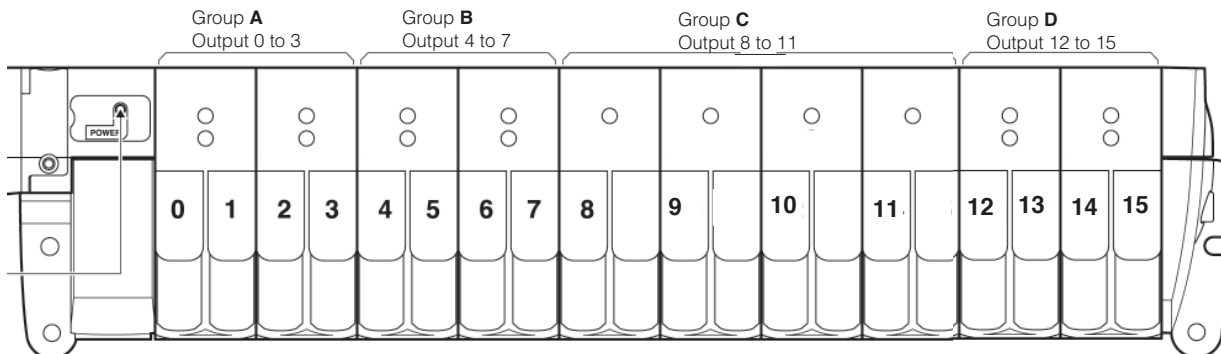
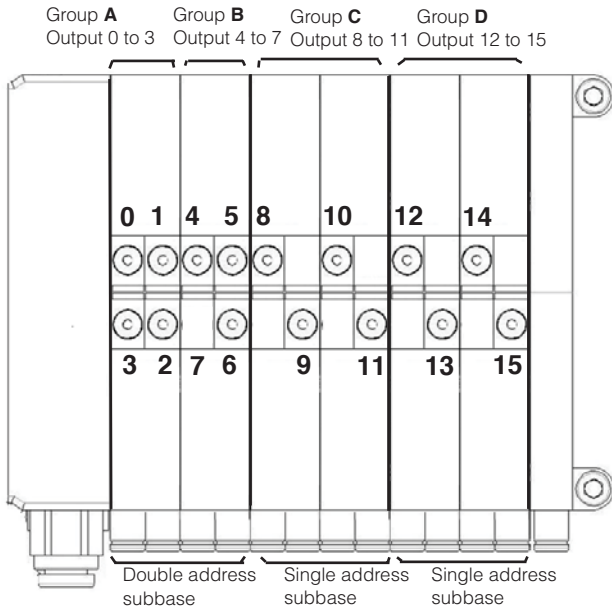
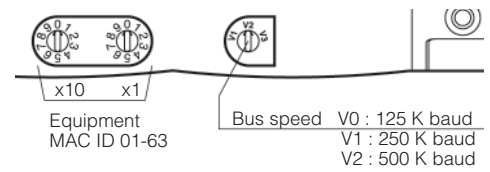
EMC / CE mark.	According to EN 61 000-6-2 and EN 61 000-6-4
Number of solenoids	16
Bus line	According to each bus specification
Module voltage	20 to 30 V DC
Solenoid pilot voltage	21,6 to 26,4 V DC
Module consumption	Max. 1,5 W
Outputs	Overload protection
Ext. output power	Max. 2,5 W



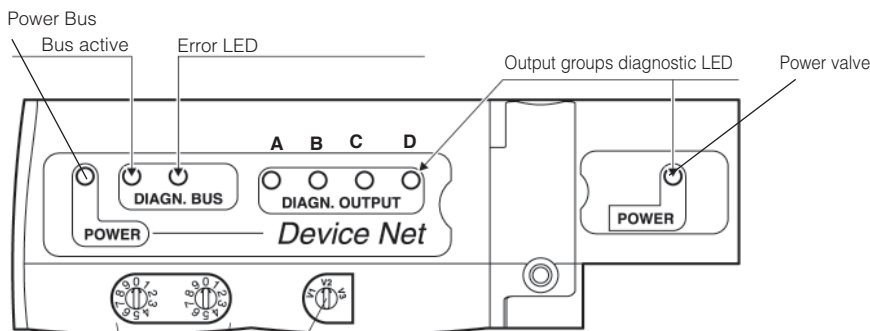
PSMMD . AP P2M2HBVD21600

Addressing

Addressing :
Use the EDs file on Web site : www.parker.com/pneu/moduflex.
Rotary switches enable address (MAC ID) and the transmission speed.



Diagnostic



Power valve	Description
Green	OK
Red	Short Circuit in one of 16 outputs
OFF	Power supply missing

DIAG	A B C or D
OFF	OK
OFF	Short circuit in one of 4 outputs in group

Power Bus	Description
Green	OK
OFF	- Power supply missing - Product failure

Bus active	Description
Green	DeviceNet OK
OFF	- Check wiring
Blinking	- Check addressing - DeviceNet master stop

Error LED	Description
OFF	OK
Red	Reset power supply