



# **“F” & “H” ISO Series Cross-Reference Guide**

*Catalog “F” & “H” ISO-E  
(Revised August 8, 2006)*





<b>iSYS ISO Series</b> .....	4-43
Features .....	4-5
Common Part Numbers .....	6-9
Model Number Indexes .....	10-14
Manifolds & Subbases .....	15-19
Add-A-Fold Assemblies .....	20-22
End Plates / Accessories .....	23-24
Collective Wiring System .....	25-26
Electrical Connections .....	27-28
Sandwich Flow Controls .....	29
Sandwich Regulators .....	30-37
Technical Information .....	38-39
Service & Repair Kits .....	40-42
Fittings .....	43
<b>“H” ‘B’ ISO Series</b> .....	45-71
ISO Valves with BSPP EO / EO2 /Prestolok Fittings .....	43
Basic Features .....	45
<b>5599-2 Sizes 1, 2, 3 – Common Part Numbers and Model Index</b> .....	46-47
<b>5599-1 AUTO Sizes 1, 2, 3 – Common Part Numbers and Model Index</b> .....	48-49
<b>5599-1 CNOMO Sizes 1, 2, 3 – Common Part Numbers and Model Index</b> .....	50-51
Compact / VDMA Manifolds / Subbases and Kits .....	52-53
Hi-Flow Manifold / Subbase and Kits .....	54-56
Collective Wiring System .....	57-59
Ordering Information, Add-A-Fold Assemblies .....	60
Sandwich Flow Controls .....	61
Sandwich Regulators .....	62-66
Selector Regulator Technical Information .....	67
Electrical / Automotive Connectors .....	68-69
Technical Information .....	70
Service & Repair Kits .....	71

*(Continued on next page.)*

** WARNING**

FAILURE OR IMPROPER SELECTION OR IMPROPER USE OF THE PRODUCTS AND/OR SYSTEMS DESCRIBED HEREIN OR RELATED ITEMS CAN CAUSE DEATH, PERSONAL INJURY AND PROPERTY DAMAGE.

This document and other information from Parker Hannifin Corporation, its subsidiaries and authorized distributors provide product and/or system options for further investigation by users having technical expertise. It is important that you analyze all aspects of your application, including consequences of any failure and review the information concerning the product or system in the current product catalog. Due to the variety of operating conditions and applications for these products or systems, the user, through its own analysis and testing, is solely responsible for making the final selection of the products and systems and assuring that all performance, safety and warning requirements of the application are met.

The products described herein, including without limitation, product features, specifications, designs, availability and pricing, are subject to change by Parker Hannifin Corporation and its subsidiaries at any time without notice.

**Offer of Sale**

The items described in this document are hereby offered for sale by Parker Hannifin Corporation, its subsidiaries or its authorized distributors. This offer and its acceptance are governed by the provisions stated on the separate page of this document entitled “Offer of Sale”.

## "F" & "H" Series Cross-Reference Guide

<b>"F" Series</b> .....	72-94
Basic Features .....	72
Common Part Numbers .....	73-74
Model Number Index .....	75
Manifold and Subbase Kit Ordering Code .....	76
Accessories .....	77-78
Collective Wiring System .....	79-81
Add-A-Fold Assemblies .....	82
Sandwich Flow Controls .....	83
Sandwich Regulators .....	84-90
Technical Information .....	91-92
Service & Repair Kits .....	93
Automotive Connections .....	94
<b>"H" 'A' ISO Series</b> .....	96-127
<b>5599-2 Sizes 1, 2, 3</b> – Common Part Numbers and Model Index .....	96-97
<b>5599-1 AUTO Sizes 1, 2, 3</b> – Common Part Numbers and Model Index .....	98-99
<b>5599-1-DIN Sizes 1, 2, 3</b> – Common Part Numbers and Model Index .....	100-101
Hi-Flow Manifold / Subbases and Kits .....	102-104
Collective Wiring System .....	105-107
Compact / VDMA Manifolds/Subbases and Kits .....	108-109
Add-A-Fold Ordering .....	110
Sandwich Flow Controls .....	111
Sandwich Regulators .....	112-117
<b>5599-2 &amp; 5599-1 Size 4</b> – Common Part Numbers and Model Index .....	118-119
Manifold/Subbase .....	120
Hi-Flow Manifolds/Subbase .....	121
Electrical Connections .....	122
Automotive Connection .....	123
Technical Information .....	124-126
Service and Repair Kits .....	127
<b>Cross Reference Guide</b>	
"H" Series to isys replacement .....	128-155
"F" Series to isys replacement .....	156-192
End Plates / Collective Wiring / Kits .....	193-201
Offer of Sale .....	203

**Bold text part numbers are standard.**

Standard text part numbers may have longer lead times.



# 15407-2

## Specifications

- HB** HB: 0.55 Cv (18mm)
- HA** HA: 1.1 Cv (26mm)

## Materials of Construction

- End Caps: PBT
- Fasteners: Zinc Plated Steel
- Valve Body: Die Cast Aluminum
- Coils: Thermoset Plastic

## Operating Pressure

- Vacuum to 145 PSIG
- Minimum Operating Pressure
  - 2-Position: 20 PSI
  - 3-Position: 30 PSI

## Ports

- NPT and BSPP “G” Standard

## Manifolds

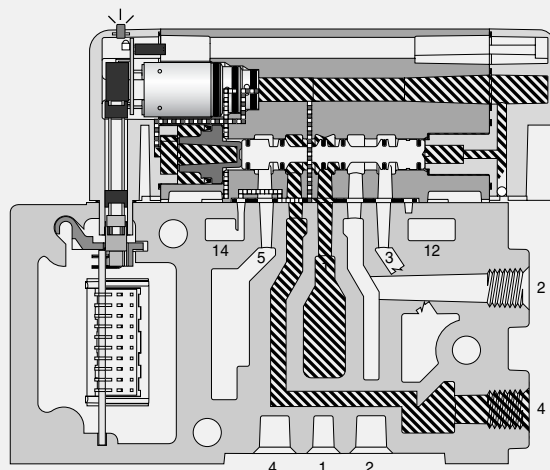
- Terminal Block Wiring (HA Only)
- Collective Wiring
  - 25-Pin, D-Sub
  - 19-Pin Round
  - 16 Point Terminal Strip
  - M23, 12-Pin
  - isysnet Field Bus

## Certification / Approval

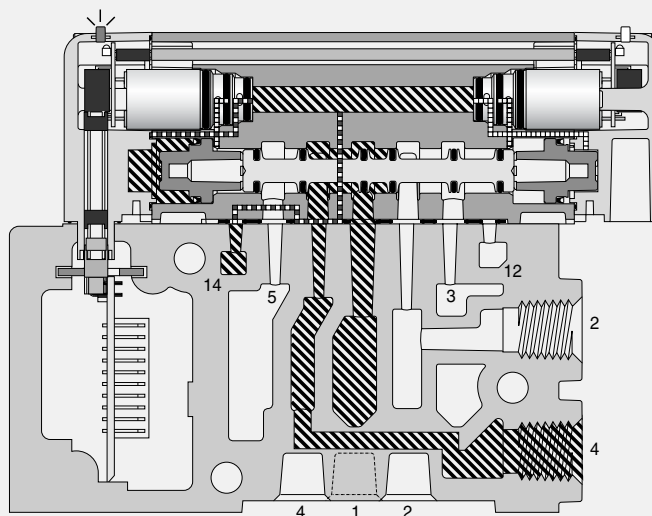
- Approved to be CE Marked
- CSA / C-US Approved
- NEMA 4
- IP65
- Manifold and Subbase Ports Meet ISO 1179 Specifications

## Solenoids

- Bi-Polar
- Surge Suppression (Standard)
- Low Watt – 1.0, 24VDC, 2.0VA, 120VAC
- Indicator Lights



**15407-2 18mm Single Solenoid Energized Internal Pilot Manifold Mounted**



**15407-2 26mm Double Solenoid 12 End Energized External Pilot Manifold Mounted**





**5599-2 5599-1**

**Specifications**

- H1 H1: 1.5 Cv
- H2 H2: 3.0 Cv
- H3 H3: 6.0 Cv

**Materials of Construction**

- End Caps: PBT
- Fasteners: Zinc Plated Steel
- Valve Body: Die Cast Aluminum
- Coils: Thermoset Plastic

**Operating Pressure**

- Vacuum to 145 PSIG
- Minimum Operating Pressure
  - 2-Position: 25 PSI
  - 3-Position: 30 PSI

**Ports**

- NPT and BSPP “G”

**Manifolds**

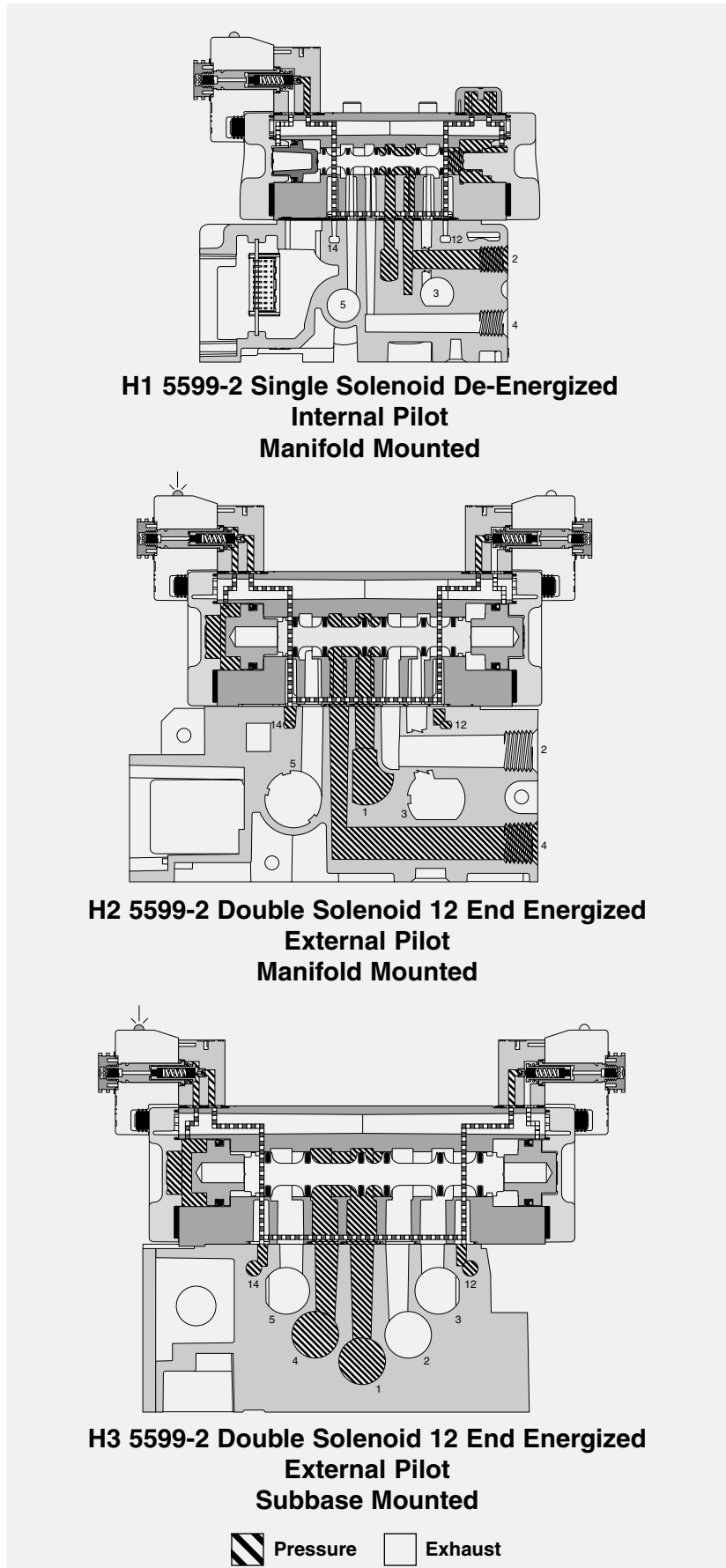
- Flying Leads
- Terminal Block Wiring
- Collective Wiring
  - 25-Pin, D-Sub
  - 19-Pin Round
  - M23, 12-Pin
  - isysnet Field Bus

**Certification / Approval**

- Approved to be CE Marked
- CSA / C-US Approved
- NEMA 4
- IP65
- Manifold and Subbase Ports Meet ISO 1179 Specifications

**Solenoids**

- Bi-Polar
- Surge Suppression (On Lighted Coils)
- Low Watt – 3.0, 24VDC, 4.5VA, 120VAC
- Indicator Lights, 24VDC & 120VAC



**H1 5599-2 Single Solenoid De-Energized Internal Pilot Manifold Mounted**

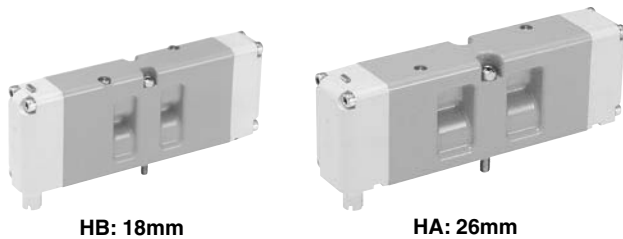
**H2 5599-2 Double Solenoid 12 End Energized External Pilot Manifold Mounted**

**H3 5599-2 Double Solenoid 12 End Energized External Pilot Subbase Mounted**

Pressure Exhaust

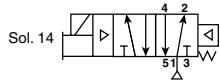


**Single Solenoid**  
**2-Position**



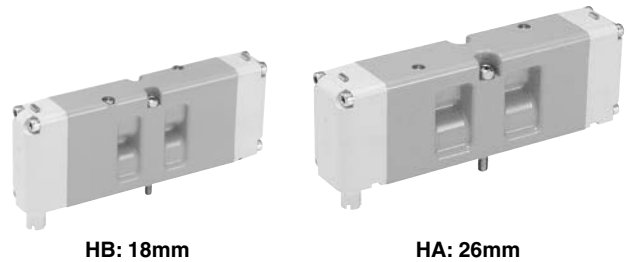
**HB: 18mm**

**HA: 26mm**



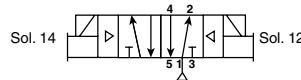
<b>HB</b>	<b>HBEVXBG023A</b>	120VAC	0.55 Cv
	<b>HBEVXBG0G9A</b>	24VDC	
<b>HA</b>	<b>HAEVXBG023A</b>	120VAC	1.1 Cv
	<b>HAEVXBG0G9A</b>	24VDC	

**Double Solenoid**  
**2-Position**



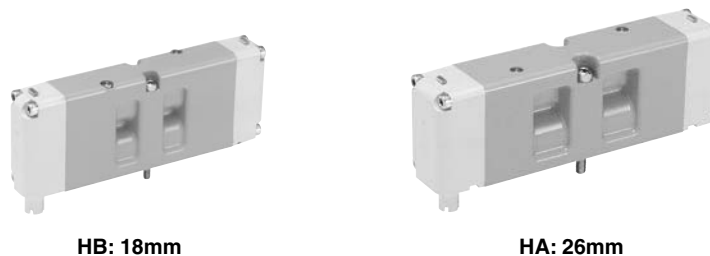
**HB: 18mm**

**HA: 26mm**



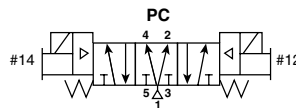
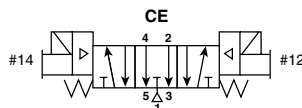
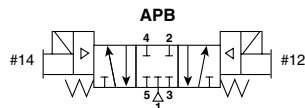
<b>HB</b>	<b>HB2VXBG023A</b>	120VAC	0.55 Cv
	<b>HB2VXBG0G9A</b>	24VDC	
<b>HA</b>	<b>HA2VXBG023A</b>	120VAC	1.1 Cv
	<b>HA2VXBG0G9A</b>	24VDC	

**Double Solenoid**  
**3-Position APB**  
**3-Position CE**  
**3-Position PC**



**HB: 18mm**

**HA: 26mm**

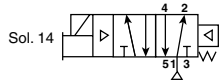
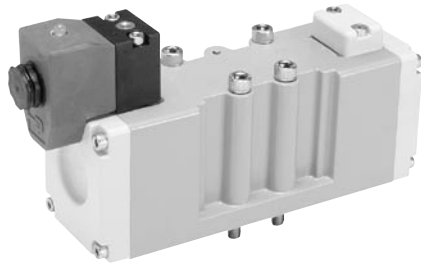


<b>APB</b>			
<b>HB</b>	<b>HB5VXBG023A</b>	120VAC	0.50 Cv
	<b>HB5VXBG0G9A</b>	24VDC	
<b>HA</b>	<b>HA5VXBG023A</b>	120VAC	1.0 Cv
	<b>HA5VXBG0G9A</b>	24VDC	
<b>CE</b>			
<b>HB</b>	<b>HB6VXBG023A</b>	120VAC	0.50 Cv
	<b>HB6VXBG0G9A</b>	24VDC	
<b>HA</b>	<b>HA6VXBG023A</b>	120VAC	1.0 Cv
	<b>HA6VXBG0G9A</b>	24VDC	

<b>PC</b>			
<b>HB</b>	<b>HB7VXBG023A</b>	120VAC	0.50 Cv
	<b>HB7VXBG0G9A</b>	24VDC	
<b>HA</b>	<b>HA7VXBG023A</b>	120VAC	1.0 Cv
	<b>HA7VXBG0G9A</b>	24VDC	

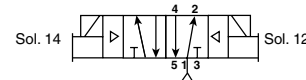
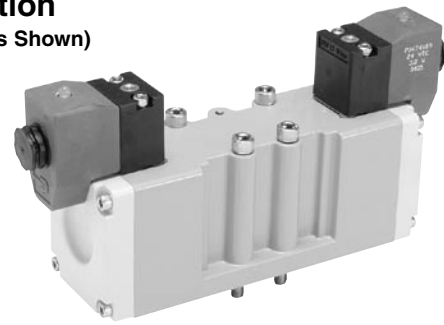


**Single Solenoid**  
**2-Position, Spring / Air Return**  
 (H2 Series Shown)



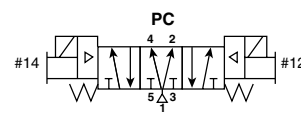
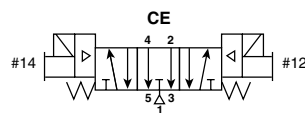
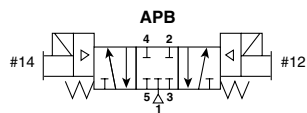
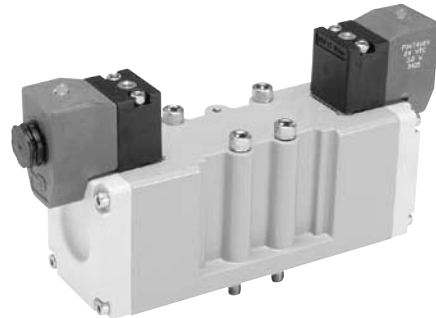
<b>H1</b>	<b>H1EVXBG023C</b> <b>H1EVXBG0B9C</b>	120VAC 24VDC	1.5 Cv
<b>H2</b>	<b>H2EVXBG023C</b> <b>H2EVXBG0B9C</b>	120VAC 24VDC	3.0 Cv
<b>H3</b>	<b>H3EVXBG023C</b> <b>H3EVXBG0B9C</b>	120VAC 24VDC	6.0 Cv

**Double Solenoid**  
**2-Position**  
 (H2 Series Shown)



<b>H1</b>	<b>H12VXBG023C</b> <b>H12VXBG0B9C</b>	120VAC 24VDC	1.5 Cv
<b>H2</b>	<b>H22VXBG023C</b> <b>H22VXBG0B9C</b>	120VAC 24VDC	3.0 Cv
<b>H3</b>	<b>H32VXBG023C</b> <b>H32VXBG0B9C</b>	120VAC 24VDC	6.0 Cv

**Double Solenoid**  
**3-Position APB**  
**3-Position CE**  
**3-Position PC**  
 (H2 Series Shown)



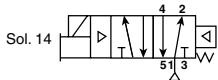
<b>APB</b>			
<b>H1</b>	<b>H15VXBG023C</b> <b>H15VXBG0B9C</b>	120VAC 24VDC	1.2 Cv
<b>H2</b>	<b>H25VXBG023C</b> <b>H25VXBG0B9C</b>	120VAC 24VDC	2.8 Cv
<b>H3</b>	<b>H35VXBG023C</b> <b>H35VXBG0B9C</b>	120VAC 24VDC	5.0 Cv
<b>CE</b>			
<b>H1</b>	<b>H16VXBG023C</b> <b>H16VXBG0B9C</b>	120VAC 24VDC	1.2 Cv
<b>H2</b>	<b>H26VXBG023C</b> <b>H26VXBG0B9C</b>	120VAC 24VDC	2.8 Cv
<b>H3</b>	<b>H36VXBG023C</b> <b>H36VXBG0B9C</b>	120VAC 24VDC	5.0 Cv

<b>PC</b>			
<b>H1</b>	<b>H17VXBG023C</b> <b>H17VXBG0B9C</b>	120VAC 24VDC	1.2 Cv
<b>H2</b>	<b>H27VXBG023C</b> <b>H27VXBG0B9C</b>	120VAC 24VDC	2.8 Cv
<b>H3</b>	<b>H37VXBG023C</b> <b>H37VXBG0B9C</b>	120VAC 24VDC	5.0 Cv



## Single Solenoid

**2-Position, Spring / Air Return**  
(H2 Series Shown)

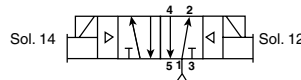
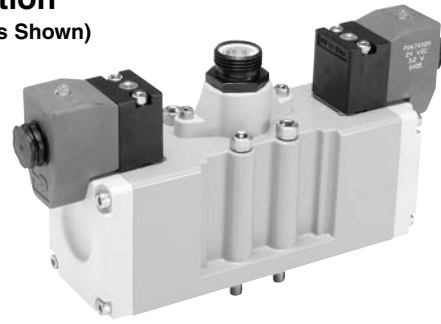


<b>H1</b>	<b>H1EWXBG323000*C</b>	120VAC	1.5 Cv
	<b>H1EWXBG2B9000*C</b>	24VDC	
<b>H2</b>	<b>H2EWXBG323000*C</b>	120VAC	3.0 Cv
	<b>H2EWXBG2B9000*C</b>	24VDC	
<b>H3</b>	<b>H3EWXBG323000*C</b>	120VAC	6.0 Cv
	<b>H3EWXBG2B9000*C</b>	24VDC	

H##WXBG323000\*C = 5-Pin Automotive Mini Straight Connector  
H##WXBG2B9000\*C = 4-Pin M12 Micro Straight Connector

## Double Solenoid

**2-Position**  
(H2 Series Shown)

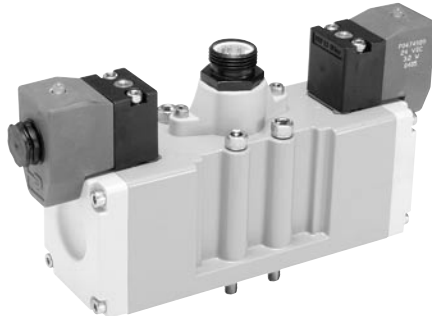


<b>H1</b>	<b>H12WXBG323000*C</b>	120VAC	1.5 Cv
	<b>H12WXBG2B9000*C</b>	24VDC	
<b>H2</b>	<b>H22WXBG323000*C</b>	120VAC	3.0 Cv
	<b>H22WXBG2B9000*C</b>	24VDC	
<b>H3</b>	<b>H32WXBG323000*C</b>	120VAC	6.0 Cv
	<b>H32WXBG2B9000*C</b>	24VDC	

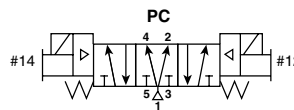
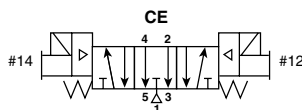
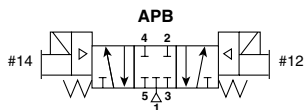
H##WXBG323000\*C = 5-Pin Automotive Mini Straight Connector  
H##WXBG2B9000\*C = 4-Pin M12 Micro Straight Connector

## Double Solenoid

**3-Position APB**  
**3-Position CE**  
**3-Position PC**  
(H2 Series Shown)



**\* Specify Automotive Wiring Code**  
C - Chrysler  
F - SAE / Ford  
G - GM



<b>APB</b>			
<b>H1</b>	<b>H15WXBG323000*C</b>	120VAC	1.2 Cv
	<b>H15WXBG2B9000*C</b>	24VDC	
<b>H2</b>	<b>H25WXBG323000*C</b>	120VAC	2.8 Cv
	<b>H25WXBG2B9000*C</b>	24VDC	
<b>H3</b>	<b>H35WXBG323000*C</b>	120VAC	5.0 Cv
	<b>H35WXBG2B9000*C</b>	24VDC	
<b>CE</b>			
<b>H1</b>	<b>H16WXBG323000*C</b>	120VAC	1.2 Cv
	<b>H16WXBG2B9000*C</b>	24VDC	
<b>H2</b>	<b>H26WXBG323000*C</b>	120VAC	2.8 Cv
	<b>H26WXBG2B9000*C</b>	24VDC	
<b>H3</b>	<b>H36WXBG323000*C</b>	120VAC	5.0 Cv
	<b>H36WXBG2B9000*C</b>	24VDC	

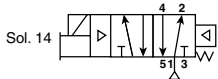
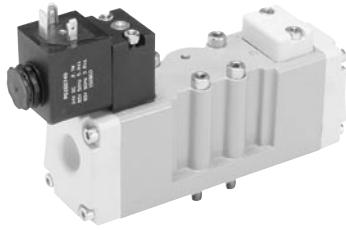
<b>PC</b>			
<b>H1</b>	<b>H17WXBG323000*C</b>	120VAC	1.2 Cv
	<b>H17WXBG2B9000*C</b>	24VDC	
<b>H2</b>	<b>H27WXBG323000*C</b>	120VAC	2.8 Cv
	<b>H27WXBG2B9000*C</b>	24VDC	
<b>H3</b>	<b>H37WXBG323000*C</b>	120VAC	5.0 Cv
	<b>H37WXBG2B9000*C</b>	24VDC	

H##WXBG323000\*C = 5-Pin Automotive Mini Straight Connector  
H##WXBG2B9000\*C = 4-Pin M12 Micro Straight Connector



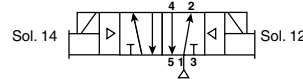
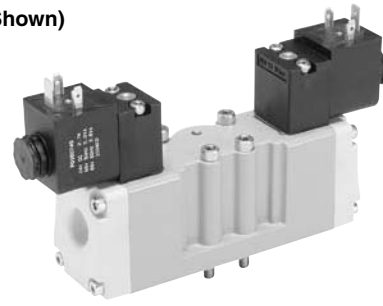


**Single Solenoid**  
**2-Position, Spring / Air Return**  
 (H1 Series Shown)



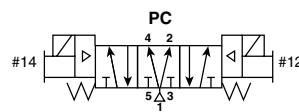
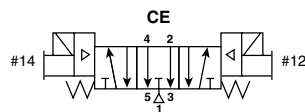
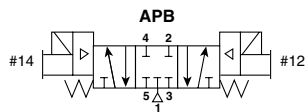
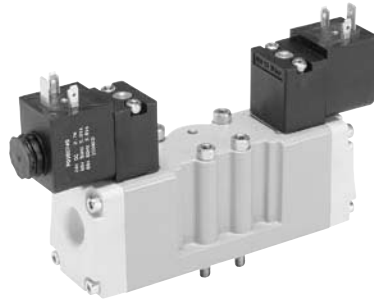
<b>H1</b>	H1EWXBBL53C H1EWXBBL49C	120VAC 24VDC	1.5 Cv
<b>H2</b>	H2EWXBBL53C H2EWXBBL49C	120VAC 24VDC	3.0 Cv
<b>H3</b>	H3EWXBBL53C H3EWXBBL49C	120VAC 24VDC	6.0 Cv

**Double Solenoid**  
**2-Position**  
 (H1 Series Shown)



<b>H1</b>	H12WXBBL53C H12WXBBL49C	120VAC 24VDC	1.5 Cv
<b>H2</b>	H22WXBBL53C H22WXBBL49C	120VAC 24VDC	3.0 Cv
<b>H3</b>	H32WXBBL53C H32WXBBL49C	120VAC 24VDC	6.0 Cv

**Double Solenoid**  
**3-Position APB**  
**3-Position CE**  
**3-Position PC**  
 (H1 Series Shown)

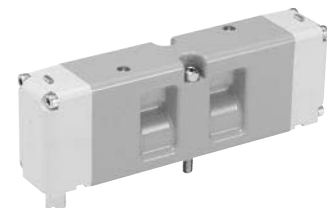
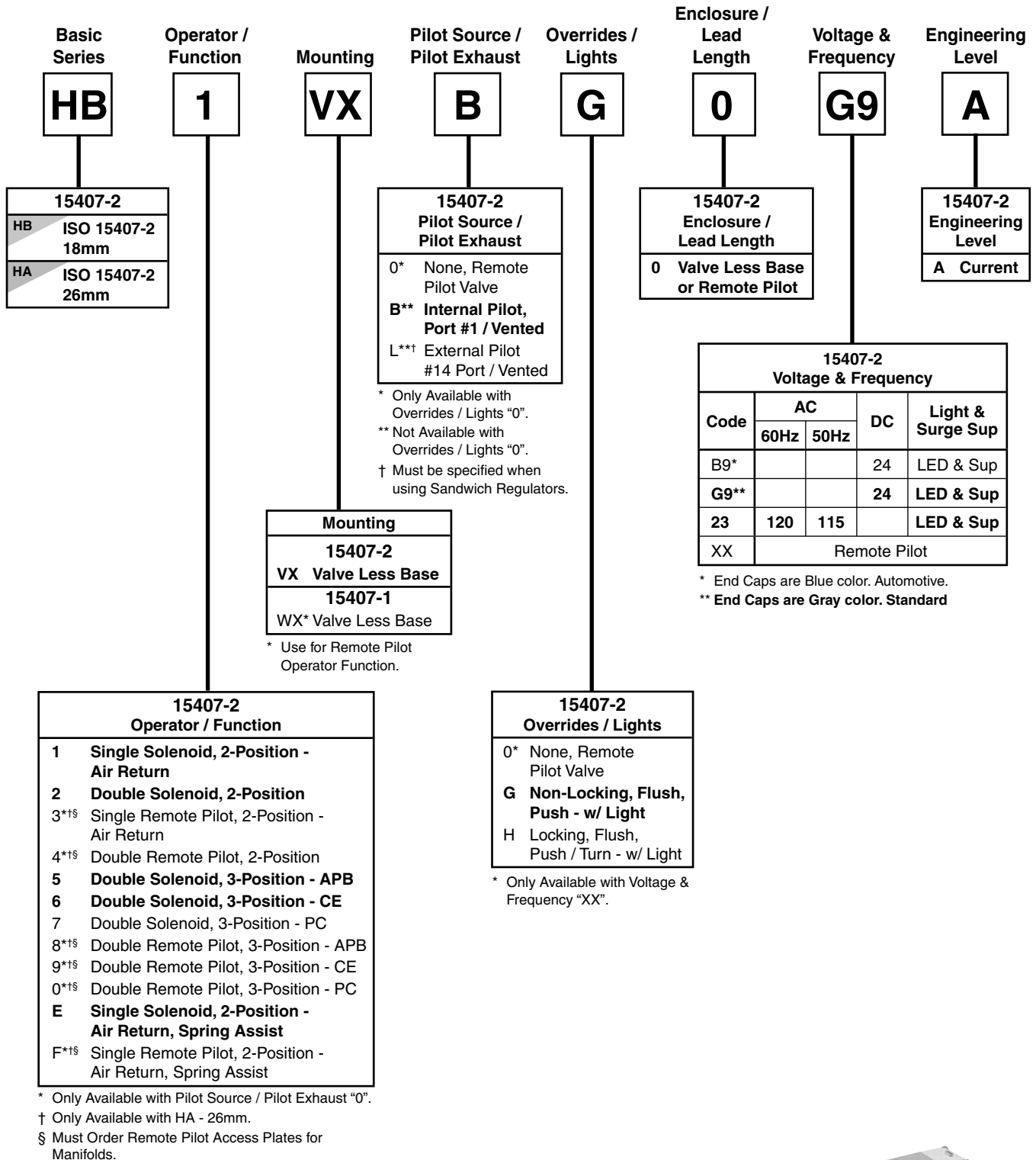


<b>APB</b>			
<b>H1</b>	H15WXBBL53C H15WXBBL49C	120VAC 24VDC	1.2 Cv
<b>H2</b>	H25WXBBL53C H25WXBBL49C	120VAC 24VDC	2.8 Cv
<b>H3</b>	H35WXBBL53C H35WXBBL49C	120VAC 24VDC	5.0 Cv
<b>CE</b>			
<b>H1</b>	H16WXBBL53C H16WXBBL49C	120VAC 24VDC	1.2 Cv
<b>H2</b>	H26WXBBL53C H26WXBBL49C	120VAC 24VDC	2.8 Cv
<b>H3</b>	H36WXBBL53C H36WXBBL49C	120VAC 24VDC	5.0 Cv

<b>PC</b>			
<b>H1</b>	H17WXBBL53C H17WXBBL49C	120VAC 24VDC	1.2 Cv
<b>H2</b>	H27WXBBL53C H27WXBBL49C	120VAC 24VDC	2.8 Cv
<b>H3</b>	H37WXBBL53C H37WXBBL49C	120VAC 24VDC	5.0 Cv

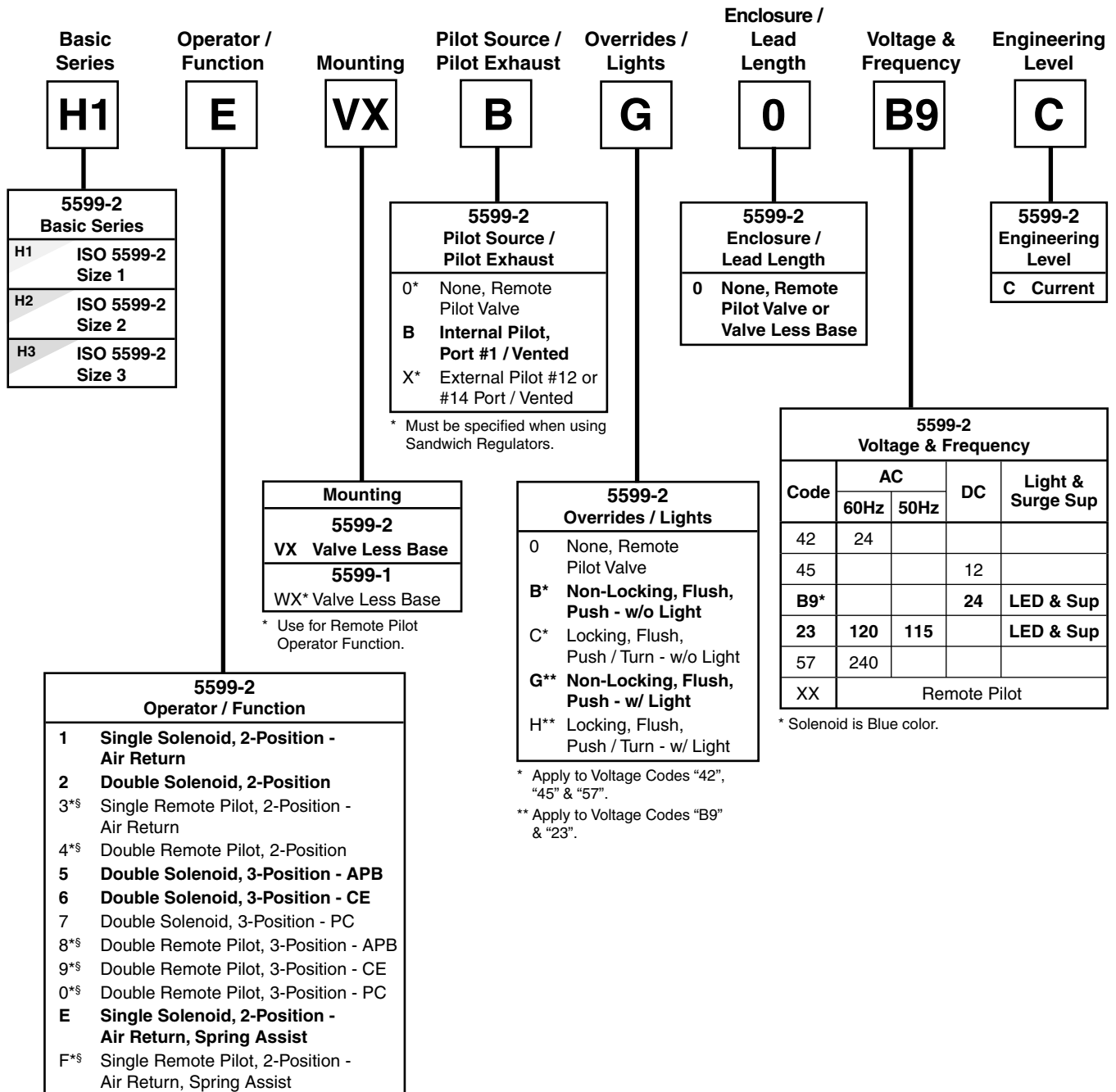


**BOLD OPTIONS ARE MOST POPULAR**





**BOLD OPTIONS ARE MOST POPULAR**



\* Must be specified when using Sandwich Regulators.

\* Use for Remote Pilot Operator Function.

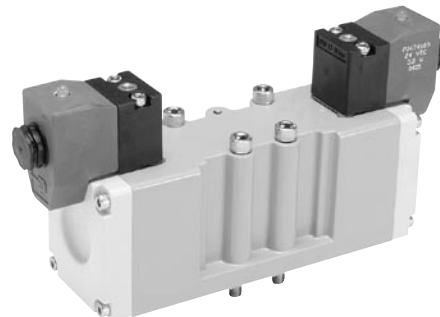
\* Solenoid is Blue color.

\* Apply to Voltage Codes "42", "45" & "57".

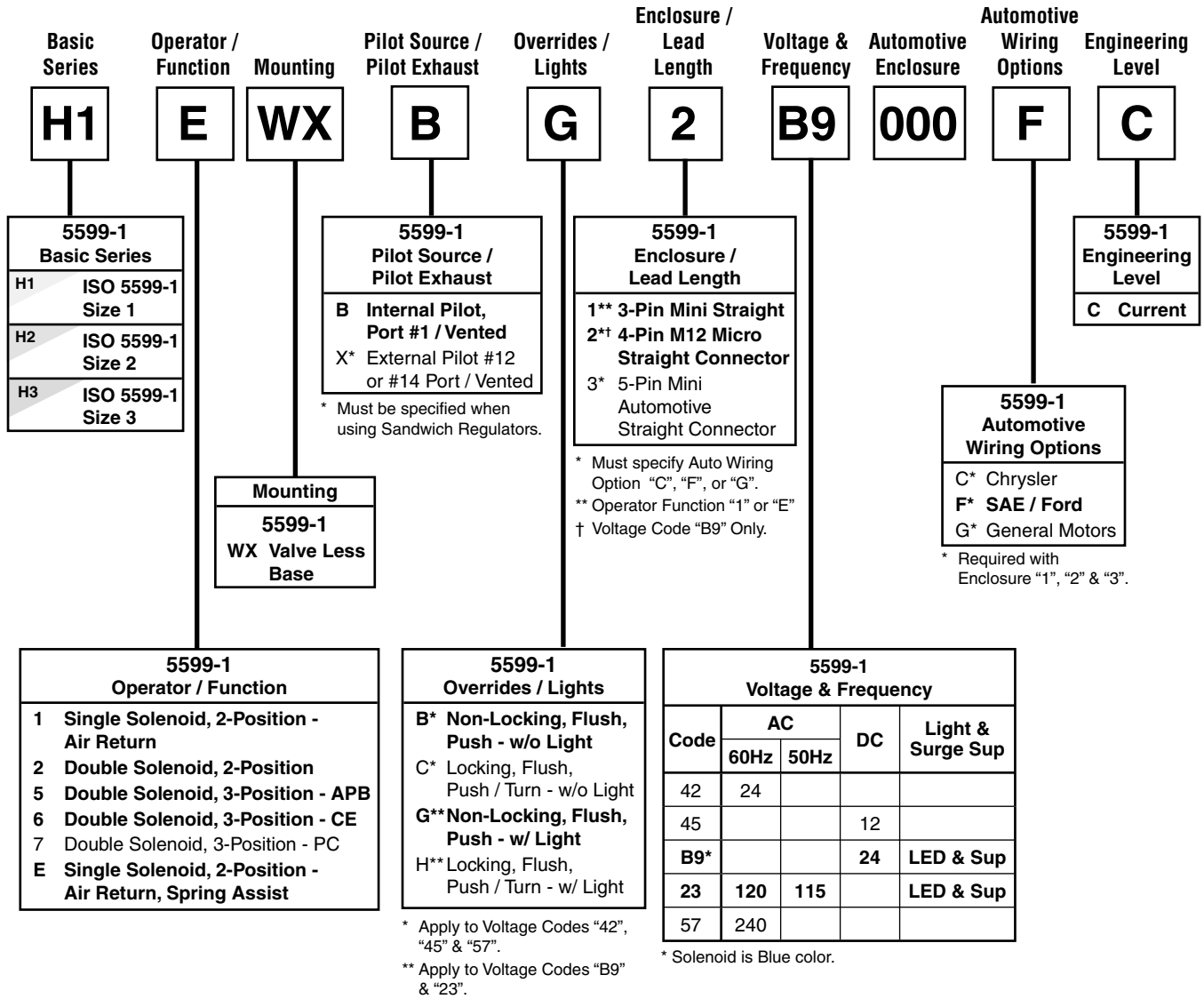
\*\* Apply to Voltage Codes "B9" & "23".

\* Only Available with Pilot Source / Pilot Exhaust "0".

§ Must Order Remote Pilot Access Plates for Manifolds.

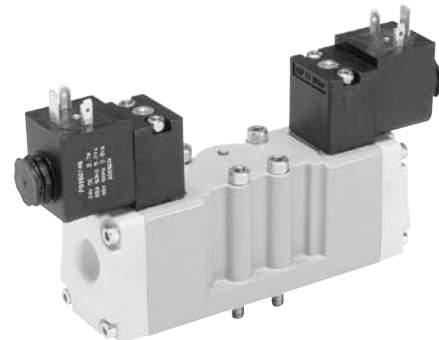
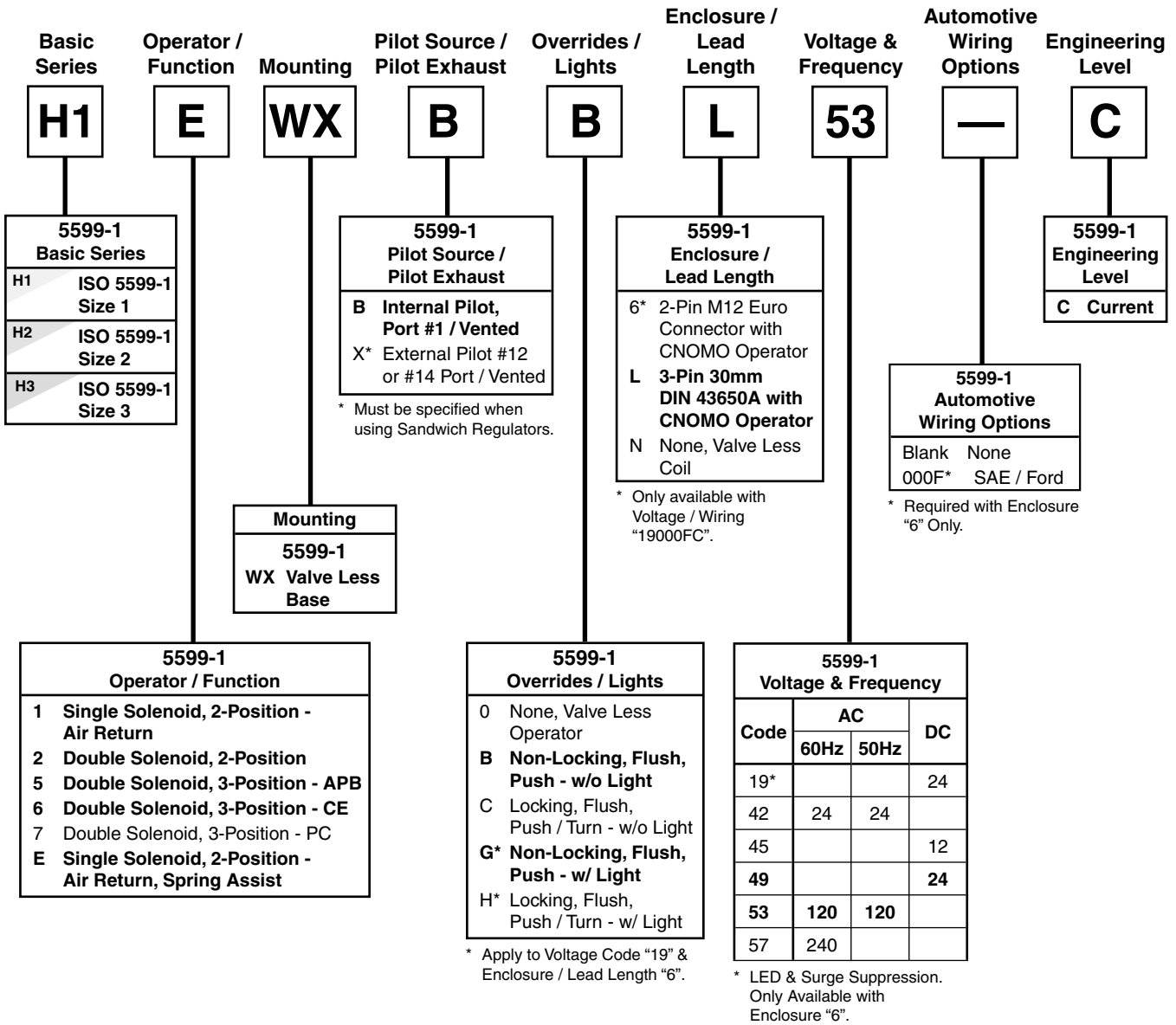


**BOLD OPTIONS ARE MOST POPULAR**



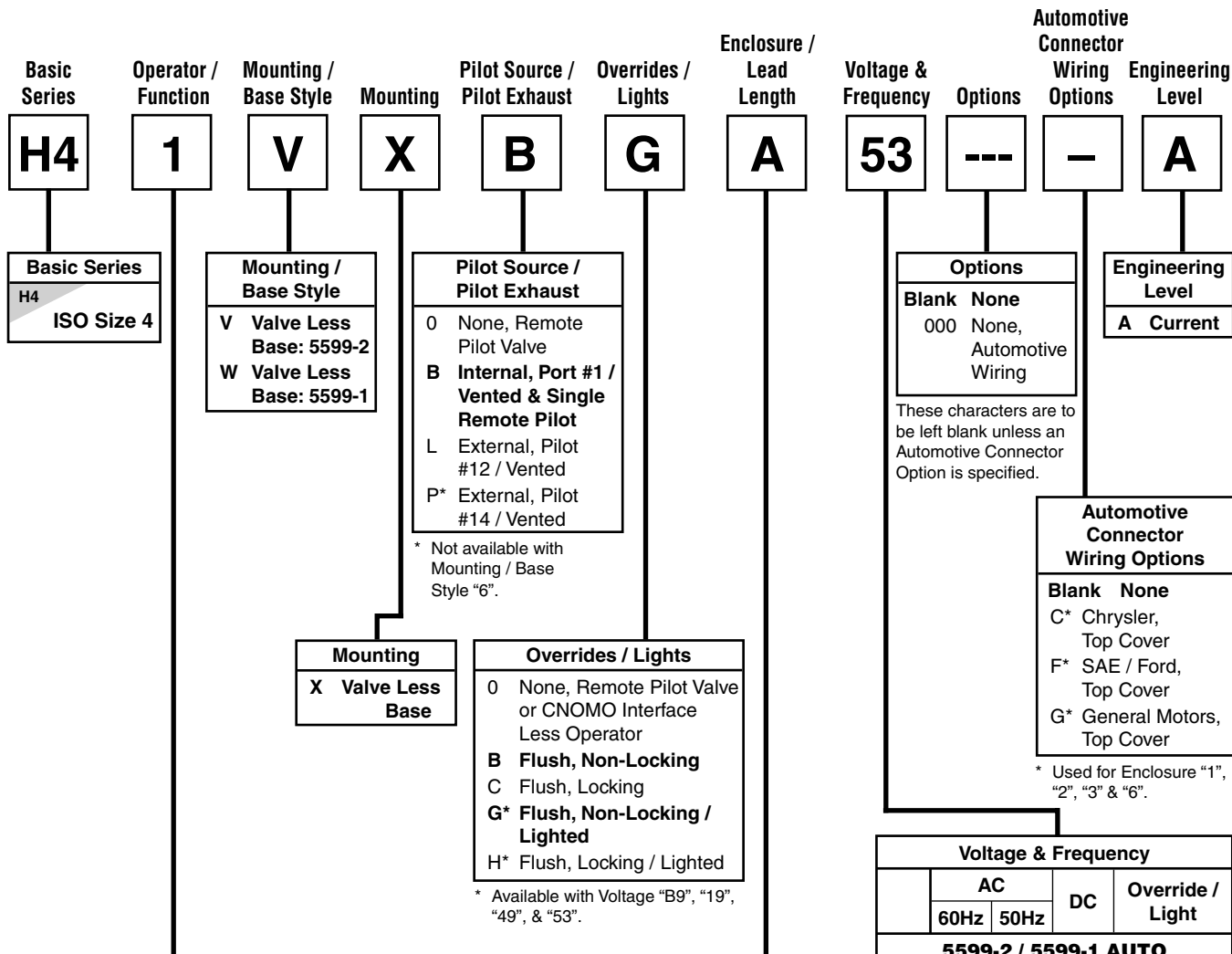


**BOLD OPTIONS ARE MOST POPULAR**





**BOLD OPTIONS ARE STOCKED**



Operator / Function	
1	Single Solenoid, 2-Position - Air Return
2	Double Solenoid, 2-Position
3	Single Remote Pilot, 2-Position - Air Return
4	Double Remote Pilot, 2-Position
5	Double Solenoid, 3-Position - APB
6	Double Solenoid, 3-Position - CE
7	Double Solenoid, 3-Position - PC
8	Double Remote Pilot, 3-Position - APB
9	Double Remote Pilot, 3-Position - CE
0	Double Remote Pilot, 3-Position - PC

Enclosure / Lead Length	
<b>5599-2 Plug-In</b>	
A	Solenoid valve less base
0	None, Remote Pilot Valve
<b>5599-1 AUTO Connectors</b>	
1*	3-Pin Mini Straight Connector
2**	4-Pin M12 Micro Straight Connector
3	5-Pin Mini Straight Connector
<b>5599-1 CNOMO Connectors</b>	
6††	2-Pin M12 Micro Connector with CNOMO Operator
L†	3-Pin 30mm DIN 43650A with CNOMO Operator
N	CNOMO Mounting – No Operator
P†	3-Pin 22mm DIN Industrial with CNOMO Operator

\* Operator / Function "1" Single Solenoid Only.  
 \*\* Voltage "B9" Only.  
 † Only Available with Override "B" & "C", and Voltage "42", "45", "49", "53" & "57".  
 †† Only Available with Override "G", Voltage "19", and Wiring Option "000FA".

Voltage & Frequency				
	AC		DC	Override / Light
	60Hz	50Hz		
<b>5599-2 / 5599-1 AUTO</b>				
B9*			24	G, H
49			24	G, H
53	120	110		G, H
XX	Remote Pilot			
<b>5599-1 CNOMO</b>				
19†			24	G, H
49			24	B, C
53	120	110		B, C
XX	Remote Pilot Valve or CNOMO Mounting - No Operator			

\* LED / Surge Suppression / Low Watt / Blue Coil.  
 † LED / Surge Suppression / Low Watt.

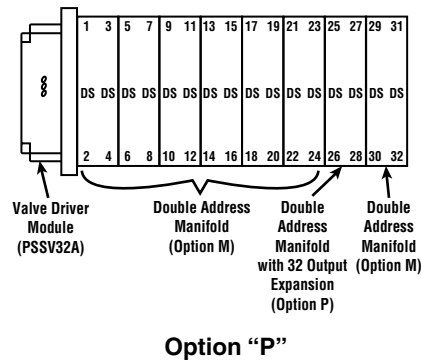
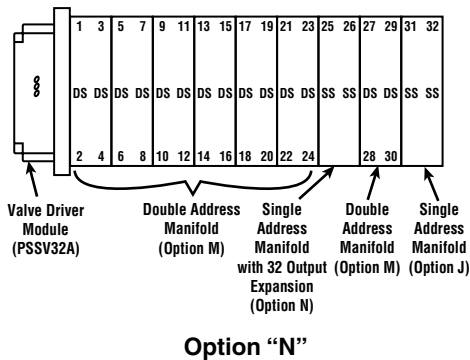




# Manifold and Subbase Kit Ordering Code

<p><b>Basic Series</b></p> <div style="border: 1px solid black; padding: 5px; display: inline-block; font-size: 24px; font-weight: bold;">PS5511</div>	<p><b>Mounting Style / Port Size</b></p> <div style="border: 1px solid black; padding: 5px; display: inline-block; font-size: 24px; font-weight: bold;">13</div>	<p><b>Enclosures / Lead Length</b></p> <div style="border: 1px solid black; padding: 5px; display: inline-block; font-size: 24px; font-weight: bold;">C</div>	<p><b>Factory Designator</b></p> <div style="border: 1px solid black; padding: 5px; display: inline-block; font-size: 24px; font-weight: bold;">P</div>
<p style="text-align: center;"><b>Basic Series</b></p> <p>PS5611 ISO 15407-2 18mm, HB PS5511 ISO 15407-2 26mm, HA</p>		<p style="text-align: center;"><b>Enclosures / Lead Length</b></p> <p>0† None, Remote Pilot C† <b>Terminal Strip</b> J* Single Address Circuit Board M* <b>Double Address Circuit Board</b> N*§ Single Address Circuit Board with 32 Output Expansion P*‡ Double Address Circuit Board with 32 Output Expansion</p>	
<p style="text-align: center;"><b>Mounting Style / Port Size</b></p> <p>13* <b>Subbase with 1/4 NPT Side Ports</b> 14* Subbase with 1/4 BSPP Side Ports 23* Subbase with 1/4 NPT Bottom / Side Port 24* Subbase with 1/4 BSPP Bottom / Side Port 51† <b>Manifold with 1/8 NPT End Ports</b> 52† Manifold with 1/8 BSPP End Port 53* <b>Manifold with 1/4 NPT End Port</b> 54* Manifold with 1/4 BSPP End Port 61† Manifold with 1/8 NPT Bottom / End Port 62† Manifold with 1/8 BSPP Bottom / End Port 63* Manifold with 1/4 NPT Bottom / End Port 64* Manifold with 1/4 BSPP Bottom / End Port</p>		<p>* Manifolds Only. † Available with 26mm. § <b>When using an HA or HB manifold base with the "N" Enclosure / Lead Length option:</b></p> <ul style="list-style-type: none"> <li>• Outputs 1 – 24 can be single or double address bases. Use a base with "J" or "M" Enclosure / Lead Length option.</li> <li>• Outputs 25 – 26 are a single address base. Use a base with "N" Enclosure / Lead Length option (this is a single address board with a ribbon connection from the valve driver module, PSSV32A).</li> <li>• Outputs 27 – 32 can be single or double. Use a base with "J" or "M" Enclosure / Lead Length option.</li> </ul> <p>‡ <b>When using an HA or HB manifold base with the "P" Enclosure / Lead Length option:</b></p> <ul style="list-style-type: none"> <li>• Outputs 1 – 24 can be single or double address bases. Use a base with "J" or "M" Enclosure / Lead Length option.</li> <li>• Outputs 25 – 28 are a double address base. Use a base with "P" Enclosure / Lead Length option (this is a double address board with a ribbon connection from the valve driver module, PSSV32A).</li> <li>• Outputs 29 – 32 can be single or double. Use a base with "J" or "M" Enclosure / Lead Length option.</li> </ul>	

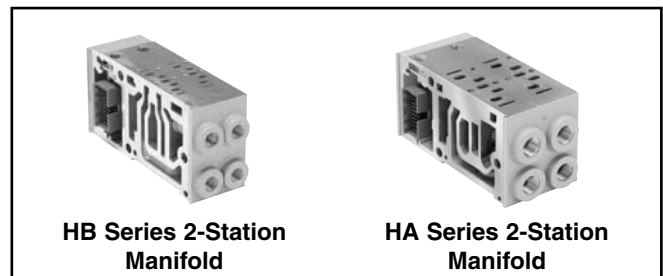
\* Available with 26mm, PS5511.  
† Available with 18mm, PS5611.



## Subbase Kits



## Manifold Kits





## VDMA Manifolds

**VDMA Form C Bottom Port**

Series	Port Size	BSPP "G"
H1	1/4"	P2N-VM512MB
H2	3/8"	P2N-WM513MB
H3	1/2"	P2N-YM514MB

## Subbases

**Side Port**

VDMA Form A

Series	Port Size	NPT	BSPP "G"
H1	1/4"	<b>P2N-GS592SD</b>	P2N-GS512SD
	1/4"	—	P2N-VS512SD
H2	3/8"	<b>P2N-HS593SS</b>	P2N-HS513SS
	3/8"	—	P2N-WS513S
H3	1/2"	—	P2N-YS514SD

## VDMA Form D End Plates

Series	Port Size	BSPP "G"
H1	3/8"	P2N-VM513E
H2	1/2"	P2N-WM514ES
H3	1"	P2N-YM518ES



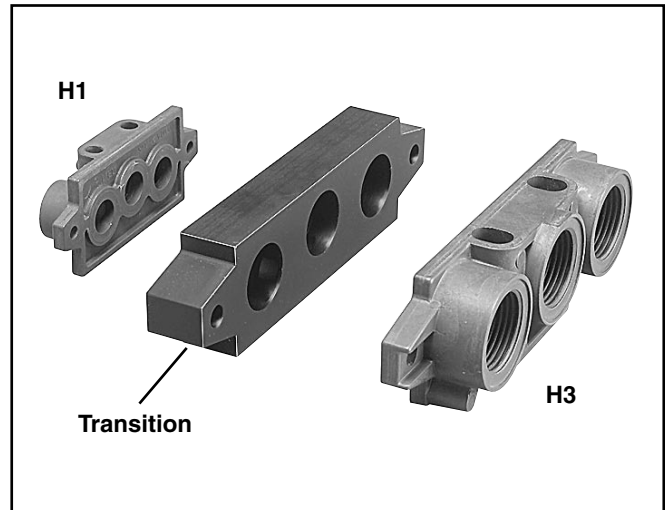


## VDMA Transition Plate

Size	Kit Number
H1	P2N-VM500AK
H2	
H3	

**Kit includes:** Transition Plate Only.

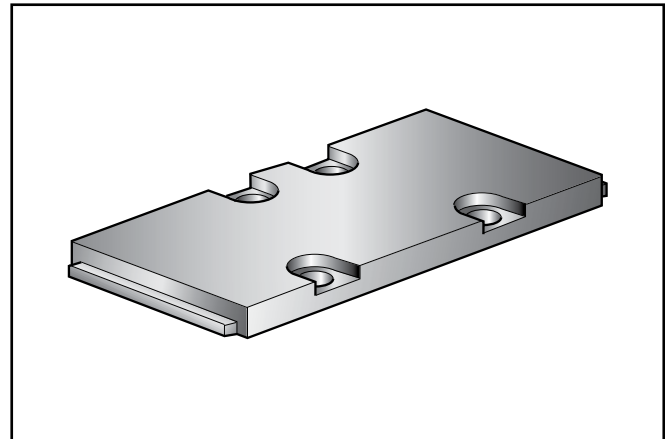
- Order P2N-VM513ES and P2N-YM518ES separately to assemble add-a-fold.



## VDMA Blanking Plate

Size	Kit Number
H1	P2N-AA5B
H2	P2N-BA5B
H3	P2N-CA5B

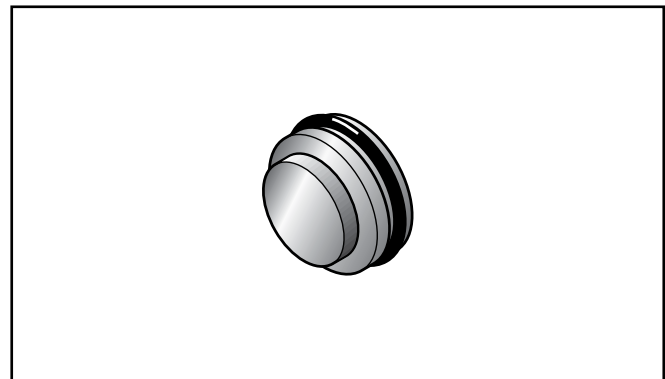
**Kit includes:** (1) Blanking Plate, (1) Gasket, and (4) Mounting Bolts.



## VDMA Isolation Plugs -

Size	Kit Number
H1	P2N-VK0P
H2	P2N-WK0P
H3	P2N-YK0P

**Kit includes:** (1) Isolator Plug.





## Manifold and Subbase Kit Ordering Code

<b>H1</b> Basic Series	<b>Mounting Base Style / Port Size</b>	<b>Enclosures / Lead Length</b>	<b>Wiring Options</b>	<b>Engineering Level</b>	<b>Factory Designator</b>
<b>PS4011</b>	<b>55</b>	<b>A</b>	<b>—</b>	<b>C</b>	<b>P</b>
<b>H2</b>	<b>Enclosures / Lead Length</b>		<b>Wiring Options</b>	<b>Engineering Level</b>	
<b>PS4111</b>	<b>0 None, No Electrical Plug - 5599-1</b> 7† 3-Pin Mini Connector in Base 8*† 4-Pin M12 Micro Connector in Base 9† 5-Pin Mini Connector in Base <b>A 6" Leads</b> C Terminal Block J‡ Circuit Board, Single Address <b>M‡ Circuit Board, Double Address</b> T* SAM Gen 3.0 Wiring		<b>Blank None</b> C Chrysler <b>F SAE / Ford</b> G General Motors	<b>C Current</b>	
<b>H3</b>					
<b>PS4211</b>					

**Note:**  
 When using the Enclosure / Lead Length "J" or "M" option:  
 12VDC - maximum number of coils is 13  
 24VDC - maximum number of coils is 21  
 120VAC - Coils limited by the number of pins available in the connector (25-Pin D-Sub = 24 coils, 19-Pin Brad Harrison = 16, 12-Pin M23 = 8)  
 240VAC - Must use "A" or "C" Option, Lead Wires or Terminal Blocks

\* Valve Voltage Code "B9" Only.  
 † Must Specify Valve Auto Wiring Option "C", "F", or "G".  
 ‡ Not Available with Subbase Kits.

Mounting Base Style / Port Size		
H1	H2	H3
<b>15 Subbase: 3/8 NPT Side Ports</b> 16* Subbase: 3/8 BSPP Side Ports 53 Manifold: 1/4 NPT, End Ports 54 Manifold: 1/4 BSPP, End Ports <b>55 Manifold: 3/8 NPT, End Ports</b> 56* Manifold: 3/8 BSPP, End Ports 65† Manifold: 3/8 NPT Bottom / End Port 66*† Manifold: 3/8 BSPP Bottom / End Port	<b>17 Subbase: 1/2 NPT Side Ports</b> 18* Subbase: 1/2 BSPP Side Ports 27 Subbase: 1/2 NPT Bottom / End Ports 28 Subbase: 1/2 BSPP Bottom / End Ports 55 Manifold: 3/8 NPT, End Ports 56* Manifold: 3/8 BSPP, End Ports <b>57 Manifold: 1/2 NPT End Port</b> 58* Manifold: 1/2 BSPP, End Ports 67 Manifold: 1/2 NPT Bottom / End Port 68* Manifold: 1/2 BSPP Bottom / End Port	<b>19 Subbase: 3/4 NPT Side Ports</b> 10* Subbase: 3/4 BSPP Side Port 29 Subbase: 3/4 NPT Bottom / End Ports 20 Subbase: 3/4 BSPP Bottom / End Port 57 Manifold: 1/2 NPT End Port 58* Manifold: 1/2 BSPP End Ports <b>59 Manifold: 3/4 NPT End Port</b> 50 Manifold: 3/4 BSPP End Port 69 Manifold: 3/4 NPT Bottom / End Port 60* Manifold: 3/4 BSPP Bottom / End Port

\* BSPP ISO 1179 Specifications.

† #1 Bottom Port - 1/4".

### Subbase Kits

**Automotive Connectors**  
 Mounted in 1/2" Conduit Port

- 3-Pin - Wired for Single Solenoid
- 4-Pin / 5-Pin - Wired for Double Solenoid

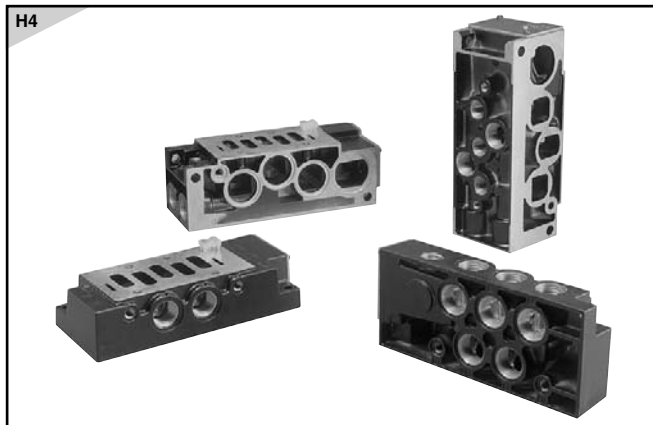
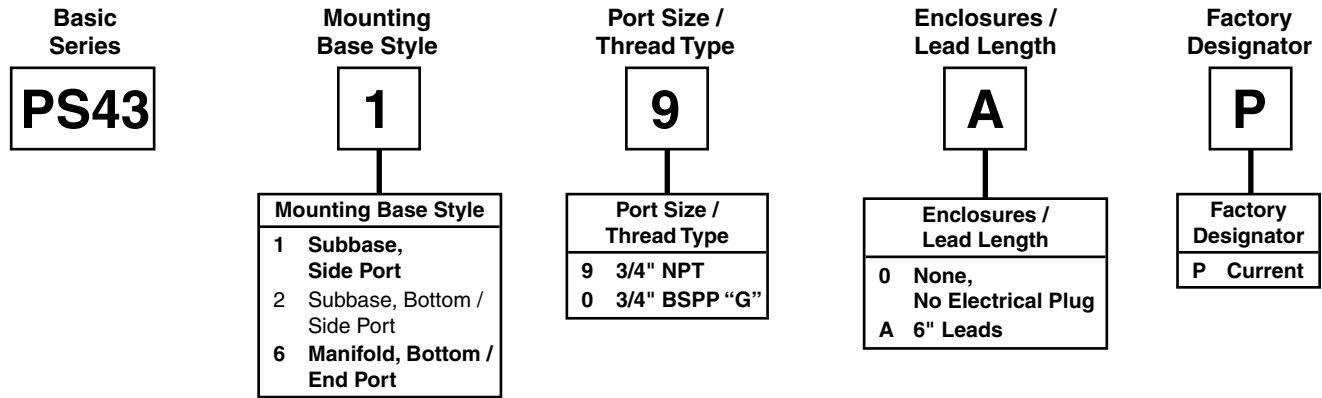
### Manifold Kits

**Automotive Connectors**  
 Mounted in Individual Manifold Conduit Cover

- 3-Pin - Wired for Single Solenoid
- 4-Pin / 5-Pin - Wired for Double Solenoid



## Manifold and Subbase Kit Ordering Code

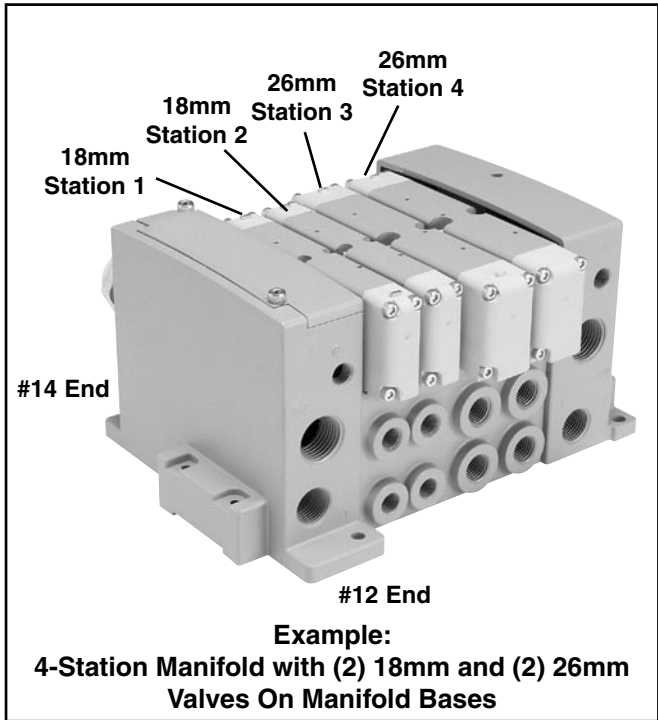


<b>Mounting / Base Style</b>	H4	<ol style="list-style-type: none"> <li>1 #1, #2, #3, #4, and #5 Side Ports Tapped 3/4"; #12 &amp; #14 Side Pilot Ports Tapped 1/8"</li> <li>2 #1, #2, #3, #4, and #5 Bottom Ports Tapped 3/4"; #1, #2, #3, #4, and #5 Side Ports Tapped 1/2"; #12 &amp; #14 Bottom Pilot Ports Tapped 1/8"</li> <li>6 #2 and #4 End Ports Tapped 3/4"; #2 and #4 Bottom Ports Tapped 3/4"; #1, #3 and #5 Bottom Ports Tapped 1/2"; #12 &amp; #14 Bottom Pilot Ports Tapped 1/8"</li> </ol>
------------------------------	----	--



## How To Order Add-A-Fold Assemblies

1. List Add-A-Fold Assembly call out. This automatically includes the end plate kit assembly.
2. List complete Valve, Regulator, Flow Control and Base model number. List left to right, LOOKING AT THE CYLINDER PORTS on the #12 end of the manifold. The left most station is station 1.  
(If a blank station is needed, list the blanking plate part number and the individual manifold number in the station specified.)

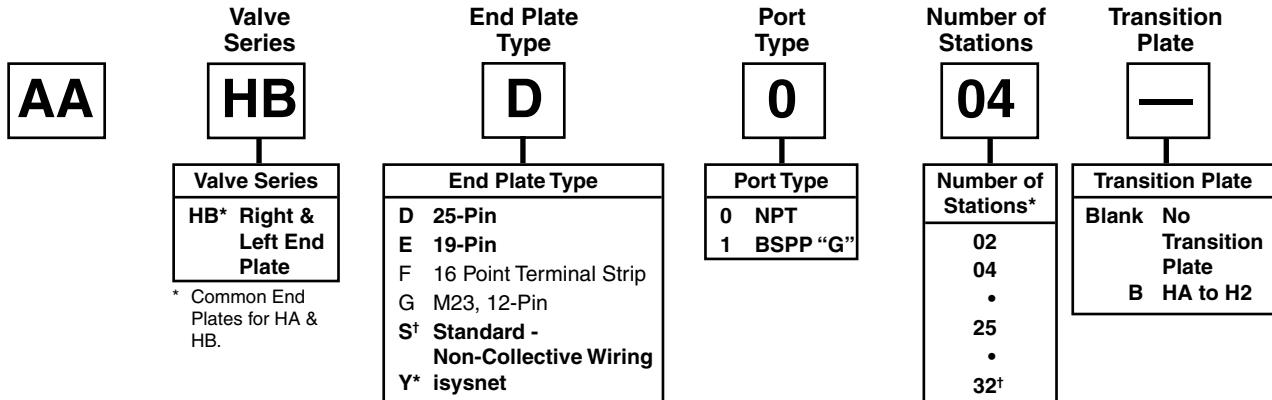


## Maximum Solenoids Energized Simultaneously (Interconnect Circuit Boards)

HA HB	Voltage Code	25-Pin D-Sub	19-Pin Round	Single 12-Pin M23	isysnet
24VDC	B9 / G9	24	16	8	32
120VAC*	23	24	16	8	32

\* Not CSA certified for 25-Pin, D-Sub option.

## Add-A-Fold Assembly Model Number



\* Common End Plates for HA & HB.

\* Valve Driver Module included. Must order communication modules separately.

† Available with HA (26mm) Valves Only and Terminal Strip Manifold Bases.

\* Must be ordered in multiples of (2).

† Maximum Number.

## Example

Application requires a 4-Station manifold with a regulator on Station 2. (Two 18mm + Two 26mm Stations)

Item	Qty.	Part No.
01	1	AAHBD004
02	1	HB1VXBG0G9A .....Station 1
03	1	HB2VXLG0G9A .....Station 2
04	1	PS5638166P .....Station 2
05	1	PS561151MP .....Station 1 & 2
06	2	HA1VXBG0G9A .....Station 3 & 4
07	1	PS551151MP .....Station 3 & 4

**NOTE:** Construct manifold assemblies from left to right while looking at the ports. Valves must be ordered as External Pilot when using Sandwich Regulator.

### When using an HA or HB manifold base with the "N" Enclosure / Lead Length option:

- Outputs 1 – 24 can be single or double address bases. Use a base with "J" or "M" Enclosure / Lead Length option.
- Outputs 25 – 26 are a single address base. Use a base with "N" Enclosure / Lead Length option (this is a single address board with a ribbon connection from the valve driver module, PSSV32A).
- Outputs 27 – 32 can be single or double. Use a base with "J" or "M" Enclosure / Lead Length option.

### When using an HA or HB manifold base with the "P" Enclosure / Lead Length option:

- Outputs 1 – 24 can be single or double address bases. Use a base with "J" or "M" Enclosure / Lead Length option.
- Outputs 25 – 28 are a double address base. Use a base with "P" Enclosure / Lead Length option (this is a double address board with a ribbon connection from the valve driver module, PSSV32A).
- Outputs 29 – 32 can be single or double. Use a base with "J" or "M" Enclosure / Lead Length option.



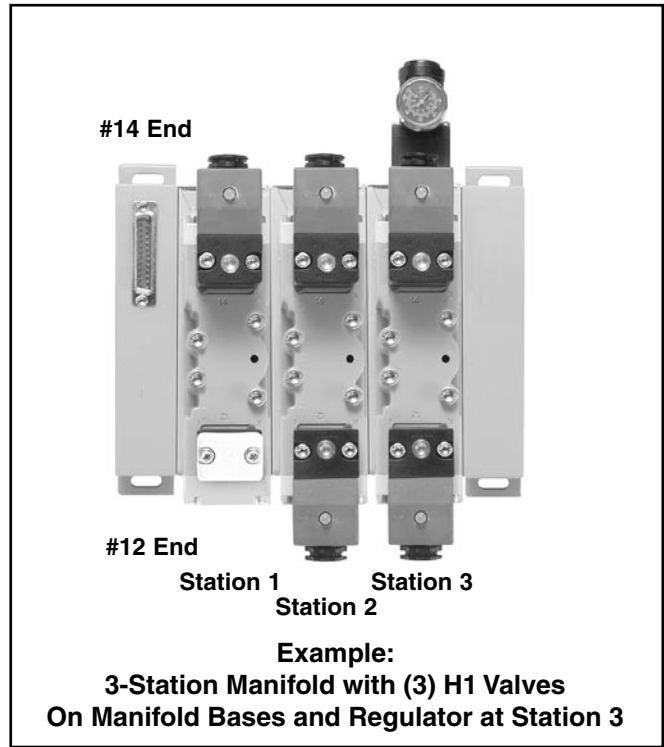
## How To Order Add-A-Fold Assemblies

1. List Add-A-Fold Assembly call out. This automatically includes the end plate kit assembly.
2. List complete Valve, Regulator, Flow Control and Base model number. List left to right, LOOKING AT THE CYLINDER PORTS on the #12 end of the manifold. The left most station is station 1.  
(If a blank station is needed, list the blanking plate part number and the individual manifold number in the station specified.)

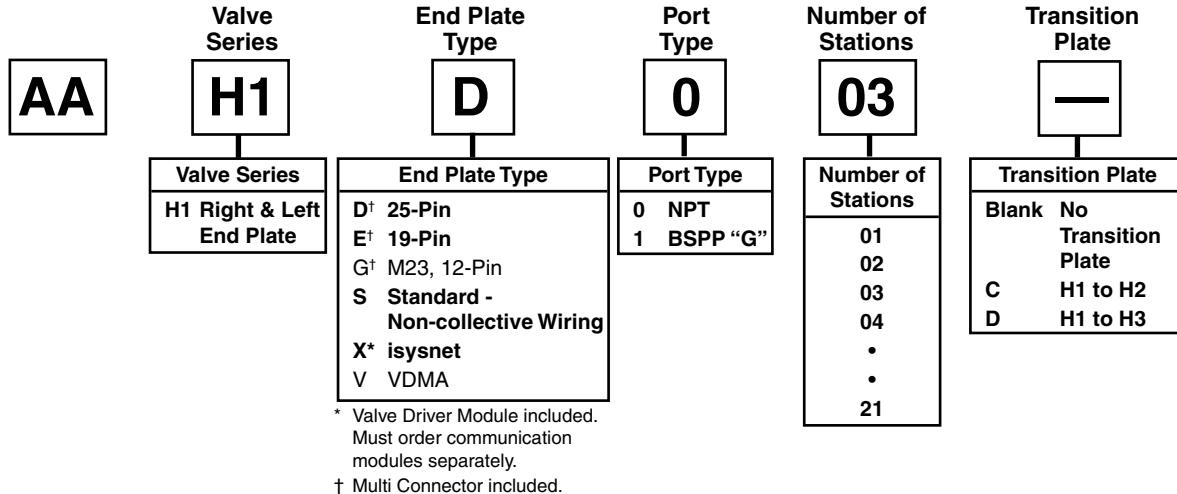
## Maximum Solenoids Energized Simultaneously (Interconnect Circuit Boards)

H1	Voltage Code	25-Pin D-Sub	19-Pin Round	Single 12-Pin M23	isysnet	SAM 3.0
12VDC	45	13	13	8	N/A	N/A
24VAC*	42	24	16	8	N/A	N/A
24VDC	B9	20	16	8	21	4
120VAC*	23	24	16	8	N/A	N/A

\* Not CSA certified for 25-Pin, D-Sub option.



## Add-A-Fold Assembly Model Number



## Example

Application requires a 3-Station manifold with a valve, regulator and flow control on Station 3.

Item	Qty.	Part No.
01	1	AAH1E003
02	2	H12VXBG0B9C..... Station 1 & 2
03	2	PS401165MCP ..... Station 1 & 2
04	1	H11VXXG0B9C..... Station 3
05	1	PS4038166CP ..... Station 3
06	1	PS4035CP ..... Station 3
07	1	PS401165MCP ..... Station 3

**NOTE:** When using the Enclosure / Lead Length "J" or "M" option:

12VDC - maximum number of coils is 13.

24VDC - maximum number of coils is 20.

120VAC - Coils limited by the number of pins available in the connector. (25-Pin D-Sub = 24 coils, 19-Pin Brad Harrison = 16, 12-Pin M23 = 8).

240VAC - Must use "A" or "C" option, lead wires or terminal blocks.

**NOTE:** Construct manifold assemblies from left to right while looking at the cylinder ports.

Valves must be ordered as External Pilot when using Sandwich Regulator.



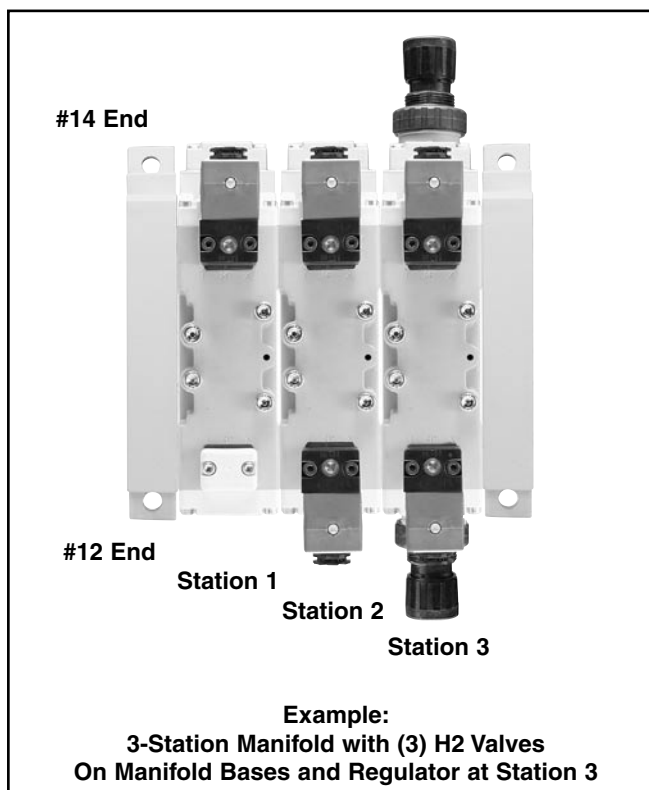
## How To Order Add-A-Fold Assemblies

1. List Add-A-Fold Assembly call out. This automatically includes the end plate kit assembly.
2. List complete Valve, Regulator, Flow Control and Base model number. List left to right, LOOKING AT THE CYLINDER PORTS on the #12 end of the manifold. The left most station is station 1.  
(If a blank station is needed, list the blanking plate part number and the individual manifold number in the station specified.)

## Maximum Solenoids Energized Simultaneously (Interconnect Circuit Boards)

H2 H3	Voltage Code	25-Pin D-Sub	19-Pin Round	Single 12-Pin M23	isysnet	SAM 3.0
12VDC	45	13	13	8	N/A	N/A
24VAC*	42	24	16	8	N/A	N/A
24VDC	B9	20	16	8	21	4
120VAC*	23	24	16	8	N/A	N/A

\* Not CSA certified for 25-Pin, D-Sub option.



## Add-A-Fold Assembly Model Number

<b>AA</b>	<b>H2</b>	<b>D</b>	<b>0</b>	<b>03</b>	<b>—</b>
<b>Valve Series</b>	<b>End Plate Type</b>	<b>Port Type</b>	<b>Number of Stations</b>	<b>Transition Plate</b>	
H2 Right & Left End Plate H3 Right & Left End Plate	D <sup>†</sup> 25-Pin E <sup>†</sup> 19-Pin G <sup>†</sup> M23, 12-Pin S Standard - Non-collective Wiring Y* isysnet V VDMA	0 NPT 1 BSPP "G"	01 02 03 04 • • 21	Blank No Transition Plate E* H2 to H3	

\* Valve Driver Module included. Must order communication modules separately.  
† Collective Wiring Module Included.

## Example

Application requires a 3-Station manifold with a valve, regulator and flow control on Station 3.

Item	Qty.	Part No.
01	1	AAH2E003
02	2	H22VXBG0B9C.....Station 1 & 2
03	2	PS411157MCP.....Station 1 & 2
04	1	H21VXXG0B9C.....Station 3
05	1	PS4138166CP.....Station 3
06	1	PS4135CP.....Station 3
07	1	PS411157MCP.....Station 3

**NOTE:** When using the Enclosure / Lead Length "J" or "M" option:

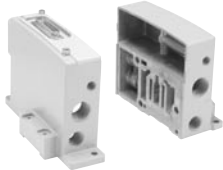

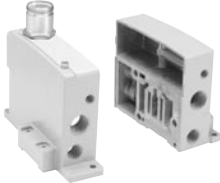
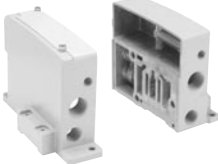
- 12VDC - maximum number of coils is 13.
- 24VDC - maximum number of coils is 20.
- 120VAC - Coils limited by the number of pins available in the connector. (25-Pin D-Sub = 24 coils, 19-Pin Brad Harrison = 16, 12-Pin M23 = 8).
- 240VAC - Must use "A" or "C" option, lead wires or terminal blocks.

**NOTE:** Construct manifold assemblies from left to right while looking at the cylinder ports. Valves must be ordered as External Pilot when using Sandwich Regulator.



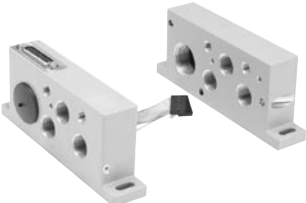

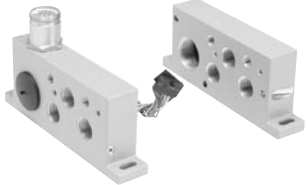
**End Plate Kits**

**HB HA**

<b>Basic Series</b> <b>PS56</b>	<b>End Plate Kit Type</b> <b>20</b>	<b>Option</b> <b>01</b>	<b>Thread Type</b> <b>0</b>	<b>Factory Designator</b> <b>P</b>	
<b>Basic Series</b> PS56 ISO 15407, Size HB, 18mm & HA, 26mm	<b>End Plate Kit Type</b> 20 End Plate - Collective Wiring 31 End Plate - Non- Collective Wiring	<b>Option</b> 01* Non-Collective Wiring L2†§# 25-Pin, D-Sub L3†# 19-Pin, Round, Brad Harrison L4†# 12-Pin, M23 L5†# 16-Point Terminal Strip L6†# isysnet	<b>Thread Type</b> 0 NPT or No Ports 1 G (BSPP)		 <b>HB - HA 16-Point Terminal Strip</b>
					 <b>HB - HA 19-Pin</b>
					 <b>HB - HA Non-Collective Wiring End Plates</b>

\* Only Available with End Plate Kit Type "31" & HA Valves.  
 † Only Available with End Plate Kit Type "20".  
 § 120VAC is not CSA rated.  
 ‡ Valve Driver Module and 24 Output Cable Installed. Must order communication modules separately.  
 # Must Order Bases with Circuit Boards.


**H1 H2 H3**

<b>Basic Series</b> <b>PS40</b>	<b>End Plate Kit Type</b> <b>20</b>	<b>Option</b> <b>L2</b>	<b>Thread Type</b> <b>0</b>	<b>Engineering Level</b> <b>C</b>	<b>Factory Designator</b> <b>P</b>
<b>Basic Series</b> PS40 ISO 5599, Size 1 PS41 ISO 5599, Size 2 PS42 ISO 5599, Size 3	<b>End Plate Kit Type</b> 20 End Plate - Collective Wiring 31 End Plate - Non- Collective Wiring	<b>Option</b> 01* Non-Collective Wiring L1†** Collective Wiring End Plate, Top Ported L2†## 25-Pin, D-Sub L3†+ 19-Pin, Round, Brad Harrison L4†+ 12-Pin, M23 L6^+ isysnet	<b>Thread Type</b> 0 NPT or No Ports 1 G (BSPP)	<b>Engineering Level</b> C Current	 <b>H1 25-Pin D-Sub End Plates</b>
					 <b>H1 Non-Collective Wiring End Plates</b>
					 <b>H1 19-Pin Round End Plates</b>

\* Only Available with End Plate Kit Type "31".  
 \*\* For PS41 and PS42 Kits Only.  
 † Only Available with End Plate Kit Type "20".  
 ‡ Must Order Collective Wiring Module or Valve Driver Module Separately.  
 # 120VAC is Not CSA Rated.  
 ^ Valve Driver Module and 24 Output Cable Installed. Must order communication modules separately.  
 + Must Order Bases with Circuit Boards.



## Transition Plate Kits

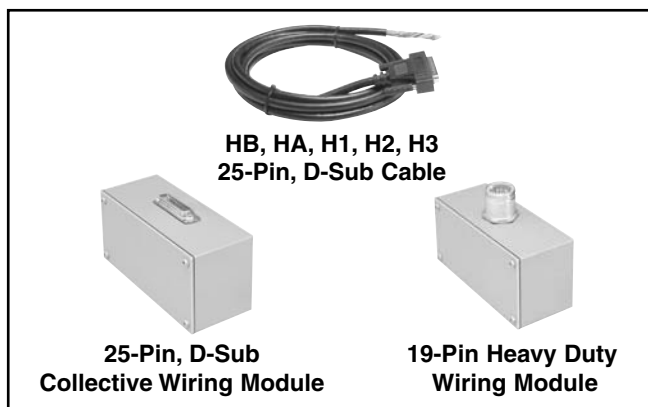
HA	H1	H2	H3					
Basic Series		Transition Plate Type		Option	Thread Type	Engineering Level	Factory Designator	
PS40		26		L2	0	C	P	
PS56		Transition Plate Type		Option	Thread Type	Engineering Level		
 <b>K21R01100P</b> <b>1 Inch Plastic Conduit Plug</b>		24* HA to H2 25 H1 to H2 to H3 26 H1 to H3 27 H1 to H2 28 H2 to H3 * Used Only with Basic Series PS56.		01 Non-Collective Wiring L1* Collective Wiring End Plate, Top Ported L2 25-Pin, D-Sub L3 19-Pin, Round, Brad Harrison L4 12-Pin, M23 L5** 16 Pt. Terminal Strip L6 isysnet * Used Only with Transition Plate Type "28". Must Order Collective Wiring Modules Separately.	0 NPT or No Ports 1 G (BSPP)	Blank Basic Series PS56 C Basic Series PS40		Interface Plate Transition Plate Right Hand End Plate H1 to H2 Shown

## Collective Wiring Module Kits Size 2 & 3

Size	Kit Number
25-Pin, D-Sub Module**	<b>SCD251MC</b>
M23, 12-Pin**	<b>SCM231MC</b>
19-Pin Heavy Duty Round**	<b>SCC191MC</b>
D-Sub Cable, Non-IP, 3 Meters	<b>P8LMH25M3A</b>
D-Sub Cable, IP65, 3-Meter	<b>SCD253W</b>

\* Kit includes: Wiring Module with Circuit Board Connection, Gasket, Tie Rods and Bolts.

† Available with isys, ISO 5599-2, Sizes 2 & 3.

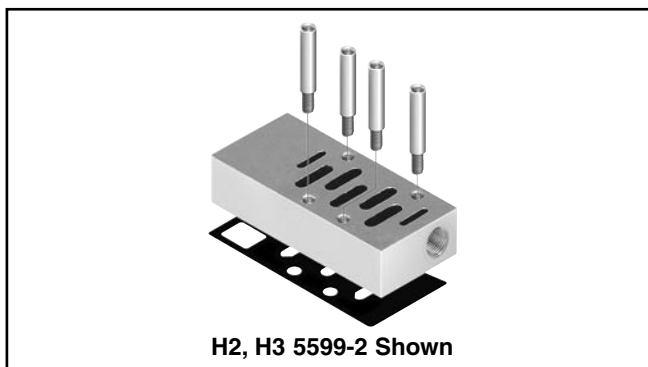


## Remote Pilot Access Plate Kits

Size	Port Size	Kit Number	
		NPT	BSPP "G"
HA	1/8"	PS551500P	PS551501P
H1	1/8"	PS401500CP	PS401501CP
H2	1/8"	PS411500CP	PS411501CP
H3	1/8"	PS421500CP	PS421501CP

Kit includes: Pilot Port Access Plate, Gasket and Mounting Studs.

- Provides access to #12 & #14 valve pilot galleys.
- Required for Single or Double Remote Pilot Valve on a manifold.
- Not required with Single Subbase mounting.
- Height: H1- 18mm (.71"); H2- 22mm (.85"); H3- 24mm (.94")



## H1 Auxiliary Access Plate Kits

Size	Port Size	Kit Number	
		NPT	BSPP "G"
H1	1/4" & 3/8"	PS403000CP	PS403001CP

Kit includes: Access Plate, Gasket and Mounting Screws.

- Used on H1 manifolds to provide auxiliary access to Ports 1, 3 & 5.
- Port 1: 1/4", Ports 3 & 5: 3/8". Height: .72 Inch



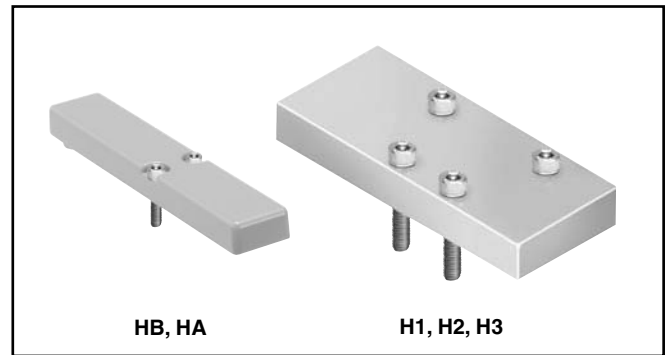




## Blanking Plate Kits

Size	Kit Number
HB	PS5634P
HA	PS5534P
H1	PS4034CP
H2	PS4134CP
H3	PS4234CP
H4	PS1479P

Kit includes: Blanking Plate, Gasket, and Mounting Bolts.



## Manifold Port Isolation Kits

### Main Galley (1, 3, 5)

Size	Kit Number
H1	PS4032CP
H2	PS4132CP
H3	PS4232CP

Kit includes: Plugs with O-rings.

### Pilot Galley

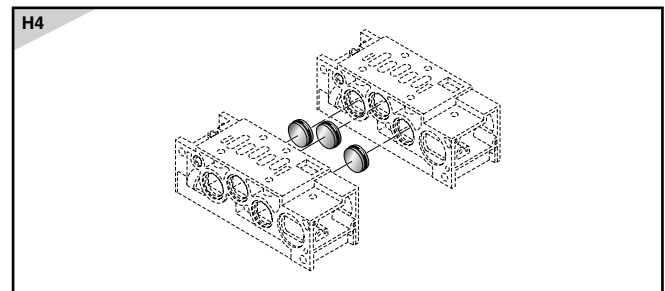
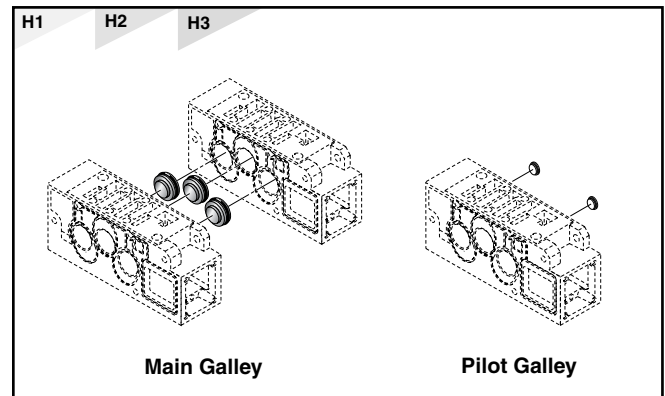
Size	Kit Number
H1 H2 H3	PS4033CP

Kit includes: Plugs with O-rings.

### Main Galley (1, 3, 5)

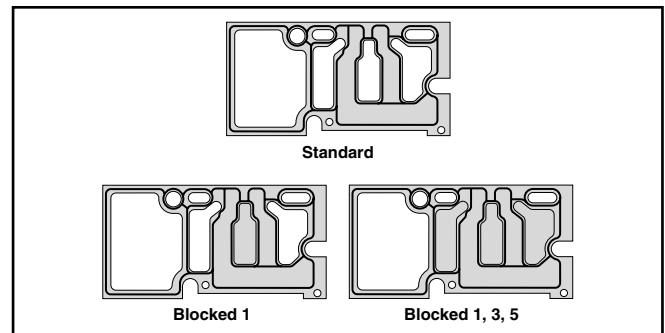
Size	Kit Number
H4	PS1419BP

Kit includes: Plugs with O-rings.



## Manifold to Manifold Gasket Kits

Size	Standard	Blocked #1 Port	Blocked #1, 3, 5 Ports
HB	PS561AP	PS561BP	PS561CP
HA			



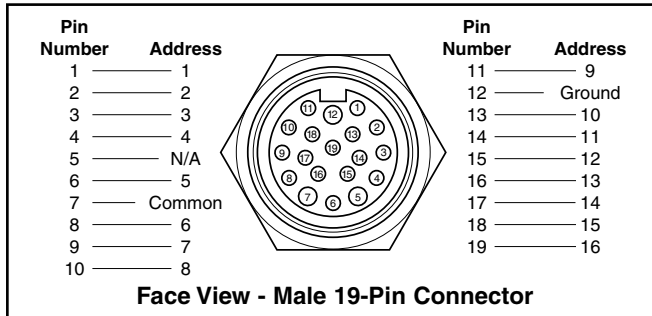


## Maximum Solenoids Energized Simultaneously (Interconnect Circuit Boards)

HA	Voltage Code	25-Pin D-Sub	19-Pin Round	Single 12-Pin M23	isysnet		
HB							
24VDC	B9/G9	24	16	8	32		
120VAC*	23	24	16	8	32		
H1	Voltage Code	25-Pin D-Sub	19-Pin Round	Single 12-Pin M23	isysnet	SAM 3.0	
H2							
H3							
12VDC	45	13	13	8	N/A	N/A	
24VAC*	42	24	16	8	N/A	N/A	
24VDC	B9	20	16	8	21	4	
120VAC*	23	24	16	8	N/A	N/A	

\* Not CSA certified for 25-Pin, D-Sub option.

## 19-Pin Round Brad Harrison



### 19-Pin Round Cable Specifications

Common Pin "7" is rated for 8 amps. Cable common wire must be greater than total amperage of solenoids on Add-A-Fold assembly.

*Example:* 8 station manifold, 16 solenoids,  
 120VAC - 16 x .039 amps = .63 total amp rating.

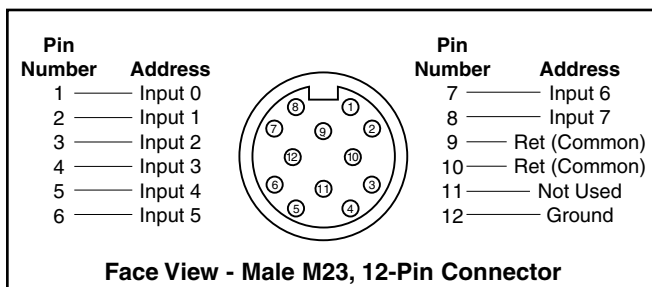
NEMA 4 rated with properly assembled NEMA 4 rated cable.

#### Female Cable Assemblies:

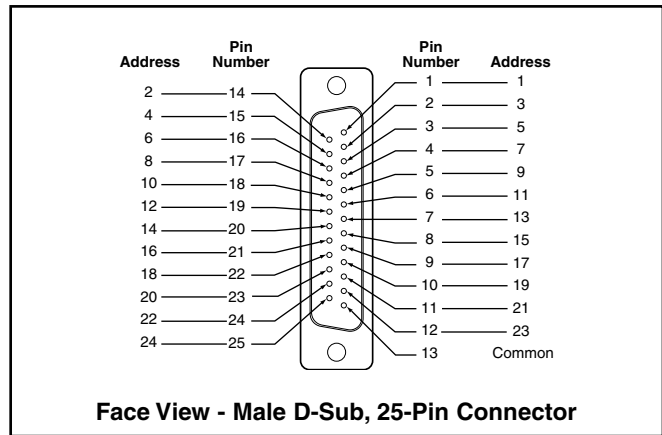
Refer to [www.connector.com](http://www.connector.com)

Brad Harrison #333030P80M050	16.40 ft. (Female to Male Cable)
Brad Harrison #333030P80M0100	32.80 ft. (Female to Male Cable)

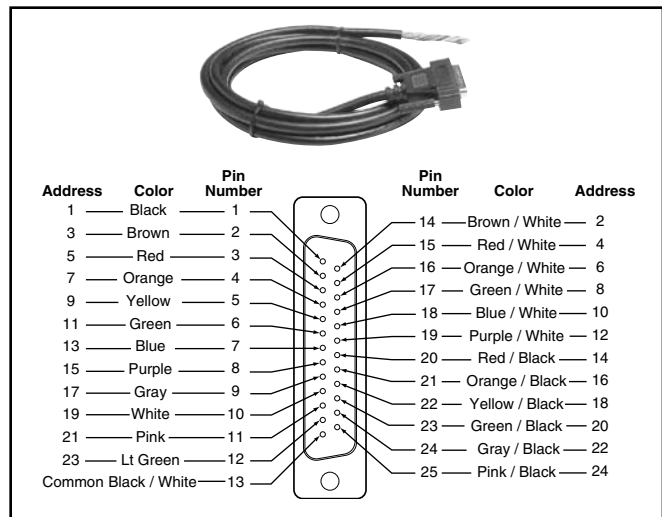
## M23, 12-Pin Round Connector (Male)



## 25-Pin, D-Sub Connector (Male)



## 25-Pin, D-Sub Cable (Female)

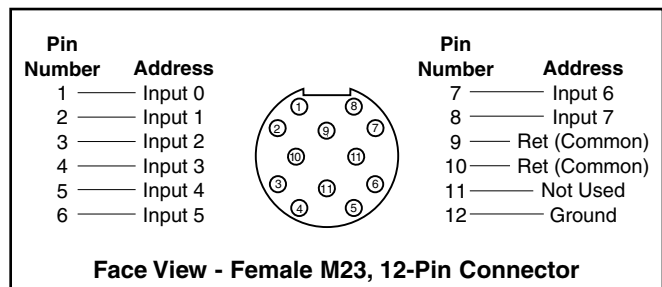


### 25-Pin, D-Sub Cable Specifications

Common Pin "13" is rated for 3 amps. Common wire rating must be greater than total amperage of all solenoids on a Add-A-Fold assembly.

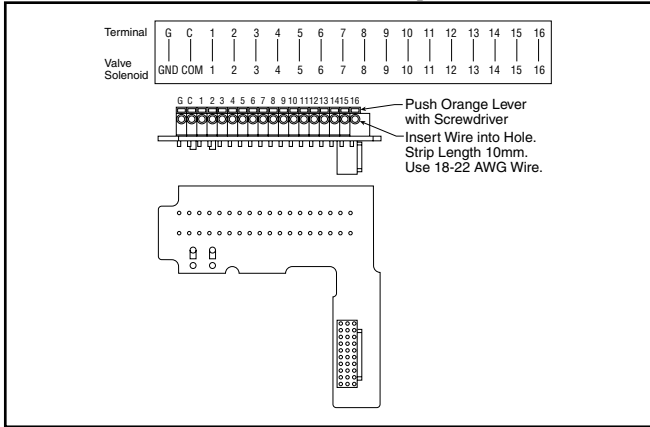
IP65 rated with properly assembled IP65 rated cable.

## M23, 12-Pin Round Connector (Female)

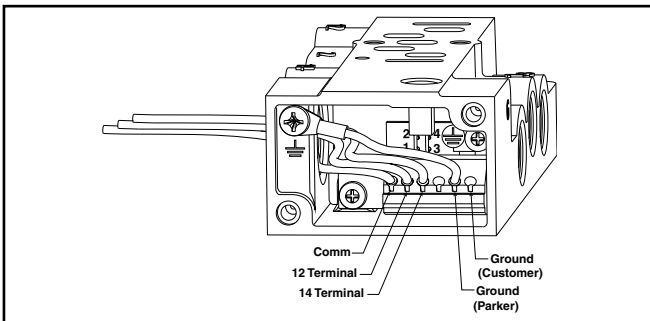




### 16-Point Terminal Strip



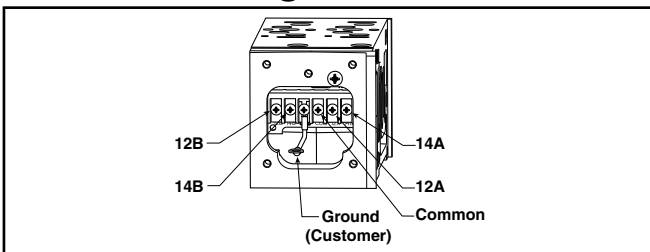
### Subbase Wiring



### Connections

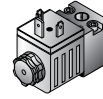
	14 Solenoid	12 Solenoid
Valves with Wires	Black Wires	Red Wires
Valves with Terminal Block (Will accept 18 to 24 Gauge Wires)	14 and Com Terminals	12 and Com Terminals

### Manifold Wiring

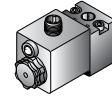


### Electrical Connectors – Size 1, 2 & 3

#### 5599-1 CNOMO

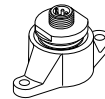


30mm 3-Pin ISO 4400  
(DIN 43650A)



2-Pin M12 Euro

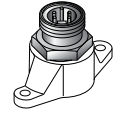
#### 5599-1 AUTO



4-Pin Micro

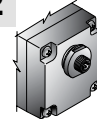


3-Pin Mini

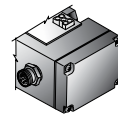


5-Pin Mini

#### 5599-2



Manifold Auto Connector



Subbase Auto Connector

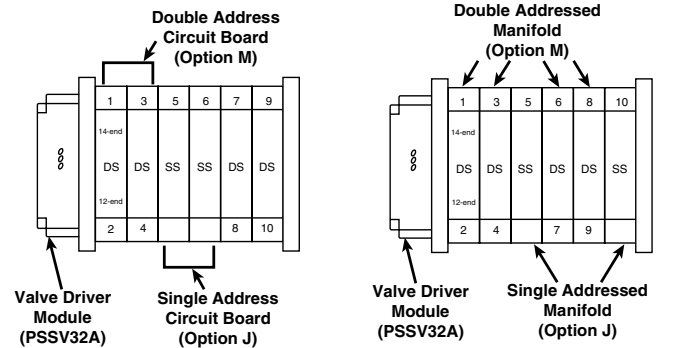
#### 90° Cord Sets:

Refer to [www.connector.com](http://www.connector.com)

4-Pin (Micro): Brad Harrison 884031A09M030 (3 Meter)

5-Pin (Mini): Brad Harrison 115021A01F010 (1 Foot)

### I/O Addressing Examples



**HB & HA Example:**  
Two Station Manifold Bases

**H1, H2 & H3 Example:**  
Single Station Manifold Bases

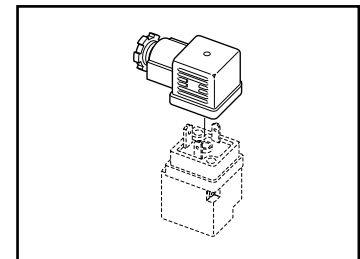
**NOTES:**

SS = Single Solenoid Valve  
DS = Double Solenoid Valve

First output address the #14 end of the valve closest to the valve driver module

### Female Electrical Connectors (IP65 Rated) 30mm 3-Pin ISO 4400 (DIN 43650A)

Connector	Connector with 6' (2m) Cord	Description
PS2028BP	PS2028JBP	Unlighted
PS203279BP	PS2032J79CP*	Light – 6-48V, 50/60Hz; 6-48VDC
PS203283BP	PS2032J83CP*	Light – 120V/60Hz
PS203283CP	N/A	Light – 240V/60Hz



\* With surge suppression.

**Engineering Data:**

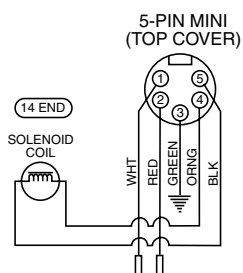
Conductors: 2 Poles Plus Ground; Cable Range (Connector Only): 8 to 10mm (0.31 to 0.39 Inch); Contact Spacing: 18mm



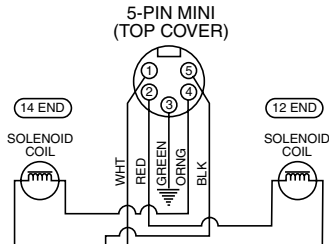
## Automotive Connection – Wiring Options

### 'C' Chrysler Connection

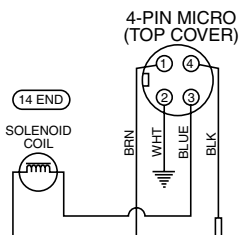
**5-Pin Male / Single Solenoid**  
(Encl. Option 3, Auto Option C)



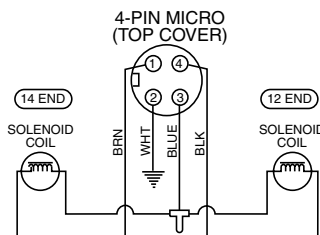
**5-Pin Male / Double Solenoid**  
(Encl. Option 3, Auto Option C)



**4-Pin Male / Single Solenoid**  
(Encl. Option 2, Auto Option C)

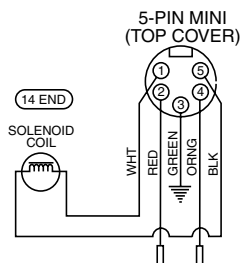


**4-Pin Male / Double Solenoid**  
(Encl. Option 2, Auto Option C)

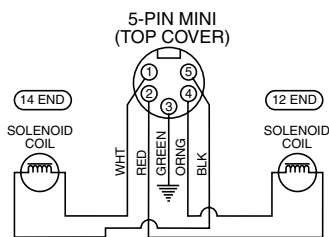


### 'F' SAE / Ford Wiring

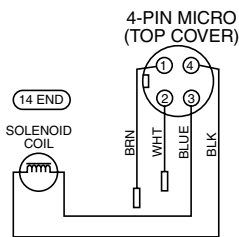
**5-Pin Male / Single Solenoid**  
(Encl. Option 3, Auto Option F)



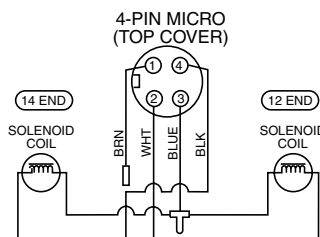
**5-Pin Male / Double Solenoid**  
(Encl. Option 3, Auto Option F)



**4-Pin Male / Single Solenoid**  
(Encl. Option 2, Auto Option F)

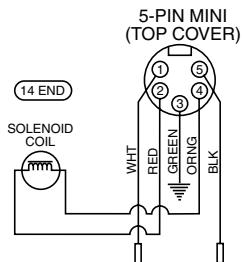


**4-Pin Male / Double Solenoid**  
(Encl. Option 2, Auto Option F)

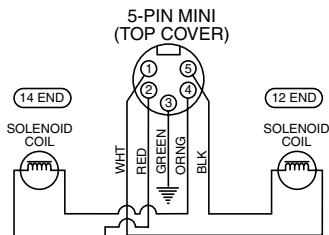


### 'G' GM Wiring

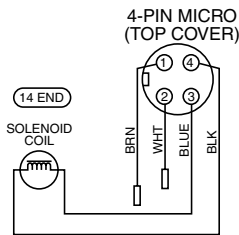
**5-Pin Male / Single Solenoid**  
(Encl. Option 3, Auto Option G)



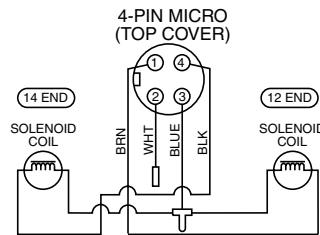
**5-Pin Male / Double Solenoid**  
(Encl. Option 3, Auto Option G)



**4-Pin Male / Single Solenoid**  
(Encl. Option 2, Auto Option G)

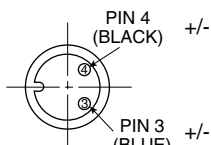


**4-Pin Male / Double Solenoid**  
(Encl. Option 2, Auto Option G)

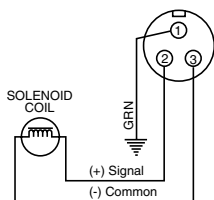


### CNOMO Connection - Wiring Options

**2-Pin Male / Single Solenoid**  
(Encl. Option 6, Auto Option F)



**3-Pin Male / Single Solenoid**  
(Encl. Option 1, Auto Options C, F & G)





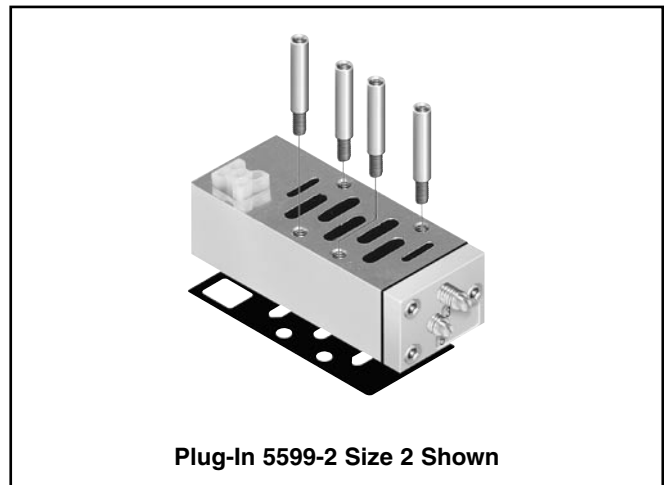
**Sandwich Flow Controls Features**

- Both adjustment screws are located on the 12 end of the unit.
- Sandwich Flow Control mounts with its own studs, which means the valve uses standard bolts for mounting.
- Sandwich Flow Control is not to be used as a shut off device and is not bubble tight when needles are fully turned down.

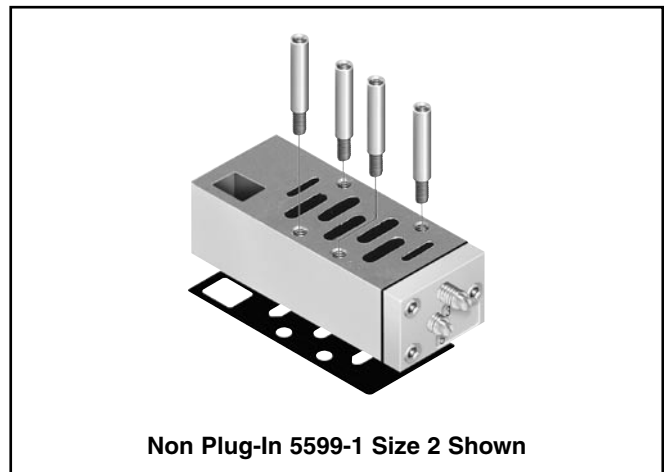


**Plug-In 15407-2 18mm Shown**

Valve Size	Plug-In 15407-2	Non Plug-In 15407-1
HB	PS5635P	PS5642P
HA	PS5535P	PS5542P
Valve Size	Plug-In 5599-2	Non Plug-In 5599-1
H1	PS4035CP	PS4042CP
H2	PS4135CP	PS4142CP
H3	PS4235CP	PS4242CP



**Plug-In 5599-2 Size 2 Shown**



**Non Plug-In 5599-1 Size 2 Shown**

A Sandwich Flow Control and Common Port Sandwich Regulator may be sandwiched together on a manifold or subbase. The Sandwich Flow Control **MUST** be located between the manifold / subbase and the Common Port Sandwich Regulator.



**Features**

- Remote Air Pilot Operated for hard-to-reach pressure control.
- Unregulated Pilot Pressure to valve for consistent valve shifting regardless of pressure adjustment.

**Gauge Adapter Kit**

Included with all HB Regulators. Both Kits are required on all HA & HB Regulators when the Regulator is on the last Station on the Right (14) End.

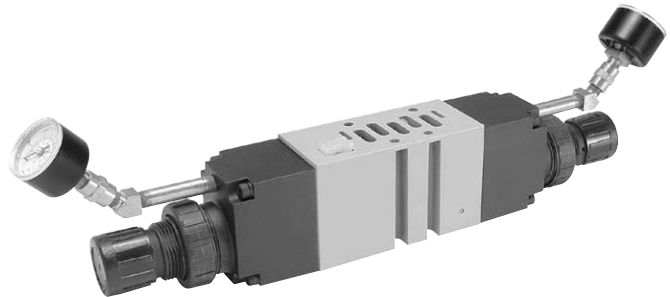


Description	Part Number
Gauge Kit	PS5651160P
1/8" Female to 1/8" Female Coupling	207P-2*
1/8" Male to 1/8" Male Long Nipple	VS215PNL-2-15*

\* Included in Gauge Kit PS5651160P.



**H1**  
(Independent Dual Port Regulator Shown)



**H2**  
(Independent Dual Port Regulator Shown)



**HB**  
(Independent Dual Port Regulator Shown)



**HA**  
(Common Port Regulator Shown)



## Sandwich Regulator Kit Ordering Code

Series <b>PS5637</b>	Regulator Function <b>1</b>	#4 Port Regulator / Gauge <b>6</b>	#2 Port Regulator / Gauge <b>6</b>	Factory Designator <b>P</b>																								
<table border="1"> <tr><th colspan="2">Series</th></tr> <tr><td><b>HB</b></td></tr> <tr><td>15407-1 18mm PS5637</td></tr> <tr><td>15407-2 18mm PS5638</td></tr> <tr><td><b>HA</b></td></tr> <tr><td>15407-1 26mm PS5537</td></tr> <tr><td>15407-2 26mm PS5538</td></tr> </table>	Series		<b>HB</b>	15407-1 18mm PS5637	15407-2 18mm PS5638	<b>HA</b>	15407-1 26mm PS5537	15407-2 26mm PS5538	<table border="1"> <tr><th colspan="2">Regulator Function</th></tr> <tr><td><b>1 Common Pressure Regulator</b></td></tr> <tr><td><b>2 Independent Pressure Regulator</b></td></tr> </table>	Regulator Function		<b>1 Common Pressure Regulator</b>	<b>2 Independent Pressure Regulator</b>	<table border="1"> <tr><th colspan="2">#4 Port Regulator / Gauge*</th></tr> <tr><td><b>2 2-60 PSIG w/o Gauge</b></td></tr> <tr><td><b>3 5-125 PSIG w/o Gauge</b></td></tr> <tr><td><b>5 2-60 PSIG w/Gauge</b></td></tr> <tr><td><b>6 5-125 PSIG w/Gauge</b></td></tr> </table>	#4 Port Regulator / Gauge*		<b>2 2-60 PSIG w/o Gauge</b>	<b>3 5-125 PSIG w/o Gauge</b>	<b>5 2-60 PSIG w/Gauge</b>	<b>6 5-125 PSIG w/Gauge</b>	<table border="1"> <tr><th colspan="2">#2 Port Regulator / Gauge*</th></tr> <tr><td><b>2 2-60 PSIG w/o Gauge</b></td></tr> <tr><td><b>3 5-125 PSIG w/o Gauge</b></td></tr> <tr><td><b>5 2-60 PSIG w/Gauge</b></td></tr> <tr><td><b>6 5-125 PSIG w/Gauge</b></td></tr> </table>	#2 Port Regulator / Gauge*		<b>2 2-60 PSIG w/o Gauge</b>	<b>3 5-125 PSIG w/o Gauge</b>	<b>5 2-60 PSIG w/Gauge</b>	<b>6 5-125 PSIG w/Gauge</b>	
Series																												
<b>HB</b>																												
15407-1 18mm PS5637																												
15407-2 18mm PS5638																												
<b>HA</b>																												
15407-1 26mm PS5537																												
15407-2 26mm PS5538																												
Regulator Function																												
<b>1 Common Pressure Regulator</b>																												
<b>2 Independent Pressure Regulator</b>																												
#4 Port Regulator / Gauge*																												
<b>2 2-60 PSIG w/o Gauge</b>																												
<b>3 5-125 PSIG w/o Gauge</b>																												
<b>5 2-60 PSIG w/Gauge</b>																												
<b>6 5-125 PSIG w/Gauge</b>																												
#2 Port Regulator / Gauge*																												
<b>2 2-60 PSIG w/o Gauge</b>																												
<b>3 5-125 PSIG w/o Gauge</b>																												
<b>5 2-60 PSIG w/Gauge</b>																												
<b>6 5-125 PSIG w/Gauge</b>																												
		<p>* For Common Pressure Regulator Option, Regulator Gauge callout must be the same number for both Port #4 and Port #2. (Example: 166)</p>	<p>* For Common Pressure Regulator Option, Regulator Gauge callout must be the same number for both Port #4 and Port #2. (Example: 166)</p>																									

Series <b>PS4037</b>	Regulator Function <b>1</b>	#4 Port Regulator / Gauge <b>6</b>	#2 Port Regulator / Gauge <b>6</b>	Engineering Level <b>C</b>	Factory Designator <b>P</b>																																						
<table border="1"> <tr><th colspan="2">Series</th></tr> <tr><td><b>H1</b></td></tr> <tr><td>5599-1 PS4037</td></tr> <tr><td>5599-2 PS4038</td></tr> <tr><td><b>H2</b></td></tr> <tr><td>5599-1 PS4137</td></tr> <tr><td>5599-2 PS4138</td></tr> <tr><td><b>H3</b></td></tr> <tr><td>5599-1 PS4237</td></tr> <tr><td>5599-2 PS4238</td></tr> </table>	Series		<b>H1</b>	5599-1 PS4037	5599-2 PS4038	<b>H2</b>	5599-1 PS4137	5599-2 PS4138	<b>H3</b>	5599-1 PS4237	5599-2 PS4238	<table border="1"> <tr><th colspan="2">Regulator Function</th></tr> <tr><td><b>1 Common Pressure Regulator</b></td></tr> <tr><td><b>2 Independent Pressure Regulator</b></td></tr> <tr><td><b>3 Selector Regulator</b></td></tr> </table>	Regulator Function		<b>1 Common Pressure Regulator</b>	<b>2 Independent Pressure Regulator</b>	<b>3 Selector Regulator</b>	<table border="1"> <tr><th colspan="2">#4 Port Regulator / Gauge*</th></tr> <tr><td><b>0 Line By-Pass Plate**</b></td></tr> <tr><td><b>1 1-30 PSIG w/o Gauge</b></td></tr> <tr><td><b>2 2-60 PSIG w/o Gauge</b></td></tr> <tr><td><b>3 5-125 PSIG w/o Gauge</b></td></tr> <tr><td><b>4 1-30 PSIG w/Gauge</b></td></tr> <tr><td><b>5 2-60 PSIG w/Gauge</b></td></tr> <tr><td><b>6 5-125 PSIG w/Gauge</b></td></tr> <tr><td><b>C Air Pilot w/60 PSIG Gauge</b></td></tr> <tr><td><b>D Air Pilot w/160 PSIG Gauge</b></td></tr> </table>	#4 Port Regulator / Gauge*		<b>0 Line By-Pass Plate**</b>	<b>1 1-30 PSIG w/o Gauge</b>	<b>2 2-60 PSIG w/o Gauge</b>	<b>3 5-125 PSIG w/o Gauge</b>	<b>4 1-30 PSIG w/Gauge</b>	<b>5 2-60 PSIG w/Gauge</b>	<b>6 5-125 PSIG w/Gauge</b>	<b>C Air Pilot w/60 PSIG Gauge</b>	<b>D Air Pilot w/160 PSIG Gauge</b>	<table border="1"> <tr><th colspan="2">#2 Port Regulator / Gauge*</th></tr> <tr><td><b>0 Line By-Pass Plate**</b></td></tr> <tr><td><b>1 1-30 PSIG w/o Gauge</b></td></tr> <tr><td><b>2 2-60 PSIG w/o Gauge</b></td></tr> <tr><td><b>3 5-125 PSIG w/o Gauge</b></td></tr> <tr><td><b>4 1-30 PSIG w/Gauge</b></td></tr> <tr><td><b>5 2-60 PSIG w/Gauge</b></td></tr> <tr><td><b>6 5-125 PSIG w/Gauge</b></td></tr> <tr><td><b>C Air Pilot w/60 PSIG Gauge</b></td></tr> <tr><td><b>D Air Pilot w/160 PSIG Gauge</b></td></tr> </table>	#2 Port Regulator / Gauge*		<b>0 Line By-Pass Plate**</b>	<b>1 1-30 PSIG w/o Gauge</b>	<b>2 2-60 PSIG w/o Gauge</b>	<b>3 5-125 PSIG w/o Gauge</b>	<b>4 1-30 PSIG w/Gauge</b>	<b>5 2-60 PSIG w/Gauge</b>	<b>6 5-125 PSIG w/Gauge</b>	<b>C Air Pilot w/60 PSIG Gauge</b>	<b>D Air Pilot w/160 PSIG Gauge</b>		
Series																																											
<b>H1</b>																																											
5599-1 PS4037																																											
5599-2 PS4038																																											
<b>H2</b>																																											
5599-1 PS4137																																											
5599-2 PS4138																																											
<b>H3</b>																																											
5599-1 PS4237																																											
5599-2 PS4238																																											
Regulator Function																																											
<b>1 Common Pressure Regulator</b>																																											
<b>2 Independent Pressure Regulator</b>																																											
<b>3 Selector Regulator</b>																																											
#4 Port Regulator / Gauge*																																											
<b>0 Line By-Pass Plate**</b>																																											
<b>1 1-30 PSIG w/o Gauge</b>																																											
<b>2 2-60 PSIG w/o Gauge</b>																																											
<b>3 5-125 PSIG w/o Gauge</b>																																											
<b>4 1-30 PSIG w/Gauge</b>																																											
<b>5 2-60 PSIG w/Gauge</b>																																											
<b>6 5-125 PSIG w/Gauge</b>																																											
<b>C Air Pilot w/60 PSIG Gauge</b>																																											
<b>D Air Pilot w/160 PSIG Gauge</b>																																											
#2 Port Regulator / Gauge*																																											
<b>0 Line By-Pass Plate**</b>																																											
<b>1 1-30 PSIG w/o Gauge</b>																																											
<b>2 2-60 PSIG w/o Gauge</b>																																											
<b>3 5-125 PSIG w/o Gauge</b>																																											
<b>4 1-30 PSIG w/Gauge</b>																																											
<b>5 2-60 PSIG w/Gauge</b>																																											
<b>6 5-125 PSIG w/Gauge</b>																																											
<b>C Air Pilot w/60 PSIG Gauge</b>																																											
<b>D Air Pilot w/160 PSIG Gauge</b>																																											
		<p>* For Common Pressure Regulator Option, Regulator Gauge callout must be the same number for both Port #4 and Port #2. (Example: 166)</p>	<p>* For Common Pressure Regulator Option, Regulator Gauge callout must be the same number for both Port #4 and Port #2. (Example: 166)</p>																																								
		<p>** Pressure Line By-Pass Option can only be used with Independent and Selector Regulators (Option 2 &amp; 3 in Sandwich Block Function).</p>	<p>** Pressure Line By-Pass Option can only be used with Independent and Selector Regulators (Option 2 &amp; 3 in Sandwich Block Function).</p>																																								

## How to Configure Sandwich Regulator / Valve Combinations

### Ordering Components

- Manifold or Subbase Kit required.
- Sandwich Regulator Kit configured for Internal Pilot as standard.
- Order valve as External Pilot.

### Internal Pilot Configuration -

Pressure in Base Port 1 feeds regulator configured for Internal Pilot which feeds valve configured for External Pilot.

### External Pilot Configuration - H1, H2, H3

An External Pilot pressure in Port 12 or 14 of the base feeds thru the Sandwich Regulator 12 or 14 galley directly to the 12/14 pilot of the valve.

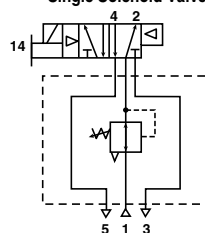
This configuration takes an External Pilot from the 12 port of the base and passes it thru the regulator to feed the 12 galley of the valve.



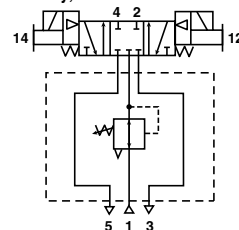
## HB & HA Common Port Regulation

Provides adjustable regulated air pressure to the valve's #1 port which gives the same pressure to both the #2 and #4 port of the manifold or subbase. The regulator is always on the 14 end of the valve.

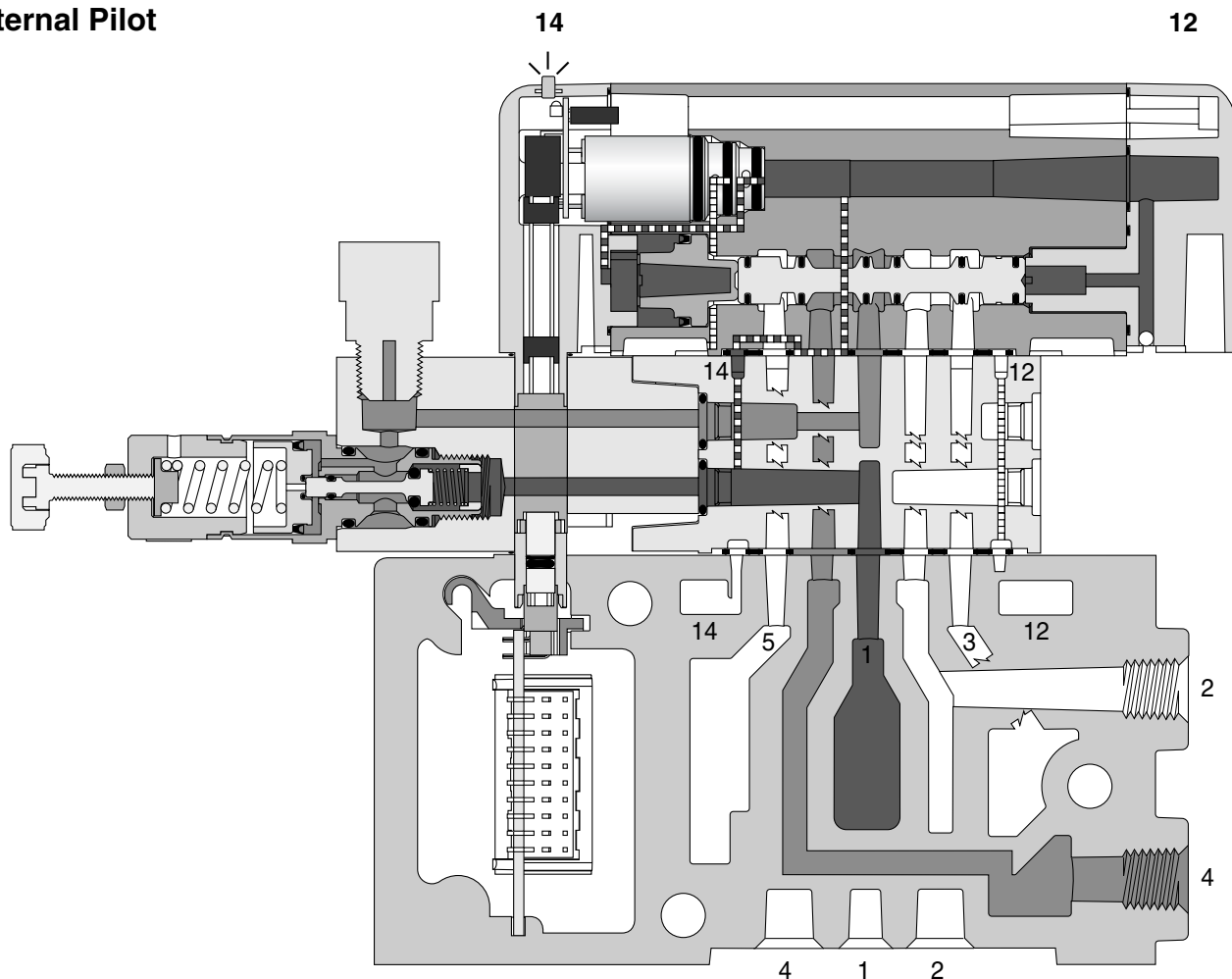
Common Port Regulator with 4-Way, 2-Position Single Solenoid Valve



Common Port Regulator with 4-Way, 3-Position APB Valve



### HB Common Port Regulator Shown - Single Solenoid, 14 Energized, Internal Pilot



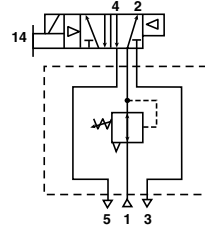




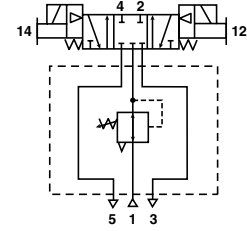
## H1, H2, H3 Common Port Regulation

Provides adjustable regulated air pressure to the valve's #1 port which gives the same regulated pressure to both the #2 and #4 port of the manifold or subbase. The regulator is always on the 14 end of the valve.

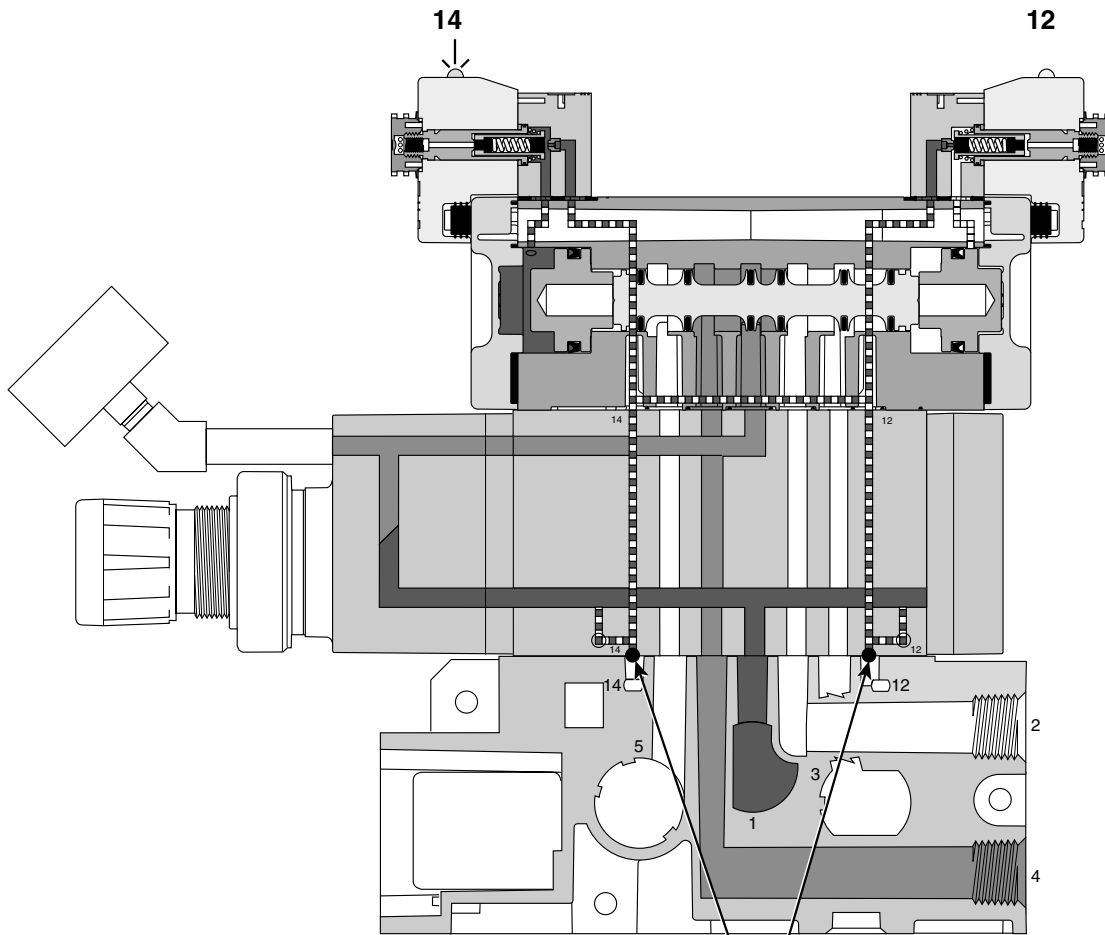
Common Port Regulator with 4-Way, 2-Position Single Solenoid Valve



Common Port Regulator with 4-Way, 3-Position APB Valve



## H2 Common Port Regulator Shown - Double Solenoid, 14 Energized, Internal Pilot



Sandwich Regulator has standard configuration of Internal Pilot with the Pilot Plug in the bottom of the I & E Pilot Holes which prevents line pressure from escaping through the manifold.



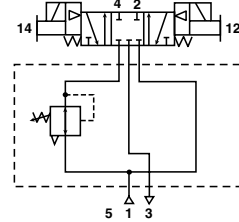
# H1, H2, H3 Independent Port Regulation

## Single Port Regulator

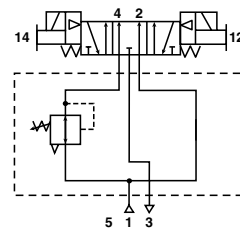
Provides regulated pressure to one of the ports and full line pressure to the other by use of the Line Pressure By-Pass Plate. Pressure regulation can occur out of the #4 port of the valve.

*When using an Independent Pressure Sandwich Regulator, the cylinder outlet ports are reversed. The 12 end energizes the #4 port and the 14 end energizes the #2 port. The 3-Position CE and PC functions are also reversed. (See schematics on right.)*

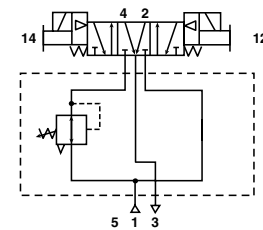
Independent Port Regulator with 4-Way, 3-Position All Ports Blocked Valve



Independent Port Regulator with 4-Way, 3-Position, Inlet to Cylinder Function



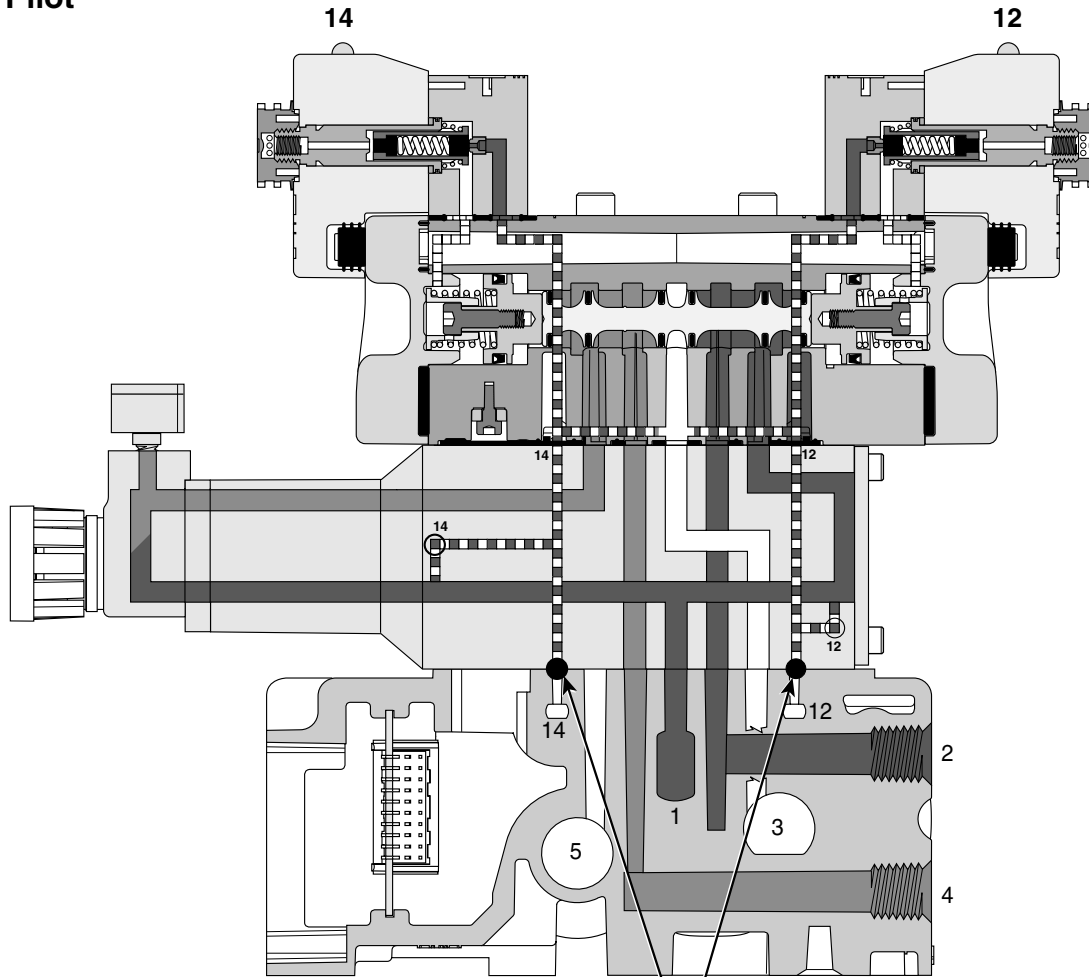
Independent Port Regulator with 4-Way, 3-Position, Cylinder to Exhaust Function



⚠ CAUTION: Requires 4-Way, 3-Position, Cylinder to Exhaust Valve

⚠ CAUTION: Requires 4-Way, 3-Position, Inlet to Cylinder Valve

## H1 Independent Port Regulator Shown - Double Solenoid, De-energized, Internal Pilot



Sandwich Regulator has standard configuration of Internal Pilot with the Pilot Plug in the bottom #12 and #14 Pilot Hole which prevents line pressure from escaping through the manifold.

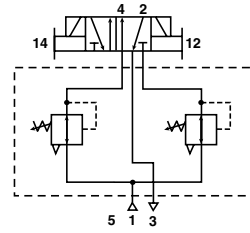


# HB & HA Independent Port Regulation

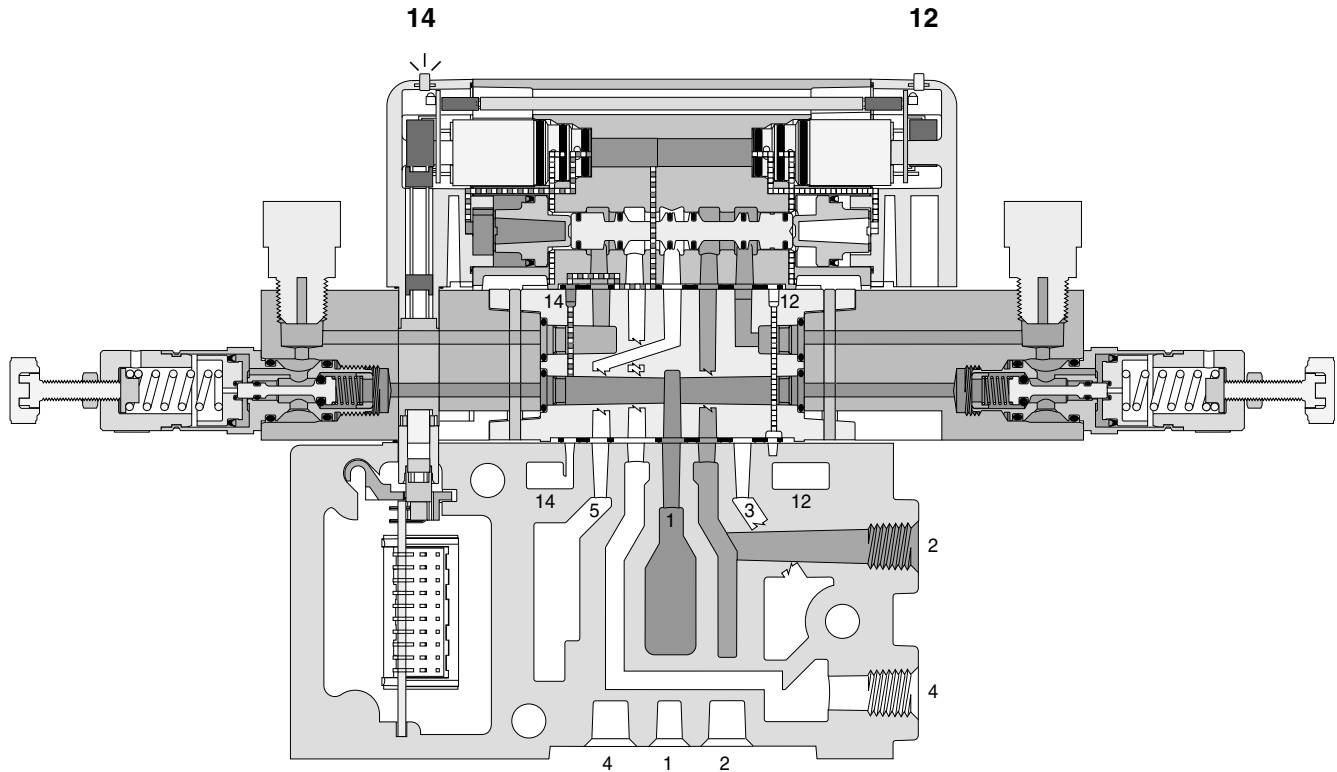
## Dual Port Regulator

Provides regulated pressure to both ports. Pressure regulation can occur out of the #2 or #4 port of the valve.

Independent Dual Port Regulator with 4-Way, 2-Position Double Solenoid Valve



## HB Independent Dual Port Regulator Shown - Double Solenoid, 14 Energized, Internal Pilot



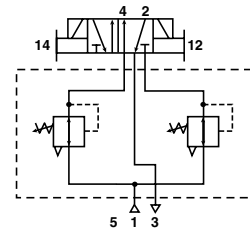


# H1, H2, H3 Independent Port Regulation

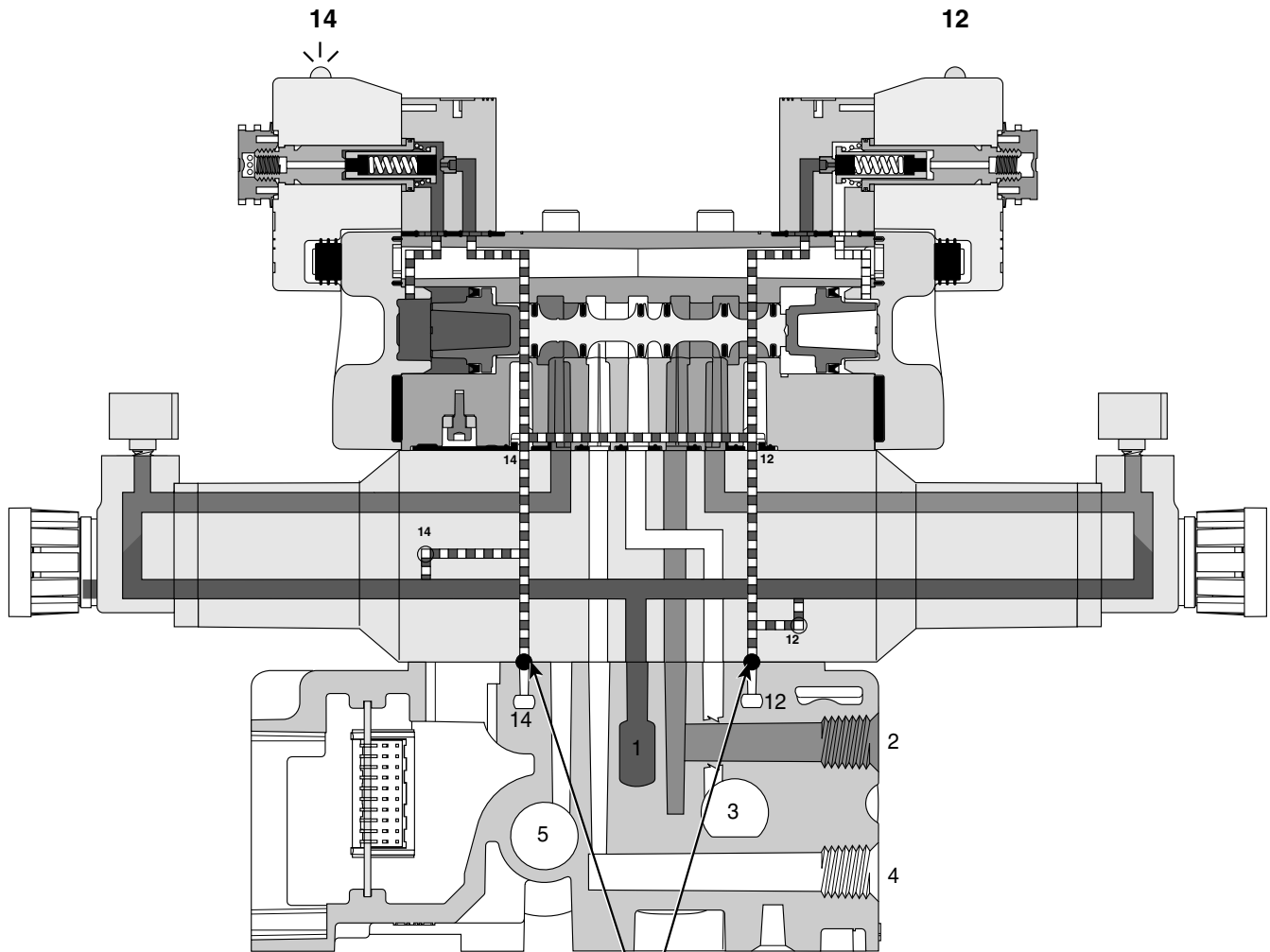
## Dual Port Regulator

Provides regulated pressure to both ports. Pressure regulation can occur out of the #2 or #4 port of the valve.

Independent Dual Port Regulator with 4-Way, 2-Position Double Solenoid Valve



## H1 Independent Dual Port Regulator Shown - Double Solenoid, 14 Energized, Internal Pilot



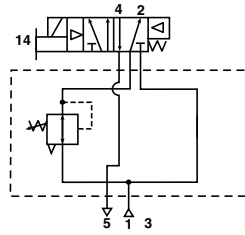
Sandwich Regulator has standard configuration of Internal Pilot with the Pilot Plug in the bottom #12 and #14 Pilot Hole which prevents line pressure from escaping through the manifold.



## H1, H2, H3 Selector Regulator

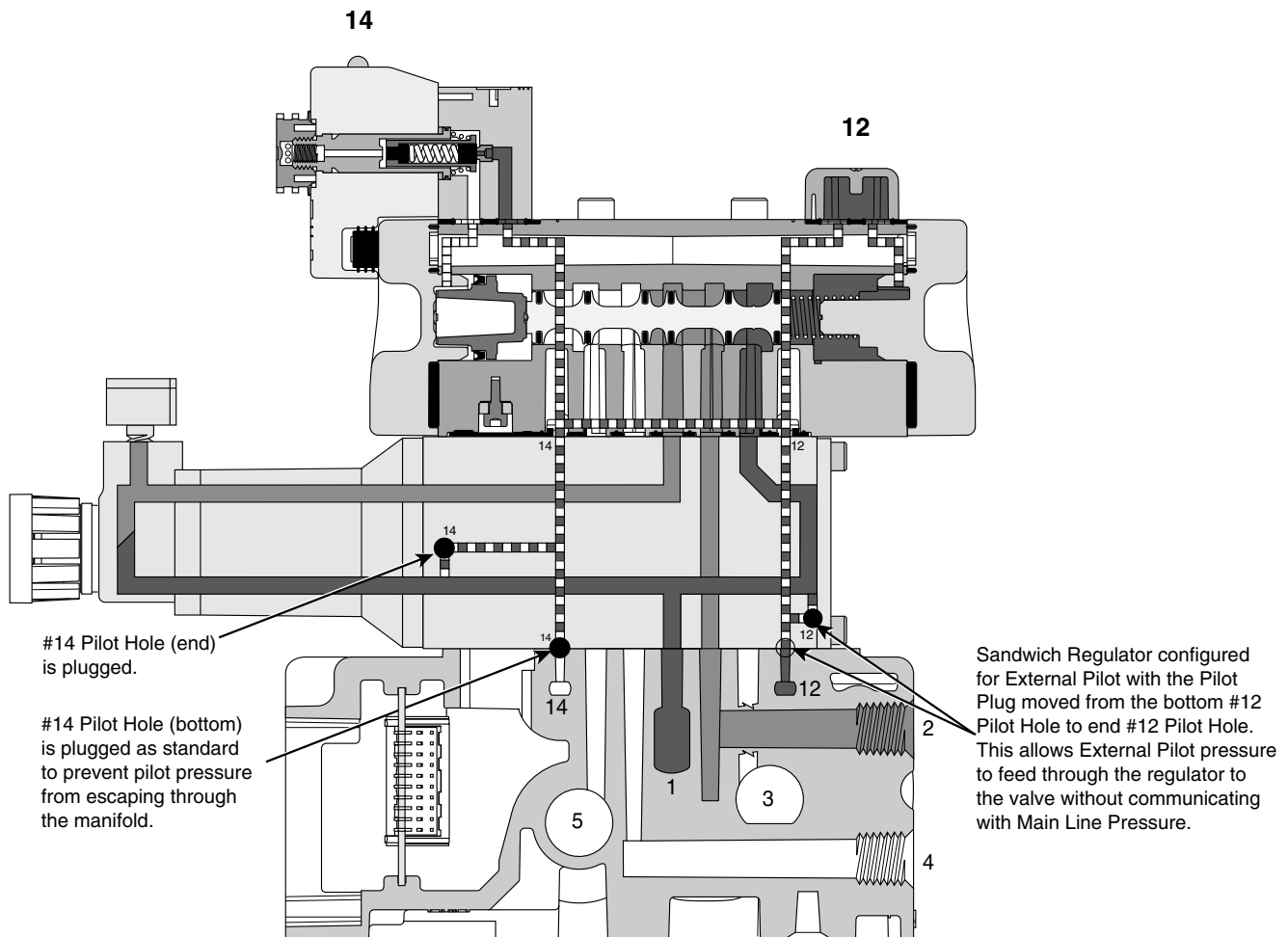
Supplies two different pressures to the valve's #1 and #3 flow paths. Shifting the valve "selects" one or the other of these two pressures to flow out port #2. A Selector Regulator can: 1) Provide regulated pressure to one flow path and full line pressure to the other by use of the Line Pressure By-Pass Plate or 2) Provide regulated pressure to each of the flow paths. (Note: Port #4 is pressurized with air from #1 flow path when 14 end is energized. In many applications, port #4 in the manifold or subbase needs to be plugged.)

Selector Regulator with  
4-Way, 2-Position  
Single Solenoid Valve



H1 H2 H3 *H1, H2 & H3 with Selector Regulator utilizes Bottom / End Port Manifolds and requires external plumbing to accomplish the same function as the H1.*

### H1 Selector Regulator Shown - Single Solenoid, 14 De-energized, External Pilot





## Flow Rating (Cv)

Valve Size	Port Size	2-Position	3-Position
HB	1/8"	0.55	0.50
HA	1/4"	1.1	1.0
H1	3/8"	1.5	1.2
H2	1/2"	3.0	2.8
H3	3/4"	6.0	5.0
H4	3/4"	7.4	5.2

Cv tested per ANSI / (NFPA) T3.21.3

## Sandwich Regulator Cv Flow Chart\*

	Common Pressure Code 166				Single Pressure 2 Code 266				Single Pressure 4 Code 260				Dual Pressure Code 266			
	1-2	1-4	2-3	4-5	1-2	1-4	2-3	4-5*	1-2	1-4	2-3	4-5*	1-2	1-4	2-3	4-5*
HB	0.20	0.20	0.41	0.34	N/A	N/A	N/A	N/A	N/A	N/A	N/A	N/A	0.23	0.19	0.28	0.27
HA	0.41	0.43	0.87	0.89	N/A	N/A	N/A	N/A	N/A	N/A	N/A	N/A	0.42	0.45	0.68	0.66
H1	0.62	0.61	1.28	1.18	0.73	0.96	0.96	0.93	0.34	0.70	0.94	0.98	0.52	0.48	0.86	0.88
H2	1.47	1.60	2.41	2.33	1.71	1.90	1.52	1.75	1.74	1.67	1.73	1.79	1.61	1.62	1.50	1.67
H3	2.37	2.39	4.30	4.47	2.37	2.81	2.75	3.01	2.65	2.59	2.68	2.74	2.43	2.41	3.16	3.04

\* Regulator Port exhaust through Base Port 3.

Note: All Cv's calculated with regulator adjusted full open.

## Operating Pressure



Operator / Function	Internal Pilot	PSIG (Min. kPa) HB	PSIG (Min. kPa) HA	PSIG (Min. kPa) H1	PSIG (Min. kPa) H2	PSIG (Min. kPa) H3
1	Single Solenoid - 2-Pos	25 (173)	25 (173)	25 (173)	25 (173)	35 (241)
2	Double Solenoid - 2-Pos					
3	Single Remote Pilot - 2-Pos **	Vacuum	Vacuum	Vacuum	Vacuum	Vacuum
4	Double Remote Pilot - 2-Pos**					
5, 6, 7	Double Solenoid - 3-Pos APB, CE, PC	35 (241)	35 (241)	35 (241)	50 (345)	50 (345)
8, 9, 0	Double Remote Pilot - 3-Pos** APB, CE, PC	Vacuum	Vacuum	Vacuum	Vacuum	Vacuum
E	Single Solenoid Pilot - 2-Pos Air Return / Spring Assist	30 (207)	30 (207)	35 (241)	45 (310)	45 (310)
F	Single Remote Pilot - 2-Pos** Air Return / Spring Assist					
	External Pilot*	*	*	*	*	*
All	isys	Vacuum	Vacuum	Vacuum	Vacuum	Vacuum

\* External Pilot Pressure / Remote Pilot Supply - 45-145 PSIG (310-1000 kPa).

\*\* Must be equal to or greater than operating pressure.



## Temperature Rating

HB	HA	H1	H2	H3	H4
-15°C to 49°C (5°F to 120°F) Ambient.					

## Response Time\*\* (ms)

Valve Size	Port Size	0 Cu. In. Chamber		## Cu. In. Chamber	
		Fill	Exhaust	Fill	Exhaust
<b>Single Solenoid 2-Position - Air Return / Spring Assist</b>					
HB	1/8"	28	30	141	154
HA	1/4"	24	26	77	124
H1	3/8"	39	41	159	210
H2	1/2"	78	81	219	310
H3	3/4"	90	93	244	320

## HB (12), HA (25), H1 (50), H2 (100), H3 (200)

\*\* With 100 PSIG supply, time required to fill from 0 to 90 PSIG and Exhaust from 100 PSIG to 10 PSIG measured from the instant of energizing or de-energizing 24VDC solenoid.

Tested per ANSI / (NFPA) T3.21.8

## CSA / C-US

H1	H1 Valve - Standard at - 1000kPa (145 PSIG)
H2	H2 Valve - Standard at - 1000kPa (145 PSIG)
H3	H3 Valve - Standard at - 1000kPa (145 PSIG)
H4	H4 Valve - Standard at - 1000kPa (145 PSIG)
H4	H4 Valve - Maximum at - 793kPa (115 PSIG) - Insert an "L" at the end of the valve part number.

## Minimum Operating Voltage

	HB	HA	H1	H2	H3
MOV (24VDC)	20.4	20.4	20.4	20.4	20.4
MOV (120VAC)	102	102	102	102	102

## 5599-2 & 5599-1 AUTO Solenoid Information

Code	Voltage			Power (VA 60Hz/W)	Holding (mA)
	AC		DC		
	60Hz	50Hz			
42	24	24	—	4.0VA	165
45	—	—	12	2.4W	197
B9*	—	—	24	3.2W	136
23*	120	110	—	4.6VA	40
57	240	230	—	5.0VA	21

\* Data tested with LED and Surge Suppression.

Voltage rated +10 / -15%.

## 5599-1 CNOMO Solenoid Information

Code	Voltage			3-Pin 30mm "L"	
	AC		DC	Power (VA 60Hz/W)	Holding (mA)
	60Hz	50Hz			
19	—	—	24	2.8W	117
42	24	24	—	3.8VA	157
45	—	—	12	2.4W	211
49	—	—	24	2.7W	111
53	120	110	—	3.7VA	32
57	240	230	—	3.6VA	15

## Solenoid Information

Voltage Range +10% / -15% of Nominal

Code	Voltage			Power Consumption (Watts)	AC		DC
	60Hz	50Hz	DC		Inrush (Amps)	Hold (Amps)	
B9*	—	—	24	3.1	—	—	0.105
42**	24	—	—	6.0	.60	.41	—
43	—	24	—	6.0	.57	.40	—
45**	—	—	12	6.0	—	—	.47
49	—	—	24	6.0	—	—	.23
51	—	—	48	6.0	—	—	.14
53	120	110	—	6.0	.12	.10	—
57**	240	—	—	6.0	.07	.045	—
59**	—	240	—	6.0	.07	.033	—
23/83***†	120	110	—	6.0	.12	.10	—

\* Low watt with surge suppression (Blue).

\*\* Voltages available as kits only.

† This coil contains an MOV as standard for surge suppression.



## Plug-In Solenoid Kits

Voltage Range +10% / -15% of Nominal

Voltage Code	Coil Kit Number	
	With Indicator Light	Unlighted
42**	—	K252 031
43	—	K252 032
45**	—	K252 032
<b>49</b>	<b>K252 033</b>	—
51	—	K252 035
<b>53</b>	<b>K252 040†‡</b>	—
57**	—	K252 038
59**	—	K252 039
<b>23 / 83** ‡</b>	<b>K252 040‡</b>	—

\* Low watt with surge suppression (Blue).

\*\* Voltages available as kits only.

† Replacement coil when Automotive Option "C", "F", & "G" are specified in the valve model number.

‡ This coil contains an MOV as standard for surge suppression.

## 5599-2 & 5599-1 AUTO Solenoid Kits

Voltage Code	Override Non-Locking
42 (24VAC)	PS404142P
45 (12VDC)	PS404145P
B9 (24VDC)	PS4041B9P
23 (120VAC)	PS404123P
57 (240VAC)	PS404157P

Quantity 1

## 5599-1 CNOMO Solenoid Kits

Voltage Code	3-Pin 30mm 'L' Coil Kit	2-Pin M12 Euro '6' Coil Kit
19	—	PS2828619P
42	PS2828A42P	—
45	PS2828A45P	—
49	PS2828A49P	—
53	PS2828A53P	—
57	PS2828A57P	—

Quantity 1

## Body Service Kits

Valve Size	2-Position	3-Position			Kit Includes:
		APB	CE	PC	
HB	PS5601P	PS5602P	PS5603P	PS5604P	Spool assembly with seals, all piston seals, return and spring, pilot selector gasket, coil to end cap gasket.
HA	PS5501P	PS5502P	PS5503P	PS5504P	
H1	PS4001CP	PS4002CP	PS4003CP	PS4004CP	
H2	PS4101CP	PS4102CP	PS4103CP	PS4104CP	
H3	PS4201CP	PS4202CP	PS4203CP	PS4204CP	
H4	P00186	P00187	P00249	P00359	Spool Kit
	PS1401 * PS1402 †	PS1438	PS1438	PS1438	Valve body o-rings, piston seals and lubricant.

\* Used with Single Solenoid or Single Remote Pilot Valve.

† Used with Double Solenoid or Double Remote Pilot Valve.

Quantity 1

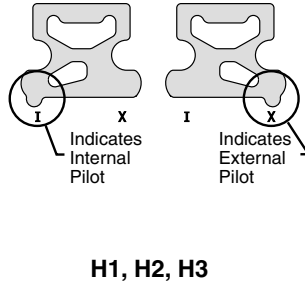
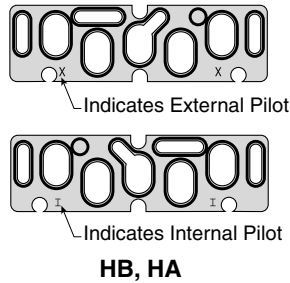




### Pilot Select Gasket

Valve Size	Kit Number
HB	PS5605P
HA	PS5505P
H1	PS4007P
H2	PS4007P
H3	PS4007P

Quantity 10



### Valve to Base Gasket Kits

Series	Standard	Remote Pilot	Dual Pressure #3	Dual Pressure #5
HB	PS5605P	—	—	—
HA	PS5505P	—	—	—
H1	PS4005CP	PS4006CP	PS40D3CP	—
H2	PS4105CP	PS4106CP	PS41D3CP	PS41D5CP
H3	PS4205CP	PS4206CP	PS42D3CP	PS42D5CP

Quantity 1

### Valve to Base Gaskets

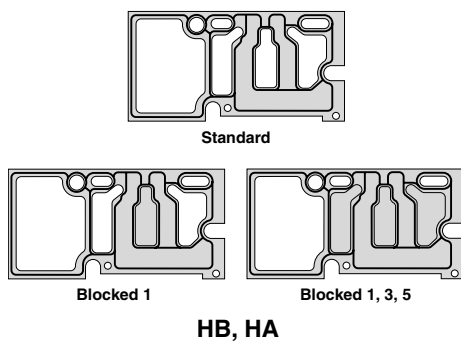
H4

1. Remove valve from base.
2. Remove existing gasket and replace with appropriate gasket shown to fit application.
3. When ordering an “H4” Valve, correct gasket is included with corresponding valve callouts.

### Manifold to Manifold Gasket Kits

Valve Size	Std	Blocked 1	Blocked 1, 3, 5
HB	PS561AP	PS561BP	PS561CP
HA			
H1	PS4013P	—	—
H2	PS4113P	—	—
H3	PS4213P	—	—

Quantity 1



#### Internal Pilot Port #1



P00148

#### Single Remote Air Pilot



P00150

#### External Pilot



P00149

#### Double Remote Air Pilot



P00151

**Note:** For single remote pilot valve with common external pilot, use P00151.



### Valve Bolt Kits

Valve Size	Kit Number
HB	PS5687P
HA	PS5587P
H1	PS4087CP
H2	PS4187CP
H3	PS4287CP

Quantity 12

### Manifold Hardware Kits

Valve Size	Kit Number
HB	PS5612P
HA	PS5512P
H1	PS4012P
H2	PS4112P
H3	PS4212P

Quantity 12

### Sandwich Supply & Exhaust Modules

Valve Size		NPT	BSPP
HB	Supply	PS561600P	PS561601P
	Exhaust	PS561700P	PS561701P
HA	Supply	PS551600P	PS551601P
	Exhaust	PS551700P	PS551701P

Quantity 1

### Pilot Operator CNOMO - LMOR

Valve Size	Kit Number
H1 H2 H3	PS4052P

### Pilot Operator CNOMO - NLMOR

Valve Size	Kit Number
H1 H2 H3	PS4053P

### Pilot By-Pass Plate

Valve Size	Kit Number
H1 H2 H3	PS4051P

Quantity 10

### Regulator Spring Range Kits

Spring Range	H1	H2	H3
0 to 30 PSIG	PS4050030P	PS4150030BP	
2 to 60 PSIG	PS4050060P	PS4150060BP	
5 to 125 PSIG	PS4050125P	PS4150125BP	

Quantity 1

### Regulator & Flow Control Mounting Studs

Type	HB	HA
Flow Control	PS5636P	PS5536P
Regulator	PS5636P	PS5536P

Type	H1	H2	H3
Flow Control	PS4036P	PS4136P	PS4236P
Regulator	PS4040P	PS4140P	PS4240P

Quantity 12

### Regulator Gauge Kits, Size 1, 2, 3

Gauge Type	Kit Number
<b>3/4" Face Air - Standard</b>	
0-60 PSIG	PS4051060BP
<b>0-160 PSIG</b>	<b>PS4051160BP</b>
<b>1-1/2" Face Air - Large*</b>	
0-60 PSIG	PS4053060BP
0-160 PSIG	PS4053160BP
<b>1-1/2" Face Liquid*</b>	
0-160 PSIG	PS4052160BP

\* Includes brass pipe fitting extensions

Quantity 1

### Regulator Conversion Kits

Valve Size	Manual Bonnet Assembly (w/o Spring)	Air Pilot Bonnet Assembly	Independent By-Pass Plate
H1	PS4045BP	PS4047BP	PS4048BP
H2	PS4145BP	PS4147BP	PS4148BP
H3			

Quantity 1

### Regulator Kits

Valve Size	Kit Number
H1	PS4039P
H2 H3	PS4139P



## Subbases

Size	Port Numbers	Port Size	Acceptable Fittings	Notes
H1	#1 to #3 or #5	1/4" BSPP	EO Fittings; Prestolok; P6M Mufflers; EO Plugs	1, 2, 3, 4, 5
		3/8" BSPP	Prestolok; EO Plugs	1, 2, 3, 4, 5
	#2 to #4	1/4" BSPP	EO Fittings; Prestolok; EO Plugs	1, 2, 3, 4, 5
		3/8" BSPP	Prestolok; EO Plugs; EO Fittings	1, 3, 4, 5, 6
	#12 to #2 and #14 to #4	1/8" & 1/4" BSPP	EO Fittings; EO Plugs; Prestolok	1, 2, 3, 4, 5
		1/8" & 3/8" BSPP	Prestolok; EO Plugs	1, 2, 3, 4, 5
#1 to #2 to #3 to #4 to #5 All Inclusive Bottom Ports	1/4" BSPP	EO Fittings; EO Plugs; Prestolok; P6M Mufflers	1, 2, 3, 4, 5	
H2	#1 to #3 or #5	3/8" BSPP	EO Fittings; Prestolok; ES, ASN, P6M Mufflers	1, 2, 3, 4, 5
		1/2" BSPP	EO Fittings; Prestolok; EO Plugs; ASN, P6M Mufflers	1, 2, 3, 4, 5
	#2 to #4	3/8" BSPP	EO Fittings; Prestolok; EO Plugs	1, 2, 3, 4, 5
		1/2" BSPP	EO Fittings; Prestolok; EO Plugs	1, 2, 3, 4, 5
	#12 to #2 and #14 to #4	1/8" & 3/8" BSPP	EO Fittings; EO Plugs; Prestolok	1, 2, 3, 4, 5
		1/8" & 1/2" BSPP	EO Fittings; EO Plugs; Prestolok	1, 2, 3, 4, 5
#1 to #2 to #3 to #4 to #5 All Inclusive Bottom Ports Also Includes #12 & #14	3/8" & 1/2" BSPP	EO Fittings; Prestolok; EO Plugs	1, 2, 3, 4, 5	
H3	#1 to #3 or #5	1/2" BSPP	EO Fittings; EO Plugs; Prestolok; ES, ASN, P6M Mufflers	1, 2, 3, 4, 5
		3/4" BSPP	EO Fittings; EO Plugs; ES & P6M Mufflers	1, 3, 4, 5
	#2 to #4	1/2" BSPP	EO Fittings; EO Plugs; Prestolok	1, 2, 3, 4, 5
		3/4" BSPP	EO Fittings; EO Plugs	1, 3, 4, 5
	#12 to #2 and #14 to #4	1/8" & 1/2" BSPP	EO Fittings; EO Plugs; Prestolok	1, 2, 3, 4, 5
		1/8" & 3/4" BSPP	EO Fittings; EO Plugs	1, 3, 4, 5
#1 to #2 to #3 to #4 to #5 All Inclusive Bottom Ports Also Includes #12 & #14	1/2" & 3/4" BSPP	EO Fittings; EO Plugs; P6M Mufflers; Prestolok	1, 3, 4, 5, 7	

## Manifold Bases

Size	Port Numbers	Port Size	Acceptable Fittings	Notes
H1	End Ports #2 & #4	1/4" BSPP	EO Fittings; Prestolok	1, 2, 3, 4, 5
	Bottom Ports #2 & #4	1/4" BSPP	EO Fittings; Prestolok	1, 2, 3, 4, 5
	End Ports #2 & #4	3/8" BSPP	EO Fittings; Prestolok	1, 2, 3, 4, 5
	Bottom Ports #2 & #4	3/8" BSPP	EO Fittings; Prestolok	1, 2, 3, 4, 5
H2	End Ports #2 & #4	3/8" BSPP	EO Fittings; Prestolok	1, 2, 3, 4, 5
	Bottom Ports #1, #2, & #4	3/8" BSPP	EO Fittings; Prestolok	1, 2, 3, 4, 5
	End Ports #2 & #4	1/2" BSPP	EO Fittings; Prestolok	1, 2, 3, 4, 5
	Bottom Ports #1, #2, & #4	1/2" BSPP	EO Fittings; Prestolok	1, 2, 3, 4, 5
H3	End Ports #2 & #4	1/2" BSPP	EO Fittings; Prestolok	1, 2, 3, 4, 5
	Bottom Ports #2 & #4	1/2" BSPP	EO Fittings; Prestolok	1, 2, 3, 4, 5
	End Ports #2 & #4	3/4" BSPP	EO Fittings	1, 3, 4, 5
	Bottom Ports #2 & #4	3/4" BSPP	EO Fittings	1, 3, 4, 5

## End Plates

Size	Port Numbers	Port Size	Acceptable Fittings	Notes
H1	#1 to #3 & #5	1/2" BSPP	EO Fittings; Prestolok	1, 2, 3, 4, 5
	#12 to #3	1/8" to 1/2" BSPP	EO Fittings; Prestolok; P6M Muffler	1, 2, 3, 4, 5
	#14 to #5	1/8" to 1/2" BSPP	EO Fittings; Prestolok; P6M Muffler	1, 2, 3, 4, 5
H2	#1 to #3 & #5	3/4" BSPP	EO Fittings	1, 3, 4, 5
	#12 to #3	1/8" to 3/4" BSPP	EO Fittings; EO Plugs; P6M Muffler	1, 3, 4, 5
	#14 to #5	1/8" to 3/4" BSPP	EO Fittings; EO Plugs; P6M Muffler	1, 3, 4, 5
H3	#1 to #3 & #5	1" BSPP	EO Fittings	1, 3, 4, 5
	#12 to #3	1/8" to 1" BSPP	EO Fittings; EO Plugs; P6M & ES Muffler	1, 3, 4, 5
	#14 to #5	1/8" to 1" BSPP	EO Fittings; EO Plugs; P6M & ES Muffler	1, 3, 4, 5

## Collective Wiring Interface Plates

Size	Port Numbers	Port Size	Acceptable Fittings	Notes
H1	TOP #1 to #3 & #5	1/2" BSPP	Prestolok; P6M Muffler; EO Fittings	1, 2, 3, 4, 5
H2	TOP #1 to #3 & #5	3/4" BSPP	EO Fittings; P6M & ES Mufflers	1, 3, 4, 5
H3	TOP #1 to #3 & #5	1" BSPP	EO Fittings; P6M & ES Mufflers	1, 3, 4, 5

## General Notes Applicable to Applications

- 1) **EO and EO2 Fittings** are metric tube ends and male BSPP threads to valve components – Light Duty Series – spot faces for B & E and G & H types of flat face sealing. Straights are the **BE-R-ED** Series and elbows are **WEE-R** Adjustable Lock Nut Series.
- 2) **Prestolok Fittings** are metric push-in fittings with tube ends and BSPP threads to valve components. Straights are the **F4PB** Series and elbows are **C64PB** Adjustable Series.
- 3) In most applications, there is not enough swing clearance to install elbows in adjacent ports.
- 4) In a few applications, it may be necessary to remove the tube nut during installation.
- 5) In specifically identified installations, assembly with specific fittings is made provided that the hex points are not aligned along the port center to center line.
- 6) 3/8" EO fittings with 12 mm tubing only.
- 7) Prestolok available in 1/2" size only.





## 5599-2

## 5599-1

### Specifications

- H1: 1.55 Cv
- H2: 3.60 Cv
- H3: 6.60 Cv
- H4: 7.40 Cv

### Operating Pressure

- Vacuum to 145 PSIG

### Ports

- NPT and BSPP “G” Standard
- 1/4 Inch to 3/4 Inch  
Cylinder Ports

### Manifolds

- Terminal Block Wiring
- Collective Wiring
- 25-Pin, D-Sub
- 19-Pin, Round
- Allen Bradley – Dual 12-Pin Round
- FlexSAM Serial Bus
- Transition Plates

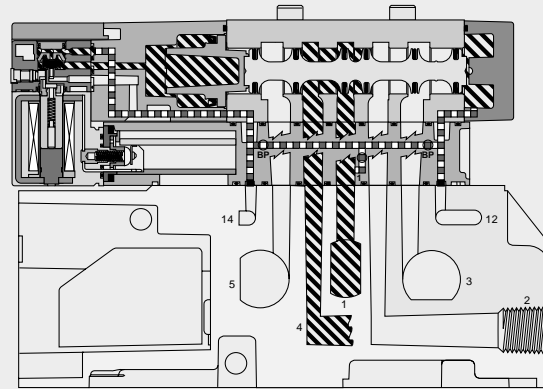
### Certification / Approval

- Approved to be CE Marked
- CSA / NRTL-C Approved
- NEMA 4\*
- IP65 (5599-1 CNOMO)

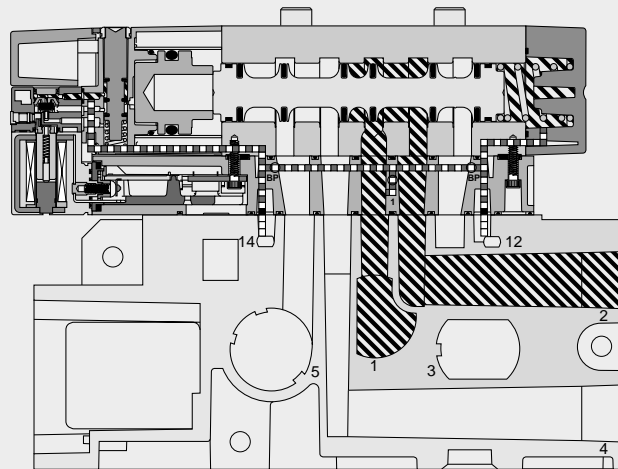
### Solenoids

- Bi-Polar
- Surge Suppression (Standard)
- Low Watt - 1.8 to 3.1 Watt
- Indicator Lights  
(5599-2 and 5599-1 Auto)
- 12VDC to 240VAC

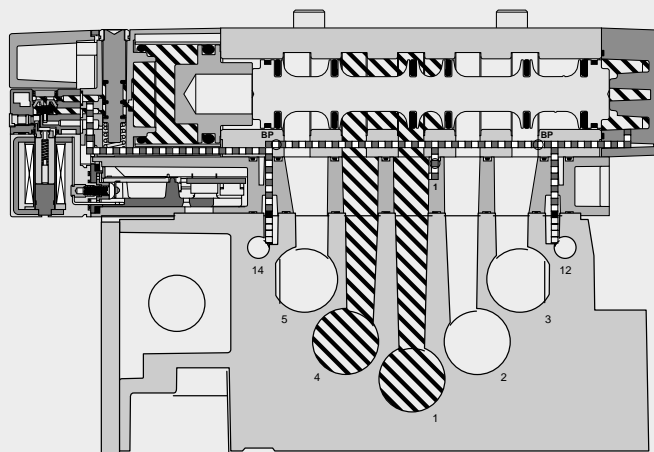
\*5599-2 & 5599-1 Auto Size 1, 2, 3



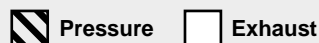
**H1 5599-1 Manifold Mounted**



**H2 5599-2 Manifold Mounted**

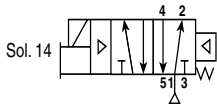


**H3 5599-2 Subbase Mounted**





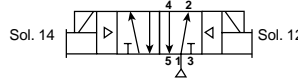
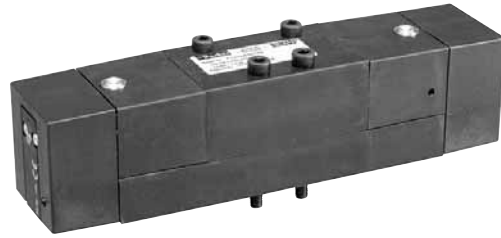
### Single Solenoid 2-Position



<b>H1</b>	H1EVXBG023B	120VAC	1.55 Cv
	H1EVXBG0B9B	24VDC	
<b>H2</b>	H2EVXBG023B	120VAC	3.60 Cv
	H2EVXBG0B9B	24VDC	
<b>H3</b>	H3EVXBG023B	120VAC	6.60 Cv
	H3EVXBG0B9B	24VDC	

NLMOR, Lighted/Surge Suppression, Internal Pilot, Valve Less Base

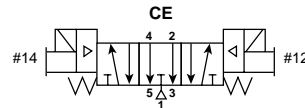
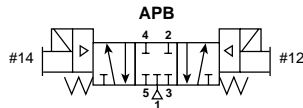
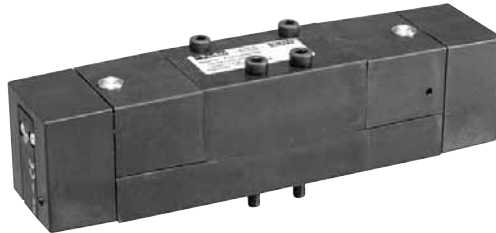
### Double Solenoid 2-Position



<b>H1</b>	H12VXBG023B	120VAC	1.55 Cv
	H12VXBG0B9B	24VDC	
<b>H2</b>	H22VXBG023B	120VAC	3.60 Cv
	H22VXBG0B9B	24VDC	
<b>H3</b>	H32VXBG023B	120VAC	6.60 Cv
	H32VXBG0B9B	24VDC	

NLMOR, Lighted/Surge Suppression, Internal Pilot, Valve Less Base

### Double Solenoid 3-Position APB 3-Position CE



		APB		CE	
<b>H1</b>	H15VXBG023B	120VAC	1.35 Cv	H16VXBG023B	120VAC
	H15VXBG0B9B	24VDC		H16VXBG0B9B	24VDC
<b>H2</b>	P2H25VXBG023B	120VAC	3.10 Cv	H26VXBG023B	120VAC
	H25VXBG0B9B	24VDC		H26VXBG0B9B	24VDC
<b>H3</b>	H35VXBG023B	120VAC	6.30 Cv	H36VXBG023B	120VAC
	H35VXBG0B9B	24VDC		H36VXBG0B9B	24VDC

NLMOR, LED-Surge Suppression, Internal Pilot, Valve Less Base

**\*\* PLEASE NOTE \*\*** Especially when replacing valves on sandwich regulators. External Pilot Source Codes have changed with the new H ISO Valve.

With H ISO Engineering Level 'A'  
L - 12 Ext Pilot, P - 14 Ext Pilot  
With H ISO Engineering Level 'B'  
L - 14 Ext Pilot, P - 12 Ext Pilot

For Hi-Flow Subbases and Manifolds, see pages 55 and 56.

**NOTE: Shaded options have been discontinued. Refer to back of Catalog for Cross Reference Information.**



**BOLD OPTIONS ARE STOCKED**

Basic Series	Operator/Function	Mounting/Port Size	Pilot Source/Pilot Exhaust	Overrides/Lights	Enclosure/Lead Length	Voltage & Frequency	Options	Automotive Wiring Options	Engineering Level																																																																		
<b>H1</b>	<b>E</b>	<b>17</b>	<b>B</b>	<b>G</b>	<b>C</b>	<b>23</b>	<b>---</b>	<b>-</b>	<b>B</b>																																																																		
<table border="1"> <tr> <td><b>5599-2 Basic Series</b></td> <td><b>5599-2 Pilot Source / Pilot Exhaust</b></td> <td><b>5599-2 Enclosure / Lead Length**</b></td> <td><b>5599-2 Engineering Level</b></td> </tr> <tr> <td>H1 ISO 5599-2 Size 1 H2 ISO 5599-2 Size 2 H3 ISO 5599-2 Size 3</td> <td>0 None, Remote Pilot Valve <b>B Internal Pilot, Port #1 / Vented</b> L* External, Pilot #14 / Vented P* External, Pilot #12 / Vented</td> <td>0 None, Remote Pilot Valve or Valve Less Base 7† 3-Pin Mini Connector in Base (Single Solenoid Only) 8*‡ 4-Pin M12 Euro Connector in Base 9† 5-Pin Mini Connector in Base A 6" Leads in Base B 72" Leads in Base <b>C Individual Terminal Block</b> J‡ Circuit Board, Single Address <b>M‡ Circuit Board, Double Address</b> T† SAM Generation 3.0 Wiring W 144" Leads in Base</td> <td>B Current</td> </tr> <tr> <td colspan="2"><b>5599-2 Operator / Function</b></td> <td><b>5599-2 Automotive Wiring Options</b></td> <td><b>5599-2 Options</b></td> </tr> <tr> <td colspan="2">1 Single Solenoid, 2-Position - Air Return 2 <b>Double Solenoid, 2-Position</b> 3 Single Remote Pilot, 2-Position - Air Return 4 Double Remote Pilot, 2-Position 5 <b>Double Solenoid, 3-Position - APB</b> 6 <b>Double Solenoid, 3-Position - CE</b> 7 Double Solenoid, 3-Position - PC 8 Double Remote Pilot, 3-Position - APB 9 Double Remote Pilot, 3-Position - CE 0 Double Remote Pilot, 3-Position - PC E <b>Single Solenoid, 2-Position - Air Return / Spring Assist</b> F Single Remote Pilot, 2-Position - Air Return / Spring Assist</td> <td>Blank None C* Chrysler F* SAE / Ford G* General Motors <small>* Required with Enclosure "7", "8", "9" Only.</small></td> <td>Blank None 000 No Sandwich Options with Wiring Options C', F', G' 001 Sandwich Flow Control 166 Common Port Regulator, 0-125 PSIG w/Gauge 206 Single Port Regulator - Port #2, 125 PSIG w/Gauge 260 Single Port Regulator - Port #4, 125 PSIG w/Gauge 266 Dual Port Regulator - Port #2 &amp; #4, 125 PSIG w/Gauge 466 Sandwich Flow Control &amp; Common Port Regulator, 0-125 PSIG w/Gauge <small>For other regulator options, use last three digits from the "Sandwich Regulator Ordering Information".</small></td> </tr> <tr> <td colspan="2"><b>5599-2 Overrides / Lights</b></td> <td><b>5599-2 Voltage &amp; Frequency</b></td> <td></td> </tr> <tr> <td colspan="2">0 None, Remote Pilot Valve <b>G Heavy Duty Non-Lock / Lighted</b> K* Extended Locking / Lighted M Non-Lock Flush Turn / Lighted (H1 Only) <small>* N/A with Voltage Codes 12, 15 &amp; 87.</small></td> <td> <table border="1"> <thead> <tr> <th rowspan="2"></th> <th colspan="2">AC</th> <th rowspan="2">DC</th> <th rowspan="2">Light &amp; Surge Sup</th> </tr> <tr> <th>60Hz</th> <th>50Hz</th> </tr> </thead> <tbody> <tr> <td>12†</td> <td>24</td> <td>24</td> <td></td> <td>LED &amp; Sup</td> </tr> <tr> <td>15†</td> <td></td> <td></td> <td>12</td> <td>LED &amp; Sup</td> </tr> <tr> <td><b>B9**</b></td> <td></td> <td></td> <td><b>24</b></td> <td><b>LED &amp; Sup</b></td> </tr> <tr> <td><b>23</b></td> <td><b>120</b></td> <td><b>115</b></td> <td></td> <td><b>LED &amp; Sup</b></td> </tr> <tr> <td>83*</td> <td>120</td> <td>115</td> <td></td> <td>Neon &amp; Sup</td> </tr> <tr> <td>87††</td> <td>240</td> <td>230</td> <td></td> <td>Neon &amp; Sup</td> </tr> <tr> <td>XX</td> <td colspan="3">Remote Pilot</td> <td></td> </tr> </tbody> </table> </td> <td></td> </tr> </table>										<b>5599-2 Basic Series</b>	<b>5599-2 Pilot Source / Pilot Exhaust</b>	<b>5599-2 Enclosure / Lead Length**</b>	<b>5599-2 Engineering Level</b>	H1 ISO 5599-2 Size 1 H2 ISO 5599-2 Size 2 H3 ISO 5599-2 Size 3	0 None, Remote Pilot Valve <b>B Internal Pilot, Port #1 / Vented</b> L* External, Pilot #14 / Vented P* External, Pilot #12 / Vented	0 None, Remote Pilot Valve or Valve Less Base 7† 3-Pin Mini Connector in Base (Single Solenoid Only) 8*‡ 4-Pin M12 Euro Connector in Base 9† 5-Pin Mini Connector in Base A 6" Leads in Base B 72" Leads in Base <b>C Individual Terminal Block</b> J‡ Circuit Board, Single Address <b>M‡ Circuit Board, Double Address</b> T† SAM Generation 3.0 Wiring W 144" Leads in Base	B Current	<b>5599-2 Operator / Function</b>		<b>5599-2 Automotive Wiring Options</b>	<b>5599-2 Options</b>	1 Single Solenoid, 2-Position - Air Return 2 <b>Double Solenoid, 2-Position</b> 3 Single Remote Pilot, 2-Position - Air Return 4 Double Remote Pilot, 2-Position 5 <b>Double Solenoid, 3-Position - APB</b> 6 <b>Double Solenoid, 3-Position - CE</b> 7 Double Solenoid, 3-Position - PC 8 Double Remote Pilot, 3-Position - APB 9 Double Remote Pilot, 3-Position - CE 0 Double Remote Pilot, 3-Position - PC E <b>Single Solenoid, 2-Position - Air Return / Spring Assist</b> F Single Remote Pilot, 2-Position - Air Return / Spring Assist		Blank None C* Chrysler F* SAE / Ford G* General Motors <small>* Required with Enclosure "7", "8", "9" Only.</small>	Blank None 000 No Sandwich Options with Wiring Options C', F', G' 001 Sandwich Flow Control 166 Common Port Regulator, 0-125 PSIG w/Gauge 206 Single Port Regulator - Port #2, 125 PSIG w/Gauge 260 Single Port Regulator - Port #4, 125 PSIG w/Gauge 266 Dual Port Regulator - Port #2 & #4, 125 PSIG w/Gauge 466 Sandwich Flow Control & Common Port Regulator, 0-125 PSIG w/Gauge <small>For other regulator options, use last three digits from the "Sandwich Regulator Ordering Information".</small>	<b>5599-2 Overrides / Lights</b>		<b>5599-2 Voltage &amp; Frequency</b>		0 None, Remote Pilot Valve <b>G Heavy Duty Non-Lock / Lighted</b> K* Extended Locking / Lighted M Non-Lock Flush Turn / Lighted (H1 Only) <small>* N/A with Voltage Codes 12, 15 &amp; 87.</small>		<table border="1"> <thead> <tr> <th rowspan="2"></th> <th colspan="2">AC</th> <th rowspan="2">DC</th> <th rowspan="2">Light &amp; Surge Sup</th> </tr> <tr> <th>60Hz</th> <th>50Hz</th> </tr> </thead> <tbody> <tr> <td>12†</td> <td>24</td> <td>24</td> <td></td> <td>LED &amp; Sup</td> </tr> <tr> <td>15†</td> <td></td> <td></td> <td>12</td> <td>LED &amp; Sup</td> </tr> <tr> <td><b>B9**</b></td> <td></td> <td></td> <td><b>24</b></td> <td><b>LED &amp; Sup</b></td> </tr> <tr> <td><b>23</b></td> <td><b>120</b></td> <td><b>115</b></td> <td></td> <td><b>LED &amp; Sup</b></td> </tr> <tr> <td>83*</td> <td>120</td> <td>115</td> <td></td> <td>Neon &amp; Sup</td> </tr> <tr> <td>87††</td> <td>240</td> <td>230</td> <td></td> <td>Neon &amp; Sup</td> </tr> <tr> <td>XX</td> <td colspan="3">Remote Pilot</td> <td></td> </tr> </tbody> </table>		AC		DC	Light & Surge Sup	60Hz	50Hz	12†	24	24		LED & Sup	15†			12	LED & Sup	<b>B9**</b>			<b>24</b>	<b>LED &amp; Sup</b>	<b>23</b>	<b>120</b>	<b>115</b>		<b>LED &amp; Sup</b>	83*	120	115		Neon & Sup	87††	240	230		Neon & Sup	XX	Remote Pilot				
<b>5599-2 Basic Series</b>	<b>5599-2 Pilot Source / Pilot Exhaust</b>	<b>5599-2 Enclosure / Lead Length**</b>	<b>5599-2 Engineering Level</b>																																																																								
H1 ISO 5599-2 Size 1 H2 ISO 5599-2 Size 2 H3 ISO 5599-2 Size 3	0 None, Remote Pilot Valve <b>B Internal Pilot, Port #1 / Vented</b> L* External, Pilot #14 / Vented P* External, Pilot #12 / Vented	0 None, Remote Pilot Valve or Valve Less Base 7† 3-Pin Mini Connector in Base (Single Solenoid Only) 8*‡ 4-Pin M12 Euro Connector in Base 9† 5-Pin Mini Connector in Base A 6" Leads in Base B 72" Leads in Base <b>C Individual Terminal Block</b> J‡ Circuit Board, Single Address <b>M‡ Circuit Board, Double Address</b> T† SAM Generation 3.0 Wiring W 144" Leads in Base	B Current																																																																								
<b>5599-2 Operator / Function</b>		<b>5599-2 Automotive Wiring Options</b>	<b>5599-2 Options</b>																																																																								
1 Single Solenoid, 2-Position - Air Return 2 <b>Double Solenoid, 2-Position</b> 3 Single Remote Pilot, 2-Position - Air Return 4 Double Remote Pilot, 2-Position 5 <b>Double Solenoid, 3-Position - APB</b> 6 <b>Double Solenoid, 3-Position - CE</b> 7 Double Solenoid, 3-Position - PC 8 Double Remote Pilot, 3-Position - APB 9 Double Remote Pilot, 3-Position - CE 0 Double Remote Pilot, 3-Position - PC E <b>Single Solenoid, 2-Position - Air Return / Spring Assist</b> F Single Remote Pilot, 2-Position - Air Return / Spring Assist		Blank None C* Chrysler F* SAE / Ford G* General Motors <small>* Required with Enclosure "7", "8", "9" Only.</small>	Blank None 000 No Sandwich Options with Wiring Options C', F', G' 001 Sandwich Flow Control 166 Common Port Regulator, 0-125 PSIG w/Gauge 206 Single Port Regulator - Port #2, 125 PSIG w/Gauge 260 Single Port Regulator - Port #4, 125 PSIG w/Gauge 266 Dual Port Regulator - Port #2 & #4, 125 PSIG w/Gauge 466 Sandwich Flow Control & Common Port Regulator, 0-125 PSIG w/Gauge <small>For other regulator options, use last three digits from the "Sandwich Regulator Ordering Information".</small>																																																																								
<b>5599-2 Overrides / Lights</b>		<b>5599-2 Voltage &amp; Frequency</b>																																																																									
0 None, Remote Pilot Valve <b>G Heavy Duty Non-Lock / Lighted</b> K* Extended Locking / Lighted M Non-Lock Flush Turn / Lighted (H1 Only) <small>* N/A with Voltage Codes 12, 15 &amp; 87.</small>		<table border="1"> <thead> <tr> <th rowspan="2"></th> <th colspan="2">AC</th> <th rowspan="2">DC</th> <th rowspan="2">Light &amp; Surge Sup</th> </tr> <tr> <th>60Hz</th> <th>50Hz</th> </tr> </thead> <tbody> <tr> <td>12†</td> <td>24</td> <td>24</td> <td></td> <td>LED &amp; Sup</td> </tr> <tr> <td>15†</td> <td></td> <td></td> <td>12</td> <td>LED &amp; Sup</td> </tr> <tr> <td><b>B9**</b></td> <td></td> <td></td> <td><b>24</b></td> <td><b>LED &amp; Sup</b></td> </tr> <tr> <td><b>23</b></td> <td><b>120</b></td> <td><b>115</b></td> <td></td> <td><b>LED &amp; Sup</b></td> </tr> <tr> <td>83*</td> <td>120</td> <td>115</td> <td></td> <td>Neon &amp; Sup</td> </tr> <tr> <td>87††</td> <td>240</td> <td>230</td> <td></td> <td>Neon &amp; Sup</td> </tr> <tr> <td>XX</td> <td colspan="3">Remote Pilot</td> <td></td> </tr> </tbody> </table>		AC		DC	Light & Surge Sup	60Hz	50Hz	12†	24	24		LED & Sup	15†			12	LED & Sup	<b>B9**</b>			<b>24</b>	<b>LED &amp; Sup</b>	<b>23</b>	<b>120</b>	<b>115</b>		<b>LED &amp; Sup</b>	83*	120	115		Neon & Sup	87††	240	230		Neon & Sup	XX	Remote Pilot																																		
	AC			DC	Light & Surge Sup																																																																						
	60Hz	50Hz																																																																									
12†	24	24		LED & Sup																																																																							
15†			12	LED & Sup																																																																							
<b>B9**</b>			<b>24</b>	<b>LED &amp; Sup</b>																																																																							
<b>23</b>	<b>120</b>	<b>115</b>		<b>LED &amp; Sup</b>																																																																							
83*	120	115		Neon & Sup																																																																							
87††	240	230		Neon & Sup																																																																							
XX	Remote Pilot																																																																										

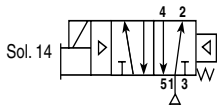
H1 Mounting Base Style / Port Size Hi-Flow Bases 5599-2	H2 Mounting Base Style / Port Size Hi-Flow Bases 5599-2	H3 Mounting Base Style / Port Size Hi-Flow Bases 5599-2
<b>13‡ Subbase: 1/4 NPT Side Ports</b> 15‡ Subbase: 3/8 NPT Side Ports 16‡ Subbase: 3/8 BSPP Side Ports 23‡ Subbase: 1/4 NPT Bottom / Side Port 24‡ Subbase: 1/4 BSPP Bottom / Side Port 25‡ Subbase: 3/8 NPT Bottom / Side Port 63 Manifold: 1/4 NPT Bottom / End Port 65 Manifold: 3/8 NPT Bottom / End Port 66 Manifold: 3/8 BSPP Bottom / End Port 85 Manifold: 3/8 NPT Bottom / End Port - Aux In/Out 86 Manifold: 3/8 BSPP Bottom / End Port - Aux In/Out <b>VX‡ Valve Less Base - 5599-2</b>	15‡ Subbase: 3/8 NPT Side Ports 17‡ Subbase: 1/2 NPT Side Ports 18‡ Subbase: 1/2 BSPP Side Ports 25‡ Subbase: 3/8 NPT Bottom / Side Port 27‡ Subbase: 1/2 NPT Bottom / Side Port 55 Manifold: 3/8 NPT End Port 57 Manifold: 1/2 NPT End Port 65 Manifold: 3/8 NPT Bottom / End Port 67 Manifold: 1/2 NPT Bottom / End Port 68 Manifold: 1/2 BSPP Bottom / End Port <b>VX‡ Valve Less Base - 5599-2</b>	<b>17‡ Subbase: 1/2 NPT Side Ports</b> 19‡ Subbase: 3/4 NPT Side Ports 10‡ Subbase: 3/4 BSPP Side Ports 27‡ Subbase: 1/2 NPT Bottom / Side Port 29‡ Subbase: 3/4 NPT Bottom / Side Port 57 Manifold: 1/2 NPT End Port 59 Manifold: 3/4 NPT End Port 67 Manifold: 1/2 NPT Bottom / End Port 69 Manifold: 3/4 NPT Bottom / End Port 60 Manifold: 3/4 BSPP Bottom / End Port <b>VX‡ Valve Less Base - 5599-2</b>

‡ Not available with Enclosures "J" and "M" and Voltage Code 87.

**NOTE: Shaded options have been discontinued. Refer to back of Catalog for Cross Reference Information.**



**Single Solenoid**  
**2-Position**



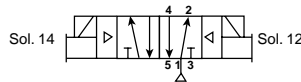
<b>H1</b>	H1EWXBG323000*B	120VAC	1.55 Cv
	H1EWXBG2B9000*B	24VDC	
<b>H2</b>	H2EWXBG323000*B	120VAC	3.60 Cv
	H2EWXBG2B9000*B	24VDC	
<b>H3</b>	H3EWXBG323000*B	120VAC	6.60 Cv
	H3EWXBG2B9000*B	24VDC	

Auto Connector, NLMOR, Lighted/Surge Suppression, Internal Pilot, Valve Less Base

H##WXBG323000\*B – 5-Pin Mini Connector

H##WXBG2B9000\*B – 4-Pin M12 Euro Connector

**Double Solenoid**  
**2-Position**



<b>H1</b>	H12WXBG323000*B	120VAC	1.55 Cv
	H12WXBG2B9000*B	24VDC	
<b>H2</b>	H22WXBG323000*B	120VAC	3.60 Cv
	H22WXBG2B9000*B	24VDC	
<b>H3</b>	H32WXBG323000*B	120VAC	6.60 Cv
	H32WXBG2B9000*B	24VDC	

Auto Connector, NLMOR, Lighted/Surge Suppression, Internal Pilot, Valve Less Base

H##WXBG323000\*B – 5-Pin Mini Connector

H##WXBG2B9000\*B – 4-Pin M12 Euro Connector

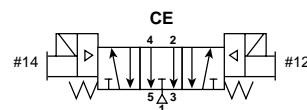
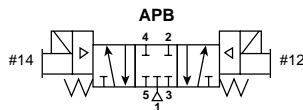
**Double Solenoid**  
**3-Position APB**  
**3-Position CE**



**\* Specify Automotive Wiring Code**

- C - Chrysler**
- F - SAE / Ford**
- G - GM**

See page 21 for Pin Designations



<b>APB</b>				<b>CE</b>			
<b>H1</b>	H15WXBG323000*B	120VAC	1.35 Cv	H16WXBG323000*B	120VAC	1.35 Cv	
	H15WXBG2B9000*B	24VDC		H16WXBG2B9000*B	24VDC		
<b>H2</b>	H25WXBG323000*B	120VAC	3.10 Cv	H26WXBG323000*B	120VAC	3.70 Cv	
	H25WXBG2B9000*B	24VDC		H26WXBG2B9000*B	24VDC		
<b>H3</b>	H35WXBG323000*B	120VAC	6.30 Cv	H36WXBG323000*B	120VAC	6.40 Cv	
	H35WXBG2B9000*B	24VDC		H36WXBG2B9000*B	24VDC		

Auto Connector, NLMOR, LED-Surge Suppression, Internal Pilot, Valve Less Base

H##WXBG323000\*B – 5-Pin Mini Connector

H##WXBG2B9000\*B – 4-Pin M12 Euro Connector

For Compact and VDMA Subbase and Manifold, see pages 53 and 54.

For Hi-Flow Subbases and Manifolds, see pages 55 and 56.

**\*\* PLEASE NOTE \*\*** Especially when replacing valves on sandwich regulators. External Pilot Source Codes have changed with the new H ISO Valve.

With H ISO Engineering Level 'A'

L - 12 Ext Pilot, P - 14 Ext Pilot

With H ISO Engineering Level 'B'

L - 14 Ext Pilot, P - 12 Ext Pilot

**NOTE: Shaded options have been discontinued. Refer to back of Catalog for Cross Reference Information.**





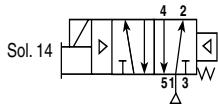
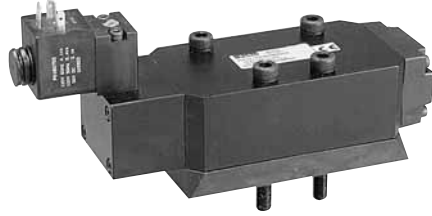
**BOLD OPTIONS ARE STOCKED**

Basic Series	Operator/Function	Mounting/Port Size	Pilot Source/Pilot Exhaust	Overrides/Lights	Enclosure/Lead Length	Voltage & Frequency	Options	Automotive Wiring Options	Engineering Level																																								
<b>H1</b>	<b>E</b>	<b>15</b>	<b>B</b>	<b>G</b>	<b>3</b>	<b>23</b>	<b>---</b>	<b>C</b>	<b>B</b>																																								
<b>5599-1 Basic Series</b> H1 ISO 5599-1 Size 1 H2 ISO 5599-1 Size 2 H3 ISO 5599-1 Size 3	<b>5599-1 Operator / Function</b> 1 Single Solenoid, 2-Position - Air Return 2 <b>Double Solenoid, 2-Position</b> 3 Single Remote Pilot, 2-Position - Air Return 4 Double Remote Pilot, 2-Position 5 <b>Double Solenoid, 3-Position - APB</b> 6 <b>Double Solenoid, 3-Position - CE</b> 7 Double Solenoid, 3-Position - PC 8 Double Remote Pilot, 3-Position - APB 9 Double Remote Pilot, 3-Position - CE 0 Double Remote Pilot, 3-Position - PC E <b>Single Solenoid 2-Position - Air Return / Spring Assist</b> F Single Remote Pilot, 2-Position - Air Return / Spring Assist	<b>5599-1 Pilot Source / Pilot Exhaust</b> 0 None, Remote Pilot Valve B <b>Internal Pilot, Port #1 / Vented</b> L* External, Pilot #14 / Vented P* External, Pilot #12 / Vented * See gray box.	<b>5599-1 Overrides / Lights</b> 0 None, Remote Pilot Valve G <b>Heavy Duty Non-Lock / Lighted</b> K* Extended Locking / Lighted M Non-Lock Flush Turn / Lighted (H1 Only) * N/A with Voltage Codes 12, 15 & 87.	<b>5599-1 Enclosure / Lead Length**</b> 0 None, Remote Pilot Valve 1*† 3-Pin Mini Straight Connector 2*† 4-Pin M12 Micro Straight Connector 3† 5-Pin Mini Automotive Straight Connector V 4-Pin 30mm ISO 4400 Connector * Operator / Function "1" or "E" Only. ** Connections are in the valve. † Must specify Auto Wiring Option "C", "F", or "G". ‡ Voltage Code "B9" Only.	<b>5599-1 Voltage &amp; Frequency</b> <table border="1" style="width:100%; border-collapse: collapse;"> <thead> <tr> <th rowspan="2"></th> <th colspan="2">AC</th> <th rowspan="2">DC</th> <th rowspan="2">Light &amp; Surge Sup</th> </tr> <tr> <th>60Hz</th> <th>50Hz</th> </tr> </thead> <tbody> <tr> <td>12†</td> <td>24</td> <td>24</td> <td></td> <td>LED &amp; Sup</td> </tr> <tr> <td>15†</td> <td></td> <td></td> <td>12</td> <td>LED &amp; Sup</td> </tr> <tr> <td><b>B9**</b></td> <td></td> <td></td> <td><b>24</b></td> <td><b>LED &amp; Sup</b></td> </tr> <tr> <td><b>23</b></td> <td><b>120</b></td> <td><b>115</b></td> <td></td> <td><b>LED &amp; Sup</b></td> </tr> <tr> <td>83*</td> <td>120</td> <td>115</td> <td></td> <td>Neon &amp; Sup</td> </tr> <tr> <td>87†</td> <td>240</td> <td>230</td> <td></td> <td>Neon &amp; Sup</td> </tr> <tr> <td>XX</td> <td colspan="3">Remote Pilot</td> <td></td> </tr> </tbody> </table>		AC		DC	Light & Surge Sup	60Hz	50Hz	12†	24	24		LED & Sup	15†			12	LED & Sup	<b>B9**</b>			<b>24</b>	<b>LED &amp; Sup</b>	<b>23</b>	<b>120</b>	<b>115</b>		<b>LED &amp; Sup</b>	83*	120	115		Neon & Sup	87†	240	230		Neon & Sup	XX	Remote Pilot				<b>5599-1 Automotive Wiring Options</b> Blank None C* Chrysler F* SAE / Ford G* General Motors * Required with Enclosure "1", "2", & "3" Only.	<b>5599-1 Engineering Level</b> B Current
	AC		DC	Light & Surge Sup																																													
	60Hz	50Hz																																															
12†	24	24		LED & Sup																																													
15†			12	LED & Sup																																													
<b>B9**</b>			<b>24</b>	<b>LED &amp; Sup</b>																																													
<b>23</b>	<b>120</b>	<b>115</b>		<b>LED &amp; Sup</b>																																													
83*	120	115		Neon & Sup																																													
87†	240	230		Neon & Sup																																													
XX	Remote Pilot																																																
<b>H1 Mounting Base Style / Port Size Hi-Flow Bases 5599-1</b> 13‡ Subbase: 1/4 NPT Side Ports 15‡ Subbase: 3/8 NPT Side Ports 16‡ Subbase: 3/8 BSPP Side Ports 23‡ Subbase: 1/4 NPT Bottom / Side Port 24‡ Subbase: 1/4 BSPP Bottom / Side Port 25‡ Subbase: 3/8 NPT Bottom / Side Port 63 Manifold: 1/4 NPT Bottom / End Port 65 Manifold: 3/8 NPT Bottom / End Port 66 Manifold: 3/8 BSPP Bottom / End Port 85 Manifold: 3/8 NPT Bottom / End Port - Aux In/Out 86 Manifold: 3/8 BSPP Bottom / End Port - Aux In/Out WX <b>Valve Less Base - 5599-1</b> ‡ Not available with Enclosures "J" and "M" and Voltage Code 87.			<b>H2 Mounting Base Style / Port Size Hi-Flow Bases 5599-1</b> 15‡ Subbase: 3/8 NPT Side Ports 17‡ Subbase: 1/2 NPT Side Ports 18‡ Subbase: 1/2 BSPP Side Ports 25‡ Subbase: 3/8 NPT Bottom / Side Port 27‡ Subbase: 1/2 NPT Bottom / Side Port 55 Manifold: 3/8 NPT End Port 57 Manifold: 1/2 NPT End Port 65 Manifold: 3/8 NPT Bottom / End Port 67 Manifold: 1/2 NPT Bottom / End Port 68 Manifold: 1/2 BSPP Bottom / End Port WX <b>Valve Less Base - 5599-1</b> ‡ Not available with Enclosures "J" and "M" and Voltage 87.			<b>H3 Mounting Base Style / Port Size Hi-Flow Bases/ 5599-1</b> 17‡ Subbase: 1/2 NPT Side Ports 19‡ Subbase: 3/4 NPT Side Ports 10‡ Subbase: 3/4 BSPP Side Ports 27‡ Subbase: 1/2 NPT Bottom / Side Port 29‡ Subbase: 3/4 NPT Bottom / Side Port 57 Manifold: 1/2 NPT End Port 59 Manifold: 3/4 NPT End Port 67 Manifold: 1/2 NPT Bottom / End Port 69 Manifold: 3/4 NPT Bottom / End Port 60 Manifold: 3/4 BSPP Bottom / End Port WX <b>Valve Less Base - 5599-1</b> ‡ Not available with Enclosures "J" and "M" and Voltage 87.																																											

**NOTE: Shaded options have been discontinued. Refer to back of Catalog for Cross Reference Information.**



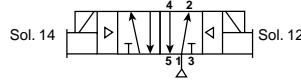
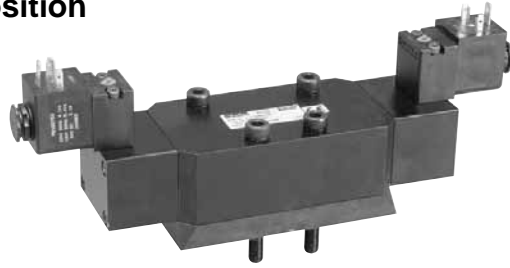
### Single Solenoid 2-Position



<b>H1</b>	H1EWXBBL53B	120VAC	1.55 Cv
	H1EWXBBL49B	24VDC	
<b>H2</b>	H2EWXBBL53B	120VAC	3.60 Cv
	H2EWXBBL49B	24VDC	
<b>H3</b>	H3EWXBBL53B	120VAC	6.60 Cv
	H3EWXBBL49B	24VDC	

30mm 3-Pin Solenoid, NLMOR, Unlighted, Internal Pilot, Valve Less Base

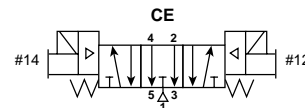
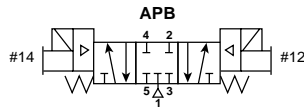
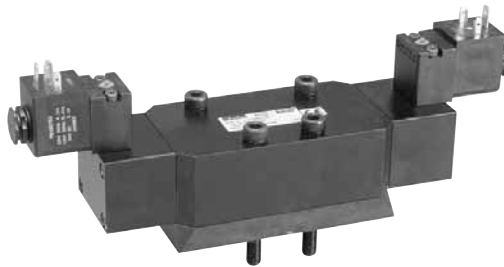
### Double Solenoid 2-Position



<b>H1</b>	H12WXBBL53B	120VAC	1.55 Cv
	H12WXBBL49B	24VDC	
<b>H2</b>	H22WXBBL53B	120VAC	3.60 Cv
	H22WXBBL49B	24VDC	
<b>H3</b>	H32WXBBL53B	120VAC	6.60 Cv
	H32WXBBL49B	24VDC	

30mm 3-Pin Solenoid, NLMOR, Unlighted, Internal Pilot, Valve Less Base

### Double Solenoid 3-Position APB 3-Position CE



APB				CE		
<b>H1</b>	H15WXBBL53B	120VAC	1.35 Cv	H16WXBBL53B	120VAC	1.35 Cv
	H15WXBBL49B	24VDC		H16WXBBL49B	24VDC	
<b>H2</b>	H25WXBBL53B	120VAC	3.10 Cv	H26WXBBL53B	120VAC	3.70 Cv
	H25WXBBL49B	24VDC		H26WXBBL49B	24VDC	
<b>H1</b>	H35WXBBL53B	120VAC	6.30 Cv	H36WXBBL53B	120VAC	6.40 Cv
	H35WXBBL49B	24VDC		H36WXBBL49B	24VDC	

30mm 3-Pin Solenoid, NLMOR, Unlighted, Internal Pilot, Valve Less Base

For Compact and VDMA Subbase and Manifold, see pages 53 and 54.

For Hi-Flow Subbases and Manifolds, see pages 55 and 56.

**\*\* PLEASE NOTE \*\*** Especially when replacing valves on sandwich regulators. External Pilot Source Codes have changed with the new H ISO Valve.

With H ISO Engineering Level 'A'  
L - 12 Ext Pilot, P - 14 Ext Pilot  
With H ISO Engineering Level 'B'  
L - 14 Ext Pilot, P - 12 Ext Pilot

NOTE: Shaded options have been discontinued. Refer to back of Catalog for Cross Reference Information.



**BOLD OPTIONS ARE STANDARD**

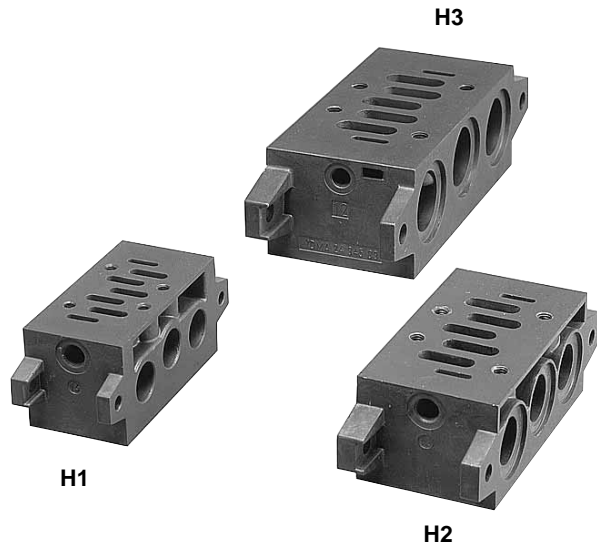
Basic Series	Operator/Function	Mounting/Port Size	Pilot Source/Pilot Exhaust	Overrides/Lights	Enclosure/Lead Length	Voltage & Frequency	Options	Automotive Wiring Options	Engineering Level																																																																										
<b>H1</b>	<b>E</b>	<b>17</b>	<b>B</b>	<b>B</b>	<b>L</b>	<b>53</b>	<b>---</b>	<b>-</b>	<b>B</b>																																																																										
<table border="1" style="width:100%; border-collapse: collapse;"> <tr> <td style="width:10%;"><b>5599-1 Basic Series</b></td> <td style="width:10%;"><b>5599-1 Pilot Source / Pilot Exhaust</b></td> <td style="width:10%;"><b>5599-1 Enclosure / Lead Length**</b></td> <td style="width:10%;"><b>5599-1 Overrides / Lights</b></td> <td style="width:10%;"><b>5599-1 Voltage &amp; Frequency</b></td> <td style="width:10%;"><b>5599-1 Automotive Wiring Options</b></td> <td style="width:10%;"><b>5599-1 Engineering Level</b></td> </tr> <tr> <td>H1 ISO 5599-1 Size 1 H2 ISO 5599-1 Size 2 H3 ISO 5599-1 Size 3</td> <td>0 None, Remote Pilot Valve <b>B Internal Pilot, Port #1 / Vented</b> L* External, Pilot #14 / Vented P* External, Pilot #12 / Vented <small>* See gray box.</small></td> <td>0 None, Remote Pilot Valve <b>6* 2-Pin M12 Euro Connector with CNOMO Operator</b> L <b>3-Pin 30mm DIN 43650A with CNOMO Operator</b> N <b>CNOMO Mounting – No Operator</b> P 3-Pin 22mm DIN Industrial with CNOMO Operator <small>* Only available with Voltage / Wiring "49***FB". ** Connections are in the valve.</small></td> <td>0 None, Remote Pilot Valve or CNOMO Interface Less Operator <b>B Flush, Non-Locking</b> C Flush, Locking <b>G* Flush, Non-Locking / Lighted</b> <small>* Only available with Enclosure "6" and Voltage Code "19".</small></td> <td> <table border="1" style="width:100%; border-collapse: collapse;"> <tr> <th colspan="2"></th> <th colspan="2">AC</th> <th rowspan="2">DC</th> </tr> <tr> <th>Code</th> <th>60Hz</th> <th>50Hz</th> <th></th> </tr> <tr> <td><b>19*</b></td> <td></td> <td></td> <td>24</td> <td>24</td> </tr> <tr> <td>42</td> <td>24</td> <td>24</td> <td></td> <td></td> </tr> <tr> <td><b>49</b></td> <td></td> <td></td> <td><b>24</b></td> <td></td> </tr> <tr> <td><b>53</b></td> <td><b>120</b></td> <td><b>120</b></td> <td></td> <td></td> </tr> <tr> <td>57</td> <td>240</td> <td>230</td> <td></td> <td></td> </tr> <tr> <td><b>XX</b></td> <td colspan="3">Remote Pilot or CNOMO Interface Less Operator</td> <td></td> </tr> </table> <small>* LED &amp; Surge Suppression. Only available with Enclosure "6".</small> </td> <td> <table border="1" style="width:100%; border-collapse: collapse;"> <tr> <th>Blank</th> <th>None</th> </tr> <tr> <td>000</td> <td>No Sandwich Options with Wiring Option 'F'</td> </tr> <tr> <td>001</td> <td>Sandwich Flow Control</td> </tr> <tr> <td>166</td> <td>Common Port Regulator, 0-125 PSIG w/Gauge</td> </tr> <tr> <td>206</td> <td>Single Port Regulator - Port #2, 125 PSIG w/Gauge</td> </tr> <tr> <td>260</td> <td>Single Port Regulator - Port #4, 125 PSIG w/Gauge</td> </tr> <tr> <td>266</td> <td>Dual Port Regulator - Port #2 &amp; #4, 125 PSIG w/Gauge</td> </tr> <tr> <td>466</td> <td>Sandwich Flow Control &amp; Common Port Regulator, 0-125 PSIG w/Gauge</td> </tr> </table> <small>For other regulator options, use last three digits from the "Sandwich Regulator Ordering Information".</small> </td> <td>B Current</td> </tr> </table>										<b>5599-1 Basic Series</b>	<b>5599-1 Pilot Source / Pilot Exhaust</b>	<b>5599-1 Enclosure / Lead Length**</b>	<b>5599-1 Overrides / Lights</b>	<b>5599-1 Voltage &amp; Frequency</b>	<b>5599-1 Automotive Wiring Options</b>	<b>5599-1 Engineering Level</b>	H1 ISO 5599-1 Size 1 H2 ISO 5599-1 Size 2 H3 ISO 5599-1 Size 3	0 None, Remote Pilot Valve <b>B Internal Pilot, Port #1 / Vented</b> L* External, Pilot #14 / Vented P* External, Pilot #12 / Vented <small>* See gray box.</small>	0 None, Remote Pilot Valve <b>6* 2-Pin M12 Euro Connector with CNOMO Operator</b> L <b>3-Pin 30mm DIN 43650A with CNOMO Operator</b> N <b>CNOMO Mounting – No Operator</b> P 3-Pin 22mm DIN Industrial with CNOMO Operator <small>* Only available with Voltage / Wiring "49***FB". ** Connections are in the valve.</small>	0 None, Remote Pilot Valve or CNOMO Interface Less Operator <b>B Flush, Non-Locking</b> C Flush, Locking <b>G* Flush, Non-Locking / Lighted</b> <small>* Only available with Enclosure "6" and Voltage Code "19".</small>	<table border="1" style="width:100%; border-collapse: collapse;"> <tr> <th colspan="2"></th> <th colspan="2">AC</th> <th rowspan="2">DC</th> </tr> <tr> <th>Code</th> <th>60Hz</th> <th>50Hz</th> <th></th> </tr> <tr> <td><b>19*</b></td> <td></td> <td></td> <td>24</td> <td>24</td> </tr> <tr> <td>42</td> <td>24</td> <td>24</td> <td></td> <td></td> </tr> <tr> <td><b>49</b></td> <td></td> <td></td> <td><b>24</b></td> <td></td> </tr> <tr> <td><b>53</b></td> <td><b>120</b></td> <td><b>120</b></td> <td></td> <td></td> </tr> <tr> <td>57</td> <td>240</td> <td>230</td> <td></td> <td></td> </tr> <tr> <td><b>XX</b></td> <td colspan="3">Remote Pilot or CNOMO Interface Less Operator</td> <td></td> </tr> </table> <small>* LED &amp; Surge Suppression. Only available with Enclosure "6".</small>			AC		DC	Code	60Hz	50Hz		<b>19*</b>			24	24	42	24	24			<b>49</b>			<b>24</b>		<b>53</b>	<b>120</b>	<b>120</b>			57	240	230			<b>XX</b>	Remote Pilot or CNOMO Interface Less Operator				<table border="1" style="width:100%; border-collapse: collapse;"> <tr> <th>Blank</th> <th>None</th> </tr> <tr> <td>000</td> <td>No Sandwich Options with Wiring Option 'F'</td> </tr> <tr> <td>001</td> <td>Sandwich Flow Control</td> </tr> <tr> <td>166</td> <td>Common Port Regulator, 0-125 PSIG w/Gauge</td> </tr> <tr> <td>206</td> <td>Single Port Regulator - Port #2, 125 PSIG w/Gauge</td> </tr> <tr> <td>260</td> <td>Single Port Regulator - Port #4, 125 PSIG w/Gauge</td> </tr> <tr> <td>266</td> <td>Dual Port Regulator - Port #2 &amp; #4, 125 PSIG w/Gauge</td> </tr> <tr> <td>466</td> <td>Sandwich Flow Control &amp; Common Port Regulator, 0-125 PSIG w/Gauge</td> </tr> </table> <small>For other regulator options, use last three digits from the "Sandwich Regulator Ordering Information".</small>	Blank	None	000	No Sandwich Options with Wiring Option 'F'	001	Sandwich Flow Control	166	Common Port Regulator, 0-125 PSIG w/Gauge	206	Single Port Regulator - Port #2, 125 PSIG w/Gauge	260	Single Port Regulator - Port #4, 125 PSIG w/Gauge	266	Dual Port Regulator - Port #2 & #4, 125 PSIG w/Gauge	466	Sandwich Flow Control & Common Port Regulator, 0-125 PSIG w/Gauge	B Current					
<b>5599-1 Basic Series</b>	<b>5599-1 Pilot Source / Pilot Exhaust</b>	<b>5599-1 Enclosure / Lead Length**</b>	<b>5599-1 Overrides / Lights</b>	<b>5599-1 Voltage &amp; Frequency</b>	<b>5599-1 Automotive Wiring Options</b>	<b>5599-1 Engineering Level</b>																																																																													
H1 ISO 5599-1 Size 1 H2 ISO 5599-1 Size 2 H3 ISO 5599-1 Size 3	0 None, Remote Pilot Valve <b>B Internal Pilot, Port #1 / Vented</b> L* External, Pilot #14 / Vented P* External, Pilot #12 / Vented <small>* See gray box.</small>	0 None, Remote Pilot Valve <b>6* 2-Pin M12 Euro Connector with CNOMO Operator</b> L <b>3-Pin 30mm DIN 43650A with CNOMO Operator</b> N <b>CNOMO Mounting – No Operator</b> P 3-Pin 22mm DIN Industrial with CNOMO Operator <small>* Only available with Voltage / Wiring "49***FB". ** Connections are in the valve.</small>	0 None, Remote Pilot Valve or CNOMO Interface Less Operator <b>B Flush, Non-Locking</b> C Flush, Locking <b>G* Flush, Non-Locking / Lighted</b> <small>* Only available with Enclosure "6" and Voltage Code "19".</small>	<table border="1" style="width:100%; border-collapse: collapse;"> <tr> <th colspan="2"></th> <th colspan="2">AC</th> <th rowspan="2">DC</th> </tr> <tr> <th>Code</th> <th>60Hz</th> <th>50Hz</th> <th></th> </tr> <tr> <td><b>19*</b></td> <td></td> <td></td> <td>24</td> <td>24</td> </tr> <tr> <td>42</td> <td>24</td> <td>24</td> <td></td> <td></td> </tr> <tr> <td><b>49</b></td> <td></td> <td></td> <td><b>24</b></td> <td></td> </tr> <tr> <td><b>53</b></td> <td><b>120</b></td> <td><b>120</b></td> <td></td> <td></td> </tr> <tr> <td>57</td> <td>240</td> <td>230</td> <td></td> <td></td> </tr> <tr> <td><b>XX</b></td> <td colspan="3">Remote Pilot or CNOMO Interface Less Operator</td> <td></td> </tr> </table> <small>* LED &amp; Surge Suppression. Only available with Enclosure "6".</small>			AC		DC	Code	60Hz	50Hz		<b>19*</b>			24	24	42	24	24			<b>49</b>			<b>24</b>		<b>53</b>	<b>120</b>	<b>120</b>			57	240	230			<b>XX</b>	Remote Pilot or CNOMO Interface Less Operator				<table border="1" style="width:100%; border-collapse: collapse;"> <tr> <th>Blank</th> <th>None</th> </tr> <tr> <td>000</td> <td>No Sandwich Options with Wiring Option 'F'</td> </tr> <tr> <td>001</td> <td>Sandwich Flow Control</td> </tr> <tr> <td>166</td> <td>Common Port Regulator, 0-125 PSIG w/Gauge</td> </tr> <tr> <td>206</td> <td>Single Port Regulator - Port #2, 125 PSIG w/Gauge</td> </tr> <tr> <td>260</td> <td>Single Port Regulator - Port #4, 125 PSIG w/Gauge</td> </tr> <tr> <td>266</td> <td>Dual Port Regulator - Port #2 &amp; #4, 125 PSIG w/Gauge</td> </tr> <tr> <td>466</td> <td>Sandwich Flow Control &amp; Common Port Regulator, 0-125 PSIG w/Gauge</td> </tr> </table> <small>For other regulator options, use last three digits from the "Sandwich Regulator Ordering Information".</small>	Blank	None	000	No Sandwich Options with Wiring Option 'F'	001	Sandwich Flow Control	166	Common Port Regulator, 0-125 PSIG w/Gauge	206	Single Port Regulator - Port #2, 125 PSIG w/Gauge	260	Single Port Regulator - Port #4, 125 PSIG w/Gauge	266	Dual Port Regulator - Port #2 & #4, 125 PSIG w/Gauge	466	Sandwich Flow Control & Common Port Regulator, 0-125 PSIG w/Gauge	B Current																						
		AC		DC																																																																															
Code	60Hz	50Hz																																																																																	
<b>19*</b>			24	24																																																																															
42	24	24																																																																																	
<b>49</b>			<b>24</b>																																																																																
<b>53</b>	<b>120</b>	<b>120</b>																																																																																	
57	240	230																																																																																	
<b>XX</b>	Remote Pilot or CNOMO Interface Less Operator																																																																																		
Blank	None																																																																																		
000	No Sandwich Options with Wiring Option 'F'																																																																																		
001	Sandwich Flow Control																																																																																		
166	Common Port Regulator, 0-125 PSIG w/Gauge																																																																																		
206	Single Port Regulator - Port #2, 125 PSIG w/Gauge																																																																																		
260	Single Port Regulator - Port #4, 125 PSIG w/Gauge																																																																																		
266	Dual Port Regulator - Port #2 & #4, 125 PSIG w/Gauge																																																																																		
466	Sandwich Flow Control & Common Port Regulator, 0-125 PSIG w/Gauge																																																																																		
<table border="1" style="width:100%; border-collapse: collapse;"> <tr> <th colspan="10"><b>5599-1 Operator / Function</b></th> </tr> <tr> <td>1</td><td>2</td><td>3</td><td>4</td><td>5</td><td>6</td><td>7</td><td>8</td><td>9</td><td>0</td><td>E</td><td>F</td> </tr> <tr> <td>Single Solenoid, 2-Position - Air Return</td> <td><b>Double Solenoid, 2-Position</b></td> <td>Single Remote Pilot, 2-Position - Air Return</td> <td>Double Remote Pilot, 2-Position</td> <td><b>Double Solenoid, 3-Position - APB</b></td> <td><b>Double Solenoid, 3-Position - CE</b></td> <td>Double Solenoid, 3-Position - PC</td> <td>Double Remote Pilot, 3-Position - APB</td> <td>Double Remote Pilot, 3-Position - CE</td> <td>Double Remote Pilot, 3-Position - PC</td> <td><b>Single Solenoid, 2-Position - Air Return / Spring Assist</b></td> <td>Single Remote Pilot, 2-Position - Air Return / Spring Assist</td> </tr> </table>										<b>5599-1 Operator / Function</b>										1	2	3	4	5	6	7	8	9	0	E	F	Single Solenoid, 2-Position - Air Return	<b>Double Solenoid, 2-Position</b>	Single Remote Pilot, 2-Position - Air Return	Double Remote Pilot, 2-Position	<b>Double Solenoid, 3-Position - APB</b>	<b>Double Solenoid, 3-Position - CE</b>	Double Solenoid, 3-Position - PC	Double Remote Pilot, 3-Position - APB	Double Remote Pilot, 3-Position - CE	Double Remote Pilot, 3-Position - PC	<b>Single Solenoid, 2-Position - Air Return / Spring Assist</b>	Single Remote Pilot, 2-Position - Air Return / Spring Assist																																								
<b>5599-1 Operator / Function</b>																																																																																			
1	2	3	4	5	6	7	8	9	0	E	F																																																																								
Single Solenoid, 2-Position - Air Return	<b>Double Solenoid, 2-Position</b>	Single Remote Pilot, 2-Position - Air Return	Double Remote Pilot, 2-Position	<b>Double Solenoid, 3-Position - APB</b>	<b>Double Solenoid, 3-Position - CE</b>	Double Solenoid, 3-Position - PC	Double Remote Pilot, 3-Position - APB	Double Remote Pilot, 3-Position - CE	Double Remote Pilot, 3-Position - PC	<b>Single Solenoid, 2-Position - Air Return / Spring Assist</b>	Single Remote Pilot, 2-Position - Air Return / Spring Assist																																																																								
<table border="1" style="width:100%; border-collapse: collapse;"> <tr> <th colspan="2"><b>H1 Mounting Base Style / Port Size Hi-Flow Bases 5599-1</b></th> </tr> <tr> <td>13‡</td><td>Subbase: 1/4 NPT Side Ports</td> </tr> <tr> <td>15‡</td><td>Subbase: 3/8 NPT Side Ports</td> </tr> <tr> <td>16‡</td><td>Subbase: 3/8 BSPP Side Ports</td> </tr> <tr> <td>23‡</td><td>Subbase: 1/4 NPT Bottom / Side Port</td> </tr> <tr> <td>24‡</td><td>Subbase: 1/4 BSPP Bottom / Side Port</td> </tr> <tr> <td>25‡</td><td>Subbase: 3/8 NPT Bottom / Side Port</td> </tr> <tr> <td>63</td><td>Manifold: 1/4 NPT Bottom / End Port</td> </tr> <tr> <td>65</td><td>Manifold: 3/8 NPT Bottom / End Port</td> </tr> <tr> <td>66</td><td>Manifold: 3/8 BSPP Bottom / End Port</td> </tr> <tr> <td>85</td><td>Manifold: 3/8 NPT Bottom / End Port - Aux In/Out</td> </tr> <tr> <td>86</td><td>Manifold: 3/8 BSPP Bottom / End Port - Aux In/Out</td> </tr> <tr> <td><b>WX</b></td><td><b>Valve Less Base - 5599-1</b></td> </tr> </table> <small>‡ Not available with Enclosures "J" and "M" and Voltage Code 87.</small>			<b>H1 Mounting Base Style / Port Size Hi-Flow Bases 5599-1</b>		13‡	Subbase: 1/4 NPT Side Ports	15‡	Subbase: 3/8 NPT Side Ports	16‡	Subbase: 3/8 BSPP Side Ports	23‡	Subbase: 1/4 NPT Bottom / Side Port	24‡	Subbase: 1/4 BSPP Bottom / Side Port	25‡	Subbase: 3/8 NPT Bottom / Side Port	63	Manifold: 1/4 NPT Bottom / End Port	65	Manifold: 3/8 NPT Bottom / End Port	66	Manifold: 3/8 BSPP Bottom / End Port	85	Manifold: 3/8 NPT Bottom / End Port - Aux In/Out	86	Manifold: 3/8 BSPP Bottom / End Port - Aux In/Out	<b>WX</b>	<b>Valve Less Base - 5599-1</b>	<table border="1" style="width:100%; border-collapse: collapse;"> <tr> <th colspan="2"><b>H2 Mounting Base Style / Port Size Hi-Flow Bases 5599-1</b></th> </tr> <tr> <td>15‡</td><td>Subbase: 3/8 NPT Side Ports</td> </tr> <tr> <td>17‡</td><td>Subbase: 1/2 NPT Side Ports</td> </tr> <tr> <td>18‡</td><td>Subbase: 1/2 BSPP Side Ports</td> </tr> <tr> <td>25‡</td><td>Subbase: 3/8 NPT Bottom / Side Port</td> </tr> <tr> <td>27‡</td><td>Subbase: 1/2 NPT Bottom / Side Port</td> </tr> <tr> <td>55</td><td>Manifold: 3/8 NPT End Port</td> </tr> <tr> <td>57</td><td>Manifold: 1/2 NPT End Port</td> </tr> <tr> <td>65</td><td>Manifold: 3/8 NPT Bottom / End Port</td> </tr> <tr> <td>67</td><td>Manifold: 1/2 NPT Bottom / End Port</td> </tr> <tr> <td>68</td><td>Manifold: 1/2 BSPP Bottom / End Port</td> </tr> <tr> <td><b>WX</b></td><td><b>Valve Less Base - 5599-1</b></td> </tr> </table> <small>‡ Not available with Enclosures "J" and "M" and Voltage 87.</small>				<b>H2 Mounting Base Style / Port Size Hi-Flow Bases 5599-1</b>		15‡	Subbase: 3/8 NPT Side Ports	17‡	Subbase: 1/2 NPT Side Ports	18‡	Subbase: 1/2 BSPP Side Ports	25‡	Subbase: 3/8 NPT Bottom / Side Port	27‡	Subbase: 1/2 NPT Bottom / Side Port	55	Manifold: 3/8 NPT End Port	57	Manifold: 1/2 NPT End Port	65	Manifold: 3/8 NPT Bottom / End Port	67	Manifold: 1/2 NPT Bottom / End Port	68	Manifold: 1/2 BSPP Bottom / End Port	<b>WX</b>	<b>Valve Less Base - 5599-1</b>	<table border="1" style="width:100%; border-collapse: collapse;"> <tr> <th colspan="2"><b>H3 Mounting Base Style / Port Size Hi-Flow Bases 5599-1</b></th> </tr> <tr> <td>17‡</td><td>Subbase: 1/2 NPT Side Ports</td> </tr> <tr> <td>19‡</td><td>Subbase: 3/4 NPT Side Ports</td> </tr> <tr> <td>10‡</td><td>Subbase: 3/4 BSPP Side Ports</td> </tr> <tr> <td>27‡</td><td>Subbase: 1/2 NPT Bottom / Side Port</td> </tr> <tr> <td>29‡</td><td>Subbase: 3/4 NPT Bottom / Side Port</td> </tr> <tr> <td>57</td><td>Manifold: 1/2 NPT End Port</td> </tr> <tr> <td>59</td><td>Manifold: 3/4 NPT End Port</td> </tr> <tr> <td>67</td><td>Manifold: 1/2 NPT Bottom / End Port</td> </tr> <tr> <td>69</td><td>Manifold: 3/4 NPT Bottom / End Port</td> </tr> <tr> <td>60</td><td>Manifold: 3/4 BSPP Bottom / End Port</td> </tr> <tr> <td><b>WX</b></td><td><b>Valve Less Base - 5599-1</b></td> </tr> </table> <small>‡ Not available with Enclosures "J" and "M" and Voltage 87.</small>			<b>H3 Mounting Base Style / Port Size Hi-Flow Bases 5599-1</b>		17‡	Subbase: 1/2 NPT Side Ports	19‡	Subbase: 3/4 NPT Side Ports	10‡	Subbase: 3/4 BSPP Side Ports	27‡	Subbase: 1/2 NPT Bottom / Side Port	29‡	Subbase: 3/4 NPT Bottom / Side Port	57	Manifold: 1/2 NPT End Port	59	Manifold: 3/4 NPT End Port	67	Manifold: 1/2 NPT Bottom / End Port	69	Manifold: 3/4 NPT Bottom / End Port	60	Manifold: 3/4 BSPP Bottom / End Port	<b>WX</b>	<b>Valve Less Base - 5599-1</b>
<b>H1 Mounting Base Style / Port Size Hi-Flow Bases 5599-1</b>																																																																																			
13‡	Subbase: 1/4 NPT Side Ports																																																																																		
15‡	Subbase: 3/8 NPT Side Ports																																																																																		
16‡	Subbase: 3/8 BSPP Side Ports																																																																																		
23‡	Subbase: 1/4 NPT Bottom / Side Port																																																																																		
24‡	Subbase: 1/4 BSPP Bottom / Side Port																																																																																		
25‡	Subbase: 3/8 NPT Bottom / Side Port																																																																																		
63	Manifold: 1/4 NPT Bottom / End Port																																																																																		
65	Manifold: 3/8 NPT Bottom / End Port																																																																																		
66	Manifold: 3/8 BSPP Bottom / End Port																																																																																		
85	Manifold: 3/8 NPT Bottom / End Port - Aux In/Out																																																																																		
86	Manifold: 3/8 BSPP Bottom / End Port - Aux In/Out																																																																																		
<b>WX</b>	<b>Valve Less Base - 5599-1</b>																																																																																		
<b>H2 Mounting Base Style / Port Size Hi-Flow Bases 5599-1</b>																																																																																			
15‡	Subbase: 3/8 NPT Side Ports																																																																																		
17‡	Subbase: 1/2 NPT Side Ports																																																																																		
18‡	Subbase: 1/2 BSPP Side Ports																																																																																		
25‡	Subbase: 3/8 NPT Bottom / Side Port																																																																																		
27‡	Subbase: 1/2 NPT Bottom / Side Port																																																																																		
55	Manifold: 3/8 NPT End Port																																																																																		
57	Manifold: 1/2 NPT End Port																																																																																		
65	Manifold: 3/8 NPT Bottom / End Port																																																																																		
67	Manifold: 1/2 NPT Bottom / End Port																																																																																		
68	Manifold: 1/2 BSPP Bottom / End Port																																																																																		
<b>WX</b>	<b>Valve Less Base - 5599-1</b>																																																																																		
<b>H3 Mounting Base Style / Port Size Hi-Flow Bases 5599-1</b>																																																																																			
17‡	Subbase: 1/2 NPT Side Ports																																																																																		
19‡	Subbase: 3/4 NPT Side Ports																																																																																		
10‡	Subbase: 3/4 BSPP Side Ports																																																																																		
27‡	Subbase: 1/2 NPT Bottom / Side Port																																																																																		
29‡	Subbase: 3/4 NPT Bottom / Side Port																																																																																		
57	Manifold: 1/2 NPT End Port																																																																																		
59	Manifold: 3/4 NPT End Port																																																																																		
67	Manifold: 1/2 NPT Bottom / End Port																																																																																		
69	Manifold: 3/4 NPT Bottom / End Port																																																																																		
60	Manifold: 3/4 BSPP Bottom / End Port																																																																																		
<b>WX</b>	<b>Valve Less Base - 5599-1</b>																																																																																		

**NOTE: Shaded options have been discontinued. Refer to back of Catalog for Cross Reference Information.**



## VDMA Manifolds

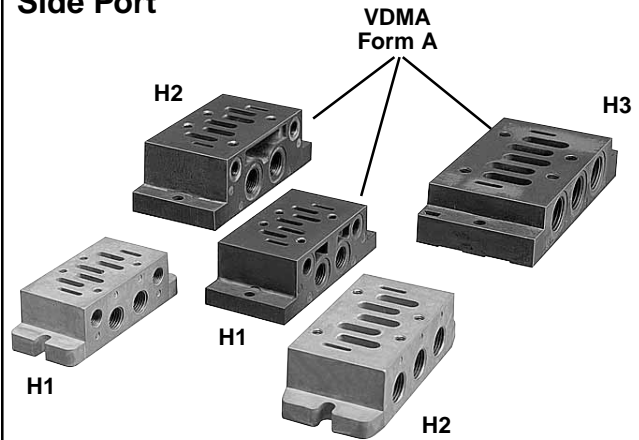
### VDMA Form C Bottom Port



Series	Port Size	BSPP "G"
<b>H1</b>	1/4"	P2N-VM512MB
<b>H2</b>	3/8"	P2N-WM513MB
<b>H3</b>	1/2"	P2N-YM514MB

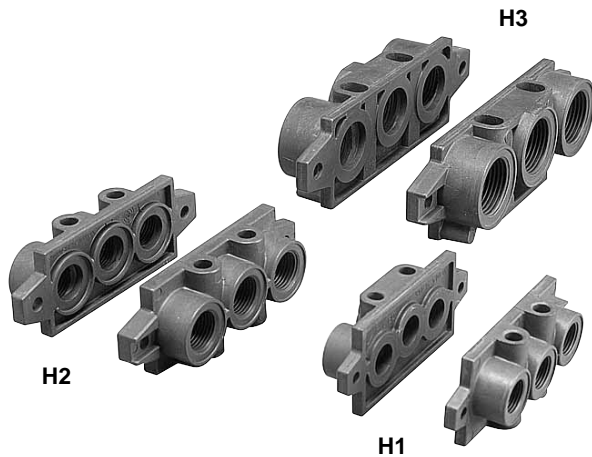
## Subbases

### Side Port



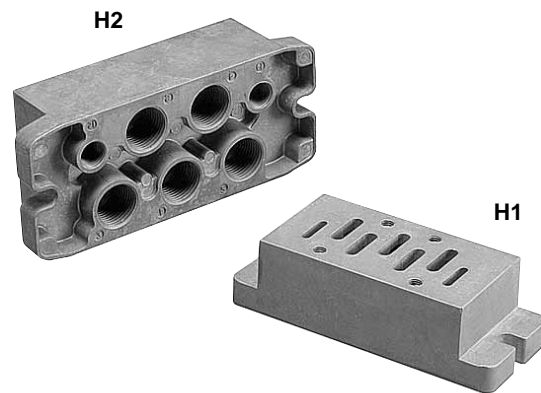
Series	Port Size	NPT	BSPP "G"
<b>H1</b>	1/4"	<b>P2N-GS592SD</b>	P2N-GS512SD
VDMA	1/4"	—	P2N-VS512SD
<b>H2</b>	3/8"	<b>P2N-HS593SS</b>	P2N-HS513SS
VDMA	3/8"	—	P2N-WS513S
<b>H3</b>	1/2"	—	P2N-YS514SD

### VDMA Form D End Plates



Series	Port Size	BSPP "G"
<b>H1</b>	3/8"	P2N-VM513E
<b>H2</b>	1/2"	P2N-WM514ES
<b>H3</b>	1"	P2N-YM518ES

### Bottom Port



Series	Port Size	NPT	BSPP "G"
<b>H1</b>	1/4"	P2N-GS592SB	P2N-GS512SB
<b>H2</b>	3/8"	P2N-HS593SB	P2N-HS513SB

**NOTE: Shaded options have been discontinued. Refer to back of Catalog for Cross Reference Information.**

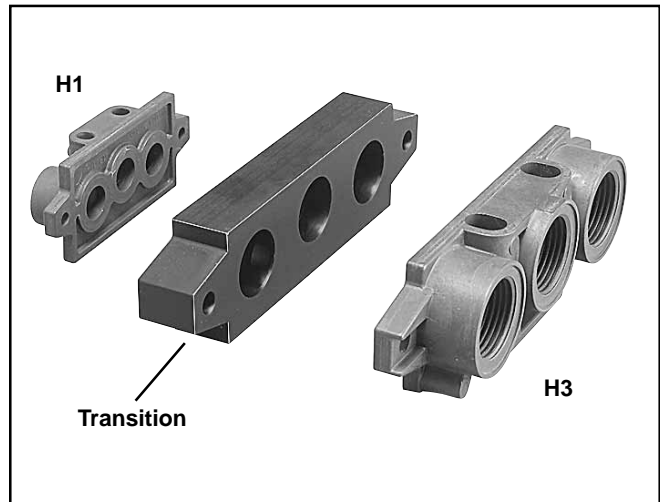


## VDMA Transition Plate

Size	Kit Number
H1 / H3 H1 to H3	P2N-VM500AK

**Kit includes:** Transition Plate Only.

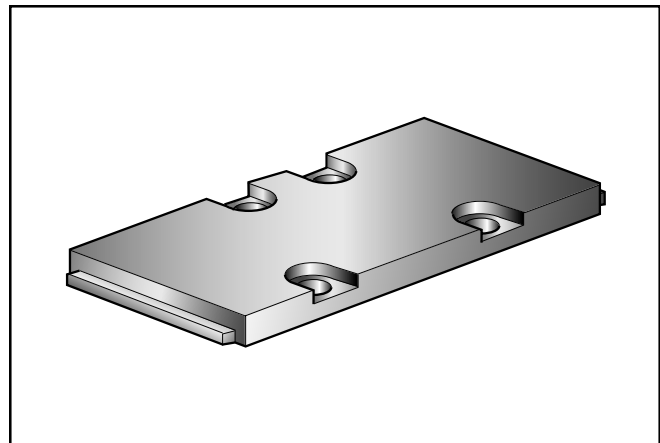
- Order P2N-VM513ES and P2N-YM518ES separately to assemble add-a-fold.



## VDMA Blanking Plate

Size	Kit Number
H1	P2N-AA5B
H2	P2N-BA5B
H3	P2N-CA5B

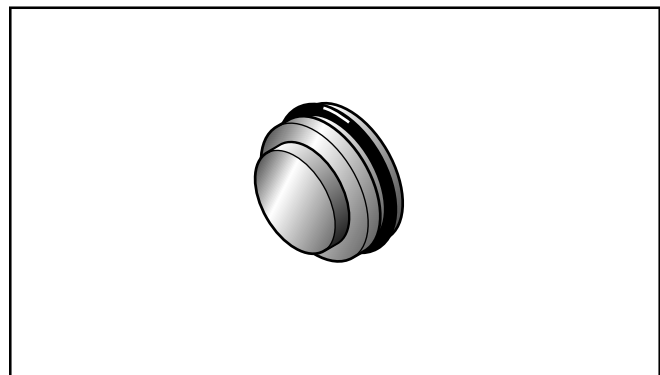
**Kit includes:** (1) Blanking Plate, (1) Gasket, and (4) Mounting Bolts.



## VDMA Isolation Plugs - Main Galley

Size	Kit Number
H1	P2N-VK0P
H2	P2N-WK0P
H3	P2N-YK0P

**Kit includes:** (1) Isolator Plug.



**NOTE:** Shaded options have been discontinued. Refer to back of Catalog for Cross Reference Information.



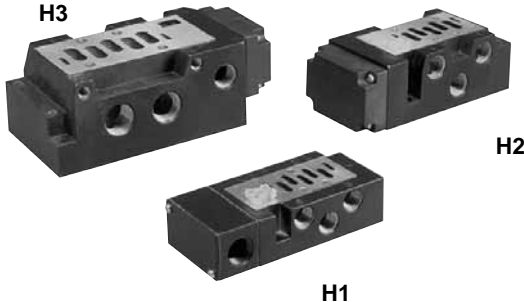
# Manifold and Subbase Kit Ordering Code

<b>H1</b> Basic Series	<b>Mounting Base Style</b> Port Size	<b>Enclosures /</b> <b>Lead Length</b>	<b>Wiring</b> <b>Options</b>	<b>Factory</b> <b>Designator</b>																										
<b>PS4011</b>	<b>55</b>	<b>C</b>	<b>—</b>	<b>P</b>																										
<b>H2</b>		<table border="1"> <tr> <th colspan="2">Enclosures / Lead Length</th> </tr> <tr> <td><b>0</b> None, No Electrical Plug</td> <td><b>A</b> 6" Leads</td> </tr> <tr> <td><b>7<sup>†</sup></b> 3-Pin Mini Connector in Base</td> <td><b>B</b> 72" Leads</td> </tr> <tr> <td><b>8<sup>**†</sup></b> 4-Pin M12 Micro Connector in Base</td> <td><b>C</b> <b>Terminal Block</b></td> </tr> <tr> <td><b>9<sup>†</sup></b> 5-Pin Mini Connector in Base</td> <td><b>J<sup>‡</sup></b> Circuit Board, Single Address</td> </tr> <tr> <td></td> <td><b>M<sup>‡</sup></b> Circuit Board, Double Address</td> </tr> <tr> <td></td> <td><b>T<sup>**</sup></b> SAM Gen 3.0 Wiring</td> </tr> <tr> <td></td> <td><b>W</b> 144" Leads</td> </tr> </table>		Enclosures / Lead Length		<b>0</b> None, No Electrical Plug	<b>A</b> 6" Leads	<b>7<sup>†</sup></b> 3-Pin Mini Connector in Base	<b>B</b> 72" Leads	<b>8<sup>**†</sup></b> 4-Pin M12 Micro Connector in Base	<b>C</b> <b>Terminal Block</b>	<b>9<sup>†</sup></b> 5-Pin Mini Connector in Base	<b>J<sup>‡</sup></b> Circuit Board, Single Address		<b>M<sup>‡</sup></b> Circuit Board, Double Address		<b>T<sup>**</sup></b> SAM Gen 3.0 Wiring		<b>W</b> 144" Leads	<table border="1"> <tr> <th colspan="2">Wiring Options</th> </tr> <tr> <td><b>Blank</b></td> <td><b>None</b></td> </tr> <tr> <td><b>C*</b> Chrysler</td> <td></td> </tr> <tr> <td><b>F*</b> SAE / Ford</td> <td></td> </tr> <tr> <td><b>G*</b> General Motors</td> <td></td> </tr> </table>	Wiring Options		<b>Blank</b>	<b>None</b>	<b>C*</b> Chrysler		<b>F*</b> SAE / Ford		<b>G*</b> General Motors	
Enclosures / Lead Length																														
<b>0</b> None, No Electrical Plug	<b>A</b> 6" Leads																													
<b>7<sup>†</sup></b> 3-Pin Mini Connector in Base	<b>B</b> 72" Leads																													
<b>8<sup>**†</sup></b> 4-Pin M12 Micro Connector in Base	<b>C</b> <b>Terminal Block</b>																													
<b>9<sup>†</sup></b> 5-Pin Mini Connector in Base	<b>J<sup>‡</sup></b> Circuit Board, Single Address																													
	<b>M<sup>‡</sup></b> Circuit Board, Double Address																													
	<b>T<sup>**</sup></b> SAM Gen 3.0 Wiring																													
	<b>W</b> 144" Leads																													
Wiring Options																														
<b>Blank</b>	<b>None</b>																													
<b>C*</b> Chrysler																														
<b>F*</b> SAE / Ford																														
<b>G*</b> General Motors																														
<b>H3</b>		<p>* Operator / Function "1" or "E" Only.                  ** Voltage Code "B9" Only.                  † Must specify Auto Wiring Option "C", "F", or "G".                  ‡ Not Available With Subbase Kits.</p>																												

Mounting Base Style / Port Size		
H1	H2	H3
13 Subbase: 1/4 NPT Side Ports	15 Subbase: 3/8 NPT Side Ports	17 Subbase: 1/2 NPT Side Ports
<b>15 Subbase: 3/8 NPT Side Ports</b>	<b>17 Subbase: 1/2 NPT Side Ports</b>	<b>19 Subbase: 3/4 NPT Side Ports</b>
16 <sup>†</sup> Subbase: 3/8 BSPP Side Ports	18 <sup>†</sup> Subbase: 1/2 BSPP Side Ports	10 <sup>†</sup> Subbase: 3/4 BSPP Side Port
23 Subbase: 1/4 NPT Bottom / Side Ports	25 Subbase: 3/8 NPT Bottom / Side Port	27 Subbase: 1/2 NPT Bottom / Side Port
25 Subbase: 3/8 NPT Bottom / Side Port	27 Subbase: 1/2 NPT Bottom / Side Port	29 Subbase: 3/4 NPT Bottom / Side Port
63 Manifold: 1/4 NPT Bottom / End Port	55 Manifold: 3/8 NPT End Port	57 Manifold: 1/2 NPT End Port
<b>65 Manifold: 3/8 NPT Bottom / End Port</b>	<b>57 Manifold: 1/2 NPT End Port</b>	<b>59 Manifold: 3/4 NPT End Port</b>
66 <sup>†</sup> Manifold: 3/8 BSPP Bottom / End Port	65 Manifold: 3/8 NPT Bottom / End Port	67 Manifold: 1/2 NPT Bottom / End Port
85 Manifold: 3/8 NPT Bottom / End Port - Auxiliary Inlet & Outlet	67 Manifold: 1/2 NPT Bottom / End Port	69 Manifold: 3/4 NPT Bottom / End Port
86 <sup>†</sup> Manifold: 3/8 BSPP Bottom / End Port - Auxiliary Inlet & Outlet	68 <sup>†</sup> Manifold: 1/2 BSPP Bottom / End Port	60 <sup>†</sup> Manifold: 3/4 BSPP Bottom / End Port

† BSPP ISO 1179 Specifications

## Subbase Kits



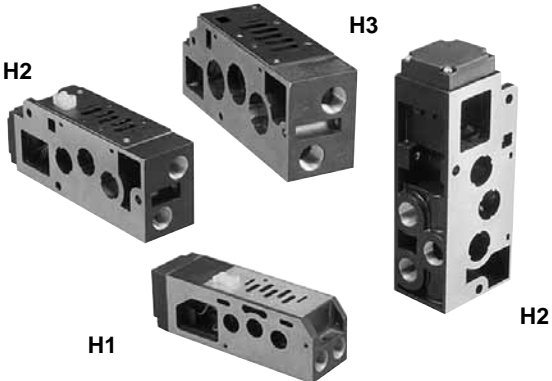
<b>Mounting / Base Style</b>	<b>H1</b>	<b>H2</b>	<b>H3</b>
------------------------------	-----------	-----------	-----------

- #1, #2, #3, #4, and #5 Side Ports Tapped; #12 & #14 Side Pilot Ports Tapped 1/8"
- #1, #2, #3, #4, and #5 Side / Bottom Ports Tapped; (5) Pipe Plugs Included; #12 & #14 Side Pilot Ports Tapped 1/8"

**Automotive Connectors**  
 Mounted in 1/2" Conduit Port

- 3-Pin - Wired for Single Solenoid
- 4-Pin / 5-Pin - Wired for Double Solenoid

## Manifold Kits



<b>Mounting / Base Style</b>	<b>H1</b>
------------------------------	-----------

- #2 & #4 End / Bottom Ports Tapped; (2) Pipe Plugs Included.
- #2 & #4 End & Bottom Ports tapped with drilled hole in #1 Galley (flat side) and hole in #2 Galley (gasket track side).

<b>Mounting / Base Style</b>	<b>H2</b>	<b>H3</b>
------------------------------	-----------	-----------

- #2 & #4 End Ports Tapped
- #2 & 4 End Ports, #1, #2 & #4 Bottom Ports Tapped; (3) Pipe Plugs Included

**Automotive Connectors**  
 Mounted in Individual Manifold Conduit Cover

- 3-Pin - Wired for Single Solenoid
- 4-Pin / 5-Pin - Wired for Double Solenoid

**NOTE: Shaded options have been discontinued. Refer to back of Catalog for Cross Reference Information.**

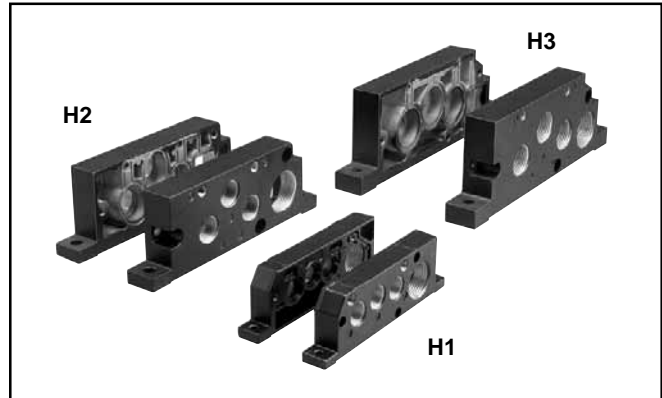


## End Plate

Size	Port Size	Kit Number	
		NPT	BSPP "G"
H1	1/2"	PS353100BP	PS353101BP
H2	3/4"	PS363100P	PS363101P
H3	1"	PS373100P	PS373101P

**Kit includes:** (3) Lock Washers, (3) Socket Head Screws, (3) Flat Washers, (1) Gasket, (1) End Plate without gasket track, and (1) End Plate with gasket track.

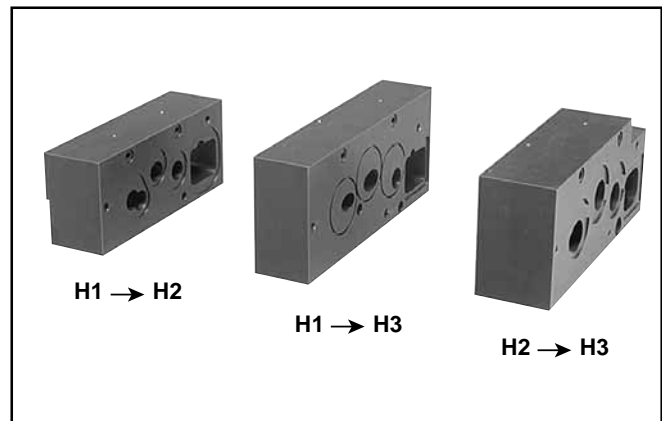
For Collective Wiring End Plate Kit see page 62.



## Transition Plate

Size	Kit Number	
	NPT	BSPP "G"
H1 to H2	PS3627000P	PS3627001P
H1 to H3	PS3726000P	PS3726001P
H2 to H3	PS3727000P	PS3727001P

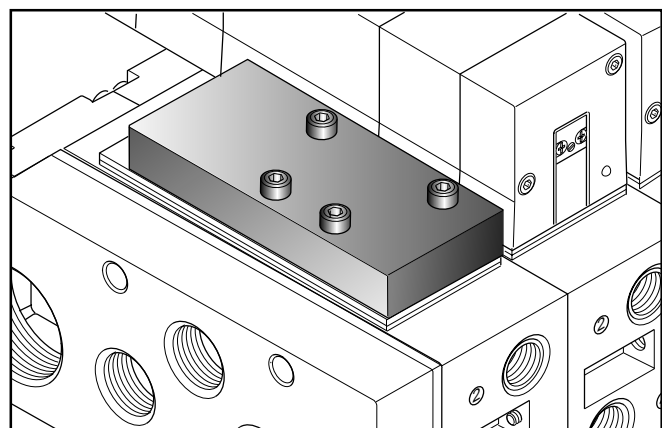
- Allows manifolding of multiple size ISO valves.
- **LOOKING AT THE CYLINDER PORTS**, the smaller valve is on the **LEFT**.
- Transition Plate width:
  - H1 / H2 55mm (2.16")
  - H1 / H3 49mm (1.93")
  - H2 / H3 61,5mm (2.42")
- **Kit includes:** (1) Standard Left Hand End Plate - smaller, (1) Standard Right Hand End Plate - larger, (1) Transition Plate, Bolts, Washers and Gaskets.



## Blanking Plate

Size	Kit Number
H1	PS4034P
H2	PS4134P
H3	PS4234P

**Kit includes:** (1) Blanking Plate, (1) Gasket, and (4) Mounting Bolts.



**NOTE: Shaded options have been discontinued. Refer to back of Catalog for Cross Reference Information.**



## Manifold Port Isolation

### • Main Galley (1, 3, 5)

Size	Kit Number
H1	PS3532P
H2	PS3632P
H3	PS3732P

Kit includes: (3) Plugs with O-rings.

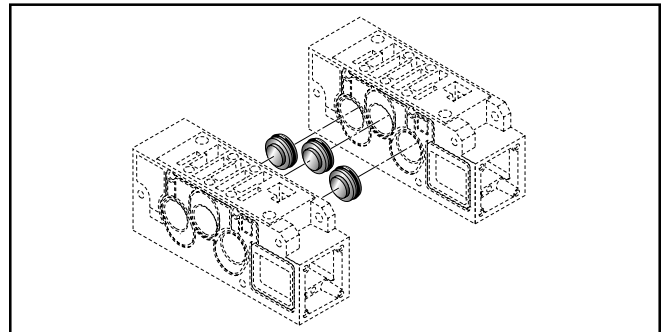
### • Pilot Galley

**H1**

Select appropriate gasket to block external pilot galley for special piloting applications.

PS353300BP

PS353301BP      PS353302BP



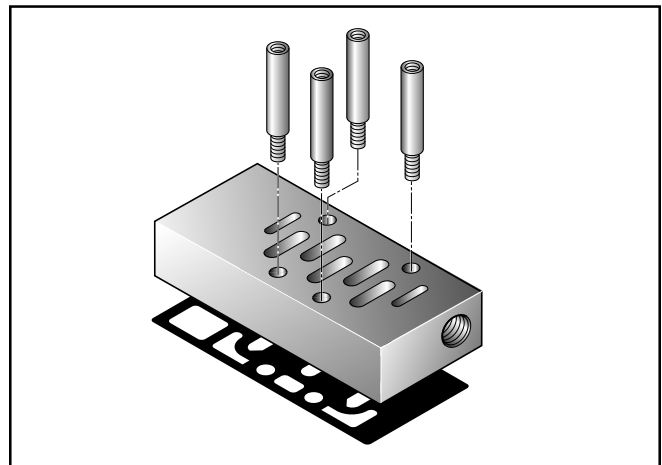
**H2    H3**

PS3633P (2) Plugs with o-rings.

## Remote Pilot Access Plate

Size	Port Size	Kit Number	
		NPT	BSPP "G"
H1	1/8"	PS401500P	PS401501P
H2	1/8"	PS411500P	PS411501P
H3	1/8"	PS421500P	PS421501P

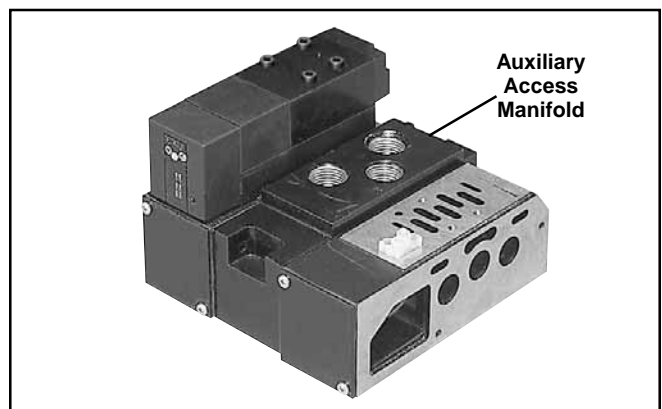
- Provides access to #12 & #14 valve pilot galleys for an H1, H2 & H3 manifold.
- Required for Single or Double Remote Pilot Valve on a manifold. (It is included when you order the valve/manifold combination, not included with valve only.)
- Not required with Single Subbase mounting.
- **Kit includes:** Pilot Port Access Plate, Gasket and 4 Mounting Studs.
- Height- H1: 18mm (.71"); H2: 22mm (.85"); H3: 24mm (.94")



## Auxiliary Access Manifold Kit

Size	Standard Kit Number	
	NPT	BSPP "G"
H1	PS352800BP	PS352801BP
	Collective Wired Kit Number	
	PS352810BP	PS352811BP

- Used in H1 manifold systems to provide auxiliary access to #1, #3, and #5 ports.
- Top: 1/2" – #1, #3, and #5 port.
- Bottom: 1/2" – #1 port.
- End (12): 1/8" – #12 and #14 port.
- **Kit includes:** Access Manifold, Gasket and all required hardware. Collective Kit includes Jumper Harness.
- Width: 49mm (1.93")



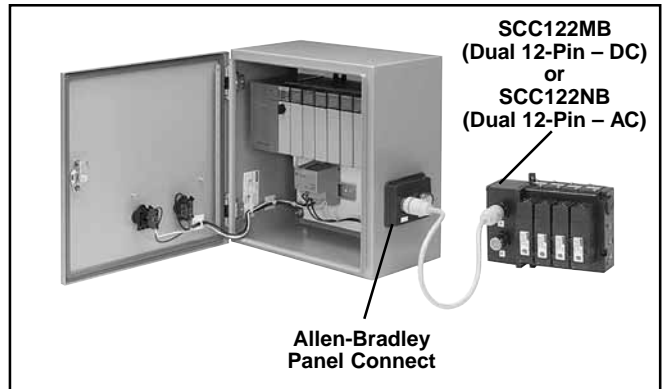
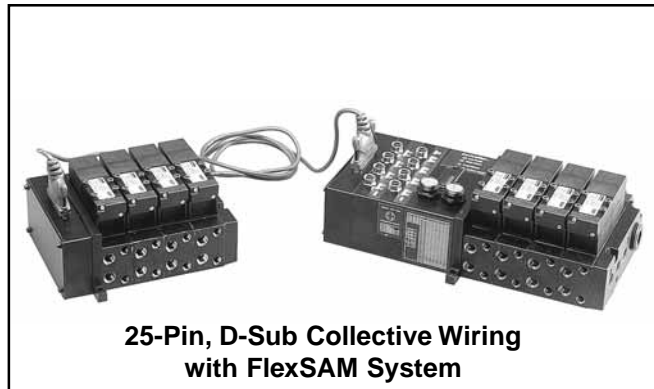
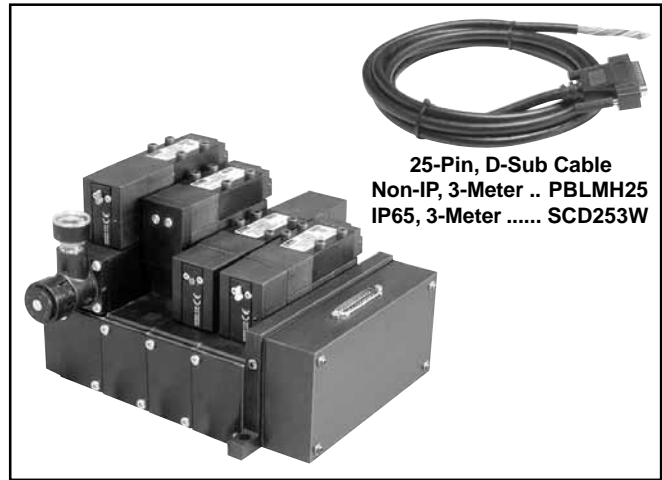
**NOTE: Shaded options have been discontinued. Refer to back of Catalog for Cross Reference Information.**





**Features**

- Interconnect Manifolds
- 25-Pin D-Sub – 24 Addresses
- 19-Pin Round – 16 Addresses
- Dual 12-Pin Round – 16 Addresses
- FlexSAM Serial Bus – 32 Addresses
- SAM 3.0 Serial Bus – 4 Addresses
- Manifold Additions for In-Field Conversions, Plug "N" Play

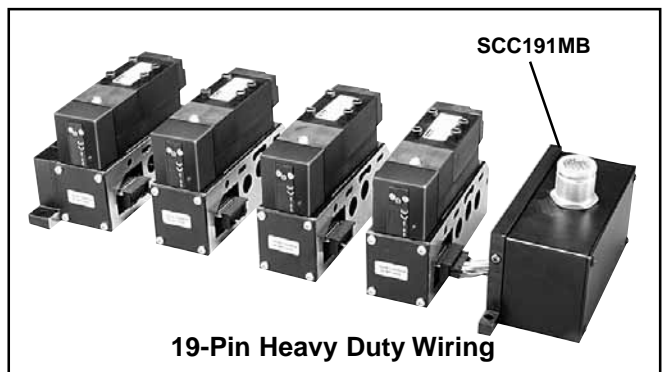
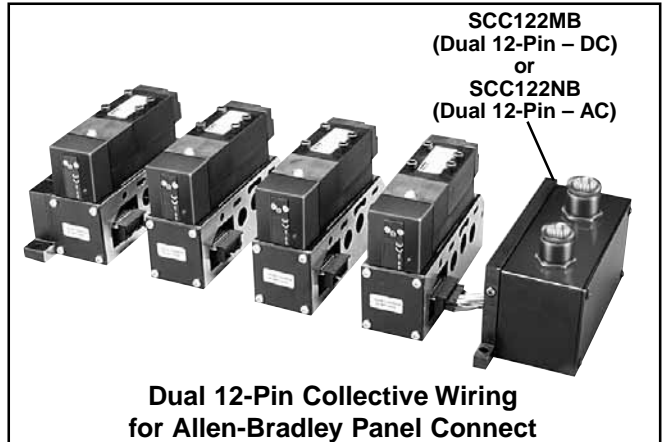


**Collective Wiring Module**

Size	Kit Number
25-Pin, D-Sub Module*†	<b>SCD251MB</b>
19-Pin Heavy Duty Round*†	<b>SCC191MB</b>
Dual 12-Pin Round - DC*†	<b>SCC122MB</b>
Dual 12-Pin Round - AC*†	<b>SCC122NB</b>
D-Sub Cable, Non-IP, 3 Meters†	<b>P8LMH25M3A</b>

\* **Kit includes:** (1) Wiring Module with Circuit Board Connection, (2) Gaskets, (4) Tie Rods and (4) Bolts.

† Available with "H" Series, ISO 5599-2, Sizes 1, 2, 3.





**Collective Wiring End Plate Kit**

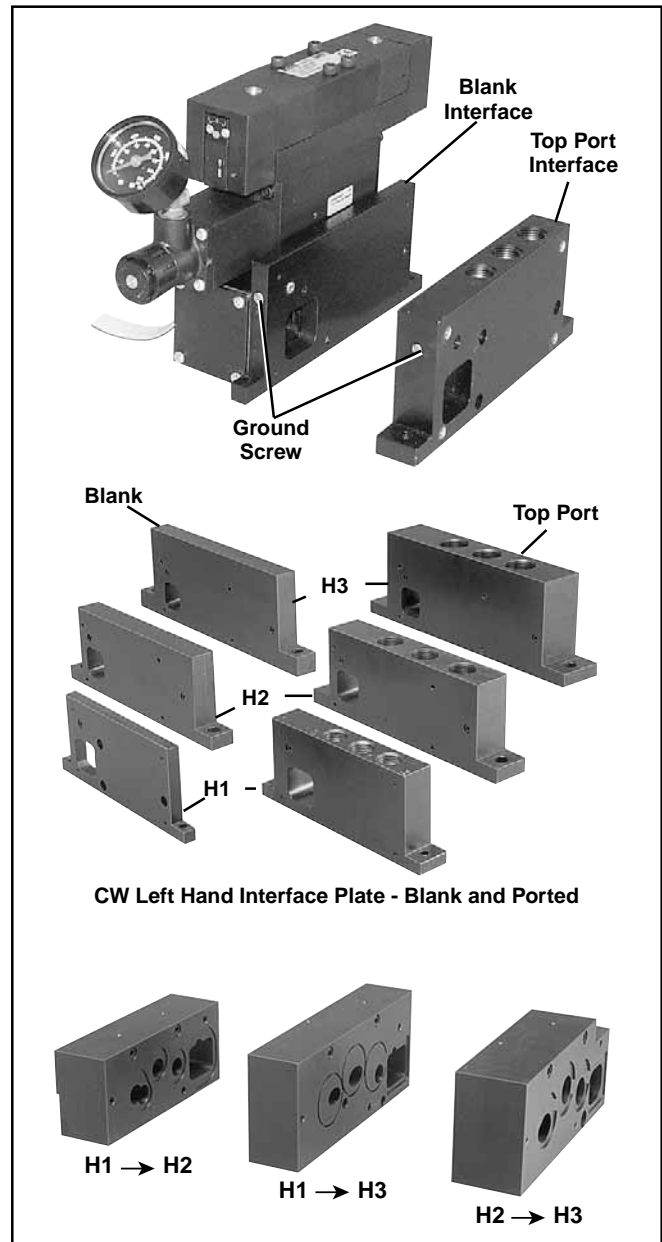
Collective Wiring End Plate		NPT	BSP
<b>H1</b>	Blank	<b>PS3520L00P</b>	PS3520L01P
	1/2" Top Port	PS3520L10P	PS3520L11P
<b>H2</b>	Blank	<b>PS3620L00P</b>	PS3620L01P
	3/4" Top Port	PS3620L10P	PS3620L11P
<b>H3</b>	Blank	<b>PS3720L00P</b>	PS3720L01P
	1" Top Port	PS3720L10P	PS3720L11P

**Kit includes:** (1) CW Left Hand Interface Plate (blank or ported), (1) Standard Right Hand End Plate, Bolts, Washers, Gaskets.

**Collective Wiring Transition Plate Kit**

Collective Wiring Transition Plate		NPT	BSP
<b>H1 to H2</b>	Blank	PS3627L00P	PS3627L01P
	1/2" Top Port	PS3627L10P	PS3627L11P
<b>H1 to H3</b>	Blank	PS3726L00P	PS3726L01P
	3/4" Top Port	PS3726L10P	PS3726L11P
<b>H2 to H3</b>	Blank	PS3727L00P	PS3727L01P
	1" Top Port	PS3727L10P	PS3727L11P

**Kit includes:** (1) CW Left Hand Interface Plate (blank or ported) - smaller, (1) Transition Plate, (1) Standard Right Hand End Plate - larger, Bolts, Washers, Gaskets.



**How to Assemble a Collective Wiring Add-A-Fold**

**Collective Wiring Manifold Configuration:**

- Choose desired number of Valves / Manifolds with Circuit Boards
- Choose CW End Plate or CW Transition Plate Kit
  - Plug-in and assemble Manifolds and End Plates together.
- Collective Wiring Module SCD251MB, SCC191MB or SCM231MB.
  - Plug-in and assemble Collective Wiring Module to Collective Wiring Left Hand End Plate.

Interface plate includes a machined hole for the addition of a ground screw. An earth ground is recommended for all voltages. Follow standard electrical protocol.

**NOTE: Shaded options have been discontinued. Refer to back of Catalog for Cross Reference Information.**



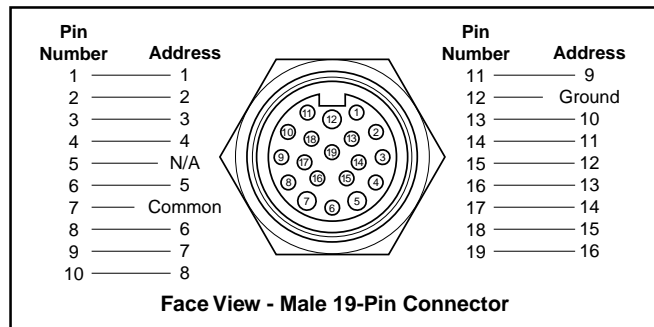
## Technical Specifications

### Maximum Solenoids Energized Simultaneously

	Voltage Code	25-Pin D-Sub	19-Pin Round	Dual 12-Pin Round	FlexSAM	SAM 3.0
12VDC	15	18	16	N/A	N/A	N/A
24VAC	12	24	16	N/A	N/A	N/A
24VDC	19	24	16	16	32*	4
120VAC	23, 83	24	16	16	N/A	N/A

\* The maximum number of addressed solenoids for FlexSAM is 26 through the interconnect system. For 28 through 32 addressed solenoids all bases are "hard-wired" and valves have to be selected with the terminal block option.

## 19-Pin Round Brad Harrison



### 19-Pin Round Cable Specifications

Common Pin "7" is rated for 8 amps. Cable common wire must be greater than total amperage of solenoids on Add-A-Fold assembly.

Example: 8 station manifold, 16 solenoids, 120VAC - 16 x .039 amps = .63 total amp rating.

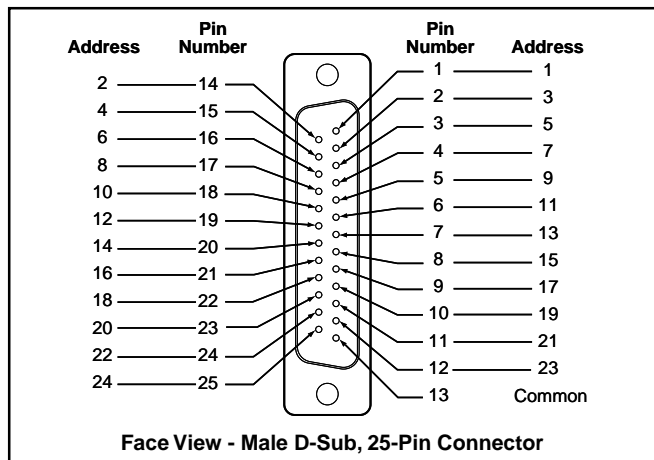
NEMA 4 rated with properly assembled NEMA 4 rated cable.

#### Female Cable Assemblies:

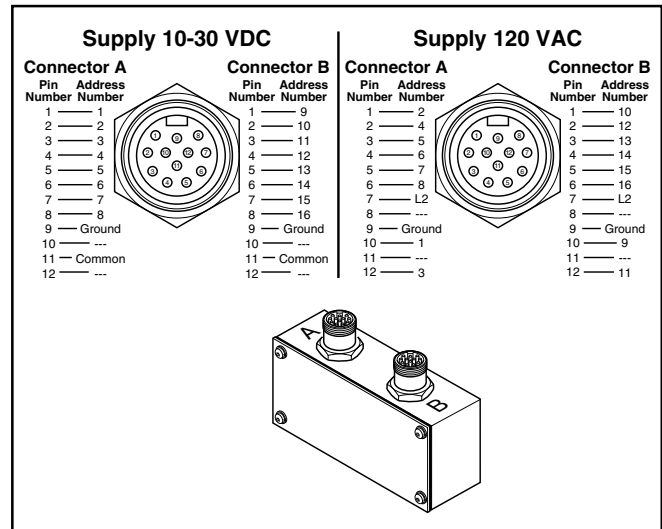
Refer to [www.connector.com](http://www.connector.com)

Brad Harrison #333030P80M050	16.40 ft. (Female to Male Cable)
Brad Harrison #333030P80M0100	32.80 ft. (Female to Male Cable)

## 25-Pin, D-Sub Connector (Male)



## Dual 12-Pin Round Allen-Bradley



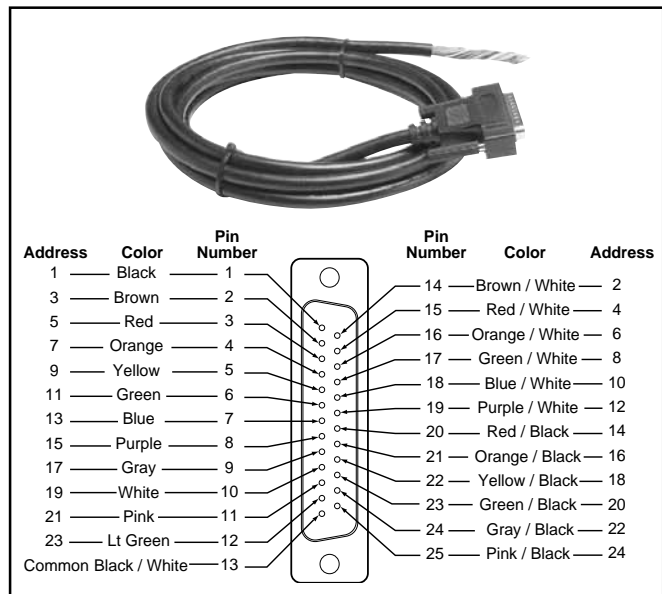
### AB Panel Connect Patch Cord Assemblies:

Patch Cord good for 24VDC & 120VAC

For availability & Specs, contact an Allen-Bradley Distributor

Allen Bradley #889N-F12ACNU-2	2 Meter (Female to Male Cable)
Allen Bradley #889N-F12ACNU-3	3 Meter (Female to Male Cable)
Allen Bradley #889N-F12ACNU-5	5 Meter (Female to Male Cable)
Allen Bradley #889N-F12ACNU-10	10 Meter (Female to Male Cable)

## 25-Pin, D-Sub Cable (Female)

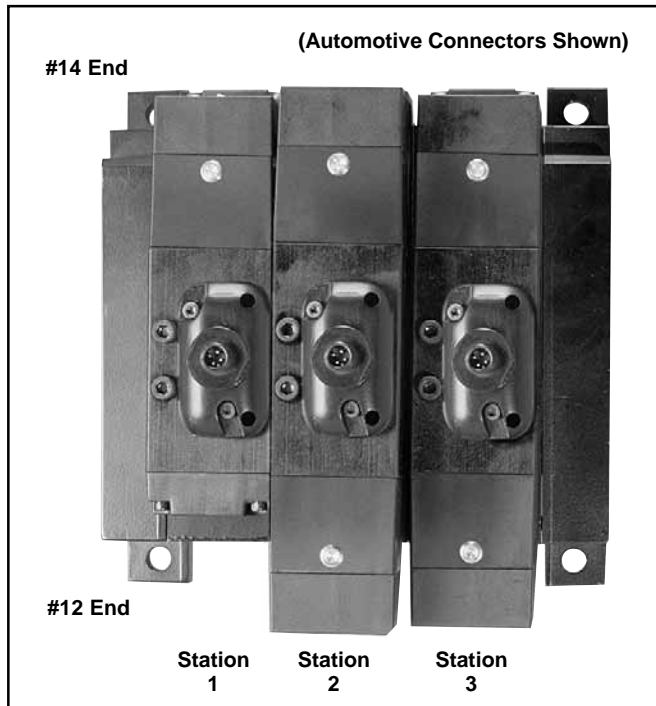


### 25-Pin, D-Sub Cable Specifications

Common Pin "13" is rated for 3 amps. Common wire rating must be greater than total amperage of all solenoids on a Add-A-Fold assembly.

Example: 12 station manifold, 24 solenoids, 24VDC - 24 x .095 amps = 2.28 total amp rating.

IP65 rated with properly assembled IP65 rated cable.



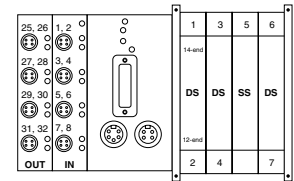
## How To Order Add-A-Fold Assemblies

1. List Add-A-Fold Assembly call out. This automatically includes the end plate kit assembly.
2. List complete valve/base model number. List left to right, **LOOKING AT THE CYLINDER PORTS** on the #12 end of the manifold. The left most station is station 1. (If a blank station is needed, list the blanking plate part number and the individual manifold number in the station specified.)

## I/O Addressing Examples

### Example 1: Single Addressed Valve Manifold with External Input and Output Module

- First output address the #14 end of the valve closest to the communicating module.
  - External output addresses begin from the highest address as shown.
  - Unused outputs will be leftover for future valve manifold section additions.
- First external input addresses being with the input module closest to the communications module as shown.

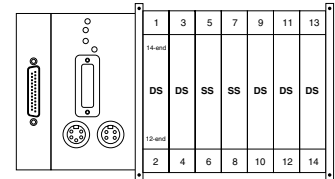


- Notes:**
- Outputs always grouped in sets of four (4)
  - SS = Single Solenoid valve
  - DS = Double Solenoid valve

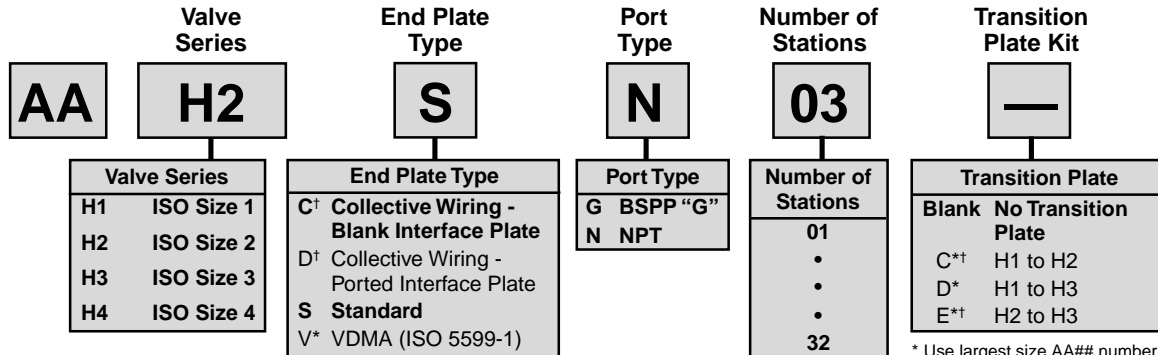
### Example 2: Double Addressed Valve Manifold with Single D-Sub, 25-Pin Modules

- First output address the #14 end of the valve closest to the communicating module.

- Notes:**
- Outputs always grouped in sets of four (4)
  - SS = Single Solenoid valve
  - DS = Double Solenoid valve



## Model Number



\* H1, H2, H3 & Port Type "G" Only.  
 † H1, H2 & H3 Only

\* Use largest size AA## number.  
 † Not available with End Plate Type "V".

**Example:** Application requires a 3-Station manifold and requires isolation between station 2 & 3 for all three main galleys.

Item	Qty.	Part No.
001	1	AAH2SN03
002	1	H2E67BG2B9000CB ..... Station 1
003	1	H2667BG2B9001CB ..... Station 2
004	1	PS3632P ..... Galley 1,3,5 isolation between station 2 & 3
005	1	H2667BG2B9000CB ..... Station 3

*When ordering a Collective Wiring Add-A-Fold, list the appropriate wiring module after the AA number.*

Example: AAH1CN04  
 SCC191MB  
 H1E65BGMB9B

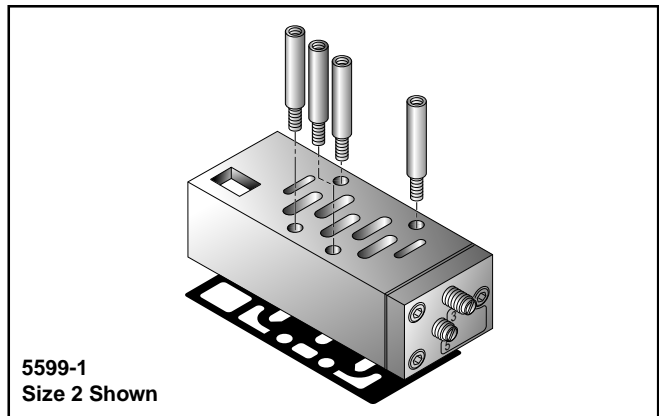
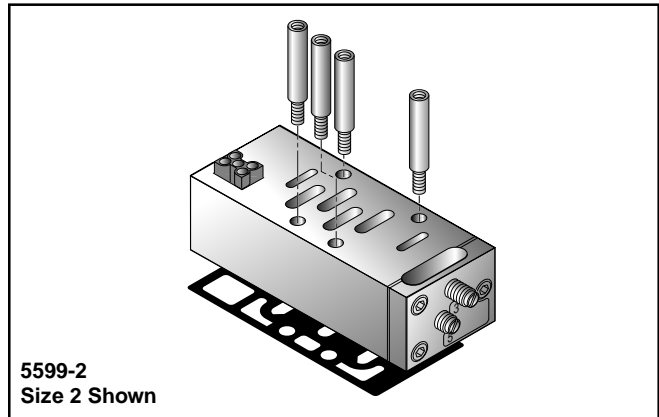
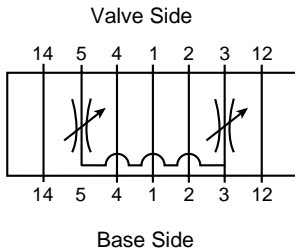
**NOTE: Shaded options have been discontinued. Refer to back of Catalog for Cross Reference Information.**



## Sandwich Flow Controls

### Features

- Available with 4-Way, 2 or 3-Position valves on a subbase or manifold.
- Both adjustment screws are located on the 12 end of the unit.
- Needle adjustment made with M3 (1/8") hex wrench.
- Sandwich Flow Control mounts with its own studs, which means the valve uses standard bolts for mounting.
- Sandwich Flow Control is not to be used as a shut off device and is not bubble tight when needles are fully turned down.



Size	<b>5599-2</b>	<b>5599-1</b>	C <sub>v</sub> *	Height	Weight (lbs.)
<b>H1</b>	PS4035P	PS4042P	1.10	34mm (1.33")	.37kg (.8 lbs)
<b>H2</b>	PS4135P	PS4142P	1.90	34mm (1.33")	.51kg (1.13 lbs)
<b>H3</b>	PS4235P	PS4242P	3.80	49mm (1.93")	1.14kg (2.50 lbs)

\* C<sub>v</sub> calculated as average of all flow paths with adjusting screw full open.

*A Sandwich Flow Control and Common Port Sandwich Regulator may be sandwiched together on a manifold or subbase. The Sandwich Flow Control MUST be located between the manifold/subbase and the Common Port Sandwich Regulator.*

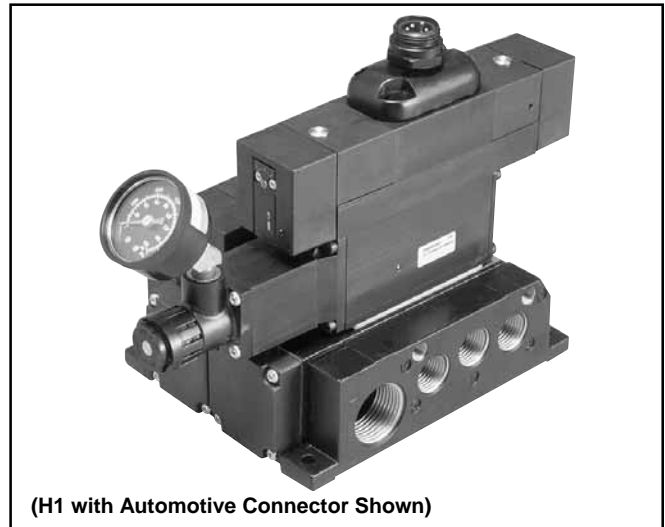
*A 5599-2 Single Remote Pilot or Double Remote Pilot valve does not require an electrical bridge plug for the Sandwich Flow Control. A 5599-1 Sandwich Flow Control can be used.*

**NOTE: Shaded options have been discontinued. Refer to back of Catalog for Cross Reference Information.**

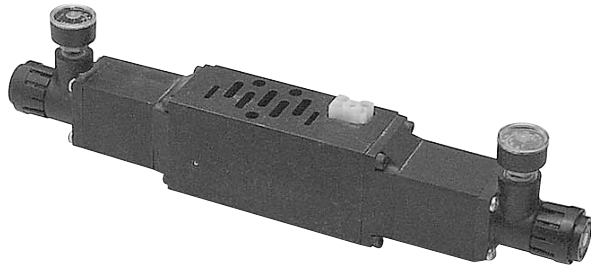


## Features

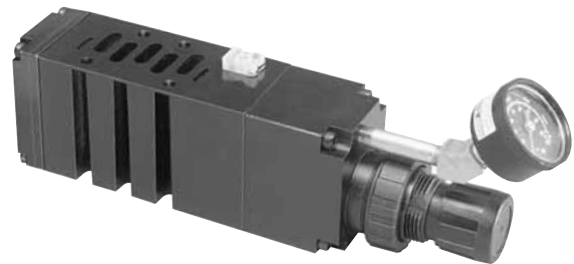
- Modular Sandwich used with any H1, H2, H3 Valve.
- Manual Knob Adjustment that locks to prevent adjustment change during operation.
- Remote Air Pilot Operated for hard-to-reach pressure control.
- Unregulated Pilot Pressure to valve for consistent valve shifting regardless of pressure adjustment.



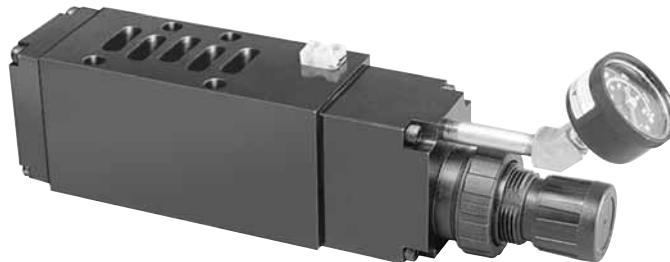
(H1 with Automotive Connector Shown)



**H1**  
(Dual Port Regulator Shown)



**H2**  
(Common Port Regulator Shown)



**H3**  
(Single Port Regulator Shown)



## Sandwich Regulator Kit Ordering Code

<b>PS4037</b>	<b>Sandwich Block Function</b> <b>1</b>	<b>#4 Port Regulator / Gauge</b> <b>6</b>	<b>#2 Port Regulator / Gauge</b> <b>6</b>	<b>Factory Designator</b> <b>P</b>
<b>Series</b>	<b>Sandwich Block Function</b>	<b>#4 Port Regulator / Gauge*</b>	<b>#2 Port Regulator / Gauge*</b>	
H1 5599-1 PS4037 5599-2 PS4038	<b>1 Common Pressure Regulator</b>	<b>0 Line By-Pass Plate**</b> 1 1-30 PSIG w/o Gauge 2 2-60 PSIG w/o Gauge 3 5-125 PSIG w/o Gauge 4 1-30 PSIG w/Gauge 5 2-60 PSIG w/Gauge <b>6 5-125 PSIG w/Gauge</b> 7 1-30 PSIG w/Liquid Gauge 8 2-60 PSIG w/Liquid Gauge 9 5-125 PSIG w/Liquid Gauge A Air Pilot w/o Gauge C Air Pilot w/60 PSIG Gauge D Air Pilot w/160 PSIG Gauge G Air Pilot w/160 PSIG Liquid Gauge	<b>0 Line By-Pass Plate**</b> 1 1-30 PSIG w/o Gauge 2 2-60 PSIG w/o Gauge 3 5-125 PSIG w/o Gauge 4 1-30 PSIG w/Gauge 5 2-60 PSIG w/Gauge <b>6 5-125 PSIG w/Gauge</b> 7 1-30 PSIG w/Liquid Gauge 8 2-60 PSIG w/Liquid Gauge 9 5-125 PSIG w/Liquid Gauge A Air Pilot w/o Gauge C Air Pilot w/60 PSIG Gauge D Air Pilot w/160 PSIG Gauge G Air Pilot w/160 PSIG Liquid Gauge	
H2 5599-1 PS4137 5599-2 PS4138	<b>2 Independent Pressure Regulator</b>			
H3 5599-1 PS4237 5599-2 PS4238	<b>3 Selector Regulator</b>			

\* For Common Pressure Regulator Option, Regulator Gauge callout must be the same number for both Port #4 and Port #2. (Example: 166)

\*\*Pressure Line By-Pass Option can only be used with Independent and Selector Regulators (Option 2 & 3 in Sandwich Block Function).

## Cv Flow Chart\*

	Common Pressure 166				Single Pressure 2 - 206				Single Pressure 4 - 260				Dual Pressure 266			
	1-2	1-4	2-3	4-5	1-2	1-4	2-3	4-5*	1-2	1-4	2-3	4-5*	1-2	1-4	2-3	4-5*
<b>H1</b>	.63	.61	1.26	1.11	.61	1.10	.87	.86	1.19	.59	.87	.86	.61	.59	.87	.86
<b>H2</b>	2.04	1.97	2.92	2.81	2.33	2.64	2.37	2.37	2.64	2.37	2.37	2.37	2.33	2.37	2.37	2.37
<b>H3</b>	3.01	3.10	5.12	4.99	2.74	3.30	3.85	3.98	3.23	2.77	3.85	3.98	2.74	2.77	3.85	3.98

\* Regulator Port exhaust through Base Port 3.

Note: All Cv's calculated with regulator adjusted full open.

## How to configure Sandwich Regulator / Valve Combinations

(Note Valve / Regulator / Base Diagrams on following pages for pictorial of details described below)

### Ordering Components Separately

- Manifold or Subbase Kit required.
- Sandwich Regulator Kit configured for Internal Pilot as standard. (For details of pilot locations, see cutaways on page 64, 65 and 66.)
- Order valve as External Pilot - 12 (Pilot Source 'P') or Internal Pilot (Pilot Source 'B') with field converted to external pilot with removable plugs.

#### Example:

1 PS401165CP	Manifold Base
1 PS4038166P	Common Port Regulator
1 H1EVXPG0B9B	H1 Single Solenoid External Pilot Valve

### Ordering Complete Valve / Regulator / Base

- Single part number includes Valve, Regulator & Base.
- Must specify if the Complete Unit is Internal Pilot or External Pilot (99% of applications are Internal Pilot).

#### Internal Pilot Configuration -

Pressure in Base Port 1 feeds regulator configured for Internal Pilot which feeds valve configured for External Pilot - 12.

**Example:** H1E65BGCB9166B (Same example as the Ordering Components Separately example).

#### External Pilot Configuration -

An External Pilot pressure in Port 12 or 14 of the base feeds thru the Sandwich Regulator 12 or 14 galley directly to the 12/14 pilot of the valve. Choose Pilot Source 'P' for 12 port pilot and 'L' for 14 port pilot.

**Example:** H1E65PGCB9166B

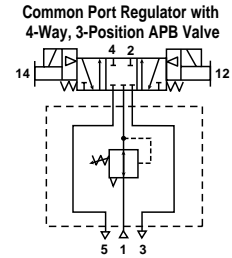
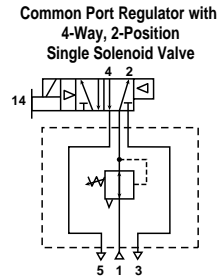
This configuration takes an External Pilot from the 12 port of the base and passes it thru the regulator to feed the 12 galley of the valve.

**NOTE: Shaded options have been discontinued. Refer to back of Catalog for Cross Reference Information.**



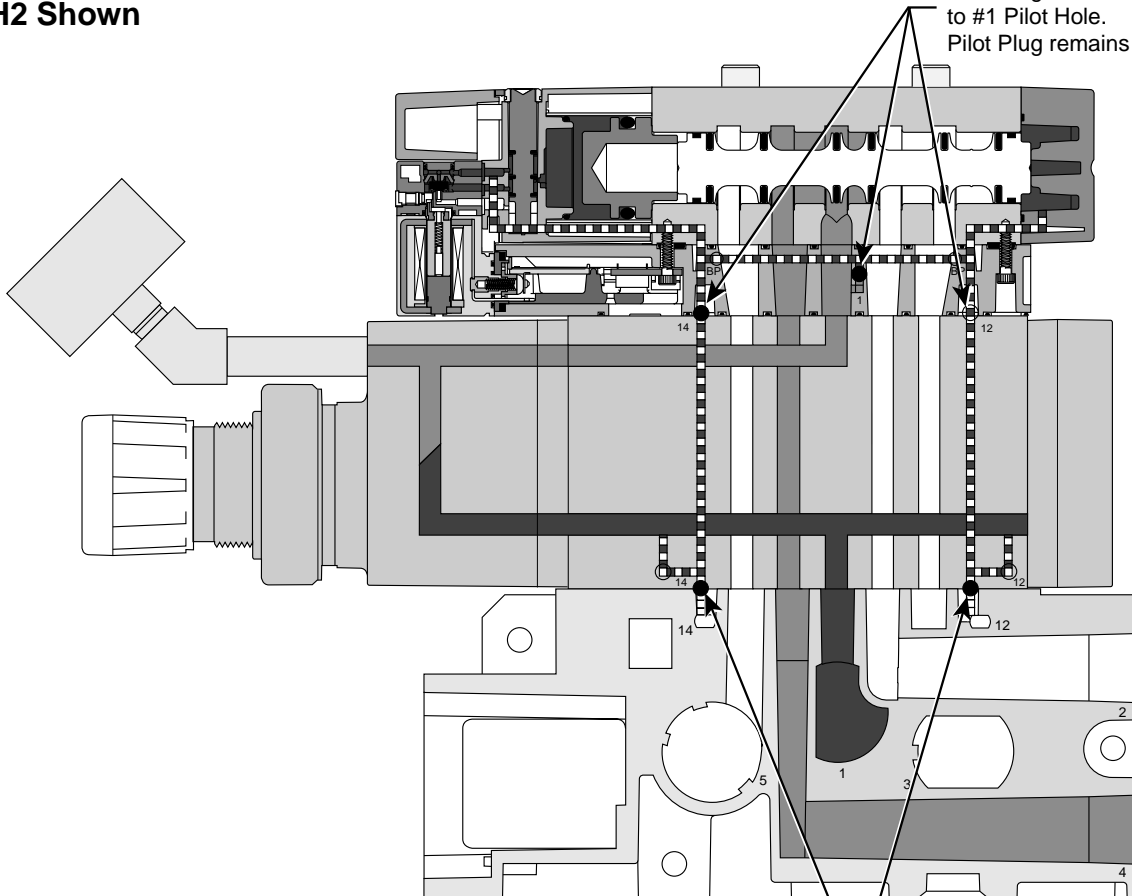
## Common Port Regulation

Provides adjustable regulated air pressure to the valve’s #1 port which gives the same pressure to both the #2 and #4 port of the manifold or subbase. The regulator is always on the 14 end of the valve.



## Common Port Regulator - Internal Pilot H2 Shown

Valve configured for External Pilot.  
 Pilot Plug moved from #12 Pilot Hole  
 to #1 Pilot Hole.  
 Pilot Plug remains in #14 Pilot Hole.



Sandwich Regulator has standard configuration of Internal Pilot with the Pilot Plug in the bottom of the #12 & #14 Pilot Holes which prevents line pressure from escaping through the manifold.

**Example:** Ordering components separately.

- |   |             |                                    |
|---|-------------|------------------------------------|
| 1 | PS411157CP  | Manifold                           |
| 1 | PS4138166P  | Common Port Regulator              |
| 1 | H22VXPG0B9B | H2 Dbl Solenoid – Ext Pilot 12 End |

**Example:** Ordering complete internal pilot system.

- |   |                |                         |
|---|----------------|-------------------------|
| 1 | H2257BGCB9166B | H2 Complete Valve Slice |
|---|----------------|-------------------------|





## Independent Port Regulation

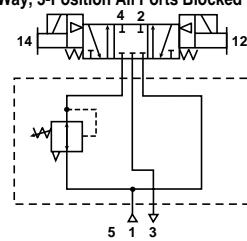
### Single Port Regulation

Provides regulated pressure to one of the ports and full line pressure to the other by use of the Line Pressure By-Pass Plate. Pressure regulation can occur out of the #2 or #4 port of the valve.

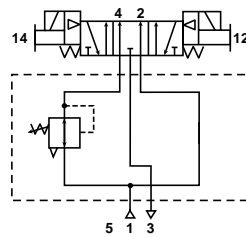
### Dual Port Regulation

Provides independent regulated pressure to the #2 and #4 ports of the manifold or subbase.

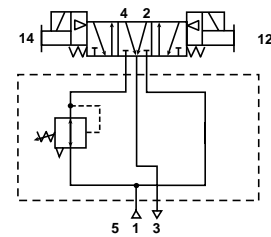
Independent Port Regulator with 4-Way, 3-Position All Ports Blocked Valve



Independent Port Regulator with 4-Way, 3-Position, Inlet to Cylinder Function



Independent Port Regulator with 4-Way, 3-Position, Cylinder to Exhaust Function



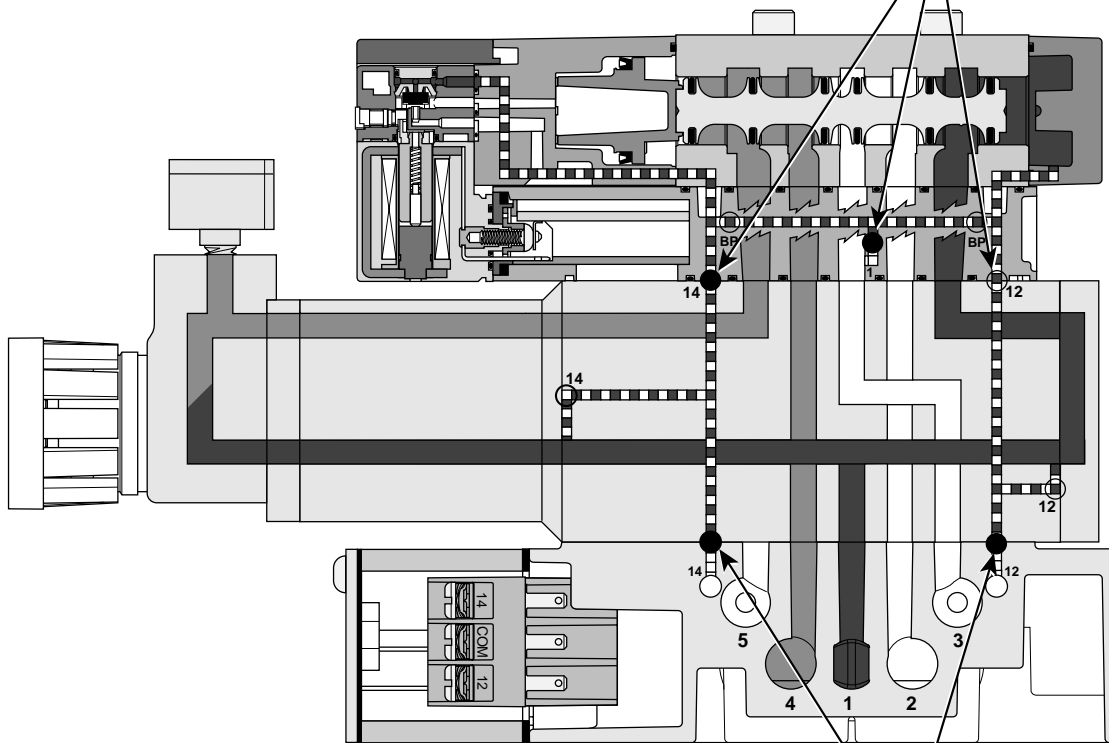
*When using an Independent Pressure Sandwich Regulator, the cylinder outlet ports are reversed. The 12 end energizes the #4 port and the 14 end energizes the #2 port. The 3-Position CE and PC functions are also reversed. (See schematics on right.)*

⚠ CAUTION: Requires 4-Way, 3-Position, Cylinder to Exhaust Valve

⚠ CAUTION: Requires 4-Way, 3-Position, Inlet to Cylinder Valve

### Single Port Regulator - Internal Pilot H1 Shown

Valve configured for External Pilot. Pilot Plug moved from #12 Pilot Hole to #1 Pilot Hole. Pilot Plug remains in #14 Pilot Hole.



Sandwich Regulator has standard configuration of Internal Pilot with the Pilot Plug in the bottom #12 and #14 Pilot Hole which prevents line pressure from escaping through the manifold.

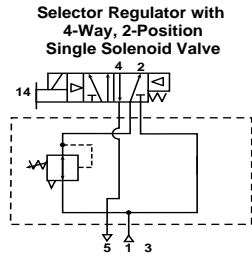


## Selector Regulator

Supplies two different pressures to the valve's #1 and #3 flow paths. Shifting the valve "selects" one or the other of these two pressures to flow out port #2. A Selector Regulator can: 1) Provide regulated pressure to one flow path and full line pressure to the other by use of the Line Pressure By-Pass Plate or 2) Provide regulated pressure to each of the flow paths. (Note: Port #4 is pressurized with air from #1 flow path when 14 end is energized. In many applications, port #4 in the manifold or subbase needs to be plugged.)

### Application

- Use one valve station with Selector Regulator and Auxiliary Inlet / Outlet Manifold to feed pressure to #1 galley of next valve station with Auxiliary Inlet/ Outlet Manifold and 2-Position valve. (Control speed and torque of air motors, tip pressures of welding guns.)
- Multiple pressure control of vacuum / blow-off system using Selector Regulator on manifold or subbase.



**H1**

*H1 with Selector Regulator utilizes Auxiliary In / Out Manifolds. Schematic shown on next page.*

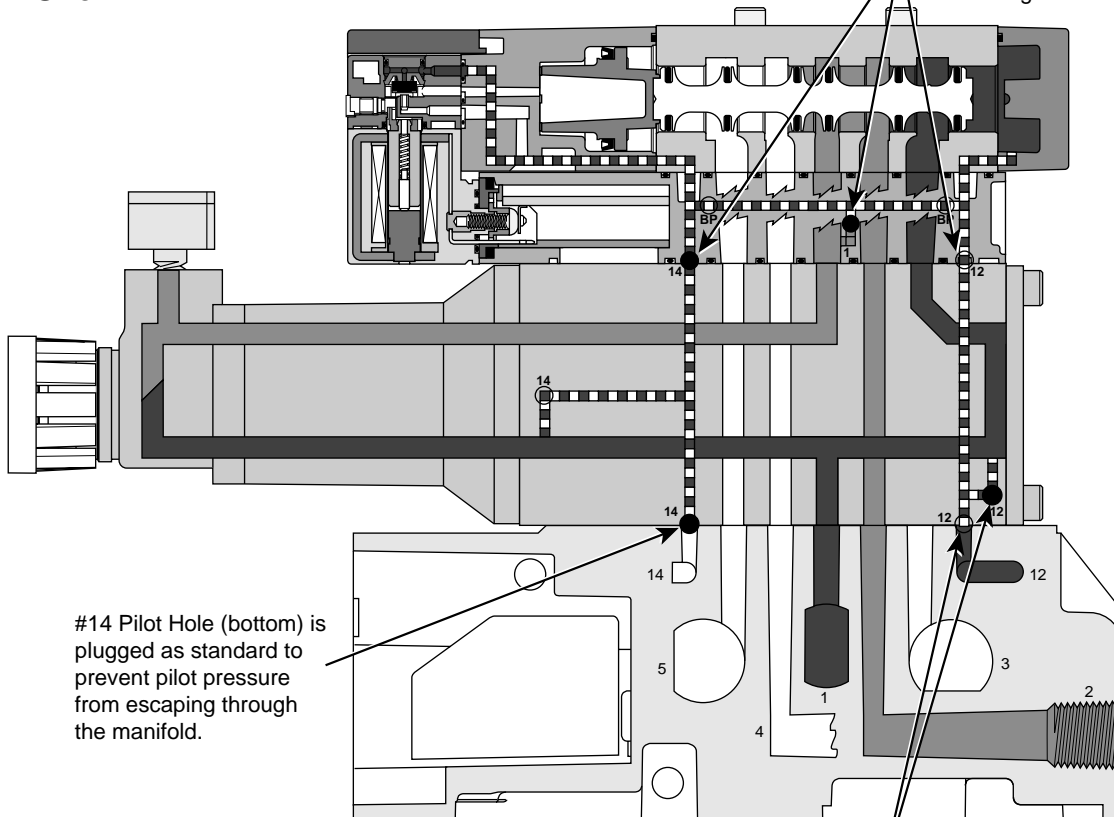
**H2**

**H3**

*H2 & H3 with Selector Regulator utilizes Bottom / End Port Manifolds and requires external plumbing to accomplish the same function as the H1.*

### Selector Regulator - External Pilot H1 Shown

Valve configured for External Pilot.  
 Pilot Plug moved from #12 Pilot Hole  
 to #1 Pilot Hole.  
 Pilot Plug remains in #14 Pilot Hole.



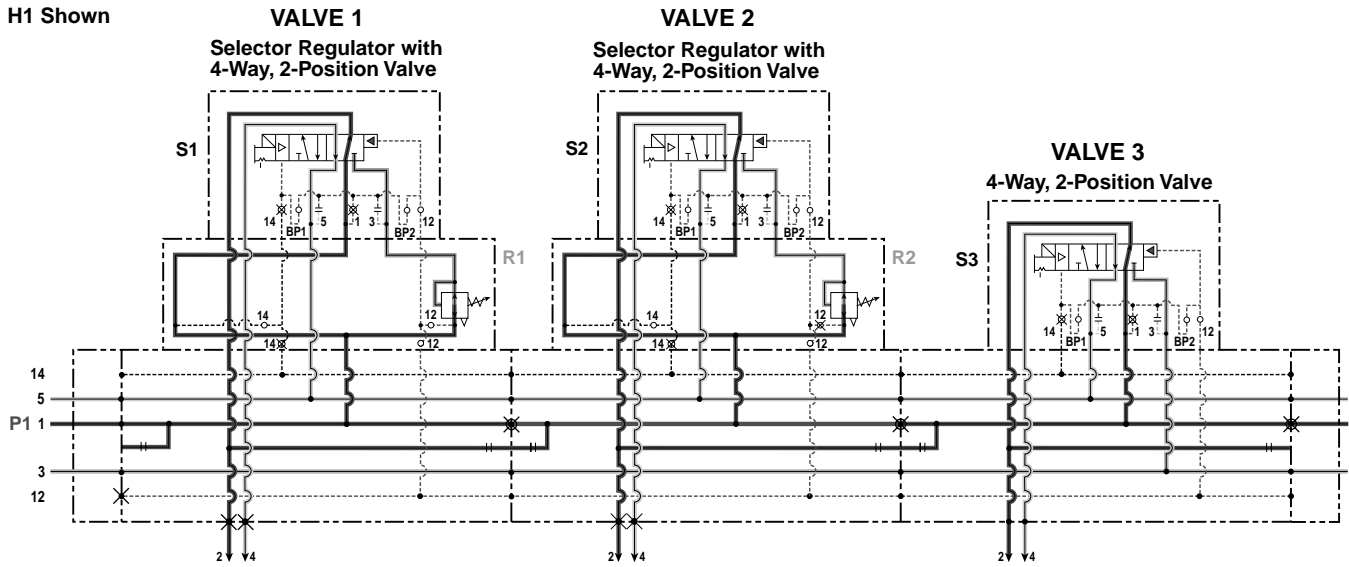
#14 Pilot Hole (bottom) is plugged as standard to prevent pilot pressure from escaping through the manifold.

Sandwich Regulator configured for External Pilot with the Pilot Plug moved from the bottom #12 Pilot Hole to end #12 Pilot Hole. This allows External Pilot pressure to feed through the regulator to the valve without communicating with Main Line Pressure.



**Selector Regulator –**  
**All Solenoids De-Energized**

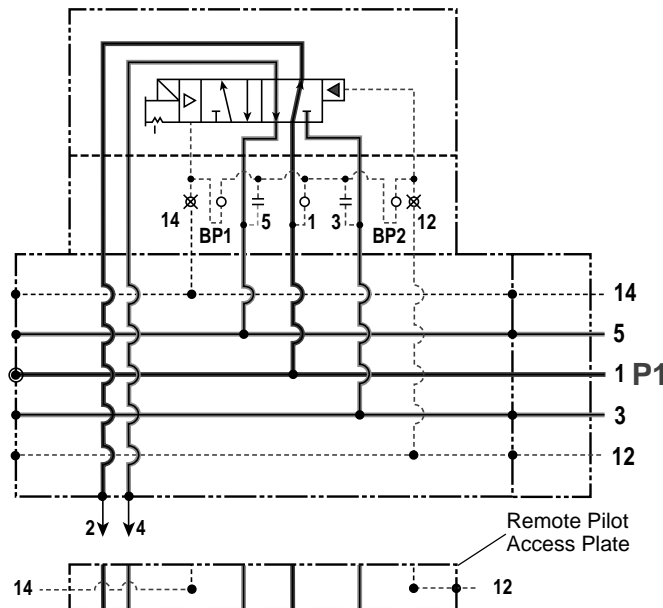
H1 Shown



Solenoid			Valve 3	
S1	S2	S3	Port 4	Port 2
Off	Off	Off	Exh	P1
Off	Off	On	P1	Exh
Off	On	Off	Exh	R2
Off	On	On	R2	Exh
On	Off	Off	Exh	R1
On	Off	On	R1	Exh
On	On	Off	Exh	?
On	On	On	?	Exh

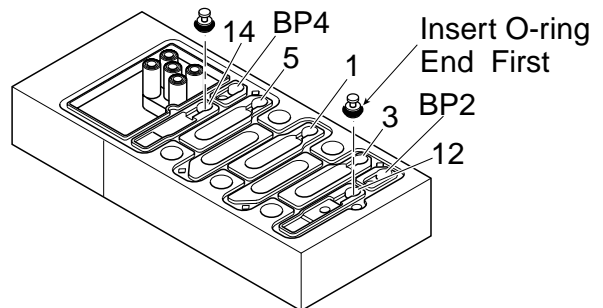
**Valve Piloting Configuration**

H1 H2 H3



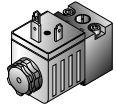
Model Code Digits 3 and 6		Pilot Supply Holes						
Operator/Function	Pilot Source	1	3	5	BP4	BP2	12	14
1, E, 2, 5, 6, 7	B		M	M			X	X
	E	X		X			X	X
	L	X	M	M			X	
	P	X	M	M				X
3 or F	0		M	M	X		X	
	E	X		X	X		X	
	P	X	M	M	X			
4, 8, 9, 0	0	X	M	M	X	X		

Key Code: X = Pilot hole must be plugged.  
 Blank = Pilot hole must be left open.  
 M = Pilot hole molded shut.

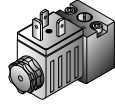




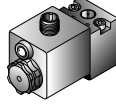
**5599-1 CNOMO**



**30mm 3-Pin ISO 4400 (DIN 43650A)**  
 (Enclosure/Lead Length "L")

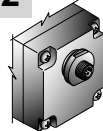


**22mm 3-Pin Rectangular (DIN 43650 Industrial)**  
 (Enclosure/Lead Length "P")

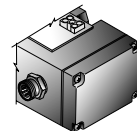


**2-Pin M12 Euro**  
 (Enclosure/Lead Length "6")

**5599-2**



**Manifold Auto Connector**  
 (Enclosure/Lead Length "7", "8", or "9")



**Subbase Auto Connector**  
 (Enclosure/Lead Length "7", "8", or "9")

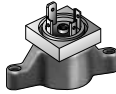
**5599-1 AUTO**



**4-Pin Micro**  
 (Enclosure / Lead Length "2")



**4-Pin Micro 90°**  
 (Enclosure / Lead Length "4")



**4-Pin ISO 4400**  
 (Enclosure / Lead Length "V")



**3-Pin / 5-Pin Mini**  
 (Enclosure / Lead Length "1", "3")



**5-Pin Mini 90°**  
 (Enclosure / Lead Length "5")



**1/2" Conduit**  
 (Enclosure / Lead Length "H")

**Female Electrical Connectors (IP65 Rated)**

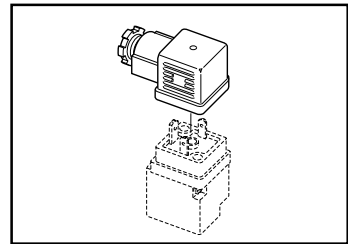
**30mm 3-Pin ISO 4400 (DIN 43650A), Enclosure "L"**

Connector	Connector with 6' (2m) Cord	Description
PS2028CP	PS2028JCP	Unlighted
PS203279CP	PS2032J79CP*	Light – 6-48V, 50/60Hz; 6-48VDC
PS203283CP	PS2032J83CP*	Light – 120V/60Hz
PS203283CP	N/A	Light – 240V/60Hz

\* With surge suppression.

**Engineering Data:**

Conductors: 2 Poles Plus Ground; Cable Range (Connector Only): 8 to 10mm (0.31 to 0.39 Inch); Contact Spacing: 18mm



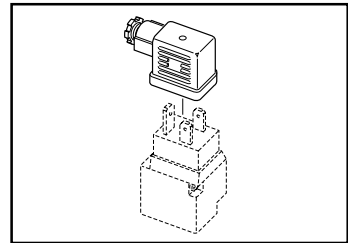
**22mm 3-Pin Rectangular (DIN 43650 Industrial), Enclosure "P"**

Connector	Connector with 6' (2m) Cord	Description
PS2429BP	PS2429JBP	Unlighted
PS243079BP	PS2430J79BP*	Light – 24V/60Hz, 24VDC
PS243083BP	PS2430J83BP*	Light – 120V/60Hz
PS243087BP	N/A	Light – 240V/60Hz

\* With surge suppression.

**Engineering Data:**

Conductors: 2 Poles Plus Ground; Cable Range (Connector Only): 6 to 8mm (0.24 to 0.31 Inch); Contact Spacing: 11mm

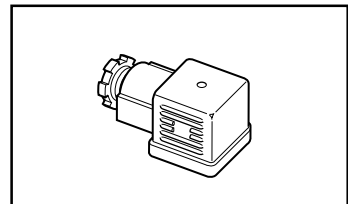


**30mm 4-Pin ISO 4400, Enclosure "V"**

Connector	Description
PS2058P	Unlighted
PS205879P	Light – 24V/60Hz, 24VDC
PS205883P	Light – 120V/60Hz
PS205887P	Light – 240V/60Hz

**Engineering Data:**

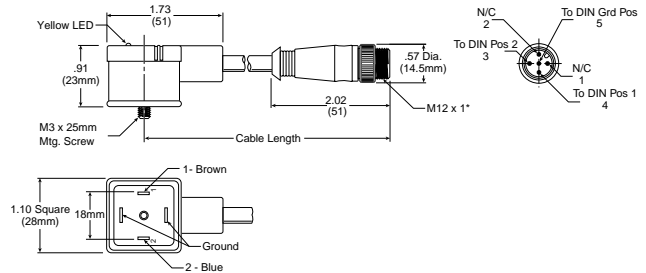
Conductors: 3 Poles Plus Ground; Cable Range (Connector Only): 6 to 8mm (0.24 to 0.31 Inch); Contact Spacing: 18mm



**30mm DIN 43650A to 5-Pin, M12 Connector\***

**E 850B0B08MXXX**

Micro-Change Connector Type		Cable Length	
0	Straight Male	003	0.3 Meter
2	90° Male	006	0.6 Meter
		010	1 Meter
		020	2 Meter
		030	3 Meter
		050	5 Meter
		015	1.5 Meter



\* Available with 90° M12

\* For Availability, Contact Woodhead - Brad Harrison [www.connector.com](http://www.connector.com), 1-800-225-7724

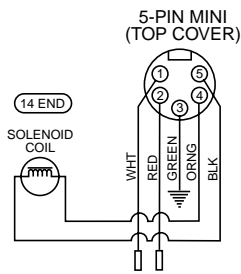
**NOTE: Shaded options have been discontinued. Refer to back of Catalog for Cross Reference Information.**



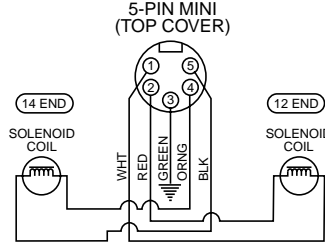
# Automotive Connection – Wiring Options

## 'C' Chrysler Connection

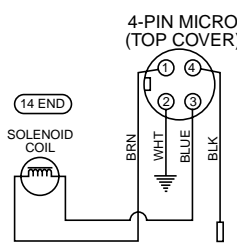
**5-Pin Male / Single Solenoid**  
(Encl. Options 3, 5 & 9, Auto Option C)



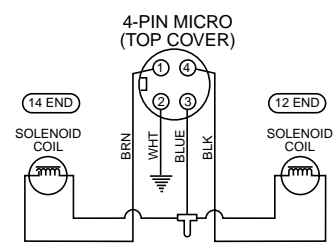
**5-Pin Male / Double Solenoid**  
(Encl. Options 3, 5 & 9, Auto Option C)



**4-Pin Male / Single Solenoid**  
(Encl. Options 2, 4 & 8, Auto Option C)

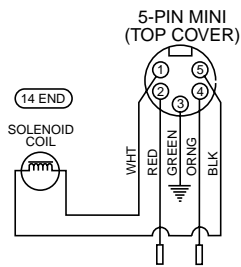


**4-Pin Male / Double Solenoid**  
(Encl. Options 2, 4 & 8, Auto Option C)

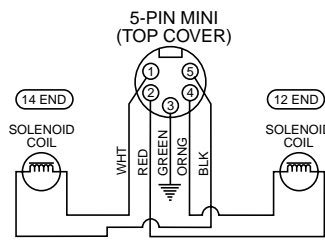


## 'F' SAE / Ford Wiring

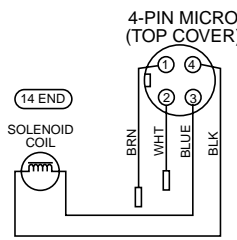
**5-Pin Male / Single Solenoid**  
(Encl. Options 3, 5 & 9, Auto Option F)



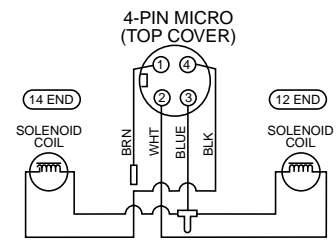
**5-Pin Male / Double Solenoid**  
(Encl. Options 3, 5 & 9, Auto Option F)



**4-Pin Male / Single Solenoid**  
(Encl. Options 2, 4 & 8, Auto Option F)

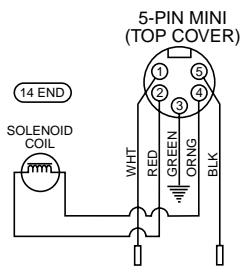


**4-Pin Male / Double Solenoid**  
(Encl. Options 2, 4 & 8, Auto Option F)

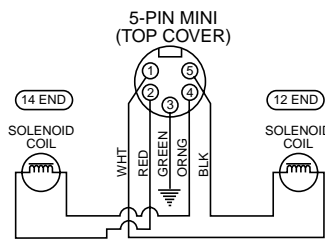


## 'G' GM Wiring

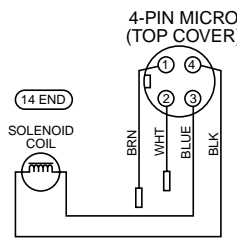
**5-Pin Male / Single Solenoid**  
(Encl. Options 3, 5 & 9, Auto Option G)



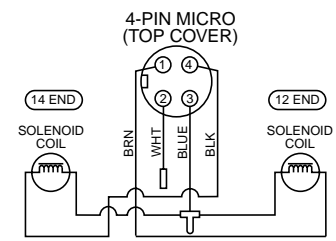
**5-Pin Male / Double Solenoid**  
(Encl. Options 3, 5 & 9, Auto Option G)



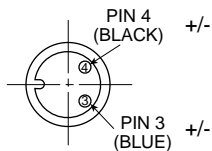
**4-Pin Male / Single Solenoid**  
(Encl. Options 2, 4 & 8, Auto Option G)



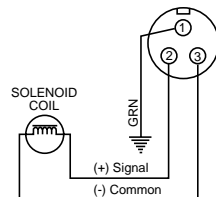
**4-Pin Male / Double Solenoid**  
(Encl. Options 2, 4 & 8, Auto Option G)



**2-Pin Male / Single Solenoid**  
(Encl. Option 6, Auto Option F)

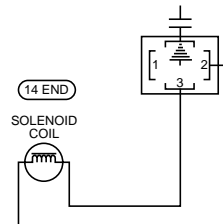


**3-Pin Male / Single Solenoid**  
(Encl. Option 1 & 7, Auto Options C, F & G)

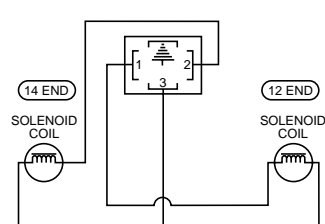


## 4-Pin ISO 4400

**30mm, 4-Pin ISO 4400**  
Single Solenoid  
(Encl. Options V)



**30mm, 4-Pin ISO 4400**  
Double Solenoid  
(Encl. Options V)





## Flow Rating (C<sub>v</sub>)

Size	Port Size	Mounting Style	2-Position	3-Position
H1	3/8"	Subbase Hi-Flow	1.45	1.35
	3/8"	Manifold Hi-Flow	1.55	1.45
H2	1/2"	Subbase Hi-Flow	3.60	3.10
	1/2"	Manifold Hi-Flow	3.60	3.10
H3	3/4"	Subbase Hi-Flow	6.60	6.30
	3/4"	Manifold Hi-Flow	6.60	6.30

Cv tested per ANSI / (NFPA) T3.21.3

## Temperature Rating

-15°C to 49°C (5°F to 120°F) ambient.

## 5599-2, 5599-1 Auto Response Time\*\*

Valve Size	Port Size	0 Cu. In. Chamber		## Cu. In. Chamber	
		Fill	Exhaust	Fill	Exhaust
<b>Single Solenoid 2-Position - Air Return / Spring Assist</b>					
H1	3/8"	.040	.042	.164	.258
H2	1/2"	.056	.058	.137	.203
H3	3/4"	.091	.095	.185	.252

## H1 (50), H2 (100), H3 (200)

\*\* With 100 PSIG supply, time required to fill from 0 to 90 PSIG and Exhaust from 100 PSIG to 10 PSIG measured from the instant of energizing or de-energizing 24VDC solenoid.

Tested per ANSI / (NFPA) T3.21.8

## 5599-2 & 5599-1 AUTO Solenoid Information and Kits

Code	Voltage			Power (VA 60Hz/W)	Holding (mA)	Inrush (mA)	Override 'G' & 'M' Non-Locking	Override 'K' Locking
	AC		DC					
	60Hz	50Hz						
12	24	24	—	2.3VA	98	147	PS3541B42P	Not Offered
15	—	—	12	1.9W	160	—	PS3541B45P	Not Offered
B9	—	—	24	2.3W	94	—	PS3541B49P	PS3541E49P
23	120	110	—	3.8VA	32	44	PS3541B53P	PS3541E53P
83	120	110	—	3.2VA	27	39	PS3541B53P	PS3541E53P
87	240	230	—	1.8VA	8	12	PS3441B57P	Not Offered

Data tested with LED and Surge Suppression.

Voltage rated +10 / -15%.

## 5599-1 CNOMO Solenoid Information and Kits

Code	Voltage			3-Pin 30mm 'L'			3-Pin 22mm 'P'		
	AC		DC	Power (VA 60Hz/W)	Holding Amp (mA)	Coil Kit	Power (VA 60Hz/W)	Holding Amp (mA)	Coil Kit
	60Hz	50Hz							
19	—	—	24	2.8 W	117	PS2828619P*	—	—	—
42	24	24	—	3.8 VA	157	PS2828A42P	5.9 VA	244	PS2828B42P
45	—	—	12	2.4 W	211	PS2828A45P	4.0 W	370	PS2828B45P
49	—	—	24	2.7 W	111	PS2828A49P	4.9 W	204	PS2828B49P
53	120	120	—	3.7 VA	32	PS2828A53P	5.9 VA	49	PS2828B53P
57	230	230	—	3.6 VA	15	PS2828A57P	6.0 VA	15	PS2828B57P

\* Enclosure '6' - 2-Pin M12 Euro with LED & Surge Suppression

**NOTE: Shaded options have been discontinued. Refer to back of Catalog for Cross Reference Information.**

## Operating Pressure

Maximum: 1000 kPa (145 PSIG)

Minimum:

Operator/Function	Internal Pilot	Min. kPa (PSIG) H1	Min. kPa (PSIG) H2 / H3
1	Single Solenoid - 2-Pos	138 (20)	207 (30)
2	Double Solenoid- 2-Pos		
3	Single Remote Pilot - 2-Pos		
4	Double Remote Pilot - 2-Pos	Vacuum	Vacuum
5, 6, 7	Double Solenoid - 3-Pos APB, CE, PC	207 (30)	310 (45)
8, 9, 0	Double Remote Pilot - 3-Pos APB, CE, PC	Vacuum	Vacuum
E	Single Solenoid Pilot - 2-Pos Air Return / Spring Assist	241 (35)	310 (45)
F	Single Remote Pilot - 2-Pos Air Return / Spring Assist		
	<b>External Pilot *</b>		
All	"H" Series	Vacuum	Vacuum

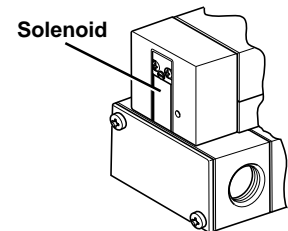
\*External Pilot Pressure / Remote Pilot Signal - 310-1000 kPa (45-145 PSIG).

## CSA / NRTL-C

H1 Valve - Standard at - 1000kPa (145 PSIG)

H2 Valve - Standard at - 1000kPa (145 PSIG)

H3 Valve - Standard at - 1000kPa (145 PSIG)





## Body Service Kits

Series	2-Position	3-Position			Kit Includes:
		APB	CE	PC	
H1	PS3501P	PS3502P	PS3503P	PS3504P	Spool assembly with seals, all piston seals, return & operator Adapter seals, solenoid seals, valve to base gasket, grease packet.
H2	PS3601P	PS3602P	PS3603P	PS3604P	
H3	PS3701P	PS3702P	PS3703P	PS3704P	

## Pilot Plug Kit

Description	Kit Number
Valve Plugs - H1, H2, H3 Qty 20	PS3509P
Sandwich Reg. Plugs - H1 Qty 20	PS3509P
Sandwich Reg. Plugs - H2, H3 Qty 20	PS3609P

## Regulator Spring Range Kits

Spring Range	H1	H2	H3
30 PSIG	PS3450030P	P04427	
60 PSIG	PS3450060P	P04426	
<b>125 PSIG</b>	<b>PS3450125P</b>	<b>P04425</b>	

## Manifold Hardware Kits

Series	Kit Number
H1 12 Tie Rods	PS3512BP
H2 H3 Bolts-4 sets of 3	PS3612P

## Regulator Gauge Kits

Gauge Type	Kit Number
<b>3/4" Face Air - Standard</b> 0-60 PSIG <b>0-160 PSIG</b>	PS3451060P <b>PS3451160P</b>
<b>1-1/2" Face Air - Large*</b> 0-60 PSIG 0-160 PSIG	PS3553060P PS3553160P
<b>1-1/2" Face Liquid*</b> 0-160 PSIG	PS3452160P

\* Includes brass pipe fitting extensions

## Manifold to Manifold Gasket Kits

Series	Kit Number
H1 Qty. 1	PS3513BP
H2 Qty. 1	PS3613P
H3 Qty. 1	PS3713P

## Regulator Conversion Kits

Series	Manual Bonnet Assembly (w/o Spring)	Air Pilot Bonnet Assembly	Independent By-Pass Plate
H1	PS3445P	PS3447P	PS3548P
H2	PS3645P	PS3647P	PS3648P
H3			

## Regulator Kits

Series	Kit Number
H1	PS3439P
H2 H3	PS3639P

## Regulator & Flow Control Mounting Studs

Type	H1	H2	H3
Flow Control Qty. 12	PS3536P	PS3636P	PS3736P
Regulator Qty. 12	PS3540P	PS3640P	PS3740P

**NOTE: Shaded options have been discontinued. Refer to back of Catalog for Cross Reference Information.**

**"F3" Valve**

**"F5" Valve**

**"F6" Valve**

**"F7" Valve**

**Specifications**

- F3: .75 Cv
- F5: 1.55 Cv
- F6: 3.60 Cv
- F7: 6.60 Cv

**Operating Pressure**

- Vacuum to 145 PSIG

**Ports**

- NPT Standard
- BSPP "G" Option
- 1/8 Inch to 3/4 Inch Cylinder Ports
- End and Bottom Cylinder Ports

**Manifolds**

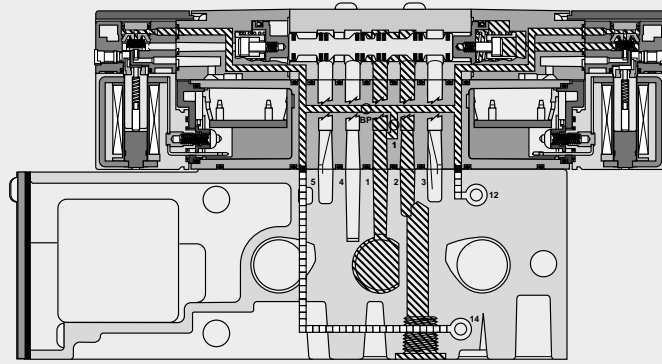
- Terminal Block Wiring
- Collective Wiring
- 25-Pin, D-Sub
- 19-Pin Round
- Allen-Bradley - Dual 12-Pin Round
- FlexSAM Serial Bus
- Transition Plates

**Solenoids**

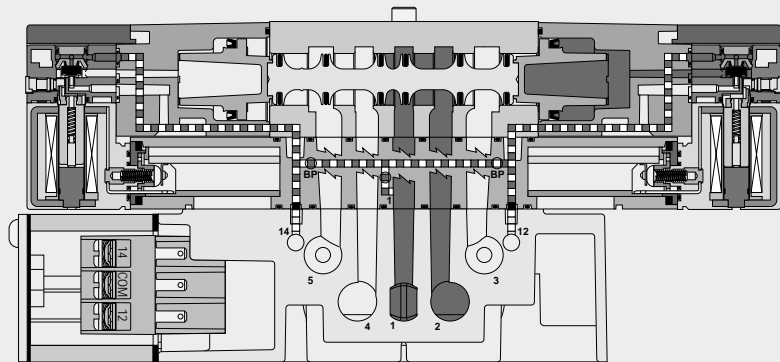
- Bi-Polar
- Light and Surge Suppression Standard
- Less than 1.8W
- 12VDC to 240VAC

**Certification / Approval**

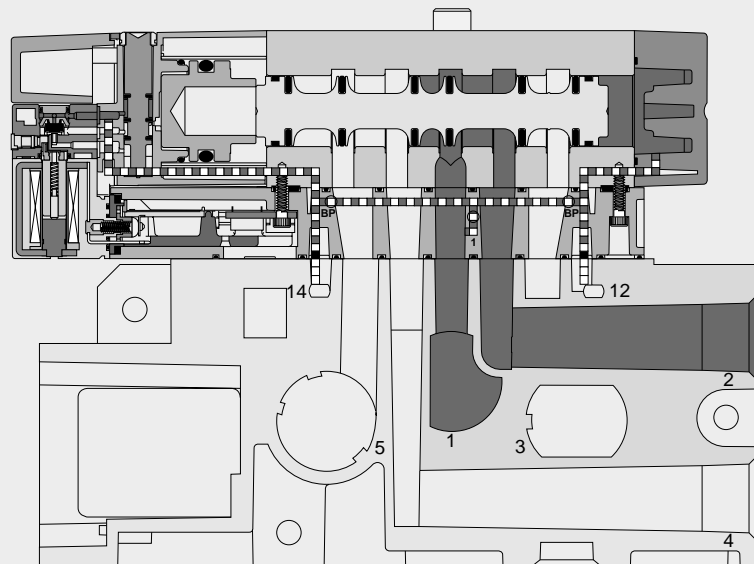
- Approved to be CE Marked
- NEMA 4
- IP65 (25-Pin, D-Sub)
- CSA/NRTL-C



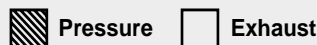
**F3 Double Solenoid 3-Position Manifold Mounted**



**F5 Double Solenoid Subbase Mounted**

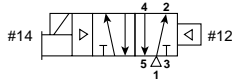


**F6 Single Solenoid Manifold Mounted**





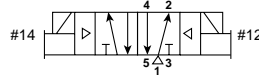
**Single Solenoid**  
**2-Position**



<b>F3</b>	<b>F31VXBG019A</b> <b>F31VXBG023A</b>	24VDC 120VAC	.75 Cv
<b>F5</b>	<b>F51VXBG019A</b> <b>F51VXBG023A</b>	24VDC 120VAC	1.55 Cv
<b>F6</b>	<b>F61VXBG019A</b> <b>F61VXBG023A</b>	24VDC 120VAC	3.60 Cv
<b>F7</b>	<b>F71VXBG019A</b> <b>F71VXBG023A</b>	24VDC 120VAC	6.60 Cv

NLMOR, LED-Surge Suppression, Internal Pilot, Valve Less Base

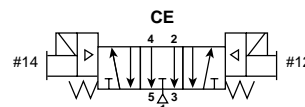
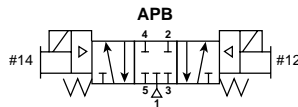
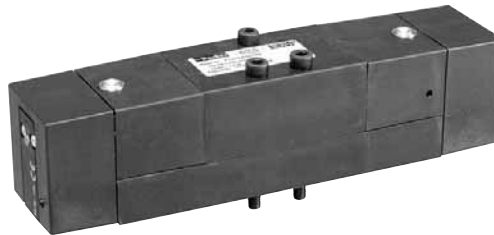
**Double Solenoid**  
**2-Position**



<b>F3</b>	<b>F32VXBG019A</b> <b>F32VXBG023A</b>	24VDC 120VAC	.75 Cv
<b>F5</b>	<b>F52VXBG019A</b> <b>F52VXBG023A</b>	24VDC 120VAC	1.55 Cv
<b>F6</b>	<b>F62VXBG019A</b> <b>F62VXBG023A</b>	24VDC 120VAC	3.60 Cv
<b>F7</b>	<b>F72VXBG019A</b> <b>F72VXBG023A</b>	24VDC 120VAC	6.60 Cv

NLMOR, LED-Surge Suppression, Internal Pilot, Valve Less Base

**Double Solenoid**  
**3-Position APB**  
**3-Position CE**

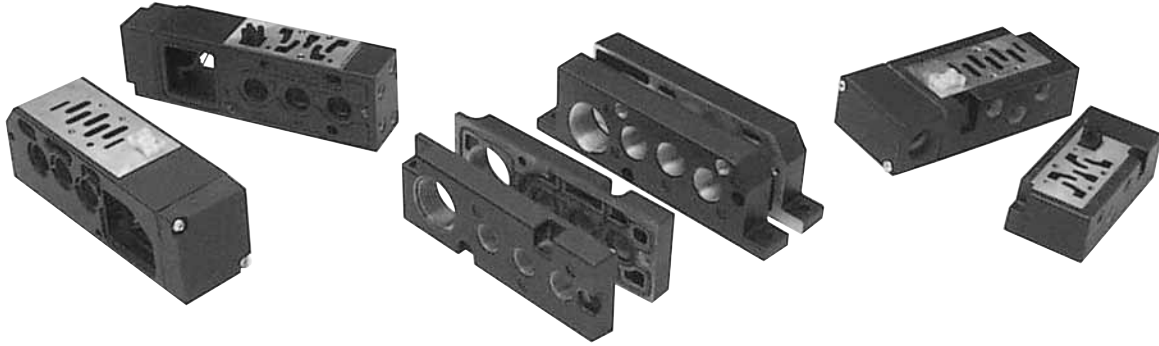


	<b>APB</b>			<b>CE</b>		
<b>F3</b>	<b>F35VXBG019A</b> <b>F35VXBG023A</b>	24VDC 120VAC	.55 Cv	<b>F36VXBG019A</b> <b>F36VXBG023A</b>	24VDC 120VAC	.60 Cv
<b>F5</b>	<b>F55VXBG019A</b> <b>F55VXBG023A</b>	24VDC 120VAC	1.35 Cv	<b>F56VXBG019A</b> <b>F56VXBG023A</b>	24VDC 120VAC	1.50 Cv
<b>F6</b>	<b>F65VXBG019A</b> <b>F65VXBG023A</b>	24VDC 120VAC	3.10 Cv	<b>F66VXBG019A</b> <b>F66VXBG023A</b>	24VDC 120VAC	3.70 Cv
<b>F7</b>	<b>F75VXBG019A</b> <b>F75VXBG023A</b>	24VDC 120VAC	6.30 Cv	<b>F76VXBG019A</b> <b>F76VXBG023A</b>	24VDC 120VAC	6.40 Cv

NLMOR, LED-Surge Suppression, Internal Pilot, Valve Less Base

**NOTE: Shaded options have been discontinued. Refer to back of Catalog for Cross Reference Information.**

**Manifold / End Plate / Subbase Kits**

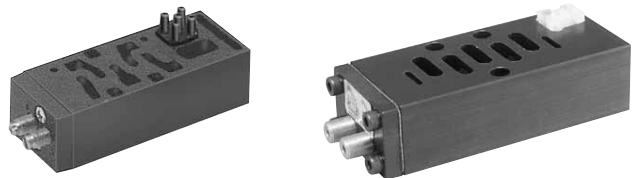


	Manifolds Kits				End Plate Kits		Subbases Kits	
	End Port	Cyl. Ports	End and Bottom Port	Cyl. Ports		1, 3, 5 Ports	Side Ports	All Ports
<b>F3</b>	PS341151CBP	1/8"	PS341161CBP	1/8"	PS343100CP	3/8"	PS341111CP	1/8"
	PS341152CBP	1/4"	PS341162CBP	1/4"			PS341112CP	1/4"
<b>F5</b>	—	—	PS351163CBP	1/4"	PS353100BP	1/2"	PS351113CP	1/4"
	—	—	PS351165CBP	3/8"			PS351115CP	3/8"
<b>F6</b>	PS361155CP	3/8"	PS361165CP	3/8"	PS363100P	3/4"	PS361115CP	3/8"
	PS361157CP	1/2"	PS361167CP	1/2"			PS361117CP	1/2"
<b>F7</b>	PS371157CP	1/2"	PS371167CP	1/2"	PS373100P	1"	PS371117CP	1/2"
	PS371159CP	3/4"	PS371169CP	3/4"			PS371119CP	3/4"

All ports are standard NPT. Individual Terminal Block is standard.

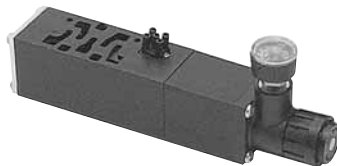
**Sandwich Flow Control Kits**

<b>F3</b>	PS3435P	<b>F6</b>	PS3635P
<b>F5</b>	PS3535P	<b>F7</b>	PS3735P

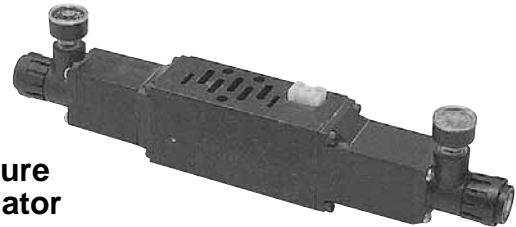


**Sandwich Regulator Kits**

**Common Pressure Regulator**



**Dual Pressure Regulator**



<b>F3</b>	PS3438166P	<b>F6</b>	PS3638166P
<b>F5</b>	PS3538166P	<b>F7</b>	PS3738166P

125 PSIG with 3/4" Gauge

125 PSIG with 1-1/2" Gauge

<b>F3</b>	PS3438266P	<b>F6</b>	PS3638266P
<b>F5</b>	PS3538266P	<b>F7</b>	PS3738266P

125 PSIG with 3/4" Gauge

125 PSIG with 1-1/2" Gauge

**NOTE: Shaded options have been discontinued. Refer to back of Catalog for Cross Reference Information.**

**"F" Series Valve BOLD OPTIONS ARE STANDARD**

Basic Series	Operator / Function	Mounting / Port Size	Pilot Source / Exhaust	Overrides / Lights	Enclosures / Lead Length	Voltage & Frequency	Options	Wiring Options	Engineering Level
<b>F3</b>	<b>1</b>	<b>51</b>	<b>B</b>	<b>G</b>	<b>C</b>	<b>23</b>	<b>---</b>	<b>-</b>	
<b>Basic Series</b> F3 F5 F6 F7	<b>Operator / Function</b> 1 <b>Single Solenoid, 2-Position - Air Return</b> 2 <b>Double Solenoid, 2-Position</b> 3 Single Remote Pilot, 2-Position - Air Return 4 Double Remote Pilot, 2-Position 5 <b>Double Solenoid, 3-Position - APB</b> 6 <b>Double Solenoid, 3-Position - CE</b> 7 Double Solenoid, 3-Position - PC 8 Double Remote Pilot, 3-Position - APB 9 Double Remote Pilot, 3-Position - CE 0 Double Remote Pilot, 3-Position - PC E Single Solenoid, 2-Position - Air Return / Spring Assist F Single Remote Pilot, 2-Position - Air Return / Spring Assist N* Double Solenoid, Dual 3/2 NC / NC P* Double Solenoid, Dual 3/2 NO / NO Q* Double Solenoid, Dual 3/2 NC / NO	<b>Pilot Source / Exhaust</b> 0 None, Remote Pilot Valve <b>B Internal - Port #1 / Vented</b> L External - Pilot #14 / Vented P External - Pilot #12 / Vented	<b>Overrides / Lights</b> 0 None, Remote Pilot Valve <b>G Flush, Non-Locking / Lighted</b> H* Flush, Locking / Lighted J*† Extended, Non-Locking / Lighted K† Extended, Locking / Lighted L Heavy Duty - Non-Locking / Lighted (F5 Only)	<b>Enclosures / Lead Length</b> <b>0 None, Remote Pilot Valve or Valve Less Base</b> 7* 3-Pin Mini Connector in Base (Single Solenoid Only) 8† 4-Pin M12 Euro Connector in Base 9 5-Pin Mini Connector in Base A 6" Leads in Base	<b>Options</b> <b>Blank None</b> 000 No Sandwich Options with Wiring Options 'C', 'F', 'G' 001 Sandwich Flow Control 166 Common Port Regulator, 0-125 PSIG w/Gauge 206 Single Port Regulator - Port #2, 125 PSIG w/Gauge 260 Single Port Regulator - Port #4, 125 PSIG w/Gauge 266 Dual Port Regulator - Port #2 & #4, 125 PSIG w/Gauge 466 Sandwich Flow Control & Common Port Regulator, 0-125 PSIG w/Gauge	<b>Wiring Options</b> <b>Blank None</b> C* Chrysler F* Ford G* General Motors * Digit Required with Enclosure 7, 8 & 9	<b>Engineering Level</b> A Current		
* Available with F3 Valve, Pilot Source / Exhaust Option "B" Only.			* N/A with F6 / F7 † N/A with voltage codes 12, 15 and 87.			* Only Available with Single Solenoids. † Only Available with Voltage Code "19"-24VDC. ‡ Only Available with Manifold Kits. Not Available with 240VAC.			

Mounting Base Style / Port Size	
<b>F3</b> 11 Subbase: 1/8 NPT Side Ports <b>12 Subbase: 1/4 NPT Side Ports</b> 14* Subbase: 1/4 BSPP Side Ports 22 Subbase: 1/4 NPT Bottom / Side Port 51 Manifold: 1/8 NPT End Ports <b>52 Manifold: 1/4 NPT End Ports</b> 62 Manifold: 1/4 NPT Bottom / End Port 64* Manifold: 1/4 BSPP Bottom / End Port 82 Manifold: 1/4 NPT Bottom / End Port - Auxiliary Inlet & Outlet 84* Manifold: 1/4 BSPP Bottom / End Port - Auxiliary Inlet & Outlet VX Valve Less Base	<b>F6</b> 15 Subbase: 3/8 NPT Side Ports <b>17 Subbase: 1/2 NPT Side Ports</b> 18† Subbase: 1/2 BSPP Side Ports 25 Subbase: 3/8 NPT Bottom / Side Port 27 Subbase: 1/2 NPT Bottom / Side Port 55 Manifold: 3/8 NPT End Port <b>57† Manifold: 1/2 NPT End Port</b> 65 Manifold: 3/8 NPT Bottom / End Port 67 Manifold: 1/2 NPT Bottom / End Port 68 Manifold: 1/2 BSPP Bottom / End Port VX Valve Less Base
<b>F5</b> 13 Subbase: 1/4 NPT Side Ports <b>15 Subbase: 3/8 NPT Side Ports</b> 16† Subbase: 3/8 BSPP Side Ports 23 Subbase: 1/4 NPT Bottom / Side Ports 25 Subbase: 3/8 NPT Bottom / Side Port 63 Manifold: 1/4 NPT Bottom / End Port <b>65 Manifold: 3/8 NPT Bottom / End Port</b> 66† Manifold: 3/8 BSPP Bottom / End Port 85 Manifold: 3/8 NPT Bottom / End Port - Auxiliary Inlet & Outlet 86† Manifold: 3/8 BSPP Bottom / End Port - Auxiliary Inlet & Outlet VX Valve Less Base	<b>F7</b> 17 Subbase: 1/2 NPT Side Ports <b>19 Subbase: 3/4 NPT Side Ports</b> 10† Subbase: 3/4 BSPP Side Port 27 Subbase: 1/2 NPT Bottom / Side Port 29 Subbase: 3/4 NPT Bottom / Side Port 57 Manifold: 1/2 NPT End Port <b>59 Manifold: 3/4 NPT End Port</b> 67 Manifold: 1/2 NPT Bottom / End Port 69 Manifold: 3/4 NPT Bottom / End Port 60† Manifold: 3/4 BSPP Bottom / End Port VX Valve Less Base
* BSPP ISO 228 Specifications. † BSPP ISO 1179 Specifications.	

	AC		DC	Light & Surge Sup
	60Hz	50Hz		
12†	24	24		LED & Sup
15†			12	LED & Sup
19			24	LED & Sup
23	120	115		LED & Sup
83*	120	115		Neon & Sup
87†‡	240	230		Neon & Sup
XX	Remote Pilot			

\* For use with Triac Switch. The typical power bleed from a Triac Switch may keep the solenoid and indicator lamp energized even after the solenoid has been de-energized. The Triac option for 120 / 60 is likely to de-energize the solenoid and lamp. The neon lamp is used because it requires a higher voltage to maintain illumination over the LED.  
 † Not available with Override / Light option "J" & "K".  
 ‡ Not available with Enclosures "J" & "M".

**NOTE: Shaded options have been discontinued. Refer to back of Catalog for Cross Reference Information.**

**Manifold and Subbase Kit Ordering Code**

<b>F3</b> Basic Series	<b>Mounting Base Style / Port Size</b>	<b>Enclosures / Lead Length</b>	<b>Wiring Options</b>	<b>Engineering Level</b>	<b>Factory Designator</b>
<b>PS3411</b>	<b>52</b>	<b>C</b>	<b>—</b>	<b>B</b>	<b>P</b>
<b>F5</b>		<b>Enclosures / Lead Length</b>		<b>Engineering Level</b>	
<b>PS3511</b>		<b>0</b> None, Remote Pilot Valve or Valve Less Base		<b>Blank Subbase</b>	
		<b>7*</b> 3-Pin Mini Connector in Base (Single Solenoid Only)	<b>B</b> 72" Leads in Base	<b>B F3, F5</b> Manifold	
		<b>8†</b> 4-Pin M12 Euro Connector in Base	<b>C</b> Individual Terminal Block		
		<b>9</b> 5-Pin Mini Connector in Base	<b>J‡</b> Circuit Board, Single Address		
		<b>A</b> 6" Leads in Base	<b>M‡</b> Circuit Board, Double Address		
			<b>T†</b> SAM Generation 3.0 Style		
			<b>W</b> 144" Leads in Base		
				<b>Wiring Options</b>	
				<b>Blank None</b>	
				<b>C*</b> Chrysler	
				<b>F*</b> Ford	
				<b>G*</b> General Motors	

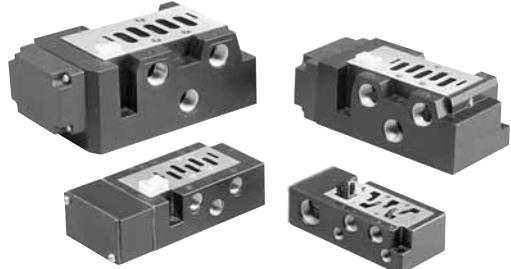
\* Only Available with Single Solenoids.  
 † Only Available with Voltage Code "19"-24VDC.  
 ‡ Only Available with Manifold Kits. Not Available with 240VAC.

\* Digit Required with Enclosure 7, 8 & 9

Mounting Base Style / Port Size	
<b>F3</b>	<b>F6</b>
11 Subbase: 1/8 NPT Side Ports	15 Subbase: 3/8 NPT Side Ports
12 <b>Subbase: 1/4 NPT Side Ports</b>	17 <b>Subbase: 1/2 NPT Side Ports</b>
14* Subbase: 1/4 BSPP Side Ports	18† Subbase: 1/2 BSPP Side Ports
22 Subbase: 1/4 NPT Bottom / Side Port	25 Subbase: 3/8 NPT Bottom / Side Port
51 Manifold: 1/8 NPT End Ports	27 Subbase: 1/2 NPT Bottom / Side Port
52 <b>Manifold: 1/4 NPT End Ports</b>	55 Manifold: 3/8 NPT End Port
62 Manifold: 1/4 NPT Bottom / End Port	57 <b>Manifold: 1/2 NPT End Port</b>
64* Manifold: 1/4 BSPP Bottom / End Port	65 Manifold: 3/8 NPT Bottom / End Port
82 Manifold: 1/4 NPT Bottom / End Port - Auxiliary Inlet & Outlet	67 Manifold: 1/2 NPT Bottom / End Port
84* Manifold: 1/4 NPT Bottom / End Port - Auxiliary Inlet & Outlet	68† Manifold: 1/2 BSPP Bottom / End Port
<b>F5</b>	<b>F7</b>
13 Subbase: 1/4 NPT Side Ports	17 Subbase: 1/2 NPT Side Ports
15 <b>Subbase: 3/8 NPT Side Ports</b>	19 <b>Subbase: 3/4 NPT Side Ports</b>
16† Subbase: 3/8 BSPP Side Ports	10† Subbase: 3/4 BSPP Side Port
23 Subbase: 1/4 NPT Bottom / Side Ports	27 Subbase: 1/2 NPT Bottom / Side Port
25 Subbase: 3/8 NPT Bottom / Side Port	29 Subbase: 3/4 NPT Bottom / Side Port
63 Manifold: 1/4 NPT Bottom / End Port	57 Manifold: 1/2 NPT End Port
65 <b>Manifold: 3/8 NPT Bottom / End Port</b>	59 <b>Manifold: 3/4 NPT End Port</b>
66† Manifold: 3/8 BSPP Bottom / End Port	67 Manifold: 1/2 NPT Bottom / End Port
85 Manifold: 3/8 NPT Bottom / End Port - Auxiliary Inlet & Outlet	69 Manifold: 3/4 NPT Bottom / End Port
86† Manifold: 3/8 BSPP Bottom / End Port - Auxiliary Inlet & Outlet	60† Manifold: 3/4 BSPP Bottom / End Port

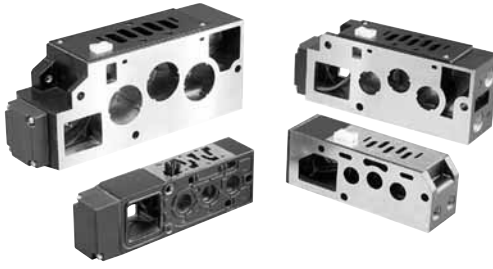
\* BSPP ISO 228 Specifications  
 † BSPP ISO 1179 Specifications

**Subbase Kits**



Mounting / Base Style →	1	2
#1, #2, #3, #4, #5 Side Port	F3, F5, F6, F7	F3, F5, F6, F7
#1, #2, #3, #4, #5 Bottom Port	F3, F5, F6, F7	F3, F5, F6, F7
#12 & #14 Pilot Port	F3, F5, F6, F7	F3, F5, F6, F7

**Manifold Kits**



Mounting / Base Style →	5	6	8
#2 & #4 End Port	F3, F6, F7	F3, F5, F6, F7	F3, F5
#2 & #4 Bottom Port	F3, F5, F6, F7	F3, F5, F6, F7	F3, F5
#1 Bottom Port	F3, F6, F7	F3, F6, F7	F3
#12 & #14 Pilot Port	F3	F3	F3

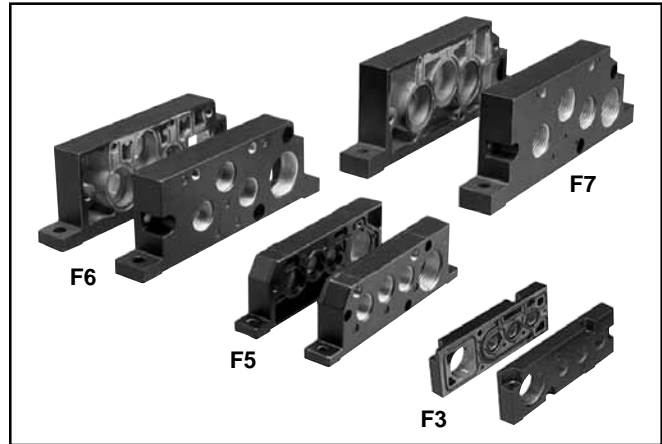
**NOTE: Shaded options have been discontinued. Refer to back of Catalog for Cross Reference Information.**

**End Plate**

Size	Port Size	Kit Number	
		NPT	BSPP "G"
F3	3/8"	PS343100CP	*PS343101CP
F5	1/2"	PS353100BP	PS353101BP
F6	3/4"	PS363100P	PS363101P
F7	1"	PS373100P	PS373101P

**Kit includes:** (3) Lock Washers, (3) Socket Head Screws, (3) Fat Washers, (1) Gasket, (1) End Plate without Gasket Track, and (1) End Plate with Gasket Track.

\* BSPP ISO 228 Specifications.



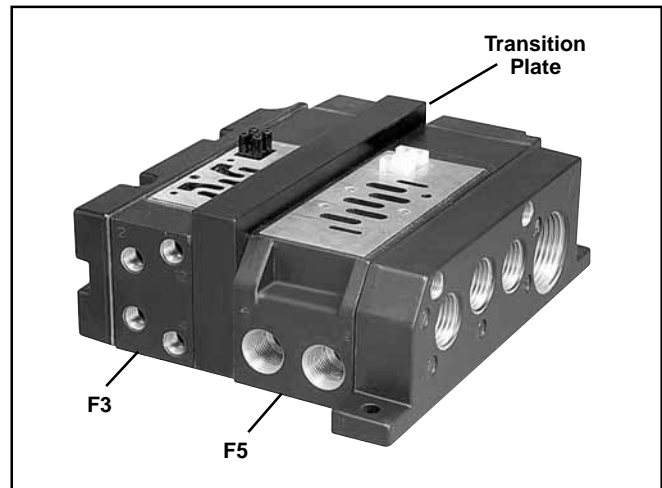
**Transition Plate**

Size	Kit Number	
	NPT	BSPP "G"
F3 to F5	PS3527000P	*PS3527001P
F3 to F6	PS3626000P	*PS3626001P
F5 to F6	PS3627000P	PS3627001P
F5 to F7	PS3726000P	PS3726001P
F6 to F7	PS3727000P	PS3727001P

- Allows manifolding of multiple size F Series valves.
- LOOKING AT THE CYLINDER PORTS, the smaller valve is on the LEFT.
- Transition Plate width:
 

F3 / F5	.72" (18mm)	F5 / F7	1.93" (49mm)
F3 / F6	1.57" (40mm)	F6 / F7	2.42" (61,5mm)
F5 / F6	2.36" (60mm)		
- **Kit includes:** (1) Standard Left Hand End Plate - smaller, (1) Standard Right Hand End Plate - larger, (1) Transition Plate, bolts, washers and gaskets.

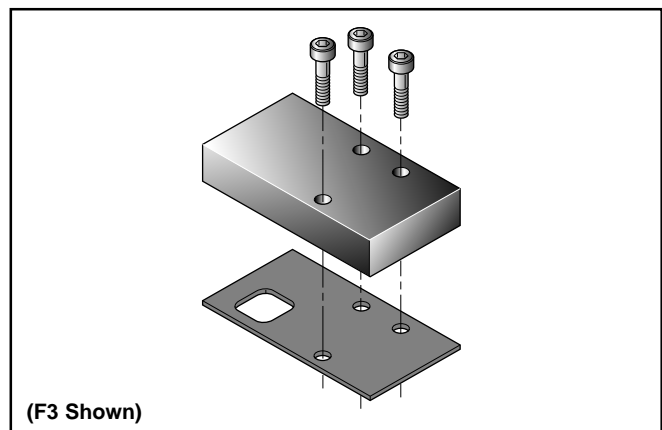
\* BSPP ISO 228 Specifications.



**Blanking Plate**

Size	Kit Number
F3	PS3434P
F5	PS4034P
F6	PS4134P
F7	PS4234P

**Kit includes:** (1) Blanking Plate, (1) Gasket, and (3) Mounting Bolts.



**NOTE: Shaded options have been discontinued. Refer to back of Catalog for Cross Reference Information.**

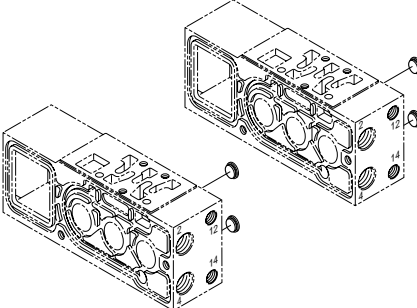
## Manifold Port Isolation

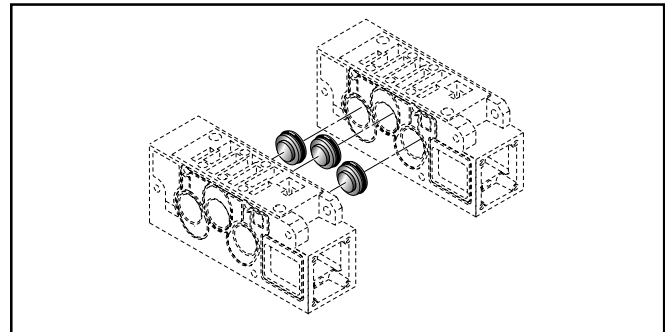
### • Main Galley (1, 3, 5)

Size	Kit Number	Size	Kit Number
F3	PS3432P	F6	PS3632P
F5	PS3532P	F7	PS3732P

Kit includes: (3) Plugs with O-rings.

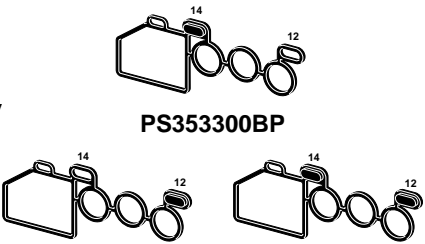
### • Pilot Galley

F3	PS3433P (2) Plugs w/O-Rings	
F6	PS3633P (2) Plugs w/O-Rings	
F7	PS3733P (2) Plugs w/O-Rings	



F5

Select appropriate gasket to block external pilot galley for special piloting applications.



PS353300BP

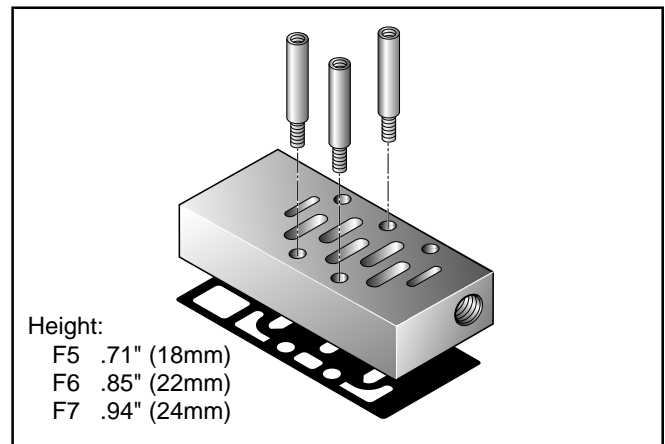
PS353301BP

PS353302BP

## Remote Pilot Access Plate

Size	Port Size	Kit Number	
		NPT	BSPP "G"
F5	1/8"	PS351500P	PS351501P
F6	1/8"	PS361500P	PS361501P
F7	1/8"	PS371500P	PS371501P

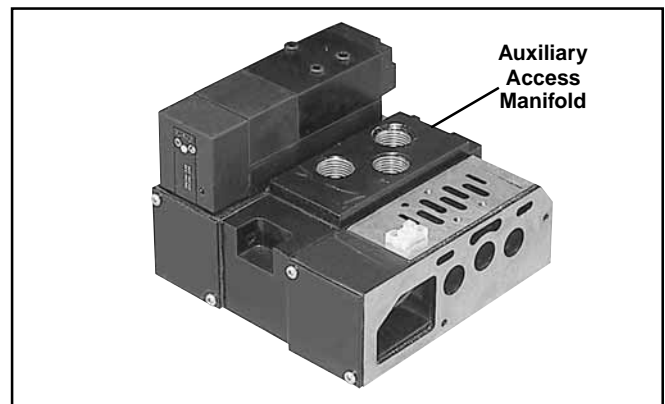
- Provides access to #12 & #14 valve pilots.
- Required for Single or Double Remote Pilot Valve on a **MANIFOLD**. (It is included when you order the valve/manifold combination, not included with valve only.)
- Not required with subbase mounting.
- **Kit includes:** Pilot Port Access Plate, Gasket and 3 Mounting Studs.



## Auxiliary Access Manifold Kit

Size	Kit Number	
	NPT	BSPP "G"
F5	PS352800BP	PS352801BP
F5 Interconnect	PS352810BP*	PS352811BP*

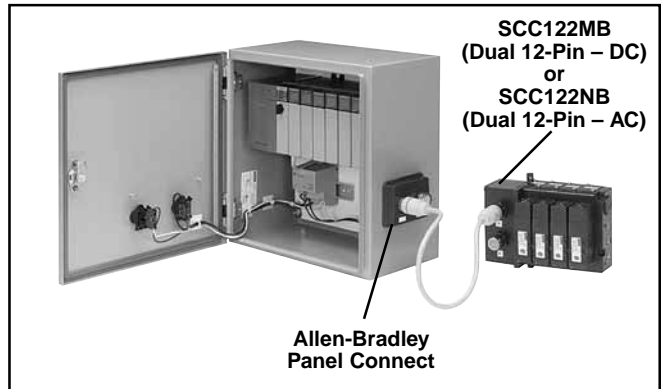
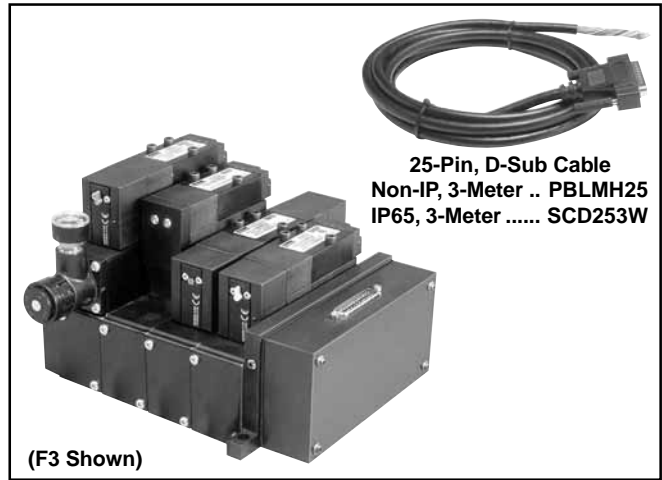
- Used in F5 manifold systems to provide auxiliary access to #1, #3, and #5 ports.
- Top: 1/2" – #1, #3, and #5 port.
- Bottom: 1/2" – #1 port.
- End (12): 1/8" – #12 and #14 port.
- **Kit includes:** Access Manifold, Gasket and all required hardware.
- \* Interconnect Kit includes Wiring Harness.
- Width: 1.93" (49mm)



**NOTE: Shaded options have been discontinued. Refer to back of Catalog for Cross Reference Information.**

**Features**

- Interconnect Manifolds
- 25-Pin, D-Sub – 24 Addresses
- 19-Pin Round – 16 Addresses
- Dual 12-Pin Round – 16 Addresses
- FlexSAM Serial Bus – 32 Addresses
- SAM 3.0 Serial Bus – 4 Addresses
- Manifold Additions for In-Field Conversions, Plug "N" Play

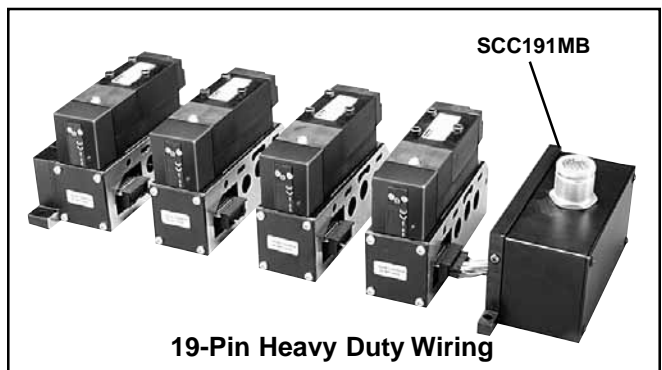
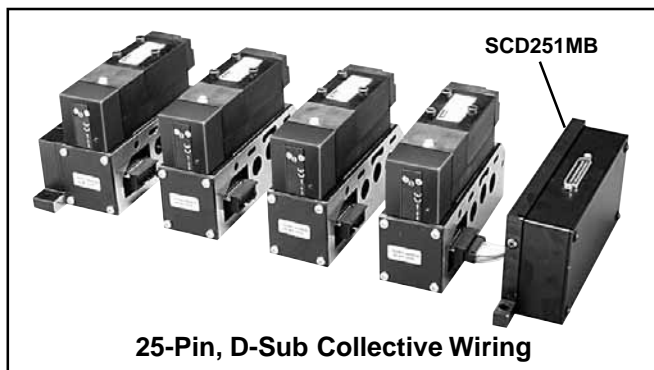
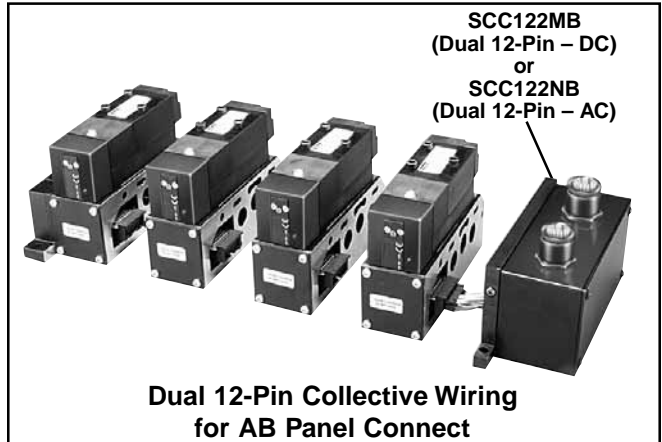


**Collective Wiring Module**

Size	Kit Number
25-Pin, D-Sub Module*†	<b>SCD251MB</b>
19-Pin Heavy Duty Round*†	<b>SCC191MB</b>
Dual 12-Pin Round - DC*†	<b>SCC122MB</b>
Dual 12-Pin Round - AC*†	<b>SCC122NB</b>
D-Sub Cable, Non-IP, 3 Meters†	<b>P8LMH25M3A</b>

\* **Kit includes:** (1) Wiring Module with Circuit Board Connection, (1) Gasket, (4) Tie Rods and (4) Bolts.

† Available with "H" Series, ISO 5599-2, Sizes 1, 2, 3. (See Catalog 0645/USA)



**Collective Wiring (CW)**  
**End Plate Kit**

		NPT	BSPP
<b>F3</b>	Blank	PS3420L00P	PS3420L01P
	3/8" Top Port	PS3420L10P	*PS3420L11P
<b>F5</b>	Blank	PS3520L00P	PS3520L01P
	1/2" Top Port	PS3520L10P	PS3520L11P
<b>F6</b>	Blank	PS3620L00P	PS3620L01P
	3/4" Top Port	PS3620L10P	PS3620L11P
<b>F7</b>	Blank	PS3720L00P	PS3720L01P
	1" Top Port	PS3720L10P	PS3720L11P

**Kit includes:** (1) CW Left Hand Interface Plate (blank or ported), (1) Standard Right Hand End Plate, bolts, washers, gaskets.

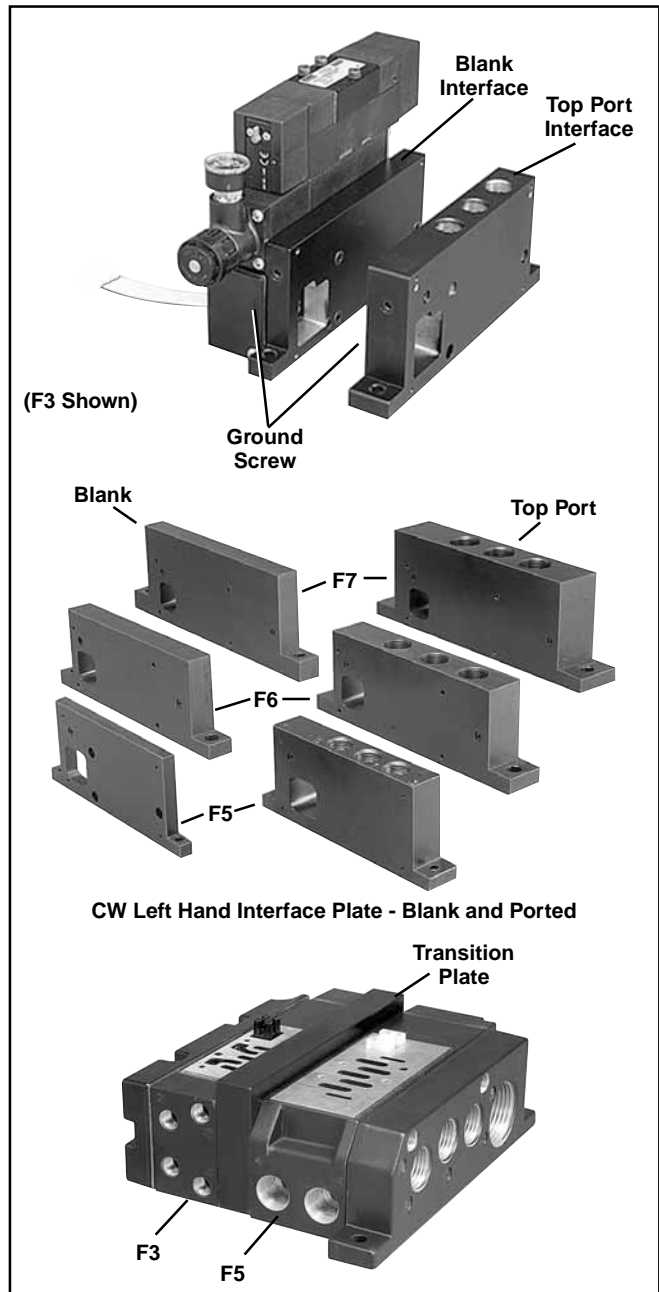
\* BSPP ISO 228 Specifications.

**Collective Wiring (CW)**  
**Transition Plate Kit**

		NPT	BSPP
<b>F3 to F5</b>	Blank	PS3527L00P	PS3527L01P
	3/8" Top Port	PS3527L10P	*PS3527L11P
<b>F3 to F6</b>	Blank	PS3626L00P	PS3626L01P
	3/8" Top Port	PS3626L10P	*PS3626L11P
<b>F5 to F6</b>	Blank	PS3627L00P	PS3627L01P
	1/2" Top Port	PS3627L10P	PS3627L11P
<b>F5 to F7</b>	Blank	PS3726L00P	PS3726L01P
	1/2" Top Port	PS3726L10P	PS3726L11P
<b>F6 to F7</b>	Blank	PS3727L00P	PS3727L01P
	3/4" Top Port	PS3727L10P	PS3727L11P

**Kit includes:** (1) CW Left Hand Interface Plate (blank or ported) - smaller, (1) Transition Plate, (1) Standard Right Hand End Plate - bolts, washers, gaskets, (1) Collective Wiring Jumper Assembly.

\* BSPP ISO 228 Specifications.



Interface plate includes a machined hole for the addition of a ground screw. An earth ground is recommended for all voltages. Follow standard electrical protocol.

**How to Assemble a Collective Wiring (CW) Add-A-Fold**

**Collective Wiring Manifold Configuration:**

- Choose desired number of Valves / Manifolds with Circuit Boards
- Choose CW End Plate or CW Transition Plate Kit
  - Plug-in and assemble Manifolds and End Plates together.
- Collective Wiring Module SCD251MB or SCC191MB
  - Plug-in and assemble Collective Wiring Module to Collective Wiring Left Hand End Plate.

**NOTE:** Shaded options have been discontinued. Refer to back of Catalog for Cross Reference Information.



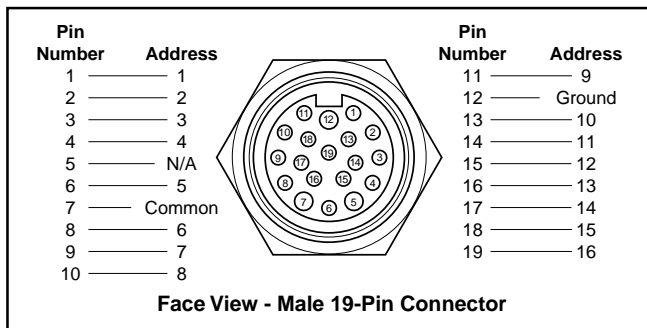
## Technical Specifications

### Maximum Solenoids Energized Simultaneously

	Voltage Code	25-Pin D-Sub	19-Pin Round	Dual 12-Pin Round	FlexSAM	SAM 3.0
12VDC	15	18	16	N/A	N/A	N/A
24VAC	12	24	16	N/A	N/A	N/A
24VDC	19	24	16	16	32*	4
120VAC	23, 83	24	16	16	N/A	N/A

\* The maximum number of addressed solenoids for FlexSAM is 26 through the interconnect system. For 28 through 32 addressed solenoids all bases are "hard-wired" and valves have to be selected with the terminal block option.

## 19-Pin Round Brad Harrison



## 19-Pin Round Cable Specifications

Common Pin "7" is rated for 8 amps. Cable common wire must be greater than total amperage of solenoids on Add-A-Fold assembly.

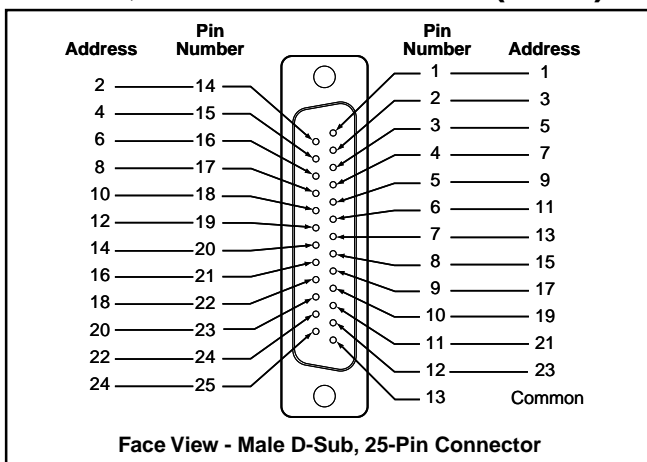
*Example:* 8 station manifold, 16 solenoids, 120VAC - 16 x .039 amps = .63 total amp rating. NEMA 4 rated with properly assembled NEMA 4 rated cable.

### Female Cable Assemblies:

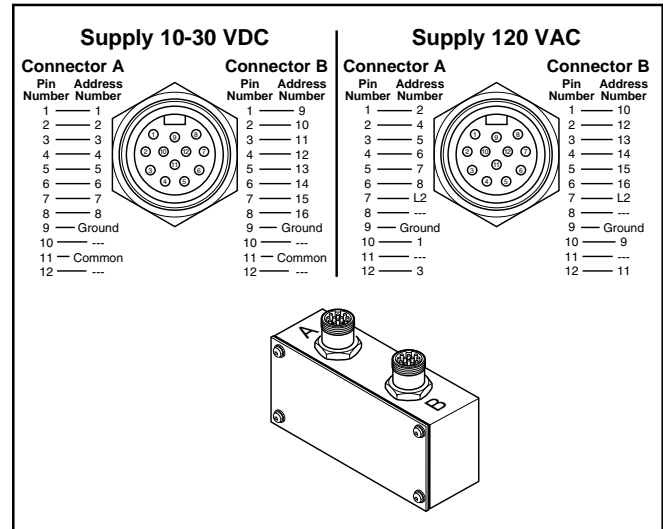
Refer to [www.connector.com](http://www.connector.com)

Brad Harrison #333030P80M050	16.40 ft. (Female to Male Cable)
Brad Harrison #333030P80M0100	32.80 ft. (Female to Male Cable)

## 25-Pin, D-Sub Connector (Male)



## Dual 12-Pin Round Allen-Bradley



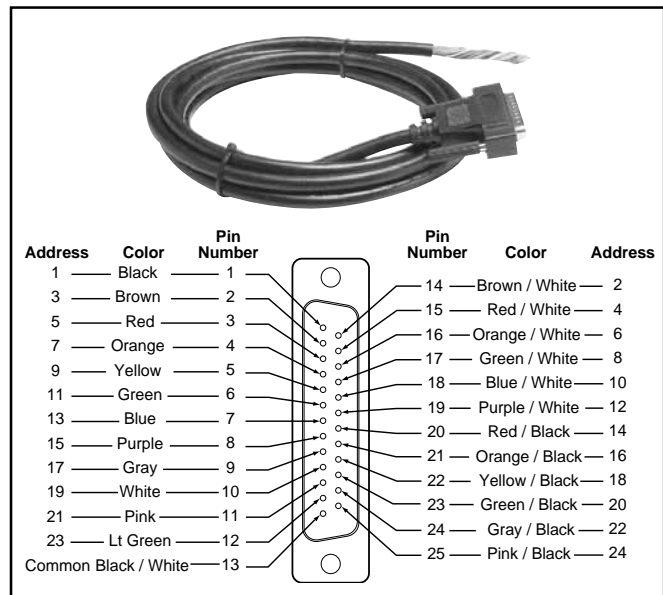
### AB Panel Connect Patch Cord Assemblies:

Patch Cord good for 24VDC & 120VAC

For availability & Specs, contact an Allen-Bradley Distributor

Allen Bradley #889N-F12ACNU-2	2 Meter (Female to Male Cable)
Allen Bradley #889N-F12ACNU-3	3 Meter (Female to Male Cable)
Allen Bradley #889N-F12ACNU-5	5 Meter (Female to Male Cable)
Allen Bradley #889N-F12ACNU-10	10 Meter (Female to Male Cable)

## 25-Pin, D-Sub Cable (Female)

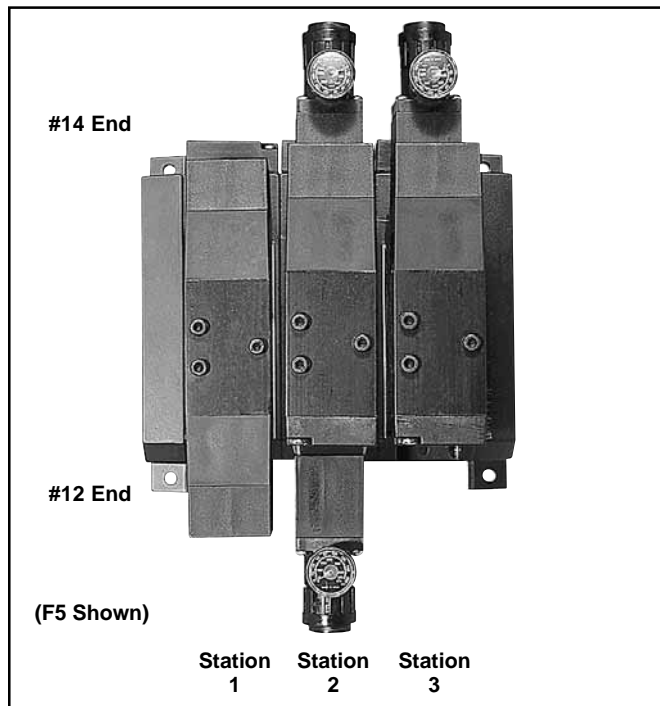


## 25-Pin, D-Sub Cable Specifications

Common Pin "13" is rated for 3 amps. Common wire rating must be greater than total amperage of all solenoids on a Add-A-Fold assembly.

*Example:* 12 station manifold, 24 solenoids, 24VDC - 24 x .095 amps = 2.28 total amp rating.

IP65 rated with properly assembled IP65 rated cable.



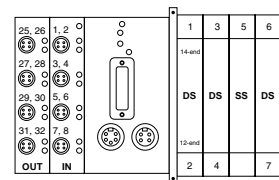
## How To Order Add-A-Fold Assemblies

1. List Add-A-Fold Assembly call out. This automatically includes the end plate kit assembly.
2. List complete valve/base model number. List left to right, **LOOKING AT THE CYLINDER PORTS** on the #12 end of the manifold. The left most station is station 1. (If a blank station is needed, list the blanking plate part number and the individual manifold number in the station specified.)

## I/O Addressing Examples

### Example 1: Single Addressed Valve Manifold with External Input and Output Module

- First output address the #14 end of the valve closest to the communicating module.
  - External output addresses begin from the highest address as shown.
  - Unused outputs will be leftover for future valve manifold section additions.
- First external input addresses being with the input module closest to the communications module as shown.

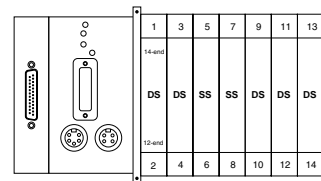


- Notes:**
- Outputs always grouped in sets of four (4)
  - SS = Single Solenoid valve
  - DS = Double Solenoid valve

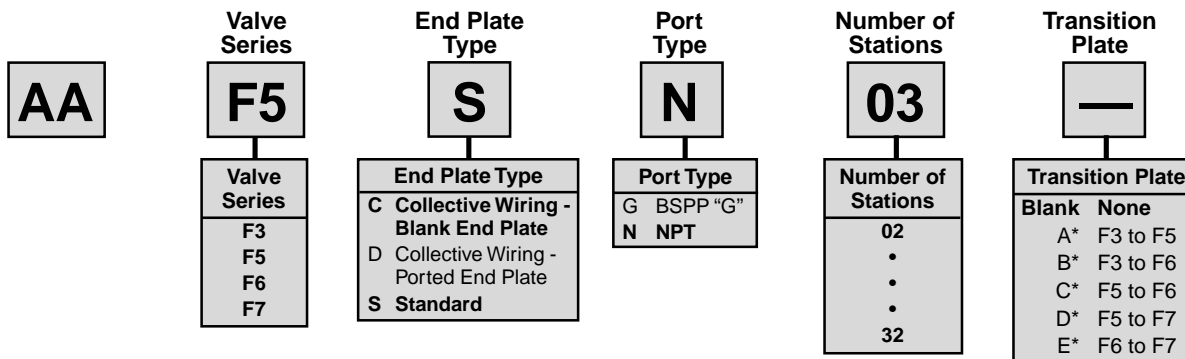
### Example 2: Double Addressed Valve Manifold with Single D-Sub, 25-Pin Modules

- First output address the #14 end of the valve closest to the communicating module.

- Notes:**
- Outputs always grouped in sets of four (4)
  - SS = Single Solenoid valve
  - DS = Double Solenoid valve



## Model Number



**Example:** Application requires a 3-station manifold and requires isolation between station 2 & 3 for all three main galleys.

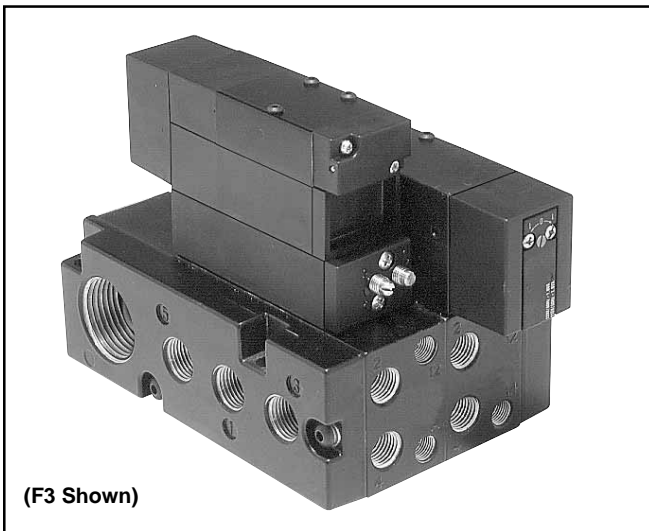
Item	Qty.	Part No.
001	1	AAF5SN03
002	1	F5563BGC23A ..... Station 1
003	1	F5163BGC23266A ..... Station 2
004	1	PS3532P ..... Galley 1,3,5 Isolation Between Station 2 & 3
005	1	F5163BGC23166A ..... Station 3

When ordering a Collective Wiring Add-A-Fold, list the appropriate wiring module after the AA number.  
 Example: AAF5CN04  
 SCD251MB  
 F5165BGM83A

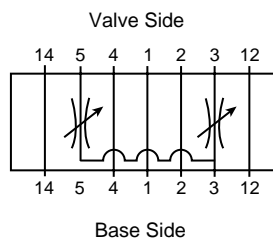
**NOTE: Shaded options have been discontinued. Refer to back of Catalog for Cross Reference Information.**

**Features**

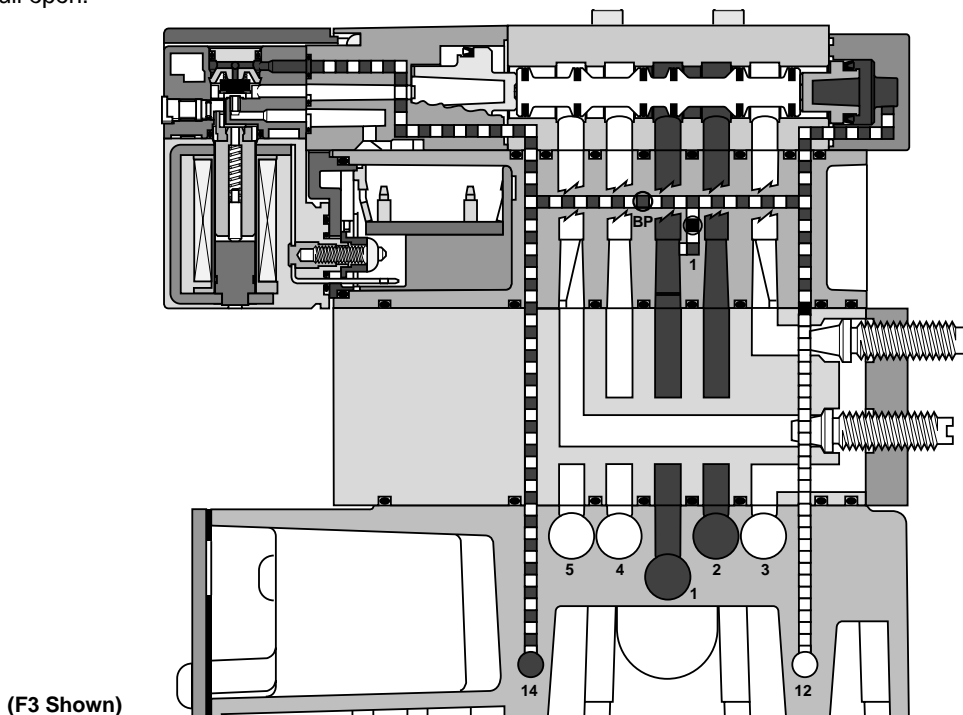
- Available with 4-Way, 2 or 3-Position valves on a subbase or manifold.
- Both adjustment screws are located on the 12 end of the unit.
- Sandwich Flow Control mounts with its own studs, which means the valve uses standard bolts for mounting.
- Sandwich Flow Control is not to be used as a shut off device and is not bubble tight when needles are fully turned down.



	F3	F5	F6	F7
Part No.	PS3435P	PS3535P	PS3635P	PS3735P
C <sub>v</sub> *	.50	1.10	1.90	3.80
Height	.97" (24,6mm)	1.30" (33,0mm)	1.30" (33,0mm)	1.89" (48,0mm)
Weight	.4 lbs.	.8 lbs.	1.13 lbs.	2.50 lbs.



\* C<sub>v</sub> calculated as average of all flow paths with adjustment screws full open.

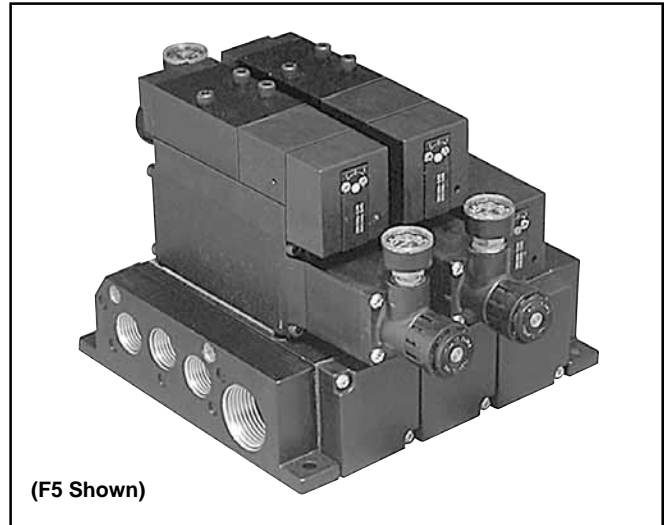


*A Sandwich Flow Control and Common Port Sandwich Regulator may be sandwiched together on a manifold or subbase. The Sandwich Flow Control MUST be located between the manifold/subbase and the Common Port Sandwich Regulator.*

**NOTE: Shaded options have been discontinued. Refer to back of Catalog for Cross Reference Information.**

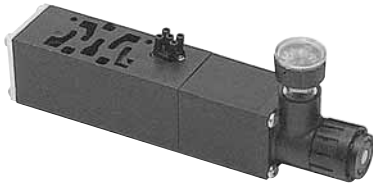
## Features

- Modular Sandwich for use with any "F" Series Valve.
- Manual Knob Adjustment that locks to prevent adjustment change during operation.
- Remote Air Pilot Operated for hard-to-reach pressure control.
- Unregulated Pilot Pressure to valve for consistent valve shifting regardless of pressure adjustment.



## Common Port Regulator

(F3 Shown)



## Independent Dual Port Regulator

(F5 Shown)



## Remote Air Pilot Regulator

(F3 Shown)



## Independent Single Port Regulator

(F6 Shown)



## Selector Regulator

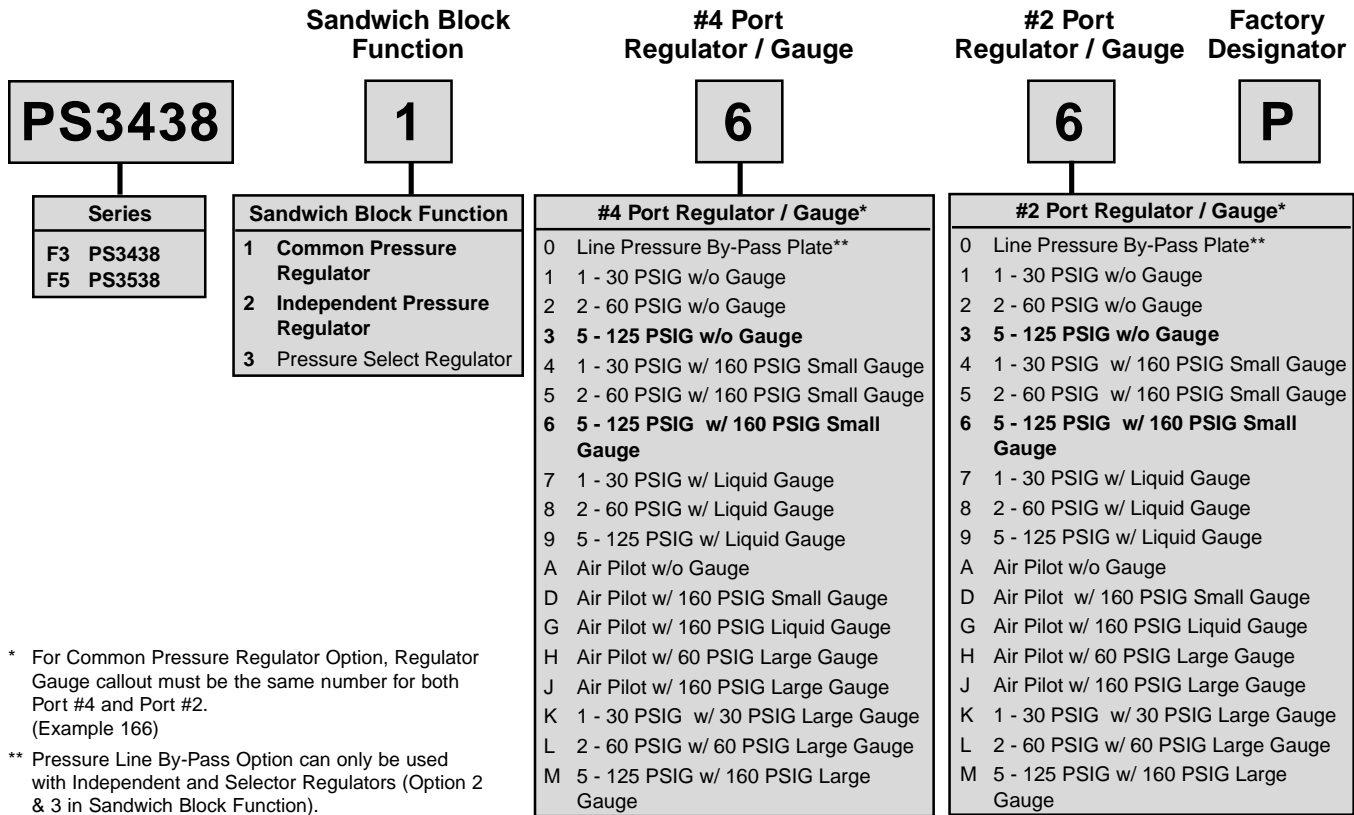
(F7 Shown)



**“F3” Valve**

**“F5” Valve**

**Sandwich Regulator Kit Ordering Code**



**How to configure Sandwich Regulator / Valve Combinations**

(Note Valve / Regulator / Base Diagrams on following pages for pictorial of details described below)

**Ordering Components Separately**

- Manifold or Subbase Kit required.
- Sandwich Regulator Kit configured for Internal Pilot as standard. (For details of pilot locations, see cutaways on page 88, 89 and 90.)
- Order valve as External Pilot - 12 (Pilot Source ‘P’) or Internal Pilot (Pilot Source ‘B’) with field converted to external pilot with removable plugs.

**Example:**

- |               |   |
|---------------|---|
| 1 PS351165CP  | Manifold Base                           |
| 1 PS3538166P  | Common Port Regulator                   |
| 1 F51VXPG019A | F5 Single Solenoid External Pilot Valve |

**Ordering Complete Valve / Regulator / Base**

- Single part number includes Valve, Regulator & Base.
- Must specify if the Complete Unit is Internal Pilot or External Pilot (99% of applications are Internal Pilot).

**Internal Pilot Configuration -**

Pressure in Base Port 1 feeds regulator configured for Internal Pilot which feeds valve configured for External Pilot - 12.

**Example:** F5165BGC19166A (Same example as the Ordering Components Separately example).

**External Pilot Configuration -**

An External Pilot pressure in Port 12 or 14 of the base feeds thru the Sandwich Regulator 12 or 14 galley directly to the 12/14 pilot of the valve. Choose Pilot Source ‘P’ for 12 port pilot and ‘L’ for 14 port pilot.

**Example:** F5165PGC19166A

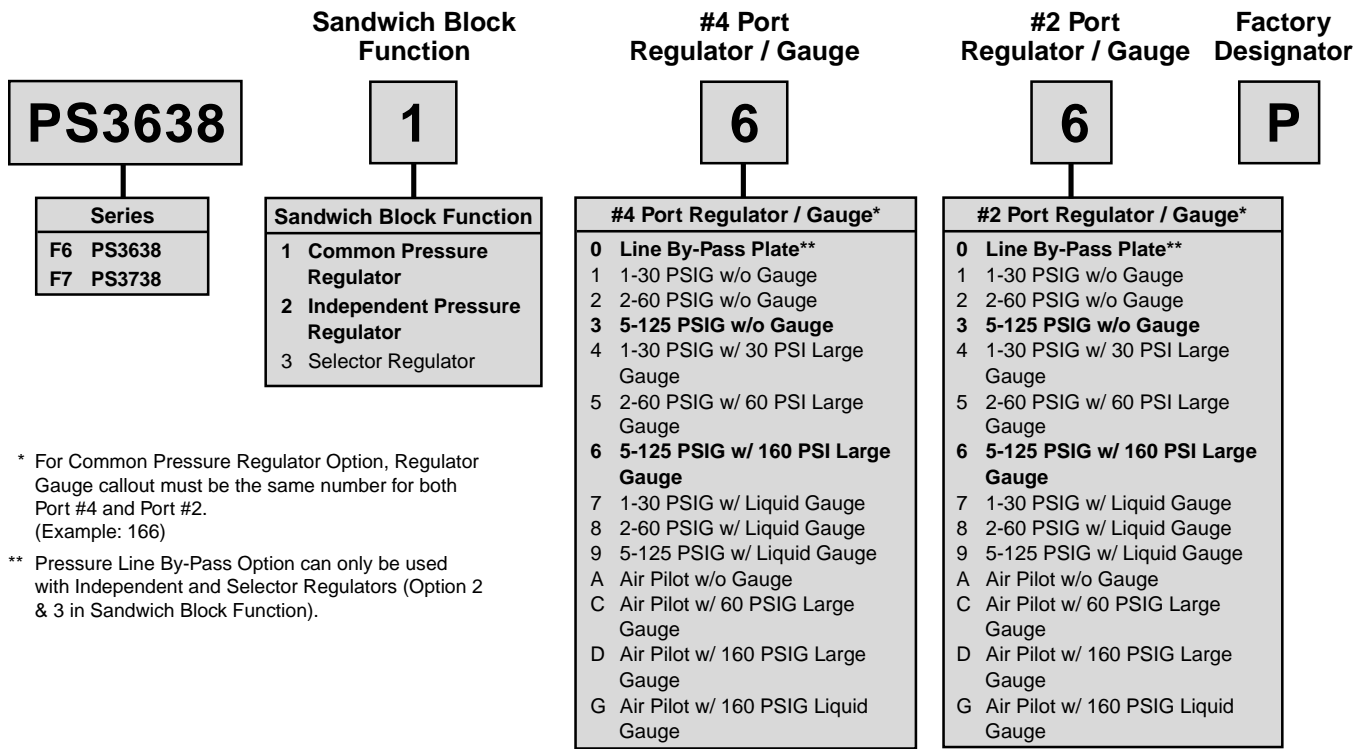
This configuration takes an External Pilot from the 12 port of the base and passes it thru the regulator to feed the 12 galley of the valve.

**NOTE: Shaded options have been discontinued. Refer to back of Catalog for Cross Reference Information.**

**"F6" Valve**

**"F7" Valve**

**Sandwich Regulator Kit Ordering Code**



**Cv Flow Chart\***

	Common Pressure 166				Single Pressure 2 - 206				Single Pressure 4 - 260				Dual Pressure 266			
	1-2	1-4	2-3	4-5	1-2	1-4	2-3	4-5*	1-2	1-4	2-3	4-5*	1-2	1-4	2-3	4-5*
<b>F3</b>	.42	.43	.59	.56	.43	.52	.50	.48	.53	.43	.50	.48	.43	.43	.50	.48
<b>F5</b>	.63	.61	1.26	1.11	.61	1.10	.87	.86	1.19	.59	.87	.86	.61	.59	.87	.86
<b>F6</b>	2.04	1.97	2.92	2.81	2.33	2.64	2.37	2.37	2.64	2.37	2.37	2.37	2.33	2.37	2.37	2.37
<b>F7</b>	3.10	2.74	5.12	4.99	2.74	3.30	3.85	3.98	3.23	2.77	3.85	3.98	2.74	2.77	3.85	3.98

\*Regulator Port exhaust through Base Port 3.

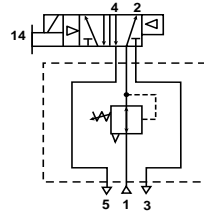
Note: All Cv's calculated with regulator adjusted full open.

**NOTE: Shaded options have been discontinued. Refer to back of Catalog for Cross Reference Information.**

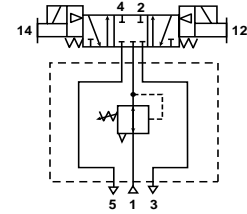
## Common Port Regulation

Provides adjustable regulated air pressure to the valve's #1 port which gives the same pressure to both the #2 and #4 port of the manifold or subbase. The regulator is always on the 14 end of the valve.

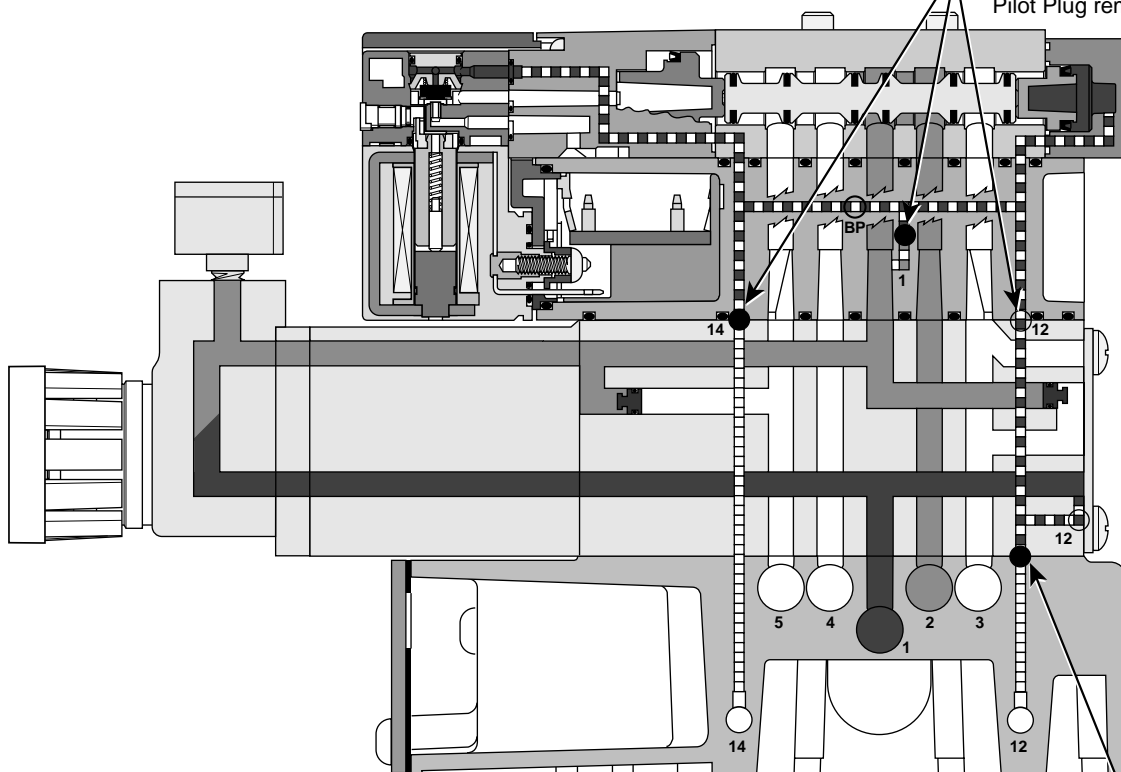
Common Port Regulator with  
 4-Way, 2-Position  
 Single Solenoid Valve



Common Port Regulator with  
 4-Way, 3-Position APB Valve



## Common Port Regulator - Internal Pilot F3 Shown



Valve configured for External Pilot.  
 Pilot Plug moved from #12 Pilot Hole  
 to #1 Pilot Hole.  
 Pilot Plug remains in #14 Pilot Hole.

Sandwich Regulator has standard  
 configuration of Internal Pilot with  
 the Pilot Plug in the bottom #12  
 Pilot Hole which prevents line  
 pressure from escaping through  
 the manifold.

**Example:** Ordering Components separately.

- 1 PS341112AP Subbase
- 1 PS3438166P Common Port Regulator
- 1 F31VXPG019A F3 - Ext Pilot 12

**Example:** Ordering Complete Valve/Regulator/Base.

- 1 F3112BGA19166A Complete Valve Slice

## Independent Port Regulation

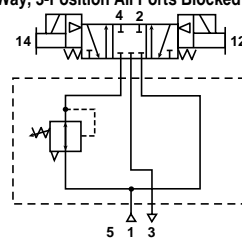
### Single Port Regulation

Provides regulated pressure to one of the ports and full line pressure to the other by use of the Line Pressure By-Pass Plate. Pressure regulation can occur out of the #2 or #4 port of the valve.

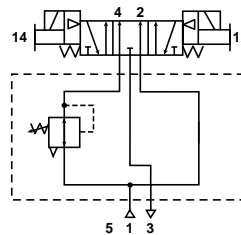
### Dual Port Regulation

Provides independent regulated pressure to the #2 and #4 ports of the manifold or subbase.

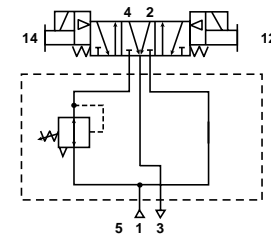
Independent Port Regulator with 4-Way, 3-Position All Ports Blocked Valve



Independent Port Regulator with 4-Way, 3-Position, Inlet to Cylinder Function



Independent Port Regulator with 4-Way, 3-Position, Cylinder to Exhaust Function

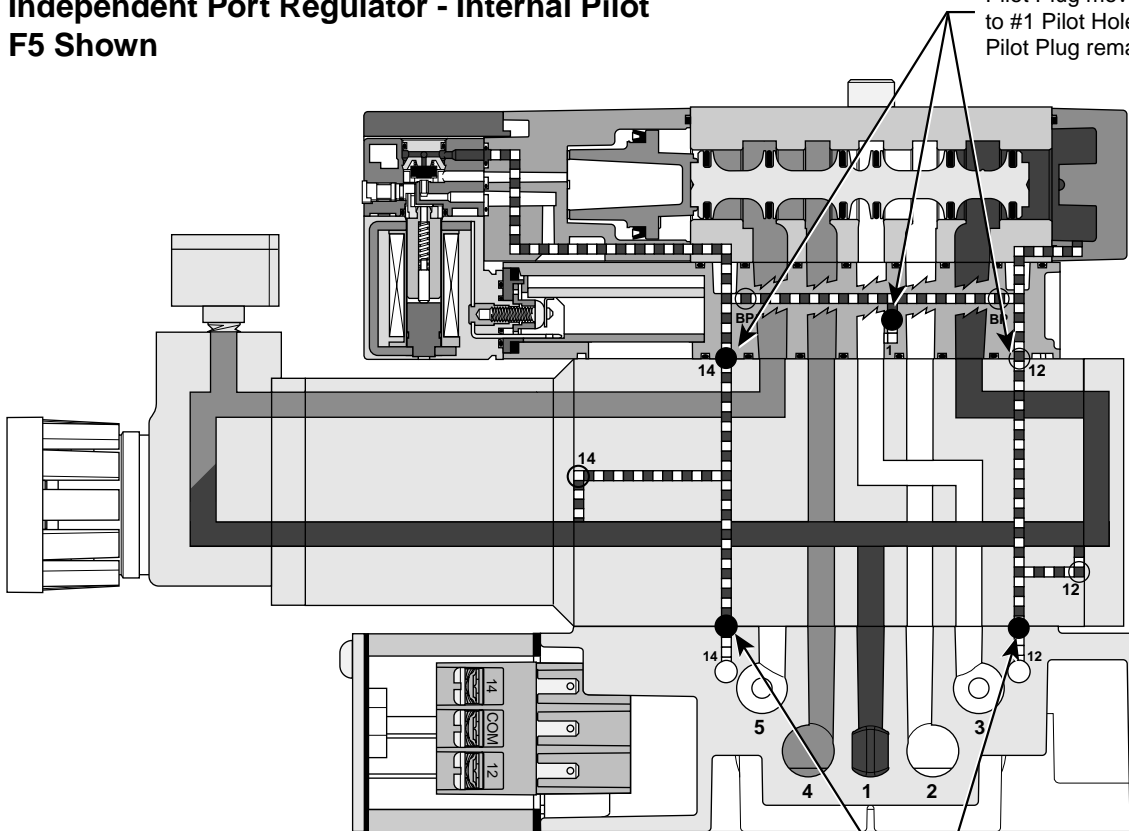


⚠ CAUTION: Requires 4-Way, 3-Position, Cylinder to Exhaust Valve

⚠ CAUTION: Requires 4-Way, 3-Position, Inlet to Cylinder Valve

*When using an Independent Port Sandwich Regulator, the cylinder outlet ports are reversed. The 12 end energizes the #4 port and the 14 end energizes the #2 port. The 3-Position CE and PC functions are also reversed. (See schematics on right.)*

### Independent Port Regulator - Internal Pilot F5 Shown



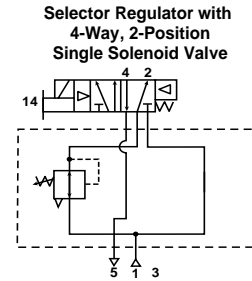
Valve configured for External Pilot.  
 Pilot Plug moved from #12 Pilot Hole to #14 Pilot Hole.  
 Pilot Plug remains in #14 Pilot Hole.

Sandwich Regulator has standard configuration of Internal Pilot with the Pilot Plug in the bottom #12 and #14 Pilot Hole which prevents line pressure from escaping through the manifold.



## Selector Regulation

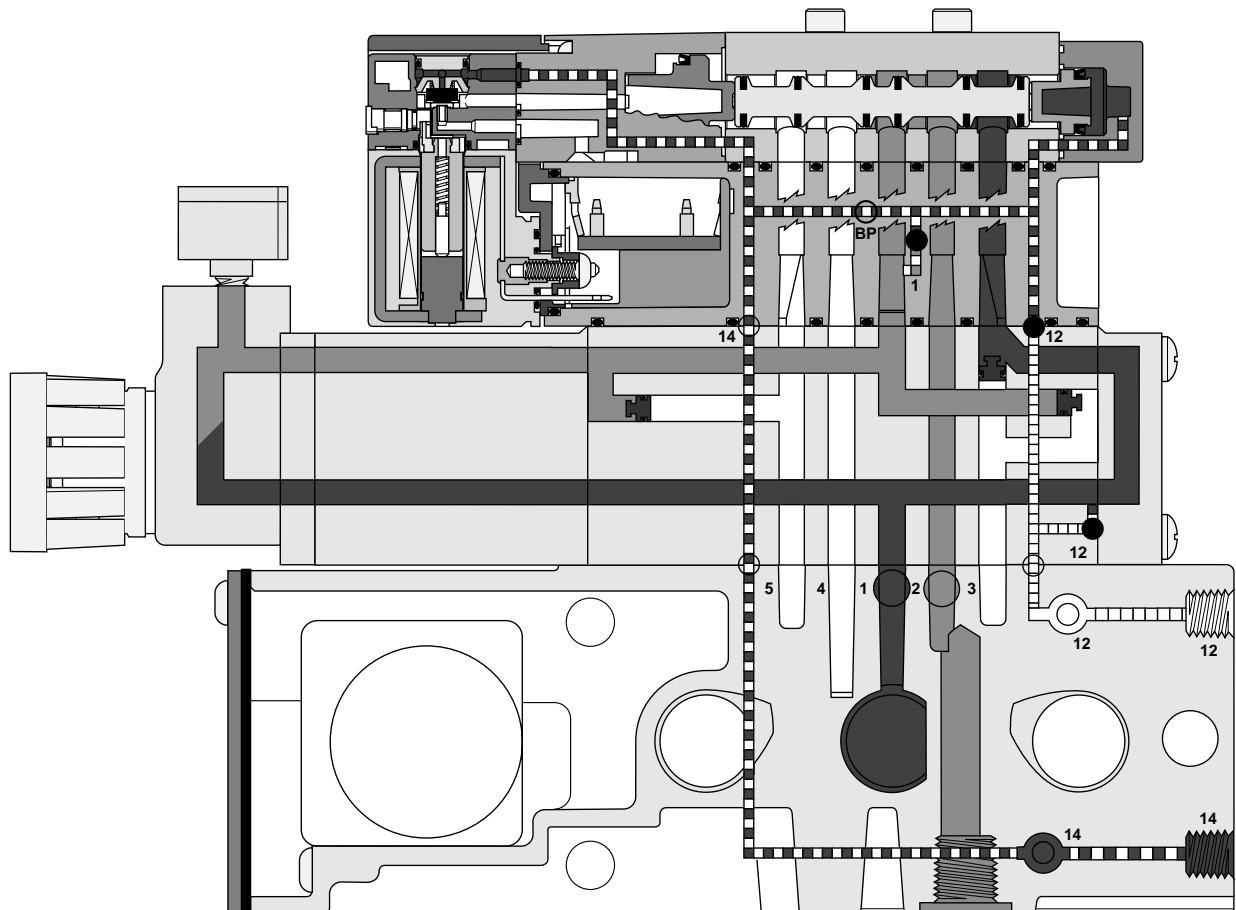
Supplies two different pressures to the valve's #1 and #3 flow paths. Shifting the valve "selects" one or the other of these two pressures to flow out port #2. A Selector Regulator can 1) Provide regulated pressure to one flow path and full line pressure to the other by use of the Line Pressure By-Pass Plate or 2) Provide regulated pressure to each of the flow paths. (Note: Port #4 is pressurized with air from #1 flow path when 14 end is energized. In many applications, port #4 in the manifold or subbase needs to be plugged.)



### Application

- Use one valve station with Selector Regulator and Auxiliary Inlet / Outlet Manifold to feed pressure to #1 galley of next valve station with Auxiliary Inlet / Outlet Manifold and 2-Position valve. (Control speed and torque of air motors, tip pressures of welding guns.)
- Multiple pressure control of vacuum / blow-off system using Selector Regulator on manifold or subbase.

### Selector Regulator - External Pilot F3 Shown



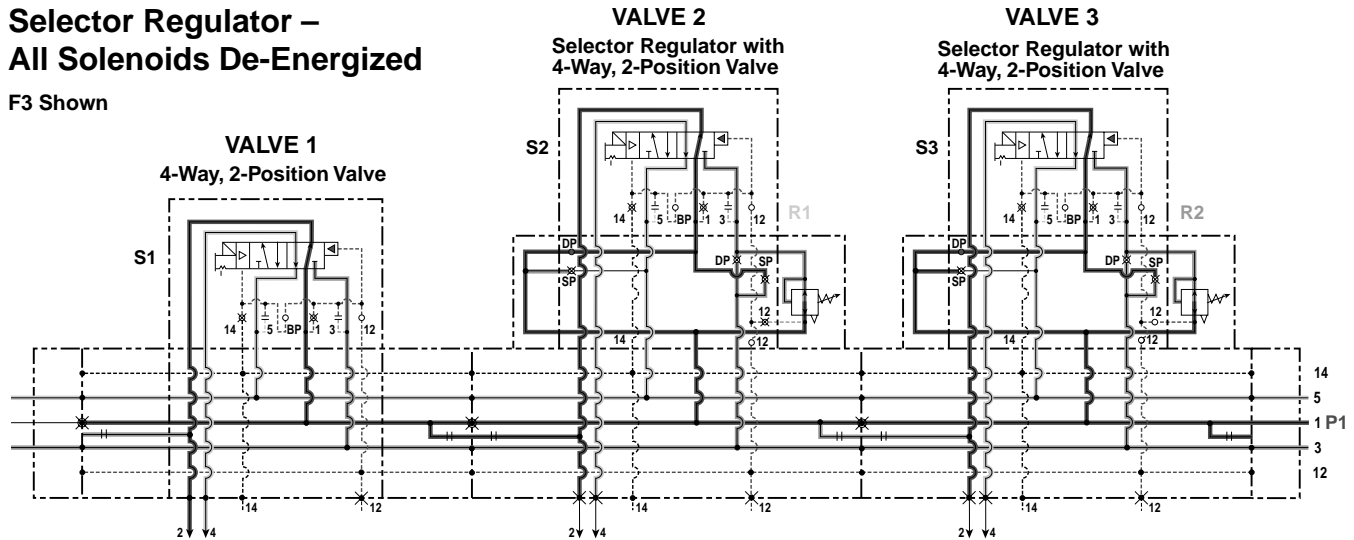
## Pilot Pressure with Selector Regulator

Valves being supplied from selector regulators (Valves 2 & 3 below), could have regulated pressure below the minimum operating pressures, and as such should have external pilot supplies. This can be accomplished

by allowing the unregulated pilot pressure from the first selector regulator (Valve 3 below) to feed the common 12 port. This is accomplished by removing the pilot plug from the bottom of the first selector regulator (Valve 3 below). Valves 1 & 2 would be specified for pilot supply "P". Valve 3 should specify pilot supply "B" and be modified in the field.

### Selector Regulator – All Solenoids De-Energized

F3 Shown



#### F3 Valve System

The chart shows the multiple outputs achieved with a two selector regulator system. This system selects three different pressures - P1, R1, R2 - through Valve #1. Energizing Valve 2 & Valve 3 simultaneously (designated by "?") allows R2 to feed R1, which may produce a different output pressure than P1 feeding R1.

Solenoid			Valve 1	
S1	S2	S3	Port 4	Port 2
Off	Off	Off	Exh	P1
On	Off	Off	P1	Exh
Off	On	Off	Exh	R1
On	On	Off	R1	Exh
Off	Off	On	Exh	R2
On	Off	On	R2	Exh
Off	On	On	Exh	?
On	On	On	?	Exh

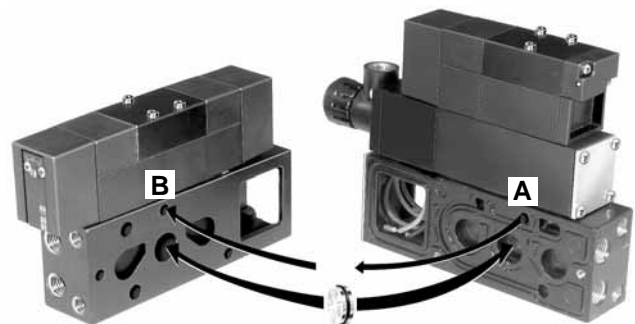
#### F5 Valve System

Schematic and picture shown are for the F3 Valve. The F5 Valve is opposite, meaning pressure is fed LEFT to RIGHT.

The Selector Regulator Manifold System requires the use of Auxiliary Inlet/Outlet manifolds, which only feeds pressure from right to left (F3) or left to right (F5). Selected pressure exits port #2 (A) and feeds port #1 (B) of the adjacent manifold to the left. A Main Galley Isolator Plug must be used to prevent the P1 pressure into Valve #3 from accessing Valve #2.

#### F6 Valve System

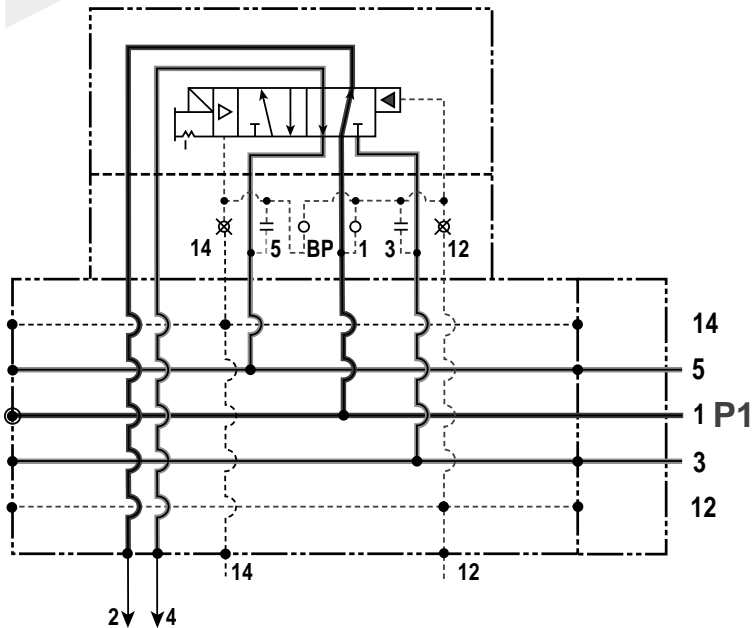
The F6 & F7 is offered with Selector Regulator. For the function described, use Bottom / Side Ported Manifolds and connect Port #2 of one station to Bottom Port #1 of the next station with tube or hose connections. The system may be operated left to right or right to left.



**Main Galley Isolator Plug**  
 (Included in Auxiliary In / Out Manifolds)

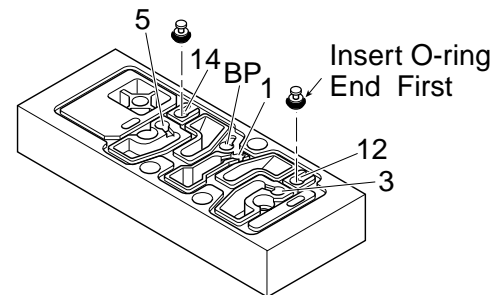
# Valve Piloting Configurations

## F3



Model Code Digits 3 and 6		Pilot Supply Holes					
Operator/ Function	Pilot Source	1	3	5	BP	12	14
1, E, 2, 5, 6, 7	B		M	M		X	X
	E	X		X		X	X
	L	X	M	M		X	
	P	X	M	M			X
3 or F	0		M	M	X	X	
	E	X		X	X	X	
	P	X	M	M	X		
4, 8, 9, 0	0	X	M	M	X		

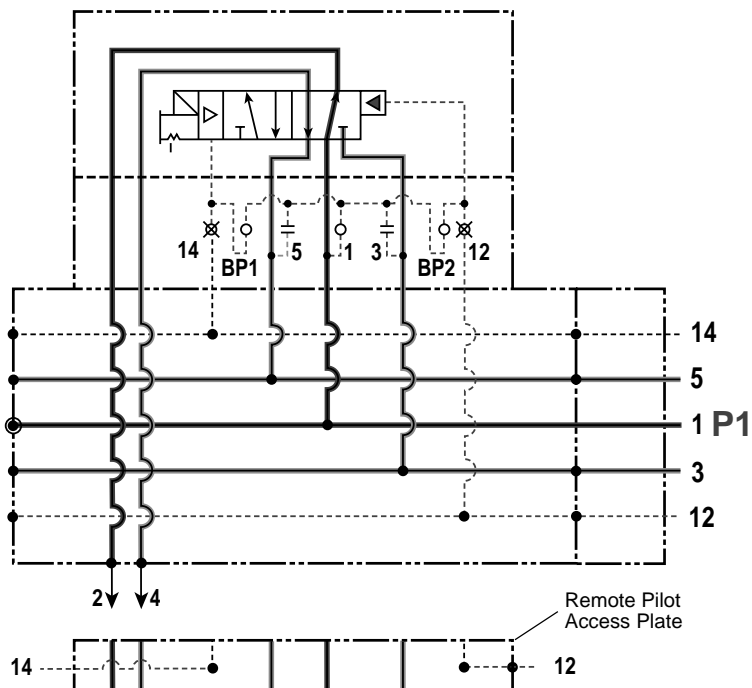
Key Code: X = Pilot hole must be plugged.  
 Blank = Pilot hole must be left open.  
 M = Pilot hole molded shut.



## F5

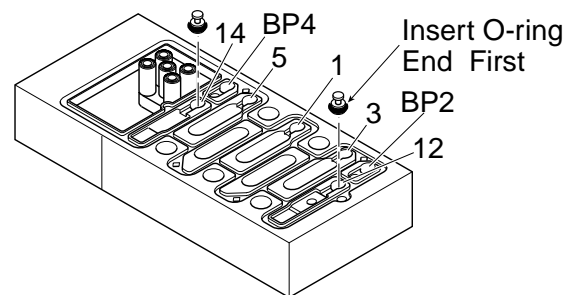
## F6

## F7



Model Code Digits 3 and 6		Pilot Supply Holes						
Operator/ Function	Pilot Source	1	3	5	BP4	BP2	12	14
1, E, 2, 5, 6, 7	B		M	M			X	X
	E	X		X			X	X
	L	X	M	M			X	
	P	X	M	M				X
3 or F	0		M	M	X		X	
	E	X		X	X		X	
	P	X	M	M	X			
4, 8, 9, 0	0	X	M	M	X	X		

Key Code: X = Pilot hole must be plugged.  
 Blank = Pilot hole must be left open.  
 M = Pilot hole molded shut.



### Pilot Pressure Source

The "F" series offers the ability of converting from one pilot supply source to another. If properly ordered for a specific application, no conversion is necessary. There may be instances, however, when the use of this flexibility becomes necessary.

## Flow Rating (C<sub>v</sub>)

Size	Port Size	Mounting Style	2-Position	3-Position
F3	1/4" Ports	Subbase	.75	.60
	1/4" Ports	Manifold	.70	.55
F5	3/8" Ports	Subbase	1.45	1.35
	3/8" Ports	Manifold	1.55	1.45
F6	1/2" Ports	Subbase	3.60	3.10
	1/2" Ports	Manifold	3.60	3.10
F7	3/4" Ports	Subbase	6.60	6.30
	3/4" Ports	Manifold	6.60	6.30

Cv tested per ANSI / (NFPA) T3.21.3

## Temperature Rating

5°F to 120°F (-15°C to 49°C) ambient.

## Response Time\*\*

Valve Size	Port Size	0 Cu. In. Chamber		## Cu. In. Chamber	
		Fill	Exhaust	Fill	Exhaust
<b>Single Solenoid 2-Position - Air Return /Spring Assist</b>					
F3	1/4"	.027	.030	.146	.235
F5	3/8"	.040	.042	.164	.258
F6	1/2"	.056	.058	.137	.203
F7	3/4"	.091	.095	.185	.252

## F3 (25), F5 (50), F6 (100), F7 (200)

\*\* With 100 PSIG supply, time required to fill from 0 to 90 PSIG and Exhaust from 100 PSIG to 10 PSIG measured from the instant of energizing or de-energizing 24VDC solenoid.

Tested per ANSI / (NFPA) T3.21.8

## Solenoid Information

Code	Voltage			Power (W / VA)	Inrush (mA)	Holding (mA)	Dropout (V)	Resistance (ohm)
	AC		DC					
	60Hz	50Hz						
12	24	24	—	2.3VA	147	97	16	121
15	—	—	12	1.9W	—	160	9	75
19	—	—	24	2.3W	—	94	3.9	270
23	120	110	—	3.8VA	44	32	41	2.5
83	120	110	—	3.2VA	38	27	61	2.7
87	240	230	—	1.8VA	12	7	88	16

Data tested with LED and Surge Suppression.

## Operating Pressure

Maximum: 145 PSIG (1000 kPa)

Minimum:

Operator/Function	Internal Pilot	Min. PSIG (kPa) F3 / F5	Min. PSIG (kPa) F6 / F7
1	Single Solenoid - 2-Pos	20 (138)	30 (207)
2	Double Solenoid - 2-Pos		
3	Single Remote Pilot - 2-Pos	Vacuum	Vacuum
4	Double Remote Pilot - 2-Pos		
5, 6, 7	Double Solenoid - 3-Pos APB, CE, PC	30 (207)	45 (310)
8, 9, 0	Double Remote Pilot - 3-Pos APB, CE, PC	Vacuum	Vacuum
E	Single Solenoid Pilot - 2-Pos Air Return / Spring Assist	35 (241)	45 (310)
F	Single Remote Pilot - 2-Pos Air Return / Spring Assist		
<b>External Pilot *</b>			
All	"F" Series	Vacuum	Vacuum

\* External Pilot Pressure / Remote Pilot Signal - 45-145 PSIG (310-1000 kPa).

## CSA / NRTL-C

F3 - Standard

F5 - Standard

F6 - Standard

F7 - Standard

## Body Service Kits

	2-Position	3-Position			Kit Includes:
		APB	CE	PC	
<b>F3</b>	PS3401P	PS3402P	PS3403P	PS3404P	Spool assembly with seals, all piston seals, return & operator adaptor seals, solenoid seals, valve to base gasket, grease packet.
<b>F5</b>	PS3501P	PS3502P	PS3503P	PS3504P	
<b>F6</b>	PS3601P	PS3602P	PS3603P	PS3604P	
<b>F7</b>	PS3701P	PS3702P	PS3703P	PS3704P	

## Solenoid Kits

	Voltage Code	Voltage
PS3541*42P	12/42	24VAC
PS3541*45P	15/45	12VDC
PS3541*49P	19/49	24VDC
PS3541*53P	23/53/83	120VAC
PS3441*57P	57/87	240VAC

Key Code: B = Flush, Non-Locking  
 C = Flush, Locking  
 D = Extended, Non-Locking  
 E = Extended, Locking

**Kit includes:** Solenoid with 2 Screws, Solenoid and Adaptor Seals, Grease Packet.

## Pilot Plug Kit

	Kit Number
Valve Plugs - F3, F5, F6, F7 Qty 20	PS3509P
Sandwich Reg. Plugs - F3, F5 Qty 20	PS3509P
Sandwich Reg. Plugs - F6, F7 Qty 20	PS3609P

## Manifold Hardware Kits

	Kit Number
<b>F3</b> 12 Tie Rods	PS3412BP
<b>F5</b> 12 Tie Rods	PS3512BP
<b>F6</b> <b>F7</b> Bolts-4 sets of 3	PS3612P

## Manifold to Manifold Gasket Kits

	Kit Number
<b>F3</b> Qty. 1	PS3413BP
<b>F5</b> Qty. 1	PS3513BP
<b>F6</b> Qty. 1	PS3613P
<b>F7</b> Qty. 1	PS3713P

## Regulator Kits

	Kit Number
<b>F3</b> <b>F5</b>	PS3439P
<b>F6</b> <b>F7</b>	PS3639P

## Regulator Spring Range Kits

	F3	F5	F6	F7
30 PSIG	PS3450030P		P04427	
60 PSIG	PS3450060P		P04426	
125 PSIG	PS3450125P		P04425	

## Regulator Gauge Kits

	Kit Number
<b>Standard</b> 3/4" Face Air	0-160 PSIG PS3451160P
<b>Large*</b> 1-1/2" Face Air	0-30 PSIG PS3553030P
	0-60 PSIG PS3553060P
	0-160 PSIG PS3553160P
<b>Liquid*</b> 1-1/2" Face	0-160 PSIG PS3452160P

\* Includes brass pipe fitting extensions

## Regulator Conversion Kits

	Manual Bonnet Assembly (w/o Spring)	Independent to Common Blank Plate	Air Pilot Bonnet Assembly	Independent By-Pass Plate
<b>F3</b>	PS3445P	PS3446P	PS3447P	PS3448P
<b>F5</b>				PS3548P
<b>F6</b>	PS3645P	N/A	PS3647P	PS3648P
<b>F7</b>				

## Regulator & Flow Control Mounting Studs

	F3	F5	F6	F7
Flow Control Qty. 12	PS3436P	PS3536P	PS3636P	PS3736P
Regulator Qty. 12	PS3440P	PS3540P	PS3640P	PS3740P

## Flush Pipe Plug Kits\*

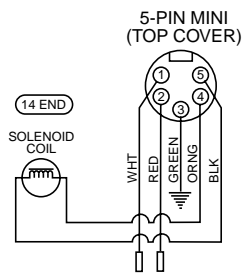
	NPT	BSPT†
1/8 Inch	PS3468P	PS3469P
1/4 Inch	PS3470P	PS3471P
3/8 Inch	PS3570P	PS3571P
1/2 Inch	PS3670P	PS3671P
3/4 Inch	PS3770P	PS3771P

\* Must be ordered in Qtls. of 10. † For use with BSPP "G" Threads.

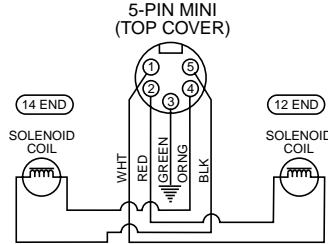
## Automotive Connection – Wiring Options

### 'C' Chrysler Wiring

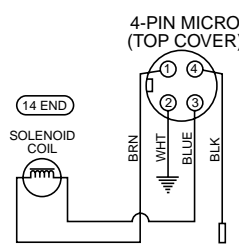
**5-Pin Male / Single Solenoid**  
 (Encl. Option 9 & Auto Option C)



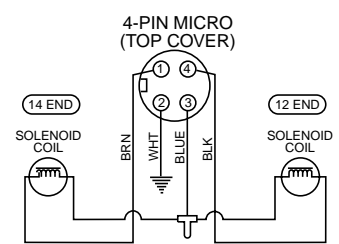
**5-Pin Male / Double Solenoid**  
 (Encl. Option 9 & Auto Option C)



**4-Pin Male / Single Solenoid**  
 (Encl. Option 8 & Auto Option C)

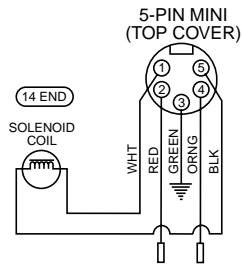


**4-Pin Male / Double Solenoid**  
 (Encl. Option 8 & Auto Option C)

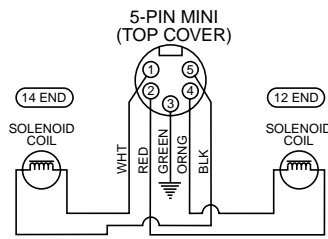


### 'F' SAE / Ford Wiring

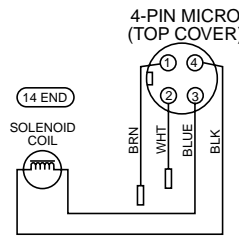
**5-Pin Male / Single Solenoid**  
 (Encl. Option 9 & Auto Option F)



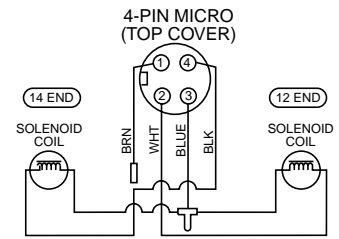
**5-Pin Male / Double Solenoid**  
 (Encl. Option 9 & Auto Option F)



**4-Pin Male / Single Solenoid**  
 (Encl. Option 8 & Auto Option F)

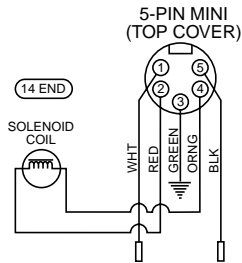


**4-Pin Male / Double Solenoid**  
 (Encl. Option 8 & Auto Option F)

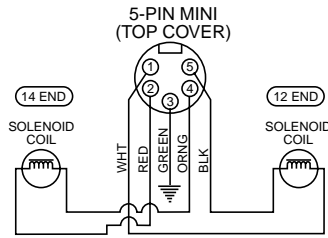


### 'G' GM Wiring

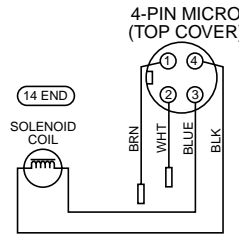
**5-Pin Male / Single Solenoid**  
 (Encl. Option 9 & Auto Option G)



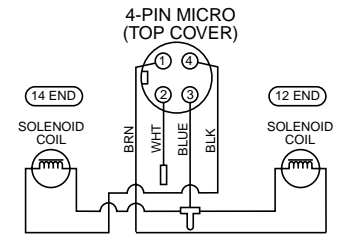
**5-Pin Male / Double Solenoid**  
 (Encl. Option 9 & Auto Option G)



**4-Pin Male / Single Solenoid**  
 (Encl. Option 8 & Auto Option G)



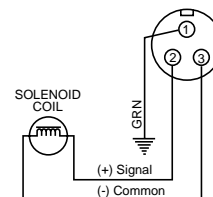
**4-Pin Male / Double Solenoid**  
 (Encl. Option 8 & Auto Option G)



## Automotive Connection Thread Type

- 5-Pin Mini Connector - 7/8 UNF thread
- 4-Pin Micro Connector - M12 thread
- 3-Pin Mini Connector - 7/8 UNF Thread

**3-Pin Male / Single Solenoid**  
 (Encl. Option 7, Auto Option C, F & G)



# H Series

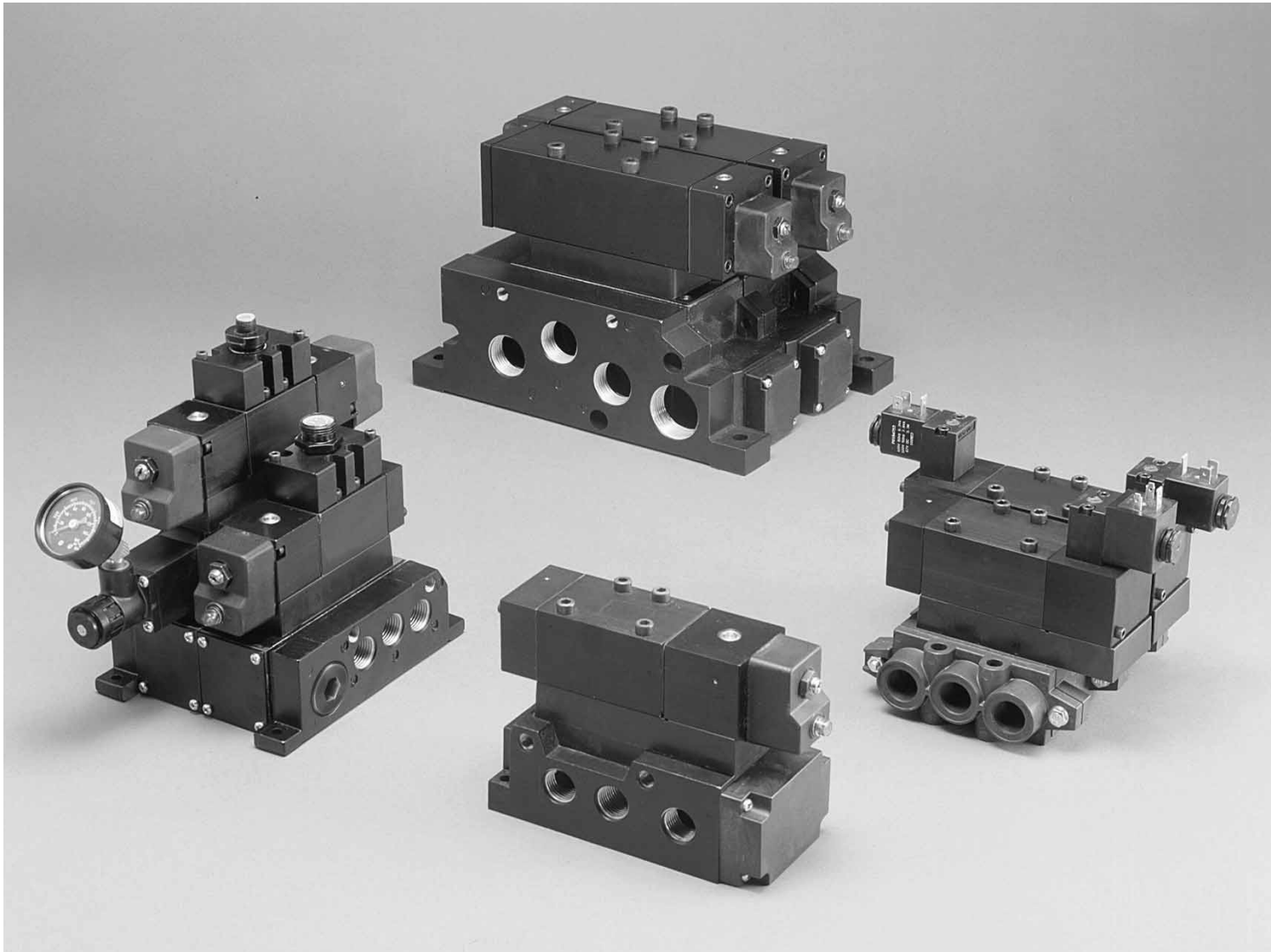
*Air Control Valves*

*H 'A' Series ISO*

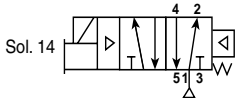
*5599-2 (Size 1, 2, 3 & 4)*

*5599-1 (Size 1, 2, 3 & 4)*

*Catalog 0632-4/USA*



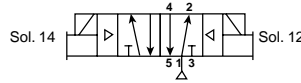
**Single Solenoid**  
**2-Position**



<b>H1</b>	<b>H1EVXBG023A</b> <b>H1EVXBG0B9A</b>	120VAC 24VDC	1.4 Cv
<b>H2</b>	<b>H2EVXBG023A</b> <b>H2EVXBG0B9A</b>	120VAC 24VDC	2.7 Cv
<b>H3</b>	<b>H3EVXBG023A</b> <b>H3EVXBG0B9A</b>	120VAC 24VDC	4.7 Cv

NLMOR, Lighted/Surge Suppression, Internal Pilot,  
 Valve Less Base

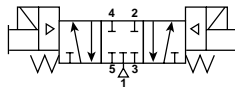
**Double Solenoid**  
**2-Position**



<b>H1</b>	<b>H12VXBG023A</b> <b>H12VXBG0B9A</b>	120VAC 24VDC	1.4 Cv
<b>H2</b>	<b>H22VXBG023A</b> <b>H22VXBG0B9A</b>	120VAC 24VDC	2.7 Cv
<b>H3</b>	<b>H32VXBG023A</b> <b>H32VXBG0B9A</b>	120VAC 24VDC	4.7 Cv

NLMOR, Lighted/Surge Suppression, Internal Pilot,  
 Valve Less Base

**Double Solenoid**  
**3-Position APB**



**APB**  
 Operator/Function Style 5

<b>H1</b>	<b>H15VXBG023A</b> <b>H15VXBG0B9A</b>	120VAC 24VDC	1.3 Cv
<b>H2</b>	<b>H25VXBG023A</b> <b>H25VXBG0B9A</b>	120VAC 24VDC	2.6 Cv
<b>H3</b>	<b>H35VXBG023A</b> <b>H35VXBG0B9A</b>	120VAC 24VDC	4.2 Cv

NLMOR, Lighted/Surge Suppression, Internal Pilot,  
 Valve Less Base

	Manifold Kits				End Plate Kits		Subbase Kits	
	End Port	Cyl. Ports	End and Bottom Port	Cyl. Ports		1, 3, 5 Ports	Side Ports	All Ports
<b>H1</b>	—	—	PS401165CP	3/8"	PS353100BP	1/2"	PS401115AP	3/8"
<b>H2</b>	PS411157CP	1/2"	PS411167CP	1/2"	PS363100P	3/4"	PS411117AP	1/2"
<b>H3</b>	PS421159CP	3/4"	PS421169CP	3/4"	PS373100P	1"	PS421119AP	3/4"

All ports are standard NPT.

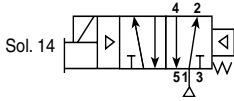


**BOLD OPTIONS ARE STANDARD**

Basic Series	Operator/Function	Mounting/Base Style	Port Size/Thread Type	Pilot Source/Pilot Exhaust	Overrides/Lights	Enclosure/Lead Length	Voltage & Frequency	Options	Automotive Wiring Options	Engineering Level																																									
<b>H2</b>	<b>1</b>	<b>1</b>	<b>7</b>	<b>B</b>	<b>G</b>	<b>C</b>	<b>23</b>	<b>---</b>	<b>-</b>	<b>A</b>																																									
<b>Basic Series</b> H1 ISO 5599-2 Size 1 H2 ISO 5599-2 Size 2 H3 ISO 5599-2 Size 3	<b>Operator / Function</b> 1* <b>Single Solenoid, 2-Position - Air Return</b> 2 <b>Double Solenoid, 2-Position</b> 3* Single Remote Pilot, 2-Position - Air Return 4 Double Remote Pilot, 2-Position 5 <b>Double Solenoid, 3-Position - APB</b> 6 Double Solenoid, 3-Position - CE 7 Double Solenoid, 3-Position - PC 8 Double Remote Pilot, 3-Position - APB 9 Double Remote Pilot, 3-Position - CE 0 Double Remote Pilot, 3-Position - PC E <b>Single Solenoid, 2-Position - Air Return / Spring Assist</b> F Single Remote Pilot, 2-Position - Air Return / Spring Assist	<b>Mounting / Base Style</b> 1 <b>Subbase, Side Ports</b> 2 Subbase, Bottom / Side Ports 5* <b>Manifold, End Ports</b> 6 <b>Manifold, Bottom / End Ports</b> 8** Manifold Aux In / Out Bottom / End Ports V <b>Valve Less Base: 5599-2</b> * N/A with H1 Valve ** N/A with H2/H3	<b>Port Size / Thread Type</b> 3 <b>1/4" NPT, H1</b> 4 1/4" BSPP "G", H1 5 <b>3/8" NPT, H1 &amp; H2</b> 6 3/8" BSPP "G", H1 & H2 7 <b>1/2" NPT, H2 &amp; H3</b> 8 1/2" BSPP "G", H2 & H3 9 <b>3/4" NPT, H3</b> 0 3/4" BSPP "G", H3 X <b>Valve Less Base</b>	<b>Pilot Source / Pilot Exhaust</b> 0 None, Remote Pilot Valve B <b>Internal, Port #1 / Vented &amp; Single Remote Pilot</b> L External, Pilot Port #12 / Vented P External, Pilot Port #14 / Vented  <b>Overrides / Lights</b> 0 None, Remote Pilot Valve B Flush, Non-Locking C Flush, Locking G* <b>Flush, Non-Locking / Lighted</b> H* Flush, Locking / Lighted * Only available with voltage codes B9, 23, 49, and 53.	<b>Enclosure / Lead Length</b> 0 None, Remote Pilot Valve or Valve Less Base 7** 3-Pin Mini Connector in Base 8*** 4-Pin M12 Micro Connector in Base 9† 5-Pin Mini Connector in Base A 6" Leads B 72" Leads C <b>Terminal Block</b> T** SAM Gen 3.0 Wiring W 144" Leads * Operator / Function "1" or "E" Only. ** Voltage Code "B9" Only. † Must specify Auto Wiring Option "C", "F", or "G". Note: ALL Electrical Enclosures can be coded with Auto Wiring Option 'W' - Exhaust Diffuser.	<b>Voltage &amp; Frequency</b> <table border="1"> <thead> <tr> <th rowspan="2">Code</th> <th colspan="2">AC</th> <th rowspan="2">DC</th> </tr> <tr> <th>60Hz</th> <th>50Hz</th> </tr> </thead> <tbody> <tr> <td>B9*</td> <td></td> <td></td> <td>24</td> </tr> <tr> <td>23**</td> <td>120</td> <td>110</td> <td></td> </tr> <tr> <td>42</td> <td>24</td> <td></td> <td></td> </tr> <tr> <td>45</td> <td></td> <td></td> <td>12</td> </tr> <tr> <td>49</td> <td></td> <td></td> <td>24</td> </tr> <tr> <td>53</td> <td>120</td> <td>110</td> <td></td> </tr> <tr> <td>57</td> <td>240</td> <td></td> <td></td> </tr> <tr> <td>83**</td> <td colspan="3">Use "23" Code</td> </tr> <tr> <td>XX</td> <td colspan="3">Remote Pilot</td> </tr> </tbody> </table> * Low watt coil with surge suppression. ** MOV for surge suppression.	Code	AC		DC	60Hz	50Hz	B9*			24	23**	120	110		42	24			45			12	49			24	53	120	110		57	240			83**	Use "23" Code			XX	Remote Pilot			<b>Options</b> - <b>None</b> 000 Use for No Options with Automotive Wiring "C", "F", "G" or "W" 001 Sandwich Flow Control 166 Common Port Regulator, 0-160 PSIG Gauge 206 Single Port Regulator - Port #2, 0-160 PSIG Gauge 260 Single Port Regulator - Port #4, 0-160 PSIG Gauge 266 Dual Port Regulator - Port #2 & #4, 0-160 PSIG Gauge 466 Sandwich Flow Control & Common Port Regulator, 0-160 PSIG Gauge For other regulator options, use last three digits from the "Sandwich Regulator Ordering Information" on page 112 & 113.	<b>Automotive Wiring Options</b> - None C* Chrysler F* SAE / Ford G* General Motors W SAE/Ford with Diffuser * Required with Enclosure "7", "8", "9" Only.	<b>Engineering Level</b> A Current
Code	AC		DC																																																
	60Hz	50Hz																																																	
B9*			24																																																
23**	120	110																																																	
42	24																																																		
45			12																																																
49			24																																																
53	120	110																																																	
57	240																																																		
83**	Use "23" Code																																																		
XX	Remote Pilot																																																		

\* Not available with H3 (Size 3) Valve.

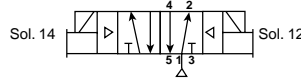
**Single Solenoid**  
**2-Position**



<b>H1</b>	<b>H1EWXBG323000*A</b>	120VAC	1.4 Cv
	<b>H1EWXBG2B9000*A</b>	24VDC	
<b>H2</b>	<b>H2EWXBG323000*A</b>	120VAC	2.7 Cv
	<b>H2EWXBG2B9000*A</b>	24VDC	
<b>H3</b>	<b>H3EWXBG323000*A</b>	120VAC	4.7 Cv
	<b>H3EWXBG2B9000*A</b>	24VDC	

NLMOR, Lighted/Surge Suppression, Internal Pilot, Valve Less Base

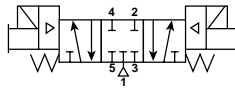
**Double Solenoid**  
**2-Position**



<b>H1</b>	<b>H12WXBG323000*A</b>	120VAC	1.4 Cv
	<b>H12WXBG2B9000*A</b>	24VDC	
<b>H2</b>	<b>H22WXBG323000*A</b>	120VAC	2.7 Cv
	<b>H22WXBG2B9000*A</b>	24VDC	
<b>H3</b>	<b>H32WXBG323000*A</b>	120VAC	4.7 Cv
	<b>H32WXBG2B9000*A</b>	24VDC	

NLMOR, Lighted/Surge Suppression, Internal Pilot, Valve Less Base

**Double Solenoid**  
**3-Position APB**



**APB**  
 Operator/Function Style 5

<b>H1</b>	<b>H15WXBG323000*A</b>	120VAC	1.3 Cv
	<b>H15WXBG2B9000*A</b>	24VDC	
<b>H2</b>	<b>H25WXBG323000*A</b>	120VAC	2.6 Cv
	<b>H25WXBG2B9000*A</b>	24VDC	
<b>H3</b>	<b>H35WXBG323000*A</b>	120VAC	4.2 Cv
	<b>H35WXBG2B9000*A</b>	24VDC	

NLMOR, Lighted/Surge Suppression, Internal Pilot, Valve Less Base

**\* Specify Automotive Wiring Code**  
**C - Chrysler**  
**F - SAE / Ford**  
**G - GM**

	Manifold Kits				End Plate Kits		Subbase Kits	
	End Port	Cyl. Ports	End and Bottom Port	Cyl. Ports		1, 3, 5 Ports	Side Ports	All Ports
<b>H1</b>	—	—	PS4011650P	3/8"	PS353100BP	1/2"	PS4011150P	3/8"
<b>H2</b>	PS4111570P	1/2"	PS4111670P	1/2"	PS363100P	3/4"	PS4111170P	1/2"
<b>H3</b>	PS4211590P	3/4"	PS4211690P	3/4"	PS373100P	1"	PS4211190P	3/4"

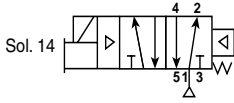
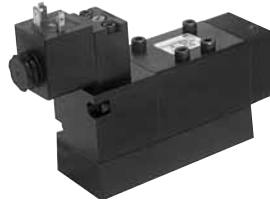
All ports are standard NPT.

**BOLD OPTIONS ARE STANDARD**

Basic Series	Operator/Function	Mounting/Base Style	Port Size/Thread Type	Pilot Source/Pilot Exhaust	Overrides/Lights	Enclosure/Lead Length	Voltage & Frequency	Options	Automotive Wiring Options	Engineering Level																																										
<b>H1</b>	<b>1</b>	<b>W</b>	<b>X</b>	<b>B</b>	<b>G</b>	<b>3</b>	<b>23</b>	<b>---</b>	<b>C</b>	<b>A</b>																																										
<b>Basic Series</b> H1 ISO 5599-1 Size 1 H2 ISO 5599-1 Size 2 H3 ISO 5599-1 Size 3	<b>Operator / Function</b> 1* <b>Single Solenoid, 2-Position - Air Return</b> 2 <b>Double Solenoid, 2-Position</b> 3* Single Remote Pilot, 2-Position - Air Return 4 Double Remote Pilot, 2-Position 5 <b>Double Solenoid, 3-Position - APB</b> 6 Double Solenoid, 3-Position - CE 7 Double Solenoid, 3-Position - PC 8 Double Remote Pilot, 3-Position - APB 9 Double Remote Pilot, 3-Position - CE 0 Double Remote Pilot, 3-Position - PC E <b>Single Solenoid, 2-Position - Air Return / Spring Assist</b> F Single Remote Pilot, 2-Position - Air Return / Spring Assist	<b>Mounting / Base Style</b> 1 <b>Subbase, Side Port</b> 2 Subbase Bottom / Side Ports 5* <b>Manifold, End Ports</b> 6 <b>Manifold Bottom / End Ports</b> 8** Manifold Aux In / Out Bottom / End Ports A+ <b>Compact Subbase, Side Ports</b> B† Compact Subbase, Bottom Ports C VDMA Subbase, Side Ports F VDMA Manifold, Bottom Ports W <b>Valve Less Base: 5599-1</b> * N/A with H1 Valve ** N/A with H2/H3 Valve † N/A with H3 Valve	<b>Port Size / Thread Type</b> 3 1/4" NPT – H1 (1, 2, 6, A, B) 4 1/4" BSPP "G" – H1 (1, 2, 6, A, B, C, F) 5 <b>3/8" NPT – H1 (1, 2, 6, 8); H2 (1, 2, 5, 6, A, B)</b> 6 <b>3/8" BSPP "G" – H1 (1, 2, 6, 8); H2 (1, 2, 5, 6, A, B, C, F)</b> 7 <b>1/2" NPT – H2 (1, 2, 5, 6); H3 (1, 2, 5, 6)</b> 8 <b>1/2" BSPP "G" – H2 (1, 2, 5, 6); H3 (1, 2, 5, 6, C, F)</b> 9 <b>3/4" NPT – H3 (1, 2, 5, 6)</b> 0 <b>3/4" BSPP "G" – H3 (1, 2, 5, 6)</b> X <b>Valve Less Base</b> ( ) List of available mounting styles for each port size.	<b>Pilot Source / Pilot Exhaust</b> 0 None, Remote Pilot Valve B <b>Internal, Port #1 / Vented &amp; Single Remote Pilot</b> L External, Pilot Port #12 / Vented P External, Pilot Port #14 / Vented	<b>Overrides / Lights</b> 0 None, Remote Pilot Valve B Flush, Non-Locking C Flush, Locking G* <b>Flush, Non-Locking / Lighted</b> H* Flush, Locking / Lighted * Only available with voltage codes B9, 23, 49 and 53.	<b>Enclosure / Lead Length</b> 0 None, Remote Pilot Valve 1† 3-Pin Mini Straight Connector 2**† <b>4-Pin M12 Micro Straight Connector</b> 3† <b>5-Pin Mini Automotive Straight Connector</b> 4**† 4-Pin M12 Micro 90° Connector 5 5-Pin Mini 90° Connector H 1/2" Conduit with 18" Leads R 1/2" Conduit with 72" Leads V 4-Pin 30mm ISO 4400 Connector * Operator / Function "1" or "E" Only. ** Enclosure / Lead Length "B9" Only. † Must specify Auto Wiring Option "C", "F", or "G".	<b>Voltage &amp; Frequency</b> <table border="1"> <thead> <tr> <th rowspan="2">Code</th> <th colspan="2">AC</th> <th rowspan="2">DC</th> </tr> <tr> <th>60Hz</th> <th>50Hz</th> </tr> </thead> <tbody> <tr> <td>B9*</td> <td></td> <td></td> <td>24</td> </tr> <tr> <td>23**</td> <td>120</td> <td>110</td> <td></td> </tr> <tr> <td>42</td> <td>24</td> <td></td> <td></td> </tr> <tr> <td>45</td> <td></td> <td></td> <td>12</td> </tr> <tr> <td>49</td> <td></td> <td></td> <td>24</td> </tr> <tr> <td>53†</td> <td>120</td> <td>110</td> <td></td> </tr> <tr> <td>57</td> <td>240</td> <td></td> <td></td> </tr> <tr> <td>83**</td> <td colspan="3">Use "23" Code</td> </tr> <tr> <td>XX</td> <td colspan="3">Remote Pilot</td> </tr> </tbody> </table> * Low watt coil with surge suppression. ** MOV for surge suppression. † Use "23" Code with Automotive Wiring Options "C", "F" & "G".	Code	AC		DC	60Hz	50Hz	B9*			24	23**	120	110		42	24			45			12	49			24	53†	120	110		57	240			83**	Use "23" Code			XX	Remote Pilot			<b>Options</b> – <b>None</b> 000 Use for No Options with Automotive Wiring "C", "F", "G" or "W" 001 Sandwich Flow Control 166 Common Port Regulator, 0-160 PSIG Gauge 206 Single Port Regulator - Port #2, 0-160 PSIG Gauge 260 Single Port Regulator - Port #4, 0-160 PSIG Gauge 266 Dual Port Regulator - Port #2 & #4, 0-160 PSIG Gauge 466 Sandwich Flow Control & Common Port Regulator, 0-160 PSIG Gauge For other regulator options, use last three digits from the "Sandwich Regulator Ordering Information" on page 112 & 113.	<b>Automotive Wiring Options</b> – None C* Chrysler F* SAE / Ford G* General Motors W SAE/Ford with Diffuser * Required for Enclosures "1", "2", "3", "4", "5" Only.	<b>Engineering Level</b> A Current
Code	AC		DC																																																	
	60Hz	50Hz																																																		
B9*			24																																																	
23**	120	110																																																		
42	24																																																			
45			12																																																	
49			24																																																	
53†	120	110																																																		
57	240																																																			
83**	Use "23" Code																																																			
XX	Remote Pilot																																																			

\* Not available with H3 (Size 3) Valve.

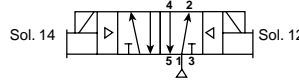
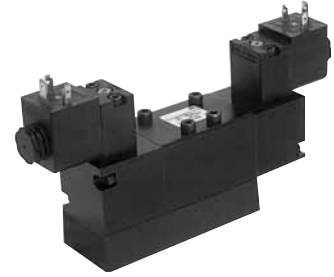
**Single Solenoid**  
**2-Position**



<b>H1</b>	<b>H1EWXBBL53A</b>	120VAC	1.4 Cv
	<b>H1EWXBBL49A</b>	24VDC	
<b>H2</b>	<b>H2EWXBBL53A</b>	120VAC	2.7 Cv
	<b>H2EWXBBL49A</b>	24VDC	
<b>H3</b>	<b>H3EWXBBL53A</b>	120VAC	4.7 Cv
	<b>H3EWXBBL49A</b>	24VDC	

30mm 3-Pin Solenoid, NLMOR, Unlighted, Internal Pilot, Valve Less Base

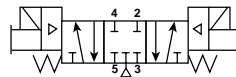
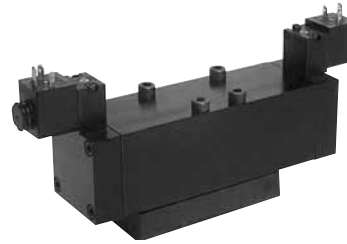
**Double Solenoid**  
**2-Position**



<b>H1</b>	<b>H12WXBBL53A</b>	120VAC	1.4 Cv
	<b>H12WXBBL49A</b>	24VDC	
<b>H2</b>	<b>H22WXBBL53A</b>	120VAC	2.7 Cv
	<b>H22WXBBL49A</b>	24VDC	
<b>H3</b>	<b>H32WXBBL53A</b>	120VAC	4.7 Cv
	<b>H32WXBBL49A</b>	24VDC	

30mm 3-Pin Solenoid, NLMOR, Unlighted, Internal Pilot, Valve Less Base

**Double Solenoid**  
**3-Position APB**



**APB**  
 Operator/Function Style 5

<b>H1</b>	<b>H15WXBBL53A</b>	120VAC	1.3 Cv
	<b>H15WXBBL49A</b>	24VDC	
<b>H2</b>	<b>H25WXBBL53A</b>	120VAC	2.6 Cv
	<b>H25WXBBL49A</b>	24VDC	
<b>H3</b>	<b>H35WXBBL53A</b>	120VAC	4.2 Cv
	<b>H35WXBBL49A</b>	24VDC	

30mm 3-Pin Solenoid, NLMOR, Unlighted, Internal Pilot, Valve Less Base

	Manifold Kits				End Plate Kits		Subbase Kits	
	End Port	Cyl. Ports	End and Bottom Port	Cyl. Ports		1, 3, 5 Ports	Side Ports	All Ports
<b>H1</b>	—	—	<b>PS4011650P</b>	3/8"	<b>PS353100BP</b>	1/2"	<b>PS4011150P</b>	3/8"
<b>H2</b>	<b>PS4111570P</b>	1/2"	<b>PS4111670P</b>	1/2"	<b>PS363100P</b>	3/4"	<b>PS4111170P</b>	1/2"
<b>H3</b>	<b>PS4211590P</b>	3/4"	<b>PS4211690P</b>	3/4"	<b>PS373100P</b>	1"	<b>PS4211190P</b>	3/4"

All ports are standard NPT.

**BOLD OPTIONS ARE STANDARD**

Basic Series	Operator / Function	Mounting / Base Style	Port Size / Thread Type	Pilot Source / Pilot Exhaust	Overrides	Enclosure / Lead Length	Voltage & Frequency	Options	Automotive Wiring Options	Engineering Level																														
<b>H1</b>	<b>1</b>	<b>W</b>	<b>X</b>	<b>B</b>	<b>B</b>	<b>L</b>	<b>53</b>	<b>---</b>	<b>-</b>	<b>A</b>																														
<b>Basic Series</b> H1 ISO 5599-1 Size 1 H2 ISO 5599-1 Size 2 H3 ISO 5599-1 Size 3	<b>Operator / Function</b> 1* <b>Single Solenoid, 2-Position - Air Return</b> 2 <b>Double Solenoid, 2-Position</b> 3* Single Remote Pilot, 2-Position - Air Return 4 Double Remote Pilot, 2-Position 5 <b>Double Solenoid, 3-Position - APB</b> 6 Double Solenoid, 3-Position - CE 7 Double Solenoid, 3-Position - PC 8 Double Remote Pilot, 3-Position - APB 9 Double Remote Pilot, 3-Position - CE 0 Double Remote Pilot, 3-Position - PC E <b>Single Solenoid, 2-Position - Air Return / Spring Assist</b> F Single Remote Pilot, 2-Position - Air Return / Spring Assist	<b>Mounting / Base Style</b> 1 Subbase, Side Port 2 Subbase Bottom / Side Ports 5* <b>Manifold, End Ports</b> 6 <b>Manifold Bottom / End Ports</b> 8** Manifold Aux In / Out Bottom / End Ports A† <b>Compact Subbase, Side Ports</b> B† Compact Subbase, Bottom Ports C VDMA Subbase, Side Ports F VDMA Manifold, Bottom Ports W <b>Valve Less Base: 5599-1</b> * N/A with H1 Valve ** N/A with H2/H3 Valve † N/A with H3 Valve	<b>Port Size / Thread Type</b> 3 1/4" NPT – H1 (1, 2, 6, A, B) 4 1/4" BSPP "G" – H1 (1, 2, 6, A, B, C, F) 5 <b>3/8" NPT – H1 (1, 2, 6, 8); H2 (1, 2, 5, 6, A, B)</b> 6 <b>3/8" BSPP "G" – H1 (1, 2, 6, 8); H2 (1, 2, 5, 6, A, B, C, F)</b> 7 1/2" NPT – H2 (1, 2, 5, 6); H3 (1, 2, 5, 6) 8 <b>1/2" BSPP "G" – H2 (1, 2, 5, 6); H3 (1, 2, 5, 6, C, F)</b> 9 3/4" NPT – H3 (1, 2, 5, 6) 0 3/4" BSPP "G" – H3 (1, 2, 5, 6) X <b>Valve Less Base</b>	<b>Pilot Source / Pilot Exhaust</b> 0 None, Remote Pilot Valve B <b>Internal, Port #1 / Vented &amp; Single Remote Pilot</b> L External, Pilot Port #12 / Vented P External, Pilot Port #14 / Vented	<b>Overrides</b> 0 None, Remote Pilot Valve or CNOMO Interface Less Operator B <b>Flush, Non-Locking</b> C Flush, Locking G* Flush, Non-Locking / Lighted H* Flush, Locking / Lighted * Only available with voltage codes "19".	<b>Enclosure / Lead Length</b> 0 None, Remote Pilot Valve 6* 2-Pin M12 Micro Connector with CNOMO Operator L <b>3-Pin 30mm DIN 43650A with CNOMO Operator</b> N <b>CNOMO Mounting – No Operator</b> P 3-Pin 22mm DIN Industrial with CNOMO Operator * Only available with Voltage / Wiring "19***FA".	<b>Voltage &amp; Frequency</b> <table border="1"> <thead> <tr> <th rowspan="2">Code</th> <th colspan="2">AC</th> <th rowspan="2">DC</th> </tr> <tr> <th>60Hz</th> <th>50Hz</th> </tr> </thead> <tbody> <tr> <td>19*</td> <td></td> <td></td> <td>24</td> </tr> <tr> <td>42</td> <td>24</td> <td>24</td> <td></td> </tr> <tr> <td>49</td> <td></td> <td></td> <td>24</td> </tr> <tr> <td>53</td> <td>120</td> <td>120</td> <td></td> </tr> <tr> <td>57</td> <td>230</td> <td>230</td> <td></td> </tr> <tr> <td>XX</td> <td colspan="3">Remote Pilot or CNOMO Interface Less Operator</td> </tr> </tbody> </table> * LED & Surge Suppression. Only available with Enclosure "6".	Code	AC		DC	60Hz	50Hz	19*			24	42	24	24		49			24	53	120	120		57	230	230		XX	Remote Pilot or CNOMO Interface Less Operator			<b>Options</b> – None 000 Use For No Options With Automotive "F" 001 Sandwich Flow Control 166 Common Port Regulator, 0-160 PSIG Gauge 206 Single Port Regulator - Port #2, 0-160 PSIG Gauge 260 Single Port Regulator - Port #4, 0-160 PSIG Gauge 266 Dual Port Regulator - Port #2 & #4, 0-160 PSIG Gauge 466 Sandwich Flow Control & Common Port Regulator, 0-160 PSIG Gauge For other regulator options, use last three digits from the "Sandwich Regulator Ordering Information" on page 112 & 113.	<b>Automotive Wiring Options</b> – None F* SAE / Ford * Required for Enclosure "6" Only.	<b>Engineering Level</b> A Current
Code	AC		DC																																					
	60Hz	50Hz																																						
19*			24																																					
42	24	24																																						
49			24																																					
53	120	120																																						
57	230	230																																						
XX	Remote Pilot or CNOMO Interface Less Operator																																							

\* Not available with H3 (Size 3) Valve.

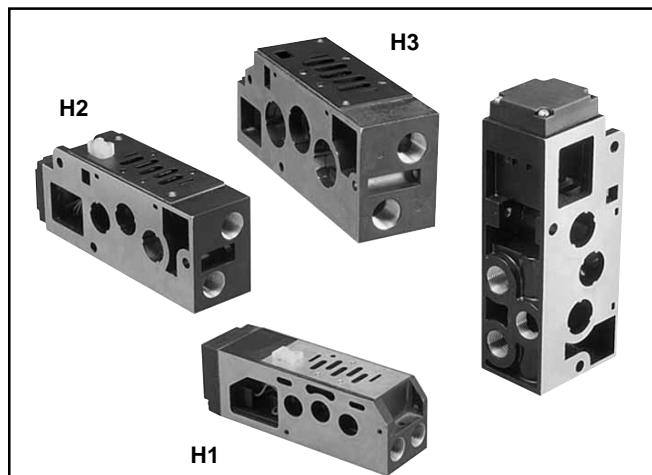
( ) List of available mounting styles for each port size.

## Manifold and Subbase Kit Ordering Code

Basic Series	Mounting/ Base Style	Port Size/ Thread Type	Enclosures/ Lead Length	Wiring Options	Factory Designator
<b>PS4011</b> <b>H1</b>	<b>5</b>	<b>5</b>	<b>C</b>	<b>–</b>	<b>P</b>
<b>PS4111</b> <b>H2</b>	1 Subbase, Side Port	3 1/4" NPT – H1	0 None, No Electrical Plug	– None	
<b>PS4211</b> <b>H3</b>	2 Subbase, Bottom / Side Port	4 1/4" BSPP "G" – H1	7*† 3-Pin Mini Connector in Base	C* Chrysler	
	5* Manifold, End Ports	5 3/8" NPT – H1, H2	8*** 4-Pin M12 Micro Connector in Base	F* SAE / Ford	
	6 Manifold, Bottom / End Port	6 3/8" BSPP "G" – H1, H2	9† 5-Pin Mini Connector in Base	G* GM	
	8** Manifold, Aux In / Out Bottom / End Port	7 1/2" NPT – H2, H3	A 6" Leads	* Required for Enclosure "7", "8", "9" Only.	
		8 1/2" BSPP "G" – H2, H3	B 72" Leads		
		9 3/4" NPT – H3	<b>C Terminal Block</b>		
		0 3/4" BSPP "G" – H3	T** SAM Gen 3.0 Wiring		
			W 144" Leads		

\* N/A for H1  
 \*\* N/A for H2/H3  
 \* Operator / Function "1" or "E" Only.  
 \*\* Voltage Code "B9" Only.  
 † Must specify Auto Wiring Option "C", "F", or "G".

### Manifold Kits



**Mounting / Base Style** **H1**

- 6 #2 & #4 End / Bottom Ports Tapped; (2) Pipe Plugs Included.
- 8 #2 & #4 End & Bottom Ports tapped with drilled hole in #1 Galley (gasket track side) and hole in #2 Galley (flat side).

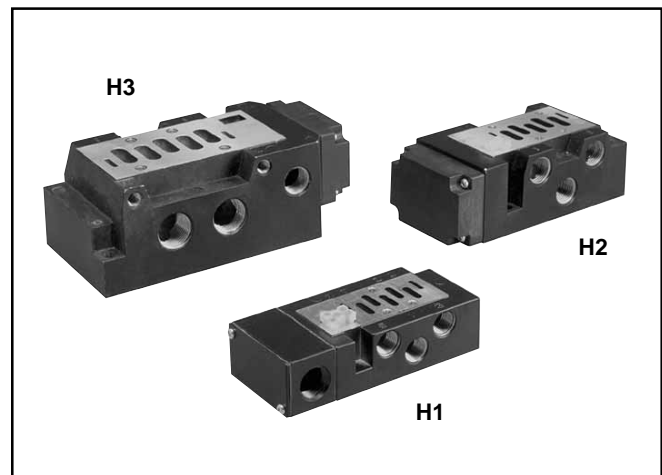
**Mounting / Base Style** **H2** **H3**

- 5 #2 & #4 End Ports Tapped
- 6 #2 & 4 End Ports, #1, #2 & #4 Bottom Ports Tapped; (3) Pipe Plugs Included

**Automotive Connectors**

- Mounted in Individual Manifold Conduit Cover
- 3-Pin - Wired for Single Solenoid
  - 4-Pin / 5-Pin - Wired for Double Solenoid

### Subbase Kits



**Mounting / Base Style** **H1** **H2** **H3**

- 1 #1, #2, #3, #4, and #5 Side Ports Tapped; #12 & #14 Side Pilot Ports Tapped 1/8"
- 2 #1, #2, #3, #4, and #5 Side / Bottom Ports Tapped; (5) Pipe Plugs Included; #12 & #14 Side Pilot Ports Tapped 1/8"

**Automotive Connectors**

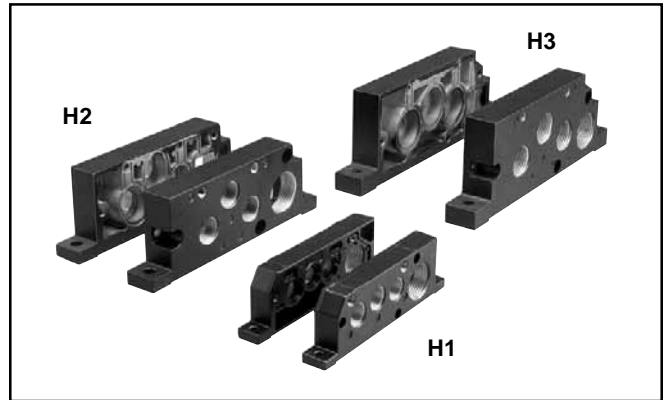
- Mounted in 1/2" Conduit Port
- 3-Pin - Wired for Single Solenoid
  - 4-Pin / 5-Pin - Wired for Double Solenoid

## End Plate

Size	Port Size	Kit Number	
		NPT	BSPP "G"
H1	1/2"	PS353100BP	PS353101BP
H2	3/4"	PS363100P	PS363101P
H3	1"	PS373100P	PS373101P

**Kit includes:** (3) Lock washers, (3) socket head screws, (3) flat washers, (1) gasket, (1) end plate without gasket track, and (1) end plate with gasket track.

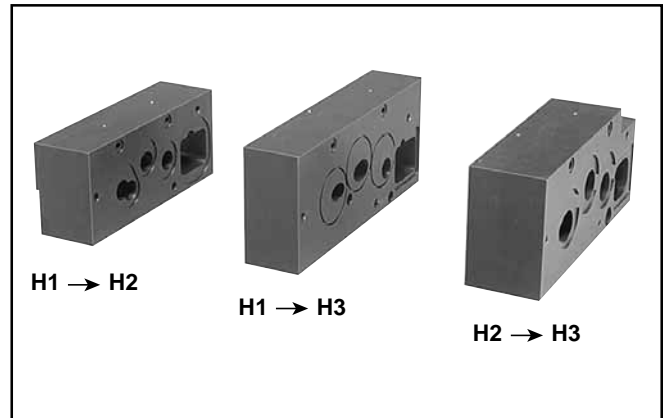
For Collective Wiring End Plate Kit see page 106.



## Transition Plate

Size	Kit Number	
	NPT	BSPP "G"
H1 to H2	PS3627000P	PS3627001P
H1 to H3	PS3726000P	PS3726001P
H2 to H3	PS3727000P	PS3727001P

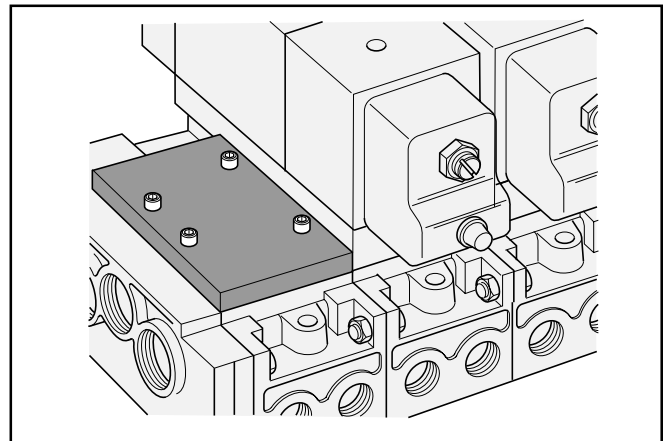
- Allows manifolding of multiple size ISO valves.
- **LOOKING AT THE CYLINDER PORTS**, the smaller valve is on the **LEFT**.
- Transition Plate width:
  - H1 / H2 2.16" (55mm)
  - H1 / H3 1.93" (49mm)
  - H2 / H3 2.42" (61,5mm)
- **Kit includes:** (1) Standard Left Hand End Plate - smaller, (1) Standard Right Hand End Plate - larger, (1) Transition Plate, bolts, washers and gaskets.
- For Transition to H4 Valve, see H4 section.



## Blanking Plate

Size	Kit Number
H1	PS4034P
H2	PS4134P
H3	PS4234P

**Kit includes:** (1) blanking plate, (1) gasket, and (4) mounting bolts.

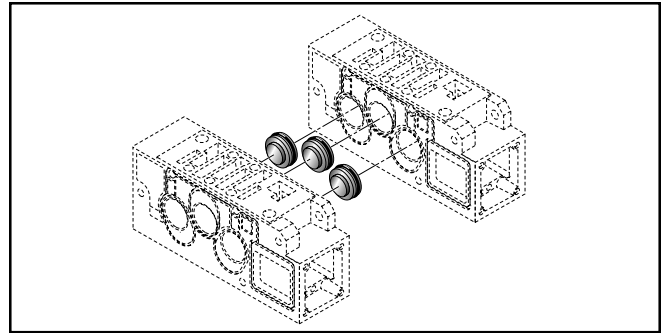


## Manifold Port Isolation

### • Main Galley (1, 3, 5)

Size	Kit Number
H1	PS3532P
H2	PS3632P
H3	PS3732P

**Kit includes:** (3) plugs with o-rings.



### • Pilot Galley

**H1**

Select appropriate gasket to block external pilot galley for special piloting applications.

PS353300BP

PS353301BP      PS353302BP

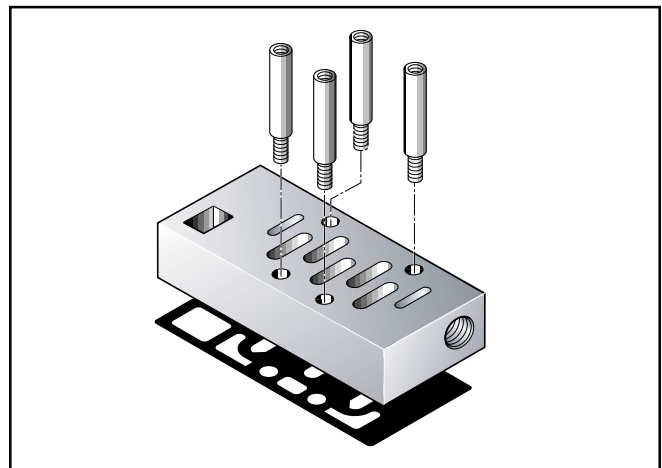
**H2**    **H3**

PS3633P (2) Plugs

## Remote Pilot Access Plate

Size	Port Size	Kit Number	
		NPT	BSPP "G"
H1	1/8"	PS401500P	PS401501P
H2	1/8"	PS411500P	PS411501P
H3	1/8"	PS421500P	PS421501P

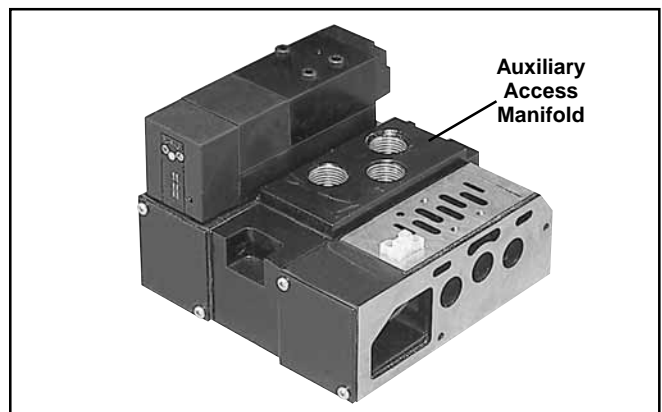
- Provides access to #12 & #14 valve pilot galleys for an H1, H2 & H3 manifold.
- Required for Single or Double Remote Pilot Valve on a manifold. (It is included when you order the valve/manifold combination, not included with valve only.)
- Not required with Single Subbase mounting.
- **Kit includes:** Pilot Port Access Plate, Gasket and 4 mounting studs.
- Height- H1: .85" (22mm); H2: .85" (22mm); H3: .94" (24mm)



## Auxiliary Access Manifold Kit

Size	Kit Number	
	NPT	BSPP "G"
H1	PS352800BP	PS352801BP

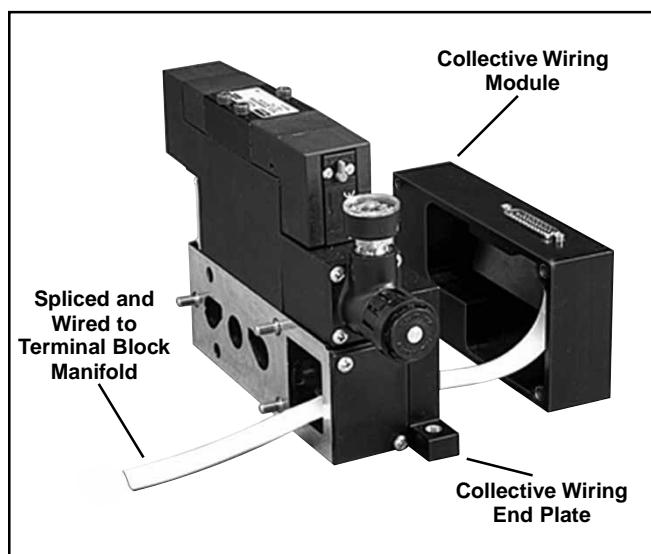
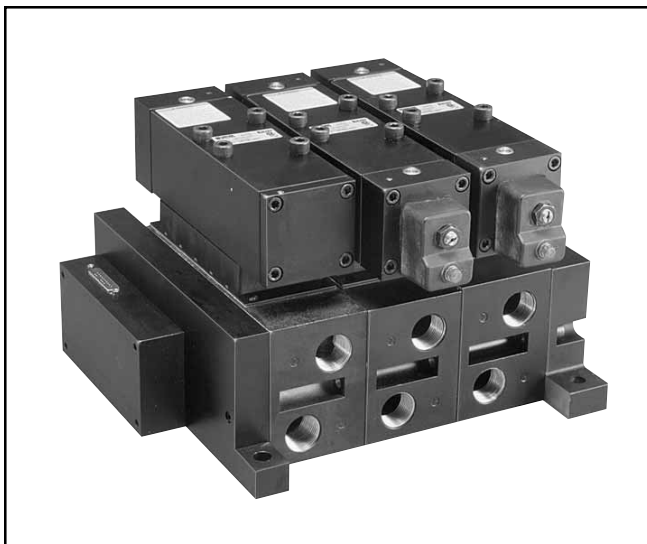
- Used in H1 manifold systems to provide auxiliary access to #1, #3, and #5 ports.
- Top: 1/2" – #1, #3, and #5 port.
- Bottom: 1/2" – #1 port.
- End (12): 1/8" – #12 and #14 port.
- **Kit includes:** Access manifold, gasket and all required hardware.
- Width: 1.93" (49mm)





## Features

- 25-Pin Sub-D – 24 address access
- SAM 2.1 Serial Bus – 32 address access
- FlexSAM Serial Bus – 32 address access
- Available for 24VDC and 120VAC
- Easy in Field Manifold Additions with extra Ribbon Wire.



## Collective Wiring Module

Size	Kit Number
25-Pin Sub-D	<b>SCD251CB</b>
19-Pin Heavy Duty Round	<b>SCC191CB</b>

**Kit includes:** (1) wiring box, (1) gasket, (4) tie rods and (4) bolts.



## Collective Wiring End Plate / Transition Plate Kit

### • End Plate Kit

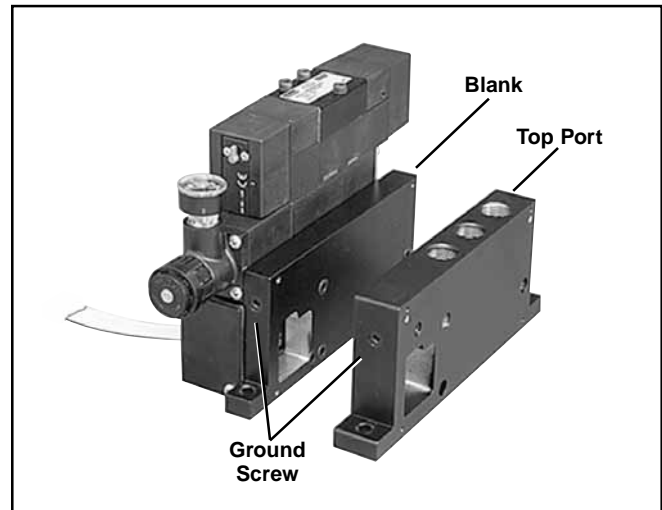
Collective Wiring End Plate		NPT	BSPP
H1	Blank	<b>PS3520L00P</b>	PS3520L01P
	Top Port	PS3520L10P	PS3520L11P
H2	Blank	<b>PS3620L00P</b>	PS3620L01P
	Top Port	PS3620L10P	PS3620L11P
H3	Blank	<b>PS3720L00P</b>	PS3720L01P
	Top Port	PS3720L10P	PS3720L11P

**Kit includes:** (1) CW Left Hand Plate (blank or ported), (1) Standard Right Hand Plate, bolts, washers, gaskets.

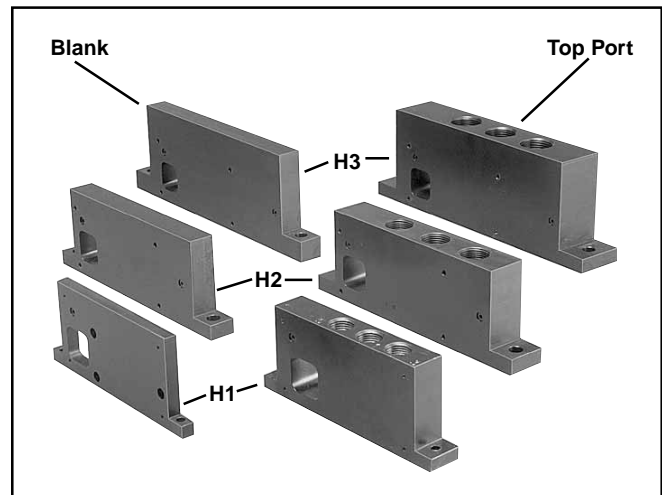
### • Transition Plate Kit

Collective Wiring Transition Plate		NPT	BSPP
H1 to H2	Blank	PS3627L00P	PS3627L01P
	Top Port	PS3627L10P	PS3627L11P
H1 to H3	Blank	PS3726L00P	PS3726L01P
	Top Port	PS3726L10P	PS3726L11P
H2 to H3	Blank	PS3727L00P	PS3727L01P
	Top Port	PS3727L10P	PS3727L11P

**Kit includes:** (1) CW Left Hand Plate - smaller (blank or ported), (1) Standard Right Hand Plate - larger, (1) Transition Plate, bolts, washers, gaskets.



Interface plate includes a machined hole for the addition of a ground screw. An earth ground is recommended for all voltages. Follow standard electrical protocol.



## How to Assemble a Collective Wiring Add-A-Fold

### **Collective Wiring Manifold Configuration:**

- Choose desired number of Valves / Manifolds with Terminal Blocks
- Choose CW End Plate or CW Transition Plate Kit
  - Plug-in and assemble Manifolds and End Plates together.
- Collective Wiring Module SCD251CB or SCC191CB
  - Plug-in and assemble Collective Wiring Module to Collective Wiring Left Hand End Plate and wire the spliced Ribbon Cable to each of the Terminal Block Manifolds.

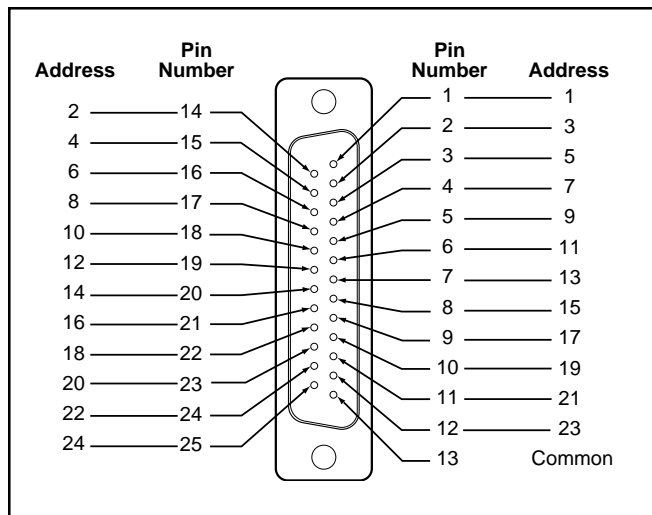
## Technical Specifications

### Maximum Solenoids Energized Simultaneously

	25-Pin Sub-D	19-Pin Round	SAM 2.1	FlexSAM
24VDC	24	16	32	32
120VAC	24	16	32	—

- Valves with Voltage Code "B9" – 24VDC and "23" – 120VAC.

### 25-Pin Sub-D



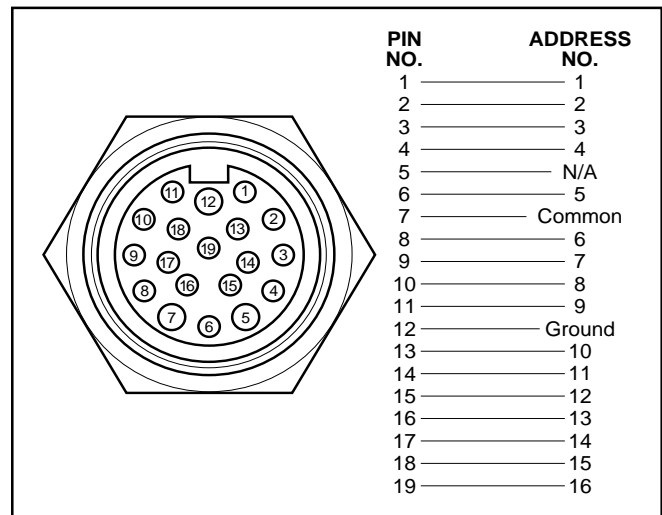
#### 25-Pin Sub-D Cable Specifications

Common wire rating must be greater than total amperage of all solenoids on a Add-A-Fold assembly.

Example: 12 station manifold, 24 solenoids,  
 24VDC - 24 x .129 = 3.1 total amp rating.

IP65 rated with properly assembled IP65 rated cable.

### 19-Pin Round Brad Harrison



#### 19-Pin Round Cable Specifications

Common Pin "7" is rated for 8 amps. Cable common wire must be greater than total amperage of solenoids on Add-A-Fold assembly.

Example: 8 station manifold, 16 solenoids,  
 120VAC - 16 x .120 amps = 1.92 total amp rating.

NEMA 4 rated with properly assembled NEMA 4 rated cable.

#### Female Cable Assemblies:

Contact Brad Harrison for a representative at [www.connector.com](http://www.connector.com)

### VDMA Manifolds

**VDMA Form C Bottom Port**

Series	Port Size	BSPP "G"
H1	1/4"	P2N-VM512MB
H2	3/8"	P2N-WM513MB
H3	1/2"	P2N-YM514MB

### Subbases

**Side Port**

VDMA Form A

Series	Port Size	NPT	BSPP "G"
H1	VDMA 1/4"	P2N-GS592SD	P2N-GS512SD
	VDMA 1/4"	—	P2N-VS512SD
H2	VDMA 3/8"	P2N-HS593SS	P2N-HS513SS
	VDMA 3/8"	—	P2N-WS513S
H3	VDMA 1/2"	—	P2N-YS514SD

**VDMA Form D End Plates**

Series	Port Size	BSPP "G"
H1	3/8"	P2N-VM513E
H2	1/2"	P2N-WM514ES
H3	1"	P2N-YM518ES

**Bottom Port**

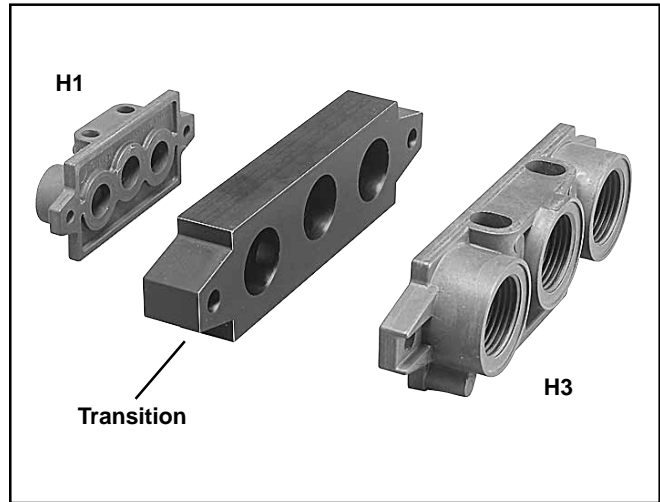
Series	Port Size	NPT	BSPP "G"
H1	1/4"	P2N-GS592SB	P2N-GS512SB
H2	3/8"	P2N-HS593SB	P2N-HS513SB

### VDMA Transition Plate

Size	Kit Number
H1 / H3 H1 to H3	P2N-VM500AK

**Kit includes:** Transition Plate Only.

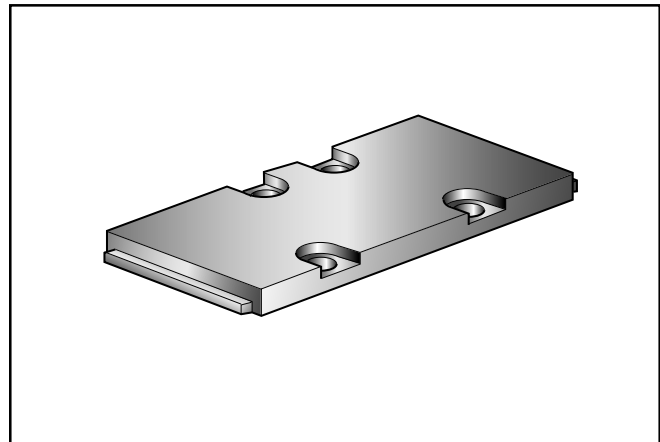
- Order P2N-VM513ES and P2N-YM518ES separately to assemble add-a-fold.



### VDMA Blanking Plate

Size	Kit Number
H1	P2N-AA5B
H2	P2N-BA5B
H3	P2N-CA5B

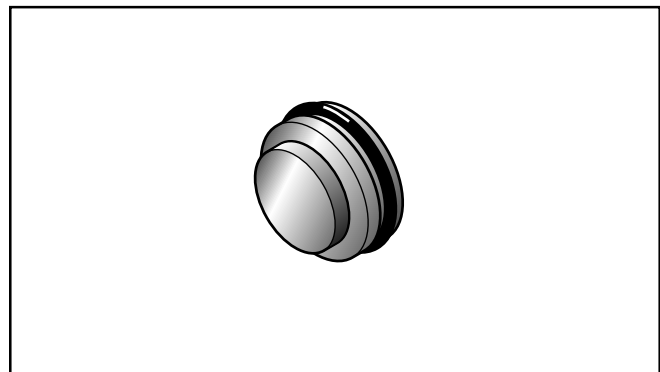
**Kit includes:** (1) blanking plate, (1) gasket, and (4) mounting bolts.

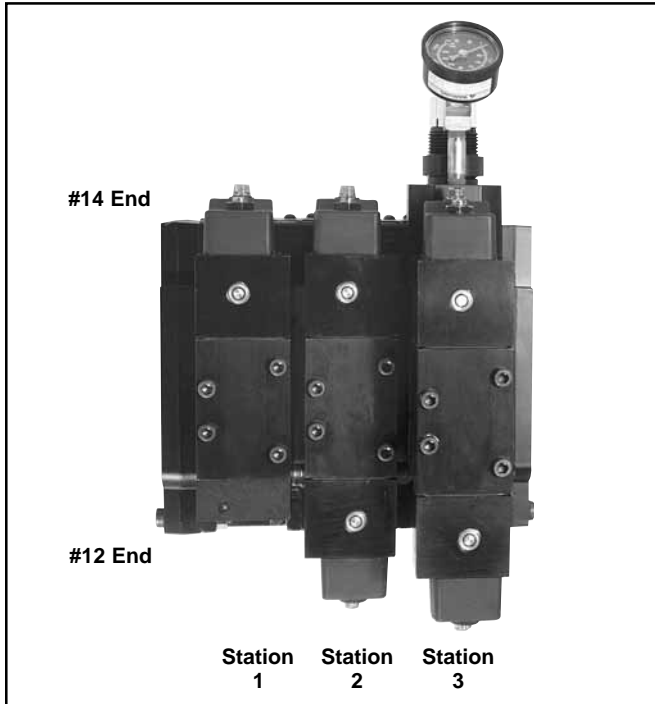


### VDMA Isolation Plugs - Main Galley

Size	Kit Number
H1	P2N-VK0P
H2	P2N-WK0P
H3	P2N-YK0P

**Kit includes:** (1) Isolator Plug.





## How To Order Add-A-Fold Assemblies

1. List Add-A-Fold Assembly call out. This automatically includes the end plate kit assembly.
2. List complete valve/base model number. List left to right, **LOOKING AT THE CYLINDER PORTS** on the #12 end of the manifold. The left most station is station 1.  
  
(If a blank station is needed, list the blanking plate part number and the individual manifold number in the station specified.)

## Model Number

<b>AA</b>	<b>H2</b>	<b>S</b>	<b>N</b>	<b>03</b>	—	<b>W</b>
<b>Valve Series</b>	<b>End Plate Type</b>	<b>Port Type</b>	<b>Number of Stations</b>	<b>Transition Plate Kit</b>	<b>Addressing</b>	
H1 ISO Size 1 H2 ISO Size 2 H3 ISO Size 3 H4 ISO Size 4	C Collective Wiring - Blank Interface Plate D Collective Wiring - Ported Interface Plate S Standard V* VDMA (ISO 5599-1)	G BSP "G" N NPT	01 • • • 32	Blank No Transition Plate C* H1 to H2 D* H1 to H3 E* H2 to H3	V* Wired per Number of Solenoids W* All Stations Wired for Double Solenoids	
	* H1, H2, H3 & Port Type "G" Only.			* Use largest size AA## number	* Only used with End Plate Type "C" and "D".	

**Example:** Application requires a 3-station manifold and requires isolation between station 2 & 3 for all three main galleys.

Item	Qty.	Part No.
001	1	AAH2SN03
002	1	H2E55BGA23A ..... Station 1
003	1	H2255BGA53A ..... Station 2
004	1	PS3632P ..... Galley 1,3,5 Between Station 2 & 3
005	1	H2255BGA53166A ..... Station 3

*When ordering a Collective Wiring Add-A-Fold, list the appropriate wiring module after the AA number.*

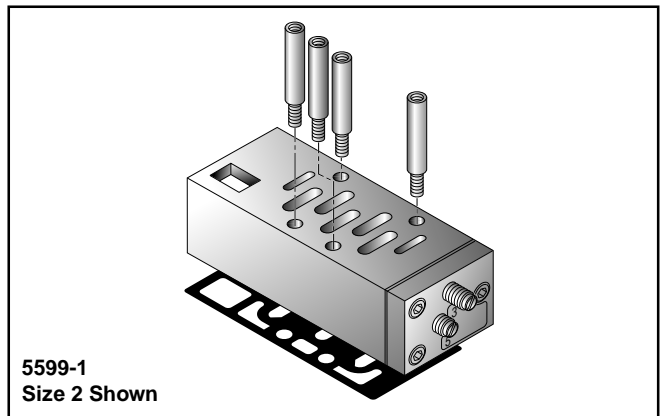
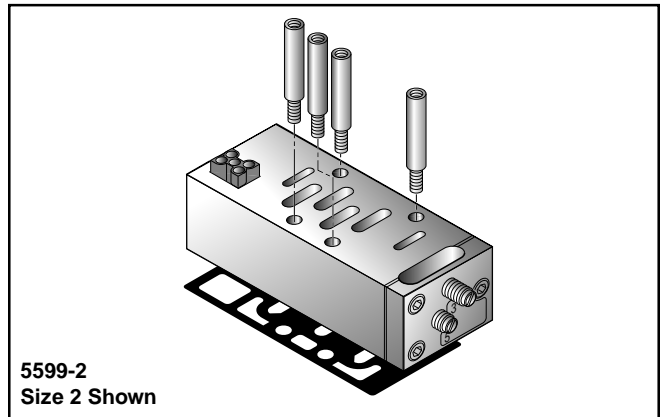
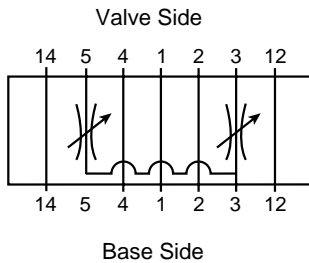
*Example:*

1	AAH1CN04W	4-Station Assembly - CW Blank Plate
1	SCD251CB	25-Pin Sub-D Module
4	H1E65BGC9A	H1 Valve

## Sandwich Flow Controls

### Features:

- Available on H1, H2, & H3 with all valve functions; manifold or subbase mounted.
- Machined anodized aluminum block with brass flow control needles.
- Both adjustment screws are located on the 12 end of the unit.
- 5599-2 includes electrical plug. 5599-1 provided without plug.
- Sandwich Flow Control mounts with its own studs, which means the valve uses standard bolts for mounting.
- Sandwich Flow Control is not to be used as a shut off device and is not bubble tight when needles are fully turned down.



Size	5599-2	5599-1	Cv*	Height	Weight (lbs.)
H1	PS4035P	PS4042P	.9	1.33" (34mm)	.75
H2	PS4135P	PS4142P	1.6	1.33" (34mm)	1.13
H3	PS4235P	PS4242P	3.1	1.93" (49mm)	2.50

\* Cv calculated as average of flow path 2 → 3 and 4 → 3.

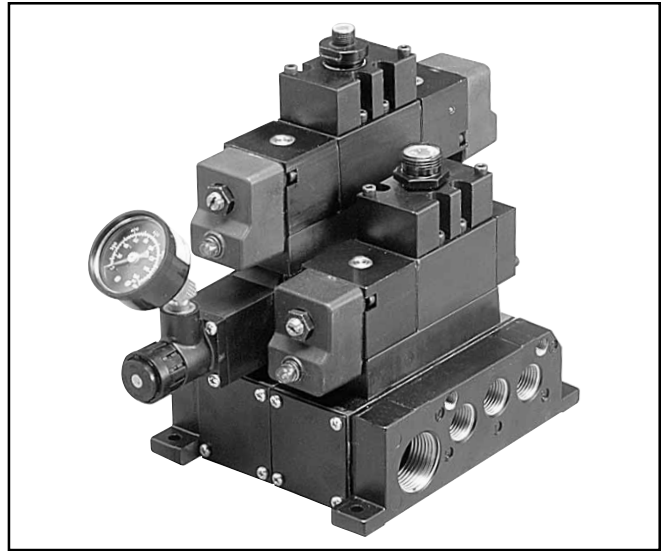
*A Sandwich Flow Control and Common Port Sandwich Regulator may be sandwiched together on a manifold or subbase. The Sandwich Flow Control MUST be located between the manifold/subbase and the Common Port Sandwich Regulator.*

*A 5599-2 Single Remote Pilot or Double Remote Pilot valve does not require an electrical bridge plug for the Sandwich Flow Control. A 5599-1 Sandwich Flow Control can be used.*

## “H1” Series Sandwich Regulators

### Features:

- Common regulation to both cylinder ports.
- Single regulation of one cylinder port.
- Dual regulation of each cylinder port independently.
- Operating Pressure (Primary) 35-150 PSIG.
- Three adjustment ranges available:  
 1-30 PSIG 2-60 PSIG 5-125 PSIG
- Regulators are relieving type using standard regulator components (H1-14R).
- Locking, non-rising knobs.
- Gauges available as standard option.
- Transfer of primary air through regulator to valve pilots ensures consistent valve shifting.



Series	Sandwich Block Function	#4 Port Regulator / Gauge	#2 Port Regulator / Gauge
<b>PS4037</b>	<b>1</b>	<b>6</b>	<b>6</b>
<b>Series</b> PS4037 ISO 5599-1 (Non Plug-in) PS4038 ISO 5599-2 (Plug-in)	<b>Sandwich Block Function</b> 1 Common Pressure Regulator 2 Independent Pressure Regulator 3 Selector Regulator	<b>#4 Port Regulator / Gauge *</b> 0 Line By-Pass Plate** 1 1-30 PSIG w/o Gauge 2 2-60 PSIG w/o Gauge 3 <b>5-125 PSIG w/o Gauge</b> 4 1-30 PSIG w/Gauge 5 2-60 PSIG w/Gauge 6 <b>5-125 PSIG w/Gauge</b> 7 1-30 PSIG w/Liquid Gauge 8 2-60 PSIG w/Liquid Gauge 9 5-125 PSIG w/Liquid Gauge A Air Pilot w/o Gauge C Air Pilot w/60 PSIG Gauge D Air Pilot w/160 PSIG Gauge G Air Pilot w/160 PSIG Liquid Gauge	<b>#2 Port Regulator / Gauge *</b> 0 Line By-Pass Plate** 1 1-30 PSIG w/o Gauge 2 2-60 PSIG w/o Gauge 3 5-125 PSIG w/o Gauge 4 1-30 PSIG w/Gauge 5 2-60 PSIG w/Gauge 6 <b>5-125 PSIG w/Gauge</b> 7 1-30 PSIG w/Liquid Gauge 8 2-60 PSIG w/Liquid Gauge 9 5-125 PSIG w/Liquid Gauge A Air Pilot w/o Gauge C Air Pilot w/60 PSIG Gauge D Air Pilot w/160 PSIG Gauge G Air Pilot w/160 PSIG Liquid Gauge

\* For Common Pressure Regulator Option, Operator / Gauge callout must be the same number for both Port #4 and Port #2. (Example: 166)

\*\* Pressure Line By-Pass Option can only be used with Independent and Selector Regulators (Option 2 & 3 in Sandwich Block Function).

#### Internal Pilot Regulator:

#12 pilot hole is pressurized from the #1 port of the regulator BEFORE the pressure is regulated. The Internal Pilot option should be used for solenoid and single remote pilot valve applications where supply pressure is greater than 35 PSIG and an external pilot function is NOT required.

#### External Pilot Regulator:

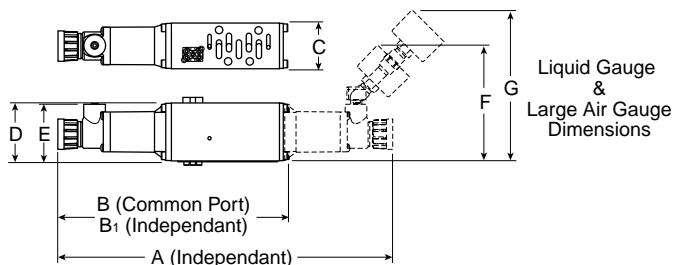
#12 pilot is open from top to bottom of the regulator. The External Pilot option should be used for all double remote pilot valve applications, and solenoid and single remote pilot valve applications that require an external pilot signal in the manifold or subbase.

All regulator kits are assembled for internal supply and supply pilot air to the valve at the 12 pilot.

### H1 H1 Regulator

A	B	B <sub>1</sub>	C	D	E	F	G
12.34 (313)	8.13 (207)	8.63 (219)	1.63 (41)	2.09 (53)	2.05 (52)	4.25 (108)	5.45 (139)

Inches (mm)





## “H2” and “H3” Series Sandwich Regulators

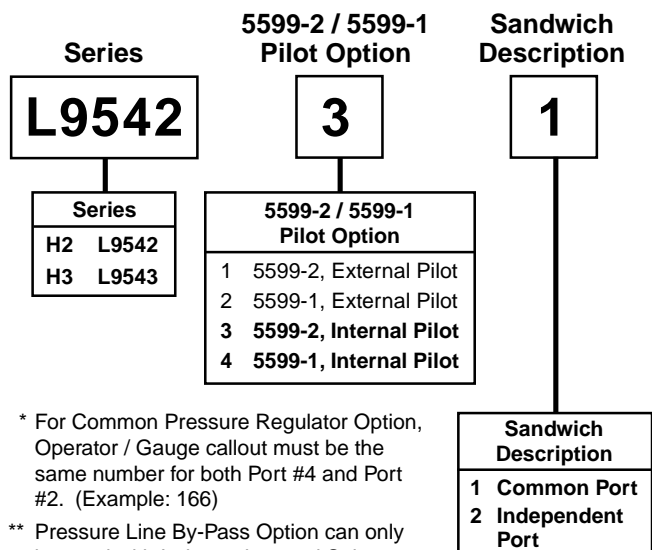
### Features:

- Common regulation to both cylinder ports.
- Single regulation of one cylinder port.
- Dual regulation of each cylinder port independently.
- Operating Pressure (Primary) 35-150 PSIG.
- Three adjustment ranges available:  
 1-30 PSIG 2-60 PSIG 5-125 PSIG
- Regulators are relieving type using standard regulator components (H2-20R, H3-06R).
- Locking, non-rising knobs.
- Gauges available as standard option.
- Transfer of primary air through regulator to valve pilots ensures consistent valve shifting.

### Valve Model Number Index

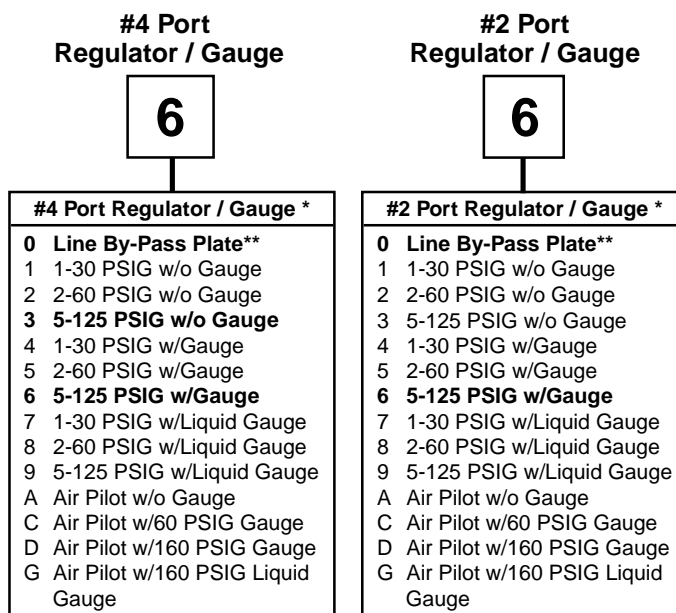
When using a sandwich regulator, the valve **MUST** be configured for external pilot since the pilot supply through the regulator is at the 12 pilot.

- If ordering a valve only, Pilot Source “L” or “P” must be used.
- If ordering a valve, regulator, base combination,  
 - Pilot Source “B” if base is internal pilot  
 - Pilot Source “L” or “P” if base is external pilot

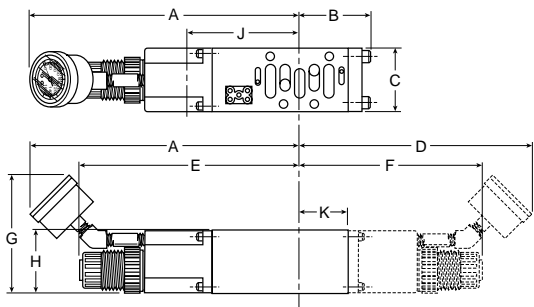


\* For Common Pressure Regulator Option, Operator / Gauge callout must be the same number for both Port #4 and Port #2. (Example: 166)

\*\* Pressure Line By-Pass Option can only be used with Independent and Selector Regulators (Option 2 & 3 in Sandwich Block Function).



### H2



### H2 Regulator

A	B**	C	D	E	F	G	H	J***	K*
8.30	2.15	2.12	7.17	7.02	5.89	3.67	2.03	3.28	1.62
(210)	(55)	(54)	(182)	(178)	(150)	(93)	(52)	(83)	(41)

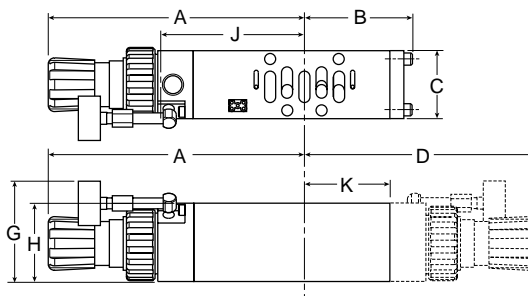
Inches (mm)

\* Common Port Version

\*\* Single Port #4

\*\*\* Single Port #2

### H3



### H3 Regulator

A	B**	C	D	G	H	J***	K*
9.42	3.81	2.50	8.49	3.72	2.91	4.64	2.30
(239)	(97)	(64)	(216)	(95)	(74)	(118)	(58)

Inches (mm)

\* Common Port Version

\*\* Single Port #4

\*\*\* Single Port #2

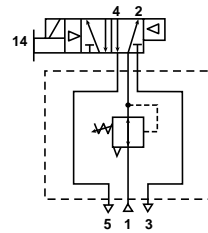
## Common Pressure Regulator

### Function:

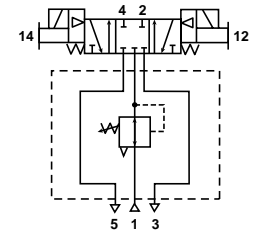
#### Common Port Regulation

Provides adjustable regulated air pressure to the valve's #1 port which gives the same pressure to both the #2 and #4 port of the manifold or subbase. The regulator is always on the 14 end of the valve.

Common Port Regulator with  
 4-Way, 2-Position Valve



Common Port Regulator with  
 4-Way, 3-Position APB Valve

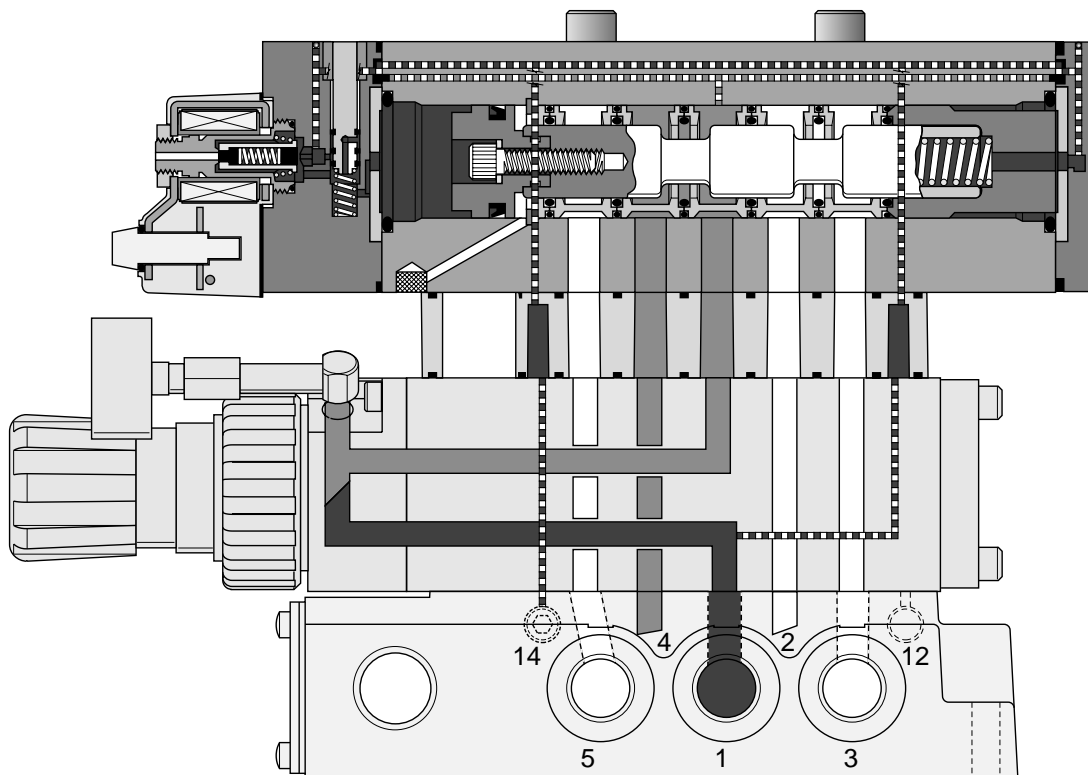


C <sub>v</sub>	H1	H2	H3
	.8	1.6	3.0

Calculated with a valve & regulator on a base.

## Common Port Regulation – Internal Pilot System

H3 Shown



## Independent Pressure Regulator

### Function:

#### Single Port Regulation

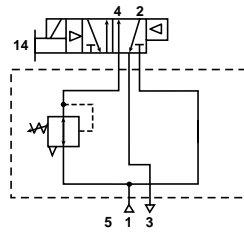
Provides regulated pressure to one of the ports and full line pressure to the other by use of the Line Pressure By-Pass Plate. Pressure regulation can occur out of the #2 or #4 port of the valve.

C <sub>v</sub>	H1	H2	H3
	.8	1.4	2.9

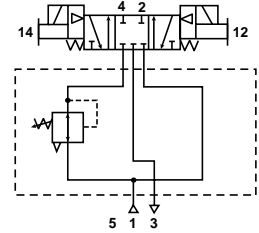
Calculated with a valve & regulator on a base.

*When using an Independent Pressure Sandwich Regulator, the cylinder outlet ports are reversed. The 12 end energizes the #4 port and the 14 end energizes the #2 port. The 3-Position CE and PC functions are also reversed. (See schematics on right.)*

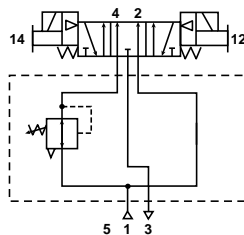
Independent Port Regulator with 4-Way, 2-Position Valve



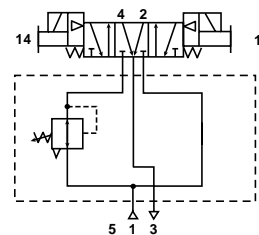
Independent Port Regulator with 4-Way, 3-Position All Ports Blocked Valve



Independent Port Regulator with 4-Way, 3-Position, Inlet to Cylinder Function



Independent Port Regulator with 4-Way, 3-Position, Cylinder to Exhaust Function

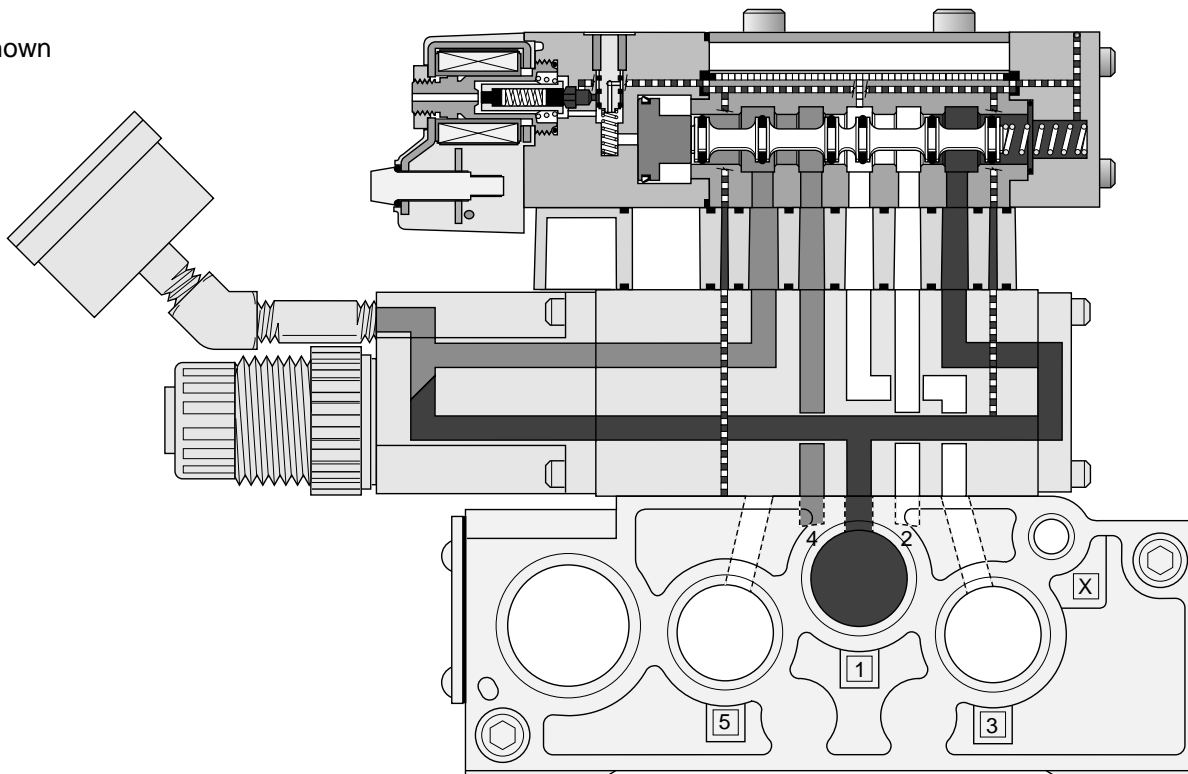


⚠ CAUTION: Requires 4-Way, 3-Position, Cylinder to Exhaust Valve

⚠ CAUTION: Requires 4-Way, 3-Position, Inlet to Cylinder Valve

## Single Port Regulation – Internal Pilot System

H2 Shown



## Independent Pressure Regulator

### Function:

#### Dual Port Regulation

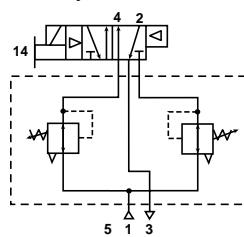
Provides independent regulated pressure to the #2 and #4 ports of the manifold or subbase.

$C_v$	<b>H1</b>	<b>H2</b>	<b>H3</b>
	.7	1.3	2.7

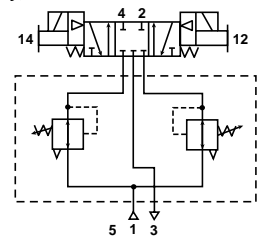
Calculated with a valve & regulator on a base.

*When using an Independent Pressure Sandwich Regulator, the cylinder outlet ports are reversed. The 12 end energizes the #4 port and the 14 end energizes the #2 port. The 3-Position CE and PC functions are also reversed. (See schematics on right.)*

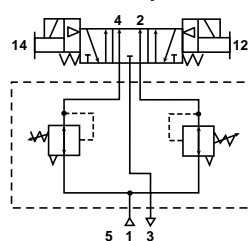
Independent Port Regulator with 4-Way, 2-Position Valve



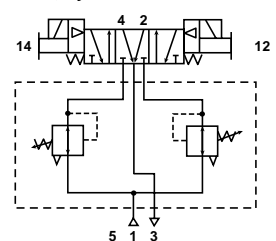
Independent Port Regulator with 4-Way, 3-Position All Ports Blocked Valve



Independent Port Regulator with 4-Way, 3-Position, Inlet to Cylinder Function



Independent Port Regulator with 4-Way, 3-Position, Cylinder to Exhaust Function

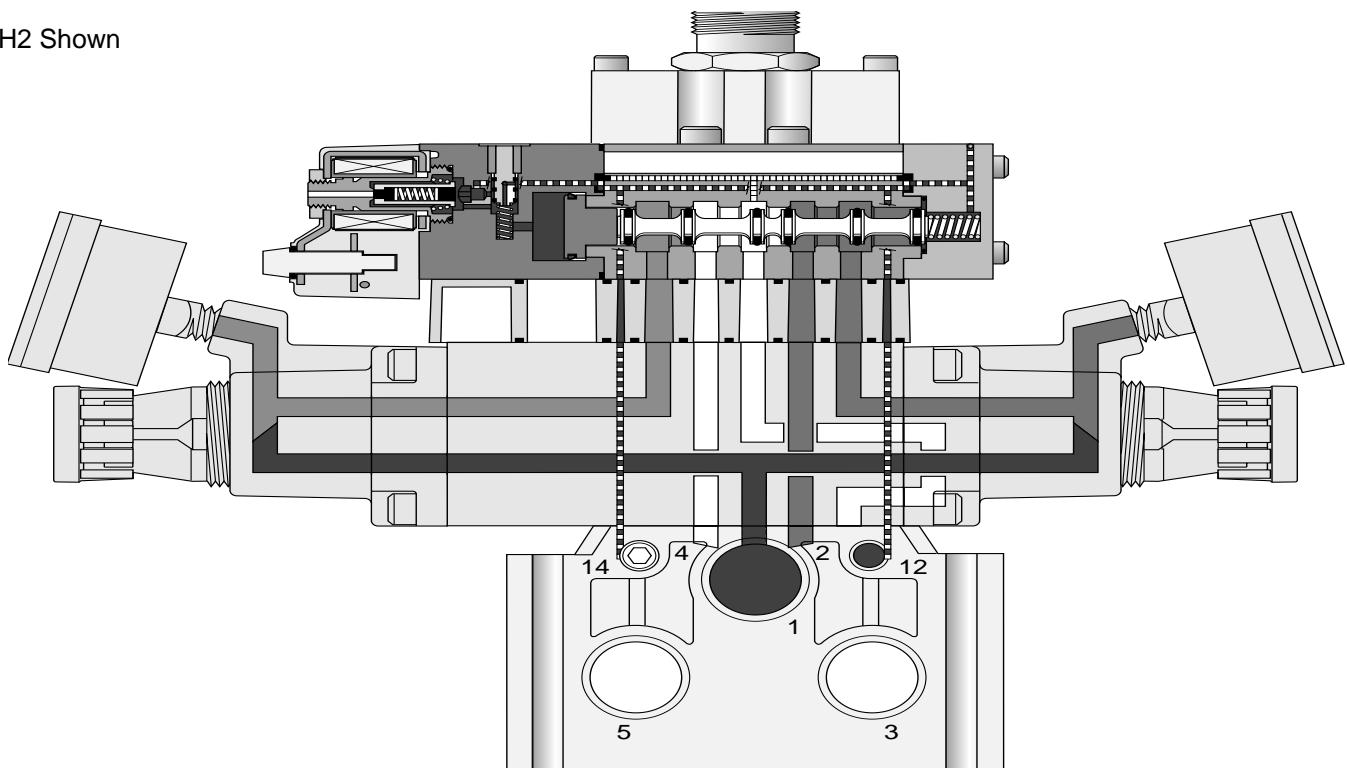


⚠ CAUTION: Requires 4-Way, 3-Position, Cylinder to Exhaust Valve

⚠ CAUTION: Requires 4-Way, 3-Position, Inlet to Cylinder Valve

## Dual Port Regulation – External Pilot System

H2 Shown



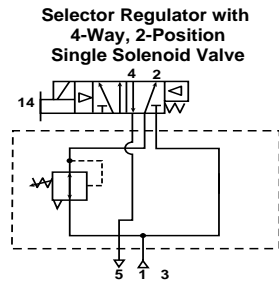
## Function

### Select Pressure Regulation

Supplies two different pressures to the valve's #1 and #3 flow paths. Shifting the valve "selects" one or the other of these two pressures to flow out port #2. A Pressure Select Regulator can 1) Provide regulated pressure to one flow path and full line pressure to the other by use of the Line Pressure By-Pass Plate or 2) Provide regulated pressure to each of the flow paths. (Note: Port #4 is pressurized with air from #1 flow path when 14 end is energized. In many applications, port #4 in the manifold or subbase needs to be plugged.)

$C_v$	<b>H1</b>	<b>.7</b>
-------	-----------	-----------

Calculated with a valve and regulator on a base with the regulator fully open.

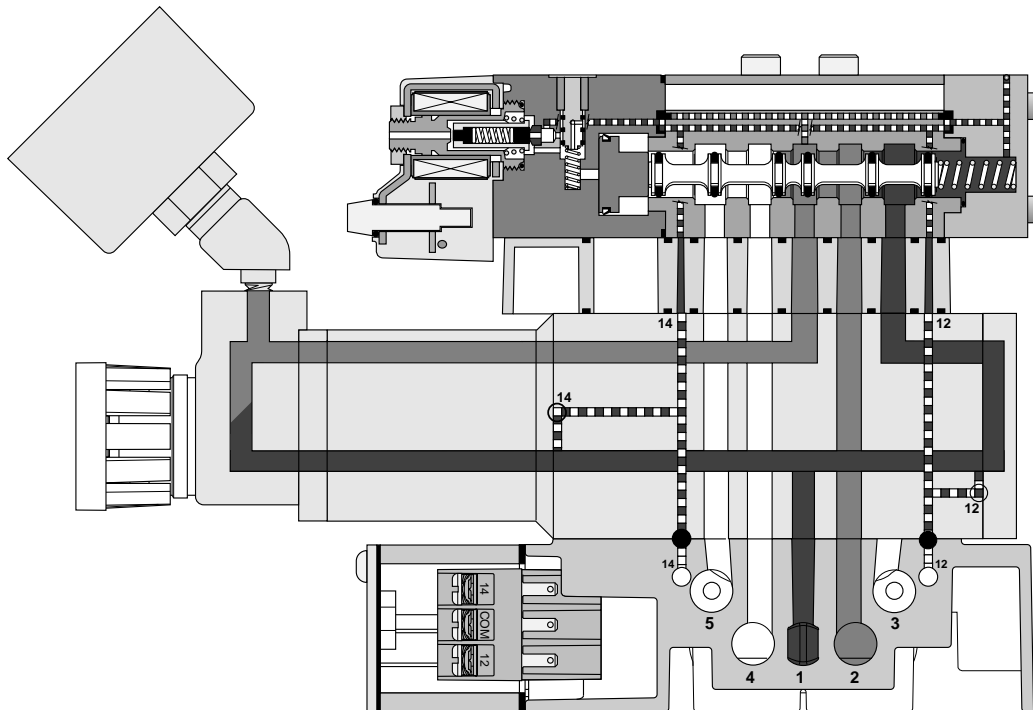


## Application

- Use one valve station with Pressure Select Regulator and Auxiliary Inlet/Outlet Manifold to feed pressure to #1 galley of next valve station with Auxiliary Inlet/Outlet Manifold and 2-Position valve. (Control speed and torque of air motors, tip pressures of welding guns.)
- Multiple pressure control of vacuum/blow-off system using Pressure Select Regulator on manifold or subbase.

## Internal Pilot System

### H1 Shown



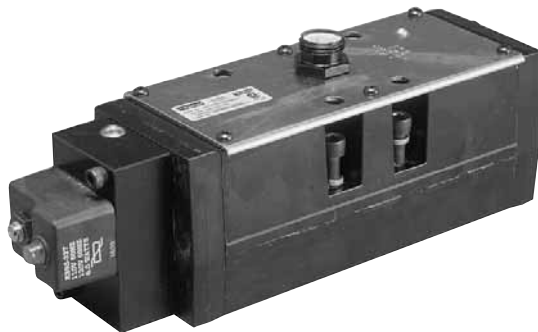
**“H4” 5599-2 Valve**



	<b>Single Solenoid, 2-Position</b>	<b>H41VXBGA53A</b>	120VAC
		<b>H41VXBGAB9A</b>	24VDC
	<b>Double Solenoid, 2-Position</b>	<b>H42VXBGA53A</b>	120VAC
		<b>H42VXBGAB9A</b>	24VDC
	<b>Double Solenoid, 3-Position APB</b>	<b>H45VXBGA53A</b>	120VAC
		<b>H45VXBGAB9A</b>	24VDC

NLMOR, Lighted, with Surge Suppression, Valve Less Base

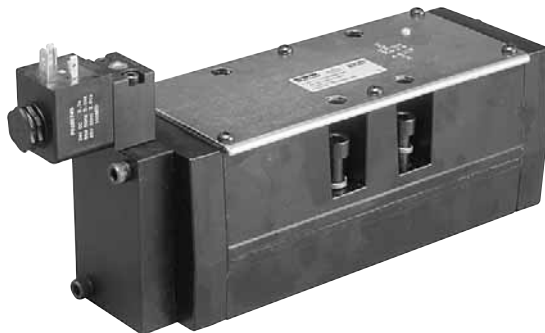
**“H4” 5599-1 AUTO Valve**



	<b>Single Solenoid, 2-Position</b>	<b>H41WXBG383000*A</b>	120VAC
		<b>H41WXBG2B9000*A</b>	24VDC
	<b>Double Solenoid, 2-Position</b>	<b>H42WXBG383000*A</b>	120VAC
		<b>H42WXBG2B9000*A</b>	24VDC
	<b>Double Solenoid, 3-Position APB</b>	<b>H45WXBG383000*A</b>	120VAC
		<b>H45WXBG2B9000*A</b>	24VDC

NLMOR, Lighted, with Surge Suppression, Valve Less Base  
 120VAC – 5-Pin Mini; 24VDC – 4-Pin M12 Micro  
 \*Specify C, F, or G Wiring Code

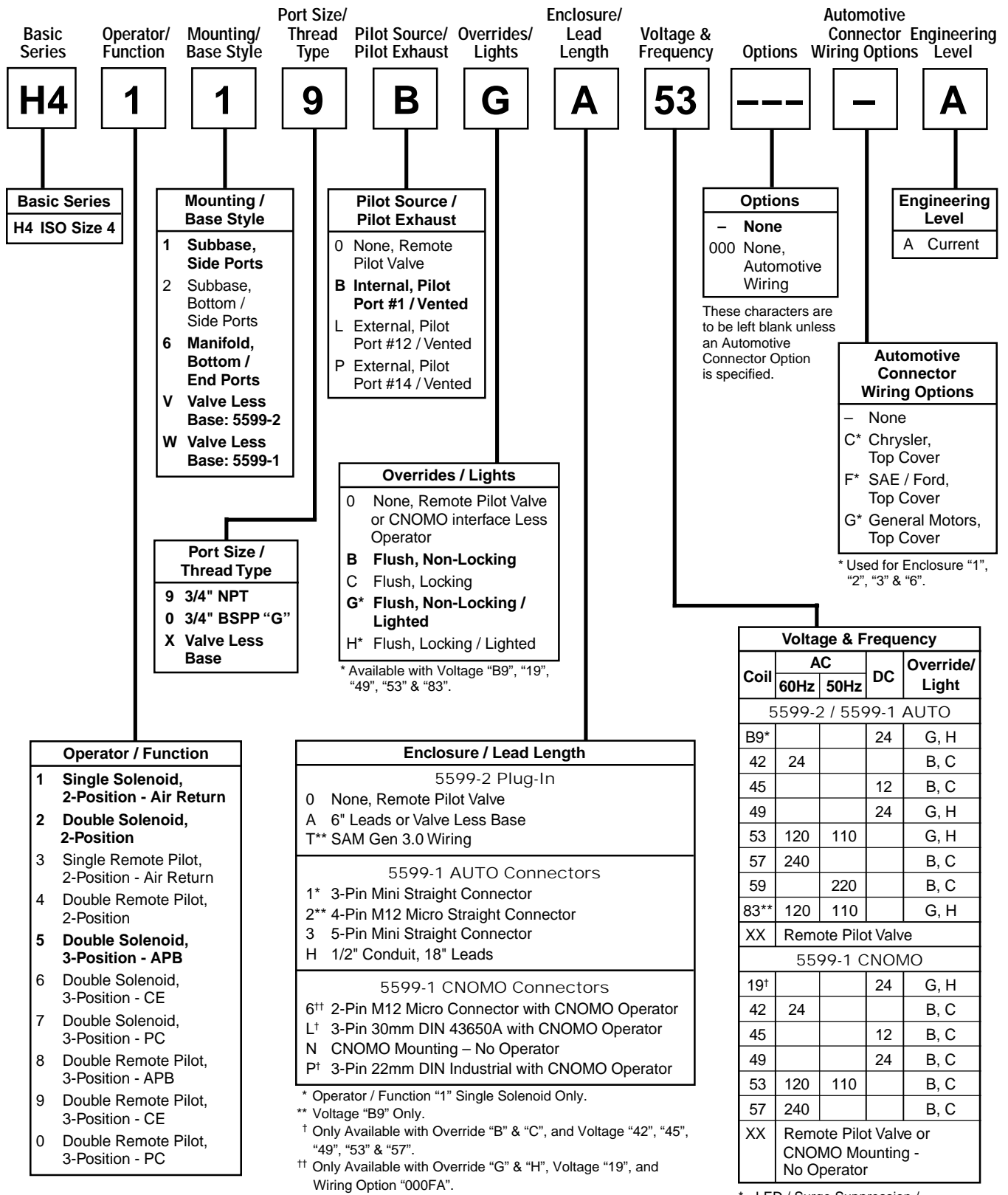
**“H4” 5599-1 DIN Valve**



	<b>Single Solenoid, 2-Position</b>	<b>H41WXBBL53A</b>	120VAC
		<b>H41WXBBL49A</b>	24VDC
	<b>Double Solenoid, 2-Position</b>	<b>H42WXBBL53A</b>	120VAC
		<b>H42WXBBL49A</b>	24VDC
	<b>Double Solenoid, 3-Position APB</b>	<b>H45WXBBL53A</b>	120VAC
		<b>H45WXBBL49A</b>	24VDC

NLMOR, Unlighted, 30mm 3-Pin DIN with CNOMO,  
 Valve Less Base

**BOLD OPTIONS ARE STANDARD**



\* Available with Voltage "B9", "19", "49", "53" & "83".

\* Operator / Function "1" Single Solenoid Only.  
 \*\* Voltage "B9" Only.  
 † Only Available with Override "B" & "C", and Voltage "42", "45", "49", "53" & "57".  
 †† Only Available with Override "G" & "H", Voltage "19", and Wiring Option "000FA".

\* LED / Surge Suppression / Low Watt / Blue Coil.  
 \*\* MOV for surge suppression.  
 † LED / Surge Suppression / Low Watt

## Manifold and Subbase Kit Ordering Code

Basic Series	Mounting/ Base Style	Port Size/ Thread Type	Enclosures/ Lead Length	Factory Designator
<b>PS43</b>	<b>H4</b>	<b>9</b>	<b>A</b>	<b>P</b>
	<b>1</b> Subbase, Side Port <b>2</b> Subbase, Bottom / Side Port <b>6</b> Manifold, Bottom / End Port	<b>9</b> 3/4" NPT <b>0</b> 3/4" BSPP "G"	<b>0</b> None, No Electrical Plug <b>A</b> 6" Leads	



**Mounting / Base Style** **H4**

- 1** #1, #2, #3, #4, and #5 Side Ports Tapped 3/4"; #12 & #14 Side Pilot Ports Tapped 1/8"
- 2** #1, #2, #3, #4, and #5 Bottom Ports Tapped 3/4"; #1, #2, #3, #4, and #5 Side Ports Tapped 1/2"; #12 & #14 Bottom Pilot Ports Tapped 1/8"
- 6** #2 and #4 End Ports Tapped 3/4"; #2 and #4 Bottom Ports Tapped 3/4"; #1, #3 and #5 Bottom Ports Tapped 1/2"; #12 & #14 Bottom Pilot Ports Tapped 1/8"



### End Plate

Size	Port Size	Kit Number	
		NPT	BSPP "G"
<b>H4</b>	1"	<b>PS1437P</b>	<b>PS1480P</b>

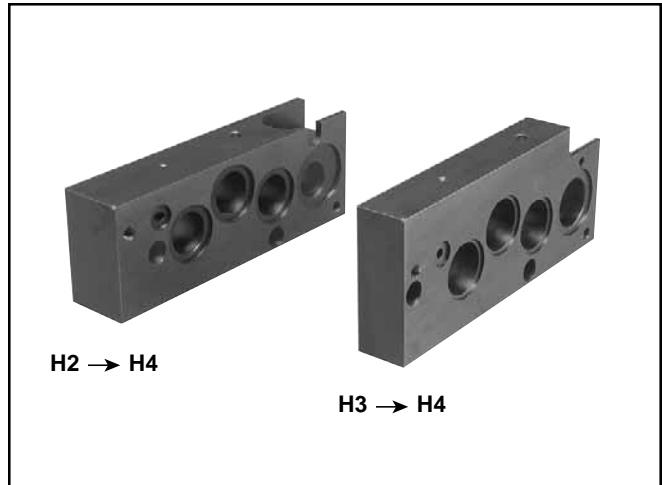
**Kit includes:** (3) Lock washers, (3) socket head screws - M5 x .8, (3) flat washers, (1) gasket, (1) end plate without gasket track, and (1) end plate with gasket track.



## Transition Plate

Size	Kit Number	
	NPT	BSPP "G"
H2 to H4	PS4126000P	PS4126001P
H3 to H4	PS4227000P	PS4227001P

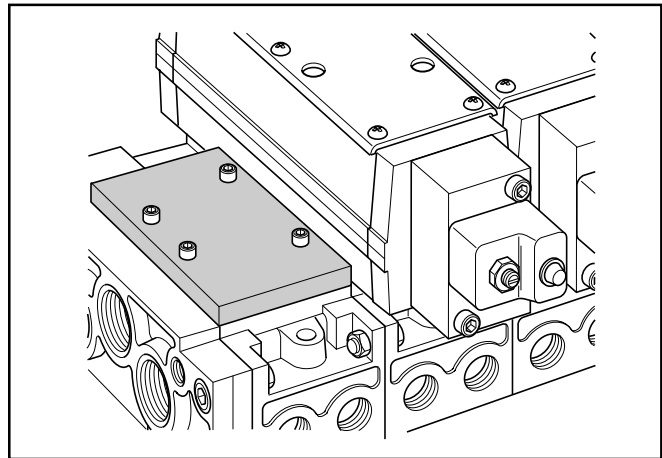
- LOOKING AT THE CYLINDER PORTS, the smaller valve is on the LEFT.
- Transition Plate width:  
 H2 / H4 1.38" (34mm)  
 H3 / H4 1.89" (48mm)
- **Kit includes:** (1) Standard Left Hand End Plate - smaller,  
 (1) Standard Right Hand End Plate - larger,  
 (1) Transition Plate, bolts, washers and gaskets.



## Blanking Plate

Size	Kit Number
H4	PS1479P

- Kit includes:** (1) blanking plate, (1) gasket, and (4) mounting bolts.



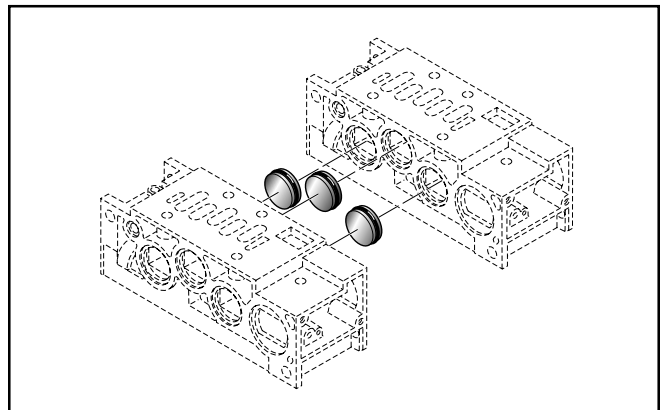
## Manifold Port Isolation

- **Main Galley (1, 3, 5)**

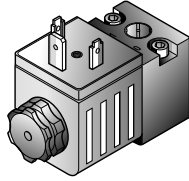
Size	Kit Number
H4	PS1419BP

- Kit includes:** (3) plugs.

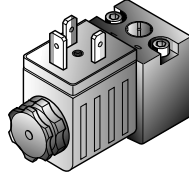
NOTE: For X Pilot galley, use 1/8" NPT pipe plug when using Remote Pilot Valves and Special Applications.



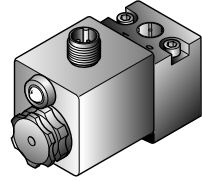
**5599-1 DIN**



**30mm 3-Pin ISO 4400  
(DIN 43650A)**  
(Enclosure/Lead Length "L")

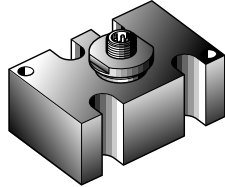


**22mm 3-Pin Rectangular  
(DIN 43650 Industrial)**  
(Enclosure/Lead Length "P")

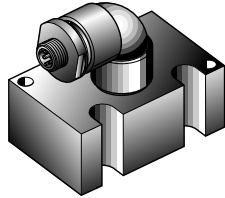


**30mm M12 Micro**  
(Enclosure/Lead Length "6")

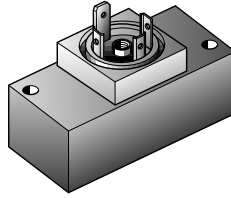
**5599-1 AUTO**



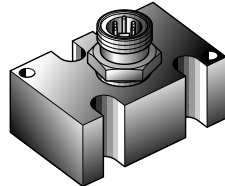
**4-Pin Micro**  
(Enclosure/Lead Length "2")



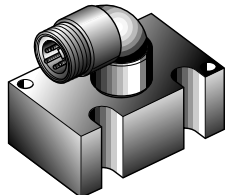
**4-Pin Micro 90°**  
(Enclosure/Lead Length "4")



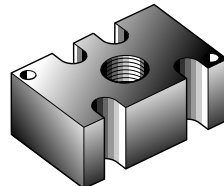
**4-Pin ISO 4400**  
(Enclosure/Lead Length "V")



**5-Pin Mini**  
(Enclosure/Lead Length "3")

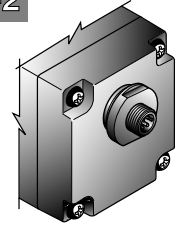


**5-Pin Mini 90°**  
(Enclosure/Lead Length "5")

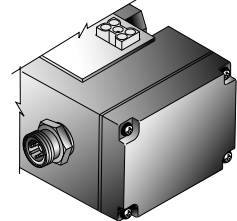


**1/2" Conduit**  
(Enclosure/Lead Length "H")

**5599-2**



**Manifold Auto Connector**  
(Enclosure/Lead Length "7", "8", or "9")



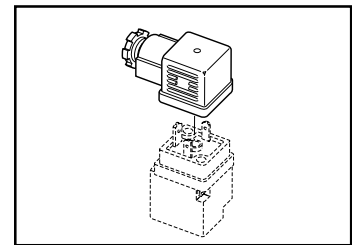
**Subbase Auto Connector**  
(Enclosure/Lead Length "7", "8", or "9")

**Female Electrical Connectors (IP65 Rated)**

**30mm 3-Pin ISO 4400 (DIN 43650A), Enclosure "L"**

Connector	Connector with 6' (2m) Cord	Description
PS2028BP	PS2028JBP	Unlighted
PS203279BP	PS2032J79BP*	Light – 6-48V, 50/60Hz; 6-48VDC
PS203283BP	PS2032J83BP*	Light – 120V/60Hz
PS203283BP	N/A	Light – 240V/60Hz

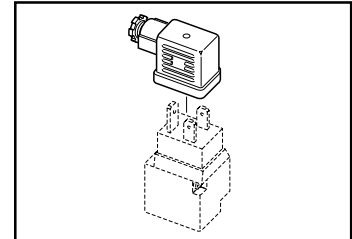
\* With surge suppression.



**22mm 3-Pin Rectangular (DIN 43650 Industrial), Enclosure "P"**

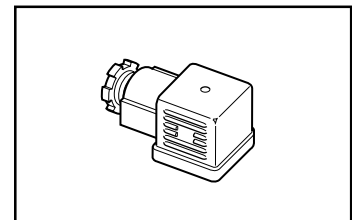
Connector	Connector with 6' (2m) Cord	Description
PS2429P	PS2429JP	Unlighted
PS243079P	PS2430J79P*	Light – 24V/60Hz, 24VDC
PS243083P	PS2430J83P*	Light – 120V/60Hz
PS243087P	N/A	Light – 240V/60Hz

\* With surge suppression.



**30mm 4-Pin ISO 4400, Enclosure "V"**

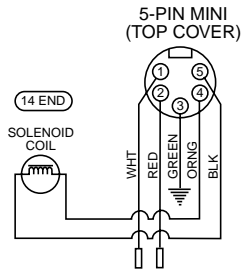
Connector	Description
PS2058P	Unlighted
PS205879P	Light – 24V/60Hz, 24VDC
PS205883P	Light – 120V/60Hz
PS205887P	Light – 240V/60Hz



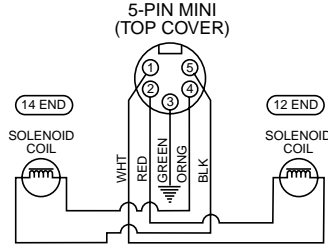
## Automotive Connection – Wiring Options

### Chrysler Connection (Straight or 90° Receptacle)

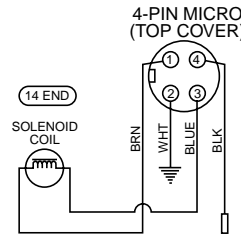
**5-Pin Male/Single Solenoid**  
 (Encl. Options 3 & 5, Auto Option C)



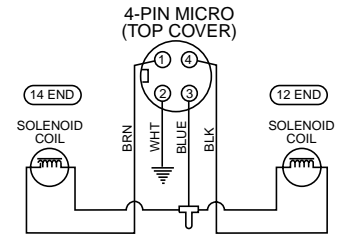
**5-Pin Male/Double Solenoid**  
 (Encl. Options 3 & 5, Auto Option C)



**4-Pin Male/Single Solenoid**  
 (Encl. Options 2 & 4, Auto Option C)

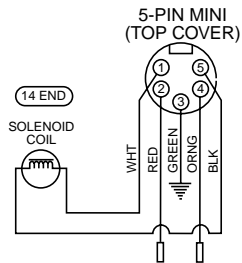


**4-Pin Male/Double Solenoid**  
 (Encl. Options 2 & 4, Auto Option C)

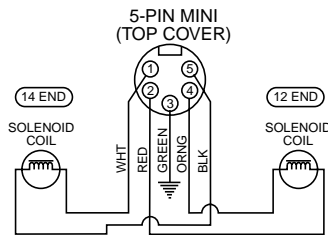


### Ford Connection (Straight or 90° Receptacle)

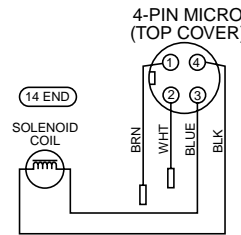
**5-Pin Male/Single Solenoid**  
 (Encl. Options 3 & 5, Auto Option F)



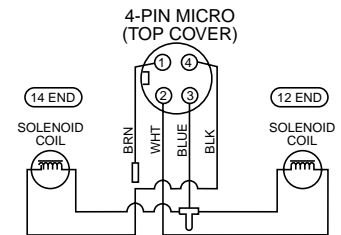
**5-Pin Male/Double Solenoid**  
 (Encl. Options 3 & 5, Auto Option F)



**4-Pin Male/Single Solenoid**  
 (Encl. Options 2, 4 & 6, Auto Option F,G)

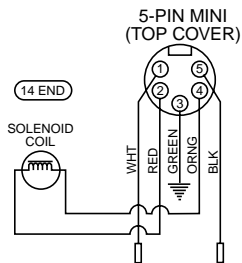


**4-Pin Male/Double Solenoid**  
 (Encl. Options 2 & 4, Auto Option F)

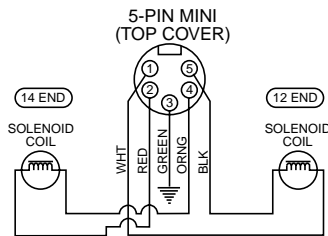


### GM Connection (Straight or 90° Receptacle)

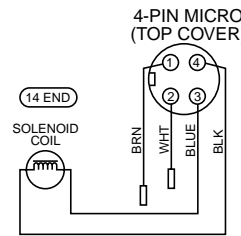
**5-Pin Male/Single Solenoid**  
 (Encl. Options 3 & 5, Auto Option G)



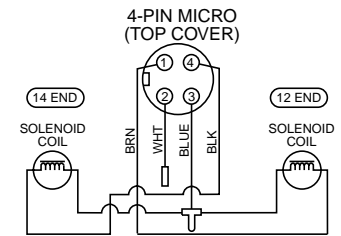
**5-Pin Male/Double Solenoid**  
 (Encl. Options 2 & 4, Auto Option G)



**4-Pin Male/Single Solenoid**  
 (Encl. Options 2 & 4, Auto Option F,G)



**4-Pin Male/Double Solenoid**  
 (Encl. Options 2 & 4, Auto Option G)



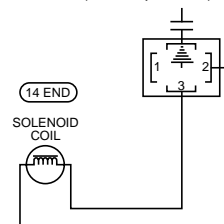
## Automotive Connection Thread Type

5-Pin Mini Connector - 7/8 UNF thread

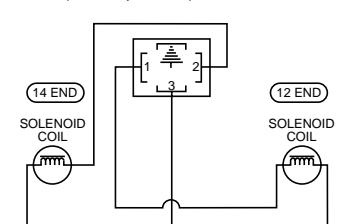
4-Pin Micro Connector - M12 thread

## 4-Pin ISO 4400

**30mm, 4-Pin ISO 4400 Single Solenoid**  
 (Encl. Options V)



**30mm, 4-Pin ISO 4400 Double Solenoid**  
 (Encl. Options V)



## Flow Rating (Cv)

Size	Port Size	Mounting Style	2-Position	3-Position
H1	1/4"	Subbase Hi-Flow	1.2	1.1
	3/8"	Subbase Hi-Flow	1.4	1.3
	1/4"	Subbase Compact	1.1	1.1
	1/4"	Manifold Hi-Flow	1.2	1.1
	3/8"	Manifold Hi-Flow	1.4	1.2
	1/4"	Manifold VDMA	1.1	1.1
H2	3/8"	Subbase Hi-Flow	2.3	2.2
	1/2"	Subbase Hi-Flow	2.5	2.5
	3/8"	Subbase Compact	2.3	2.1
	3/8"	Manifold Hi-Flow	2.5	2.4
	1/2"	Manifold Hi-Flow	2.7	2.6
	3/8"	Manifold VDMA	2.3	2.1
H3	1/2"	Subbase Hi-Flow	4.2	3.8
	3/4"	Subbase Hi-Flow	4.2	3.8
	1/2"	Subbase Compact	4.4	4.0
	1/2"	Manifold Hi-Flow	4.2	3.8
	3/4"	Manifold Hi-Flow	4.7	4.2
	1/2"	Manifold VDMA	4.4	4.0
H4	3/4"	Subbase	7.3	5.2
	3/4"	Manifold	7.3	5.2

## Response Time

Valve Size	Port Size	0 Cu. In. Test Chamber		50 Cu. In. Test Chamber	
		Fill	Exhaust	Fill	Exhaust
<b>2-Position Single Solenoid Internal Air Return</b>					
H1	1/4"	33.1	33.4	176.0	270.0
H2	3/8"	47.0	48.9	120.0	187.0
H3	—	—	—	—	—
H4	3/4"	<i>Consult Factory if Needed</i>			
<b>2-Position Single Solenoid Spring/Air Return</b>					
H1	1/4"	32.1	32.7	177.0	274.0
H2	3/8"	43.2	44.9	116.0	184.0
H3	1/2"	76.4	80.3	112.5	142.8
H4	—	—	—	—	—
<b>2-Position Double Solenoid</b>					
H1	1/4"	18.9	20.2	163.0	260.0
H2	3/8"	25.0	26.4	102.0	165.0
H3	1/2"	23.0	25.3	55.0	84.7
H4	3/4"	<i>Consult Factory if Needed</i>			
<b>3-Position Double Solenoid</b>					
H1	1/4"	24.7	26.5	170.0	264.0
H2	3/8"	27.3	38.2	105.0	170.0
H3	1/2"	30.7	33.1	68.3	100.6
H4	3/4"	<i>Consult Factory if Needed</i>			

### Average Fill Time: (Milliseconds)\*

\* With 100 PSIG supply, time required to fill from 0-90 PSIG and exhaust from 100 PSIG to 10 PSIG is measured from instant of energizing, or de-energizing 120V/60Hz solenoid. Times shown are average.

## CSA / NRTL-C

### 5599-2 / 5599-1 AUTO

H1, H2, H3, H4 – Standard 150 PSI

### 5599-1 DIN

H1, H2, H3, H4 – Maximum Pressure 115 PSI  
 Insert an 'L' at the end of the valve part number.

## Temperature Rating

5°F to 120°F (-15°C to 50°C) ambient.

## Operating Pressure

Maximum: 150 PSIG (1035 kPa)  
 Minimum:

Operator/ Function	Internal Pilot	MIN PSIG (kPa)		
		H1 & H2	H3	H4
1	Single Solenoid - Air Return	35 (241)	35 (241)	40 (276)
2	Double Solenoid			
3	Single Remote Pilot - Air Return			
4	Double Remote Pilot	Vacuum		
5, 6, 7	Double Solenoid - APB, CE, PC	35 (241)	35 (241)	40 (276)
8, 9, 0	Double Remote Pilot - APB, CE, PC	Vacuum		
E	Single Solenoid - Air Return / Spring Assist	35 (241)	35 (241)	N/A
F	Single Remote Pilot - Air Return / Spring Assist			
	<b>External Pilot *</b>			
All	"H" Series	Vacuum		

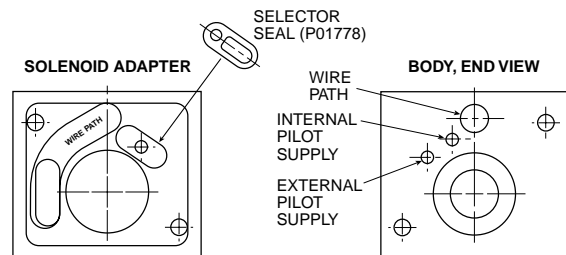
\* External Pilot Pressure / Remote Pilot Signal  
 50-150 PSIG (345-1035 kPa).

## Field Conversion of Pilot Supplies

**CAUTION:** Turn air and electrical supplies off before servicing unit.



1. Remove solenoid coil so that you can access and remove the adapter block at the #14 end (and/or #12 end).
2. Remove air return end cap at the #12 end.  
**Note:** Valve body has two pilot holes (internal & external). The internal pilot hole is the one located closest to the wire path hole.
3. Position the selector seal into its groove to connect the supply air (from the valve body) to either internal or external pilot supply. The figure shows the external pilot supply being selected.  
**Note:** The same selection of seal positioning needs to be made at both the 12 & 14 ends.
4. Reassemble unit using the reverse order that it was taken apart.
5. External pilot supply can now be accessed from the 12 or 14 end of the base.



**Note:** "H3" selector seal recess is in the valve body.



1. Remove valve from base.
2. Remove existing gasket and replace with appropriate gasket shown to fit application.
3. When ordering an "H4" Valve, correct gasket is included with corresponding valve callouts.

**Internal Pilot Port #1**



P00148

**Single Remote Air Pilot**



P00150

**External Pilot**



P00149

**Double Remote Air Pilot**



P00151

**Note:** For single remote pilot valve with common external pilot, use P00151.

**5599-1 DIN Solenoid Information**

Voltage Range +10% / -10% of Nominal

Voltage Code	Voltage			Coil Kit Number		Power Consumption
	60Hz	50Hz	DC	Unlighted		
<b>30mm DIN</b>						
42	24	(24)	—	PS2828A42P		3.9VA (5.2VA)
49	—	—	24	PS2828A49P		2.7W
53	120	(120)	—	PS2828A53P		4.1VA (5.4VA)
57	230	(230)	—	PS2828A57P		3.7VA (4.9VA)
<b>22mm DIN</b>						
42	24	(24)	—	PS2828B42P		7.3VA (8.9VA)
49	—	—	24	PS2828B49P		4.8W
53	120	(120)	—	PS2828B53P		6.3VA (7.8VA)
57	230	(230)	—	PS2828B57P		6.4VA (7.9VA)
<b>30mm M12</b>						
19	—	—	24	PS2828619P		2.7W

**5599-2 5599-1 AUTO Solenoid Information**

Voltage Range +10% / -15% of Nominal

Voltage Code	Voltage			Coil Kit Number		Power Consumption (Watts)	AC		DC
	60Hz	50Hz	DC	With Indicator Light	Unlighted		Inrush (Amps)	Hold (Amps)	Hold (Amps)
<b>B9*</b>	—	—	<b>24</b>	<b>K252 030*</b>	K252 029*	2.5**	—	—	0.105
42	24	—	—	—	K252 031	6.0	.60	.41	—
43	—	24	—	—	K252 032	6.0	.57	.40	—
45	—	—	12	—	K252 032	6.0	—	—	.47
<b>49</b>	—	—	<b>24</b>	<b>K252 033</b>	K252 034	6.0	—	—	.23
51	—	—	48	—	K252 035	6.0	—	—	.14
<b>53</b>	<b>120</b>	<b>110</b>	—	<b>K252 036</b>	K252 037	6.0	.12	.10	—
				<b>K252 040†‡</b>	K252 041†‡				
57	240	—	—	—	K252 038	6.0	.07	.045	—
59	—	240	—	—	K252 039	6.0	.07	.033	—
<b>23 / 83‡</b>	<b>120</b>	<b>110</b>	—	<b>K252 040‡</b>	K252 041‡	6.0	.12	.10	—

\* Low watt with surge suppression (Blue).

\*\* With Indicator Light, 3.1 Watts.

† Replacement coil when Automotive Option "C", "F", &amp; "G" are specified in the valve model number.

‡ This coil contains an MOV as standard for surge suppression.

## Spool and Body Service Kits

Size	2-Position	3-Position			Kit Includes:
		APB	CE	PC	
H1	PS4001P	PS4002P	PS4003P	PS4004P	Spool with seals, piston seals, return spring and lubricant.
H2	PS4101P	PS4102P	PS4103P	PS4104P	
H3	K232024 * K343094 †	K232021	K323023	K232022	Spool Kit
	K352419 * K352420 †	K352420	K352420	K352420	Valve body o-rings, piston seals and lubricant.
H4	P00186	P00187	P00249	P00359	Spool Kit
	PS1401 * PS1402 †	PS1438	PS1438	PS1438	Valve body o-rings, piston seals and lubricant.

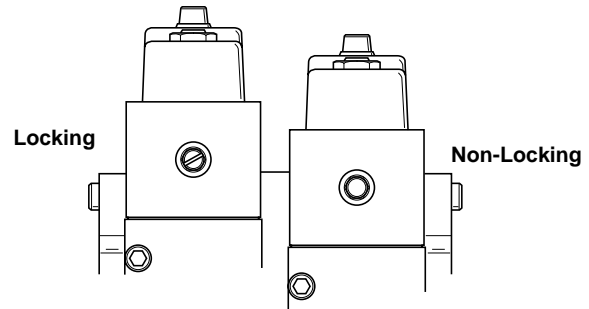
\* Used with Single Solenoid or Single Remote Pilot Valve.  
 † Used with Double Solenoid or Double Remote Pilot Valve.

### 5599-2 5599-1 AUTO

#### Replacement Manual Override

H1	PS1554	Non-Locking
H2	PS1555	Locking
H3	PS1725	Non-Locking
	PS1726	Locking
H4	PS1825	Non-Locking
	PS1826	Locking

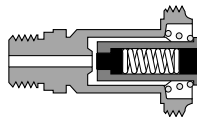
**Includes:** Threaded Collar, Plunger Assembly, Spring and O-Rings



### 5599-2 5599-1 AUTO

#### Plunger & Guide Assembly

K232 025 Standard Voltages  
 K232 049 B9 Low Watt Voltage Code (Blue Coil)

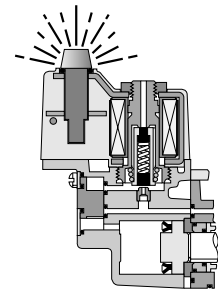


**Includes:** Plunger, Plunger Guide and Spring

### 5599-2 5599-1 AUTO

#### Replacement Indicator Light

K252 008 24VDC  
 K252 009 120VAC



**Includes:** Light and O-ring

### 5599-1 DIN

#### CNOMO Pilot Assembly

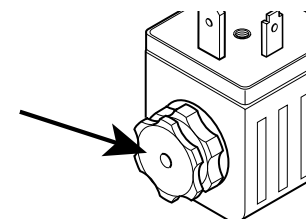
PS1553 Non-Locking Manual Override  
 PS1552 Locking Manual Override

**Includes:** Pilot Assembly, (2) O-rings, (2) Bolts and (1) Diffuser

### 5599-1 DIN

#### Pilot Exhaust Diffuser

PS1556



**Includes:** (5) Diffusers

**"H" Series Cross-Reference Guide**



"H" Series Eng. Level "B"	Suggested isys Replacement	isys Regulator Kit	isys Flow Control Kit	isys Base Kit	Body Kit	Coil Kit
H1015000XXB	H10WX000XXC			PS4011150CP		
H10WX000XXB	H10WX000XXC					
H1113BBL49B	H11WXBBL49C			PS4011130CP	PS3501P	PS2828A49P
H1113BG2B9000CB	H11WXBG2B9000CC			PS4011130CP	PS3501P	PS3541B49P
H1113BGA23B	H11VXBG023C			PS401113ACP	PS3501P	PS3541B53P
H1113BGC23B	H11VXBG023C			PS401113CCP	PS3501P	PS3541B53P
H1114BG8B9001FB	H11VXBG0B9C		PS4035CP	PS4011148FCP	PS3501P	PS3541B49P
H1115BG323000CB	H11WXBG323000CC			PS4011150CP	PS3501P	PS3541A53P
H1115BG323266CB	H11WXBG323000CC	PS4037266CP		PS4011150CP	PS3501P	PS3541A53P
H1115BGA23266B	H11VXBG023C	PS4038266CP		PS401115ACP	PS3501P	PS3541B53P
H1115BGA23B	H11VXBG023C			PS401115ACP	PS3501P	PS3541B53P
H1115BGAB9FB	H11VXBG0B9C			PS401115ACP	PS3501P	PS3541B49P
H1115BGCB9B	H11VXBG0B9C			PS401115CCP	PS3501P	PS3541B49P
H1116BG2B9000FB	H11WXBG2B9000FC			PS4011160CP	PS3501P	PS3541B49P
H1123BGC23B	H11VXBG023C			PS401123CCP	PS3501P	PS3541B53P
H1125BGAB9001B	H11VXBG0B9C		PS4035CP	PS401125ACP	PS3501P	PS3541B49P
H1163BBL49B	H11WXBBL49C			PS4011630CP	PS3501P	PS2828A49P
H1163BH1L49B	H11WXBBL49C			PS4011630CP	PS3501P	PS2828B49P
H1163BCL49B	H11WXBCL49C			PS4011630CP	PS3501P	PS2828A49P
H1163BG2B9000FB	H11WXBG2B9000FC			PS4011630CP	PS3501P	PS3541B49P
H1163BG323000CB	H11WXBG323000CC			PS4011630CP	PS3501P	PS3541A53P
H1163BG3B9000CB	H11WXBG3B9000CC			PS4011630CP	PS3501P	PS3541B49P
H1163BGA23260B	H11VXBG023C	PS4038260CP		PS401163ACP	PS3501P	PS3541B53P
H1163BGA23B	H11VXBG023C			PS401163ACP	PS3501P	PS3541B53P
H1163BGC23B	H11VXBG023C			PS401163CCP	PS3501P	PS3541B53P
H1163BGH23B	H11WXBG023C			PS4011630CP	PS3501P	PS2828A53P
H1163BGJ23B	H11VXBG023C			PS401163JCP	PS3501P	PS3541B53P
H1163BKA23B	H11VXBH023C			PS401163ACP	PS3501P	PS3541E53P
H1163PG323166CB	H11WXXG323000CC	PS4037166CP		PS4011630CP	PS3501P	PS3541A53P
H1164BG2B9000CB	H11WXBG2B9000CC			PS4011640CP	PS3501P	PS3541B49P
H1164BG2B9000GB	H11WXBG2B9000GC			PS4011640CP	PS3501P	PS3541B49P
H1165BBL49B	H11WXBBL49C			PS4011650CP	PS3501P	PS2828A49P
H1165BGA23001B	H11VXBG023C	PS4035CP		PS401165ACP	PS3501P	PS3541B53P
H1165BGA87B	H11VXBB057C			PS401165ACP	PS3501P	PS3541B57P
H1165BGC23B	H11VXBG023C			PS401165CCP	PS3501P	PS3541B53P
H1165BGCB9B	H11VXBG0B9C			PS401165CCP	PS3501P	PS3541B49P
H1165BGJ23B	H11VXBG023C			PS401165JCP	PS3501P	PS3541B53P
H1165BGM9B	H11VXBG0B9C			PS401165MCP	PS3501P	PS3541B49P
H1165BGT9B	H11VXBG0B9C			PS401165TCP	PS3501P	PS3541B49P
H1165BKA23001B	H11VXBH023C	PS4035CP		PS401165ACP	PS3501P	PS3541E53P
H1165BKA23B	H11VXBH023C			PS401165ACP	PS3501P	PS3541E53P
H1166BG2B9000FB	H11WXBG2B9000FC			PS4011660CP	PS3501P	PS3541B49P
H1166BG2B9000GB	H11WXBG2B9000GC			PS4011660CP	PS3501P	PS3541B49P
H1166BG8B9000CB	H11VXBG0B9C			PS4011668CCP	PS3501P	PS3541B49P
H1166BGCB9B	H11VXBG0B9C			PS401166CCP	PS3501P	PS3541B49P
H11A3BBL49166B	H11WXBBL49C	PS4037166CP		P2NGS592SD	PS3501P	PS2828A49P
H11A3BH1L53B	H11WXBBL53C			P2NGS592SD	PS3501P	PS2828B53P
H11A3BG2B9001CB	H11WXBG2B9000CC	PS4042CP		P2NGS592SD	PS3501P	PS3541B49P
H11A3BG3B9000GB	H11WXBG3B9000GC			P2NGS592SD	PS3501P	PS3541B49P
H11A4BBL49B	H11WXBBL49C			P2NGS512SD	PS3501P	PS2828A49P
H11A4BG2B9000CB	H11WXBG2B9000CC			P2NGS512SD	PS3501P	PS3541B49P
H11A4BG323001FB	H11WXBG323000FC	PS4042CP		P2NGS512SD	PS3501P	PS3541A53P
H11VXBG023B	H11VXBG023C				PS3501P	PS3541B53P
H11VXBG0B9B	H11VXBG0B9C				PS3501P	PS3541B49P
H11VXBK023B	H11VXBH023C				PS3501P	PS3541E53P



**"H" Series Cross-Reference Guide**



"H" Series Eng. Level "B"	Suggested isys Replacement	isys Regulator Kit	isys Flow Control Kit	isys Base Kit	Body Kit	Coil Kit
H11WXBBL42B	H11WXBBL42C				PS3501P	PS2828A42P
H11WXBBL49B	H11WXBBL49C				PS3501P	PS2828A49P
H11WXBBL53B	H11WXBBL53C				PS3501P	PS2828A53P
H11WXBH1L42B	H11WXBBL42C				PS3501P	PS2828B42P
H11WXBH1L49B	H11WXBBL49C				PS3501P	PS2828B49P
H11WXBH1L53B	H11WXBBL53C				PS3501P	PS2828B53P
H11WXBCL49B	H11WXBCL49C				PS3501P	PS2828A49P
H11WXBCL53B	H11WXBCL53C				PS3501P	PS2828A53P
H11WXBCL49B	H11WXBCL49C				PS3501P	PS2828B49P
H11WXBCL53B	H11WXBCL53C				PS3501P	PS2828B53P
H11WXBGP49B	H11WXBGP49C				PS3501P	PS3541B49P
H11WXBGP53B	H11WXBGP53C				PS3501P	PS3541A53P
H11WXBGP53B	H11WXBGP53C				PS3501P	PS3541B49P
H11WXBGP53B	H11WXBGP53C				PS3501P	PS2828619P
H11WXBGP53B	H11WXBGP53C				PS3501P	PS3541E53P
H11WXL49B	H11WXL49C				PS3501P	PS2828A49P
H11WXLG2B9000FB	H11WXLG2B9000FC				PS3501P	PS3541B49P
H11WXLG3B9000CB	H11WXLG3B9000CC				PS3501P	PS3541B49P
H11WXP49B	H11WXP49C				PS3501P	PS2828A49P
H11WXP49B	H11WXP49C				PS3501P	PS2828B49P
H1213BBL49B	H1213BBL49C			PS4011130CP	PS3501P	PS2828A49P
H1213BG2B9000CB	H1213BG2B9000CC			PS4011130CP	PS3501P	PS3541B49P
H1213BG2B9001FB	H1213BG2B9001FC		PS4042CP	PS4011130CP	PS3501P	PS3541B49P
H1213BG323000CB	H1213BG323000CC			PS4011130CP	PS3501P	PS3541A53P
H1213BGA23B	H1213BGA23C			PS401113ACP	PS3501P	PS3541B53P
H1213BGC23B	H1213BGC23C			PS401113CCP	PS3501P	PS3541B53P
H1213BGC9B	H1213BGC9C			PS401113CCP	PS3501P	PS3541B49P
H1214BBL57B	H1214BBL57C			PS4011140CP	PS3501P	PS2828A53P
H1214BG2B9000FB	H1214BG2B9000FC			PS4011130CP	PS3501P	PS3541B49P
H1214BG2B9000GB	H1214BG2B9000GC			PS4011130CP	PS3501P	PS3541B49P
H1214BG8B9000FB	H1214BG8B9000FC			PS4011148FCP	PS3501P	PS3541B49P
H1215BG2B9000CB	H1215BG2B9000CC			PS4011150CP	PS3501P	PS3541B49P
H1215BG2B9000FB	H1215BG2B9000FC			PS4011150CP	PS3501P	PS3541B49P
H1215BG323000CB	H1215BG323000CC			PS4011150CP	PS3501P	PS3541A53P
H1215BG323000FB	H1215BG323000FC			PS4011150CP	PS3501P	PS3541A53P
H1215BG3B9000CB	H1215BG3B9000CC			PS4011150CP	PS3501P	PS3541B49P
H1215BG923000CB	H1215BG923000CC			PS4011159CCP	PS3501P	PS3541B53P
H1215BGA23001B	H1215BGA23001C		PS4035CP	PS401115ACP	PS3501P	PS3541B53P
H1215BGA23B	H1215BGA23C			PS401115ACP	PS3501P	PS3541B53P
H1215BGAB9B	H1215BGAB9C			PS401115ACP	PS3501P	PS3541B49P
H1215BGC23001B	H1215BGC23001C		PS4035CP	PS401115CCP	PS3501P	PS3541B53P
H1215BGC23B	H1215BGC23C			PS401115CCP	PS3501P	PS3541B53P
H1215BGC9B266B	H1215BGC9B266C		PS4038266CP	PS401115CCP	PS3501P	PS3541B49P
H1215BGC9B	H1215BGC9C			PS401115CCP	PS3501P	PS3541B49P
H1216BG2B9000CB	H1216BG2B9000CC			PS4011160CP	PS3501P	PS3541B49P
H1216BG2B9000FB	H1216BG2B9000FC			PS4011160CP	PS3501P	PS3541B49P
H1216BG323000CB	H1216BG323000CC			PS4011160CP	PS3501P	PS3541A53P
H1223BBL53B	H1223BBL53C			PS4011230CP	PS3501P	PS2828A53P
H1223BG3B9000CB	H1223BG3B9000CC			PS4011230CP	PS3501P	PS3541B49P
H1223BGC23B	H1223BGC23C			PS401123CCP	PS3501P	PS3541B53P
H1225BG323000CB	H1225BG323000CC			PS4011250CP	PS3501P	PS3541A53P
H1225BG3B9000CB	H1225BG3B9000CC			PS4011250CP	PS3501P	PS3541B49P
H1225BG619166FB	H1225BG619166FC		PS4037166CP	PS4011250CP	PS3501P	PS2828619P
H1225BGC23B	H1225BGC23C			PS401125CCP	PS3501P	PS3541B53P
H1263BBL49001B	H1263BBL49001C		PS4042CP	PS4011630CP	PS3501P	PS2828A49P

**"H" Series Cross-Reference Guide**



"H" Series Eng. Level "B"	Suggested isys Replacement	isys Regulator Kit	isys Flow Control Kit	isys Base Kit	Body Kit	Coil Kit
H1263BH1L53001B	H12WXBBL53C		PS4042CP	PS4011630CCP	PS3501P	PS2828B53P
H1263BCL49B	H12WXBCL49C			PS4011630CP	PS3501P	PS2828A49P
H1263BG2B9000CB	H12WXBG2B9000CC			PS4011630CP	PS3501P	PS3541B49P
H1263BG2B9000FB	H12WXBG2B9000FC			PS4011630CP	PS3501P	PS3541B49P
H1263BG2B9001FB	H12WXBG2B9000FC		PS4042CP	PS4011630CP	PS3501P	PS3541B49P
H1263BG2B9166CB	H12WXBG2B9000CC	PS4037166CP		PS4011630CP	PS3501P	PS3541B49P
H1263BG323000CB	H12WXBG323000CC			PS4011630CP	PS3501P	PS3541A53P
H1263BG3B9166CB	H12WXBG3B9000CC	PS4037166CP		PS4011630CP	PS3501P	PS3541B49P
H1263BG4B9000CB	H12WXBG2B9000CC			PS4011630CP	PS3501P	PS3541B49P
H1263BGA23B	H12VXBG023C			PS401163ACP	PS3501P	PS3541B53P
H1263BGAB9B	H12VXBG0B9C			PS401163ACP	PS3501P	PS3541B49P
H1263BGC23B	H12VXBG023C			PS401163CCP	PS3501P	PS3541B53P
H1263BGCB9B	H12VXBG0B9C			PS401163CCP	PS3501P	PS3541B49P
H1263BKA23B	H12VXBH023C			PS401163ACP	PS3501P	PS3541E53P
H1263BM2B9000FB	H12WXBG2B9000FC			PS4011630CP	PS3501P	PS3541B49P
H1263BM2B9466FB	H12WXBG2B9000FC	PS4037166CP	PS4142CP	PS4011630CP	PS3501P	PS3541B49P
H1263PG323166CB	H12WXXG323000CC	PS4037166CP		PS4011630CP	PS3501P	PS3541A53P
H1263PG3B9000GB	H12WXXG3B9000GC			PS4011630CP	PS3501P	PS3541B49P
H1264BG2B9000CB	H12WXBG2B9000CC			PS4011640CP	PS3501P	PS3541B49P
H1264BG2B9000FB	H12WXBG2B9000FC			PS4011640CP	PS3501P	PS3541B49P
H1264BG2B9001FB	H12WXBG2B9000FC		PS4042CP	PS4011640CP	PS3501P	PS3541B49P
H1264BG2B9260FB	H12WXBG2B9000FC	PS4037260CP		PS4011640CP	PS3501P	PS3541B49P
H1264BG2B9366FB	H12WXBG2B9000FC	PS4037366CP		PS4011640CP	PS3501P	PS3541B49P
H1264BG619000FB	H12WXBG619FC			PS4011640CP	PS3501P	PS2828619P
H1264BG619166FB	H12WXBG619FC	PS4037166CP		PS4011640CP	PS3501P	PS2828619P
H1264BG8B9000CB	H12VXBG0B9C			PS4011648CCP	PS3501P	PS3541B49P
H1264BGM9166B	H12VXBG0B9C	PS4038155CP		PS401164MCP	PS3501P	PS3541B49P
H1264BGM9B	H12VXBG0B9C			PS401164MCP	PS3501P	PS3541B49P
H1265BBL49B	H12WXBBL49C			PS4011650CP	PS3501P	PS2828A49P
H1265BBL49BL	H12WXBBL49C			PS4011650CP	PS3501P	PS2828A49P
H1265BBL53B	H12WXBBL53C			PS4011650CP	PS3501P	PS2828A53P
H1265BG2B9000CB	H12WXBG2B9000CC			PS4011650CP	PS3501P	PS3541B49P
H1265BG2B9000FB	H12WXBG2B9000FC			PS4011650CP	PS3501P	PS3541B49P
H1265BG2B9000GB	H12WXBG2B9000GC			PS4011650CP	PS3501P	PS3541B49P
H1265BG323000CB	H12WXBG323000CC			PS4011650CP	PS3501P	PS3541A53P
H1265BG323000FB	H12WXBG323000FC			PS4011650CP	PS3501P	PS3541A53P
H1265BG383000FB	H12WXBG323000FC			PS4011650CP	PS3501P	PS3541B53P
H1265BG3B9000CB	H12WXBG3B9000CC			PS4011650CP	PS3501P	PS3541B49P
H1265BG3B9000FB	H12WXBG3B9000FC			PS4011650CP	PS3501P	PS3541B49P
H1265BG619000FB	H12WXBG619FC			PS4011650CP	PS3501P	PS2828619P
H1265BGA23B	H12VXBG023C			PS401165ACP	PS3501P	PS3541B53P
H1265BGAB9001B	H12VXBG0B9C	PS4035CP		PS401165ACP	PS3501P	PS3541B49P
H1265BGAB9B	H12VXBG0B9C			PS401165ACP	PS3501P	PS3541B49P
H1265BGC19B	H12VXBG0B9C			PS401165CCP	PS3501P	PS2828A49P
H1265BGC23B	H12VXBG023C			PS401165CCP	PS3501P	PS3541B53P
H1265BGCB9B	H12VXBG0B9C			PS401165CCP	PS3501P	PS3541B49P
H1265BGM23B	H12VXBG023C			PS401165MCP	PS3501P	PS3541B53P
H1265BGM9B	H12VXBG0B9C			PS401165MCP	PS3501P	PS3541B49P
H1265BGTB9B	H12VXBG0B9C			PS401165TCP	PS3501P	PS3541B49P
H1265BKA23001B	H12VXBH023C	PS4035CP		PS401165ACP	PS3501P	PS3541E53P
H1265BKA23166B	H12VXBH023C	PS4038166CP		PS401165ACP	PS3501P	PS3541E53P
H1265BKA23B	H12VXBH023C			PS401165ACP	PS3501P	PS3541E53P
H1265BKC23B	H12VXBH023C			PS401165CCP	PS3501P	PS3541E53P
H1265PG2B9000FB	H12WXXG2B9000FC			PS4011650CP	PS3501P	PS3541B49P
H1266BBL49206B	H12WXBBL49C	PS4037206CP		PS4011660CP	PS3501P	PS2828A49P

**"H" Series Cross-Reference Guide**



"H" Series Eng. Level "B"	Suggested isys Replacement	isys Regulator Kit	isys Flow Control Kit	isys Base Kit	Body Kit	Coil Kit
H1266BBL49B	H12WXBBL49C			PS4011660CP	PS3501P	PS2828A49P
H1266BG2B9000CB	H12WXBG2B9000CC			PS4011660CP	PS3501P	PS3541B49P
H1266BG2B9000FB	H12WXBG2B9000FC			PS4011660CP	PS3501P	PS3541B49P
H1266BG2B9000GB	H12WXBG2B9000GC			PS4011660CP	PS3501P	PS3541B49P
H1266BG2B9166FB	H12WXBG2B9000FC	PS4037166CP		PS4011660CP	PS3501P	PS3541B49P
H1266BG2B9199FB	H12WXBG2B9000FC	PS4037199CP		PS4011660CP	PS3501P	PS3541B49P
H1266BG8B9000CB	H12VXBG0B9C			PS4011668CCP	PS3501P	PS3541B49P
H1266BGCB9B	H12VXBG0B9C			PS401166CCP	PS3501P	PS3541B49P
H1266BGMB9B	H12VXBG0B9C			PS401155MCP	PS3501P	PS3541B49P
H1266BGVB9B	H12VXBGV9B9C			PS401155MCP	PS3501P	PS3541B49P
H12A3BBL49B	H12WXBBL49C			P2NGS592SD	PS3501P	PS2828A49P
H12A3BBL53B	H12WXBBL53C			P2NGS592SD	PS3501P	PS2828A53P
H12A3BG2B9166CB	H12WXBG2B9000CC	PS4037166CP		P2NGS592SD	PS3501P	PS3541B49P
H12A3BG323000CB	H12WXBG323000CC			P2NGS592SD	PS3501P	PS3541A53P
H12A3BG3B9000GB	H12WXBG3B9000GC			P2NGS592SD	PS3501P	PS3541B49P
H12A3BG619000FB	H12WXBG619FC			P2NGS592SD	PS3501P	PS2828619P
H12A4BBL49B	H12WXBBL49C			P2NGS512SD	PS3501P	PS2828A49P
H12A4BG2B9000FB	H12WXBG2B9000FC			P2NGS512SD	PS3501P	PS3541B49P
H12A4BG2B9001FB	H12WXBG2B9000FC		PS4042CP	P2NGS512SD	PS3501P	PS3541B49P
H12A4BG323000FB	H12WXBG323000FC			P2NGS512SD	PS3501P	PS3541A53P
H12A4BG619000FB	H12WXBG619FC			P2NGS512SD	PS3501P	PS2828619P
H12F4BBL49B	H12WXBBL49C			P2NGS512SB	PS3501P	
H12VXBG023B	H12VXBG023C				PS3501P	PS3541B53P
H12VXBG0B9B	H12VXBG0B9C				PS3501P	PS3541B49P
H12VXBK023B	H12VXBH023C				PS3501P	PS3541E53P
H12VXB0B9B	H12VXBG0B9C				PS3501P	PS3541B49P
H12VXPG0B9B	H12VXXG0B9C				PS3501P	PS3541B49P
H12WXB0NXXB	H12WXX0NXXC				PS3501P	
H12WXBBL49B	H12WXBBL49C				PS3501P	PS2828A49P
H12WXBBL49BL	H12WXBBL49C				PS3501P	PS2828A49P
H12WXBBL53001B	H12WXBBL53C		PS4042CP		PS3501P	PS2828A53P
H12WXBBL53B	H12WXBBL53C				PS3501P	PS2828A53P
H12WXBH1L42B	H12WXBBL42C				PS3501P	PS2828B42P
H12WXBH1L49B	H12WXBBL49C				PS3501P	PS2828B49P
H12WXBH1L53001B	H12WXBBL53C		PS4042CP		PS3501P	PS2828B53P
H12WXBH1L53B	H12WXBBL53C				PS3501P	PS2828B53P
H12WXBCL53B	H12WXBCL53C				PS3501P	PS2828A53P
H12WXBG2B9000CB	H12WXBG2B9000CC				PS3501P	PS3541B49P
H12WXBG2B9000FB	H12WXBG2B9000FC				PS3501P	PS3541B49P
H12WXBG2B9000GB	H12WXBG2B9000GC				PS3501P	PS3541B49P
H12WXBG323000CB	H12WXBG323000CC				PS3501P	PS3541A53P
H12WXBG323000FB	H12WXBG323000FC				PS3501P	PS3541A53P
H12WXBG323000GB	H12WXBG323000GC				PS3501P	PS3541A53P
H12WXBG3B9000CB	H12WXBG3B9000CC				PS3501P	PS3541B49P
H12WXBG3B9000FB	H12WXBG3B9000FC				PS3501P	PS3541B49P
H12WXBG3B9000GB	H12WXBG3B9000GC				PS3501P	PS3541B49P
H12WXBG4B9000FB	H12WXBG2B9000FC				PS3501P	PS3541B49P
H12WXBG523001CB	H12WXBG323000CC		PS4042CP		PS3501P	PS3541A53P
H12WXBG5B9000CB	H12WXBG2B9000CC				PS3501P	PS3541B49P
H12WXBG619000FB	H12WXBG619FC				PS3501P	PS2828619P
H12WXBGHB9B	H12WXBG0B9C				PS3501P	PS3541B49P
H12WXBK323001FB	H12WXBH323000FC		PS4042CP		PS3501P	PS3541E53P
H12WXL53B	H12WXXBL53C				PS3501P	PS2828A53P
H12WXLG2B9000FB	H12WXXG2B9000FC				PS3501P	PS3541B49P
H12WXLG323000GB	H12WXXG323000GC				PS3501P	PS3541A53P

**"H" Series Cross-Reference Guide**



"H" Series Eng. Level "B"	Suggested isys Replacement	isys Regulator Kit	isys Flow Control Kit	isys Base Kit	Body Kit	Coil Kit
H12WXLG619000FB	H12WXXG619FC				PS3501P	PS2828619P
H12WXPBL53B	H12WXXBL53C				PS3501P	PS2828A53P
H12WXPCL53B	H12WXXCL53C				PS3501P	PS2828A53P
H12WXPB2B9000CB	H12WXXG2B9000CC				PS3501P	PS3541B49P
H12WXPB2B9000FB	H12WXXG2B9000FC				PS3501P	PS3541B49P
H12WXPB323000CB	H12WXXG323000CC				PS3501P	PS3541A53P
H12WXPB323000GB	H12WXXG323000GC				PS3501P	PS3541A53P
H12WXPB3B9000CB	H12WXXG3B9000CC				PS3501P	PS3541B49P
H12WXPB523000CB	H12WXXG323000CC				PS3501P	PS3541A53P
H12WXPB619000FB	H12WXXG619FC				PS3501P	PS2828619P
H13A3000XXB	H13WX000XXC			PS4011130CP	PS3501P	
H13VX000XXB	H13WX000XXC				PS3501P	
H13WX000XXB	H13WX000XXC				PS3501P	
H13WXL00XXB	H13WXX00XXC				PS3501P	
H1413000XXB	H14WX000XXC			PS4011130CP	PS3501P	
H1415000XXB	H14WX000XXC			PS4011150CP	PS3501P	
H14C4000XXB	H14WX000XXC				PS3501P	
H14VX000XXB	H14WX000XXC				PS3501P	
H14WX000XXB	H14WX000XXC				PS3501P	
H1513BG323000FB	H15WXBG323000FC			PS4011130CP	PS3502P	PS3541A53P
H1513BGC23466B	H15VXBG023C	PS4038166CP	PS4035CP	PS401113CCP	PS3502P	PS3541B53P
H1513BGC23B	H15VXBG023C			PS401113CCP	PS3502P	PS3541B53P
H1513LBL53206B	H15WXXBL53C	PS4037206CP		PS4011130CP	PS3502P	PS2828A53P
H1513LBL53B	H15WXXBL53C			PS4011130CP	PS3502P	PS2828A53P
H1515BBL49B	H15WXBBL49C			PS4011150CP	PS3502P	PS2828A49P
H1515BBL53B	H15WXBBL53C			PS4011150CP	PS3502P	PS2828A53P
H1515BBL57B	H15WXBBL57C			PS4011150CP	PS3502P	PS2828A53P
H1515BG2B9000CB	H15WXBG2B9000CC			PS4011150CP	PS3502P	PS3541B49P
H1515BG323000FBL	H15WXBG323000FC			PS4011150CP	PS3502P	PS3541A53P
H1515BGA23B	H15VXBG023C			PS401115ACP	PS3502P	PS3541B53P
H1515BGC23B	H15VXBG023C			PS401115CCP	PS3502P	PS3541B53P
H1515PGC23B	H15VXXG023C			PS401115CCP	PS3502P	PS3541B53P
H1563BBL49001B	H15WXBBL49C		PS4042CP	PS4011630CP	PS3502P	PS2828A49P
H1563BBL53001B	H15WXBBL53C		PS4042CP	PS4011630CP	PS3502P	PS2828A53P
H1563BG323000FB	H15WXBG323000FC			PS4011630CP	PS3502P	PS3541A53P
H1563BGA23B	H15VXBG023C			PS401163ACP	PS3502P	PS3541B53P
H1563BGAB9B	H15VXBG0B9C			PS401163ACP	PS3502P	PS3541B49P
H1563BGC23466B	H15VXBG023C	PS4038166CP	PS4035CP	PS401163CCP	PS3502P	PS3541B53P
H1563BGM23260B	H15VXBG023C	PS4038260CP		PS401163MCP	PS3502P	PS3541B53P
H1563BGMB9260B	H15VXBG0B9C	PS4038260CP		PS401163MCP	PS3502P	PS3541B49P
H1563BGMB9B	H15VXBG0B9C			PS401163MCP	PS3502P	PS3541B49P
H1564BG2B9000CB	H15WXBG2B9000CC			PS4011640CP	PS3502P	PS3541B49P
H1564BGMB9B	H15VXBG0B9C			PS401164MCP	PS3502P	PS3541B49P
H1565BBL49BL	H15WXBBL49C			PS4011650CP	PS3502P	PS2828A49P
H1565BG2B9000CB	H15WXBG2B9000CC			PS4011650CP	PS3502P	PS3541B49P
H1565BG2B9000FB	H15WXBG2B9000FC			PS4011650CP	PS3502P	PS3541B49P
H1565BG3B9166CB	H15WXBG3B9000CC	PS4037166CP		PS4011650CP	PS3502P	PS3541B49P
H1565BG8B9000CB	H15VXBG0B9C			PS4011658CCP	PS3502P	PS3541B49P
H1565BGA87B	H15VXBB057C			PS401165ACP	PS3502P	PS3541B57P
H1565BGC23B	H15VXBG023C			PS401165CCP	PS3502P	PS3541B53P
H1565BGCB9B	H15VXBG0B9C			PS401165CCP	PS3502P	PS3541B49P
H1565BGMB9260B	H15VXBG0B9C	PS4038260CP		PS401165MCP	PS3502P	PS3541B49P
H1565BGMB9266B	H15VXBG0B9C	PS4038266CP		PS401165MCP	PS3502P	PS3541B49P
H1565BGMB9B	H15VXBG0B9C			PS401165MCP	PS3502P	PS3541B49P
H1565BGVB9B	H15VXBGVB9C			PS4011650CP	PS3502P	PS3541B49P

**"H" Series Cross-Reference Guide**



"H" Series Eng. Level "B"	Suggested isys Replacement	isys Regulator Kit	isys Flow Control Kit	isys Base Kit	Body Kit	Coil Kit
H1565PG2B9000FB	H15WXXG2B9000FC			PS4011650CP	PS3502P	PS3541B49P
H1566BBL49B	H15WXBBL49C			PS4011660CP	PS3502P	PS2828A49P
H1566BG2B9000FB	H15WXBG2B9000FC			PS4011660CP	PS3502P	PS3541B49P
H1566BG2B9166FB	H15WXBG2B9000FC	PS4037166CP		PS4011660CP	PS3502P	PS3541B49P
H1566BG8B9000CB	H15VXBG0B9C			PS4011668CCP	PS3502P	PS3541B49P
H15A3BG323000FB	H15WXBG323000FC			P2NGS592SD	PS3502P	PS3541A53P
H15A3BG323000FBL	H15WXBG323000FC			P2NGS592SD	PS3502P	PS3541A53P
H15A3BG3B9000FBL	H15WXBG3B9000FC			P2NGS592SD	PS3502P	PS3541B49P
H15A3BG3B9000GB	H15WXBG3B9000GC			P2NGS592SD	PS3502P	PS3541B49P
H15A4BBL49B	H15WXBBL49C			P2NGS512SD	PS3502P	PS2828A49P
H15B3BG2B9000CB	H15VXBG2B9C			P2NVS512SD	PS3502P	
H15VXBG023B	H15VXBG023C				PS3502P	PS3541B53P
H15VXBG0B9B	H15VXBG0B9C				PS3502P	PS3541B49P
H15VXBM023B	H15VXBG023C				PS3502P	PS3541B53P
H15VXPG023B	H15VXXG023C				PS3502P	PS3541B53P
H15VXPG0B9B	H15VXXG0B9C				PS3502P	PS3541B49P
H15WXB0NXXB	H15WXX0NXXC				PS3502P	
H15WXBBL49B	H15WXBBL49C				PS3502P	PS2828A49P
H15WXBBL53B	H15WXBBL53C				PS3502P	PS2828A53P
H15WXBBL57B	H15WXBBL57C				PS3502P	PS2828A53P
H15WXBH1L42B	H15WXBBL42C				PS3502P	PS2828B42P
H15WXBH1L49B	H15WXBBL49C				PS3502P	PS2828B49P
H15WXBH1L53B	H15WXBBL53C				PS3502P	PS2828B53P
H15WXBCL53B	H15WXBCL53C				PS3502P	PS2828A53P
H15WXBG2B9000CB	H15WXBG2B9000CC				PS3502P	PS3541B49P
H15WXBG2B9000FB	H15WXBG2B9000FC				PS3502P	PS3541B49P
H15WXBG2B9000GB	H15WXBG2B9000GC				PS3502P	PS3541B49P
H15WXBG323000CB	H15WXBG323000CC				PS3502P	PS3541A53P
H15WXBG323000FB	H15WXBG323000FC				PS3502P	PS3541A53P
H15WXBG323000GB	H15WXBG323000GC				PS3502P	PS3541A53P
H15WXBG3B9000CB	H15WXBG3B9000CC				PS3502P	PS3541B49P
H15WXBG3B9000FB	H15WXBG3B9000FC				PS3502P	PS3541B49P
H15WXBG3B9000FBL	H15WXBG3B9000FC				PS3502P	PS3541B49P
H15WXBG3B9000GB	H15WXBG3B9000GC				PS3502P	PS3541B49P
H15WXBG523000CB	H15WXBG323000CC				PS3502P	PS3541A53P
H15WXBG5B9000CB	H15WXBG2B9000CC				PS3502P	PS3541B49P
H15WXBG619000FB	H15WXBG619FC				PS3502P	PS2828619P
H15WXLG3B9000GB	H15WXXG3B9000GC				PS3502P	PS3541B49P
H15WXPBL49B	H15WXXBL49C				PS3502P	PS2828A49P
H15WXPBL53B	H15WXXBL53C				PS3502P	PS2828A53P
H15WXLH1L53B	H15WXXBL53C				PS3502P	PS2828B53P
H15WXPCL53B	H15WXXCL53C				PS3502P	PS2828A53P
H15WXPB9000FB	H15WXXG2B9000FC				PS3502P	PS3541B49P
H15WXPB323000CB	H15WXXG323000CC				PS3502P	PS3541A53P
H1613BBL53166B	H16WXBBL53C	PS4037166CP		PS4011130CP	PS3503P	PS2828A53P
H1613BGCB9001B	H16VXBG0B9C		PS4035CP	PS401113CCP	PS3503P	PS3541B49P
H1613BGCB9B	H16VXBG0B9C			PS401113CCP	PS3503P	PS3541B49P
H1614BG2B9000FB	H16WXBG2B9000FC			PS4011130CP	PS3503P	PS3541B49P
H1615BBL49B	H16WXBBL49C			PS4011150CP	PS3503P	PS2828A49P
H1615BBL53B	H16WXBBL53C			PS4011150CP	PS3503P	PS2828A53P
H1615BH1L53266B	H16WXBBL53C	LS4037266CP		PS4011150CP	PS3503P	PS2828B53P
H1615BG3B9166CB	H16WXBG3B9000CC	PS4037166CP		PS4011150CP	PS3503P	PS3541B49P
H1615BGA23B	H16VXBG023C			PS401115ACP	PS3503P	PS3541B53P
H1616BG2B9000CB	H16WXBG2B9000CC			PS4011160CP	PS3503P	PS3541B49P
H1616BG2B9000FB	H16WXBG2B9000FC			PS4011160CP	PS3503P	PS3541B49P

**"H" Series Cross-Reference Guide**



"H" Series Eng. Level "B"	Suggested isys Replacement	isys Regulator Kit	isys Flow Control Kit	isys Base Kit	Body Kit	Coil Kit
H1616BG2B9206FB	H16WXBG2B9000FC	PS4037206CP		PS4011160CP	PS3503P	PS3541B49P
H1616BG619000FB	H16WXBG619FC			PS4011160CP	PS3503P	PS2828619P
H1624BG2B9000CB	H16WXBG2B9000CC			PS4011240CP	PS3503P	PS3541B49P
H1625BG323266CB	H16WXBG323000CC	PS4037266CP		PS4011250CP	PS3503P	PS3541A53P
H1663BG323000FB	H16WXBG323000FC			PS4011630CP	PS3503P	PS3541A53P
H1663BG3B9000GB	H16WXBG3B9000GC			PS4011630CP	PS3503P	PS3541B49P
H1663BGA23B	H16VXBG023C			PS401163ACP	PS3503P	PS3541B53P
H1663BGC23466B	H16VXBG023C	PS4038166CP	PS4035CP	PS401163CCP	PS3503P	PS3541B53P
H1663BGC23B	H16VXBG023C			PS401163CCP	PS3503P	PS3541B53P
H1663BGC9466B	H16VXBG0B9C	PS4038166CP	PS4035CP	PS401163CCP	PS3503P	PS3541B49P
H1663BGCB9B	H16VXBG0B9C			PS401163CCP	PS3503P	PS3541B49P
H1664BG2B9000CB	H16WXBG2B9000CC			PS4011640CP	PS3503P	PS3541B49P
H1664BG2B9000FB	H16WXBG2B9000FC			PS4011640CP	PS3503P	PS3541B49P
H1664BG2B9255FB	H16WXBG2B9000FC	PS4037255CP		PS4011640CP	PS3503P	PS3541B49P
H1664BG2B9266FB	H16WXBG2B9000FC	PS4037266CP		PS4011640CP	PS3503P	PS3541B49P
H1664BG3B9000FB	H16WXBG3B9000FC			PS4011640CP	PS3503P	PS3541B49P
H1664BG3B9299FB	H16WXBG3B9000FC	PS4037299CP		PS4011640CP	PS3503P	PS3541B49P
H1664BGMB9B	H16VXBG0B9C			PS401164MCP	PS3503P	PS3541B49P
H1664BM2B9166FB	H16WXBG2B9000FC	PS4037166CP		PS4011640CP	PS3503P	PS3541B49P
H1664PG2B9000FB	H16WXXG2B9000FC			PS4011640CP	PS3503P	PS3541B49P
H1665BBL49B	H16WXBBL49C			PS4011650CP	PS3503P	PS2828A49P
H1665BG2B9000FB	H16WXBG2B9000FC			PS4011650CP	PS3503P	PS3541B49P
H1665BG2B9166FB	H16WXBG2B9000FC	PS4037166CP		PS4011650CP	PS3503P	PS3541B49P
H1665BG2B9266CB	H16WXBG2B9000CC	PS4037266CP		PS4011650CP	PS3503P	PS3541B49P
H1665BG323001FB	H16WXBG323000FC		PS4042CP	PS4011650CP	PS3503P	PS3541A53P
H1665BG323266CB	H16WXBG323000CC	PS4037266CP		PS4011650CP	PS3503P	PS3541A53P
H1665BG323266FB	H16WXBG323000FC	PS4037266CP		PS4011650CP	PS3503P	PS3541A53P
H1665BG383000FB	H16WXBG323000FC			PS4011650CP	PS3503P	PS3541B53P
H1665BG3B9166CB	H16WXBG3B9000CC	PS4037166CP		PS4011650CP	PS3503P	PS3541B49P
H1665BG8B9260CB	H16VXBG0B9C	PS4038260CP		PS4011658CCP	PS3503P	PS3541B49P
H1665BG8B9266CB	H16VXBG0B9C	PS4038266CP		PS4011658CCP	PS3503P	PS3541B49P
H1665BGA23001B	H16VXBG023C		PS4035CP	PS401165ACP	PS3503P	PS3541B53P
H1665BGAB9266B	H16VXBG0B9C	PS4038266CP		PS401165ACP	PS3503P	PS3541B49P
H1665BGC23B	H16VXBG023C			PS401165CCP	PS3503P	PS3541B53P
H1665BGC9B	H16VXBG0B9C			PS401165CCP	PS3503P	PS3541B49P
H1665BGMB9B	H16VXBG0B9C			PS401165MCP	PS3503P	PS3541B49P
H1666BG2B9000FB	H16WXBG2B9000FC			PS4011660CP	PS3503P	PS3541B49P
H1666BG2B9000GB	H16WXBG2B9000GC			PS4011660CP	PS3503P	PS3541B49P
H1666BG2B9166FB	H16WXBG2B9000FC	PS4037166CP		PS4011660CP	PS3503P	PS3541B49P
H1666BG2B91MMFB		PS40381MMCP		PS4011660CP	PS3503P	PS3541B49P
H1666BG2B9206FB	H16WXBG2B9000FC	PS4037206CP		PS4011660CP	PS3503P	PS3541B49P
H1666BG2B9260FB	H16WXBG2B9000FC	PS4037260CP		PS4011660CP	PS3503P	PS3541B49P
H1666BG2B9266FB	H16WXBG2B9000FC	PS4037266CP		PS4011660CP	PS3503P	PS3541B49P
H1666BG2B9299FB	H16WXBG2B9000FC	PS4037299CP		PS4011660CP	PS3503P	PS3541B49P
H1666BG8B9000CB	H16VXBG0B9C			PS4011668CCP	PS3503P	PS3541B49P
H1666BGC23206B	H16VXBG023C	PS4038206CP		PS401166CCP	PS3503P	PS3541B53P
H1666BGC9B155B	H16VXBG0B9C	PS4038144CP		PS401166CCP	PS3503P	PS3541B49P
H1666BGC9266B	H16VXBG0B9C	PS4038266CP		PS401166CCP	PS3503P	PS3541B49P
H1666BGC9B	H16VXBG0B9C			PS401166CCP	PS3503P	PS3541B49P
H1666BGMB9266B	H16VXBG0B9C	PS4038266CP		PS401155MCP	PS3503P	PS3541B49P
H1666BM8B9166FB	H16VXBG0B9C	PS4038166CP		PS4011668CCP	PS3503P	PS3541B49P
H1666LG2B9000FB	H16WXXG2B9000FC			PS4011660CP	PS3503P	PS3541B49P
H16A3BG323000CB	H16WXBG323000CC			P2NGS592SD	PS3503P	PS3541A53P
H16A3BG3B9000GB	H16WXBG3B9000GC			P2NGS592SD	PS3503P	PS3541B49P
H16A4BG2B9000FB	H16WXBG2B9000FC			P2NGS512SD	PS3503P	PS3541B49P

**"H" Series Cross-Reference Guide**



"H" Series Eng. Level "B"	Suggested isys Replacement	isys Regulator Kit	isys Flow Control Kit	isys Base Kit	Body Kit	Coil Kit
H16B3B0NXXBL	H16VXX0NXXC			P2NVS512SD	PS3503P	
H16B3BG2B9000CB	H16VXBG2B9C			P2NVS512SD	PS3503P	
H16F4BG2B9000FB	H16WXBG2B9000FC			P2NGS512SB	PS3503P	
H16VXBG019B	H16VXBG0B9C				PS3503P	PS2828A49P
H16VXBG023B	H16VXBG023C				PS3503P	PS3541B53P
H16VXBG0B9B	H16VXBG0B9C				PS3503P	PS3541B49P
H16VXBK023B	H16VXBH023C				PS3503P	PS3541E53P
H16VXBM0B9B	H16VXBG0B9C				PS3503P	PS3541B49P
H16VXPG023B	H16VXXG023C				PS3503P	PS3541B53P
H16VXPG0B9B	H16VXXG0B9C				PS3503P	PS3541B49P
H16WXB0NXXB	H16WXX0NXXC				PS3503P	
H16WXB0NXXBL					PS3503P	
H16WXBBL49B	H16WXBBL49C				PS3503P	PS2828A49P
H16WXBBL49BL	H16WXBBL49C				PS3503P	PS2828A49P
H16WXBBL53B	H16WXBBL53C				PS3503P	PS2828A53P
H16WXBH1L53B	H16WXBBL53C				PS3503P	PS2828B53P
H16WXBCL53B	H16WXBCL53C				PS3503P	PS2828A53P
H16WXBG2B9000CB	H16WXBG2B9000CC				PS3503P	PS3541B49P
H16WXBG2B9000FB	H16WXBG2B9000FC				PS3503P	PS3541B49P
H16WXBG2B9000GB	H16WXBG2B9000GC				PS3503P	PS3541B49P
H16WXBG323000CB	H16WXBG323000CC				PS3503P	PS3541A53P
H16WXBG323000FB	H16WXBG323000FC				PS3503P	PS3541A53P
H16WXBG383000FB	H16WXBG323000FC				PS3503P	PS3541B53P
H16WXBG3B9000CB	H16WXBG3B9000CC				PS3503P	PS3541B49P
H16WXBG3B9000GB	H16WXBG3B9000GC				PS3503P	PS3541B49P
H16WXBG523000CB	H16WXBG323000CC				PS3503P	PS3541A53P
H16WXBG619000FB	H16WXBG619FC				PS3503P	PS2828619P
H16WXBGV23B	H16WXBGV23C				PS3503P	PS2828A53P
H16WXFG2B9000FB	H16WXBG2B9000FC				PS3503P	PS3541B49P
H16WXLH1L53B	H16WXXBL53C				PS3503P	PS2828B53P
H16WXLG2B9000FB	H16WXXG2B9000FC				PS3503P	PS3541B49P
H16WXLG323000FB	H16WXXG323000FC				PS3503P	PS3541A53P
H16WXLG523000CB	H16WXXG323000CC				PS3503P	PS3541A53P
H16WXPBL49B	H16WXXBL49C				PS3503P	PS2828A49P
H16WXPB2B9000CB	H16WXXG2B9000CC				PS3503P	PS3541B49P
H16WXPB2B9000FB	H16WXXG2B9000FC				PS3503P	PS3541B49P
H16WXPB323000CB	H16WXXG323000CC				PS3503P	PS3541A53P
H16WXPB323000FB	H16WXXG323000FC				PS3503P	PS3541A53P
H16WXPB523000CB	H16WXXG323000CC				PS3503P	PS3541A53P
H16WXPB619000FB	H16WXXG619FC				PS3503P	PS2828619P
H1724BG2B9000CB	H17WXBG2B9000CC			PS4011240CP	PS3504P	PS3541B49P
H1763BKA23B	H17VXBH023C			PS401163ACP	PS3504P	PS3541E53P
H1764BG2B9000CB	H17WXBG2B9000CC			PS4011640CP	PS3504P	PS3541B49P
H1764BG2B9000FB	H17WXBG2B9000FC			PS4011640CP	PS3504P	PS3541B49P
H1765BG383000FB	H17WXBG323000FC			PS4011650CP	PS3504P	PS3541B53P
H1765BG383299FB	H17WXBG323000FC	PS4037299CP		PS4011650CP	PS3504P	PS3541B53P
H1765BG8B9000CB	H17VXBG0B9C			PS4011658CCP	PS3504P	PS3541B49P
H1765BGVB9B	H17VXBGVB9C			PS4011650CP	PS3504P	PS3541B49P
H1766BBL49B	H17WXBBL49C			PS4011660CP	PS3504P	PS2828A49P
H1766BG2B9000FB	H17WXBG2B9000FC			PS4011660CP	PS3504P	PS3541B49P
H1766BG2B9000GB	H17WXBG2B9000GC			PS4011660CP	PS3504P	PS3541B49P
H1766BG2B9206FB	H17WXBG2B9000FC	PS4037206CP		PS4011660CP	PS3504P	PS3541B49P
H1766BG2B9260FB	H17WXBG2B9000FC	PS4037260CP		PS4011660CP	PS3504P	PS3541B49P
H17F4BG2B9000CB	H17WXBG2B9000CC			P2NGS512SB	PS3504P	
H17VXBG023B	H17VXBG023C				PS3504P	PS3541B53P

**"H" Series Cross-Reference Guide**



"H" Series Eng. Level "B"	Suggested isys Replacement	isys Regulator Kit	isys Flow Control Kit	isys Base Kit	Body Kit	Coil Kit
H17VXBG0B9B .....	H17VXBG0B9C .....				PS3504P .....	PS3541B49P
H17VXBK023B .....	H17VXBH023C .....				PS3504P .....	PS3541E53P
H17WXBBL49B .....	H17WXBBL49C .....				PS3504P .....	PS2828A49P
H17WXBBL53B .....	H17WXBBL53C .....				PS3504P .....	PS2828A53P
H17WXBBL57B .....	H17WXBBL57C .....				PS3504P .....	PS2828A53P
H17WXBH1L49B .....	H17WXBBL49C .....				PS3504P .....	PS2828B49P
H17WXBH1L53B .....	H17WXBBL53C .....				PS3504P .....	PS2828B53P
H17WXBCL53B .....	H17WXBCL53C .....				PS3504P .....	PS2828A53P
H17WXBG2B9000CB .....	H17WXBG2B9000CC .....				PS3504P .....	PS3541B49P
H17WXBG2B9000FB .....	H17WXBG2B9000FC .....				PS3504P .....	PS3541B49P
H17WXBG323000CB .....	H17WXBG323000CC .....				PS3504P .....	PS3541A53P
H17WXBG323000FB .....	H17WXBG323000FC .....				PS3504P .....	PS3541A53P
H17WXBG323000GB .....	H17WXBG323000GC .....				PS3504P .....	PS3541A53P
H17WXBG383000FB .....	H17WXBG323000FC .....				PS3504P .....	PS3541B53P
H17WXBG619000FB .....	H17WXBG619FC .....				PS3504P .....	PS2828619P
H17WXBGV23B .....	H17WXBGV23C .....				PS3504P .....	PS2828A53P
H17WXLH1L53B .....	H17WXXBL53C .....				PS3504P .....	PS2828B53P
H17WXPCL53B .....	H17WXXCL53C .....				PS3504P .....	PS2828A53P
H17WXPB2B9000FB .....	H17WXXG2B9000FC .....				PS3504P .....	PS3541B49P
H17WXPB323000CB .....	H17WXXG323000CC .....				PS3504P .....	PS3541A53P
H1813000XXB .....	H18WX000XXC .....			PS401130CP .....	PS3502P .....	
H18B3000XXB .....	H18WX000XXC .....				PS3502P .....	
H18VX000XXB .....	H18WX000XXC .....				PS3502P .....	
H18WX000XXB .....	H18WX000XXC .....				PS3502P .....	
H19VX000XXB .....	H19WX000XXC .....				PS3503P .....	
H19WX000XXB .....	H19WX000XXC .....				PS3503P .....	
H1E13BBL53001B .....	H1E1WXBBL53C .....		PS4042CP .....	PS4011130CP .....	PS3501P .....	PS2828A53P
H1E13BBL53B .....	H1E1WXBBL53C .....			PS4011130CP .....	PS3501P .....	PS2828A53P
H1E13BG123000FB .....	H1E1WXBG123000FC .....			PS4011130CP .....	PS3501P .....	PS3541A53P
H1E13BG2B9000CB .....	H1E1WXBG2B9000CC .....			PS4011130CP .....	PS3501P .....	PS3541B49P
H1E13BG2B9000GB .....	H1E1WXBG2B9000GC .....			PS4011130CP .....	PS3501P .....	PS3541B49P
H1E13BG2B9266FB .....	H1E1WXBG2B9000FC .....	PS4037266CP .....		PS4011130CP .....	PS3501P .....	PS3541B49P
H1E13BG323000CB .....	H1E1WXBG323000CC .....			PS4011130CP .....	PS3501P .....	PS3541A53P
H1E13BG323000FB .....	H1E1WXBG323000FC .....			PS4011130CP .....	PS3501P .....	PS3541A53P
H1E13BG8B9000FB .....	H1E1VXBG0B9C .....			PS4011138FCP .....	PS3501P .....	PS3541B49P
H1E13BGA23B .....	H1E1VXBG023C .....			PS401113ACP .....	PS3501P .....	PS3541B53P
H1E13BGAB9B .....	H1E1VXBG0B9C .....				PS3501P .....	PS3541B49P
H1E13BGC23B .....	H1E1VXBG023C .....			PS401113CCP .....	PS3501P .....	PS3541B53P
H1E13BGC8B9B .....	H1E1VXBG0B9C .....			PS401113CCP .....	PS3501P .....	PS3541B49P
H1E13BM323000CB .....	H1E1WXBG323000CC .....			PS4011130CP .....	PS3501P .....	PS3541A53P
H1E13LG2B9000FB .....	H1E1VXXG2B9000FC .....			PS4011130CP .....	PS3501P .....	PS3541B49P
H1E13LGC23B .....	H1E1VXXG023C .....			PS401113CCP .....	PS3501P .....	PS3541B53P
H1E13LGC23BL .....	H1E1VXXG023C .....			PS401113CCP .....	PS3501P .....	PS3541B53P
H1E13LGC87BL .....	H1E1VXXB057C .....			PS401113CCP .....	PS3501P .....	PS3541B57P
H1E13PGAB9B .....	H1E1VXXG0B9C .....				PS3501P .....	
H1E14BG2B9000FB .....	H1E1WXBG2B9000FC .....			PS4011130CP .....	PS3501P .....	PS3541B49P
H1E14BG2B9166FB .....	H1E1WXBG2B9000FC .....	PS4037166CP .....		PS4011130CP .....	PS3501P .....	PS3541B49P
H1E14BG619000FB .....	H1E1WXBG619FC .....			PS4011140CP .....	PS3501P .....	PS2828619P
H1E14BGC23166B .....	H1E1VXBG023C .....	PS4038166CP .....		PS401114CCP .....	PS3501P .....	PS3541B53P
H1E15BG2B9000CB .....	H1E1WXBG2B9000CC .....			PS4011150CP .....	PS3501P .....	PS3541B49P
H1E15BG2B9166CB .....	H1E1WXBG2B9000CC .....	PS4037166CP .....		PS4011150CP .....	PS3501P .....	PS3541B49P
H1E15BG323000CB .....	H1E1WXBG323000CC .....			PS4011150CP .....	PS3501P .....	PS3541A53P
H1E15BG323000FB .....	H1E1WXBG323000FC .....			PS4011150CP .....	PS3501P .....	PS3541A53P
H1E15BG323166FB .....	H1E1WXBG323000FC .....	PS4037166CP .....		PS4011150CP .....	PS3501P .....	PS3541A53P
H1E15BG619000FB .....	H1E1WXBG619FC .....			PS4011156FCP .....	PS3501P .....	PS2828619P





**"H" Series Cross-Reference Guide**

"H" Series Eng. Level "B"	Suggested isys Replacement	isys Regulator Kit	isys Flow Control Kit	isys Base Kit	Body Kit	Coil Kit
H1E15BG8B9166FB	H1EVXBG0B9C	PS4038166CP		PS4011158FCP	PS3501P	PS3541B49P
H1E15BGA23B	H1EVXBG023C			PS401115ACP	PS3501P	PS3541B53P
H1E15BGC23255B	H1EVXBG023C	PS4038255CP		PS401115CCP	PS3501P	PS3541B53P
H1E15BGC23B	H1EVXBG023C			PS401115CCP	PS3501P	PS3541B53P
H1E15BGC87B	H1EVXBB057C			PS401115CCP	PS3501P	PS3541B57P
H1E15BGC8B9266B	H1EVXBG0B9C	PS4038266CP		PS401115CCP	PS3501P	PS3541B49P
H1E15BGC8B9B	H1EVXBG0B9C			PS401115CCP	PS3501P	PS3541B49P
H1E15BGHB9B	H1EVXBG0B9C			PS401115HCP	PS3501P	PS3541B49P
H1E15PKA23B	H1EVXXH023C			PS401115ACP	PS3501P	PS3541E53P
H1E16BBL49166B	H1EWXBBL49C	PS4038166CP		PS401116ACP	PS3501P	PS3541B49P
H1E16BG2B9000FB	H1EWXBG2B9000FC			PS4011160CP	PS3501P	PS3541B49P
H1E16BG2B9306FB	H1EWXBG2B9000FC	PS4037306CP		PS4011160CP	PS3501P	PS3541B49P
H1E16BG2B9360FB	H1EWXBG2B9000FC	PS4037360CP		PS4011160CP	PS3501P	PS3541B49P
H1E16BG619000FB	H1EWXBG619FC			PS4011160CP	PS3501P	PS2828619P
H1E16BG8B9000CB	H1EVXBG0B9C			PS4011168CCP	PS3501P	PS3541B49P
H1E16BG8B9000FB	H1EVXBG0B9C			PS4011168FCP	PS3501P	PS3541B49P
H1E16BG8B9166GB	H1EVXBG0B9C	PS4038166CP		PS4011168GCP	PS3501P	PS3541B49P
H1E23BG2B9000CB	H1EWXBG2B9000CC			PS4011230CP	PS3501P	PS3541B49P
H1E24BG2B9000CB	H1EWXBG2B9000CC			PS4011240CP	PS3501P	PS3541B49P
H1E24BG2B9000FB	H1EWXBG2B9000FC			PS4011240CP	PS3501P	PS3541B49P
H1E25BG2B9001CB	H1EWXBG2B9000CC		PS4042CP	PS4011250CP	PS3501P	PS3541B49P
H1E63BBL53B	H1EWXBBL53C			PS4011630CP	PS3501P	PS2828A53P
H1E63BG2B9000CB	H1EWXBG2B9000CC			PS4011630CP	PS3501P	PS3541B49P
H1E63BG2B9000FB	H1EWXBG2B9000FC			PS4011630CP	PS3501P	PS3541B49P
H1E63BG2B9001FB	H1EWXBG2B9000FC		PS4042CP	PS4011630CP	PS3501P	PS3541B49P
H1E63BG323000CB	H1EWXBG323000CC			PS4011630CP	PS3501P	PS3541A53P
H1E63BG323000FB	H1EWXBG323000FC			PS4011630CP	PS3501P	PS3541A53P
H1E63BG323000GB	H1EWXBG323000GC			PS4011630CP	PS3501P	PS3541A53P
H1E63BG3B9000CB	H1EWXBG3B9000CC			PS4011630CP	PS3501P	PS3541B49P
H1E63BG4B9000FB	H1EWXBG2B9000FC			PS4011630CP	PS3501P	PS3541B49P
H1E63BG619000FB	H1EWXBG619FC			PS4011630CP	PS3501P	PS2828619P
H1E63BGA23B	H1EVXBG023C			PS401163ACP	PS3501P	PS3541B53P
H1E63BGAB9B	H1EVXBG0B9C			PS401163ACP	PS3501P	PS3541B49P
H1E63BGB23B	H1EVXBG023C			PS401163ACP	PS3501P	PS3541B53P
H1E63BGC23144B	H1EVXBG023C	PS4038144CP		PS401163CCP	PS3501P	PS3541B53P
H1E63BGC23B	H1EVXBG023C			PS401163CCP	PS3501P	PS3541B53P
H1E63BGC8B9B	H1EVXBG0B9C			PS401163CCP	PS3501P	PS3541B49P
H1E63BGJ23B	H1EVXBG023C			PS401163JCP	PS3501P	PS3541B53P
H1E63BM323000CB	H1EWXBG323000CC			PS4011630CP	PS3501P	PS3541A53P
H1E63PG323144CB	H1EWXXG323000CC	PS4037144CP		PS4011630CP	PS3501P	PS3541A53P
H1E63PG619000FB	H1EWXXG619FC			PS4011630CP	PS3501P	PS2828619P
H1E64BBL49B	H1EWXBBL49C			PS4011640CP	PS3501P	PS2828A49P
H1E64BBL53B	H1EWXBBL53C			PS4011640CP	PS3501P	PS2828A53P
H1E64BG2B9000CB	H1EWXBG2B9000CC			PS4011640CP	PS3501P	PS3541B49P
H1E64BG2B9000FB	H1EWXBG2B9000FC			PS4011640CP	PS3501P	PS3541B49P
H1E64BG2B9001FB	H1EWXBG2B9000FC		PS4042CP	PS4011640CP	PS3501P	PS3541B49P
H1E64BG2B9166FB	H1EWXBG2B9000FC	PS4037166CP		PS4011640CP	PS3501P	PS3541B49P
H1E64BG2B91MMFB	H1EWXBG2B9000FC	PS40381MMCP		PS4011640CP	PS3501P	PS3541B49P
H1E64BG3B9000FB	H1EWXBG3B9000FC			PS4011640CP	PS3501P	PS3541B49P
H1E64BGAB9166B	H1EVXBG0B9	PS4038166CP		PS401164ACP	PS3501P	PS3541B49P
H1E64BGM8B9166B	H1EVXBG0B9C	PS4038166CP		PS401164MCP	PS3501P	PS3541B49P
H1E64BGM8B9B	H1EVXBG0B9C			PS401164MCP	PS3501P	PS3541B49P
H1E64BM2B9000FB	H1EWXBG2B9000FC			PS4011640CP	PS3501P	PS3541B49P
H1E64BM2B9166FB	H1EWXBG2B9000FC	PS4037166CP		PS4011640CP	PS3501P	PS3541B49P
H1E65BBL49B	H1EWXBBL49C			PS4011650CP	PS3501P	PS2828A49P

**"H" Series Cross-Reference Guide**



"H" Series Eng. Level "B"	Suggested isys Replacement	isys Regulator Kit	isys Flow Control Kit	isys Base Kit	Body Kit	Coil Kit
H1E65BBL49BL	H1EWXBBL49C			PS4011650CP	PS3501P	PS2828A49P
H1E65BG123000CB	H1EWXBG123000CC			PS4011650CP	PS3501P	PS3541A53P
H1E65BG2B9000CB	H1EWXBG2B9000CC			PS4011650CP	PS3501P	PS3541B49P
H1E65BG2B9000FB	H1EWXBG2B9000FC			PS4011650CP	PS3501P	PS3541B49P
H1E65BG2B9000GB	H1EWXBG2B9000GC			PS4011650CP	PS3501P	PS3541B49P
H1E65BG2B9166CB	H1EWXBG2B9000CC	PS4037166CP		PS4011650CP	PS3501P	PS3541B49P
H1E65BG2B9166FB	H1EWXBG2B9000FC	PS4037166CP		PS4011650CP	PS3501P	PS3541B49P
H1E65BG323000CB	H1EWXBG323000CC			PS4011650CP	PS3501P	PS3541A53P
H1E65BG323000FB	H1EWXBG323000FC			PS4011650CP	PS3501P	PS3541A53P
H1E65BG323166CB	H1EWXBG323000CC	PS4037166CP		PS4011650CP	PS3501P	PS3541A53P
H1E65BG383000FB	H1EWXBG323000FC			PS4011650CP	PS3501P	PS3541B53P
H1E65BG3B9000CB	H1EWXBG3B9000CC			PS4011650CP	PS3501P	PS3541B49P
H1E65BG619000FB	H1EWXBG619FC			PS4011650CP	PS3501P	PS2828619P
H1E65BG8B9000CB	H1EVXBG0B9C			PS4011658CCP	PS3501P	PS3541B49P
H1E65BGA23001B	H1EVXBG023C		PS4035CP	PS401165ACP	PS3501P	PS3541B53P
H1E65BGA23B	H1EVXBG023C			PS401165ACP	PS3501P	PS3541B53P
H1E65BGAB9166B	H1EVXBG0B9C	PS4038166CP		PS401165ACP	PS3501P	PS3541B49P
H1E65BGC23001B	H1EVXBG023C		PS4035CP	PS401165CCP	PS3501P	PS3541B53P
H1E65BGC23144B	H1EVXBG023C	PS4038144CP		PS401165CCP	PS3501P	PS3541B53P
H1E65BGC23B	H1EVXBG023C			PS401165CCP	PS3501P	PS3541B53P
H1E65BGCB9B	H1EVXBG0B9C			PS401165CCP	PS3501P	PS3541B49P
H1E65BGHB9B	H1EVXBG0B9C				PS3501P	
H1E65BGJ23B	H1EVXBG023C			PS401165JCP	PS3501P	PS3541B53P
H1E65BGMB9B	H1EVXBG0B9C			PS401165MCP	PS3501P	PS3541B49P
H1E65BGVB9B	H1EVXBGVB9C			PS4011650CP	PS3501P	PS3541B49P
H1E65BKA23B	H1EVXBH023C			PS401165ACP	PS3501P	PS3541E53P
H1E65BKC23B	H1EVXBH023C			PS401165CCP	PS3501P	PS3541E53P
H1E65LGAB9B	H1EVXXG0B9C			PS401165ACP	PS3501P	PS3541B49P
H1E65PG2B9000FB	H1EWXXG2B9000FC			PS4011650CP	PS3501P	PS3541B49P
H1E65PG323144CB	H1EWXXG323000CC	PS4037144CP		PS4011650CP	PS3501P	PS3541A53P
H1E66BBL49B	H1EWXBBL49C			PS4011660CP	PS3501P	PS2828A49P
H1E66BG2B9000CB	H1EWXBG2B9000CC			PS4011660CP	PS3501P	PS3541B49P
H1E66BG2B9000FB	H1EWXBG2B9000FC			PS4011660CP	PS3501P	PS3541B49P
H1E66BG2B9000GB	H1EWXBG2B9000GC			PS4011660CP	PS3501P	PS3541B49P
H1E66BG2B9155FB	H1EWXBG2B9000FC	PS4037155CP		PS4011660CP	PS3501P	PS3541B49P
H1E66BG2B9166FB	H1EWXBG2B9000FC	PS4037166CP		PS4011660CP	PS3501P	PS3541B49P
H1E66BG2B9199FB	H1EWXBG2B9000FC	PS4037199CP		PS4011660CP	PS3501P	PS3541B49P
H1E66BG323166CB	H1EWXBG323000CC	PS4037166CP		PS4011660CP	PS3501P	PS3541A53P
H1E66BG619000FB	H1EWXBG619FC			PS4011660CP	PS3501P	PS2828619P
H1E66BG8B9000CB	H1EVXBG0B9C			PS4011668CCP	PS3501P	PS3541B49P
H1E66BG8B9166CB	H1EVXBG0B9C	PS4038166CP		PS4011668CCP	PS3501P	PS3541B49P
H1E66BGC23B	H1EVXBG023C			PS401166CCP	PS3501P	PS3541B53P
H1E66BGCB9155B	H1EVXBG0B9C	PS4038155CP		PS401166CCP	PS3501P	PS3541B49P
H1E66BGCB9166B	H1EVXBG0B9C	PS4038166CP		PS401166CCP	PS3501P	PS3541B49P
H1E66BGCB9B	H1EVXBG0B9C			PS401166CCP	PS3501P	PS3541B49P
H1E66BGMB9B	H1EVXBG0B9C			PS401155MCP	PS3501P	PS3541B49P
H1E66BM8B9000FB	H1EVXBG0B9C			PS4011668CCP	PS3501P	PS3541B49P
H1E66LG2B9000FB	H1EWXXG2B9000FC			PS4011660CP	PS3501P	PS3541B49P
H1E66PGC23B	H1EVXXG023C			PS401166CCP	PS3501P	PS3541B53P
H1EA3BBL49B	H1EWXBBL49C			P2NGS592SD	PS3501P	PS2828A49P
H1EA3BBL49BL	H1EWXBBL49C			P2NGS592SD	PS3501P	PS2828A49P
H1EA3BH1L49B	H1EWXBBL49C			GSP2N592SD	PS3501P	PS2828B49P
H1EA3BG2B9000CB	H1EWXBG2B9000CC			P2NGS592SD	PS3501P	PS3541B49P
H1EA3BG2B9000FB	H1EWXBG2B9000FC			P2NGS592SD	PS3501P	PS3541B49P
H1EA3BG2B9166CB	H1EWXBG2B9000CC	PS4037166CP		P2NGS592SD	PS3501P	PS3541B49P

**"H" Series Cross-Reference Guide**



"H" Series Eng. Level "B"	Suggested isys Replacement	isys Regulator Kit	isys Flow Control Kit	isys Base Kit	Body Kit	Coil Kit
H1EA3BG323000CB	H1EWXBG323000CC			P2NGS592SD	PS3501P	PS3541A53P
H1EA3BG323000FB	H1EWXBG323000FC			P2NGS592SD	PS3501P	PS3541A53P
H1EA3BG323000FBL	H1EWXBG323000FC			P2NGS592SD	PS3501P	PS3541A53P
H1EA3BG3B9000CB	H1EWXBG3B9000CC			P2NGS592SD	PS3501P	PS3541B49P
H1EA3BG5B9000GB	H1EWXBG2B9000GC			P2NGS592SD	PS3501P	PS3541B49P
H1EA3BG619000FB	H1EWXBG619FC			P2NGS592SD	PS3501P	PS2828619P
H1EA4BG2B9000FB	H1EWXBG2B9000FC			P2NGS512SD	PS3501P	PS3541B49P
H1EA4BG2B9001FB	H1EWXBG2B9000FC		PS4042CP	P2NGS512SD	PS3501P	PS3541B49P
H1EA4BG323000FB	H1EWXBG323000FC			P2NGS512SD	PS3501P	PS3541A53P
H1EA4BG5B9000GB	H1EWXBG2B9000GC			P2NGS512SD	PS3501P	PS3541B49P
H1EB3BG3B9000CB	H1EWXBG3B9000CC			P2NVS512SD	PS3501P	
H1EB3BG4B9000CB	H1EWXBG2B9000CC			P2NVS512SD	PS3501P	
H1EF4BG2B9000CB	H1EWXBG2B9000CC			P2NGS512SB	PS3501P	
H1EF4BG2B9000FB	H1EWXBG2B9000FC			P2NGS512SB	PS3501P	
H1EF4PG2B9000FB	H1EWXXG2B9000FC			P2NGS512SB	PS3501P	
H1EVXBG023B	H1EVXBG023C				PS3501P	PS3541B53P
H1EVXBG087B	H1EVXBB057C				PS3501P	PS3541B57P
H1EVXBG0B9B	H1EVXBG0B9C				PS3501P	PS3541B49P
H1EVXBK023B	H1EVXBH023C				PS3501P	PS3541E53P
H1EVXBM023B	H1EVXBG023C				PS3501P	PS3541B53P
H1EVXBM0B9B	H1EVXBG0B9C				PS3501P	PS3541B49P
H1EVXLG023B	H1EVXXG023C				PS3501P	PS3541B53P
H1EVXLG0B9B	H1EVXXG0B9C				PS3501P	PS3541B49P
H1EVXPG023B	H1EVXXG023C				PS3501P	PS3541B53P
H1EVXPG0B9B	H1EVXXG0B9C				PS3501P	PS3541B49P
H1EVXPK023B	H1EVXXH023C				PS3501P	PS3541E53P
H1EWXB0NXXB	H1EWXX0NXXC				PS3501P	
H1EWXBBL42B	H1EWXBBL42C				PS3501P	PS2828B42P
H1EWXBBL45B	H1EWXBBL45C				PS3501P	PS2828A45P
H1EWXBBL49B	H1EWXBBL49C				PS3501P	PS2828A49P
H1EWXBBL49BL	H1EWXBBL49C				PS3501P	PS2828A49P
H1EWXBBL53B	H1EWXBBL53C				PS3501P	PS2828A53P
H1EWXBBL57B	H1EWXBBL57C				PS3501P	PS2828A53P
H1EWXBH1L42B	H1EWXBBL42C				PS3501P	PS2828B42P
H1EWXBH1L49B	H1EWXBBL49C				PS3501P	PS2828B49P
H1EWXBH1L53B	H1EWXBBL53C				PS3501P	PS2828B53P
H1EWXBCL49B	H1EWXBCL49C				PS3501P	PS2828A49P
H1EWXBCL53B	H1EWXBCL53C				PS3501P	PS2828A53P
H1EWXBG123000CB	H1EWXBG123000CC				PS3501P	PS3541A53P
H1EWXBG123000FB	H1EWXBG123000FC				PS3501P	PS3541A53P
H1EWXBG123000GB	H1EWXBG123000GC				PS3501P	PS3541A53P
H1EWXBG1B9000CB	H1EWXBG1B9000CC				PS3501P	PS3541B49P
H1EWXBG1B9000GB	H1EWXBG1B9000GC				PS3501P	PS3541B49P
H1EWXBG2B9000CB	H1EWXBG2B9000CC				PS3501P	PS3541B49P
H1EWXBG2B9000FB	H1EWXBG2B9000FC				PS3501P	PS3541B49P
H1EWXBG2B9000GB	H1EWXBG2B9000GC				PS3501P	PS3541B49P
H1EWXBG323000CB	H1EWXBG323000CC				PS3501P	PS3541A53P
H1EWXBG323000FB	H1EWXBG323000FC				PS3501P	PS3541A53P
H1EWXBG323000GB	H1EWXBG323000GC				PS3501P	PS3541A53P
H1EWXBG323166CB	H1EWXBG323000CC		PS4037166CP		PS3501P	PS3541A53P
H1EWXBG383000FB	H1EWXBG323000FC				PS3501P	PS3541B53P
H1EWXBG3B9000CB	H1EWXBG3B9000CC				PS3501P	PS3541B49P
H1EWXBG3B9000FB	H1EWXBG3B9000FC				PS3501P	PS3541B49P
H1EWXBG3B9000GB	H1EWXBG3B9000GC				PS3501P	PS3541B49P
H1EWXBG4B9000CB	H1EWXBG2B9000CC				PS3501P	PS3541B49P

**"H" Series Cross-Reference Guide**



"H" Series Eng. Level "B"	Suggested isys Replacement	isys Regulator Kit	isys Flow Control Kit	isys Base Kit	Body Kit	Coil Kit
H1EWXBG523000CB	H1EWXBG323000CC				PS3501P	PS3541A53P
H1EWXBG523000FB	H1EWXBG323000FC				PS3501P	PS3541A53P
H1EWXBG5B9000CB	H1EWXBG2B9000CC				PS3501P	PS3541B49P
H1EWXBG5B9000FB	H1EWXBG2B9000FC				PS3501P	PS3541B49P
H1EWXBG619000FB	H1EWXBG619FC				PS3501P	PS2828619P
H1EWXBGHB9B	H1EWXBG0B9C				PS3501P	PS3541B49P
H1EWXBGVB9B	H1EWXBGVB9C				PS3501P	PS3541B49P
H1EWXLG1B9000FB	H1EWXXG1B9000FC				PS3501P	PS3541B49P
H1EWXLG323000CB	H1EWXXG323000CC				PS3501P	PS3541A53P
H1EWXLG3B9000CB	H1EWXXG3B9000CC				PS3501P	PS3541B49P
H1EWXPBL53B	H1EWXXBL53C				PS3501P	PS2828A53P
H1EWXPCL53B	H1EWXXCL53C				PS3501P	PS2828A53P
H1EWXPG2B9000FB	H1EWXXG2B9000FC				PS3501P	PS3541B49P
H1EWXPG323000CB	H1EWXXG323000CC				PS3501P	PS3541A53P
H1EWXPG3B9000CB	H1EWXXG3B9000CC				PS3501P	PS3541B49P
H1EWXPG523000CB	H1EWXXG323000CC				PS3501P	PS3541A53P
H1EWXPGVB9B	H1EWXXGVB9C				PS3501P	PS3541B49P
H1F13000XXB	H1FWX000XXC			PS4011130CP	PS3501P	
H1F15000XXB	H1FWX000XXC			PS4011150CP	PS3501P	
H1F16000XX166B	H1FWX000XXC			PS4011150CP	PS3501P	
H1F16000XXB	H1FWX000XXC			PS4011150CP	PS3501P	
H1FC4000XXB	H1FWX000XXC				PS3501P	
H1FVX000XXB	H1FWX000XXC				PS3501P	
H1FWX000XXB	H1FWX000XXC				PS3501P	
H20VX000XXB	H20WX000XXC				PS3604P	
H2115BBL49B	H21WXBBL49C			PS4111150CP	PS3601P	PS2828A49P
H2115BBL53B	H21WXBBL53C			PS4111150CP	PS3601P	PS2828A53P
H2115BH2L49B	H21WXBBL49C			PS4111150CP	PS3601P	PS2828B49P
H2115BGA23B	H21VXBG023C			PS411115ACP	PS3601P	PS3541B53P
H2115BGAB9B	H21VXBG0B9C			PS411115ACP	PS3601P	PS3541B49P
H2115BGC23B	H21VXBG023C			PS411115CCP	PS3601P	PS3541B53P
H2115BGCB9B	H21VXBG0B9C			PS411115CCP	PS3601P	PS3541B49P
H2115BKA23B	H21VXBH023C			PS411115ACP	PS3601P	PS3541E53P
H2115LBL49B	H21WXXBL49C			PS4111150CP	PS3601P	PS2828A49P
H2115LGAB9B	H21VXXG0B9C			PS411115ACP	PS3601P	PS3541B49P
H2115LGCB9B	H21VXXG0B9C			PS411115CCP	PS3601P	PS3541B49P
H2115LKA23206B	H21VXXH023C	PS4138206CP		PS411115ACP	PS3601P	PS3541E53P
H2115PGA23B	H21VXXG023C			PS411115ACP	PS3601P	PS3541B53P
H2115PGAB9B	H21VXXG0B9C			PS411115ACP	PS3601P	PS3541B49P
H2115PKA23206B	H21VXXH023C	PS4138206CP		PS411115ACP	PS3601P	PS3541E53P
H2117BBL49B	H21WXBBL49C			PS4111170CP	PS3601P	PS2828A49P
H2117BGC23B	H21VXBG023C			PS411117CCP	PS3601P	PS3541B53P
H2118BBL49B	H21WXBBL49C			PS4111180CP	PS3601P	PS2828A49P
H2125BGA23B	H21VXBG023C			PS411125ACP	PS3601P	PS3541B53P
H2125BKA23B	H21VXBH023C			PS411125ACP	PS3601P	PS3541E53P
H2155BG223166FB	H21WXBG223000FC	PS4137166CP		PS4111550CP	PS3601P	PS3541B53P
H2155BG323000CB	H21WXBG323000CC			PS4111550CP	PS3601P	PS3541B53P
H2155BG323000FB	H21WXBG323000FC			PS4111550CP	PS3601P	PS3541B53P
H2155BGA23166B	H21VXBG023C	PS4138166CP		PS411155ACP	PS3601P	PS3541B53P
H2155BGA23266B	H21VXBG023C	PS4138266CP		PS411155ACP	PS3601P	PS3541B53P
H2155BGA23B	H21VXBG023C			PS411155ACP	PS3601P	PS3541B53P
H2155BGA83001B	H21VXBG023C		PS4135CP	PS411155ACP	PS3601P	PS3541B53P
H2155BGA87B	H21VXBB057C			PS411155ACP	PS3601P	PS3441B57P
H2155BGAB9B	H21VXBG0B9C			PS411155ACP	PS3601P	PS3541B49P
H2155BGC23B	H21VXBG023C			PS411155CCP	PS3601P	PS3541B53P

H2

**"H" Series Cross-Reference Guide**



"H" Series Eng. Level "B"	Suggested isys Replacement	isys Regulator Kit	isys Flow Control Kit	isys Base Kit	Body Kit	Coil Kit
H2155BKA23B	H21VXBH023C			PS411155ACP	PS3601P	PS3541E53P
H2155PGAB9B	H21VXXG0B9C			PS411155ACP	PS3601P	PS3541B49P
H2155PKA23B	H21VXXH023C			PS411155ACP	PS3601P	PS3541E53P
H2155PKM23B	H21VXXH023C			PS411155MCP	PS3601P	PS3541E53P
H2156BKA23001B	H21VXBH023C		PS4135CP	PS411156ACP	PS3601P	PS3541E53P
H2157BG123166CB	H21WXBG123000CC	PS4137166CP		PS4111570CP	PS3601P	PS3541B53P
H2165BH2L49166B	H21WXBBL49C	LS4137166CP		PS4111650CP	PS3601P	PS2828B49P
H2165BGA23266B	H21VXBG023C	PS4138266CP		PS411165ACP	PS3601P	PS3541B53P
H2165BGA23B	H21VXBG023C			PS411165ACP	PS3601P	PS3541B53P
H2165BGC23001B	H21VXBG023C		PS4135CP	PS411165CCP	PS3601P	PS3541B53P
H2165BGC23B	H21VXBG023C			PS411165CCP	PS3601P	PS3541B53P
H2168BG8B9000CB	H21VXBG0B9C			PS4111688CCP	PS3601P	PS3541B49P
H21A5BBL53B	H21WXBBL53C			P2NHS593SS	PS3601P	PS2828A53P
H21A5BG123000CB	H21WXBG123000CC			P2NHS593SS	PS3601P	PS3541B53P
H21A5BG1B9000CB	H21WXBG1B9000CC			P2NHS593SS	PS3601P	PS3541B49P
H21A5BG323000GB	H21WXBG323000GC			P2NHS593SS	PS3601P	PS3541B53P
H21A6BBL49B	H21WXBBL49C			P2NHS513SS	PS3601P	PS2828A49P
H21VXBG023B	H21VXBG023C				PS3601P	PS3541B53P
H21VXBG087B	H21VXBB057C				PS3601P	PS3441B57P
H21VXBG0B9B	H21VXBG0B9C				PS3601P	PS3541B49P
H21VXBK023B	H21VXBH023C				PS3601P	PS3541E53P
H21VXLG0B9B	H21VXXG0B9C				PS3601P	PS3541B49P
H21VXLK023B	H21VXXH023C				PS3601P	PS3541E53P
H21VXPG023B	H21VXXG023C				PS3601P	PS3541B53P
H21VXPG0B9B	H21VXXG0B9C				PS3601P	PS3541B49P
H21VXPK023B	H21VXXH023C				PS3601P	PS3541E53P
H21VXPK0B9B	H21VXXH0B9C				PS3601P	PS3541E49P
H21WXB0NXXB	H21WXX0NXXC				PS3601P	
H21WXBBL49B	H21WXBBL49C				PS3601P	PS2828A49P
H21WXBBL53B	H21WXBBL53C				PS3601P	PS2828A53P
H21WXBBL57B	H21WXBBL57C				PS3601P	PS2828A57P
H21WXBH2L49B	H21WXBBL49C				PS3601P	PS2828B49P
H21WXBH2L53B	H21WXBBL53C				PS3601P	PS2828B53P
H21WXBG2B9000CB	H21WXBG2B9000CC				PS3601P	PS3541B49P
H21WXBG323000CB	H21WXBG323000CC				PS3601P	PS3541B53P
H21WXBG323000FB	H21WXBG323000FC				PS3601P	PS3541B53P
H21WXBGV23B	H21WXBGV23C				PS3601P	PS3541B53P
H21WXLBL53B	H21WXXBL53C				PS3601P	PS2828A53P
H21WXPBL49B	H21WXXBL49C				PS3601P	PS2828A49P
H21WXPBL53B	H21WXXBL53C				PS3601P	PS2828A53P
H21WXPB123000CB	H21WXXB123000CC				PS3601P	PS3541B53P
H21WXPBVB9B	H21WXXBVB9C				PS3601P	PS3541B49P
H2215BBL53166B	H22WXBBL53C	PS4137166CP		PS4111150CP	PS3601P	PS2828A53P
H2215BBL53B	H22WXBBL53C			PS4111150CP	PS3601P	PS2828A53P
H2215BG323000FB	H22WXBG323000FC			PS4111150CP	PS3601P	PS3541B53P
H2215BGA23166B	H22VXBG023C	PS4138166CP		PS411115ACP	PS3601P	PS3541B53P
H2215BGA23B	H22VXBG023C			PS411115ACP	PS3601P	PS3541B53P
H2215BGA87B	H22VXBB057C			PS411115ACP	PS3601P	PS3441B57P
H2215BGAB9001B	H22VXBG0B9C		PS4135CP	PS411115ACP	PS3601P	PS3541B49P
H2215BGAB9B	H22VXBG0B9C			PS411115ACP	PS3601P	PS3541B49P
H2215BGC23B	H22VXBG023C			PS411115CCP	PS3601P	PS3541B53P
H2215BGCB9B	H22VXBG0B9C			PS411115CCP	PS3601P	PS3541B49P
H2215BKA23B	H22VXBH023C			PS411115ACP	PS3601P	PS3541E53P
H2215LGA23266B	H22VXXG023C	PS4138266CP		PS411115ACP	PS3601P	PS3541B53P
H2215LGCB9B	H22VXXG0B9C			PS411115CCP	PS3601P	PS3541B49P

**"H" Series Cross-Reference Guide**



"H" Series Eng. Level "B"	Suggested isys Replacement	isys Regulator Kit	isys Flow Control Kit	isys Base Kit	Body Kit	Coil Kit
H2215LKA23B	H22VXXH023C			PS411115ACP	PS3601P	PS3541E53P
H2215PGA23B	H22VXXG023C			PS411115ACP	PS3601P	PS3541B53P
H2215PGAB9B	H22VXXG0B9C			PS411115ACP	PS3601P	PS3541B49P
H2215PKA23266B	H22VXXH023C	PS4138266CP		PS411115ACP	PS3601P	PS3541E53P
H2215PKA23B	H22VXXH023C			PS411115ACP	PS3601P	PS3541E53P
<hr/>						
H2216BBL49B	H22WXBBL49C			PS4111160CP	PS3601P	PS2828A49P
H2216BG8B9000CB	H22VXBG0B9C			PS4111168CCP	PS3601P	PS3541B49P
H2216BKA23001B	H22VXBH023C		PS4135CP	PS411116ACP	PS3601P	PS3541E53P
H2217BGA23B	H22VXBG023C			PS411117ACP	PS3601P	PS3541B53P
H2217BGC23B	H22VXBG023C			PS411117CCP	PS3601P	PS3541B53P
<hr/>						
H2217BGCB9B	H22VXBG0B9C			PS411117CCP	PS3601P	PS3541B49P
H2217BGTB9001B	H22VXBG0B9C		PS4135CP	PS411117TCP	PS3601P	PS3541B49P
H2218BG2B9000FB	H22WXBG2B9000FC			PS4111180CP	PS3601P	PS3541B49P
H2225BKA23B	H22VXBH023C			PS411125ACP	PS3601P	PS3541E53P
H2255BG2B9166CB	H22WXBG2B9000CC	PS4137166CP		PS4111550CP	PS3601P	PS3541B49P
<hr/>						
H2255BG3B9000GB	H22WXBG3B9000GC			PS4111550CP	PS3601P	PS3541B49P
H2255BGA23B	H22VXBG023C			PS411155ACP	PS3601P	PS3541B53P
H2255BGA87B	H22VXBB057C			PS411155ACP	PS3601P	PS3441B57P
H2255BGAB9001B	H22VXBG0B9C		PS4135CP	PS411155ACP	PS3601P	PS3541B49P
H2255BGAB9B	H22VXBG0B9C			PS411155ACP	PS3601P	PS3541B49P
<hr/>						
H2255BGC23001B	H22VXBG023C		PS4135CP	PS411155CCP	PS3601P	PS3541B53P
H2255BGC23B	H22VXBG023C			PS411155CCP	PS3601P	PS3541B53P
H2255BGM19B	H22VXBG0B9C			PS411155MCP	PS3601P	PS3541B49P
H2255BGMB9B	H22VXBG0B9C			PS411155MCP	PS3601P	PS3541B49P
H2255BKA23B	H22VXBH023C			PS411155ACP	PS3601P	PS3541E53P
<hr/>						
H2255LGCB9B	H22VXXG0B9C			PS411155CCP	PS3601P	PS3541B49P
H2255LKA23266B	H22VXXH023C	PS4138266CP		PS411155ACP	PS3601P	PS3541E53P
H2255PGA23266B	H22VXXG023C	PS4138266CP		PS411155ACP	PS3601P	PS3541B53P
H2255PGA87266B	H22VXXB057C	PS4138266CP		PS411155ACP	PS3601P	PS3441B57P
H2255PKA23266B	H22VXXH023C	PS4138266CP		PS411155ACP	PS3601P	PS3541E53P
<hr/>						
H2255PKA23B	H22VXXH023C			PS411155ACP	PS3601P	PS3541E53P
H2256BG2B9000FB	H22WXBG2B9000FC			PS4111560CP	PS3601P	PS3541B49P
H2256BGCB9B	H22VXBG0B9C			PS411156CCP	PS3601P	PS3541B49P
H2256BKA23001B	H22VXBH023C		PS4135CP	PS411156ACP	PS3601P	PS3541E53P
H2257BBL53B	H22WXBBL53C			PS4111570CP	PS3601P	PS2828A53P
<hr/>						
H2257BG2B9000FB	H22WXBG2B9000FC			PS4111570CP	PS3601P	PS3541B49P
H2257BG3B9001FB	H22WXBG3B9000FC		PS4142CP	PS4111570CP	PS3601P	PS3541B49P
H2257BGC23B	H22VXBG023C			PS411157CCP	PS3601P	PS3541B53P
H2257BGCB9B	H22VXBG0B9C			PS411157CCP	PS3601P	PS3541B49P
H2257BGTB9001B	H22VXBG0B9C		PS4135CP	PS411157TCP	PS3601P	PS3541B49P
<hr/>						
H2257LG323000CB	H22WXXG323000CC			PS4111570CP	PS3601P	PS3541B53P
H2257PG323000CB	H22WXXG323000CC			PS4111570CP	PS3601P	PS3541B53P
H2258LG323000CB	H22WXXG323000CC			PS4111580CP	PS3601P	PS3541B53P
H2258PG2B9000CB	H22WXXG2B9000CC			PS4111580CP	PS3601P	PS3541B49P
H2265BGA23166B	H22VXBG023C	PS4138166CP		PS411165ACP	PS3601P	PS3541B53P
<hr/>						
H2265BGA23B	H22VXBG023C			PS411165ACP	PS3601P	PS3541B53P
H2265BGA87B	H22VXBB057C			PS411165AP	PS3601P	PS3441B57P
H2265BGAB9133B	H22VXBG0B9C	PS4138133CP		PS411165ACP	PS3601P	PS3541B49P
H2265BGAB9B	H22VXBG0B9C			PS411165ACP	PS3601P	PS3541B49P
H2265BGC23001B	H22VXBG023C		PS4135CP	PS411165CCP	PS3601P	PS3541E53P
<hr/>						
H2265BGC23B	H22VXBG023C			PS411165CCP	PS3601P	PS3541B53P
H2265BGCB9B	H22VXBG0B9C			PS411165CCP	PS3601P	PS3541B49P
H2265BGMB9266B	H22VXBG0B9C	PS4138266CP		PS411165MCP	PS3601P	PS3541B49P
H2265BGMB9B	H22VXBG0B9C			PS411165MCP	PS3601P	PS3541B49P
H2265BKA23B	H22VXBH023C			PS411165ACP	PS3601P	PS3541E53P

**"H" Series Cross-Reference Guide**



"H" Series Eng. Level "B"	Suggested isys Replacement	isys Regulator Kit	isys Flow Control Kit	isys Base Kit	Body Kit	Coil Kit
H2265BKM23B	H22VXBH023C			PS411165MCP	PS3601P	PS3541E53P
H2265PG2B9000FB	H22WXXG2B9000FC			PS4111650CP	PS3601P	PS3541B49P
H2267BBL53B	H22WXBBL53C			PS4111670CP	PS3601P	PS2828A53P
H2267BG2B9000CB	H22WXBG2B9000CC			PS4111670CP	PS3601P	PS3541B49P
H2267BG619166FB	H22WXBG619FC	PS4137166CP		PS4111670CP	PS3601P	PS2828619P
H2267BGC23266B	H22VXBG023C	PS4138266CP		PS411167CCP	PS3601P	PS3541B53P
H2267BGC23B	H22VXBG023C			PS411167CCP	PS3601P	PS3541B53P
H2267PGC23B	H22VXXG023C			PS411167CCP	PS3601P	PS3541B53P
H2268BG2B9000FB	H22WXBG2B9000FC			PS4111680CP	PS3601P	PS3541B49P
H2268BG2B9001FB	H22WXBG2B9000FC		PS4142CP	PS4111680CP	PS3601P	PS3541B49P
H22A5BBL49001B	H22WXBBL49C		PS4142CP	P2NHS593SS	PS3601P	PS2828A49P
H22A5BBL49B	H22WXBBL49C			P2NHS593SS	PS3601P	PS2828A49P
H22A5BBL53001B	H22WXBBL53C		PS4142CP	P2NHS593SS	PS3601P	PS2828A53P
H22A5BG2B9001FB	H22WXBG2B9000FC		PS4142CP	P2NHS593SS	PS3601P	PS3541B49P
H22A5BG323000GB	H22WXBG323000GC			P2NHS593SS	PS3601P	PS3541B53P
H22A5BG3B9000FB	H22WXBG3B9000FC			P2NHS593SS	PS3601P	PS3541B49P
H22A5BGVB9B	H22WXBGVB9C			P2NHS593SS	PS3601P	PS3541B49P
H22A6BG2B9000CB	H22WXBG2B9000CC			P2NHS513SS	PS3601P	PS3541B49P
H22A6PG3B9000GB	H22WXXG3B9000GC			P2NHS513SS	PS3601P	PS3541B49P
H22A6PG3B9206GB	H22WXXG3B9000GC	PS4137206CP		P2NHS513SS	PS3601P	PS3541B49P
H22B6BBL49B	H22WXBBL49C			PS41112500P	PS3601P	PS2828A49P
H22F6BG2B9000CB	H22WXBG2B9000CC			PS4111680CP	PS3601P	PS3541B49P
H22VXBG019B	H22VXBG0B9C				PS3601P	PS3541B49P
H22VXBG023B	H22VXBG023C				PS3601P	PS3541B53P
H22VXBG087B	H22VXBB057C				PS3601P	PS3441B57P
H22VXBG0B9B	H22VXBG0B9C				PS3601P	PS3541B49P
H22VXBK023B	H22VXBH023C				PS3601P	PS3541E53P
H22VXBK0B9B	H22VXBH0B9C				PS3601P	PS3541E49P
H22VXLG023B	H22VXXG023C				PS3601P	PS3541B53P
H22VXLG0B9B	H22VXXG0B9C				PS3601P	PS3541B49P
H22VXLK023B	H22VXXH023C				PS3601P	PS3541E53P
H22VXLK0B9B	H22VXXH0B9C				PS3601P	PS3541E49P
H22VXPG023B	H22VXXG023C				PS3601P	PS3541B53P
H22VXPG0B9B	H22VXXG0B9C				PS3601P	PS3541B49P
H22VXPK023B	H22VXXH023C				PS3601P	PS3541E53P
H22WXB0NXXB	H22WXX0NXXC				PS3601P	
H22WXBBL49B	H22WXBBL49C				PS3601P	PS2828A49P
H22WXBBL53B	H22WXBBL53C				PS3601P	PS2828A53P
H22WXBBL57B	H22WXBBL57C				PS3601P	PS2828A57P
H22WXBH2L53B	H22WXBBL53C				PS3601P	PS2828B53P
H22WXBCL53B	H22WXBCL53C				PS3601P	PS2828A53P
H22WXBG2B9000CB	H22WXBG2B9000CC				PS3601P	PS3541B49P
H22WXBG2B9000FB	H22WXBG2B9000FC				PS3601P	PS3541B49P
H22WXBG323000CB	H22WXBG323000CC				PS3601P	PS3541B53P
H22WXBG323000FB	H22WXBG323000FC				PS3601P	PS3541B53P
H22WXBG3B9000CB	H22WXBG3B9000CC				PS3601P	PS3541B49P
H22WXBG3B9000GB	H22WXBG3B9000GC				PS3601P	PS3541B49P
H22WXBG619000FB	H22WXBG619FC				PS3601P	PS2828619P
H22WXLBL53B	H22WXXBL53C				PS3601P	PS2828A53P
H22WXLG2B9000FB	H22WXXG2B9000FC				PS3601P	PS3541B49P
H22WXLG2B9000GB	H22WXXG2B9000GC				PS3601P	PS3541B49P
H22WXPBL49B	H22WXXBL49C				PS3601P	PS2828A49P
H22WXPBG2B9000CB	H22WXXG2B9000CC				PS3601P	PS3541B49P
H22WXPBG2B9000FB	H22WXXG2B9000FC				PS3601P	PS3541B49P
H22WXPBG323000CB	H22WXXG323000CC				PS3601P	PS3541B53P

**"H" Series Cross-Reference Guide**



"H" Series Eng. Level "B"	Suggested isys Replacement	isys Regulator Kit	isys Flow Control Kit	isys Base Kit	Body Kit	Coil Kit
H22WXP523000CB	H22WXXG323000CC				PS3601P	PS3541B53P
H22WXP9VB9B	H22WXXG9VB9C				PS3601P	PS3541B49P
H22WXXG323000FB	H22WXXG323000FC				PS3601P	PS3541B53P
H22WXXG323000FB	H22WXXG323000FC				PS3601P	PS3541B53P
H2357000XXB	H23WX000XXC			PS4111570P	PS3601P	
H23A6000XXB	H23WX000XXC			PS4111250CP	PS3601P	
H23VX000XXB	H23WX000XXC				PS3601P	
H23WX000XXB	H23WX000XXC				PS3601P	
H23WXL00XXB	H23WXX00XXC				PS3601P	
H23WXP00XXB	H23WXX00XXC				PS3601P	
H2415000XXB	H24WX000XXC			PS4111150CP	PS3601P	
H24C6000XXB	H24WX000XXC			PS4111250CP	PS3601P	
H24VX000XXB	H24WX000XXC				PS3601P	
H24WX000XXB	H24WX000XXC				PS3601P	
H2515BBL53001B	H25WXBBL53C		PS4142CP	PS4111150CP	PS3602P	PS2828A53P
H2515BG3B9000FB	H25WXBG3B9000FC			PS4111150CP	PS3602P	PS3541B49P
H2515BG923000CB	H25VXBG023000CC			PS4111150CCP	PS3602P	PS3541B53P
H2515BGA23001B	H25VXBG023C		PS4135CP	PS411115ACP	PS3602P	PS3541B53P
H2515BGA23B	H25VXBG023C			PS411115ACP	PS3602P	PS3541B53P
H2515BGAB9B	H25VXBG0B9C			PS411115ACP	PS3602P	PS3541B49P
H2515BGC23B	H25VXBG023C			PS411115CCP	PS3602P	PS3541B53P
H2515BGCB9B	H25VXBG0B9C			PS411115CCP	PS3602P	PS3541B49P
H2515BKA23B	H25VXBH023C			PS411115ACP	PS3602P	PS3541E53P
H2515PGA23B	H25VXXG023C			PS411115ACP	PS3602P	PS3541B53P
H2516BBL49B	H25WXBBL49C			PS4111160CP	PS3602P	PS2828A49P
H2516BG8B9000CB	H25VXBG0B9C			PS4111168CCP	PS3602P	PS3541B49P
H2517BH2L57B	H25WXBBL57C			PS4111170CP	PS3602P	PS2828A57P
H2517BG323000FB	H25WXBG323000FC			PS4111170CP	PS3602P	PS3541B53P
H2517BGC23B	H25VXBG023C			PS411117CCP	PS3602P	PS3541B53P
H2517BGCB9B	H25VXBG0B9C			PS411117CCP	PS3602P	PS3541B49P
H2517BKCB9166B	H25VXBH0B9C	PS4138166CP		PS411117CCP	PS3602P	PS3541E49P
H2517BKCB9B	H25VXBH0B9C			PS411117CCP	PS3602P	PS3541E49P
H2525BGA23B	H25VXBG023C			PS411125ACP	PS3602P	PS3541B53P
H2525BGC23B	H25VXBG023C			PS411125ACP	PS3602P	PS3541B53P
H2555BGA23166B	H25VXBG023C	PS4138166CP		PS411155ACP	PS3602P	PS3541B53P
H2555BGA23B	H25VXBG023C			PS411155ACP	PS3602P	PS3541B53P
H2555BGAB9B	H25VXBG0B9C			PS411155ACP	PS3602P	PS3541B49P
H2555BGC23B	H25VXBG023C			PS411155CCP	PS3602P	PS3541B53P
H2555BGM19B	H25VXBG0B9C			PS411155MCP	PS3602P	PS3541B49P
H2556BKA23001B	H25VXBH023C		PS4135CP	PS411156ACP	PS3602P	PS3541E53P
H2557BBL53001B	H25WXBBL53C		PS4142CP	PS4111570CP	PS3602P	PS2828A53P
H2557BBL53B	H25WXBBL53C			PS4111570CP	PS3602P	PS2828A53P
H2558BG2B9000FB	H25WXBG2B9000FC			PS4111580CP	PS3602P	PS3541B49P
H2565BGCB9166B	H25VXBG0B9C	PS4138166CP		PS411165CCP	PS3602P	PS3541B49P
H2565BGCB9266B	H25VXBG0B9C	PS4138266CP		PS411165CCP	PS3602P	PS3541B49P
H2565BGBM9266B	H25VXBG0B9C	PS4138266CP		PS411165MCP	PS3602P	PS3541B49P
H2565PG2B9000FB	H25WXXG2B9000FC			PS4111650CP	PS3602P	PS3541B49P
H2567BGC23B	H25VXBG023C			PS411167CCP	PS3602P	PS3541B53P
H2567BGCB9B	H25VXBG0B9C			PS411167CCP	PS3602P	PS3541B49P
H2567BKCB9166B	H25VXBH0B9C	PS4138166CP		PS411167CCP	PS3602P	PS3541E49P
H2567BKCB9B	H25VXBH0B9C			PS411167CCP	PS3602P	PS3541E49P
H2567BKMB9B	H25VXBH0B9C			PS411167MCP	PS3602P	PS3541E49P
H2568BG2B9000FB	H25WXBG2B9000FC			PS4111680CP	PS3602P	PS3541B49P
H25A5BBL49B	H25WXBBL49C			P2NHS593SS	PS3602P	PS2828A49P
H25A5BG2B9166CB	H25WXBG2B9000CC	PS4137166CP		P2NHS593SS	PS3602P	PS3541B49P



**"H" Series Cross-Reference Guide**



"H" Series Eng. Level "B"	Suggested isys Replacement	isys Regulator Kit	isys Flow Control Kit	isys Base Kit	Body Kit	Coil Kit
H25A5BG323000FB	H25WXBG323000FC			P2NHS593SS	PS3602P	PS3541B53P
H25A5BG3B9000FB	H25WXBG3B9000FC			P2NHS593SS	PS3602P	PS3541B49P
H25A5BG3B9000GB	H25WXBG3B9000GC			P2NHS593SS	PS3602P	PS3541B49P
H25VXBG023B	H25VXBG023C				PS3602P	PS3541B53P
H25VXBG0B9B	H25VXBG0B9C				PS3602P	PS3541B49P
H25VXBK023B	H25VXBH023C				PS3602P	PS3541E53P
H25VXBK0B9B	H25VXBH0B9C				PS3602P	PS3541E49P
H25VXLG023B	H25VXXG023C				PS3602P	PS3541B53P
H25WXBBL45B	H25WXBBL45C				PS3602P	PS2828A45P
H25WXBBL49B	H25WXBBL49C				PS3602P	PS2828A49P
H25WXBBL53B	H25WXBBL53C				PS3602P	PS2828A53P
H25WXBH2L49B	H25WXBBL49C				PS3602P	PS2828B49P
H25WXBH2L53B	H25WXBBL53C				PS3602P	PS2828A53P
H25WXBCL49B	H25WXBCL49C				PS3602P	PS2828A49P
H25WXBCL53B	H25WXBCL53C				PS3602P	PS2828A53P
H25WXBG2B9000CB	H25WXBG2B9000CC				PS3602P	PS3541B49P
H25WXBG2B9000FB	H25WXBG2B9000FC				PS3602P	PS3541B49P
H25WXBG2B9000GB	H25WXBG2B9000GC				PS3602P	PS3541B49P
H25WXBG323000CB	H25WXBG323000CC				PS3602P	PS3541B53P
H25WXBG323000FB	H25WXBG323000FC				PS3602P	PS3541B53P
H25WXBG3B9000CB	H25WXBG3B9000CC				PS3602P	PS3541B49P
H25WXBG3B9000GB	H25WXBG3B9000GC				PS3602P	PS3541B49P
H25WXBG619000FB	H25WXBG619FC				PS3602P	PS2828619P
H25WXBGV23B	H25WXBGV23C				PS3602P	PS3541B53P
H25WXLBL53B	H25WXXBL53C				PS3602P	PS2828A53P
H25WXLCL49B	H25WXXCL49C				PS3602P	PS2828A49P
H25WXLCL53B	H25WXXCL53C				PS3602P	PS2828A53P
H25WXPBL53B	H25WXXBL53C				PS3602P	PS2828A53P
H25WXPCL49B	H25WXXCL49C				PS3602P	PS2828A49P
H25WXPGB9000FB	H25WXXG2B9000FC				PS3602P	PS3541B49P
H2615BBL53001B	H26WXBBL53C		PS4142CP	PS4111150CP	PS3603P	PS2828A53P
H2615BBL53B	H26WXBBL53C			PS4111150CP	PS3603P	PS2828A53P
H2615BG923000FB	H26VXBG023000FC			PS4111150CCP	PS3603P	PS3541B53P
H2615BGA23206B	H26VXBG023C	PS4138206CP		PS411115ACP	PS3603P	PS3541B53P
H2615BGA23266B	H26VXBG023C	PS4138266CP		PS411115ACP	PS3603P	PS3541B53P
H2615BGA23B	H26VXBG023C			PS411115ACP	PS3603P	PS3541B53P
H2615BGAB9B	H26VXBG0B9C			PS411115ACP	PS3603P	PS3541B49P
H2615PG323266CB	H26WXXG323CC	PS4137266CP		PS4111150CP	PS3603P	PS3541B53P
H2615PKA23B	H26VXXH023C			PS411115ACP	PS3603P	PS3541E53P
H2616BBL53B	H26WXBBL53C			PS4111160CP	PS3603P	PS2828A53P
H2616BGCB9266B	H26VXBG0B9C	PS4138266CP		PS411116CCP	PS3603P	PS3541B49P
H2616BGCB9B	H26VXBG0B9C			PS411116CCP	PS3603P	PS3541B49P
H2617BG2B9000CB	H26WXBG2B9000CC			PS4111170CP	PS3603P	PS3541B49P
H2617BG2B9000FB	H26WXBG2B9000FC			PS4111170CP	PS3603P	PS3541B49P
H2617BG323000CB	H26WXBG323000CC			PS4111170CP	PS3603P	PS3541B53P
H2617BG8B9000GB	H26VXBG0B9C			PS4111178GCP	PS3603P	PS3541B49P
H2617BG9B9000GB	H26VXBG0B9C			PS4111179GCP	PS3603P	PS3541B49P
H2617BGA23B	H26VXBG023C			PS411117ACP	PS3603P	PS3541B53P
H2618BG2B9000FB	H26WXBG2B9000FC			PS4111180CP	PS3603P	PS3541B49P
H2618BG2B9260FB	H26WXBG2B9000FC	PS4137260CP		PS4111180CP	PS3603P	PS3541B49P
H2618BG2B9266FB	H26WXBG2B9000FC	PS4137266CP		PS4111180CP	PS3603P	PS3541B49P
H2618BG8B9000CB	H26VXBG0B9C			PS4111188CCP	PS3603P	PS3541B49P
H2625BGA23B	H26VXBG023C			PS411125ACP	PS3603P	PS3541B53P
H2627LG619000FB	H26WXXG619FC			PS4111270CP	PS3603P	PS2828619P
H2655BG923000CB	H26VXBG023C			PS4111559CCP	PS3603P	PS3541B53P

**"H" Series Cross-Reference Guide**



"H" Series Eng. Level "B"	Suggested isys Replacement	isys Regulator Kit	isys Flow Control Kit	isys Base Kit	Body Kit	Coil Kit
H2655BGA23B	H26VXBG023C			PS411155ACP	PS3603P	PS3541B53P
H2655BGAB9B	H26VXBG0B9C			PS411155ACP	PS3603P	PS3541B49P
H2655BKA23B	H26VXBH023C			PS411155ACP	PS3603P	PS3541E53P
H2655PG323266CB	H26WXXG323CC	PS4137266CP		PS4111550CP	PS3603P	PS3541B53P
H2656BG2B9000FB	H26WXBG2B9000FC			PS4111560CP	PS3603P	PS3541B49P
H2657BBL49B	H26WXBBL49C			PS4111570CP	PS3603P	PS2828A49P
H2657BG2B9000CB	H26WXBG2B9000CC			PS4111570CP	PS3603P	PS3541B49P
H2657BG323000CB	H26WXBG323000CC			PS4111570CP	PS3603P	PS3541B53P
H2657PG323266CB	H26WXXG323CC	PS4137266CP		PS4111570CP	PS3603P	PS3541B53P
H2657PGAB9B	H26VXXG0B9C			PS411157ACP	PS3603P	PS3541B49P
H2658BGC23B	H26VXBG023C			PS411158CCP	PS3603P	PS3541B53P
H2658PGC23B	H26VXXG023C			PS411158CCP	PS3603P	PS3541B53P
H2665BG2B9000FB	H26WXBG2B9000FC			PS4111650CP	PS3603P	PS3541B49P
H2665BG323000FB	H26WXBG323000FC			PS4111650CP	PS3603P	PS3541B53P
H2665BGA23166B	H26VXBG023C	PS4138166CP		PS411165ACP	PS3603P	PS3541B53P
H2665BGC23001B	H26VXBG023C		PS4135CP	PS411165CCP	PS3603P	PS3541B53P
H2665BGC23155B	H26VXBG023C	PS4138155CP		PS411165CCP	PS3603P	PS3541B53P
H2665BGC83B	H26VXBG023C			PS411165CCP	PS3603P	PS3541B53P
H2665BGMB9266B	H26VXBG0B9C	PS4138266CP		PS411165MCP	PS3603P	PS3541B49P
H2666BG2B9000CB	H26WXBG2B9000CC			PS4111660CP	PS3603P	PS3541B49P
H2666BG2B9166FB	H26WXBG2B9000FC	PS4137166CP		PS4111660CP	PS3603P	PS3541B49P
H2666BG2B9266FB	H26WXBG2B9000FC	PS4137266CP		PS4111660CP	PS3603P	PS3541B49P
H2667BGMB9B	H26VXBG0B9C			PS411167MCP	PS3603P	PS3541B49P
H2667BKCB9166B	H26VXBH0B9C	PS4138166CP		PS411167CCP	PS3603P	PS3541E49P
H2667BKCB9B	H26VXBH0B9C			PS411167CCP	PS3603P	PS3541E49P
H2668BG2B9000FB	H26WXBG2B9000FC			PS4111680CP	PS3603P	PS3541B49P
H2668BG2B9000GB	H26WXBG2B9000GC			PS4111680CP	PS3603P	PS3541B49P
H2668BG2B9206FB	H26WXBG2B9000FC	PS4137206CP		PS4111680CP	PS3603P	PS3541B49P
H2668BG2B9266FB	H26WXBG2B9000FC	PS4137266CP		PS4111680CP	PS3603P	PS3541B49P
H2668BG2B9299FB	H26WXBG2B9000FC	PS4137299CP		PS4111680CP	PS3603P	PS3541B49P
H2668BGMB9266B	H26VXBG0B9C	PS4138266CP		PS411168MCP	PS3603P	PS3541B49P
H26A5BBL53B	H26WXBBL53C			P2NHS593SS	PS3603P	PS2828A53P
H26A5BG2B9000CB	H26WXBG2B9000CC			P2NHS593SS	PS3603P	PS3541B49P
H26A5BG323000CB	H26WXBG323000CC			P2NHS593SS	PS3603P	PS3541B53P
H26A5BG323000FB	H26WXBG323000FC			P2NHS593SS	PS3603P	PS3541B53P
H26A5BG3B9000FB	H26WXBG3B9000FC			P2NHS593SS	PS3603P	PS3541B49P
H26A5PG2B9000CB	H26WXXG2B9000CC			P2NHS593SS	PS3603P	PS3541B49P
H26A5PG2B9000FB	H26WXXG2B9000FC			P2NHS593SS	PS3603P	PS3541B49P
H26A5PG323000CB	H26WXXG323000CC			P2NHS593SS	PS3603P	PS3541B53P
H26B6PG2B9000CB	H26WXXG2B9000CC			PS41112500P	PS3603P	PS3541B49P
H26F6BG2B9000FB	H26WXBG2B9000FC			PS4111680CP	PS3603P	PS3541B49P
H26F6BG2B9299FB	H26WXBG2B9000FC	PS4137299CP		PS4111680CP	PS3603P	PS3541B49P
H26VXBG023B	H26VXBG023C				PS3603P	PS3541B53P
H26VXBG0B9B	H26VXBG0B9C				PS3603P	PS3541B49P
H26VXBK023B	H26VXBH023C				PS3603P	PS3541E53P
H26VXBK0B9B	H26VXBH0B9C				PS3603P	PS3541E49P
H26VXPG023B	H26VXXG023C				PS3603P	PS3541B53P
H26VXPG0B9B	H26VXXG0B9C				PS3603P	PS3541B49P
H26VXPK023B	H26VXXH023C				PS3603P	PS3541E53P
H26WXB0NXXB	H26WXX0NXXC				PS3603P	
H26WXBBL49B	H26WXBBL49C				PS3603P	PS2828A49P
H26WXBBL53B	H26WXBBL53C				PS3603P	PS2828A53P
H26WXBBL57B	H26WXBBL57C				PS3603P	PS2828A57P
H26WXBH2L49B	H26WXBBL49C				PS3603P	PS2828B49P
H26WXBCL53B	H26WXBCL53C				PS3603P	PS2828A53P

**"H" Series Cross-Reference Guide**



"H" Series Eng. Level "B"	Suggested isys Replacement	isys Regulator Kit	isys Flow Control Kit	isys Base Kit	Body Kit	Coil Kit
H26WXBG2B9000CB	H26WXBG2B9000CC				PS3603P	PS3541B49P
H26WXBG2B9000FB	H26WXBG2B9000FC				PS3603P	PS3541B49P
H26WXBG323000CB	H26WXBG323000CC				PS3603P	PS3541B53P
H26WXBG323000FB	H26WXBG323000FC				PS3603P	PS3541B53P
H26WXBG3B9000GB	H26WXBG3B9000GC				PS3603P	PS3541B49P
H26WXBG619000FB	H26WXBG619FC				PS3603P	PS2828619P
H26WXLBL53B	H26WXXBL53C				PS3603P	PS2828A53P
H26WXLG2B9000FB	H26WXXG2B9000FC				PS3603P	PS3541B49P
H26WXP2B9000CB	H26WXXG2B9000CC				PS3603P	PS3541B49P
H26WXP2B9000FB	H26WXXG2B9000FC				PS3603P	PS3541B49P
H26WXP323000CB	H26WXXG323000CC				PS3603P	PS3541B53P
H26WXP323000GB	H26WXXG323000GC				PS3603P	PS3541B53P
H26WXXG323000GB	H26WXXG323000GC				PS3603P	PS3541B53P
H2715BGA23B	H27VXBG023C			PS411115ACP	PS3604P	PS3541B53P
H2715PGA23B	H27VXXG023C			PS411115ACP	PS3604P	PS3541B53P
H2755BGA23166B	H27VXBG023C	PS4138166CP		PS4111155ACP	PS3604P	PS3541B53P
H2768BG2B9000FB	H27WXBG2B9000FC			PS41111680CP	PS3604P	PS3541B49P
H2768BG2B9000GB	H27WXBG2B9000GC			PS41111680CP	PS3604P	PS3541B49P
H27A6LG3B9000GB	H27WXXG3B9000GC			P2NHS513SS	PS3604P	PS3541B49P
H27VXBG023B	H27VXBG023C				PS3604P	PS3541B53P
H27VXBG0B9B	H27VXBG0B9C				PS3604P	PS3541B49P
H27VXBK023B	H27VXBH023C				PS3604P	PS3541E53P
H27VXLG0B9B	H27VXXG0B9C				PS3604P	PS3541B49P
H27WXB0NXXB	H27WXX0NXXC				PS3604P	
H27WXBBL53B	H27WXBBL53C				PS3604P	PS2828A53P
H27WXBBL57B	H27WXBBL57C				PS3604P	PS2828A57P
H27WXBG2B9000FB	H27WXBG2B9000FC				PS3604P	PS3541B49P
H27WXBG323000FB	H27WXBG323000FC				PS3604P	PS3541B53P
H27WXBG619000FB	H27WXBG619FC				PS3604P	PS2828619P
H27WXP2B9000FB	H27WXXG2B9000FC				PS3604P	PS3541B49P
H27WXP323000CB	H27WXXG323000CC				PS3604P	PS3541B53P
H27WXP323000GB	H27WXXG323000GC				PS3604P	PS3541B53P
H2815000XXB	H28WX000XXC			PS41111150CP	PS3602P	
H2857000XXB	H28WX000XXC			PS41111570P	PS3602P	
H28A5000XXB	H28WX000XXC			PS41111150CP	PS3602P	
H28VX000XXB	H28WX000XXC				PS3602P	
H28WX000XXB	H28WX000XXC				PS3602P	
H2915000XXB	H29WX000XXC			PS41111150CP	PS3603P	
H29WX000XXB	H29WX000XXC				PS3603P	
H2E15BBL53B	H2EWXBBL53C			PS41111150CP	PS3601P	PS2828A53P
H2E15BGA23001B	H2EVXBG023C		PS4135CP	PS4111115ACP	PS3601P	PS3541B53P
H2E15BGA23166B	H2EVXBG023C	PS4138166CP		PS4111115ACP	PS3601P	PS3541B53P
H2E15BGA23B	H2EVXBG023C			PS4111115ACP	PS3601P	PS3541B53P
H2E15BGA87B	H2EVXBB057C			PS4111115ACP	PS3601P	PS3441B57P
H2E15BGAB9B	H2EVXBG0B9C			PS4111115ACP	PS3601P	PS3541B49P
H2E15BGC15B	H2EVXBB045C			PS4111115CCP	PS3601P	PS3541B45P
H2E15BGC23B	H2EVXBG023C			PS4111115CCP	PS3601P	PS3541B53P
H2E15BGC9B	H2EVXBG0B9C			PS4111115CCP	PS3601P	PS3541B49P
H2E15BKA23166B	H2EVXBH023C	PS4138166CP		PS4111115ACP	PS3601P	PS3541E53P
H2E15PGCB9B	H2EVXXG0B9C			PS4111115CCP	PS3601P	PS3541B49P
H2E16BBL49B	H2EWXBBL49C			PS41111160CP	PS3601P	PS2828A49P
H2E16BBL53B	H2EWXBBL53C			PS41111160CP	PS3601P	PS2828A53P
H2E16BG2B9000FB	H2EWXBG2B9000FC			PS41111160CP	PS3601P	PS3541B49P
H2E16BG2B9166FB	H2EWXBG2B9000FC	PS4137166CP		PS41111160CP	PS3601P	PS3541B49P
H2E16BG619000FB	H2EWXBG619FC			PS41111160CP	PS3601P	PS2828619P

**"H" Series Cross-Reference Guide**



"H" Series Eng. Level "B"	Suggested isys Replacement	isys Regulator Kit	isys Flow Control Kit	isys Base Kit	Body Kit	Coil Kit
H2E17BBL53B	H2EWXBBL53C			PS4111170CP	PS3601P	PS2828A53P
H2E17BGA23B	H2EVXBG023C			PS411117ACP	PS3601P	PS3541B53P
H2E17BGC23260B	H2EVXBG023C	PS4138260CP		PS411117CCP	PS3601P	PS3541B53P
H2E17BGC23B	H2EVXBG023C			PS411117CCP	PS3601P	PS3541B53P
H2E17BGC87B	H2EVXBB057C			PS411117CCP	PS3601P	PS3441B57P
H2E17BGCB9B	H2EVXBG0B9C			PS411117CCP	PS3601P	PS3541B49P
H2E17BK923000FB	H2EVXBH023C			PS4111179FCP	PS3601P	PS3541E53P
H2E18BBL49B	H2EWXBBL49C			PS4111180CP	PS3601P	PS2828A49P
H2E28BG2B9000CB	H2EWXBG2B9000CC			PS4111280CP	PS3601P	PS3541B49P
H2E55BG3B9000GB	H2EWXBG3B9000GC			PS4111550CP	PS3601P	PS3541B49P
H2E55BGA23001B	H2EVXBG023C		PS4135CP	PS411155ACP	PS3601P	PS3541B53P
H2E55BGA23B	H2EVXBG023C			PS411155ACP	PS3601P	PS3541B53P
H2E55BGC23166B	H2EVXBG023C	PS4138166CP		PS411155CCP	PS3601P	PS3541B53P
H2E55BGC23466B	H2EVXBG023C	PS4138166CP	PS4135CP	PS411155CCP	PS3601P	PS3541B53P
H2E55BGC23B	H2EVXBG023C			PS411155CCP	PS3601P	PS3541B53P
H2E55BGMB9B	H2EVXBG0B9C			PS411155MCP	PS3601P	PS3541B49P
H2E55BKAB9B	H2EVXBH0B9C			PS411155ACP	PS3601P	PS3541E49P
H2E55LGCB9B	H2EVXXG0B9C			PS411155CCP	PS3601P	PS3541B49P
H2E56BG2B9000FB	H2EWXBG2B9000FC			PS4111560CP	PS3601P	PS3541B49P
H2E57BG2B9000FB	H2EWXBG2B9000FC			PS4111570CP	PS3601P	PS3541B49P
H2E57BG323000CB	H2EWXBG323000CC			PS4111570CP	PS3601P	PS3541B53P
H2E57BG3B9000GB	H2EWXBG3B9000GC			PS4111570CP	PS3601P	PS3541B49P
H2E57BGCB9B	H2EVXBG0B9C			PS411157CCP	PS3601P	PS3541B49P
H2E57BKCB9266B	H2EVXBH0B9C	PS4138266CP		PS411157CCP	PS3601P	PS3541E49P
H2E57BKCB9B	H2EVXBH0B9C			PS411157CCP	PS3601P	PS3541E49P
H2E57BKTB9266B	H2EVXBH0B9C	PS4138266CP		PS411157TCP	PS3601P	PS3541E49P
H2E57LG323000CB	H2EWXXG323000CC			PS4111570CP	PS3601P	PS3541B53P
H2E58BG2B9000CB	H2EWXBG2B9000CC			PS4111580CP	PS3601P	PS3541B49P
H2E58BG2B9001FB	H2EWXBG2B9000FC		PS4142CP	PS4111580CP	PS3601P	PS3541B49P
H2E58BGC23B	H2EVXBG023C			PS411158CCP	PS3601P	PS3541B53P
H2E58LG323000CB	H2EWXXG323000CC			PS4111580CP	PS3601P	PS3541B53P
H2E58PGC23B	H2EVXXG023C			PS411158CCP	PS3601P	PS3541B53P
H2E65BG2B9000FB	H2EWXBG2B9000FC			PS4111650CP	PS3601P	PS3541B49P
H2E65BG323000FB	H2EWXBG323000FC			PS4111650CP	PS3601P	PS3541B53P
H2E65BGA23B	H2EVXBG023C			PS411165ACP	PS3601P	PS3541B53P
H2E65BGC23B	H2EVXBG023C			PS411165CCP	PS3601P	PS3541B53P
H2E65BGC83B	H2EVXBG023C			PS411165CCP	PS3601P	PS3541B53P
H2E65BGCB9B	H2EVXBG0B9C			PS411165CCP	PS3601P	PS3541B49P
H2E65BGMB9266B	H2EVXBG0B9C	PS4138266CP		PS411165MCP	PS3601P	PS3541B49P
H2E65PG2B9000FB	H2EWXXG2B9000FC			PS4111650CP	PS3601P	PS3541B49P
H2E65PKA23B	H2EVXXH023C			PS411165ACP	PS3601P	PS3541E53P
H2E66BG2B9199FB	H2EWXBG2B9000FC	PS4137199CP		PS4111660CP	PS3601P	PS3541B49P
H2E67BG323206FB	H2EWXBG323000FC	PS4137206CP		PS4111670CP	PS3601P	PS3541B53P
H2E67BG3B9000FB	H2EWXBG3B9000FC			PS4111670CP	PS3601P	PS3541B49P
H2E67BGC23B	H2EVXBG023C			PS411167CCP	PS3601P	PS3541B53P
H2E67BGCB9166B	H2EVXBG0B9C	PS4138166CP		PS411167CCP	PS3601P	PS3541B49P
H2E67BGJB9B	H2EVXBG0B9C			PS411167JCP	PS3601P	PS3541B49P
H2E67BKCB9B	H2EVXBH0B9C			PS411167CCP	PS3601P	PS3541E49P
H2E67BKMB9B	H2EVXBH0B9C			PS411167MCP	PS3601P	PS3541E49P
H2E68BG2B9000FB	H2EWXBG2B9000FC			PS4111680CP	PS3601P	PS3541B49P
H2E68BG2B9000GB	H2EWXBG2B9000GC			PS4111680CP	PS3601P	PS3541B49P
H2E68BG2B9166FB	H2EWXBG2B9000FC	PS4137166CP		PS4111680CP	PS3601P	PS3541B49P
H2E68BG2B9260FB	H2EWXBG2B9000FC	PS4137260CP		PS4111680CP	PS3601P	PS3541B49P
H2EA5BG2B9000CB	H2EWXBG2B9000CC			P2NHS593SS	PS3601P	PS3541B49P
H2EA5BG2B9166CB	H2EWXBG2B9000CC	PS4137166CP		P2NHS593SS	PS3601P	PS3541B49P

**"H" Series Cross-Reference Guide**



"H" Series Eng. Level "B"	Suggested isys Replacement	isys Regulator Kit	isys Flow Control Kit	isys Base Kit	Body Kit	Coil Kit
H2EA5BG323000CB	H2EWXBG323000CC			P2NHS593SS	PS3601P	PS3541B53P
H2EA5BG323000FB	H2EWXBG323000FC			P2NHS593SS	PS3601P	PS3541B53P
H2EA5LBL49B	H2EWXXBL49C			P2NHS593SS	PS3601P	PS2828A49P
H2EA5LCL49166B	H2EWXXCL49C	PS4137166CP		P2NHS593SS	PS3601P	PS2828A49P
H2EA5LCP49166B	H2EWXXCL49C	PS4137166CP		P2NHS593SS	PS3601P	PS2828B49P
H2EA5LKBH9166B	H2EWXXH2B9000C	PS4137166CP		P2NHS593SS	PS3601P	PS3541E49P
H2EA5PKHB9166B	H2EWXXH2B9000C	PS4137166CP		P2NHS593SS	PS3601P	PS3541E49P
H2EA5PKHB9B	H2EWXXH0B9C			P2NHS593SS	PS3601P	PS3541E49P
H2EA6BG2B9000CB	H2EWXBG2B9000CC			P2NHS513SS	PS3601P	PS3541B49P
H2EA6BG3B9000GB	H2EWXBG3B9000GC			P2NHS513SS	PS3601P	PS3541B49P
H2EA6BG619000FB	H2EWXBG619FC			P2NHS513SS	PS3601P	PS2828619P
H2EF6BG2B9000FB	H2EWXBG2B9000FC			PS4111680CP	PS3601P	PS3541B49P
H2EF6BG2B9199FB	H2EWXBG2B9000FC	PS4137199CP		PS4111680CP	PS3601P	PS3541B49P
H2EVXBG015B	H2EVXBB045C				PS3601P	PS3541B45P
H2EVXBG023B	H2EVXBG023C				PS3601P	PS3541B53P
H2EVXBG087B	H2EVXBB057C				PS3601P	PS3441B57P
H2EVXBG0B9B	H2EVXBG0B9C				PS3601P	PS3541B49P
H2EVXBK023B	H2EVXBH023C				PS3601P	PS3541E53P
H2EVXBK0B9B	H2EVXBH0B9C				PS3601P	PS3541E49P
H2EVXLG015B	H2EVXXB045C				PS3601P	PS3541B45P
H2EVXLG023B	H2EVXXG023C				PS3601P	PS3541B53P
H2EVXPG023B	H2EVXXG023C				PS3601P	PS3541B53P
H2EVXPG0B9B	H2EVXXG0B9C				PS3601P	PS3541B49P
H2EWXB0NXXB	H2EWXX0NXXC				PS3601P	
H2EWXBBL42B	H2EWXBBL42C				PS3601P	PS2828A42P
H2EWXBBL49B	H2EWXBBL49C				PS3601P	PS2828A49P
H2EWXBBL53B	H2EWXBBL53C				PS3601P	PS2828A53P
H2EWXBBL57B	H2EWXBBL57C				PS3601P	PS2828A57P
H2EWXBH2L49B	H2EWXBBL49C				PS3601P	PS2828B49P
H2EWXBH2L53B	H2EWXBBL53C				PS3601P	P2828A53P
H2EWXBCL49B	H2EWXBCL49C				PS3601P	PS2828A49P
H2EWXBCL53B	H2EWXBCL53C				PS3601P	PS2828A53P
H2EWXBCL57B	H2EWXBBL57C				PS3601P	PS2828A57P
H2EWXBCL53B	H2EWXBCL53C				PS3601P	PS2828B53P
H2EWXBG123000FB	H2EWXBG123000FC				PS3601P	PS3541B53P
H2EWXBG123266FB	H2EWXBG123000FC	PS4137266CP			PS3601P	PS3541B53P
H2EWXBG2B9000CB	H2EWXBG2B9000CC				PS3601P	PS3541B49P
H2EWXBG2B9000FB	H2EWXBG2B9000FC				PS3601P	PS3541B49P
H2EWXBG323000CB	H2EWXBG323000CC				PS3601P	PS3541B53P
H2EWXBG323000FB	H2EWXBG323000FC				PS3601P	PS3541B53P
H2EWXBG3B9000CB	H2EWXBG3B9000CC				PS3601P	PS3541B49P
H2EWXBG3B9000FB	H2EWXBG3B9000FC				PS3601P	PS3541B49P
H2EWXBG3B9000GB	H2EWXBG3B9000GC				PS3601P	PS3541B49P
H2EWXBG619000FB	H2EWXBG619FC				PS3601P	PS2828619P
H2EWXBGV23B	H2EWXBGV23C				PS3601P	PS3541B53P
H2EWXBGVB9B	H2EWXBGVB9C				PS3601P	PS3541B49P
H2EWXBKH23B	H2EWXBH323C				PS3601P	PS3541B53P
H2EWXLBL49B	H2EWXXBL49C				PS3601P	PS2828A49P
H2EWXLBL53B	H2EWXXBL53C				PS3601P	PS2828A53P
H2EWXLCL49B	H2EWXXCL49C				PS3601P	PS2828A49P
H2EWXLCL53B	H2EWXXCL53C				PS3601P	PS2828A53P
H2EWXLG2B9000CB	H2EWXXG2B9000CC				PS3601P	PS3541B49P
H2EWXLG323000CB	H2EWXXG323000CC				PS3601P	PS3541B53P
H2EWXLGHB9B	H2EWXXG0B9C				PS3601P	PS3541B49P
H2EWXLK2B9000FB	H2EWXXH2B9000FC				PS3601P	PS3541E49P

**"H" Series Cross-Reference Guide**



"H" Series Eng. Level "B"	Suggested isys Replacement	isys Regulator Kit	isys Flow Control Kit	isys Base Kit	Body Kit	Coil Kit
H2EWXLKHB9B	H2EWXXH0B9C				PS3601P	PS3541B49P
H2EWXPBL49B	H2EWXXBL49C				PS3601P	PS2828A49P
H2EWXPCL49B	H2EWXXCL49C				PS3601P	PS2828A49P
H2EWXPCL53B	H2EWXXCL53C				PS3601P	PS2828A53P
H2EWXPG123000FB	H2EWXXG123000FC				PS3601P	PS3541B53P
H2EWXPG123000GB	H2EWXXG123000GC				PS3601P	PS3541B53P
H2EWXPG2B9000CB	H2EWXXG2B9000CC				PS3601P	PS3541B49P
H2EWXPG2B9000FB	H2EWXXG2B9000FC				PS3601P	PS3541B49P
H2EWXPG323000CB	H2EWXXG323000CC				PS3601P	PS3541B53P
H2EWXPK2B9000FB	H2EWXXH2B9000FC				PS3601P	PS3541E49P
H2EWXPKHB9B	H2EWXXH0B9C				PS3601P	PS3541B49P
H2EWXXG123000FB	H2EWXXG123000FC				PS3601P	PS3541B53P
H2F18000XXB	H2FWX000XXC			PS4111180CP	PS3601P	
H2FC6000XXB	H2FWX000XXC			PS4111250CP	PS3601P	
H2FVX000XXB	H2FWX000XXC				PS3601P	
H2FWX000XXB	H2FWX000XXC				PS3601P	
H30WX000XXB	H30WX000XXC				PS3704P	
H3117BBL53B	H31WXBBL53C			PS4211170CP	PS3701P	PS2828A53P
H3117BGA23B	H31VXBG023C			PS421117ACP	PS3701P	PS3541B53P
H3117BGA87B	H31VXBB057C			PS421117ACP	PS3701P	PS3541B57P
H3117BGAB9B	H31VXBG0B9C			PS421117ACP	PS3701P	PS3541B49P
H3117BGC23B	H31VXBG023C			PS421117ACP	PS3701P	PS3541B53P
H3117BKA23B	H31VXBH023C			PS421117ACP	PS3701P	PS3541B53P
H3117PGA23B	H31VXXG023C			PS421117ACP	PS3701P	PS3541B53P
H3117PGAB9B	H31VXXG0B9C			PS421117ACP	PS3701P	PS3541B49P
H3118BBL53B	H31WXBBL53C			PS4211180CP	PS3701P	PS2828A53P
H3119BGA23B	H31VXBG023C			PS421119ACP	PS3701P	PS3541B53P
H3119BGC23B	H31VXBG023C			PS421119CCP	PS3701P	PS3541B53P
H3127BGA23B	H31VXBG023C			PS421127ACP	PS3701P	PS3541B53P
H3157BGA23B	H31VXBG023C			PS421157ACP	PS3701P	PS3541B53P
H3157BGAB9B	H31VXBG0B9C			PS421157ACP	PS3701P	PS3541B49P
H3157BKA23B	H31VXBH023C			PS421157ACP	PS3701P	PS3541B53P
H3157PKA23B	H31VXXH023C			PS421157ACP	PS3701P	PS3541B53P
H31VXBG023B	H31VXBG023C				PS3701P	PS3541B53P
H31VXBG087B	H31VXBB057C				PS3701P	PS3541B57P
H31VXBG0B9B	H31VXBG0B9C				PS3701P	PS3541B49P
H31VXBK023B	H31VXBH023C				PS3701P	PS3541B53P
H31VXBK083B	H31VXBH023C				PS3701P	PS3541B53P
H31WXBBL49B	H31WXBBL49C				PS3701P	PS2828A49P
H31WXBBL53B	H31WXBBL53C				PS3701P	PS2828A53P
H31WXBH3L53B	H31WXBBL53C				PS3701P	PS2828A53P
H31WXBG323000FB	H31WXBG323000FC				PS3701P	PS3541B53P
H31WXPBL53B	H31WXXBL53C				PS3701P	PS2828A53P
H3210BBL49B	H32WXBBL49C			PS421110CP	PS3701P	
H3217BBL49B	H32WXBBL49C			PS4211170CP	PS3701P	PS2828A49P
H3217BG323000GB	H32WXBG323000GC			PS4211170CP	PS3701P	PS3541B53P
H3217BGA23001B	H32VXBG023C		PS4235CP	PS421117ACP	PS3701P	PS3541B53P
H3217BGA23B	H32VXBG023C			PS421117ACP	PS3701P	PS3541B53P
H3217BGA83B	H32VXBG023C			PS421117ACP	PS3701P	PS3541B53P
H3217BGA87B	H32VXBB057C			PS421117ACP	PS3701P	PS3541B57P
H3217BGAB9B	H32VXBG0B9C			PS421117ACP	PS3701P	PS3541B49P
H3217BGC23B	H32VXBG023C			PS421117ACP	PS3701P	PS3541B53P
H3217BGC8B9B	H32VXBG0B9C			PS421117ACP	PS3701P	PS3541B49P
H3217BKA23B	H32VXBH023C			PS421117ACP	PS3701P	PS3541B53P
H3217PKA23266B	H32VXXH023C	PS4238266CP		PS421117ACP	PS3701P	PS3541B53P

H3

**"H" Series Cross-Reference Guide**



"H" Series Eng. Level "B"	Suggested isys Replacement	isys Regulator Kit	isys Flow Control Kit	isys Base Kit	Body Kit	Coil Kit
H3218BBL49B	H32WXBBL49C			PS4211180CP	PS3701P	PS2828A49P
H3218BG3B9000GB	H32WXBG3B9000GC			PS4211170CP	PS3701P	PS3541B49P
H3219BBL53B	H32WXBBL53C			PS4211190CP	PS3701P	PS2828A53P
H3219BG3B9000GB	H32WXBG3B9000GC			PS4211190CP	PS3701P	PS3541B49P
H3219BGA23B	H32VXBG023C			PS421119ACP	PS3701P	PS3541B53P
H3219BGC23001B	H32VXBG023C		PS4235CP	PS421119CCP	PS3701P	PS3541B53P
H3219BGC23B	H32VXBG023C			PS421119CCP	PS3701P	PS3541B53P
H3219BGV23B	H32WXBGV23C			PS4211190CP	PS3701P	PS3541B53P
H3219BGV87B	H32WXBBV87C			PS4211190CP	PS3701P	PS2828A57P
H3220BG8B9000FB	H32VXBG0B9C			PS421128FCP	PS3701P	PS3541B49P
H3229BGC23B	H32VXBG023C			PS421129CCP	PS3701P	PS3541B53P
H3257BG323000FB	H32WXBG323000FC			PS4211570CP	PS3701P	PS3541B53P
H3257BGA23B	H32VXBG023C			PS421157ACP	PS3701P	PS3541B53P
H3257BGAB9B	H32VXBG0B9C			PS421157ACP	PS3701P	PS3541B49P
H3257BGCB9B	H32VXBG0B9C			PS421157CCP	PS3701P	PS3541B49P
H3257BKA23001B	H32VXBH023C		PS4235CP	PS421157ACP	PS3701P	PS3541B53P
H3257BKA23B	H32VXBH023C			PS421157ACP	PS3701P	PS3541B53P
H3257PKA23266B	H32VXXH023C	PS4238266CP		PS421157ACP	PS3701P	PS3541B53P
H3258BG3B9000GB	H32VXBG0B9C			PS4211580CP	PS3701P	PS3541B49P
H3259BGC23B	H32VXBG023C			PS421159CCP	PS3701P	PS3541B53P
H3259BGCB9B	H32VXBG0B9C			PS421159CCP	PS3701P	PS3541B49P
H3267BBL53B	H32WXBBL53C			PS4211670CP	PS3701P	PS2828A53P
H3267BGC23B	H32VXBG023C			PS421167CCP	PS3701P	PS3541B53P
H3267BGCB9266B	H32VXBG0B9C	PS4238266CP		PS421167CCP	PS3701P	PS3541B49P
H3267BGCB9B	H32VXBG0B9C			PS421167CCP	PS3701P	PS3541B49P
H3267BKA23B	H32VXBH023C			PS421167ACP	PS3701P	PS3541B53P
H3268BGAB9B	H32VXBG0B9C			PS421168ACP	PS3701P	PS3541B49P
H3268BGCB9B	H32VXBG0B9C			PS421169CCP	PS3701P	PS3541B49P
H3269BGC23B	H32VXBG023C			PS421169CCP	PS3701P	PS3541B53P
H3269BGCB9B	H32VXBG0B9C			PS421169CCP	PS3701P	PS3541B49P
H3269BKA23B	H32VXBH023C			PS421169ACP	PS3701P	PS3541B53P
H3269PGA23266B	H32VXXG023C	PS4238266CP		PS421169ACP	PS3701P	PS3541B53P
H32VXBG023B	H32VXBG023C				PS3701P	PS3541B53P
H32VXBG0B9B	H32VXBG0B9C				PS3701P	PS3541B49P
H32VXBK023B	H32VXBH023C				PS3701P	PS3541B53P
H32VXPG023B	H32VXXG023C				PS3701P	PS3541B53P
H32WXB0NXXB	H32WXX0NXXC				PS3701P	
H32WXBBL49B	H32WXBBL49C				PS3701P	PS2828A49P
H32WXBBL53B	H32WXBBL53C				PS3701P	PS2828A53P
H32WXBH3L49B	H32WXBBL49C				PS3701P	PS2828A49P
H32WXBCL53B	H32WXBCL53C				PS3701P	PS2828A53P
H32WXBPC53B	H32WXBCL53C				PS3701P	PS2828A53P
H32WXBG2B9000CB	H32WXBG2B9000CC				PS3701P	PS3541B49P
H32WXBG2B9000FB	H32WXBG2B9000FC				PS3701P	PS3541B49P
H32WXBG323000CB	H32WXBG323000CC				PS3701P	PS3541B53P
H32WXBG323000FB	H32WXBG323000FC				PS3701P	PS3541B53P
H32WXBG323000GB	H32WXBG323000GC				PS3701P	PS3541B53P
H32WXBG3B9000CB	H32WXBG3B9000CC				PS3701P	PS3541B49P
H32WXBG3B9000GB	H32WXBG3B9000GC				PS3701P	PS3541B49P
H32WXBG619000FB	H32WXBG619FC				PS3701P	PS2828619P
H32WXBGV23B	H32WXBGV23C				PS3701P	PS3541B53P
H32WXP2B9000FB	H32WXXG2B9000FC				PS3701P	PS3541B49P
H32WXP323000GB	H32WXXG323000GC				PS3701P	PS3541B53P
H3319000XXB	H33WX000XXC			PS4211190CP	PS3701P	
H33WX000XXB	H33WX000XXC				PS3701P	

**"H" Series Cross-Reference Guide**



"H" Series Eng. Level "B"	Suggested isys Replacement	isys Regulator Kit	isys Flow Control Kit	isys Base Kit	Body Kit	Coil Kit
H3410000XXB	H34WX000XXC				PS3701P	
H3417000XXB	H34WX000XXC			PS4211170CP	PS3701P	
H34C8000XXB	H34WX000XXC			PS421110CP	PS3701P	
H34VX000XXB	H34WX000XXC				PS3701P	
H34WX000XXB	H34WX000XXC				PS3701P	
<hr/>						
H3517BBL49B	H35WXBBL49C			PS4211170CP	PS3702P	PS2828A49P
H3517BBL53B	H35WXBBL53C			PS4211170CP	PS3702P	PS2828A53P
H3517BG8B9000FB	H35VXBG0B9C			PS421117ACCCP	PS3702P	PS3541B49P
H3517BGA23B	H35VXBG023C			PS421117ACP	PS3702P	PS3541B53P
H3517BGA87B	H35VXBB057C			PS421117ACP	PS3702P	PS3541B57P
<hr/>						
H3517BGAB9001B	H35VXBG0B9C		PS4235CP	PS421117ACP	PS3702P	PS3541B49P
H3517BGAB9B	H35VXBG0B9C			PS421117ACP	PS3702P	PS3541B49P
H3517BGBB9B	H35VXBG0B9C			PS421117ACP	PS3702P	PS3541B49P
H3517BGC23B	H35VXBG023C			PS421117ACP	PS3702P	PS3541B53P
H3517BGCB9B	H35VXBG0B9C			PS421117ACP	PS3702P	PS3541B49P
<hr/>						
H3517BKA23B	H35VXBH023C			PS421117ACP	PS3702P	PS3541B53P
H3519BBL53001B	H35WXBBL53C		PS4235CP	PS4211190CP	PS3702P	PS2828A53P
H3519BBL53B	H35WXBBL53C			PS4211190CP	PS3702P	PS2828A53P
H3519BG323000FB	H35WXBG323000FC			PS4211190CP	PS3702P	PS3541B53P
H3519BGA23B	H35VXBG023C			PS421119ACP	PS3702P	PS3541B53P
<hr/>						
H3519BGA83B	H35VXBG023C			PS421119ACP	PS3702P	PS3541B53P
H3519BGV87B	H35WXBBV87C			PS4211190CP	PS3702P	PS2828A57P
H3557BG8B9000FB	H35VXBG0B9C			PS4211578FCP	PS3702P	PS3541B49P
H3557BGA23B	H35VXBG023C			PS421157ACP	PS3702P	PS3541B53P
H3557BGBB9B	H35VXBG0B9C			PS421157ACP	PS3702P	PS3541B49P
<hr/>						
H3557BKA23001B	H35VXBH023C		PS4235CP	PS421157ACP	PS3702P	PS3541B53P
H3567BGB23266B	H35VXBG023C	PS4238266CP		PS421167ACP	PS3702P	PS3541B53P
H3567BGC23466B	H35VXBG023C	PS4238166CP	PS4235CP	PS421167CCP	PS3702P	PS3541B53P
H3567BGCB9266B	H35VXBG0B9C	PS4238266CP		PS421167CCP	PS3702P	PS3541B49P
H3569BBL49B	H35WXBBL49C			PS4211690CP	PS3702P	PS2828A49P
<hr/>						
H3569BGC23B	H35VXBG023C			PS421169CCP	PS3702P	PS3541B53P
H3569BGCB9B	H35VXBG0B9C			PS421169CCP	PS3702P	PS3541B49P
H3569BKA23B	H35VXBH023C			PS421169ACP	PS3702P	PS3541B53P
H35VXBG023B	H35VXBG023C				PS3702P	PS3541B53P
H35VXBG083B	H35VXBG023C				PS3702P	PS3541B53P
<hr/>						
H35VXBG087B	H35VXBB057C				PS3702P	PS3541B57P
H35VXBG0B9B	H35VXBG0B9C				PS3702P	PS3541B49P
H35VXBK023B	H35VXBH023C				PS3702P	PS3541B53P
H35VXBK083B	H35VXBH023C				PS3702P	PS3541B53P
H35VXPG023B	H35VXXG023C				PS3702P	PS3541B53P
<hr/>						
H35VXPG0B9B	H35VXXG0B9C				PS3702P	PS3541B49P
H35WXB0NXXB	H35WXX0NXXC				PS3702P	
H35WXBBL49B	H35WXBBL49C				PS3702P	PS2828A49P
H35WXBBL53B	H35WXBBL53C				PS3702P	PS2828A53P
H35WXBH3L53B	H35WXBBL53C				PS3702P	PS2828A53P
<hr/>						
H35WXBG2B9000CB	H35WXBG2B9000CC				PS3702P	PS3541B49P
H35WXBG2B9000FB	H35WXBG2B9000FC				PS3702P	PS3541B49P
H35WXBG323000CB	H35WXBG323000CC				PS3702P	PS3541B53P
H35WXBG323000FB	H35WXBG323000FC				PS3702P	PS3541B53P
H35WXBG323000GB	H35WXBG323000GC				PS3702P	PS3541B53P
<hr/>						
H35WXBG3B9000CB	H35WXBG3B9000CC				PS3702P	PS3541B49P
H35WXBG3B9000FB	H35WXBG3B9000FC				PS3702P	PS3541B49P
H35WXBG3B9000GB	H35WXBG3B9000GC				PS3702P	PS3541B49P
H35WXBGV87B	H35WXBBV87C				PS3702P	PS2828A57P
H35WXPBL53B	H35WXXBL53C				PS3702P	PS2828A53P



**"H" Series Cross-Reference Guide**



"H" Series Eng. Level "B"	Suggested isys Replacement	isys Regulator Kit	isys Flow Control Kit	isys Base Kit	Body Kit	Coil Kit
H3617BBL53B	H36WXBBL53C			PS4211170CP	PS3703P	PS2828A53P
H3617BG323001FB	H36WXBG323000FC		PS4235CP	PS4211170CP	PS3703P	PS3541B53P
H3617BGA23B	H36VXBG023C			PS421117ACP	PS3703P	PS3541B53P
H3617BGC9B	H36VXBG09C			PS421117ACP	PS3703P	PS3541B49P
H3617BKAB9B	H36VXBH09C			PS421117ACP	PS3703P	PS3541B49P
H3619BBL53B	H36WXBBL53C			PS4211190CP	PS3703P	PS2828A53P
H3619BGC23001B	H36VXBG023C		PS4235CP	PS421119CCP	PS3703P	PS3541B53P
H3619BGC23B	H36VXBG023C			PS421119CCP	PS3703P	PS3541B53P
H3657BGA23B	H36VXBG023C			PS421157ACP	PS3703P	PS3541B53P
H3657BGAB9B	H36VXBG09C			PS421157ACP	PS3703P	PS3541B49P
H3657BKA23001B	H36VXBH023C		PS4235CP	PS421157ACP	PS3703P	PS3541B53P
H3657PGAB9B	H36VXXG09C			PS421157ACP	PS3703P	PS3541B49P
H3659BGBM9B	H36VXBG09C			PS421159MCP	PS3703P	PS3541B49P
H3660BG2B9266FB	H36WXBG2B9000FC	PS4237266CP		PS421160CP	PS3703P	PS3541B49P
H3667BKA23B	H36VXBH023C			PS421167ACP	PS3703P	PS3541B53P
H3669BG323266CB	H36WXBG323000CC	PS4237266CP		PS4211690CP	PS3703P	PS3541B53P
H3669BGC9166B	H36VXBG09C	PS4238166CP		PS421169CCP	PS3703P	PS3541B49P
H36F8BG2B9000CB	H36WXBG2B9000CC			PS421160CP	PS3703P	PS3541B49P
H36F8BG2B9000FB	H36WXBG2B9000FC			PS421160CP	PS3703P	PS3541B49P
H36VXBG023B	H36VXBG023C				PS3703P	PS3541B53P
H36VXBG087B	H36VXBB057C				PS3703P	PS3541B57P
H36VXBG09B	H36VXBG09C				PS3703P	PS3541B49P
H36VXBK023B	H36VXBH023C				PS3703P	PS3541B53P
H36VXHK023B	H36VXBG023C				PS3703P	PS3541B53P
H36VXLK023B	H36VXXH023C				PS3703P	PS3541B53P
H36VXPK023B	H36VXXH023C				PS3703P	PS3541B53P
H36WXB0NXXB	H36WXX0NXXC				PS3703P	
H36WXBBL49B	H36WXBBL49C				PS3703P	PS2828A49P
H36WXBBL53B	H36WXBBL53C				PS3703P	PS2828A53P
H36WXBG2B9000CB	H36WXBG2B9000CC				PS3703P	PS3541B49P
H36WXBG2B9000FB	H36WXBG2B9000FC				PS3703P	PS3541B49P
H36WXBG323000CB	H36WXBG323000CC				PS3703P	PS3541B53P
H36WXBG323000FB	H36WXBG323000FC				PS3703P	PS3541B53P
H36WXBG3B9000GB	H36WXBG3B9000GC				PS3703P	PS3541B49P
H36WXBG619000FB	H36WXBG619FC				PS3703P	PS2828619P
H36WXEG2B9000CB	H36WXBG2B9000CC				PS3703P	PS3541B49P
H36WXP2B9000FB	H36WXXG2B9000FC				PS3703P	PS3541B49P
H3717BH3L49B	H37WXBBL49C			PS4211170CP	PS3704P	PS2828A49P
H3717BGA23B	H37VXBG023C			PS421117ACP	PS3704P	PS3541B53P
H3717BGAB9B	H37VXBG09C			PS421117ACP	PS3704P	PS3541B49P
H3718BBL53B	H37WXBBL53C			PS4211180CP	PS3704P	PS2828A53P
H3718BBL57B	H37WXBBL57C			PS4211180CP	PS3704P	PS2828A57P
H3757BGA23B	H37VXBG023C			PS421157ACP	PS3704P	PS3541B53P
H37VXBG023B	H37VXBG023C				PS3704P	PS3541B53P
H37VXBG09B	H37VXBG09C				PS3704P	PS3541B49P
H37VXBK023B	H37VXBH023C				PS3704P	PS3541B53P
H37WXB0NXXB	H37WXX0NXXC				PS3704P	
H37WXBBL53B	H37WXBBL53C				PS3704P	PS2828A53P
H37WXBG2B9000FB	H37WXBG2B9000FC				PS3704P	PS3541B49P
H37WXBG619000FA	H37WXBG619FC				PS3704P	PS2828619P
H37WXBG619000FB	H37WXBG619FC				PS3704P	PS2828619P
H3817000XX001B	H38WX000XXC		PS4235CP	PS4211170CP	PS3702P	
H3817000XXB	H38WX000XXC			PS4211170CP	PS3702P	
H3857000XXB	H38WX000XXC			PS4211570P	PS3702P	
H38VX000XXB	H38VX000XXC				PS3702P	

**"H" Series Cross-Reference Guide**



"H" Series Eng. Level "B"	Suggested isys Replacement	isys Regulator Kit	isys Flow Control Kit	isys Base Kit	Body Kit	Coil Kit
H38WX000XXB	H38WX000XXC				PS3702P	
H3917000XXB	H39WX000XXC			PS4211170CP	PS3703P	
H39WX000XXB	H39WX000XXC				PS3703P	
H3E10BG2B9000GB	H3EVXBG2B9C			PS421110CP	PS3701P	
H3E17BBL49B	H3EWXBBL49C			PS4211170CP	PS3701P	PS2828A49P
H3E17BH3L53B				PS4211170CP	PS3701P	PS2828A53P
H3E17BCL53B				PS4211170CP	PS3701P	PS2828A53P
H3E17BG2B9000GB	H3EWXBG2B9000GC			PS4211170CP	PS3701P	PS3541B49P
H3E17BG383000FB				PS4211170CP	PS3701P	PS2828A53P
H3E17BG387000FB				PS4211170CP	PS3701P	PS2828A57P
H3E17BGA23001B	H3EVXBG023C		PS4235CP	PS421117ACP	PS3701P	PS3541B53P
H3E17BGA23B	H3EVXBG023C			PS421117ACP	PS3701P	PS3541B53P
H3E17BGA87B	H3EVXBB057C			PS421117ACP	PS3701P	PS3541B57P
H3E17BGC23B	H3EVXBG023C			PS421117ACP	PS3701P	PS3541B53P
H3E17BGCB9B	H3EVXBG0B9C			PS421117ACP	PS3701P	PS3541B49P
H3E17BKA23001B	H3EVXBH023C		PS4235CP	PS421117ACP	PS3701P	PS3541B53P
H3E17BKA23B	H3EVXBH023C			PS421117ACP	PS3701P	PS3541B53P
H3E17PGA23B	H3EVXXG023C			PS421117ACP	PS3701P	PS3541B53P
H3E19BBL49B	H3EWXBBL49C			PS4211190CP	PS3701P	PS2828A49P
H3E19BGA83B	H3EVXBG023C			PS421119ACP	PS3701P	PS3541B53P
H3E19BGAB9B	H3EVXBG0B9C			PS421119ACP	PS3701P	PS3541B49P
H3E19BGC23001B	H3EVXBG023C		PS4235CP	PS421119CCP	PS3701P	PS3541B53P
H3E19BGC23B	H3EVXBG023C			PS421119CCP	PS3701P	PS3541B53P
H3E19BGCB9B	H3EVXBG0B9C			PS421119CCP	PS3701P	PS3541B49P
H3E19LGC23B	H3EVXXG023C			PS421119CCP	PS3701P	PS3541B53P
H3E20BG8B9166CB	H3EVXBG0B9C		PS4238166CP	PS421128CCP	PS3701P	PS3541B49P
H3E28BGC23B	H3EVXBG023C			PS421128CCP	PS3701P	PS3541B53P
H3E29BGA23B	H3EVXBG023C			PS421129ACP	PS3701P	PS3541B53P
H3E57BBL53B	H3EWXBBL53C			PS4211570CP	PS3701P	PS3541B53P
H3E57BGA23166B	H3EVXBG023C		PS4238166CP	PS421157ACP	PS3701P	PS3541B53P
H3E57BGA23B	H3EVXBG023C			PS421157ACP	PS3701P	PS3541B53P
H3E57BGA83B	H3EVXBG023C			PS421157ACP	PS3701P	PS3541B53P
H3E57BGAB9001B	H3EVXBG0B9C		PS4235CP	PS421157ACP	PS3701P	PS3541B49P
H3E57BGC23B	H3EVXBG023C			PS421157CCP	PS3701P	PS3541B53P
H3E57BKC23001B	H3EVXBH023C		PS4235CP	PS421157CCP	PS3701P	PS3541B53P
H3E57LGA23B	H3EVXXG023C			PS421157ACP	PS3701P	PS3541B53P
H3E59BGC23B	H3EVXBG023C			PS421159CCP	PS3701P	PS3541B53P
H3E59BGJB9B	H3EVXBG0B9C			PS421159JCP	PS3701P	PS3541B49P
H3E60BG2B9166FB			PS4237166CP	PS421160CP	PS3701P	PS3541B49P
H3E67BBL53B				PS4211670CP	PS3701P	PS2828A53P
H3E67BG2B9000FB				PS4211670CP	PS3701P	PS3541B49P
H3E67BG383001FB				PS4211670CP	PS3701P	PS2828A53P
H3E67BGA23B	H3EVXBG023C			PS421167ACP	PS3701P	PS3541B53P
H3E67BGC23B	H3EVXBG023C			PS421167CCP	PS3701P	PS3541B53P
H3E67BGCB9166B	H3EVXBG0B9C		PS4238166CP	PS421167CCP	PS3701P	PS3541B49P
H3E67BGCB9B	H3EVXBG0B9C			PS421167CCP	PS3701P	PS3541B49P
H3E67BKA23B	H3EVXBH023C			PS421167ACP	PS3701P	PS3541B53P
H3E69BGC23B	H3EVXBG023C			PS421169CCP	PS3701P	PS3541B53P
H3EVXBG023B	H3EVXBG023C				PS3701P	PS3541B53P
H3EVXBG083B	H3EVXBG023C				PS3701P	PS3541B53P
H3EVXBG0B9B	H3EVXBG0B9C				PS3701P	PS3541B49P
H3EVXBK023B	H3EVXBH023C				PS3701P	PS3541B53P
H3EVXLG023B	H3EVXXG023C				PS3701P	PS3541B53P
H3EVXLG083B	H3EVXXG023C				PS3701P	PS3541B53P
H3EVXLG0B9B	H3EVXXG0B9C				PS3701P	PS3541B49P



**"H" Series Cross-Reference Guide**

"H" Series Eng. Level "B"	Suggested iSYS Replacement	iSYS Regulator Kit	iSYS Flow Control Kit	iSYS Base Kit	Body Kit	Coil Kit
H3EVXPG023B .....	H3EVXG023C .....				PS3701P .....	PS3541B53P
H3EWXB0NXXB .....					PS3701P .....	
H3EWXBBL49B .....	H3EWXBBL49C .....				PS3701P .....	PS2828A49P
H3EWXBBL53001B .....					PS3701P .....	PS2828A53P
H3EWXBBL53B .....					PS3701P .....	PS2828A53P
H3EWXBBL57B .....					PS3701P .....	PS2828A57P
H3EWXBH3L53B .....					PS3701P .....	PS2828A53P
H3EWXBCL53B .....					PS3701P .....	PS2828A53P
H3EWXBG2B9000CB .....					PS3701P .....	PS3541B49P
H3EWXBG2B9000FB .....					PS3701P .....	PS3541B49P
H3EWXBG2B9000GB .....	H3EWXBG2B9000GC .....				PS3701P .....	PS3541B49P
H3EWXBG323000CB .....	H3EWXBG323000CC .....				PS3701P .....	PS3541B53P
H3EWXBG323000FB .....	H3EWXBG323000FC .....				PS3701P .....	PS3541B53P
H3EWXBG323000GB .....	H3EWXBG323000GC .....				PS3701P .....	PS3541B53P
H3EWXBG3B9000CB .....					PS3701P .....	PS3541B49P
H3EWXBG3B9000FB .....					PS3701P .....	PS3541B49P
H3EWXPBL53B .....					PS3701P .....	PS2828A53P
H3EWXPG2B9000FB .....					PS3701P .....	PS3541B49P
H3F17000XX1DDB .....				PS4211170CP .....	PS3701P .....	
H3F17000XXB .....				PS4211170CP .....	PS3701P .....	
H3F19000XXB .....				PS4211190CP .....	PS3701P .....	
H3FWX000XXB .....					PS3701P .....	

**"F" Series Cross-Reference Guide**



**F3**

"F" Series	Suggested iSYS Replacement	Body Kit	Coil Kit
F3011000XXA	F30VX000XXA	PS3404P	none
F3012000XXA	F30VX000XXA	PS3404P	none
F3052000XXA	F30VX000XXA	PS3404P	none
F30VX000XXA	F30VX000XXA	PS3404P	none
F3111BBA49A	F31VXBB049A	PS3401P	PS3541B49P
F3111BBA53001A	F31VXBB053A	PS3401P	PS3541B53P
F3111BBC45A	F31VXBB045A	PS3401P	PS3541B45P
F3111BBC49A	F31VXBB049A	PS3401P	PS3541B49P
F3111BGA19A	F31VXBG019A	PS3401P	PS3541B49P
F3111BGA23A	F31VXBG023A	PS3401P	PS3541B53P
F3111BGA87A	F31VXBG087A	PS3401P	PS3541B53P
F3111BGB12A	F31VXBG012A	PS3401P	PS3541B42P
F3111BGC19001A	F31VXBG019A	PS3401P	PS3541B49P
F3111BGC19466A	F31VXBG019A	PS3401P	PS3541B49P
F3111BGC19A	F31VXBG019A	PS3401P	PS3541B49P
F3111BGC23001A	F31VXBG023A	PS3401P	PS3541B53P
F3111BGC23166A	F31VXBG023A	PS3401P	PS3541B53P
F3111BGC23A	F31VXBG023A	PS3401P	PS3541B53P
F3111BGC87001A	F31VXBG087A	PS3401P	PS3541B53P
F3111BGT19A	F31VXBG019A	PS3401P	PS3541B49P
F3111BHA23A	F31VXBH023A	PS3401P	PS3541C53P
F3111BHC19A	F31VXBH019A	PS3401P	PS3541C49P
F3111BHC23A	F31VXBH023A	PS3401P	PS3541C53P
F3111BHT19A	F31VXBH019A	PS3401P	PS3541C49P
F3111BKA23A	F31VXBK023A	PS3401P	PS3541E53P
F3111BKC23A	F31VXBK023A	PS3401P	PS3541E53P
F3111LGC19166A	F31VXLG019A	PS3401P	PS3541B49P
F3111LGC19A	F31VXLG019A	PS3401P	PS3541B49P
F3112BBA49001A	F31VXBB049A	PS3401P	PS3541B49P
F3112BBA49A	F31VXBB049A	PS3401P	PS3541B49P
F3112BBA53A	F31VXBB053A	PS3401P	PS3541B53P
F3112BCA53A	F31VXBC053A	PS3401P	PS3541B53P
F3112BCA57A	F31VXBC057A	PS3401P	PS3541B57P
F3112BG787166CA	F31VXBG087A	PS3401P	PS3541B53P
F3112BG787166FA	F31VXBG087A	PS3401P	PS3541B53P
F3112BG787166GA	F31VXBG087A	PS3401P	PS3541B53P
F3112BG819466FA	F31VXBG019A	PS3401P	PS3541B49P
F3112BG919000FA	F31VXBG019A	PS3401P	PS3541B49P
F3112BGA12A	F31VXBG012A	PS3401P	PS3541B42P
F3112BGA19A	F31VXBG019A	PS3401P	PS3541B49P
F3112BGA23001A	F31VXBG023A	PS3401P	PS3541B53P
F3112BGA23A	F31VXBG023A	PS3401P	PS3541B53P
F3112BGB12001A	F31VXBG012A	PS3401P	PS3541B42P
F3112BGB19001A	F31VXBG019A	PS3401P	PS3541B49P
F3112BGB19A	F31VXBG019A	PS3401P	PS3541B49P
F3112BGB23001A	F31VXBG023A	PS3401P	PS3541B53P
F3112BGB23A	F31VXBG023A	PS3401P	PS3541B53P
F3112BGB87001A	F31VXBG087A	PS3401P	PS3541B53P
F3112BGC15001A	F31VXBG015A	PS3401P	PS3541B45P
F3112BGC19166A	F31VXBG019A	PS3401P	PS3541B49P
F3112BGC19466A	F31VXBG019A	PS3401P	PS3541B49P
F3112BGC19A	F31VXBG019A	PS3401P	PS3541B49P
F3112BGC23001A	F31VXBG023A	PS3401P	PS3541B53P
F3112BGC23166A	F31VXBG023A	PS3401P	PS3541B53P
F3112BGC23266A	F31VXBG023A	PS3401P	PS3541B53P

**"F" Series Cross-Reference Guide**

"F" Series	Suggested iSYS Replacement	Body Kit	Coil Kit
F3112BGC23A	F31VXBG023A	PS3401P	PS3541B53P
F3112BGC87166A	F31VXBG087A	PS3401P	PS3541B57P
F3112BGT19A	F31VXBG019A	PS3401P	PS3541B49P
F3112BHA19A	F31VXBH019A	PS3401P	PS3541C49P
F3112BHA23A	F31VXBH023A	PS3401P	PS3541C53P
F3112BHA53166A	F31VXBH053A	PS3401P	PS3541C53P
F3112BHB23A	F31VXBH023A	PS3401P	PS3541C53P
F3112BHC15266A	F31VXBH015A	PS3401P	PS3541C45P
F3112BHC19144A	F31VXBH019A	PS3401P	PS3541C49P
F3112BHC19A	F31VXBH019A	PS3401P	PS3541C49P
F3112BHC23A	F31VXBH023A	PS3401P	PS3541C53P
F3112BJA19A	F31VXBJ019A	PS3401P	PS3541D49P
F3112BJB23A	F31VXBJ023A	PS3401P	PS3541D53P
F3112BJC19266A	F31VXBJ019A	PS3401P	PS3541D49P
F3112BJC19A	F31VXBJ019A	PS3401P	PS3541D49P
F3112BJC23266A	F31VXBJ023A	PS3401P	PS3541D53P
F3112BJC23A	F31VXBJ023A	PS3401P	PS3541D53P
F3112BK819001FA	F31VXBK019A	PS3401P	PS3541E49P
F3112BKB23A	F31VXBK023A	PS3401P	PS3541E53P
F3112BKC19001A	F31VXBK019A	PS3401P	PS3541E49P
F3112BKC19166A	F31VXBK019A	PS3401P	PS3541E49P
F3112BKC19A	F31VXBK019A	PS3401P	PS3541E49P
F3112BKC23166A	F31VXBK023A	PS3401P	PS3541E53P
F3112BKC23A	F31VXBK023A	PS3401P	PS3541E53P
F3112EHC19A	F31VXE019A	PS3401P	PS3541C49P
F3112LGA23001A	F31VXLG023A	PS3401P	PS3541B53P
F3112LGC19A	F31VXLG019A	PS3401P	PS3541B49P
F3112LGC23A	F31VXLG023A	PS3401P	PS3541B53P
F3112LHA23A	F31VXLH023A	PS3401P	PS3541C53P
F3112LHC19A	F31VXLH019A	PS3401P	PS3541C49P
F3112PJC23A	F31VXPJ023A	PS3401P	PS3541D53P
F3114BGC19A	F31VXBG019A	PS3401P	PS3541B49P
F3122BGB23A	F31VXBG023A	PS3401P	PS3541B53P
F3122BGC23166A	F31VXBG023A	PS3401P	PS3541B53P
F3122BGC23A	F31VXBG023A	PS3401P	PS3541B53P
F3122BHC15A	F31VXBH015A	PS3401P	PS3541C45P
F3122BHC23A	F31VXBH023A	PS3401P	PS3541C53P
F3122BKA23A	F31VXBK023A	PS3401P	PS3541E53P
F3122LGC19111A	F31VXLG019A	PS3401P	PS3541B49P
F3132BGC23166A	F31VXBG023A	PS3401P	PS3541B53P
F3132BHB83A	F31VXBH083A	PS3401P	PS3541C53P
F3132BHC19A	F31VXBH019A	PS3401P	PS3541C49P
F3151BBA53A	F31VXBB053A	PS3401P	PS3541B53P
F3151BCA49A	F31VXBC049A	PS3401P	PS3541B49P
F3151BCA53A	F31VXBC053A	PS3401P	PS3541B53P
F3151BG719001CA	F31VXBG019A	PS3401P	PS3541B49P
F3151BG919166GA	F31VXBG019A	PS3401P	PS3541B49P
F3151BGA23A	F31VXBG023A	PS3401P	PS3541B53P
F3151BGB19A	F31VXBG019A	PS3401P	PS3541B49P
F3151BGC19001A	F31VXBG019A	PS3401P	PS3541B49P
F3151BGC19166A	F31VXBG019A	PS3401P	PS3541B49P
F3151BGC19444A	F31VXBG019A	PS3401P	PS3541B49P
F3151BGC19466A	F31VXBG019A	PS3401P	PS3541B49P
F3151BGC19A	F31VXBG019A	PS3401P	PS3541B49P
F3151BGC23466A	F31VXBG023A	PS3401P	PS3541B53P

**"F" Series Cross-Reference Guide**



"F" Series	Suggested iSYS Replacement	Body Kit	Coil Kit
F3151BGC23A	F31VXBG023A	PS3401P	PS3541B53P
F3151BGJ19A	F31VXBG019A	PS3401P	PS3541B49P
F3151BGM23A	F31VXBG023A	PS3401P	PS3541B53P
F3151BHA12A	F31VXBH012A	PS3401P	PS3541C42P
F3151BHA19A	F31VXBH019A	PS3401P	PS3541C49P
F3151BHA23A	F31VXBH023A	PS3401P	PS3541C53P
F3151BHB23A	F31VXBH023A	PS3401P	PS3541C53P
F3151BHB87A	F31VXBH087A	PS3401P	PS3541C57P
F3151BHC19A	F31VXBH019A	PS3401P	PS3541C49P
F3151BHC23A	F31VXBH023A	PS3401P	PS3541C53P
F3151BHC83144A	F31VXBH083A	PS3401P	PS3541C53P
F3151BHC83155A	F31VXBH083A	PS3401P	PS3541C53P
F3151BKC23A	F31VXBK023A	PS3401P	PS3541E53P
F3151LGA19A	F31VXLG019A	PS3401P	PS3541B49P
F3151LGM19A	F31VXLG019A	PS3401P	PS3541B49P
F3151PGC19001A	F31VXPG019A	PS3401P	PS3541B49P
F3151PGC23001A	F31VXPG023A	PS3401P	PS3541B53P
F3152BBB49001A	F31VXBB049A	PS3401P	PS3541B49P
F3152BBB49A	F31VXBB049A	PS3401P	PS3541B49P
F3152BBC45A	F31VXBB045A	PS3401P	PS3541B45P
F3152BBC49001A	F31VXBB049A	PS3401P	PS3541B49P
F3152BBC49166A	F31VXBB049A	PS3401P	PS3541B49P
F3152BBC49444A	F31VXBB049A	PS3401P	PS3541B49P
F3152BBC49466A	F31VXBB049A	PS3401P	PS3541B49P
F3152BBC49A	F31VXBB049A	PS3401P	PS3541B49P
F3152BBC53A	F31VXBB053A	PS3401P	PS3541B53P
F3152BCA49A	F31VXBC049A	PS3401P	PS3541B49P
F3152BCA53A	F31VXBC053A	PS3401P	PS3541B53P
F3152BCC53A	F31VXBC053A	PS3401P	PS3541B53P
F3152BG819000FA	F31VXBG019A	PS3401P	PS3541B49P
F3152BG819206FA	F31VXBG019A	PS3401P	PS3541B49P
F3152BGA19A	F31VXBG019A	PS3401P	PS3541B49P
F3152BGA23001A	F31VXBG023A	PS3401P	PS3541B53P
F3152BGA23166A	F31VXBG023A	PS3401P	PS3541B53P
F3152BGA23A	F31VXBG023A	PS3401P	PS3541B53P
F3152BGA83A	F31VXBG083A	PS3401P	PS3541B53P
F3152BGA87A	F31VXBG087A	PS3401P	PS3541B53P
F3152BGB15A	F31VXBG015A	PS3401P	PS3541B45P
F3152BGB19001A	F31VXBG019A	PS3401P	PS3541B49P
F3152BGB19A	F31VXBG019A	PS3401P	PS3541B49P
F3152BGB23001A	F31VXBG023A	PS3401P	PS3541B53P
F3152BGB23166A	F31VXBG023A	PS3401P	PS3541B53P
F3152BGB23466A	F31VXBG023A	PS3401P	PS3541B53P
F3152BGB23A	F31VXBG023A	PS3401P	PS3541B53P
F3152BGC12433A	F31VXBG012A	PS3401P	PS3541B42P
F3152BGC12A	F31VXBG012A	PS3401P	PS3541B42P
F3152BGC19001A	F31VXBG019A	PS3401P	PS3541B49P
F3152BGC19166A	F31VXBG019A	PS3401P	PS3541B49P
F3152BGC19205A	F31VXBG019A	PS3401P	PS3541B49P
F3152BGC19206A	F31VXBG019A	PS3401P	PS3541B49P
F3152BGC19240A	F31VXBG019A	PS3401P	PS3541B49P
F3152BGC19260A	F31VXBG019A	PS3401P	PS3541B49P
F3152BGC19266A	F31VXBG019A	PS3401P	PS3541B49P
F3152BGC19304A	F31VXBG019A	PS3401P	PS3541B49P
F3152BGC19433A	F31VXBG019A	PS3401P	PS3541B49P

**"F" Series Cross-Reference Guide**

"F" Series	Suggested  Replacement	Body Kit	Coil Kit
F3152BGC19466A	F31VXBG019A	PS3401P	PS3541B49P
F3152BGC19A	F31VXBG019A	PS3401P	PS3541B49P
F3152BGC23001A	F31VXBG023A	PS3401P	PS3541B53P
F3152BGC23144A	F31VXBG023A	PS3401P	PS3541B53P
F3152BGC23155A	F31VXBG023A	PS3401P	PS3541B53P
F3152BGC23166A	F31VXBG023A	PS3401P	PS3541B53P
F3152BGC23240A	F31VXBG023A	PS3401P	PS3541B53P
F3152BGC23255A	F31VXBG023A	PS3401P	PS3541B53P
F3152BGC23366A	F31VXBG023A	PS3401P	PS3541B53P
F3152BGC23466A	F31VXBG023A	PS3401P	PS3541B53P
F3152BGC23A	F31VXBG023A	PS3401P	PS3541B53P
F3152BGC83A	F31VXBG083A	PS3401P	PS3541B53P
F3152BGC87A	F31VXBG087A	PS3401P	PS3541B53P
F3152BGJ19166A	F31VXBG019A	PS3401P	PS3541B49P
F3152BGJ19266A	F31VXBG019A	PS3401P	PS3541B49P
F3152BGJ19466A	F31VXBG019A	PS3401P	PS3541B49P
F3152BGJ19A	F31VXBG019A	PS3401P	PS3541B49P
F3152BGJ23001A	F31VXBG023A	PS3401P	PS3541B53P
F3152BGJ23166A	F31VXBG023A	PS3401P	PS3541B53P
F3152BGJ23466A	F31VXBG023A	PS3401P	PS3541B53P
F3152BGJ23A	F31VXBG023A	PS3401P	PS3541B53P
F3152BGM19001A	F31VXBG019A	PS3401P	PS3541B49P
F3152BGM19133A	F31VXBG019A	PS3401P	PS3541B49P
F3152BGM19144A	F31VXBG019A	PS3401P	PS3541B49P
F3152BGM19155A	F31VXBG019A	PS3401P	PS3541B49P
F3152BGM19166A	F31VXBG019A	PS3401P	PS3541B49P
F3152BGM19466A	F31VXBG019A	PS3401P	PS3541B49P
F3152BGM19A	F31VXBG019A	PS3401P	PS3541B49P
F3152BGM23166A	F31VXBG023A	PS3401P	PS3541B53P
F3152BGM23466A	F31VXBG023A	PS3401P	PS3541B53P
F3152BGM23A	F31VXBG023A	PS3401P	PS3541B53P
F3152BGT19466A	F31VXBG019A	PS3401P	PS3541B49P
F3152BGT19A	F31VXBG019A	PS3401P	PS3541B49P
F3152BHA19A	F31VXBH019A	PS3401P	PS3541C49P
F3152BHA23001A	F31VXBH023A	PS3401P	PS3541C53P
F3152BHA23A	F31VXBH023A	PS3401P	PS3541C53P
F3152BHB19A	F31VXBH019A	PS3401P	PS3541C49P
F3152BHB23A	F31VXBH023A	PS3401P	PS3541C53P
F3152BHC19001A	F31VXBH019A	PS3401P	PS3541C49P
F3152BHC19144A	F31VXBH019A	PS3401P	PS3541C49P
F3152BHC19206A	F31VXBH019A	PS3401P	PS3541C49P
F3152BHC19260A	F31VXBH019A	PS3401P	PS3541C49P
F3152BHC19306A	F31VXBH019A	PS3401P	PS3541C49P
F3152BHC19433A	F31VXBH019A	PS3401P	PS3541C49P
F3152BHC19466A	F31VXBH019A	PS3401P	PS3541C49P
F3152BHC19A	F31VXBH019A	PS3401P	PS3541C49P
F3152BHC23001A	F31VXBH023A	PS3401P	PS3541C53P
F3152BHC23166A	F31VXBH023A	PS3401P	PS3541C53P
F3152BHC23466A	F31VXBH023A	PS3401P	PS3541C53P
F3152BHC23A	F31VXBH023A	PS3401P	PS3541C53P
F3152BHC83A	F31VXBH083A	PS3401P	PS3541C53P
F3152BHJ19A	F31VXBH019A	PS3401P	PS3541C49P
F3152BHM19001A	F31VXBH019A	PS3401P	PS3541C49P
F3152BHM19A	F31VXBH019A	PS3401P	PS3541C49P
F3152BHM23466A	F31VXBH023A	PS3401P	PS3541C53P

## "F" Series Cross-Reference Guide

"F" Series	Suggested iSYS Replacement	Body Kit	Coil Kit
F3152BHM23A	F31VXBH023A	PS3401P	PS3541C53P
F3152BJA23166A	F31VXBJ023A	PS3401P	PS3541D53P
F3152BJA83A	F31VXBJ083A	PS3401P	PS3541D53P
F3152BJB23001A	F31VXBJ023A	PS3401P	PS3541D53P
F3152BJB23A	F31VXBJ023A	PS3401P	PS3541D53P
F3152BJC19166A	F31VXBJ019A	PS3401P	PS3541D49P
F3152BJC19A	F31VXBJ019A	PS3401P	PS3541D49P
F3152BJC23166A	F31VXBJ023A	PS3401P	PS3541D53P
F3152BJC23A	F31VXBJ023A	PS3401P	PS3541D53P
F3152BJJ23001A	F31VXBJ023A	PS3401P	PS3541D53P
F3152BJM19001A	F31VXBJ019A	PS3401P	PS3541D49P
F3152BJM19A	F31VXBJ019A	PS3401P	PS3541D49P
F3152BJM23001A	F31VXBJ023A	PS3401P	PS3541D53P
F3152BJM23A	F31VXBJ023A	PS3401P	PS3541D53P
F3152BKA19A	F31VXBK019A	PS3401P	PS3541E49P
F3152BKA23A	F31VXBK023A	PS3401P	PS3541E53P
F3152BKA83A	F31VXBK083A	PS3401P	PS3541E53P
F3152BKB23A	F31VXBK023A	PS3401P	PS3541E53P
F3152BKC19001A	F31VXBK019A	PS3401P	PS3541E49P
F3152BKC19206A	F31VXBK019A	PS3401P	PS3541E49P
F3152BKC19266A	F31VXBK019A	PS3401P	PS3541E49P
F3152BKC19A	F31VXBK019A	PS3401P	PS3541E49P
F3152BKC23001A	F31VXBK023A	PS3401P	PS3541E53P
F3152BKC23166A	F31VXBK023A	PS3401P	PS3541E53P
F3152BKC23A	F31VXBK023A	PS3401P	PS3541E53P
F3152BKM19A	F31VXBK019A	PS3401P	PS3541E49P
F3152BKM23166A	F31VXBK023A	PS3401P	PS3541E53P
F3152BKM23466A	F31VXBK023A	PS3401P	PS3541E53P
F3152BKM23A	F31VXBK023A	PS3401P	PS3541E53P
F3152LGC19A	F31VXLG019A	PS3401P	PS3541B49P
F3152LHA23A	F31VXLH023A	PS3401P	PS3541C53P
F3152PGC19001A	F31VXPG019A	PS3401P	PS3541B49P
F3152PGC19166A	F31VXPG019A	PS3401P	PS3541B49P
F3152PGC19A	F31VXPG019A	PS3401P	PS3541B49P
F3161BGA15A	F31VXBG015A	PS3401P	PS3541B45P
F3161BGA23A	F31VXBG023A	PS3401P	PS3541B53P
F3161BGC19166A	F31VXBG019A	PS3401P	PS3541B49P
F3161BGC19A	F31VXBG019A	PS3401P	PS3541B49P
F3161BGC23001A	F31VXBG023A	PS3401P	PS3541B53P
F3161BGC23166A	F31VXBG023A	PS3401P	PS3541B53P
F3161BGC232MMA	F31VXBG023A	PS3401P	PS3541B53P
F3161BGC23A	F31VXBG023A	PS3401P	PS3541B53P
F3161BGJ19A	F31VXBG019A	PS3401P	PS3541B49P
F3161BGJ23A	F31VXBG023A	PS3401P	PS3541B53P
F3161BGM19A	F31VXBG019A	PS3401P	PS3541B49P
F3161BHB19A	F31VXBH019A	PS3401P	PS3541C49P
F3161LGA19A	F31VXLG019A	PS3401P	PS3541B49P
F3162BBA49A	F31VXBB049A	PS3401P	PS3541B49P
F3162BBB49A	F31VXBB049A	PS3401P	PS3541B49P
F3162BBB53166A	F31VXBB053A	PS3401P	PS3541B53P
F3162BBC49166A	F31VXBB049A	PS3401P	PS3541B49P
F3162BBC49A	F31VXBB049A	PS3401P	PS3541B49P
F3162BBC53A	F31VXBB053A	PS3401P	PS3541B53P
F3162BCA42A	F31VXBC042A	PS3401P	PS3541B42P
F3162BCA53A	F31VXBC053A	PS3401P	PS3541B53P



**"F" Series Cross-Reference Guide**

"F" Series	Suggested iSYS Replacement	Body Kit	Coil Kit
F3162BDC53A	F31VXBJ053A	PS3401P	PS3541B53P
F3162BG723000GA	F31VXBG023A	PS3401P	PS3541B53P
F3162BG819000FA	F31VXBG019A	PS3401P	PS3541B49P
F3162BGA19001A	F31VXBG019A	PS3401P	PS3541B49P
F3162BGA19A	F31VXBG019A	PS3401P	PS3541B49P
F3162BGA23A	F31VXBG023A	PS3401P	PS3541B53P
F3162BGC19001A	F31VXBG019A	PS3401P	PS3541B49P
F3162BGC19144A	F31VXBG019A	PS3401P	PS3541B49P
F3162BGC19166A	F31VXBG019A	PS3401P	PS3541B49P
F3162BGC19466A	F31VXBG019A	PS3401P	PS3541B49P
F3162BGC194MMA	F31VXBG019A	PS3401P	PS3541B49P
F3162BGC19A	F31VXBG019A	PS3401P	PS3541B49P
F3162BGC23001A	F31VXBG023A	PS3401P	PS3541B53P
F3162BGC23144A	F31VXBG023A	PS3401P	PS3541B53P
F3162BGC23166A	F31VXBG023A	PS3401P	PS3541B53P
F3162BGC23206A	F31VXBG023A	PS3401P	PS3541B53P
F3162BGC23211A	F31VXBG023A	PS3401P	PS3541B53P
F3162BGC23266A	F31VXBG023A	PS3401P	PS3541B53P
F3162BGC23466A	F31VXBG023A	PS3401P	PS3541B53P
F3162BGC23A	F31VXBG023A	PS3401P	PS3541B53P
F3162BGJ19001A	F31VXBG019A	PS3401P	PS3541B49P
F3162BGJ19A	F31VXBG019A	PS3401P	PS3541B49P
F3162BGM19001A	F31VXBG019A	PS3401P	PS3541B49P
F3162BGM19166A	F31VXBG019A	PS3401P	PS3541B49P
F3162BGM19466A	F31VXBG019A	PS3401P	PS3541B49P
F3162BGM19A	F31VXBG019A	PS3401P	PS3541B49P
F3162BHA19A	F31VXBH019A	PS3401P	PS3541C49P
F3162BHC19166A	F31VXBH019A	PS3401P	PS3541C49P
F3162BHC19A	F31VXBH019A	PS3401P	PS3541C49P
F3162BHC23001A	F31VXBH023A	PS3401P	PS3541C53P
F3162BHC23466A	F31VXBH023A	PS3401P	PS3541C53P
F3162BHC23A	F31VXBH023A	PS3401P	PS3541C53P
F3162BHM19166A	F31VXBH019A	PS3401P	PS3541C49P
F3162BJB19A	F31VXBJ019A	PS3401P	PS3541D49P
F3162BJC19001A	F31VXBJ019A	PS3401P	PS3541D49P
F3162BJC19166A	F31VXBJ019A	PS3401P	PS3541D49P
F3162BJC19A	F31VXBJ019A	PS3401P	PS3541D49P
F3162BJC23A	F31VXBJ023A	PS3401P	PS3541D53P
F3162BJM19001A	F31VXBJ019A	PS3401P	PS3541D49P
F3162BKB23A	F31VXBK023A	PS3401P	PS3541E53P
F3162BKC23144A	F31VXBK023A	PS3401P	PS3541E53P
F3162BKC23A	F31VXBK023A	PS3401P	PS3541E53P
F3162LGA19A	F31VXLG019A	PS3401P	PS3541B49P
F3162LGC23A	F31VXLG023A	PS3401P	PS3541B53P
F3162LGJ23A	F31VXLG023A	PS3401P	PS3541B53P
F3162LGM23001A	F31VXLG023A	PS3401P	PS3541B53P
F3162LGM23A	F31VXLG023A	PS3401P	PS3541B53P
F3162PGC19360A	F31VXPG019A	PS3401P	PS3541B49P
F3164BGA19A	F31VXBG019A	PS3401P	PS3541B49P
F3164BGC19A	F31VXBG019A	PS3401P	PS3541B49P
F3182BGC19206A	F31VXBG019A	PS3401P	PS3541B49P
F3182BGC19304A	F31VXBG019A	PS3401P	PS3541B49P
F3182BGC19A	F31VXBG019A	PS3401P	PS3541B49P
F3182BGC23360A	F31VXBG023A	PS3401P	PS3541B53P
F3182PGC19206A	F31VXPG019A	PS3401P	PS3541B49P

**"F" Series Cross-Reference Guide**



"F" Series	Suggested iSYS Replacement	Body Kit	Coil Kit
F3182PGC19340A	F31VXPG019A	PS3401P	PS3541B49P
F3182PGC19360A	F31VXPG019A	PS3401P	PS3541B49P
F3182PGC19A	F31VXPG019A	PS3401P	PS3541B49P
F3182PGC23001A	F31VXPG023A	PS3401P	PS3541B53P
F31VXBB045A	F31VXBB045A	PS3401P	PS3541B45P
F31VXBB049A	F31VXBB049A	PS3401P	PS3531B49P
F31VXBB053A	F31VXBB053A	PS3401P	PS3541B53P
F31VXBC049A	F31VXBC049A	PS3401P	PS3541B49P
F31VXBC053A	F31VXBC053A	PS3401P	PS3541B53P
F31VXBC057A	F31VXBC057A	PS3401P	PS3541B57P
F31VXBG012A	F31VXBG012A	PS3401P	PS3541B42P
F31VXBG015A	F31VXBG015A	PS3401P	PS3541B45P
F31VXBG019A	F31VXBG019A	PS3401P	PS3541B49P
F31VXBG023001A	F31VXBG023A	PS3401P	PS3541B53P
F31VXBG023003A	F31VXBG023A	PS3401P	PS3541B53P
F31VXBG023A	F31VXBG023A	PS3401P	PS3541B53P
F31VXBG083A	F31VXBG083A	PS3401P	PS3541B53P
F31VXBG087A	F31VXBG087A	PS3401P	PS3541B53P
F31VXBH012A	F31VXBH012A	PS3401P	PS3541C12P
F31VXBH015A	F31VXBH015A	PS3401P	PS3541C45P
F31VXBH019A	F31VXBH019A	PS3401P	PS3541C49P
F31VXBH023A	F31VXBH023A	PS3401P	PS3541C53P
F31VXBH083A	F31VXBH083A	PS3401P	PS3541C53P
F31VXBH087A	F31VXBH087A	PS3401P	PS3541C57P
F31VXBJ019A	F31VXBJ019A	PS3401P	PS3541D49P
F31VXBJ023A	F31VXBJ023A	PS3401P	PS3541D53P
F31VXBK019A	F31VXBK019A	PS3401P	PS3541E49P
F31VXBK023A	F31VXBK023A	PS3401P	PS3541E53P
F31VXLG019A	F31VXLG019A	PS3401P	PS3541B49P
F31VXLH019A	F31VXLH019A	PS3401P	PS3541C49P
F31VXLH023A	F31VXLH023A	PS3401P	PS3541C53P
F31VXLJ019A	F31VXLJ019A	PS3401P	PS3541D49P
F31VXPG015A	F31VXPG015A	PS3401P	PS3541B45P
F31VXPG019A	F31VXPG019A	PS3401P	PS3541B49P
F31VXPG023A	F31VXPG023A	PS3401P	PS3541B53P
F31VXPH019A	F31VXPH019A	PS3401P	PS3541C49P
F31VXPH023A	F31VXPH023A	PS3401P	PS3541C53P
F31VXPJ019A	F31VXPJ019A	PS3401P	PS3541D49P
F3211BBA49A	F32VXBB049A	PS3401P	PS3541B49P
F3211BBA53001A	F32VXBB053A	PS3401P	PS3541B53P
F3211BBA53A	F32VXBB053A	PS3401P	PS3541B53P
F3211BBC49A	F32VXBB049A	PS3401P	PS3541B49P
F3211BG819000FA	F32VXBG019A	PS3401P	PS3541B49P
F3211BGA19A	F32VXBG019A	PS3401P	PS3541B49P
F3211BGA23A	F32VXBG023A	PS3401P	PS3541B53P
F3211BGC23A	F32VXBG023A	PS3401P	PS3541B53P
F3211BHA23001A	F32VXBH023A	PS3401P	PS3541C53P
F3211BHB23A	F32VXBH023A	PS3401P	PS3541C53P
F3211BHC19A	F32VXBH019A	PS3401P	PS3541C49P
F3211BKC23A	F32VXBK023A	PS3401P	PS3541E53P
F3212BBA49A	F32VXBB049A	PS3401P	PS3541B49P
F3212BBA53A	F32VXBB053A	PS3401P	PS3541B53P
F3212BBC49A	F32VXBB049A	PS3401P	PS3541B49P
F3212BG819000GA	F32VXBG019A	PS3401P	PS3541B49P
F3212BG819001FA	F32VXBG019A	PS3401P	PS3541B49P

## "F" Series Cross-Reference Guide


"F" Series	Suggested isys Replacement	Body Kit	Coil Kit
F3212BG819166CA	F32VXBG019A	PS3401P	PS3541B49P
F3212BG919000FA	F32VXBG019A	PS3401P	PS3541B49P
F3212BG987001CA	F32VXBG087A	PS3401P	PS3541B53P
F3212BGA19A	F32VXBG019A	PS3401P	PS3541B49P
F3212BGA23001A	F32VXBG023A	PS3401P	PS3541B53P
F3212BGA23A	F32VXBG023A	PS3401P	PS3541B53P
F3212BGB19A	F32VXBG019A	PS3401P	PS3541B49P
F3212BGB23A	F32VXBG023A	PS3401P	PS3541B53P
F3212BGB83A	F32VXBG083A	PS3401P	PS3541B53P
F3212BGC12A	F32VXBG012A	PS3401P	PS3541B42P
F3212BGC15A	F32VXBG015A	PS3401P	PS3541B45P
F3212BGC19001A	F32VXBG019A	PS3401P	PS3541B49P
F3212BGC191KKA	F32VXBG019A	PS3401P	PS3541B49P
F3212BGC19233A	F32VXBG019A	PS3401P	PS3541B49P
F3212BGC19260A	F32VXBG019A	PS3401P	PS3541B49P
F3212BGC19A	F32VXBG019A	PS3401P	PS3541B49P
F3212BGC23001A	F32VXBG023A	PS3401P	PS3541B53P
F3212BGC23166A	F32VXBG023A	PS3401P	PS3541B53P
F3212BGC23260A	F32VXBG023A	PS3401P	PS3541B53P
F3212BGC23266A	F32VXBG023A	PS3401P	PS3541B53P
F3212BGC23A	F32VXBG023A	PS3401P	PS3541B53P
F3212BGT19A	F32VXBG019A	PS3401P	PS3541B49P
F3212BHA23A	F32VXBH023A	PS3401P	PS3541C53P
F3212BHC19A	F32VXBH019A	PS3401P	PS3541C49P
F3212BHC23A	F32VXBH023A	PS3401P	PS3541C53P
F3212BJC19A	F32VXBJ019A	PS3401P	PS3541D49P
F3212BJC23A	F32VXBJ023A	PS3401P	PS3541D53P
F3212BKB23A	F32VXBK023A	PS3401P	PS3541E53P
F3212BKC19A	F32VXBK019A	PS3401P	PS3541E49P
F3212BKC23A	F32VXBK023A	PS3401P	PS3541E53P
F3212EBA53A	F32VXEBO53A	PS3401P	PS3541B53P
F3212EGC23A	F32VXEG023A	PS3401P	PS3541B53P
F3212PHA23A	F32VXPH023A	PS3401P	PS3541C53P
F3214BGC23A	F32VXBG023A	PS3401P	PS3541B53P
F3222BGC19A	F32VXBG019A	PS3401P	PS3541B49P
F3222BGC23A	F32VXBG023A	PS3401P	PS3541B53P
F3222BKC23001A	F32VXBK023A	PS3401P	PS3541E53P
F3222BKC23A	F32VXBK023A	PS3401P	PS3541E53P
F3232BGB83A	F32VXBG083A	PS3401P	PS3541B53P
F3251BBA49A	F32VXBB049A	PS3401P	PS3541B49P
F3251BCC49A	F32VXBC049A	PS3401P	PS3541B49P
F3251BCC53A	F32VXBC053A	PS3401P	PS3541B53P
F3251BGA19A	F32VXBG019A	PS3401P	PS3541B49P
F3251BGA23A	F32VXBG023A	PS3401P	PS3541C53P
F3251BGB23001A	F32VXBG023A	PS3401P	PS3541B53P
F3251BGC15A	F32VXBG015A	PS3401P	PS3541B45P
F3251BGC19001A	F32VXBG019A	PS3401P	PS3541B49P
F3251BGC19466A	F32VXBG019A	PS3401P	PS3541B49P
F3251BGC19A	F32VXBG019A	PS3401P	PS3541B49P
F3251BGC23001A	F32VXBG023A	PS3401P	PS3541B53P
F3251BGC23166A	F32VXBG023A	PS3401P	PS3541B53P
F3251BGC23266A	F32VXBG023A	PS3401P	PS3541B53P
F3251BGC23A	F32VXBG023A	PS3401P	PS3541B53P
F3251BHC19A	F32VXBH019A	PS3401P	PS3541C49P
F3251BHC23A	F32VXBH023A	PS3401P	PS3541C53P



**"F" Series Cross-Reference Guide**

"F" Series	Suggested iSYS Replacement	Body Kit	Coil Kit
F3251BKC23A	F32VXBK023A	PS3401P	PS3541E53P
F3251PGC23001A	F32VXPG023A	PS3401P	PS3541B53P
F3252BBA45A	F32VXBB045A	PS3401P	PS3541B45P
F3252BBA49A	F32VXBB049A	PS3401P	PS3541B49P
F3252BBA53A	F32VXBB053A	PS3401P	PS3541B53P
F3252BBB49001A	F32VXBB049A	PS3401P	PS3541B49P
F3252BBB49A	F32VXBB049A	PS3401P	PS3541B49P
F3252BBB53A	F32VXBB053A	PS3401P	PS3541B53P
F3252BBC49001A	F32VXBB049A	PS3401P	PS3541B49P
F3252BBC49166A	F32VXBB049A	PS3401P	PS3541B49P
F3252BBC49466A	F32VXBB049A	PS3401P	PS3541B49P
F3252BBC49A	F32VXBB049A	PS3401P	PS3541B49P
F3252BBC53001A	F32VXBB053A	PS3401P	PS3541B53P
F3252BBC53A	F32VXBB053A	PS3401P	PS3541B53P
F3252BBC57A	F32VXBB057A	PS3401P	PS3541B57P
F3252BEA53A	F32VXBE053A	PS3401P	PS3541B53P
F3252BEC49A	F32VXBE049A	PS3401P	PS3541B49P
F3252BG819000FA	F32VXBG019A	PS3401P	PS3541B49P
F3252BG819000GA	F32VXBG019A	PS3401P	PS3541B49P
F3252BG987001CA	F32VXBG087A	PS3401P	PS3541B53P
F3252BGA19001A	F32VXBG019A	PS3401P	PS3541B49P
F3252BGA19266A	F32VXBG019A	PS3401P	PS3541B49P
F3252BGA19A	F32VXBG019A	PS3401P	PS3541B49P
F3252BGA23A	F32VXBG023A	PS3401P	PS3541B53P
F3252BGB19001A	F32VXBG019A	PS3401P	PS3541B49P
F3252BGB19A	F32VXBG019A	PS3401P	PS3541B49P
F3252BGB23001A	F32VXBG023A	PS3401P	PS3541B53P
F3252BGB23A	F32VXBG023A	PS3401P	PS3541B53P
F3252BGB83A	F32VXBG083A	PS3401P	PS3541B53P
F3252BGC19001A	F32VXBG019A	PS3401P	PS3541B49P
F3252BGC19166A	F32VXBG019A	PS3401P	PS3541B49P
F3252BGC19260A	F32VXBG019A	PS3401P	PS3541B49P
F3252BGC19266A	F32VXBG019A	PS3401P	PS3541B49P
F3252BGC19A	F32VXBG019A	PS3401P	PS3541B49P
F3252BGC23001A	F32VXBG023A	PS3401P	PS3541B53P
F3252BGC23133A	F32VXBG023A	PS3401P	PS3541B53P
F3252BGC23144A	F32VXBG023A	PS3401P	PS3541B53P
F3252BGC23166A	F32VXBG023A	PS3401P	PS3541B53P
F3252BGC23266A	F32VXBG023A	PS3401P	PS3541B53P
F3252BGC23A	F32VXBG023A	PS3401P	PS3541B53P
F3252BGC83001A	F32VXBG083A	PS3401P	PS3541B53P
F3252BGC83166A	F32VXBG083A	PS3401P	PS3541B53P
F3252BGC83466A	F32VXBG083A	PS3401P	PS3541B53P
F3252BGC83A	F32VXBG083A	PS3401P	PS3541B53P
F3252BGC87A	F32VXBG087A	PS3401P	PS3541B53P
F3252BGM19001A	F32VXBG019A	PS3401P	PS3541B49P
F3252BGM19260A	F32VXBG019A	PS3401P	PS3541B49P
F3252BGM19466A	F32VXBG019A	PS3401P	PS3541B49P
F3252BGM19A	F32VXBG019A	PS3401P	PS3541B49P
F3252BGM23001A	F32VXBG023A	PS3401P	PS3541B53P
F3252BGM23466A	F32VXBG023A	PS3401P	PS3541B53P
F3252BHA12A	F32VXBH012A	PS3401P	PS3541C42P
F3252BHA19A	F32VXBH019A	PS3401P	PS3541C49P
F3252BHA23001A	F32VXBH023A	PS3401P	PS3541C53P
F3252BHA23A	F32VXBH023A	PS3401P	PS3541C53P

**"F" Series Cross-Reference Guide**

"F" Series	Suggested  Replacement	Body Kit	Coil Kit
F3252BHA83A	F32VXBH083A	PS3401P	PS3541C53P
F3252BHB19A	F32VXBH019A	PS3401P	PS3541C49P
F3252BHB23A	F32VXBH023A	PS3401P	PS3541C53P
F3252BHC19001A	F32VXBH019A	PS3401P	PS3541C49P
F3252BHC19A	F32VXBH019A	PS3401P	PS3541C49P
F3252BHC23001A	F32VXBH023A	PS3401P	PS3541C53P
F3252BHC23166A	F32VXBH023A	PS3401P	PS3541C53P
F3252BHC23A	F32VXBH023A	PS3401P	PS3541C53P
F3252BJA19166A	F32VXBJ019A	PS3401P	PS3541D49P
F3252BJB19001A	F32VXBJ019A	PS3401P	PS3541D49P
F3252BJB19166A	F32VXBJ019A	PS3401P	PS3541D49P
F3252BJB19466A	F32VXBJ019A	PS3401P	PS3541D49P
F3252BJB19A	F32VXBJ019A	PS3401P	PS3541D49P
F3252BJB83A	F32VXBJ083A	PS3401P	PS3541D53P
F3252BJC23260A	F32VXBJ023A	PS3401P	PS3541D53P
F3252BJC23A	F32VXBJ023A	PS3401P	PS3541D53P
F3252BJC83166A	F32VXBJ083A	PS3401P	PS3541D53P
F3252BJC83466A	F32VXBJ083A	PS3401P	PS3541D53P
F3252BJM19001A	F32VXBJ019A	PS3401P	PS3541D49P
F3252BJM19A	F32VXBJ019A	PS3401P	PS3541D49P
F3252BJM23001A	F32VXBJ023A	PS3401P	PS3541D53P
F3252BJM23A	F32VXBJ023A	PS3401P	PS3541D53P
F3252BKB23A	F32VXBK023A	PS3401P	PS3541E53P
F3252BKC19A	F32VXBK019A	PS3401P	PS3541E49P
F3252BKC23260A	F32VXBK023A	PS3401P	PS3541E53P
F3252BKC23A	F32VXBK023A	PS3401P	PS3541E53P
F3252BKM19A	F32VXBK019A	PS3401P	PS3541E49P
F3252EHA87266A	F32VXEHO87A	PS3401P	PS3541C57P
F3252LHA23A	F32VXLH023A	PS3401P	PS3541C53P
F3252PGC19001A	F32VXPG019A	PS3401P	PS3541B49P
F3252PGC19A	F32VXPG019A	PS3401P	PS3541B49P
F3252PGM19155A	F32VXPG019A	PS3401P	PS3541B49P
F3252PGM19A	F32VXPG019A	PS3401P	PS3541B49P
F3254PGC19A	F32VXPG019A	PS3401P	PS3541B49P
F3261BBA57A	F32VXBB057A	PS3401P	PS3541B57P
F3261BGA15A	F32VXBG015A	PS3401P	PS3541B45P
F3261BGC19A	F32VXBG019A	PS3401P	PS3541B49P
F3261BGC23001A	F32VXBG023A	PS3401P	PS3541B53P
F3261BGC23206A	F32VXBG023A	PS3401P	PS3541B53P
F3261BGC23A	F32VXBG023A	PS3401P	PS3541B53P
F3261BGM23466A	F32VXBG023A	PS3401P	PS3541B53P
F3262BBC53A	F32VXBB053A	PS3401P	PS3541B53P
F3262BGA19A	F32VXBG019A	PS3401P	PS3541B49P
F3262BGA23A	F32VXBG023A	PS3401P	PS3541B53P
F3262BGB23001A	F32VXBG023A	PS3401P	PS3541B53P
F3262BGB23466A	F32VXBG023A	PS3401P	PS3541B53P
F3262BGB23A	F32VXBG023A	PS3401P	PS3541B53P
F3262BGC19001A	F32VXBG019A	PS3401P	PS3541B49P
F3262BGC19166A	F32VXBG019A	PS3401P	PS3541B49P
F3262BGC19205A	F32VXBG019A	PS3401P	PS3541B49P
F3262BGC19266A	F32VXBG019A	PS3401P	PS3541B49P
F3262BGC19A	F32VXBG019A	PS3401P	PS3541B49P
F3262BGC23001A	F32VXBG023A	PS3401P	PS3541B53P
F3262BGC23166A	F32VXBG023A	PS3401P	PS3541B53P
F3262BGC23206A	F32VXBG023A	PS3401P	PS3541B53P

**"F" Series Cross-Reference Guide**

"F" Series	Suggested iSYS Replacement	Body Kit	Coil Kit
F3262BGC23466A	F32VXBG023A	PS3401P	PS3541B53P
F3262BGC23A	F32VXBG023A	PS3401P	PS3541B53P
F3262BGM19001A	F32VXBG019A	PS3401P	PS3541B49P
F3262BGM19166A	F32VXBG019A	PS3401P	PS3541B49P
F3262BGM19A	F32VXBG019A	PS3401P	PS3541B49P
F3262BGT19A	F32VXBG019A	PS3401P	PS3541B49P
F3262BHC19001A	F32VXBG019A	PS3401P	PS3541C49P
F3262BHC19A	F32VXBG019A	PS3401P	PS3541C49P
F3262BHC23001A	F32VXBG023A	PS3401P	PS3541C53P
F3262BHC23166A	F32VXBG023A	PS3401P	PS3541C53P
F3262BHC23466A	F32VXBG023A	PS3401P	PS3541C53P
F3262BHC23A	F32VXBG023A	PS3401P	PS3541C53P
F3262BHM19166A	F32VXBG019A	PS3401P	PS3541C49P
F3262BJA19A	F32VXBJ019A	PS3401P	PS3541D49P
F3262BJA23A	F32VXBJ023A	PS3401P	PS3541D53P
F3262BJB19A	F32VXBJ019A	PS3401P	PS3541D49P
F3262BJB23A	F32VXBJ023A	PS3401P	PS3541D53P
F3262BJC19166A	F32VXBJ019A	PS3401P	PS3541D49P
F3262BJC19A	F32VXBJ019A	PS3401P	PS3541D49P
F3262BJC23001A	F32VXBJ023A	PS3401P	PS3541D53P
F3262BKA19A	F32VXBK019A	PS3401P	PS3541E49P
F3262LGC23A	F32VXLG023A	PS3401P	PS3541B53P
F3262PGC19A	F32VXPG019A	PS3401P	PS3541B49P
F3264BGC19A	F32VXBG019A	PS3401P	PS3541B49P
F3264BGM19A	F32VXBG019A	PS3401P	PS3541B49P
F3264PGC19A	F32VXPG019A	PS3401P	PS3541B49P
F3264PGM19A	F32VXPG019A	PS3401P	PS3541B49P
F3282BGM19A	F32VXBG019A	PS3401P	PS3541B49P
F32VXBB045A	F32VXBB045A	PS3401P	PS3541B45P
F32VXBB049A	F32VXBB049A	PS3401P	PS3541B49P
F32VXBB053A	F32VXBB053A	PS3401P	PS3541B53P
F32VXBE049A	F32VXBE049A	PS3401P	PS3541B49P
F32VXBG012A	F32VXBG012A	PS3401P	PS3541B42P
F32VXBG015A	F32VXBG015A	PS3401P	PS3541B45P
F32VXBG019A	F32VXBG019A	PS3401P	PS3541B49P
F32VXBG023003A	F32VXBG023A	PS3401P	PS3541B53P
F32VXBG023A	F32VXBG023A	PS3401P	PS3541B53P
F32VXBG083A	F32VXBG083A	PS3401P	PS3541B53P
F32VXBG087A	F32VXBG087A	PS3401P	PS3541B53P
F32VXBH012A	F32VXBH012A	PS3401P	PS3541C12P
F32VXBH015A	F32VXBH015A	PS3401P	PS3541C45P
F32VXBH019A	F32VXBH019A	PS3401P	PS3541C49P
F32VXBH023001A	F32VXBH023A	PS3401P	PS3541C53P
F32VXBH023A	F32VXBH023A	PS3401P	PS3541C53P
F32VXBJ019A	F32VXBJ019A	PS3401P	PS3541D49P
F32VXBJ023A	F32VXBJ023A	PS3401P	PS3541D53P
F32VXBJ083A	F32VXBJ083A	PS3401P	PS3541D53P
F32VXBK019A	F32VXBK019A	PS3401P	PS3541E49P
F32VXBK023A	F32VXBK023A	PS3401P	PS3541E53P
F32VXLG019A	F32VXLG019A	PS3401P	PS3541B49P
F32VXPG019A	F32VXPG019A	PS3401P	PS3541B49P
F32VXPG023A	F32VXPG023A	PS3401P	PS3541B53P
F32VXPG083A	F32VXPG083A	PS3401P	PS3541B53P
F32VXPH019A	F32VXPH019A	PS3401P	PS3541C49P
F32VXPH023A	F32VXPH023A	PS3401P	PS3541C53P

**"F" Series Cross-Reference Guide**

"F" Series	Suggested isys Replacement	Body Kit	Coil Kit
F3311000XXA	F33VX000XXA	PS3401P	none
F3311B00XXA	F33VXB00XXA	PS3401P	none
F3312000XXA	F33VX000XXA	PS3401P	none
F3314000XXA	F33VX000XXA	PS3401P	none
F3322000XXA	F33VX000XXA	PS3401P	none
F3322E00XXA	F33VXE00XXA	PS3401P	none
F3351000XXA	F33VX000XXA	PS3401P	none
F3352000XXA	F33VX000XXA	PS3401P	none
F3361000XX001A	F33VX000XXA	PS3401P	none
F3361000XX001AX	F33VX000XXA	PS3401P	none
F3362000XXA	F33VX000XXA	PS3401P	none
F3364000XXA	F33VX000XXA	PS3401P	none
F33VX000XXA	F33VX000XXA	PS3401P	none
F33VXE00XXA	F33VXE00XXA	PS3401P	none
F3411000XXA	F34VX000XXA	PS3401P	none
F3412000XX001A	F34VX000XXA	PS3401P	none
F3412000XX466A	F34VX000XXA	PS3401P	none
F3412000XXA	F34VX000XXA	PS3401P	none
F3451000XXA	F34VX000XXA	PS3401P	none
F3452000XX001A	F34VX000XXA	PS3401P	none
F3452000XX166A	F34VX000XXA	PS3401P	none
F3452000XX206A	F34VX000XXA	PS3401P	none
F3452000XXA	F34VX000XXA	PS3401P	none
F3461000XXA	F34VX000XXA	PS3401P	none
F3462000XXA	F34VX000XXA	PS3401P	none
F3464000XXA	F34VX000XXA	PS3401P	none
F34VX000XXA	F34VX000XXA	PS3401P	none
F3511BBB53A	F35VXBB053A	PS3402P	PS3541B53P
F3511BBB57A	F35VXBB057A	PS3402P	PS3541B57P
F3511BGC12A	F35VXBG012A	PS3402P	PS3541B42P
F3511BGC19001A	F35VXBG019A	PS3402P	PS3541B49P
F3511BGC19A	F35VXBG019A	PS3402P	PS3541B49P
F3511BGC23001A	F35VXBG023A	PS3402P	PS3541B53P
F3511BGC23A	F35VXBG023A	PS3402P	PS3541B53P
F3512BBA49A	F35VXBB049A	PS3402P	PS3541B49P
F3512BCC53A	F35VXBC053A	PS3402P	PS3541B53P
F3512BG919GA	F35VXBG019A	PS3402P	PS3541B49P
F3512BG987001CA	F35VXBG087A	PS3402P	PS3541B53P
F3512BGA19A	F35VXBG019A	PS3402P	PS3541B49P
F3512BGA23A	F35VXBG023A	PS3402P	PS3541B53P
F3512BGB23001A	F35VXBG023A	PS3402P	PS3541B53P
F3512BGC15A	F35VXBG015A	PS3402P	PS3541B45P
F3512BGC19466A	F35VXBG019A	PS3402P	PS3541B49P
F3512BGC19A	F35VXBG019A	PS3402P	PS3541B49P
F3512BGC23001A	F35VXBG023A	PS3402P	PS3541B53P
F3512BGC23266A	F35VXBG023A	PS3402P	PS3541B53P
F3512BGC23A	F35VXBG023A	PS3402P	PS3541B53P
F3512BHA19A	F35VXBH019A	PS2302P	PS3541C49P
F3512BHA23A	F35VXBH023A	PS3402P	PS3541C53P
F3512BHB23A	F35VXBH023A	PS3402P	PS3541C53P
F3512BHC19144A	F35VXBH019A	PS3402P	PS3541C49P
F3512BHC19A	F35VXBH019A	PS3402P	PS3541C49P
F3512BHC23166A	F35VXBH023A	PS3402P	PS3541C53P
F3512BHC23A	F35VXBH023A	PS3402P	PS3541C53P
F3512BHC87A	F35VXBH087A	PS3402P	PS3541C57P


**"F" Series Cross-Reference Guide**



"F" Series	Suggested iSYS Replacement	Body Kit	Coil Kit
F3512BJA83001A	F35VXBJ083A	PS3402P	PS3541D53P
F3512BKA19A	F35VXBK019A	PS3402P	PS3541E49P
F3512BKB23A	F35VXBK023A	PS3402P	PS3541E53P
F3512BKC19A	F35VXBK019A	PS3402P	PS3541E49P
F3512BKC23A	F35VXBK023A	PS3402P	PS3541E53P
F3512BKC83A	F35VXBK083A	PS3402P	PS3541E53P
F3522BGC23A	F35VXBG023A	PS3402P	PS3541B53P
F3522BHB23A	F35VXBH023A	PS3402P	PS3541C53P
F3522BJC83A	F35VXBJ083A	PS3402P	PS3541D53P
F3522BKC23A	F35VXBK023A	PS3402P	PS3541E53P
F3532BBA49A	F35VXBB049A	PS3402P	PS3541B49P
F3551BCA53A	F35VXBC053A	PS3402P	PS3541B53P
F3551BG919166GA	F35VXBG019A	PS3402P	PS3541B49P
F3551BGA19A	F35VXBG019A	PS3402P	PS3541B49P
F3551BGA23A	F35VXBG023A	PS3402P	PS3541B53P
F3551BGC19001A	F35VXBG019A	PS3402P	PS3541B49P
F3551BGC19466A	F35VXBG019A	PS3402P	PS3541B49P
F3551BGC19A	F35VXBG019A	PS3402P	PS3541B49P
F3551BGC23001A	F35VXBG023A	PS3402P	PS3541B53P
F3551BGC23166A	F35VXBG023A	PS3402P	PS3541B53P
F3551BGC23466A	F35VXBG023A	PS3402P	PS3541B53P
F3551BGC23A	F35VXBG023A	PS3402P	PS3541B53P
F3551BHC19001A	F35VXBH019A	PS3402P	PS3541C49P
F3551BHC19A	F35VXBH019A	PS3402P	PS3541C49P
F3551BHC23A	F35VXBH023A	PS3402P	PS3541C53P
F3551BKC23A	F35VXBK023A	PS3402P	PS3541E53P
F3552BBA49A	F35VXBB049A	PS3402P	PS3541B49P
F3552BBB49A	F35VXBB049A	PS3402P	PS3541B49P
F3552BBC45A	F35VXBB045A	PS3402P	PS3541B45P
F3552BBC49466A	F35VXBB049A	PS3402P	PS3541B49P
F3552BBC49A	F35VXBB049A	PS3402P	PS3541B49P
F3552BCA42A	F35VXBC042A	PS3402P	PS3541B42P
F3552BCA53A	F35VXBC053A	PS3402P	PS3541B53P
F3552BGA19001A	F35VXBG019A	PS3402P	PS3541B49P
F3552BGA19A	F35VXBG019A	PS3402P	PS3541B49P
F3552BGA23001A	F35VXBG023A	PS3402P	PS3541B53P
F3552BGA23A	F35VXBG023A	PS3402P	PS3541B53P
F3552BGA83001A	F35VXBG083A	PS3402P	PS3541B53P
F3552BGB19001A	F35VXBG019A	PS3402P	PS3541B49P
F3552BGB19A	F35VXBG019A	PS3402P	PS3541B49P
F3552BGB23001A	F35VXBG023A	PS3402P	PS3541B53P
F3552BGB23A	F35VXBG023A	PS3402P	PS3541B53P
F3552BGC19001A	F35VXBG019A	PS3402P	PS3541B49P
F3552BGC19166A	F35VXBG019A	PS3402P	PS3541B49P
F3552BGC19266A	F35VXBG019A	PS3402P	PS3541B49P
F3552BGC19466A	F35VXBG019A	PS3402P	PS3541B49P
F3552BGC19A	F35VXBG019A	PS3402P	PS3541B49P
F3552BGC23001A	F35VXBG023A	PS3402P	PS3541B53P
F3552BGC23166A	F35VXBG023A	PS3402P	PS3541B53P
F3552BGC23266A	F35VXBG023A	PS3402P	PS3541B53P
F3552BGC23466A	F35VXBG023A	PS3402P	PS3541B53P
F3552BGC23A	F35VXBG023A	PS3402P	PS3541B53P
F3552BGM19111A	F35VXBG019A	PS3402P	PS3541B49P
F3552BGM19133A	F35VXBG019A	PS3402P	PS3541B49P
F3552BGM19144A	F35VXBG019A	PS3402P	PS3541B49P




## "F" Series Cross-Reference Guide

"F" Series	Suggested  Replacement	Body Kit	Coil Kit
F3552BGM19155A	F35VXBG019A	PS3402P	PS3541B49P
F3552BGM19166A	F35VXBG019A	PS3402P	PS3541B49P
F3552BGM19466A	F35VXBG019A	PS3402P	PS3541B49P
F3552BGM19A	F35VXBG019A	PS3402P	PS3541B49P
F3552BGM23001A	F35VXBG023A	PS3402P	PS3541B53P
F3552BGM23166A	F35VXBG023A	PS3402P	PS3541B53P
F3552BGM23466A	F35VXBG023A	PS3402P	PS3541B53P
F3552BGM23A	F35VXBG023A	PS3402P	PS3541B53P
F3552BGT19A	F35VXBG019A	PS3402P	PS3541B49P
F3552BHA19A	F35VXBH019A	PS3402P	PS3541C49P
F3552BHA23A	F35VXBH023A	PS3402P	PS3541C53P
F3552BHB19A	F35VXBH019A	PS3402P	PS3541C49P
F3552BHB23A	F35VXBH023A	PS3402P	PS3541C53P
F3552BHC19001A	F35VXBH019A	PS3402P	PS3541C49P
F3552BHC19166A	F35VXBH019A	PS3402P	PS3541C49P
F3552BHC19466A	F35VXBH019A	PS3402P	PS3541C49P
F3552BHC19566A	F35VXBH019A	PS3402P	PS3541C49P
F3552BHC19A	F35VXBH019A	PS3402P	PS3541C49P
F3552BHC23001A	F35VXBH023A	PS3402P	PS3541C53P
F3552BHC23A	F35VXBH023A	PS3402P	PS3541C53P
F3552BHM19A	F35VXBH019A	PS3402P	PS3541C49P
F3552BJC19A	F35VXBJ019A	PS3402P	PS3541D49P
F3552BJC23A	F35VXBJ023A	PS3402P	PS3541D53P
F3552BKB23166A	F35VXBK023A	PS3402P	PS3541E53P
F3552BKB23A	F35VXBK023A	PS3402P	PS3541E53P
F3552BKC19001A	F35VXBK019A	PS3402P	PS3541E49P
F3552BKC19A	F35VXBK019A	PS3402P	PS3541E49P
F3552BKC23166A	F35VXBK023A	PS3402P	PS3541E53P
F3552BKC23A	F35VXBK023A	PS3402P	PS3541E53P
F3552BKM19A	F35VXBK019A	PS3402P	PS3541E49P
F3552LHA23A	F35VXLH023A	PS3402P	PS3541C53P
F3554PGC19A	F35VXPG019A	PS3402P	PS3541B49P
F3561BGC19A	F35VXBG019A	PS3402P	PS3541B49P
F3561BGC23A	F35VXBG023A	PS3402P	PS3541B53P
F3561BGM19166A	F35VXBG019A	PS3402P	PS3541B49P
F3562BGA19A	F35VXBG019A	PS3402P	PS3541B49P
F3562BGA23A	F35VXBG023A	PS3402P	PS3541B53P
F3562BGB19A	F35VXBG019A	PS3402P	PS3541B49P
F3562BGC19001A	F35VXBG019A	PS3402P	PS3541B49P
F3562BGC19A	F35VXBG019A	PS3402P	PS3541B49P
F3562BGC23266A	F35VXBG023A	PS3402P	PS3541B53P
F3562BGC23A	F35VXBG023A	PS3402P	PS3541B53P
F3562BGM19001A	F35VXBG019A	PS3402P	PS3541B49P
F3562BGM19260A	F35VXBG019A	PS3402P	PS3541B49P
F3562BGM19266A	F35VXBG019A	PS3402P	PS3541B49P
F3562BGM19466A	F35VXBG019A	PS3402P	PS3541B49P
F3562BGM19A	F35VXBG019A	PS3402P	PS3541B49P
F3562BHA19A	F35VXBH019A	PS3402P	PS3541C49P
F3562BHC19A	F35VXBH019A	PS3402P	PS3541C49P
F3562BHC23001A	F35VXBH023A	PS3402P	PS3541C53P
F3562BHC23A	F35VXBH023A	PS3402P	PS3541C53P
F3562BHM19A	F35VXBH019A	PS3402P	PS3541C49P
F3562BHT19A	F35VXBH019A	PS3402P	PS3541C49P
F3562BJA23A	F35VXBJ023A	PS3402P	PS3541D53P
F3562BJC19166A	F35VXBJ019A	PS3402P	PS3541D49P

**"F" Series Cross-Reference Guide**

"F" Series	Suggested iSYS Replacement	Body Kit	Coil Kit
F3562BJC19A	F35VXBJ019A	PS3402P	PS3541D49P
F3562BJC23A	F35VXBJ023A	PS3402P	PS3541D53P
F3562PGC19466A	F35VXPG019A	PS3402P	PS3541B49P
F3563BGC19166A	F35VXBG019A	PS3402P	PS3541B49P
F3564BGA19A	F35VXBG019A	PS3402P	PS3541B49P
F3564BGM19A	F35VXBG019A	PS3402P	PS3541B49P
F3564PGC19A	F35VXPG019A	PS3402P	PS3541B49P
F3564PGM19A	F35VXPG019A	PS3402P	PS3541B49P
F3582PGC19001A	F35VXPG019A	PS3402P	PS3541B49P
F35VXBB049A	F35VXBB049A	PS3402P	PS3541B49P
F35VXBB053A	F35VXBB053A	PS3402P	PS3541B53P
F35VXBC053A	F35VXBC053A	PS3402P	PS3541B53P
F35VXBG015A	F35VXBG015A	PS3402P	PS3541B45P
F35VXBG019A	F35VXBG019A	PS3402P	PS3541B49P
F35VXBG023A	F35VXBG023A	PS3402P	PS3541B53P
F35VXBG083A	F35VXBG083A	PS3402P	PS3541B53P
F35VXBG087A	F35VXBG087A	PS3402P	PS3541B53P
F35VXBH012A	F35VXBH012A	PS3402P	PS3541C12P
F35VXBH019A	F35VXBH019A	PS3402P	PS3541C49P
F35VXBH023A	F35VXBH023A	PS3402P	PS3541C53P
F35VXBH083A	F35VXBH083A	PS3402P	PS3541C53P
F35VXBJ019A	F35VXBJ019A	PS3402P	PS3541D49P
F35VXBJ023A	F35VXBJ023A	PS3402P	PS3541D53P
F35VXBJ083A	F35VXBJ083A	PS3402P	PS3541D53P
F35VXBK019A	F35VXBK019A	PS3402P	PS3541E49P
F35VXBK023A	F35VXBK023A	PS3402P	PS3541E53P
F35VXLG019A	F35VXLG019A	PS3402P	PS3541B49P
F35VXPC053A	F35VXPC053A	PS3402P	PS3541B53P
F35VXPG019A	F35VXPG019A	PS3402P	PS3541B49P
F35VXPG023A	F35VXPG023A	PS3402P	PS3541B53P
F3611BGC19A	F36VXBG019A	PS3403P	PS3541B49P
F3611BGC23A	F36VXBG023A	PS3403P	PS3541B53P
F3611BHC23001A	F36VXBH023A	PS3403P	PS3541C53P
F3612BBA49A	F36VXBB049A	PS3403P	PS3541B49P
F3612BG819260FA	F36VXBG019A	PS3403P	PS3541B49P
F3612BG919000FA	F36VXBG019A	PS3403P	PS3541B49P
F3612BG987001CA	F36VXBG087A	PS3403P	PS3541B57P
F3612BGA19A	F36VXBG019A	PS3403P	PS3541B49P
F3612BGA23A	F36VXBG023A	PS3403P	PS3541B53P
F3612BGB19A	F36VXBG019A	PS3403P	PS3541B49P
F3612BGC19A	F36VXBG019A	PS3403P	PS3541B49P
F3612BGC23001A	F36VXBG023A	PS3403P	PS3541B53P
F3612BGC23466A	F36VXBG023A	PS3403P	PS3541B53P
F3612BGC23A	F36VXBG023A	PS3403P	PS3541B53P
F3612BHB23A	F36VXBH023A	PS3403P	PS3541C53P
F3612BJC83A	F36VXBJ083A	PS3403P	PS3541D53P
F3612BKC83A	F36VXBK083A	PS3403P	PS3541E53P
F3612LGC23A	F36VXLG023A	PS3403P	PS3541B53P
F3612LHC19A	F36VXLH019A	PS3403P	PS3541C49P
F3632BHB23A	F36VXBH023A	PS3403P	PS3541C53P
F3651BGC19A	F36VXBG019A	PS3403P	PS3541B49P
F3651BGM19A	F36VXBG019A	PS3403P	PS3541B49P
F3651LGA19001A	F36VXLG019A	PS3403P	PS3541B49P
F3651LGA19A	F36VXLG019A	PS3403P	PS3541B49P
F3652BBA49A	F36VXBB049A	PS3403P	PS3541B49P

**"F" Series Cross-Reference Guide**

"F" Series	Suggested  Replacement	Body Kit	Coil Kit
F3652BCA53A .....	F36VXBC053A .....	PS3403P .....	PS3541B53P
F3652BCC53A .....	F36VXBC053A .....	PS3403P .....	PS3541B53P
F3652BEC49A .....	F36VXBE049A .....	PS3403P .....	PS3541B49P
F3652BG819260FA .....	F36VXBG019A .....	PS3403P .....	PS3541B49P
F3652BG923266FA .....	F36VXBG023A .....	PS3403P .....	PS3541B53P
F3652BGA194MMA .....	F36VXBG019A .....	PS3403P .....	PS3541B49P
F3652BGA19A .....	F36VXBG019A .....	PS3403P .....	PS3541B49P
F3652BGA23166A .....	F36VXBG023A .....	PS3403P .....	PS3541B53P
F3652BGA23A .....	F36VXBG023A .....	PS3403P .....	PS3541B53P
F3652BGB15A .....	F36VXBG015A .....	PS3403P .....	PS3541B45P
F3652BGB19166A .....	F36VXBG019A .....	PS3403P .....	PS3541B49P
F3652BGB19A .....	F36VXBG019A .....	PS3403P .....	PS3541B49P
F3652BGB23001A .....	F36VXBG023A .....	PS3403P .....	PS3541B53P
F3652BGC19166A .....	F36VXBG019A .....	PS3403P .....	PS3541B49P
F3652BGC19266A .....	F36VXBG019A .....	PS3403P .....	PS3541B49P
F3652BGC19466A .....	F36VXBG019A .....	PS3403P .....	PS3541B49P
F3652BGC19A .....	F36VXBG019A .....	PS3403P .....	PS3541B49P
F3652BGC23001A .....	F36VXBG023A .....	PS3403P .....	PS3541B53P
F3652BGC23166A .....	F36VXBG023A .....	PS3403P .....	PS3541B53P
F3652BGC23466A .....	F36VXBG023A .....	PS3403P .....	PS3541B53P
F3652BGC23A .....	F36VXBG023A .....	PS3403P .....	PS3541B53P
F3652BGC83001A .....	F36VXBG083A .....	PS3403P .....	PS3541B53P
F3652BGC83466A .....	F36VXBG083A .....	PS3403P .....	PS3541B53P
F3652BGM19166A .....	F36VXBG019A .....	PS3403P .....	PS3541B49P
F3652BGM19266A .....	F36VXBG019A .....	PS3403P .....	PS3541B49P
F3652BGM19A .....	F36VXBG019A .....	PS3403P .....	PS3541B49P
F3652BGM23A .....	F36VXBG023A .....	PS3403P .....	PS3541B53P
F3652BGT19A .....	F36VXBG019A .....	PS3403P .....	PS3541B49P
F3652BHA19A .....	F36VXBH019A .....	PS3403P .....	PS3541C49P
F3652BHC19001A .....	F36VXBH019A .....	PS3403P .....	PS3541C49P
F3652BHC19A .....	F36VXBH019A .....	PS3403P .....	PS3541C49P
F3652BHC23A .....	F36VXBH023A .....	PS3403P .....	PS3541C53P
F3652BHC83A .....	F36VXBH083A .....	PS3403P .....	PS3541C53P
F3652BHM19A .....	F36VXBH019A .....	PS3403P .....	PS3541C49P
F3652BJA23166A .....	F36VXBJ023A .....	PS3403P .....	PS3541D53P
F3652BJC23A .....	F36VXBJ023A .....	PS3403P .....	PS3541D53P
F3652BJM19A .....	F36VXBJ019A .....	PS3403P .....	PS3541D49P
F3652LGC23A .....	F36VXLG023A .....	PS3403P .....	PS3541B53P
F3652PGB23001A .....	F36VXPG023A .....	PS3403P .....	PS3541B53P
F3652PGC19A .....	F36VXPG019A .....	PS3403P .....	PS3541B49P
F3654PGC19A .....	F36VXPG019A .....	PS3403P .....	PS3541B49P
F3661BGA19A .....	F36VXBG019A .....	PS3403P .....	PS3541B49P
F3661BGA23A .....	F36VXBG023A .....	PS3403P .....	PS3541B53P
F3661BGC23A .....	F36VXBG023A .....	PS3403P .....	PS3541B53P
F3661LGA19A .....	F36VXLG019A .....	PS3403P .....	PS3541B49P
F3662BGA15A .....	F36VXBG015A .....	PS3403P .....	PS3541B45P
F3662BGA23A .....	F36VXBG023A .....	PS3403P .....	PS3541B53P
F3662BGC19001A .....	F36VXBG019A .....	PS3403P .....	PS3541B49P
F3662BGC19166A .....	F36VXBG019A .....	PS3403P .....	PS3541B49P
F3662BGC19260A .....	F36VXBG019A .....	PS3403P .....	PS3541B49P
F3662BGC19A .....	F36VXBG019A .....	PS3403P .....	PS3541B49P
F3662BGC23266A .....	F36VXBG023A .....	PS3403P .....	PS3541B53P
F3662BGC23A .....	F36VXBG023A .....	PS3403P .....	PS3541B53P
F3662BGM19166A .....	F36VXBG019A .....	PS3403P .....	PS3541B49P
F3662BGM19A .....	F36VXBG019A .....	PS3403P .....	PS3541B49P

**"F" Series Cross-Reference Guide**

"F" Series	 Suggested Replacement	Body Kit	Coil Kit
F3662BHC19A	F36VXBH019A	PS3403P	PS3541C49P
F3662BHM19166A	F36VXBH019A	PS3403P	PS3541C49P
F3662BJC23A	F36VXBJ023A	PS3403P	PS3541D53P
F3662PGC19A	F36VXPG019A	PS3403P	PS3541B49P
F3664BGC19A	F36VXBG019A	PS3403P	PS3541B49P
F3664BGM19A	F36VXBG019A	PS3403P	PS3541B49P
F3664PGC19A	F36VXPG019A	PS3403P	PS3541B49P
F3664PGM19A	F36VXPG019A	PS3403P	PS3541B49P
F3682PGC19A	F36VXPG019A	PS3403P	PS3541B49P
F3684PGC19A	F36VXPG019A	PS3403P	PS3541B49P
F36VXBB045A	F36VXBB045A	PS3403P	PS3541B45P
F36VXBB049A	F36VXBB049A	PS3403P	PS3541B49P
F36VXBG015A	F36VXBG015A	PS3403P	PS3541B45P
F36VXBG019A	F36VXBG019A	PS3403P	PS3541B49P
F36VXBG023A	F36VXBG023A	PS3403P	PS3541B53P
F36VXBG083A	F36VXBG083A	PS3403P	PS3541B53P
F36VXBG087A	F36VXBG087A	PS3403P	PS3541B57P
F36VXBH019A	F36VXBH019A	PS3403P	PS3541C49P
F36VXBH023A	F36VXBH023A	PS3403P	PS3541C53P
F36VXBH083A	F36VXBH083A	PS3403P	PS3541C53P
F36VXBJ019A	F36VXBJ019A	PS3403P	PS3541D49P
F36VXBJ023A	F36VXBJ023A	PS3403P	PS3541D53P
F36VXBK019A	F36VXBK019A	PS3403P	PS3541E49P
F36VXBK023A	F36VXBK023A	PS3403P	PS3541E53P
F36VXEG019A	F36VXEG019A	PS3403P	PS3541B49P
F36VXEG023A	F36VXEG023A	PS3403P	PS3541B53P
F36VXLG019A	F36VXLG019A	PS3403P	PS3541B49P
F36VXLG023A	F36VXLG023A	PS3403P	PS3541B53P
F36VXPG019A	F36VXPG019A	PS3403P	PS3541B49P
F36VXPG023A	F36VXPG023A	PS3403P	PS3541B53P
F3712BGC12A	F37VXBG012A	PS3404P	PS3541B42P
F3712BGC23A	F37VXBG023A	PS3404P	PS3541B53P
F3751BHC23A	F37VXBH023A	PS3404P	PS3541C53P
F3752BBC49A	F37VXBB049A	PS3404P	PS3541B49P
F3752BGB19001A	F37VXBG019A	PS3404P	PS3541B49P
F3752BGB23001A	F37VXBG023A	PS3404P	PS3541B53P
F3752BGB23A	F37VXBG023A	PS3404P	PS3541B53P
F3752BGC19206A	F37VXBG019A	PS3404P	PS3541B49P
F3752BGC19266A	F37VXBG019A	PS3404P	PS3541B49P
F3752BGC19A	F37VXBG019A	PS3404P	PS3541B49P
F3752BGC23A	F37VXBG023A	PS3404P	PS3541B53P
F3752BHA23A	F37VXBH023A	PS3404P	PS3541C53P
F3752BHB23A	F37VXBH023A	PS3404P	PS3541C53P
F3752BHM19A	F37VXBH019A	PS3404P	PS3541C49P
F3752BJB23001A	F37VXBJ023A	PS3404P	PS3541D53P
F3752BJM19001A	F37VXBJ019A	PS3404P	PS3541D49P
F3752BJM23001A	F37VXBJ023A	PS3404P	PS3541D53P
F3752BKC19A	F37VXBK019A	PS3404P	PS3541E49P
F3752BKC23266A	F37VXBK023A	PS3404P	PS3541E53P
F3752BKC23A	F37VXBK023A	PS3404P	PS3541E53P
F3752LHA23A	F37VXLH023A	PS3404P	PS3541C53P
F3752PGC19206A	F37VXPG019A	PS3404P	PS3541B49P
F3752PGC19A	F37VXPG019A	PS3404P	PS3541B49P
F3752PJC19206A	F37VXPJ019A	PS3404P	PS3541D49P
F3754PGC19203A	F37VXPG019A	PS3404P	PS3541B49P

**"F" Series Cross-Reference Guide**


"F" Series	Suggested iSYS Replacement	Body Kit	Coil Kit
F3754PGC19A	F37VXPG019A	PS3404P	PS3541B49P
F3762BGA23A	F37VXBG023A	PS3404P	PS3541B53P
F3762BGC19A	F37VXBG019A	PS3404P	PS3541B49P
F3762BGC23466A	F37VXBG023A	PS3404P	PS3541B53P
F3762BGM19155A	F37VXBG019A	PS3404P	PS3541B49P
F3762BGM19205A	F37VXBG019A	PS3404P	PS3541B49P
F3762BGM19266A	F37VXBG019A	PS3404P	PS3541B49P
F3762BGM19A	F37VXBG019A	PS3404P	PS3541B49P
F3762PGC19A	F37VXPG019A	PS3404P	PS3541B49P
F3764BGC19A	F37VXBG019A	PS3404P	PS3541B49P
F3764PGC19203A	F37VXPG019A	PS3404P	PS3541B49P
F3764PGC19A	F37VXPG019A	PS3404P	PS3541B49P
F3764PGM19A	F37VXPG019A	PS3404P	PS3541B49P
F37VXBG019A	F37VXBG019A	PS3404P	PS3541B49P
F37VXBG023A	F37VXBG023A	PS3404P	PS3541B53P
F37VXBH023A	F37VXBH023A	PS3404P	PS3541C53P
F37VXBJ019A	F37VXBJ019A	PS3404P	PS3541D49P
F37VXBJ023A	F37VXBJ023A	PS3404P	PS3541D53P
F37VXBK019A	F37VXBK019A	PS3404P	PS3541E49P
F37VXBK023A	F37VXBK023A	PS3404P	PS3541E53P
F37VXLG019A	F37VXLG019A	PS3404P	PS3541B49P
F37VXLG023A	F37VXLG023A	PS3404P	PS3541B53P
F37VXLH015A	F37VXLH015A	PS3404P	PS3541C45P
F37VXPG012A	F37VXPG012A	PS3404P	PS3541B42P
F37VXPG019A	F37VXPG019A	PS3404P	PS3541B49P
F37VXPG023A	F37VXPG023A	PS3404P	PS3541B53P
F3811000XXA	F38VX000XXA	PS3402P	none
F3812000XXA	F38VX000XXA	PS3402P	none
F3832000XX155A	F38VX000XXA	PS3402P	none
F3852000XX266A	F38VX000XXA	PS3402P	none
F3852000XXA	F38VX000XXA	PS3402P	none
F38VX000XXA	F38VX000XXA	PS3402P	none
F3912000XX466A	F39VX000XXA	PS3403P	none
F3912000XXA	F39VX000XXA	PS3403P	none
F3952000XXA	F39VX000XXA	PS3403P	none
F3962000XXA	F39VX000XXA	PS3403P	none
F39VX000XXA	F39VX000XXA	PS3403P	none
F3E11BGA23A	F3EVXBG023A	PS3401P	PS3541B53P
F3E11BGC19166A	F3EVXBG019A	PS3401P	PS3541B49P
F3E11BGC19A	F3EVXBG019A	PS3401P	PS3541B49P
F3E11BGC23166A	F3EVXBG023A	PS3401P	PS3541B53P
F3E11BGC23A	F3EVXBG023A	PS3401P	PS3541B53P
F3E11LGC23A	F3EVXLG023A	PS3401P	PS3541B53P
F3E12BBA57001A	F3EVXBB057A	PS3401P	PS3541B57P
F3E12BG819000GA	F3EVXBG019A	PS3401P	PS3541B49P
F3E12BG919000FA	F3EVXBG019A	PS3401P	PS3541B49P
F3E12BGA12A	F3EVXBG012A	PS3401P	PS3541B42P
F3E12BGA23001A	F3EVXBG023A	PS3401P	PS3541B53P
F3E12BGA23A	F3EVXBG023A	PS3401P	PS3541B53P
F3E12BGB19A	F3EVXBG019A	PS3401P	PS3541B49P
F3E12BGB23A	F3EVXBG023A	PS3401P	PS3541B53P
F3E12BGB83A	F3EVXBG083A	PS3401P	PS3541B53P
F3E12BGC19166A	F3EVXBG019A	PS3401P	PS3541B49P
F3E12BGC19A	F3EVXBG019A	PS3401P	PS3541B49P
F3E12BGC23001A	F3EVXBG023A	PS3401P	PS3541B53P

**"F" Series Cross-Reference Guide**



"F" Series	Suggested iSYS Replacement	Body Kit	Coil Kit
F3E12BGC23A	F3EVXBG023A	PS3401P	PS3541B53P
F3E12BGC87A	F3EVXBG087A	PS3401P	PS3541B57P
F3E12BHA19A	F3EVXBH019A	PS3401P	PS3541C49P
F3E12BHA23A	F3EVXBH023A	PS3401P	PS3541C53P
F3E12BHC19A	F3EVXBH019A	PS3401P	PS3541C49P
F3E12BHC23166A	F3EVXBH023A	PS3401P	PS3541C53P
F3E12BHC23A	F3EVXBH023A	PS3401P	PS3541C53P
F3E12BHT19A	F3EVXBH019A	PS3401P	PS3541C49P
F3E12BJA23A	F3EVXBJ023A	PS3401P	PS3541D53P
F3E12BJC23A	F3EVXBJ023A	PS3401P	PS3541D53P
F3E12BJC83A	F3EVXBJ083A	PS3401P	PS3541D53P
F3E12BKA19A	F3EVXBK019A	PS3401P	PS3541E49P
F3E12BKC19A	F3EVXBK019A	PS3401P	PS3541E49P
F3E12BKC23266A	F3EVXBK023A	PS3401P	PS3541E53P
F3E12BKC23A	F3EVXBK023A	PS3401P	PS3541E53P
F3E12LBA49A	F3EVXLB049A	PS3401P	PS3541B49P
F3E12LHA23A	F3EVXLH023A	PS3401P	PS3541C53P
F3E12LHA83A	F3EVXLH083A	PS3401P	PS3541C53P
F3E12PGC23266A	F3EVXPG023A	PS3401P	PS3541B53P
F3E14BHC87166A	F3EVXBH087A	PS3401P	PS3541C57P
F3E14BKC19A	F3EVXBK019A	PS3401P	PS3541E49P
F3E22BBA53001A	F3EVXBB053A	PS3401P	PS3541B53P
F3E22BBA57001A	F3EVXBB057A	PS3401P	PS3541B57P
F3E22BGA23001A	F3EVXBG023A	PS3401P	PS3541B53P
F3E22BGA87001A	F3EVXBG087A	PS3401P	PS3541B57P
F3E22BGA87A	F3EVXBG087A	PS3401P	PS3541B57P
F3E22BGC19A	F3EVXBG019A	PS3401P	PS3541B49P
F3E22BGC23A	F3EVXBG023A	PS3401P	PS3541B53P
F3E22BHA23A	F3EVXBH023A	PS3401P	PS3541C53P
F3E32BGB83A	F3EVXBG083A	PS3401P	PS3541B53P
F3E32BGC15A	F3EVXBG015A	PS3401P	PS3541B45P
F3E32BGC23A	F3EVXBG023A	PS3401P	PS3541B53P
F3E32BHC15A	F3EVXBH015A	PS3401P	PS3541C45P
F3E51BGA19A	F3EVXBG019A	PS3401P	PS3541B49P
F3E51BGA23001A	F3EVXBG023A	PS3401P	PS3541B53P
F3E51BGA23A	F3EVXBG023A	PS3401P	PS3541B53P
F3E51BGB19A	F3EVXBG019A	PS3401P	PS3541B49P
F3E51BGC19001A	F3EVXBG019A	PS3401P	PS3541B49P
F3E51BGC19166A	F3EVXBG019A	PS3401P	PS3541B49P
F3E51BGC19466A	F3EVXBG019A	PS3401P	PS3541B49P
F3E51BGC19A	F3EVXBG019A	PS3401P	PS3541B49P
F3E51BGC23001A	F3EVXBG023A	PS3401P	PS3541B53P
F3E51BGC23A	F3EVXBG023A	PS3401P	PS3541B53P
F3E51BGM19001A	F3EVXBG019A	PS3401P	PS3541B49P
F3E52BBB49A	F3EVXBB049A	PS3401P	PS3541B49P
F3E52BBC57A	F3EVXBB057A	PS3401P	PS3541B57P
F3E52BG923000FA	F3EVXBG023A	PS3401P	PS3541B53P
F3E52BGA19A	F3EVXBG019A	PS3401P	PS3541B49P
F3E52BGA23A	F3EVXBG023A	PS3401P	PS3541B53P
F3E52BGB23001A	F3EVXBG023A	PS3401P	PS3541B53P
F3E52BGB23A	F3EVXBG023A	PS3401P	PS3541B53P
F3E52BGB83A	F3EVXBG083A	PS3401P	PS3541B53P
F3E52BGC15A	F3EVXBG015A	PS3401P	PS3541B45P
F3E52BGC19001A	F3EVXBG019A	PS3401P	PS3541B49P
F3E52BGC19133A	F3EVXBG019A	PS3401P	PS3541B49P

**"F" Series Cross-Reference Guide**

"F" Series	Suggested  Replacement	Body Kit	Coil Kit
F3E52BGC19166A	F3EVXBG019A	PS3401P	PS3541B49P
F3E52BGC19206A	F3EVXBG019A	PS3401P	PS3541B49P
F3E52BGC19466A	F3EVXBG019A	PS3401P	PS3541B49P
F3E52BGC19A	F3EVXBG019A	PS3401P	PS3541B49P
F3E52BGC23001A	F3EVXBG023A	PS3401P	PS3541B53P
F3E52BGC23166A	F3EVXBG023A	PS3401P	PS3541B53P
F3E52BGC23206A	F3EVXBG023A	PS3401P	PS3541B53P
F3E52BGC23355A	F3EVXBG023A	PS3401P	PS3541B53P
F3E52BGC23466A	F3EVXBG023A	PS3401P	PS3541B53P
F3E52BGC23A	F3EVXBG023A	PS3401P	PS3541B53P
F3E52BGC87A	F3EVXBG087A	PS3401P	PS3541B53P
F3E52BGJ19A	F3EVXBG019A	PS3401P	PS3541B49P
F3E52BGJ23001A	F3EVXBG023A	PS3401P	PS3541B53P
F3E52BGJ23166A	F3EVXBG023A	PS3401P	PS3541B53P
F3E52BGJ23A	F3EVXBG023A	PS3401P	PS3541B53P
F3E52BGM19A	F3EVXBG019A	PS3401P	PS3541B49P
F3E52BGM23001A	F3EVXBG023A	PS3401P	PS3541B53P
F3E52BGM23166A	F3EVXBG023A	PS3401P	PS3541B53P
F3E52BGM23A	F3EVXBG023A	PS3401P	PS3541B53P
F3E52BHA19A	F3EVXBH019A	PS3401P	PS3541B49P
F3E52BHA23001A	F3EVXBH023A	PS3401P	PS3541B53P
F3E52BHB19A	F3EVXBH019A	PS3401P	PS3541C49P
F3E52BHB23A	F3EVXBH023A	PS3401P	PS3541C53P
F3E52BHC15A	F3EVXBH015A	PS3401P	PS3541C45P
F3E52BHC19166A	F3EVXBH019A	PS3401P	PS3541C49P
F3E52BHC19A	F3EVXBH019A	PS3401P	PS3541C49P
F3E52BHC23201A	F3EVXBH023A	PS3401P	PS3541C53P
F3E52BHC23210A	F3EVXBH023A	PS3401P	PS3541C53P
F3E52BHC23A	F3EVXBH023A	PS3401P	PS3541C53P
F3E52BHC87001A	F3EVXBH087A	PS3401P	PS3541B49P
F3E52BHJ19001A	F3EVXBH019A	PS3401P	PS3541B49P
F3E52BHT19A	F3EVXBH019A	PS3401P	PS3541C49P
F3E52BJA23A	F3EVXBJ023A	PS3401P	PS3541D53P
F3E52BJB23144A	F3EVXBJ023A	PS3401P	PS3541D53P
F3E52BJB23155A	F3EVXBJ023A	PS3401P	PS3541D53P
F3E52BJB23166A	F3EVXBJ023A	PS3401P	PS3541D53P
F3E52BJB23A	F3EVXBJ023A	PS3401P	PS3541D53P
F3E52BJC23A	F3EVXBJ023A	PS3401P	PS3541D53P
F3E52BJC83A	F3EVXBJ083A	PS3401P	PS3541D53P
F3E52BKA19A	F3EVXBK019A	PS3401P	PS3541E49P
F3E52BKC19A	F3EVXBK019A	PS3401P	PS3541E49P
F3E52BKC23A	F3EVXBK023A	PS3401P	PS3541E53P
F3E52EGB19A	F3EVXEG019A	PS3401P	PS3541B49P
F3E52EGC19A	F3EVXEG019A	PS3401P	PS3541B49P
F3E52LGC19A	F3EVXLG019A	PS3401P	PS3541B49P
F3E52LGC23166A	F3EVXLG023A	PS3401P	PS3541B53P
F3E52PGC19306A	F3EVXPG019A	PS3401P	PS3541B49P
F3E54PGC19303A	F3EVXPG019A	PS3401P	PS3541B49P
F3E54PGC19306A	F3EVXPG019A	PS3401P	PS3541B49P
F3E61BBA57A	F3EVXBB057A	PS3401P	PS3541B57P
F3E61BGA23A	F3EVXBG023A	PS3401P	PS3541B53P
F3E61BJA23A	F3EVXBJ023A	PS3401P	PS3541D53P
F3E62BGA23A	F3EVXBG023A	PS3401P	PS3541B53P
F3E62BGB19A	F3EVXBG019A	PS3401P	PS3541B49P
F3E62BGB23A	F3EVXBG023A	PS3401P	PS3541B53P

**"F" Series Cross-Reference Guide**



"F" Series	Suggested Replacement	Body Kit	Coil Kit
F3E62BGC19001A	F3EVXBG019A	PS3401P	PS3541B49P
F3E62BGC19166A	F3EVXBG019A	PS3401P	PS3541B49P
F3E62BGC19A	F3EVXBG019A	PS3401P	PS3541B49P
F3E62BGC23001A	F3EVXBG023A	PS3401P	PS3541B53P
F3E62BGC23133A	F3EVXBG023A	PS3401P	PS3541B53P
F3E62BGC23166A	F3EVXBG023A	PS3401P	PS3541B53P
F3E62BGC23466A	F3EVXBG023A	PS3401P	PS3541B53P
F3E62BGC23A	F3EVXBG023A	PS3401P	PS3541B53P
F3E62BGC83A	F3EVXBG083A	PS3401P	PS3541B53P
F3E62BGJ23A	F3EVXBG023A	PS3401P	PS3541B53P
F3E62BGM19A	F3EVXBG019A	PS3401P	PS3541B49P
F3E62BHA23A	F3EVXBH023A	PS3401P	PS3541B53P
F3E62BHC12A	F3EVXBH012A	PS3401P	PS3541C12P
F3E62BHC23001A	F3EVXBH023A	PS3401P	PS3541C53P
F3E62BHC23A	F3EVXBH023A	PS3401P	PS3541C53P
F3E62BHM23A	F3EVXBH023A	PS3401P	PS3541C53P
F3E62BJC23166A	F3EVXBJ023A	PS3401P	PS3541D53P
F3E62BJC23266A	F3EVXBJ023A	PS3401P	PS3541D53P
F3E62BKA19A	F3EVXBK019A	PS3401P	PS3541E49P
F3E62BKC19A	F3EVXBK019A	PS3401P	PS3541E49P
F3E64BGC19A	F3EVXBG019A	PS3401P	PS3541B49P
F3E64BGM19A	F3EVXBG019A	PS3401P	PS3541B49P
F3E64LGC19A	F3EVXLG019A	PS3401P	PS3541B49P
F3E64PGC19303A	F3EVXPG019A	PS3401P	PS3541B49P
F3E82BGA23A	F3EVXBG023A	PS3401P	PS3541B53P
F3E82BJC23355A	F3EVXBJ023A	PS3401P	PS3541D53P
F3E82PGC19303A	F3EVXPG019A	PS3401P	PS3541B49P
F3E82PGC19306A	F3EVXPG019A	PS3401P	PS3541B49P
F3E82PGC19360A	F3EVXPG019A	PS3401P	PS3541B49P
F3E82PJC23A	F3EVXPJ023A	PS3401P	PS3541D53P
F3E84PGC19303A	F3EVXPG019A	PS3401P	PS3541B49P
F3E84PGC19306A	F3EVXPG019A	PS3401P	PS3541B49P
F3EVXBC049A	F3EVXBC049A	PS3401P	PS3541B49P
F3EVXBE049A	F3EVXBE049A	PS3401P	PS3541B49P
F3EVXBG012A	F3EVXBG012A	PS3401P	PS3541B42P
F3EVXBG019A	F3EVXBG019A	PS3401P	PS3541B49P
F3EVXBG023A	F3EVXBG023A	PS3401P	PS3541B53P
F3EVXBG083A	F3EVXBG083A	PS3401P	PS3541B53P
F3EVXBH012A	F3EVXBH012A	PS3401P	PS3541C12P
F3EVXBH015A	F3EVXBH015A	PS3401P	PS3541C45P
F3EVXBH019A	F3EVXBH019A	PS3401P	PS3541C49P
F3EVXBH023A	F3EVXBH023A	PS3401P	PS3541C53P
F3EVXBH087A	F3EVXBH087A	PS3401P	PS3541B53P
F3EVXBJ019A	F3EVXBJ019A	PS3401P	PS3541D49P
F3EVXBJ023A	F3EVXBJ023A	PS3401P	PS3541D53P
F3EVXBJ083A	F3EVXBJ083A	PS3401P	PS3541D53P
F3EVXBK019A	F3EVXBK019A	PS3401P	PS3541E49P
F3EVXBK023A	F3EVXBK023A	PS3401P	PS3541E53P
F3EVXPG019A	F3EVXPG019A	PS3401P	PS3541B49P
F3EVXPG023A	F3EVXPG023A	PS3401P	PS3541B53P
F3F11000XXA	F3FVX000XXA	PS3401P	none
F3F12000XXA	F3FVX000XXA	PS3401P	none
F3F51000XXA	F3FVX000XXA	PS3401P	none
F3F52000XX166A	F3FVX000XXA	PS3401P	none
F3F52000XX266A	F3FVX000XXA	PS3401P	none



**"F" Series Cross-Reference Guide**



"F" Series	Suggested Replacement	Body Kit	Coil Kit
F3F52000XXA	F3FVX000XXA	PS3401P	none
F3F61000XX466A	F3FVX000XXA	PS3401P	none
F3F62000XX466A	F3FVX000XXA	PS3401P	none
F3F62000XXA	F3FVX000XXA	PS3401P	none
F3FVX000XXA	F3FVX000XXA	PS3401P	none
F3N12BGC19A	Coil Kit Only	none	PS3541B49P
F3N52BKC19A	Coil Kit Only	none	PS3541E49P
F3N52BKM19A	Coil Kit Only	none	PS3541E49P
F3N61BGC23A	Coil Kit Only	none	PS3541B53P
F3N62BGC19A	Coil Kit Only	none	PS3541B49P
F3N62BGM19A	Coil Kit Only	none	PS3541B49P
F3NVXBG019A	Coil Kit Only	none	PS3541B49P
<hr/>			
F5015000XXA	H10VXX00XXC	PS3504P	
F50VX000XXA	H10VXX00XXC	PS3504P	
F5113BGA23A	H11VXBG023C	PS3501P	PS3541B53P
F5113BGB23A	H11VXBG023C	PS3501P	PS3541B53P
F5113BGC19A	H11VXBG0B9C	PS3501P	PS3541B49P
F5113BGC23A	H11VXBG023C	PS3501P	PS3541B53P
F5113BGC23266A	H11VXBG023C	PS3501P	PS3541B53P
F5113BGC23A	H11VXBG023C	PS3501P	PS3541B53P
F5113BHC23A	H11VXBH023C	PS3501P	PS3541C53P
F5113BKC23A	H11VXBH023C	PS3501P	PS3541E53P
F5113LGC23A	H11VXXG023C	PS3501P	PS3541B53P
F5115BGA23A	H11VXBG023C	PS3501P	PS3541B53P
F5115BGA83A	H11VXBG023C	PS3501P	PS3541B53P
F5115BGB23A	H11VXBG023C	PS3501P	PS3541B53P
F5115BGC19A	H11VXBG0B9C	PS3501P	PS3541B49P
F5115BGC19A	H11VXBG0B9C	PS3501P	PS3541B49P
F5115BGC23A	H11VXBG023C	PS3501P	PS3541B53P
F5115BGC23166A	H11VXBG023C	PS3501P	PS3541B53P
F5115BGC23A	H11VXBG023C	PS3501P	PS3541B53P
F5115BGC83A	H11VXBG023C	PS3501P	PS3541B53P
F5115BGT19A	H11VXBG0B9C	PS3501P	PS3541B49P
F5115BH723F	H11VXBH0230F	PS3501P	PS3541C53P
F5115BHB23A	H11VXBH023C	PS3501P	PS3541C53P
F5115BHC12A	H11VXBC042C	PS3501P	PS3541C42P
F5115BHC23A	H11VXBH023C	PS3501P	PS3541C53P
F5115BJB19A	H11VXBH0B9C	PS3501P	PS3541D49P
F5115BJC23A	H11VXBH023C	PS3501P	PS3541D53P
F5115BJC23A	H11VXBH023C	PS3501P	PS3541D53P
F5115BKC19A	H11VXBH0B9C	PS3501P	PS3541E49P
F5115BKC23206A	H11VXBH023C	PS3501P	PS3541E53P
F5115BKC23A	H11VXBH023C	PS3501P	PS3541E53P
F5115EHB23A	H11VXBH023C	PS3501P	PS3541C53P
F5115LGC19A	H11VXXG0B9C	PS3501P	PS3541B49P
F5115LGC23A	H11VXXG023C	PS3501P	PS3541B53P
F5115LJC23A	H11VXXH023C	PS3501P	PS3541D53P
F5115LKC23A	H11VXXH023C	PS3501P	PS3541E53P
F5115PGC23166A	H11VXXG023C	PS3501P	PS3541B53P
F5115PGC23A	H11VXXG023C	PS3501P	PS3541B53P
F5123BGC19A	H11VXBG0B9C	PS3501P	PS3541B49P
F5123BGC23A	H11VXBG023C	PS3501P	PS3541B53P

F5



"F" Series	Suggested Replacement	Body Kit	Coil Kit
F5125BGC23A	H11VXBG023C	PS3501P	PS3541B53P
F5125BGT19166A	H11VXBG0B9C	PS3501P	PS3541B49P
F5125BJC23A	H11VXBH023C	PS3501P	PS3541D53P
F5163BGA23A	H11VXBG023C	PS3501P	PS3541B53P
F5163BGA23A	H11VXBG023C	PS3501P	PS3541B53P
F5163BGB19A	H11VXBG0B9C	PS3501P	PS3541B49P
F5163BGB23A	H11VXBG023C	PS3501P	PS3541B53P
F5163BGB23166A	H11VXBG023C	PS3501P	PS3541B53P
F5163BGC12A	H11VXBB042C	PS3501P	PS3541B42P
F5163BGC19166A	H11VXBG0B9C	PS3501P	PS3541B49P
F5163BGC19A	H11VXBG0B9C	PS3501P	PS3541B49P
F5163BGC23A	H11VXBG023C	PS3501P	PS3541B53P
F5163BGC23166A	H11VXBG023C	PS3501P	PS3541B53P
F5163BGC23266A	H11VXBG023C	PS3501P	PS3541B53P
F5163BGC232MMA	H11VXBG0232MMA	PS3501P	PS3541B53P
F5163BGC23A	H11VXBG023C	PS3501P	PS3541B53P
F5163BGC83A	H11VXBG023C	PS3501P	PS3541B53P
F5163BGJ23A	H11VXBG023C	PS3501P	PS3541B53P
F5163BGM12A	H11VXBB042C	PS3501P	PS3541B42P
F5163BGM19166A	H11VXBG0B9C	PS3501P	PS3541B49P
F5163BGM19A	H11VXBG0B9C	PS3501P	PS3541B49P
F5163BGM23466A	H11VXBG023C	PS3501P	PS3541B53P
F5163BGM23A	H11VXBG023C	PS3501P	PS3541B53P
F5163BHC19A	H11VXBH0B9C	PS3501P	PS3541C49P
F5163BHC23A	H11VXBH023C	PS3501P	PS3541C53P
F5163BHD23466A	H11VXBH023C	PS3501P	PS3541C53P
F5163BJM19A	H11VXBH0B9C	PS3501P	PS3541D49P
F5163BJM23A	H11VXBH023C	PS3501P	PS3541D53P
F5163BKC83A	H11VXBH023C	PS3501P	PS3541E53P
F5163BLC23A	H11VXBG023C	PS3501P	PS3541B53P
F5163LGC23A	H11VXXG023C	PS3501P	PS3541B53P
F5163LLC23A	H11VXXG023C	PS3501P	PS3541B53P
F5163PGC23A	H11VXXG023C	PS3501P	PS3541B53P
F5165BG7230G	H11VXBG0230G	PS3501P	PS3541B53P
F5165BG8190G	H11VXBG0B90G	PS3501P	PS3541B49P
F5165BGA19A	H11VXBG0B9C	PS3501P	PS3541B49P
F5165BGA23A	H11VXBG023C	PS3501P	PS3541B53P
F5165BGA83A	H11VXBG023C	PS3501P	PS3541B53P
F5165BGB19A	H11VXBG0B9C	PS3501P	PS3541B49P
F5165BGB19A	H11VXBG0B9C	PS3501P	PS3541B49P
F5165BGB23A	H11VXBG023C	PS3501P	PS3541B53P
F5165BGB23466A	H11VXBG023C	PS3501P	PS3541B53P
F5165BGB23A	H11VXBG023C	PS3501P	PS3541B53P
F5165BGC19A	H11VXBG0B9C	PS3501P	PS3541B49P
F5165BGC19166A	H11VXBG0B9C	PS3501P	PS3541B49P
F5165BGC19A	H11VXBG0B9C	PS3501P	PS3541B49P
F5165BGC23A	H11VXBG023C	PS3501P	PS3541B53P
F5165BGC23166A	H11VXBG023C	PS3501P	PS3541B53P
F5165BGC231MMA	H11VXBG0231MMA	PS3501P	PS3541B53P
F5165BGC23266A	H11VXBG023C	PS3501P	PS3541B53P
F5165BGC23466A	H11VXBG023C	PS3501P	PS3541B53P
F5165BGC23A	H11VXBG023C	PS3501P	PS3541B53P
F5165BGC83A	H11VXBG023C	PS3501P	PS3541B53P
F5165BGJ19A	H11VXBG0B9C	PS3501P	PS3541B49P
F5165BGJ23A	H11VXBG023C	PS3501P	PS3541B53P



"F" Series	Suggested isys Replacement	Body Kit	Coil Kit
F5165BGM19166A	H11VXBG0B9C	PS3501P	PS3541B49P
F5165BGM19A	H11VXBG0B9C	PS3501P	PS3541B49P
F5165BGM23A	H11VXBG023C	PS3501P	PS3541B53P
F5165BGM23166A	H11VXBG023C	PS3501P	PS3541B53P
F5165BGM23277A	H11VXBG023C	PS3501P	PS3541B53P
F5165BGM23A	H11VXBG023C	PS3501P	PS3541B53P
F5165BGT19A	H11VXBG0B9C	PS3501P	PS3541B49P
F5165BH723F	H11VXBH0230F	PS3501P	PS3541C53P
F5165BHA23A	H11VXBH023C	PS3501P	PS3541C53P
F5165BHC19A	H11VXBH0B9C	PS3501P	PS3541C49P
F5165BHC23155A	H11VXBH023C	PS3501P	PS3541C53P
F5165BHC23260A	H11VXBH023C	PS3501P	PS3541C53P
F5165BHC23466A	H11VXBH023C	PS3501P	PS3541C53P
F5165BHC23A	H11VXBH023C	PS3501P	PS3541C53P
F5165BJC19A	H11VXBH0B9C	PS3501P	PS3541D49P
F5165BJC23155A	H11VXBH023C	PS3501P	PS3541D53P
F5165BJC23A	H11VXBH023C	PS3501P	PS3541D53P
F5165BKC23466A	H11VXBH023C	PS3501P	PS3541E53P
F5165BKC23A	H11VXBH023C	PS3501P	PS3541E53P
F5165BKC83A	H11VXBH023C	PS3501P	PS3541E53P
F5165BKC83A	H11VXBH023C	PS3501P	PS3541E53P
F5165BKJ19A	H11VXBH0B9C	PS3501P	PS3541E49P
F5165EGC23A	H11VXBG023C	PS3501P	PS3541B53P
F5165LGB19A	H11VXXG0B9C	PS3501P	PS3541B49P
F5165LGJ23A	H11VXXG023C	PS3501P	PS3541B53P
F5165LGJ23A	H11VXXG023C	PS3501P	PS3541B53P
F5166BGC19166A	H11VXBG0B9C	PS3501P	PS3541B49P
F51VXBB087A	H11VXBB057C	PS3501P	PS3541B57P
F51VXBC053A	H11VXBG023C	PS3501P	PS3541B53P
F51VXBG012A	H11VXBB042C	PS3501P	PS3541B42P
F51VXBG019A	H11VXBG0B9C	PS3501P	PS3541B49P
F51VXBG0233A	H11VXBG0233A	PS3501P	PS3541B53P
F51VXBG023A	H11VXBG023C	PS3501P	PS3541B53P
F51VXBG083A	H11VXBG023C	PS3501P	PS3541B53P
F51VXBH012A	H11VXBC042C	PS3501P	PS3541C42P
F51VXBH019A	H11VXBH0B9C	PS3501P	PS3541C49P
F51VXBH023A	H11VXBH023C	PS3501P	PS3541C53P
F51VXBH083A	H11VXBH023C	PS3501P	PS3541C53P
F51VXBJ019A	H11VXBH0B9C	PS3501P	PS3541D49P
F51VXBJ023A	H11VXBH023C	PS3501P	PS3541D53P
F51VXBK019A	H11VXBH0B9C	PS3501P	PS3541E49P
F51VXBK023A	H11VXBH023C	PS3501P	PS3541E53P
F51VXBL019A	H11VXBG0B9C	PS3501P	PS3541B49P
F51VXBL019AL	H11VXBG0B9AL	PS3501P	PS3541B49P
F51VXBL023A	H11VXBG023C	PS3501P	PS3541B53P
F51VXEG023A	H11VXBG023C	PS3501P	PS3541B53P
F51VXLG019A	H11VXXG0B9C	PS3501P	PS3541B49P
F51VXLG023A	H11VXXG023C	PS3501P	PS3541B53P
F51VXPG019A	H11VXXG0B9C	PS3501P	PS3541B49P
F51VXPG023A	H11VXXG023C	PS3501P	PS3541B53P
F51VXPH023A	H11VXXH023C	PS3501P	PS3541C53P
F5213BGA23A	H12VXBG023C	PS3501P	PS3541B53P
F5213BGC19A	H12VXBG0B9C	PS3501P	PS3541B49P
F5213BGC23A	H12VXBG023C	PS3501P	PS3541B53P
F5213BHC23260A	H12VXBH023C	PS3501P	PS3541C53P



"F" Series	Suggested Replacement	Body Kit	Coil Kit
F5213BHC23A	H12VXBH023C	PS3501P	PS3541C53P
F5215BG9230C	H12VXBG0230C	PS3501P	PS3541B53P
F5215BGA23A	H12VXBG023C	PS3501P	PS3541B53P
F5215BGB23A	H12VXBG023C	PS3501P	PS3541B53P
F5215BGC19206A	H12VXBG0B9C	PS3501P	PS3541B49P
F5215BGC19A	H12VXBG0B9C	PS3501P	PS3541B49P
F5215BGC23A	H12VXBG023C	PS3501P	PS3541B53P
F5215BGC23166A	H12VXBG023C	PS3501P	PS3541B53P
F5215BGC23A	H12VXBG023C	PS3501P	PS3541B53P
F5215BHC23A	H12VXBH023C	PS3501P	PS3541C53P
F5215BJC23A	H12VXBH023C	PS3501P	PS3541D53P
F5215BKC23166A	H12VXBH023C	PS3501P	PS3541E53P
F5215BKC23A	H12VXBH023C	PS3501P	PS3541E53P
F5216BGC19A	H12VXBG0B9C	PS3501P	PS3541B49P
F5225BJC23A	H12VXBH023C	PS3501P	PS3541D53P
F5263BBC53166A	H12VXBG023C	PS3501P	PS3541B53P
F5263BG8190F	H12VXBG0B90F	PS3501P	PS3541B49P
F5263BGA19A	H12VXBG0B9C	PS3501P	PS3541B49P
F5263BGB19466A	H12VXBG0B9C	PS3501P	PS3541B49P
F5263BGB23166A	H12VXBG023C	PS3501P	PS3541B53P
F5263BGC19A	H12VXBG0B9C	PS3501P	PS3541B49P
F5263BGC23A	H12VXBG023C	PS3501P	PS3541B53P
F5263BGC23166A	H12VXBG023C	PS3501P	PS3541B53P
F5263BGC2320MA	H12VXBG02320MA	PS3501P	PS3541B53P
F5263BGC23466A	H12VXBG023C	PS3501P	PS3541B53P
F5263BGC23A	H12VXBG023C	PS3501P	PS3541B53P
F5263BGC83A	H12VXBG023C	PS3501P	PS3541B53P
F5263BGM19466A	H12VXBG0B9C	PS3501P	PS3541B49P
F5263BGM23166A	H12VXBG023C	PS3501P	PS3541B53P
F5263BGM23A	H12VXBG023C	PS3501P	PS3541B53P
F5263BHC19A	H12VXBH0B9C	PS3501P	PS3541C49P
F5263BHC23260A	H12VXBH023C	PS3501P	PS3541C53P
F5263BJC83A	H12VXBH023C	PS3501P	PS3541D53P
F5263BKB23A	H12VXBH023C	PS3501P	PS3541E53P
F5263BKC23A	H12VXBH023C	PS3501P	PS3541E53P
F5264BHA23A	H12VXBH023C	PS3501P	PS3541C53P
F5265BBA87A	H12VXB057C	PS3501P	PS3541B57P
F5265BG8190G	H12VXBG0B90G	PS3501P	PS3541B49P
F5265BGA23A	H12VXBG023C	PS3501P	PS3541B53P
F5265BGB19166A	H12VXBG0B9C	PS3501P	PS3541B49P
F5265BGB19A	H12VXBG0B9C	PS3501P	PS3541B49P
F5265BGB23A	H12VXBG023C	PS3501P	PS3541B53P
F5265BGC15A	H12VXB045C	PS3501P	PS3541B45P
F5265BGC19A	H12VXBG0B9C	PS3501P	PS3541B49P
F5265BGC19166A	H12VXBG0B9C	PS3501P	PS3541B49P
F5265BGC19266A	H12VXBG0B9C	PS3501P	PS3541B49P
F5265BGC19A	H12VXBG0B9C	PS3501P	PS3541B49P
F5265BGC23A	H12VXBG023C	PS3501P	PS3541B53P
F5265BGC23166A	H12VXBG023C	PS3501P	PS3541B53P
F5265BGC23206A	H12VXBG023C	PS3501P	PS3541B53P
F5265BGC23266A	H12VXBG023C	PS3501P	PS3541B53P
F5265BGC23466A	H12VXBG023C	PS3501P	PS3541B53P
F5265BGC23A	H12VXBG023C	PS3501P	PS3541B53P
F5265BGM19A	H12VXBG0B9C	PS3501P	PS3541B49P
F5265BGM19266A	H12VXBG0B9C	PS3501P	PS3541B49P



"F" Series	Suggested isys Replacement	Body Kit	Coil Kit
F5265BGM19A	H12VXBG0B9C	PS3501P	PS3541B49P
F5265BGM23A	H12VXBG023C	PS3501P	PS3541B53P
F5265BGM23A	H12VXBG023C	PS3501P	PS3541B53P
F5265BGT19A	H12VXBG0B9C	PS3501P	PS3541B49P
F5265BHA23A	H12VXBH023C	PS3501P	PS3541C53P
F5265BHB23A	H12VXBH023C	PS3501P	PS3541C53P
F5265BHB23A	H12VXBH023C	PS3501P	PS3541C53P
F5265BHC232L0A	H12VXBH0232L0A	PS3501P	PS3541C53P
F5265BHC23A	H12VXBH023C	PS3501P	PS3541C53P
F5265BHW23A	H12VXBH023C	PS3501P	PS3541C53P
F5265BJB23A	H12VXBH023C	PS3501P	PS3541D53P
F5265BJC23A	H12VXBH023C	PS3501P	PS3541D53P
F5265BKM19A	H12VXBH0B9C	PS3501P	PS3541E49P
F5265BKM23A	H12VXBH023C	PS3501P	PS3541E53P
F5265BLC19A	H12VXBG0B9C	PS3501P	PS3541B49P
F5265BLC23A	H12VXBG023C	PS3501P	PS3541B53P
F5265LLC15A	H12VXXC045C	PS3501P	PS3541B45P
F52VXBB053A	H12VXBG023C	PS3501P	PS3541B53P
F52VXBB087A	H12VXBB057C	PS3501P	PS3541B57P
F52VXBC087A	F52VXBC057C	PS3501P	PS3541C57P
F52VXBG019A	H12VXBG0B9C	PS3501P	PS3541B49P
F52VXBG0233A	H12VXBG0233A	PS3501P	PS3541B53P
F52VXBG023A	H12VXBG023C	PS3501P	PS3541B53P
F52VXBG083A	H12VXBG023C	PS3501P	PS3541B53P
F52VXBH012A	H12VXBC042C	PS3501P	PS3541C42P
F52VXBH019A	H12VXBH0B9C	PS3501P	PS3541C49P
F52VXBH023A	H12VXBH023C	PS3501P	PS3541C53P
F52VXBJ023A	H12VXBH023C	PS3501P	PS3541D53P
F52VXBK019A	H12VXBH0B9C	PS3501P	PS3541E49P
F52VXBK023A	H12VXBH023C	PS3501P	PS3541E53P
F52VXBL019A	H12VXBG0B9C	PS3501P	PS3541B49P
F52VXBL023A	H12VXBG023C	PS3501P	PS3541B53P
F52VXPG019A	H12VXXG0B9C	PS3501P	PS3541B49P
F52VXPG023A	H12VXXG023C	PS3501P	PS3541B53P
F52VXPH023A	H12VXXH023C	PS3501P	PS3541C53P
F52VXPK019A	H12VXXH0B9C	PS3501P	PS3541E49P
F5315000XXA	H13VXX00XXC	PS3501P	
F5365000XXA	H13VXX00XXC	PS3501P	
F5365000XX466A	H13VXX00XXC	PS3501P	
F5365000XXA	H13VXX00XXC	PS3501P	
F53VX000XXA	H13VXX00XXC	PS3501P	
F5413000XXA	H14VXX00XXC	PS3501P	
F5415000XXA	H14VXX00XXC	PS3501P	
F5463000XXA	H14VXX00XXC	PS3501P	
F5465000XXA	H14VXX00XXC	PS3501P	
F5465000XX206A	H14VXX00XXC	PS3501P	
F5465000XX466A	H14VXX00XXC	PS3501P	
F5465000XXA	H14VXX00XXC	PS3501P	
F54VX000XXA	H14VXX00XXC	PS3501P	
F5513BBC87A	H15VXBB057C	PS3502P	PS3541B57P
F5513BCC87A	F55VXBC057C	PS3502P	PS3541C57P
F5513BG9190C	H15VXBG0B90C	PS3502P	PS3541B49P
F5513BG9230C	H15VXBG0230C	PS3502P	PS3541B53P
F5513BGC19A	H15VXBG0B9C	PS3502P	PS3541B49P
F5513BGC23A	H15VXBG023C	PS3502P	PS3541B53P



"F" Series	Suggested iSYS Replacement	Body Kit	Coil Kit
F5513BKC19A	H15VXBH0B9C	PS3502P	PS3541E49P
F5515BBC87A	H15VXBB057C	PS3502P	PS3541B57P
F5515BCC87A	F55VXBC057C	PS3502P	PS3541C57P
F5515BG9230C	H15VXBG0230C	PS3502P	PS3541B53P
F5515BGA15A	H15VXBB045C	PS3502P	PS3541B45P
F5515BGC19466A	H15VXBG0B9C	PS3502P	PS3541B49P
F5515BGC19A	H15VXBG0B9C	PS3502P	PS3541B49P
F5515BGC23A	H15VXBG023C	PS3502P	PS3541B53P
F5515BGC23A	H15VXBG023C	PS3502P	PS3541B53P
F5515BGC83A	H15VXBG023C	PS3502P	PS3541B53P
F5515BHC23A	H15VXBH023C	PS3502P	PS3541C53P
F5515BKC19A	H15VXBH0B9C	PS3502P	PS3541E49P
F5515BKC23A	H15VXBH023C	PS3502P	PS3541E53P
F5525BGC23A	H15VXBG023C	PS3502P	PS3541B53P
F5563BGB19A	H15VXBG0B9C	PS3502P	PS3541B49P
F5563BGC12A	H15VXBB042C	PS3502P	PS3541B42P
F5563BGC19A	H15VXBG0B9C	PS3502P	PS3541B49P
F5563BGC23A	H15VXBG023C	PS3502P	PS3541B53P
F5563BGC23166A	H15VXBG023C	PS3502P	PS3541B53P
F5563BGC232M0A	H15VXBG0232M0A	PS3502P	PS3541B53P
F5563BGC23A	H15VXBG023C	PS3502P	PS3541B53P
F5563BGE19166A	H15VXBG0B9C	PS3502P	PS3541B49P
F5563BGE19466A	H15VXBG0B9C	PS3502P	PS3541B49P
F5563BGM12A	H15VXBB042C	PS3502P	PS3541B42P
F5563BGM19466A	H15VXBG0B9C	PS3502P	PS3541B49P
F5563BHB19A	H15VXBH0B9C	PS3502P	PS3541C49P
F5563PGM23266A	H15VXXG023C	PS3502P	PS3541B53P
F5564BGM19A	H15VXBG0B9C	PS3502P	PS3541B49P
F5564BHC23A	H15VXBH023C	PS3502P	PS3541C53P
F5565BGA12A	H15VXBB042C	PS3502P	PS3541B42P
F5565BGA23A	H15VXBG023C	PS3502P	PS3541B53P
F5565BGB23A	H15VXBG023C	PS3502P	PS3541B53P
F5565BGB23166A	H15VXBG023C	PS3502P	PS3541B53P
F5565BGC19166A	H15VXBG0B9C	PS3502P	PS3541B49P
F5565BGC19206A	H15VXBG0B9C	PS3502P	PS3541B49P
F5565BGC19266A	H15VXBG0B9C	PS3502P	PS3541B49P
F5565BGC19A	H15VXBG0B9C	PS3502P	PS3541B49P
F5565BGC23A	H15VXBG023C	PS3502P	PS3541B53P
F5565BGC23166A	H15VXBG023C	PS3502P	PS3541B53P
F5565BGC23266A	H15VXBG023C	PS3502P	PS3541B53P
F5565BGC23466A	H15VXBG023C	PS3502P	PS3541B53P
F5565BGC23A	H15VXBG023C	PS3502P	PS3541B53P
F5565BGM19A	H15VXBG0B9C	PS3502P	PS3541B49P
F5565BGM23A	H15VXBG023C	PS3502P	PS3541B53P
F5565BGM23166A	H15VXBG023C	PS3502P	PS3541B53P
F5565BHB19A	H15VXBH0B9C	PS3502P	PS3541C49P
F5565BHB23A	H15VXBH023C	PS3502P	PS3541C53P
F5565BHC19A	H15VXBH0B9C	PS3502P	PS3541C49P
F5565BHC23A	H15VXBH023C	PS3502P	PS3541C53P
F5565BJC19A	H15VXBH0B9C	PS3502P	PS3541D49P
F5565BJC23A	H15VXBH023C	PS3502P	PS3541D53P
F5565BJC23A	H15VXBH023C	PS3502P	PS3541D53P
F5565BJM23A	H15VXBH023C	PS3502P	PS3541D53P
F5565BKC23A	H15VXBH023C	PS3502P	PS3541E53P
F5565BKC83A	H15VXBH023C	PS3502P	PS3541E53P



"F" Series	Suggested isys Replacement	Body Kit	Coil Kit
F5565BLC19A	H15VXBG0B9C	PS3502P	PS3541B49P
F5565LGB19A	H15VXXG0B9C	PS3502P	PS3541B49P
F5566BGM19A	H15VXBG0B9C	PS3502P	PS3541B49P
F5585BGM19366A	H15VXBG0B9C	PS3502P	PS3541B49P
F55VXBB053A	H15VXBG023C	PS3502P	PS3541B53P
F55VXBG012A	H15VXBB042C	PS3502P	PS3541B42P
F55VXBG019A	H15VXBG0B9C	PS3502P	PS3541B49P
F55VXBG023A	H15VXBG023C	PS3502P	PS3541B53P
F55VXBH019A	H15VXBH0B9C	PS3502P	PS3541C49P
F55VXBH0233A	H15VXBH0233C	PS3502P	PS3541C53P
F55VXBH023A	H15VXBH023C	PS3502P	PS3541C53P
F55VXBJ023A	H15VXBH023C	PS3502P	PS3541D53P
F55VXBK019A	H15VXBH0B9C	PS3502P	PS3541E49P
F55VXBK023A	H15VXBH023C	PS3502P	PS3541E53P
F55VXBL019A	H15VXBG0B9C	PS3502P	PS3541B49P
F55VXBL019AL	H15VXBG0B9C	PS3502P	PS3541B49P
F55VXBL023A	H15VXBG023C	PS3502P	PS3541B53P
F55VXLG023A	H15VXXG023C	PS3502P	PS3541B53P
F55VXPG019A	H15VXXG0B9C	PS3502P	PS3541B49P
F55VXPG023A	H15VXXG023C	PS3502P	PS3541B53P
F55VXPK019A	H15VXXH0B9C	PS3502P	PS3541E49P
F5613BGC12A	H16VXBB042C	PS3503P	PS3541B42P
F5613BGC19A	H16VXBG0B9C	PS3503P	PS3541B49P
F5613BGC23A	H16VXBG023C	PS3503P	PS3541B53P
F5613BHA233A	H16VXBH0233A	PS3503P	PS3541C53P
F5613LGA23A	H16VXXG023C	PS3503P	PS3541B53P
F5615BG9230C	H16VXBG0230C	PS3503P	PS3541B53P
F5615BGA23A	H16VXBG023C	PS3503P	PS3541B53P
F5615BGC23A	H16VXBG023C	PS3503P	PS3541B53P
F5615BJA23A	H16VXBH023C	PS3503P	PS3541D53P
F5615BJC19A	H16VXBH0B9C	PS3503P	PS3541D49P
F5615BKC23A	H16VXBH023C	PS3503P	PS3541E53P
F5615LHC23A	H16VXXH023C	PS3503P	PS3541C53P
F5615PKC19A	H16VXXH0B9C	PS3503P	PS3541E49P
F5625BGT19166A	H16VXBG0B9C	PS3503P	PS3541B49P
F5663BGA23A	H16VXBG023C	PS3503P	PS3541B53P
F5663BGB19266A	H16VXBG0B9C	PS3503P	PS3541B49P
F5663BGC19A	H16VXBG0B9C	PS3503P	PS3541B49P
F5663BGC23A	H16VXBG023C	PS3503P	PS3541B53P
F5663BGC23A	H16VXBG023C	PS3503P	PS3541B53P
F5663BGM19166A	H16VXBG0B9C	PS3503P	PS3541B49P
F5663BGM19A	H16VXBG0B9C	PS3503P	PS3541B49P
F5663BHC19A	H16VXBH0B9C	PS3503P	PS3541C49P
F5663BKB23A	H16VXBH023C	PS3503P	PS3541E53P
F5663BKC23A	H16VXBH023C	PS3503P	PS3541E53P
F5665BG819266G	H16VXBG0B90G	PS3503P	PS3541B49P
F5665BGA23A	H16VXBG023C	PS3503P	PS3541B53P
F5665BGB19266A	H16VXBG0B9C	PS3503P	PS3541B49P
F5665BGC19166A	H16VXBG0B9C	PS3503P	PS3541B49P
F5665BGC19A	H16VXBG0B9C	PS3503P	PS3541B49P
F5665BGC23A	H16VXBG023C	PS3503P	PS3541B53P
F5665BGC23166A	H16VXBG023C	PS3503P	PS3541B53P
F5665BGC23266A	H16VXBG023C	PS3503P	PS3541B53P
F5665BGC23466A	H16VXBG023C	PS3503P	PS3541B53P
F5665BGC23A	H16VXBG023C	PS3503P	PS3541B53P



"F" Series	Suggested iSYS Replacement	Body Kit	Coil Kit
F5665BGM23166A	H16VXBG023C	PS3503P	PS3541B53P
F5665BHC19A	H16VXBH0B9C	PS3503P	PS3541C49P
F5665BHM19A	H16VXBH0B9C	PS3503P	PS3541C49P
F5665BJC23A	H16VXBH023C	PS3503P	PS3541D53P
F5665BKC19266A	H16VXBH0B9C	PS3503P	PS3541E49P
F5665BKC19A	H16VXBH0B9C	PS3503P	PS3541E49P
F5665EGC23266A	H16VXBG023C	PS3503P	PS3541B53P
F56VXBG019A	H16VXBG0B9C	PS3503P	PS3541B49P
F56VXBG023A	H16VXBG023C	PS3503P	PS3541B53P
F56VXBH023A	H16VXBH023C	PS3503P	PS3541C53P
F56VXBJ023A	H16VXBH023C	PS3503P	PS3541D53P
F56VXBK019A	H16VXBH0B9C	PS3503P	PS3541E49P
F56VXBK023A	H16VXBH023C	PS3503P	PS3541E53P
F56VXBL019A	H16VXBG0B9C	PS3503P	PS3541B49P
F56VXLG019A	H16VXXG0B9C	PS3503P	PS3541B49P
F56VXLG023A	H16VXXG023C	PS3503P	PS3541B53P
F56VXPG023A	H16VXXG023C	PS3503P	PS3541B53P
F56VXPK019A	H16VXXH0B9C	PS3503P	PS3541E49P
F5713BGB23A	H17VXBG023C	PS3504P	PS3541B53P
F5715BGC23A	H17VXBG023C	PS3504P	PS3541B53P
F5715EGC19244A	H17VXBG0B9C	PS3504P	PS3541B49P
F5763BGB23A	H17VXBG023C	PS3504P	PS3541B53P
F5763BGC19A	H17VXBG0B9C	PS3504P	PS3541B49P
F5763BGC23A	H17VXBG023C	PS3504P	PS3541B53P
F5763BHC23266A	H17VXBH023C	PS3504P	PS3541C53P
F5765BGC19A	H17VXBG0B9C	PS3504P	PS3541B49P
F5765BGC19A	H17VXBG0B9C	PS3504P	PS3541B49P
F5765BGC23155A	H17VXBG023C	PS3504P	PS3541B53P
F5765BGC23A	H17VXBG023C	PS3504P	PS3541B53P
F5765BHC23266A	H17VXBH023C	PS3504P	PS3541C53P
F57VXBG019A	H17VXBG0B9C	PS3504P	PS3541B49P
F57VXBG023A	H17VXBG023C	PS3504P	PS3541B53P
F57VXBJ023A	H17VXBH023C	PS3504P	PS3541D53P
F57VXBK019A	H17VXBH0B9C	PS3504P	PS3541E49P
F57VXBL019A	H17VXBG0B9C	PS3504P	PS3541B49P
F57VXPG023A	H17VXXG023C	PS3504P	PS3541B53P
F57VXPH023A	H17VXXH023C	PS3504P	PS3541C53P
F5815000XXA	H18VXX00XXC	PS3502P	
F5863000XXA	H18VXX00XXC	PS3502P	
F5865000XX266A	H18VXX00XXC	PS3502P	
F5865000XXA	H18VXX00XXC	PS3502P	
F58VX000XXA	H18VXX00XXC	PS3502P	
F5915000XXA	H19VXX00XXC	PS3503P	
F5965000XX166A	H19VXX00XXC	PS3503P	
F5965000XX466A	H19VXX00XXC	PS3503P	
F59VX000XXA	H19VXX00XXC	PS3503P	
F5E13BBC87A	H1EVXBB057C	PS3501P	PS3541B57P
F5E13BGA23166A	H1EVXBG023C	PS3501P	PS3541B53P
F5E13BGA23A	H1EVXBG023C	PS3501P	PS3541B53P
F5E13BGC23A	H1EVXBG023C	PS3501P	PS3541B53P
F5E13BHC19A	H1EVXBH0B9C	PS3501P	PS3541C49P
F5E13BHC23A	H1EVXBH023C	PS3501P	PS3541C53P
F5E13BKC23A	H1EVXBH023C	PS3501P	PS3541E53P
F5E13LGC19A	H1EVXXG0B9C	PS3501P	PS3541B49P
F5E15BGA23A	H1EVXBG023C	PS3501P	PS3541B53P





"F" Series	Suggested isys Replacement	Body Kit	Coil Kit
F5E15BGC19A	H1EVXBG0B9C	PS3501P	PS3541B49P
F5E15BGC23166A	H1EVXBG023C	PS3501P	PS3541B53P
F5E15BGC23260A	H1EVXBG023C	PS3501P	PS3541B53P
F5E15BGC23A	H1EVXBG023C	PS3501P	PS3541B53P
F5E15BGT19A	H1EVXBG0B9C	PS3501P	PS3541B49P
F5E15BHC19A	H1EVXBH0B9C	PS3501P	PS3541C49P
F5E15BJB23A	H1EVXBH023C	PS3501P	PS3541D53P
F5E15BKC23A	H1EVXBH023C	PS3501P	PS3541E53P
F5E15LGA23A	H1EVXXG023C	PS3501P	PS3541B53P
F5E15LGC23A	H1EVXXG023C	PS3501P	PS3541B53P
F5E15LHC12A	H1EVXXC042C	PS3501P	PS3541C42P
F5E15LHC19A	H1EVXXH0B9C	PS3501P	PS3541C49P
F5E15PKC19A	H1EVXXH0B9C	PS3501P	PS3541E49P
F5E25BGC23A	H1EVXBG023C	PS3501P	PS3541B53P
F5E63BCC53A	H1EVXBG023C	PS3501P	PS3541B53P
F5E63BGC19166A	H1EVXBG0B9C	PS3501P	PS3541B49P
F5E63BGC19A	H1EVXBG0B9C	PS3501P	PS3541B49P
F5E63BGC23166A	H1EVXBG023C	PS3501P	PS3541B53P
F5E63BGC23A	H1EVXBG023C	PS3501P	PS3541B53P
F5E63BGJ19A	H1EVXBG0B9C	PS3501P	PS3541B49P
F5E63BHA23166A	H1EVXBH023C	PS3501P	PS3541C53P
F5E63BHC19A	H1EVXBH0B9C	PS3501P	PS3541C49P
F5E63BKB23A	H1EVXBH023C	PS3501P	PS3541E53P
F5E63BKC23A	H1EVXBH023C	PS3501P	PS3541E53P
F5E63BKJ23A	H1EVXBH023C	PS3501P	PS3541E53P
F5E63PGC19466A	H1EVXXG0B9C	PS3501P	PS3541B49P
F5E65BGA23A	H1EVXBG023C	PS3501P	PS3541B53P
F5E65BGB19A	H1EVXBG0B9C	PS3501P	PS3541B49P
F5E65BGB23166A	H1EVXBG023C	PS3501P	PS3541B53P
F5E65BGB23A	H1EVXBG023C	PS3501P	PS3541B53P
F5E65BGC19166A	H1EVXBG0B9C	PS3501P	PS3541B49P
F5E65BGC19A	H1EVXBG0B9C	PS3501P	PS3541B49P
F5E65BGC23A	H1EVXBG023C	PS3501P	PS3541B53P
F5E65BGC23166A	H1EVXBG023C	PS3501P	PS3541B53P
F5E65BGC23266A	H1EVXBG023C	PS3501P	PS3541B53P
F5E65BGC23A	H1EVXBG023C	PS3501P	PS3541B53P
F5E65BGJ19166A	H1EVXBG0B9C	PS3501P	PS3541B49P
F5E65BGJ19266A	H1EVXBG0B9C	PS3501P	PS3541B49P
F5E65BGJ19A	H1EVXBG0B9C	PS3501P	PS3541B49P
F5E65BGM19166A	H1EVXBG0B9C	PS3501P	PS3541B49P
F5E65BGM19A	H1EVXBG0B9C	PS3501P	PS3541B49P
F5E65BHB23A	H1EVXBH023C	PS3501P	PS3541C53P
F5E65BHB23166A	H1EVXBH023C	PS3501P	PS3541C53P
F5E65BHB23A	H1EVXBH023C	PS3501P	PS3541C53P
F5E65BHC19A	H1EVXBH0B9C	PS3501P	PS3541C49P
F5E65BHC23A	H1EVXBH023C	PS3501P	PS3541C53P
F5E65BHC23A	H1EVXBH023C	PS3501P	PS3541C53P
F5E65BHJ19A	H1EVXBH0B9C	PS3501P	PS3541C49P
F5E65BJC19A	H1EVXBH0B9C	PS3501P	PS3541D49P
F5E65BKC23A	H1EVXBH023C	PS3501P	PS3541E53P
F5E65BKC23466A	H1EVXBH023C	PS3501P	PS3541E53P
F5E65BKC23A	H1EVXBH023C	PS3501P	PS3541E53P
F5E65LGC23A	H1EVXXG023C	PS3501P	PS3541B53P
F5EVXBG019A	H1EVXBG0B9C	PS3501P	PS3541B49P
F5EVXBG023A	H1EVXBG023C	PS3501P	PS3541B53P



"F" Series	Suggested iSYS Replacement	Body Kit	Coil Kit	
F5EVXBH019A	H1EVXBH0B9C	PS3501P	PS3541C49P	
F5EVXBH023A	H1EVXBH023C	PS3501P	PS3541C53P	
F5EVXBJ023A	H1EVXBH023C	PS3501P	PS3541D53P	
F5EVXBK019A	H1EVXBH0B9C	PS3501P	PS3541E49P	
F5EVXBK023A	H1EVXBH023C	PS3501P	PS3541E53P	
F5EVXBL019A	H1EVXBG0B9C	PS3501P	PS3541B49P	
F5EVXBL023A	H1EVXBG023C	PS3501P	PS3541B53P	
F5EVXLG019A	H1EVXXG0B9C	PS3501P	PS3541B49P	
F5EVXLG023A	H1EVXXG023C	PS3501P	PS3541B53P	
F5EVXPG023A	H1EVXXG023C	PS3501P	PS3541B53P	
F5EVXPH023A	H1EVXXH023C	PS3501P	PS3541C53P	
F5EVXPK019A	H1EVXXH0B9C	PS3501P	PS3541E49P	
F5F15000XXA	H1FVXX00XXC	PS3501P		
F5F25000XXA	H1FVXX00XXC	PS3501P		
F5F63000XXA	H1FVXX00XXC	PS3501P		
F5F65000XX466A	H1FVXX00XXC	PS3501P		
F5FVX000XXA	H1FVXX00XXC	PS3501P		
<hr/>				
<b>F6</b>	F6115BG9190G	H21VXBG0B90G	PS3601P	PS3541B49P
	F6115BGC23A	H21VXBG023C	PS3601P	PS3541B53P
	F6115BGC23A	H21VXBG023C	PS3601P	PS3541B53P
	F6115BKA23A	H21VXBH023C	PS3601P	PS3541E53P
	F6115BKC23A	H21VXBH023C	PS3601P	PS3541E53P
	F6117BG9194AAF	H21VXBG0B90F	PS3601P	PS3541B49P
	F6117BGA23A	H21VXBG023C	PS3601P	PS3541B53P
	F6117BGB23A	H21VXBG023C	PS3601P	PS3541B53P
	F6117BGC19466A	H21VXBG0B9C	PS3601P	PS3541B49P
	F6117BGC19A	H21VXBG0B9C	PS3601P	PS3541B49P
	F6117BGC23A	H21VXBG023C	PS3601P	PS3541B53P
	F6117BGC23A	H21VXBG023C	PS3601P	PS3541B53P
	F6117BK9194AAF	H21VXBH0B90F	PS3601P	PS3541E49P
	F6117BKA23A	H21VXBH023C	PS3601P	PS3541E53P
	F6117PGC23A	H21VXXG023C	PS3601P	PS3541B53P
	F6118BGC23A	H21VXBG023C	PS3601P	PS3541B53P
	F6125BGC23A	H21VXBG023C	PS3601P	PS3541B53P
	F6127BGC23A	H21VXBG023C	PS3601P	PS3541B53P
	F6128BGC23A	H21VXBG023C	PS3601P	PS3541B53P
	F6155BGC19A	H21VXBG0B9C	PS3601P	PS3541B49P
	F6155BGC23A	H21VXBG023C	PS3601P	PS3541B53P
	F6155BGM19266A	H21VXBG0B9C	PS3601P	PS3541B49P
	F6155BGM23A	H21VXBG023C	PS3601P	PS3541B53P
	F6155BKC23206A	H21VXBH023C	PS3601P	PS3541E53P
	F6157BGB23A	H21VXBG023C	PS3601P	PS3541B53P
	F6157BGB23166A	H21VXBG023C	PS3601P	PS3541B53P
	F6157BGC19A	H21VXBG0B9C	PS3601P	PS3541B49P
	F6157BGC23166A	H21VXBG023C	PS3601P	PS3541B53P
	F6157BGC23A	H21VXBG023C	PS3601P	PS3541B53P
	F6157BGJ23A	H21VXBG023C	PS3601P	PS3541B53P
	F6157BGM194AAA	H21VXBG0B9CA	PS3601P	PS3541B49P
	F6157BGM19A	H21VXBG0B9C	PS3601P	PS3541B49P
	F6157BKM194AAA	H21VXBH0B9CA	PS3601P	PS3541E49P
	F6157BKM19A	H21VXBH0B9C	PS3601P	PS3541E49P
	F6165BGC19A	H21VXBG0B9C	PS3601P	PS3541B49P



"F" Series	Suggested isys Replacement	Body Kit	Coil Kit
F6165BGC23A	H21VXBG023C	PS3601P	PS3541B53P
F6165BGC23266A	H21VXBG023C	PS3601P	PS3541B53P
F6165BGC23A	H21VXBG023C	PS3601P	PS3541B53P
F6165BGJ19A	H21VXBG0B9C	PS3601P	PS3541B49P
F6165PGC19A	H21VXXG0B9C	PS3601P	PS3541B49P
F6166BBC87A	H21VXBB057C	PS3601P	PS3541B57P
F6167BGC19A	H21VXBG0B9C	PS3601P	PS3541B49P
F6167BGC19206A	H21VXBG0B9C	PS3601P	PS3541B49P
F6167BGC19A	H21VXBG0B9C	PS3601P	PS3541B49P
F6167BGC23166A	H21VXBG023C	PS3601P	PS3541B53P
F6167BGC23A	H21VXBG023C	PS3601P	PS3541B53P
F61VXBB087A	H21VXBB057C	PS3601P	PS3541B57P
F61VXBG019A	H21VXBG0B9C	PS3601P	PS3541B49P
F61VXBG023A	H21VXBG023C	PS3601P	PS3541B53P
F61VXBK019A	H21VXBH0B9C	PS3601P	PS3541E49P
F61VXBK023A	H21VXBH023C	PS3601P	PS3541E53P
F61VXCG023A	H21VXBG023C	PS3601P	PS3541B53P
F61VXLG019A	H21VXXG0B9C	PS3601P	PS3541B49P
F61VXPG019A	H21VXXG0B9C	PS3601P	PS3541B49P
F61VXPG023A	H21VXXG023C	PS3601P	PS3541B53P
F6215BG9190F	H22VXBG0B90F	PS3601P	PS3541B49P
F6215BGB19266A	H22VXBG0B9C	PS3601P	PS3541B49P
F6215BGC19A	H22VXBG0B9C	PS3601P	PS3541B49P
F6215BGC23A	H22VXBG023C	PS3601P	PS3541B53P
F6215BKC23A	H22VXBH023C	PS3601P	PS3541E53P
F6215LGC23A	H22VXXG023C	PS3601P	PS3541B53P
F6217BG9230F	H22VXBG0230F	PS3601P	PS3541B53P
F6217BG9230G	H22VXBG0230G	PS3601P	PS3541B53P
F6217BGA19A	H22VXBG0B9C	PS3601P	PS3541B49P
F6217BGA23A	H22VXBG023C	PS3601P	PS3541B53P
F6217BGC19A	H22VXBG0B9C	PS3601P	PS3541B49P
F6217BGC23166A	H22VXBG023C	PS3601P	PS3541B53P
F6217BGC23A	H22VXBG023C	PS3601P	PS3541B53P
F6225BGC23A	H22VXBG023C	PS3601P	PS3541B53P
F6227BGC19A	H22VXBG0B9C	PS3601P	PS3541B49P
F6227BGC23A	H22VXBG023C	PS3601P	PS3541B53P
F6255BGM19266A	H22VXBG0B9C	PS3601P	PS3541B49P
F6255BGM19A	H22VXBG0B9C	PS3601P	PS3541B49P
F6255BKC23166A	H22VXBH023C	PS3601P	PS3541E53P
F6255BKC23A	H22VXBH023C	PS3601P	PS3541E53P
F6257BG9230G	H22VXBG0230G	PS3601P	PS3541B53P
F6257BGA19A	H22VXBG0B9C	PS3601P	PS3541B49P
F6257BGB19A	H22VXBG0B9C	PS3601P	PS3541B49P
F6257BGC23266A	H22VXBG023C	PS3601P	PS3541B53P
F6257BGC23A	H22VXBG023C	PS3601P	PS3541B53P
F6265BGC19A	H22VXBG0B9C	PS3601P	PS3541B49P
F6265BGM19A	H22VXBG0B9C	PS3601P	PS3541B49P
F6267BGC19A	H22VXBG0B9C	PS3601P	PS3541B49P
F6267BGC23A	H22VXBG023C	PS3601P	PS3541B53P
F62VXBB087A	H22VXBB057C	PS3601P	PS3541B57P
F62VXBG019A	H22VXBG0B9C	PS3601P	PS3541B49P
F62VXBG023A	H22VXBG023C	PS3601P	PS3541B53P
F62VXBK019A	H22VXBH0B9C	PS3601P	PS3541E49P
F62VXBK023A	H22VXBH023C	PS3601P	PS3541E53P
F62VXCG023A	H22VXB G023C	PS3601P	PS3541B53P



"F" Series	Suggested iSYS Replacement	Body Kit	Coil Kit
F6317000XXA	H23VXX00XXC	PS3601P	
F63VX000XXA	H23VXX00XXC	PS3601P	
F6417000XXA	H24VXX00XXC	PS3601P	
F64VX000XXA	H24VXX00XXC	PS3601P	
F6515BGA23A	H25VXBG023C	PS3602P	PS3541B53P
F6515BGB23A	H25VXBG023C	PS3602P	PS3541B53P
F6515BGC19A	H25VXBG0B9C	PS3602P	PS3541B49P
F6515BGC23A	H25VXBG023C	PS3602P	PS3541B53P
F6517BG9190F	H25VXBG0B90F	PS3602P	PS3541B49P
F6517BGA23A	H25VXBG023C	PS3602P	PS3541B53P
F6517BGC15A	H25VXBB045C	PS3602P	PS3541B45P
F6517BGC19A	H25VXBG0B9C	PS3602P	PS3541B49P
F6517BGC23A	H25VXBG023C	PS3602P	PS3541B53P
F6517BKC19166A	H25VXBH0B9C	PS3602P	PS3541E49P
F6517BKC19A	H25VXBH0B9C	PS3602P	PS3541E49P
F6517LGC23A	H25VXXG023C	PS3602P	PS3541B53P
F6527BGC23A	H25VXBG023C	PS3602P	PS3541B53P
F6555BG919266G	H25VXBG0B90G	PS3602P	PS3541B49P
F6555BGC23A	H25VXBG023C	PS3602P	PS3541B53P
F6555BGC23A	H25VXBG023C	PS3602P	PS3541B53P
F6555BGM23A	H25VXBG023C	PS3602P	PS3541B53P
F6557BGB23A	H25VXBG023C	PS3602P	PS3541B53P
F6557BGB23A	H25VXBG023C	PS3602P	PS3541B53P
F6557BGC19A	H25VXBG0B9C	PS3602P	PS3541B49P
F6557BGC19166A	H25VXBG0B9C	PS3602P	PS3541B49P
F6557BGC19A	H25VXBG0B9C	PS3602P	PS3541B49P
F6557BGC23A	H25VXBG023C	PS3602P	PS3541B53P
F6557BGC23A	H25VXBG023C	PS3602P	PS3541B53P
F6557BGM19A	H25VXBG0B9C	PS3602P	PS3541B49P
F6557BGM23A	H25VXBG023C	PS3602P	PS3541B53P
F6557BGM23A	H25VXBG023C	PS3602P	PS3541B53P
F6565BGC19A	H25VXBG0B9C	PS3602P	PS3541B49P
F6565BGC23166A	H25VXBG023C	PS3602P	PS3541B53P
F6565BGC23466A	H25VXBG023C	PS3602P	PS3541B53P
F6565PGC19A	H25VXXG0B9C	PS3602P	PS3541B49P
F6567BGC19A	H25VXBG0B9C	PS3602P	PS3541B49P
F6567BGC23A	H25VXBG023C	PS3602P	PS3541B53P
F65VXBG015A	H25VXBB045C	PS3602P	PS3541B45P
F65VXBG019A	H25VXBG0B9C	PS3602P	PS3541B49P
F65VXBG023A	H25VXBG023C	PS3602P	PS3541B53P
F65VXBK019A	H25VXBH0B9C	PS3602P	PS3541E49P
F65VXBK023A	H25VXBH023C	PS3602P	PS3541E53P
F6615BGB19266A	H26VXBG0B9C	PS3603P	PS3541B49P
F6615BGB19A	H26VXBG0B9C	PS3603P	PS3541B49P
F6615BGC23A	H26VXBG023C	PS3603P	PS3541B53P
F6617BG919266F	H26VXBG0B90F	PS3603P	PS3541B49P
F6617BGB19266A	H26VXBG0B9C	PS3603P	PS3541B49P
F6617BGC19166A	H26VXBG0B9C	PS3603P	PS3541B49P
F6617BGC19A	H26VXBG0B9C	PS3603P	PS3541B49P
F6617BGC23A	H26VXBG023C	PS3603P	PS3541B53P
F6625BGC23A	H26VXBG023C	PS3603P	PS3541B53P
F6627BGC23A	H26VXBG023C	PS3603P	PS3541B53P
F6655BG9190F	H26VXBG0B90F	PS3603P	PS3541B49P
F6655BG919266F	H26VXBG0B90F	PS3603P	PS3541B49P
F6655BG9230F	H26VXBG0230F	PS3603P	PS3541B53P



"F" Series	Suggested isys Replacement	Body Kit	Coil Kit
F6655BG923266F	H26VXBG0230F	PS3603P	PS3541B53P
F6655BGM19266A	H26VXBG0B9C	PS3603P	PS3541B49P
F6657BG819206F	H26VXBG0B90F	PS3603P	PS3541B49P
F6657BG819260F	H26VXBG0B90F	PS3603P	PS3541B49P
F6657BGC19166A	H26VXBG0B9C	PS3603P	PS3541B49P
F6657BGC19A	H26VXBG0B9C	PS3603P	PS3541B49P
F6657BGC23A	H26VXBG023C	PS3603P	PS3541B53P
F6667BGC19A	H26VXBG0B9C	PS3603P	PS3541B49P
F66VXBG019A	H26VXBG0B9C	PS3603P	PS3541B49P
F66VXBG023A	H26VXBG023C	PS3603P	PS3541B53P
F66VXBK023A	H26VXBH023C	PS3603P	PS3541E53P
F66VXLG019A	H26VXXG0B9C	PS3603P	PS3541B49P
F66VXPG023A	H26VXXG023C	PS3603P	PS3541B53P
F6757BGC19A	H27VXBG0B9C	PS3604P	PS3541B49P
F67VXBG019A	H27VXBG0B9C	PS3604P	PS3541B49P
F67VXBG023A	H27VXBG023C	PS3604P	PS3541B53P
F67VXPG019A	H27VXXG0B9C	PS3604P	PS3541B49P
F6817000XXA	H28VXX00XXC	PS3602P	
F69VX000XXA	H29VXX00XXC	PS3603P	
F6E15BG9190F	H2EVXBG0B90F	PS3601P	PS3541B49P
F6E15BGB83A	H2EVXBG023C	PS3601P	PS3541B53P
F6E15BGC23A	H2EVXBG023C	PS3601P	PS3541B53P
F6E17BG7230F	H2EVXBG0230F	PS3601P	PS3541B53P
F6E17BG9230F	H2EVXBG0230F	PS3601P	PS3541B53P
F6E17BGA23A	H2EVXBG023C	PS3601P	PS3541B53P
F6E17BGC19A	H2EVXBG0B9C	PS3601P	PS3541B49P
F6E17BGC23A	H2EVXBG023C	PS3601P	PS3541B53P
F6E17BKC19A	H2EVXBH0B9C	PS3601P	PS3541E49P
F6E17BKC23A	H2EVXBH023C	PS3601P	PS3541E53P
F6E17PGC23A	H2EVXXG023C	PS3601P	PS3541B53P
F6E27BG7190C	H2EVXBG0B90C	PS3601P	PS3541B49P
F6E27LGC19A	H2EVXXG0B9C	PS3601P	PS3541B49P
F6E55BG9190F	H2EVXBG0B90F	PS3601P	PS3541B49P
F6E55BG9230F	H2EVXBG0230F	PS3601P	PS3541B53P
F6E55BGC23A	H2EVXBG023C	PS3601P	PS3541B53P
F6E55BGM19266A	H2EVXBG0B9C	PS3601P	PS3541B49P
F6E55BGM19A	H2EVXBG0B9C	PS3601P	PS3541B49P
F6E55BKC19A	H2EVXBH0B9C	PS3601P	PS3541E49P
F6E55BKC23A	H2EVXBH023C	PS3601P	PS3541E53P
F6E57BGB19A	H2EVXBG0B9C	PS3601P	PS3541B49P
F6E57BGB19A	H2EVXBG0B9C	PS3601P	PS3541B49P
F6E57BGC19A	H2EVXBG0B9C	PS3601P	PS3541B49P
F6E57BGC23A	H2EVXBG023C	PS3601P	PS3541B53P
F6E57BGM19A	H2EVXBG0B9C	PS3601P	PS3541B49P
F6E57BK719466C	H2EVXBH0B90C	PS3601P	PS3541E49P
F6E57BKC23A	H2EVXBH023C	PS3601P	PS3541E53P
F6E57LGM19A	H2EVXXG0B9C	PS3601P	PS3541B49P
F6E65BGC19A	H2EVXBG0B9C	PS3601P	PS3541B49P
F6E65BGM19266A	H2EVXBG0B9C	PS3601P	PS3541B49P
F6E65BGM19A	H2EVXBG0B9C	PS3601P	PS3541B49P
F6E67BGA23A	H2EVXBG023C	PS3601P	PS3541B53P
F6E67BGC19A	H2EVXBG0B9C	PS3601P	PS3541B49P
F6EVXBG019A	H2EVXBG0B9C	PS3601P	PS3541B49P
F6EVXBG023A	H2EVXBG023C	PS3601P	PS3541B53P
F6EVXBK019A	H2EVXBH0B9C	PS3601P	PS3541E49P



"F" Series	Suggested iSYS Replacement	Body Kit	Coil Kit
F6EVXBK023A	H2EVXBH023C	PS3601P	PS3541E53P
F6EVXLG019A	H2EVXXG0B9C	PS3601P	PS3541B49P
F6EVXPG019A	H2EVXXG0B9C	PS3601P	PS3541B49P
F6F17000XXA	H2FVXX00XXC	PS3601P	
F6F25000XXA	H2FVXX00XXC	PS3601P	
F6F57000XX166A	H2FVXX00XXC	PS3601P	
F6F57000XXA	H2FVXX00XXC	PS3601P	
F6FVX000XXA	H2FVXX00XXC	PS3601P	
<hr/>			
<b>F7</b> F7019000XX266A	H30VXL00XXC	PS3704P	
F7117BBC87A	H31VXBB057C	PS3701P	PS3541B57P
F7117BGC19166A	H31VXBG0B9C	PS3701P	PS3541B49P
F7117BGC19A	H31VXBG0B9C	PS3701P	PS3541B49P
F7117BGC23A	H31VXBG023C	PS3701P	PS3541B53P
F7117BGC23166A	H31VXBG023C	PS3701P	PS3541B53P
F7117BGC23A	H31VXBG023C	PS3701P	PS3541B53P
F7117BGC83A	H31VXBG023C	PS3701P	PS3541B53P
F7117BKC19A	H31VXBH0B9C	PS3701P	PS3541E49P
F7119BG9190G	H31VXBG0B90G	PS3701P	PS3541B49P
F7119BGA23A	H31VXBG023C	PS3701P	PS3541B53P
F7119BGC19A	H31VXBG0B9C	PS3701P	PS3541B49P
F7119BGC23A	H31VXBG023C	PS3701P	PS3541B53P
F7119BGC23466A	H31VXBG023C	PS3701P	PS3541B53P
F7119BGC23A	H31VXBG023C	PS3701P	PS3541B53P
F7119BK9194AAF	H31VXBH0B94AAF	PS3701P	PS3541E49P
F7119BK9234AAF	H31VXBH0234AAF	PS3701P	PS3541E53P
F7119BKC19A	H31VXBH0B9C	PS3701P	PS3541E49P
F7119LGC23A	H31VXXG023C	PS3701P	PS3541B53P
F7129BGC23A	H31VXBG023C	PS3701P	PS3541B53P
F7157BGC23A	H31VXBG023C	PS3701P	PS3541B53P
F7159BGB23166A	H31VXBG023C	PS3701P	PS3541B53P
F7159BGC19A	H31VXBG0B9C	PS3701P	PS3541B49P
F7159BGC23166A	H31VXBG023C	PS3701P	PS3541B53P
F7159BGC23A	H31VXBG023C	PS3701P	PS3541B53P
F7159BGJ19A	H31VXBG0B9C	PS3701P	PS3541B49P
F7159BGM19A	H31VXBG0B9C	PS3701P	PS3541B49P
F7159BKC23A	H31VXBH023C	PS3701P	PS3541E53P
F7159LGC19303A	H31VXXG0B9C	PS3701P	PS3541B49P
F7159LGC19A	H31VXXG0B9C	PS3701P	PS3541B49P
F7167BGC19466A	H31VXBG0B9C	PS3701P	PS3541B49P
F7167BGC23A	H31VXBG023C	PS3701P	PS3541B53P
F7167BGC23166A	H31VXBG023C	PS3701P	PS3541B53P
F7167BGC23466A	H31VXBG023C	PS3701P	PS3541B53P
F7169BG8190F	H31VXBG0B90F	PS3701P	PS3541B49P
F7169BG9190G	H31VXBG0B90G	PS3701P	PS3541B49P
F7169BGC23A	H31VXBG023C	PS3701P	PS3541B53P
F7169BKM191AAA	H31VXBH0B91AAA	PS3701P	PS3541E49P
F7169BKM194AAA	H31VXBH0B94AAA	PS3701P	PS3541E49P
F7169BKM19A	H31VXBH0B9C	PS3701P	PS3541E49P
F71VXBG015A	H31VXBB045C	PS3701P	PS3541B45P
F71VXBG019A	H31VXBG0B9C	PS3701P	PS3541B49P
F71VXBG023A	H31VXBG023C	PS3701P	PS3541B53P
F71VXBK019A	H31VXBH0B9C	PS3701P	PS3541E49P
F71VXBK023A	H31VXBH023C	PS3701P	PS3541E53P



"F" Series	Suggested isys Replacement	Body Kit	Coil Kit
F71VXCG023A	H31VXBG023C	PS3701P	PS3541B53P
F71VXLG019A	H31VXXG0B9C	PS3701P	PS3541B49P
F71VXLG023A	H31VXXG023C	PS3701P	PS3541B53P
F7217BGA23266A	H32VXBG023C	PS3701P	PS3541B53P
F7217BGA23A	H32VXBG023C	PS3701P	PS3541B53P
F7217BGC19A	H32VXBG0B9C	PS3701P	PS3541B49P
F7217BGC23A	H32VXBG023C	PS3701P	PS3541B53P
F7217BGC23A	H32VXBG023C	PS3701P	PS3541B53P
F7217BKC23A	H32VXBH023C	PS3701P	PS3541E53P
F7219BBC87A	H32VXBB057C	PS3701P	PS3541B57P
F7219BG8190C	H32VXBG0B90C	PS3701P	PS3541B49P
F7219BG983166G	H32VXBG023C	PS3701P	PS3541B53P
F7219BGA23A	H32VXBG023C	PS3701P	PS3541B53P
F7219BGC19A	H32VXBG0B9C	PS3701P	PS3541B49P
F7219BGC23266A	H32VXBG023C	PS3701P	PS3541B53P
F7219BGC23A	H32VXBG023C	PS3701P	PS3541B53P
F7219BKC23A	H32VXBH023C	PS3701P	PS3541E53P
F7257BGM19A	H32VXBG0B9C	PS3701P	PS3541B49P
F7257BKC23A	H32VXBH023C	PS3701P	PS3541E53P
F7259BGA23166A	H32VXBG023C	PS3701P	PS3541B53P
F7259BGA23A	H32VXBG023C	PS3701P	PS3541B53P
F7259BGC23A	H32VXBG023C	PS3701P	PS3541B53P
F7259BGM19A	H32VXBG0B9C	PS3701P	PS3541B49P
F7267BG9230G	H32VXBG0230G	PS3701P	PS3541B53P
F7269BG9230G	H32VXBG0230G	PS3701P	PS3541B53P
F7269BGC19A	H32VXBG0B9C	PS3701P	PS3541B49P
F7269BGC23A	H32VXBG023C	PS3701P	PS3541B53P
F72VXBG019A	H32VXBG0B9C	PS3701P	PS3541B49P
F72VXBG023A	H32VXBG023C	PS3701P	PS3541B53P
F72VXBK023A	H32VXBH023C	PS3701P	PS3541E53P
F72VXCG023A	H32VXBG023C	PS3701P	PS3541B53P
F73VX000XXA	H33VXX00XXC	PS3701P	
F7417000XXA	H34VXX00XXC	PS3701P	
F7419000XXA	H34VXX00XXC	PS3701P	
F7459000XXA	H34VXX00XXC	PS3701P	
F74VX000XXA	H34VXX00XXC	PS3701P	
F7517BGC19A	H35VXBG0B9C	PS3702P	PS3541B49P
F7517BGC23A	H35VXBG023C	PS3702P	PS3541B53P
F7517LGC19A	H35VXXG0B9C	PS3702P	PS3541B49P
F7518BGC19A	H35VXBG0B9C	PS3702P	PS3541B49P
F7519BG9190F	H35VXBG0B90F	PS3702P	PS3541B49P
F7519BG9190G	H35VXBG0B90G	PS3702P	PS3541B49P
F7519BGA23A	H35VXBG023C	PS3702P	PS3541B53P
F7519BGC19A	H35VXBG0B9C	PS3702P	PS3541B49P
F7519BGC23A	H35VXBG023C	PS3702P	PS3541B53P
F7527BGC19A	H35VXBG0B9C	PS3702P	PS3541B49P
F7557BGB23A	H35VXBG023C	PS3702P	PS3541B53P
F7557BGC19A	H35VXBG0B9C	PS3702P	PS3541B49P
F7557BGC19A	H35VXBG0B9C	PS3702P	PS3541B49P
F7557LGC23A	H35VXXG023C	PS3702P	PS3541B53P
F7559BG9230G	H35VXBG0230G	PS3702P	PS3541B53P
F7559BGC23A	H35VXBG023C	PS3702P	PS3541B53P
F7567BGC19A	H35VXBG0B9C	PS3702P	PS3541B49P
F7567BGC23A	H35VXBG023C	PS3702P	PS3541B53P
F7569BG8190F	H35VXBG0B90F	PS3702P	PS3541B49P



"F" Series	Suggested iSYS Replacement	Body Kit	Coil Kit
F7569BG9190G	H35VXBG0B90G	PS3702P	PS3541B49P
F7569BGC19466A	H35VXBG0B9C	PS3702P	PS3541B49P
F7569BGC23466A	H35VXBG023C	PS3702P	PS3541B53P
F7569BGC23A	H35VXBG023C	PS3702P	PS3541B53P
F7569BGM19A	H35VXBG0B9C	PS3702P	PS3541B49P
F7569BKM19A	H35VXBH0B9C	PS3702P	PS3541E49P
F75VXBG015A	H35VXBB045C	PS3702P	PS3541B45P
F75VXBG019A	H35VXBG0B9C	PS3702P	PS3541B49P
F75VXBG023A	H35VXBG023C	PS3702P	PS3541B53P
F75VXBK019A	H35VXBH0B9C	PS3702P	PS3541E49P
F75VXBK023A	H35VXBH023C	PS3702P	PS3541E53P
F7617BGC23A	H36VXBG023C	PS3703P	PS3541B53P
F7619BGC19A	H36VXBG0B9C	PS3703P	PS3541B49P
F7619BGC23A	H36VXBG023C	PS3703P	PS3541B53P
F7667BGC19A	H36VXBG0B9C	PS3703P	PS3541B49P
F76VXBG015A	H36VXBB045C	PS3703P	PS3541B45P
F76VXBG019A	H36VXBG0B9C	PS3703P	PS3541B49P
F76VXBG023A	H36VXBG023C	PS3703P	PS3541B53P
F77VXBG023A	H37VXBG023C	PS3704P	PS3541B53P
F77VXBK023A	H37VXBH023C	PS3704P	PS3541E53P
F77VXLG023A	H37VXXG023C	PS3704P	PS3541B53P
F7817000XXA	H38VXX00XXC	PS3702P	
F7819000XXA	H38VXX00XXC	PS3702P	
F7869000XXA	H38VXX00XXC	PS3702P	
F78VX000XXA	H38VXX00XXC	PS3702P	
F7919000XXA	H39VXX00XXC	PS3703P	
F79VX000XXA	H39VXX00XXC	PS3703P	
F7E17BGC19A	H3EVXBG0B9C	PS3701P	PS3541B49P
F7E17BGC23266A	H3EVXBG023C	PS3701P	PS3541B53P
F7E17BGC23A	H3EVXBG023C	PS3701P	PS3541B53P
F7E17BKC23A	H3EVXBH023C	PS3701P	PS3541E53P
F7E19BG9190G	H3EVXBG0B90G	PS3701P	PS3541B49P
F7E19BG919G	H3EVXBG0B90G	PS3701P	PS3541B49P
F7E19BGC23A	H3EVXBG023C	PS3701P	PS3541B53P
F7E19BKA23A	H3EVXBH023C	PS3701P	PS3541E53P
F7E19LGC19A	H3EVXXG0B9C	PS3701P	PS3541B49P
F7E27BGC19A	H3EVXBG0B9C	PS3701P	PS3541B49P
F7E57BGM19A	H3EVXBG0B9C	PS3701P	PS3541B49P
F7E59BGA23166A	H3EVXBG023C	PS3701P	PS3541B53P
F7E59BGC19166A	H3EVXBG0B9C	PS3701P	PS3541B49P
F7E59BGC19A	H3EVXBG0B9C	PS3701P	PS3541B49P
F7E59BGC23166A	H3EVXBG023C	PS3701P	PS3541B53P
F7E59BGJ19A	H3EVXBG0B9C	PS3701P	PS3541B49P
F7E59BGM19A	H3EVXBG0B9C	PS3701P	PS3541B49P
F7E67BGC23166A	H3EVXBG023C	PS3701P	PS3541B53P
F7E69BGC19166A	H3EVXBG0B9C	PS3701P	PS3541B49P
F7E69BGC23A	H3EVXBG023C	PS3701P	PS3541B53P
F7EVXBG012A	H3EVXBB042C	PS3701P	PS3541B42P
F7EVXBG019A	H3EVXBG0B9C	PS3701P	PS3541B49P
F7EVXBG023A	H3EVXBG023C	PS3701P	PS3541B53P
F7EVXBK023A	H3EVXBH023C	PS3701P	PS3541E53P
F7EVXPG023A	H3EVXXG023C	PS3701P	PS3541B53P
F7F17000XXA	H3FVXL00XXC	PS3701P	
F7F19000XXA	H3FVXL00XXC	PS3701P	
F7FVX000XXA	H3FVXL00XXC	PS3701P	





# “F” & “H” Series Cross-Reference Guide

“H” & “F” Series End Plates	isys Series End Plates
PS353100BP .....	PS403100CP † .....
PS353101BP .....	PS403101CP † .....
PS363100P .....	PS413100CP † .....
PS363101P .....	PS413101CP † .....
PS373100P .....	PS423100CP † .....
PS373101P .....	PS423101CP † .....

† End plates are not interchangeable between F5, H1 and isys 1.

“H1” & “F5” Series Collective Wiring Modules	isys 1 Series Collective Wiring Modules
SCD251MB, PS3520L00P .....	PS4020L20CP .....
SCD251MB, PS3520L10P .....	PS4020L21CP .....
SCD251MB, PS3520L01P .....	PS4020L20CP .....
SCD251MB, PS3520L11P .....	PS4020L21CP .....
SCC191MB, PS3520L00P .....	PS4020L30CP .....
SCC191MB, PS3520L10P .....	PS4020L31CP .....
SCC191MB, PS3520L01P .....	PS4020L30CP .....
SCC191MB, PS3520L11P .....	PS4020L31CP .....

“F” & “H” Series Kits	Suggested Replacement
PS341111AP .....	HA subbase and HA valve .....
PS341111CP .....	HA subbase and HA valve .....
PS341111TP .....	HA subbase and HA valve .....
PS3411110P .....	HA subbase and HA valve .....
PS341112AP .....	HA subbase and HA valve .....
PS341112BP .....	HA subbase and HA valve .....
PS341112CP .....	HA subbase and HA valve .....
PS341112TP .....	HA subbase and HA valve .....
PS3411120P .....	HA subbase and HA valve .....
PS3411127CP .....	HA subbase and HA valve .....
PS3411129GP .....	HA subbase and HA valve .....
PS341113CP .....	HA subbase and HA valve .....
PS341113TP .....	HA subbase and HA valve .....
PS341114CP .....	HA subbase and HA valve .....
PS341114TP .....	HA subbase and HA valve .....
PS341121AP .....	HA subbase and HA valve .....
PS341121TP .....	HA subbase and HA valve .....
PS341122AP .....	HA subbase and HA valve .....
PS341122CP .....	HA subbase and HA valve .....
PS341123TP .....	HA subbase and HA valve .....
PS341131AP .....	HA subbase and HA valve .....
PS341131CP .....	HA subbase and HA valve .....
PS341132CP .....	HA subbase and HA valve .....
PS341141AP .....	HA subbase and HA valve .....
PS341142AP .....	HA subbase and HA valve .....
PS341142CP .....	HA subbase and HA valve .....
PS341151ABP .....	HA manifold assembly and valves .....
PS341151BBP .....	HA manifold assembly and valves .....
PS341151CBP .....	HA manifold assembly and valves .....
PS341151JBP .....	HA manifold assembly and valves .....
PS341151MBP .....	HA manifold assembly and valves .....
PS341152ABP .....	HA manifold assembly and valves .....
PS341152BBP .....	HA manifold assembly and valves .....
PS341152CBP .....	HA manifold assembly and valves .....
PS341152JBP .....	HA manifold assembly and valves .....
PS341152MBP .....	HA manifold assembly and valves .....
PS341152TBP .....	HA manifold assembly and valves .....
PS3411520BP .....	HA manifold assembly and valves .....
PS3411527BP .....	HA manifold assembly and valves .....
PS3411528GBP .....	HA manifold assembly and valves .....
PS3411529FBP .....	HA manifold assembly and valves .....
PS3411529GBP .....	HA manifold assembly and valves .....
PS341154CBP .....	HA manifold assembly and valves .....
PS341161ABP .....	HA manifold assembly and valves .....
PS341161CBP .....	HA manifold assembly and valves .....
PS341161MBP .....	HA manifold assembly and valves .....
PS3411610BP .....	HA manifold assembly and valves .....
PS3411619GBP .....	HA manifold assembly and valves .....
PS341162ABP .....	HA manifold assembly and valves .....
PS341162BBP .....	HA manifold assembly and valves .....
PS341162CBP .....	HA manifold assembly and valves .....
PS341162JBP .....	HA manifold assembly and valves .....
PS341162MBP .....	HA manifold assembly and valves .....
PS341162TBP .....	HA manifold assembly and valves .....
PS3411620BP .....	HA manifold assembly and valves .....



“F” & “H” Series Kits	Suggested Replacement	“F” & “H” Series Kits	Suggested Replacement
PS3411629GBP	HA manifold assembly and valves	PS351114AP	H1 subbase and H1 valve
PS341163ABP	HA manifold assembly and valves	PS351114CP	H1 subbase and H1 valve
PS341163CBP	HA manifold assembly and valves	PS351114TP	H1 subbase and H1 valve
PS341164CBP	HA manifold assembly and valves	PS351115AP	H1 subbase and H1 valve
PS341164MBP	HA manifold assembly and valves	PS351115BP	H1 subbase and H1 valve
PS341182ABP	HA manifold assembly and valves	PS351115CP	H1 subbase and H1 valve
PS341182BBP	HA manifold assembly and valves	PS351115TP	H1 subbase and H1 valve
PS341182CBP	HA manifold assembly and valves	PS3511150P	H1 subbase and H1 valve
PS3420L00P	HA manifold assembly and valves	PS3511157FP	H1 subbase and H1 valve
PS3420L10P	HA manifold assembly and valves	PS3511158GP	H1 subbase and H1 valve
PS3420L11P	HA manifold assembly and valves	PS3511159CP	H1 subbase and H1 valve
PS34381LLP	PS3439P	PS3511159FP	H1 subbase and H1 valve
PS34381MMP	PS3439P	PS3511159GP	H1 subbase and H1 valve
PS3438111P	PS3439P, PS3450030P	PS351116CP	H1 subbase and H1 valve
PS3438122P	PS3439P, PS3450060P	PS3511160P	H1 subbase and H1 valve
PS3438133P	PS3439P, PS3450125P	PS3511168FP	H1 subbase and H1 valve
PS3438144P	PS3439P, PS3450030P	PS351123AP	H1 subbase and H1 valve
PS3438155P	PS3439P, PS3450060P	PS351123CP	H1 subbase and H1 valve
PS3438166P	PS3439P, PS3450125P	PS351123TP	H1 subbase and H1 valve
PS3438199P	PS3439P, PS3450125P	PS351124TP	H1 subbase and H1 valve
PS34382DGP	PS3439P	PS351125AP	H1 subbase and H1 valve
PS34382L0P	PS3439P	PS351125BP	H1 subbase and H1 valve
PS34382M0P	PS3439P	PS351125CP	H1 subbase and H1 valve
PS343820KP	PS3439P	PS351125TP	H1 subbase and H1 valve
PS3438203P	PS3439P	PS3511250P	H1 subbase and H1 valve
PS3438205P	PS3439P	PS3511258FP	H1 subbase and H1 valve
PS3438206P	PS3439P	PS351163ABP	H1 manifold assembly and valves
PS3438211P	PS3439P, PS3450030P	PS351163BBP	H1 manifold assembly and valves
PS3438220P	PS3439P, PS3450060P	PS351163CBP	H1 manifold assembly and valves
PS3438222P	PS3439P, PS3450060P	PS351163JBP	H1 manifold assembly and valves
PS3438230P	PS3439P, PS3450125P	PS351163MBP	H1 manifold assembly and valves
PS3438233P	PS3439P, PS3450125P	PS351163TBP	H1 manifold assembly and valves
PS3438240P	PS3439P, PS3450030P	PS3511630BP	H1 manifold assembly and valves
PS3438246P	PS3439P, PS3450030P	PS3511638FBP	H1 manifold assembly and valves
PS3438250P	PS3439P, PS3450060P	PS3511639GBP	H1 manifold assembly and valves
PS3438255P	PS3439P, PS3450060P	PS351164ABP	H1 manifold assembly and valves
PS3438256P	PS3439P, PS3450060P	PS351164CBP	H1 manifold assembly and valves
PS3438260P	PS3439P, PS3450125P	PS351164MBP	H1 manifold assembly and valves
PS3438266P	PS3439P, PS3450125P	PS351164TBP	H1 manifold assembly and valves
PS3438286P	PS3439P, PS3450060P	PS3511640BP	H1 manifold assembly and valves
PS34383DDP	PS3439P	PS351165ABP	H1 manifold assembly and valves
PS3438306P	PS3439P	PS351165BBP	H1 manifold assembly and valves
PS3438346P	PS3439P, PS3450030P	PS351165CBP	H1 manifold assembly and valves
PS3438350P	PS3439P, PS3450060P	PS351165JBP	H1 manifold assembly and valves
PS3438360P	PS3439P, PS3450125P	PS351165MBP	H1 manifold assembly and valves
PS3438366P	PS3439P, PS3450125P	PS351165TBP	H1 manifold assembly and valves
PS3438388P	PS3439P, PS3450060P	PS3511650BP	H1 manifold assembly and valves
PS3438466P	PS3439P, PS3450125P	PS3511657FBP	H1 manifold assembly and valves
PS351113AP	H1 subbase and H1 valve	PS3511657GBP	H1 manifold assembly and valves
PS351113BP	H1 subbase and H1 valve	PS3511658FBP	H1 manifold assembly and valves
PS351113CP	H1 subbase and H1 valve	PS3511658GBP	H1 manifold assembly and valves
PS351113TP	H1 subbase and H1 valve	PS3511659CBP	H1 manifold assembly and valves
PS3511130P	H1 subbase and H1 valve	PS3511659FBP	H1 manifold assembly and valves
PS3511138FP	H1 subbase and H1 valve	PS3511659GBP	H1 manifold assembly and valves
PS3511139GP	H1 subbase and H1 valve	PS351166ABP	H1 manifold assembly and valves



<b>"F" &amp; "H" Series Kits</b>	<b>Suggested Replacement</b>	<b>"F" &amp; "H" Series Kits</b>	<b>Suggested Replacement</b>
PS351166BBP .....	H1 manifold assembly and valves .....	PS353830AP .....	PS3439P .....
PS351166CBP .....	H1 manifold assembly and valves .....	PS3538306P .....	PS3439P .....
PS351166MBP .....	H1 manifold assembly and valves .....	PS3538340P .....	PS3439, PS3450030P .....
PS351166TBP .....	H1 manifold assembly and valves .....	PS3538360P .....	PS3439, PS3450125P .....
PS3511660BP .....	H1 manifold assembly and valves .....	PS3538366P .....	PS3439, PS3450125P .....
PS351183CBP .....	H1 manifold assembly and valves .....	PS361115AP .....	H2 subbase and H2 valve .....
PS351185ABP .....	H1 manifold assembly and valves .....	PS361115BP .....	H2 subbase and H2 valve .....
PS351185BBP .....	H1 manifold assembly and valves .....	PS361115CP .....	H2 subbase and H2 valve .....
PS351185CBP .....	H1 manifold assembly and valves .....	PS3611150P .....	H2 subbase and H2 valve .....
PS351185MBP .....	H1 manifold assembly and valves .....	PS3611159FP .....	H2 subbase and H2 valve .....
PS3527L00P .....	HA manifold assembly and valves .....	PS361116CP .....	H2 subbase and H2 valve .....
PS3527L10P .....	HA manifold assembly and valves .....	PS361117AP .....	H2 subbase and H2 valve .....
PS353100BP .....	PS4031010CP .....	PS361117BP .....	H2 subbase and H2 valve .....
PS353101BP .....	PS4031011CP .....	PS361117CP .....	H2 subbase and H2 valve .....
PS363100P .....	PS4131010CP .....	PS3611170P .....	H2 subbase and H2 valve .....
PS363101P .....	PS4131011CP .....	PS3611177FP .....	H2 subbase and H2 valve .....
PS373100P .....	PS4231010CP .....	PS3611178FP .....	H2 subbase and H2 valve .....
PS373101P .....	PS4231011CP .....	PS3611179FP .....	H2 subbase and H2 valve .....
PS35381AAP .....	PS3439P .....	PS361118CP .....	H2 subbase and H2 valve .....
PS35381CCP .....	PS3439P .....	PS361125CP .....	H2 subbase and H2 valve .....
PS35381DDP .....	PS3439P .....	PS361127AP .....	H2 subbase and H2 valve .....
PS35381KKP .....	PS3439P, PS3450030P .....	PS361127CP .....	H2 subbase and H2 valve .....
PS35381MMP .....	PS3439P, PS3450125P .....	PS3611278FP .....	H2 subbase and H2 valve .....
PS3538111P .....	PS3439P, PS3450030P .....	PS361128CP .....	H2 subbase and H2 valve .....
PS3538133P .....	PS3439P, PS3450125P .....	PS361155AP .....	H2 manifold assembly and valves .....
PS3538144P .....	PS3439, PS3450030P .....	PS361155CP .....	H2 manifold assembly and valves .....
PS3538155P .....	PS3439P, PS3450060P .....	PS361155MP .....	H2 manifold assembly and valves .....
PS3538166P .....	PS3439, PS3450125P .....	PS361157AP .....	H2 manifold assembly and valves .....
PS3538177P .....	PS3439P, PS34350030P .....	PS361157BP .....	H2 manifold assembly and valves .....
PS3538188P .....	PS3439P, PS3450060P .....	PS361157CP .....	H2 manifold assembly and valves .....
PS35382L0P .....	PS3439P, PS3450060P .....	PS361157JP .....	H2 manifold assembly and valves .....
PS35382MMP .....	PS3439P, PS3450125P .....	PS361157MP .....	H2 manifold assembly and valves .....
PS35382M0P .....	PS3439P, PS3450125P .....	PS3611570P .....	H2 manifold assembly and valves .....
PS353820LP .....	PS3439P .....	PS3611579FP .....	H2 manifold assembly and valves .....
PS353820MP .....	PS3439P .....	PS3611579GP .....	H2 manifold assembly and valves .....
PS3538205P .....	PS3439P .....	PS361165AP .....	H2 manifold assembly and valves .....
PS3538206P .....	PS3439P .....	PS361165CP .....	H2 manifold assembly and valves .....
PS3538210P .....	PS3439P, PS3450030P .....	PS361165JP .....	H2 manifold assembly and valves .....
PS3538211P .....	PS3439P, PS3450030P .....	PS361165MP .....	H2 manifold assembly and valves .....
PS3538212P .....	PS3439P, PS3450030P .....	PS3611650P .....	H2 manifold assembly and valves .....
PS3538226P .....	PS3439P, PS3450060P .....	PS361166CP .....	H2 manifold assembly and valves .....
PS3538230P .....	PS3439P, PS3450125P .....	PS3611668FP .....	H2 manifold assembly and valves .....
PS3538232P .....	PS3439P, PS3450125P .....	PS361167AP .....	H2 manifold assembly and valves .....
PS3538233P .....	PS3439P, PS3450125P .....	PS361167BP .....	H2 manifold assembly and valves .....
PS3538240P .....	PS3439, PS3450030P .....	PS361167CP .....	H2 manifold assembly and valves .....
PS3538244P .....	PS3439, PS3450030P .....	PS361167JP .....	H2 manifold assembly and valves .....
PS3538250P .....	PS3439P, PS3450060P .....	PS361167MP .....	H2 manifold assembly and valves .....
PS3538255P .....	PS3439P, PS3450060P .....	PS3611670P .....	H2 manifold assembly and valves .....
PS3538256P .....	PS3439P, PS3450060P .....	PS3611678FP .....	H2 manifold assembly and valves .....
PS3538260P .....	PS3439, PS3450125P .....	PS3611679FP .....	H2 manifold assembly and valves .....
PS3538266P .....	PS3439, PS3450125P .....	PS36381AAP .....	PS34639P .....
PS3538277P .....	PS3439P, PS34350030P .....	PS3638122P .....	PS3639P, PS3450060P .....
PS3538286P .....	PS3439P, PS3450060P .....	PS3638144P .....	PS3639P, PS3450030P .....
PS3538288P .....	PS3439P, PS3450060P .....	PS3638155P .....	PS3439P, PS3450060P .....
PS35383MKP .....	PS3439P, PS3450125P .....	PS3638166P .....	PS3639P, PS3450125P .....



"F" & "H" Series Kits	Suggested Replacement	"F" & "H" Series Kits	Suggested Replacement
PS3638188P	PS3639P, PS3450060P	PS3520L00P	None
PS3638199P	PS3639P, PS3450125P	PS3520L01P	None
PS36382A0P	PS34639P	PS3520L10P	PS4020L00CP
PS3638206P	PS3639P	PS3520L11P	PS4020L01CP
PS3638208P	PS3639P	PS3620L00P	None
PS3638244P	PS3639P, PS3450030P	PS3620L01P	None
PS3638260P	PS3639P, PS3450125P	PS3620L10P	PS4120L10CP
PS3638266P	PS3639P, PS3450125P	PS3620L10P	PS4120L10CP
PS3638360P	PS3639P, PS3450125P	PS3720L00P	None
PS371110AP	H3 subbase and H3 valve	PS3720L01P	None
PS371110CP	H3 subbase and H3 valve	PS3720L10P	PS4220L10CP
PS371117AP	H3 subbase and H3 valve	PS3720L11P	PS4220L11CP
PS371117CP	H3 subbase and H3 valve	PS3527L##P	HA manifold assembly and valves
PS3711170P	H3 subbase and H3 valve	PS3626L##P	PS4126L##CP
PS3711178FP	H3 subbase and H3 valve	PS3627L00P	None
PS371118CP	H3 subbase and H3 valve	PS3627L01P	None
PS371119AP	H3 subbase and H3 valve	PS3627L10P	PS4127L10CP
PS371119CP	H3 subbase and H3 valve	PS3726L00P	None
PS3711190P	H3 subbase and H3 valve	PS3726L01P	None
PS3711198CP	H3 subbase and H3 valve	PS3726L10P	PS4126L10CP
PS3711198FP	H3 subbase and H3 valve	PS3727L00P	None
PS3711198GP	H3 subbase and H3 valve	PS3727L01P	None
PS3711199FP	H3 subbase and H3 valve	PS3727L10P	PS4127L10CP
PS3711199GP	H3 subbase and H3 valve	PS3532P	PS4032P
PS371127CP	H3 subbase and H3 valve	PS3632P	PS4132P
PS371129AP	H3 subbase and H3 valve	PS3732P	PS4232P
PS371129CP	H3 subbase and H3 valve	PS352800BP	PS4011###P with #1 bottom port
PS371157CP	H3 manifold assembly and valves	PS352810BP	PS4011###P with #1 bottom port
PS371157MP	H3 manifold assembly and valves	PS352801BP	PS4011###P with #1 bottom port
PS371159AP	H3 manifold assembly and valves	PS352811BP	PS4011###P with #1 bottom port
PS371159CP	H3 manifold assembly and valves	PS3527000P	HA manifold assembly and valves
PS371159JP	H3 manifold assembly and valves	PS3626000P	PS4126000CP
PS371159MP	H3 manifold assembly and valves	PS3627L11P	PS4127L11CP
PS3711590P	H3 manifold assembly and valves	PS3627000P	PS4127000P
PS371160CP	H3 manifold assembly and valves	PS3726L11P	PS4126L11CP
PS371167AP	H3 manifold assembly and valves	PS3726000P	PS4126000CP
PS371167CP	H3 manifold assembly and valves	PS3727L11P	PS4127L11CP
PS371167MP	H3 manifold assembly and valves	PS3727000P	PS3727000P
PS3711679GP	H3 manifold assembly and valves	PS3434P	None
PS371169AP	H3 manifold assembly and valves	PS3432P	None
PS371169CP	H3 manifold assembly and valves	PS3532P	PS4032P
PS371169JP	H3 manifold assembly and valves	PS3632P	PS4132P
PS371169MP	H3 manifold assembly and valves	PS3732P	PS4232P
PS3711698CP	H3 manifold assembly and valves	PS3433P	None
PS3711698FP	H3 manifold assembly and valves	PS353300BP	None
PS3711699GP	H3 manifold assembly and valves	PS353301BP	None
PS37381AAP	PS3639P	PS353302BP	None
PS3738133P	PS3639P, PS3450125P	PS35150#P	PS40150#P
PS3738144P	PS3639P, PS3450030P	PS36150#P	PS41150#P
PS3738166P	PS3639P, PS3450125P	PS37150#P	PS42150#P
PS3738206P	PS3639P	PS3435P	HA manifold assembly and valves with flow control
PS3738260P	PS3639P, PS3450125P	PS3535P	PS4035P
PS3738266P	PS3639P, PS3450125P	PS3635P	PS4135P
PS3738303P	PS3639P	PS3735P	PS4235P
PS3738360P	PS3639P, PS3450125P		



“F” & “H” Series Kits	Suggested Replacement	“F” & “H” Series Kits	Suggested Replacement
PS3509P .....	PS4009P .....	PS3447P .....	PS4147BP .....
PS3609P .....	PS4109P .....	PS3647P .....	PS4147BP .....
PS3412BP .....	None .....	PS3448P .....	PS4048BP .....
PS3512BP .....	None .....	PS3548P .....	PS4048BP .....
PS3612P .....	PS4112P .....	PS3648P .....	PS4148BP .....
PS3413BP .....	None .....	PS3439P .....	PS4049BP .....
PS3513BP .....	None .....	PS3639P .....	PS4149BP .....
PS3613BP .....	PS4113BP .....	PS3451060P .....	PS4051060BP .....
PS3713BP .....	PS4213BP .....	PS3451160P .....	PS4051606BP .....
PS3436P .....	None .....	PS3453060P .....	PS4053060BP .....
PS3440P .....	None .....	PS3453160P .....	PS4053160BP .....
PS3536P .....	PS4036P .....	PS3452160P .....	PS4052160BP .....
PS3540P .....	PS4040BP .....	PS3633P .....	PS4133P .....
PS3636P .....	PS4136P .....	PS3631L00P .....	PS4131010CP .....
PS3640P .....	PS4140BP .....	PS3631L01P .....	PS4131L01CP .....
PS3736P .....	PS4236P .....	PS3620L10P .....	PS4120L10CP .....
PS3740P .....	PS4240BP .....	PS3620L11P .....	PS4120L11CP .....
PS3450030P .....	PS4050030BP .....	PS3731L00P .....	PS4231010CP .....
PS3450060P .....	PS4050060BP .....	PS3731L01P .....	PS4231L01CP .....
PS3450125P .....	PS4050125BP .....	PS3720L10P .....	PS4220L10CP .....
PS04427 .....	PS4150030BP .....	PS3720L11P .....	PS4220L11CP .....
PS04426 .....	PS4150060BP .....	PS3627001P .....	PS4127001P .....
PS04425 .....	PS4150125BP .....	PS3726001P .....	PS4126001CP .....
PS3553030P .....	PS4053030BP .....	PS3727001P .....	PS3727001P .....
PS3553060P .....	PS4053060BP .....		
PS3553160P .....	PS4053160BP .....		
PS3452160P .....	PS3452160BP .....		
PS3445P .....	PS4145P .....		
PS3645P .....	PS4145P .....		
PS3446P .....	None .....		



“H” Series Kits	isys Kits
PS4032P .....	PS4032P .....
PS4132P .....	PS4132CP .....
PS4232P .....	PS4232CP .....
PS4037266P .....	PS4037266CP .....
PS4037306P .....	PS4037306CP .....
PS4037360P .....	PS4037360CP .....
PS4037366P .....	PS4037366CP .....
PS4034P .....	PS4034CP .....
PS411500P .....	PS411500CP .....
PS4037240P .....	PS4037240CP .....
PS40371MMP .....	PS40371MMCP .....
PS4037111P .....	PS4037111CP .....
PS4037122P .....	PS4037122CP .....
PS4037133P .....	PS4037133CP .....
PS4037144P .....	PS4037144CP .....
PS4037155P .....	PS4037155CP .....
PS4037166P .....	PS4037166CP .....
PS4037177P .....	PS4037177CP .....
PS4037188P .....	PS4037188CP .....
PS4037199P .....	PS4037199CP .....
PS4037205P .....	PS4037205CP .....
PS4037206P .....	PS4037206CP .....
PS4037208P .....	PS4037208CP .....
PS4037220P .....	PS4037220CP .....
PS4037233P .....	PS4037233CP .....
PS4037244P .....	PS4037244CP .....
PS4037250P .....	PS4037250CP .....
PS4037255P .....	PS4037255CP .....
PS4037256P .....	PS4037256CP .....
PS4037260P .....	PS4037260CP .....
PS4037277P .....	PS4037277CP .....
PS4037287P .....	PS4037287CP .....
PS4037288P .....	PS4037288CP .....
PS4037290P .....	PS4037290CP .....
PS4037299P .....	PS4037299CP .....
PS40381CCP .....	PS40381CCCP .....
PS40381MMP .....	PS40381MMCP .....
PS4038122P .....	PS4038122CP .....
PS4038133P .....	PS4038133CP .....
PS4038144P .....	PS4038144CP .....
PS4038155P .....	PS4038155CP .....
PS4038166P .....	PS4038166CP .....
PS4038177P .....	PS4038177CP .....
PS4038188P .....	PS4038188CP .....
PS4038199P .....	PS4038199CP .....
PS40382MMP .....	PS40382MMCP .....
PS4038205P .....	PS4038205CP .....
PS4038206P .....	PS4038206CP .....
PS4038208P .....	PS4038208CP .....
PS4038209P .....	PS4038209CP .....
PS4038222P .....	PS4038222CP .....
PS4038233P .....	PS4038233CP .....
PS4038240P .....	PS4038240CP .....
PS4038244P .....	PS4038244CP .....
PS4038250P .....	PS4038250CP .....

“H” Series Kits	isys Kits
PS4038255P .....	PS4038255CP .....
PS4038260P .....	PS4038260CP .....
PS4038265P .....	PS4038265CP .....
PS4038266P .....	PS4038266CP .....
PS4038277P .....	PS4038277CP .....
PS4038280P .....	PS4038280CP .....
PS4038288P .....	PS4038288CP .....
PS4038290P .....	PS4038290CP .....
PS4038299P .....	PS4038299CP .....
PS4038340P .....	PS4038340CP .....
PS401113AP .....	PS401113ACP .....
PS401113BP .....	PS401113BCP .....
PS401113CP .....	PS401113CCP .....
PS4011130P .....	PS4011130CP .....
PS4011138CP .....	PS4011138CCP .....
PS4011138FP .....	PS4011138FCP .....
PS4011139CP .....	PS4011139CCP .....
PS4011139GP .....	PS4011139GCP .....
PS401114AP .....	PS401114ACP .....
PS401114BP .....	PS401114BCP .....
PS401114CP .....	PS401114CCP .....
PS4011140P .....	PS4011140CP .....
PS4011148CP .....	PS4011148CCP .....
PS4011148FP .....	PS4011148FCP .....
PS401115AP .....	PS401115ACP .....
PS401115BP .....	PS401115BCP .....
PS401115CP .....	PS401115CCP .....
PS4011150P .....	PS4011150CP .....
PS4011158CP .....	PS4011158CCP .....
PS4011158FP .....	PS4011158FCP .....
PS4011159CP .....	PS4011159CCP .....
PS4011159GP .....	PS4011159GCP .....
PS401116AP .....	PS401116ACP .....
PS401116BP .....	PS401116BCP .....
PS401116CP .....	PS401116CCP .....
PS4011160P .....	PS4011160CP .....
PS4011168CP .....	PS4011168CCP .....
PS4011168FP .....	PS4011168FCP .....
PS4011169CP .....	PS4011169CCP .....
PS401123AP .....	PS401123ACP .....
PS401123BP .....	PS401123BCP .....
PS401123CP .....	PS401123CCP .....
PS4011230P .....	PS4011230CP .....
PS4011238FP .....	PS4011238FCP .....
PS401124AP .....	PS401124ACP .....
PS401124BP .....	PS401124BCP .....
PS401124CP .....	PS401124CCP .....
PS4011240P .....	PS4011240CP .....
PS4011248FP .....	PS4011248FCP .....
PS401125AP .....	PS401125ACP .....
PS401125BP .....	PS401125BCP .....
PS401125CP .....	PS401125CCP .....
PS4011250P .....	PS4011250CP .....
PS4011258FP .....	PS4011258FCP .....
PS4011258GP .....	PS4011258GCP .....



“H” Series Kits		isys Kits	
PS401163AP	PS401163ACP	PS401163BP	PS401163BCP
PS401163BP	PS401163BCP	PS401163CP	PS401163CCP
PS401163CP	PS401163CCP	PS401163MP	PS401163MCP
PS401163MP	PS401163MCP	PS401163WP	PS401163WCP
PS401163WP	PS401163WCP		
PS4011630P	PS4011630CP	PS4011637CP	PS4011637CCP
PS4011637CP	PS4011637CCP	PS4011637FP	PS4011637FCP
PS4011637FP	PS4011637FCP	PS4011638FP	PS4011638FCP
PS4011638FP	PS4011638FCP	PS4011639GP	PS4011639GCP
PS4011639GP	PS4011639GCP		
PS401164AP	PS401164ACP	PS401164BP	PS401164BCP
PS401164BP	PS401164BCP	PS401164CP	PS401164CCP
PS401164CP	PS401164CCP	PS401164MP	PS401164MCP
PS401164MP	PS401164MCP	PS4011640P	PS4011640CP
PS4011640P	PS4011640CP		
PS4011648CP	PS4011648CCP	PS4011648FP	PS4011648FCP
PS4011648FP	PS4011648FCP	PS4011648GP	PS4011648GCP
PS4011648GP	PS4011648GCP	PS401165AP	PS401165ACP
PS401165AP	PS401165ACP	PS401165BP	PS401165BCP
PS401165BP	PS401165BCP		
PS401165CP	PS401165CCP	PS401165JP	PS401165JCP
PS401165JP	PS401165JCP	PS401165MP	PS401165MCP
PS401165MP	PS401165MCP	PS401165WP	PS401165WCP
PS401165WP	PS401165WCP	PS4011650P	PS4011650CP
PS4011650P	PS4011650CP		
PS4011657FP	PS4011657FCP	PS4011658CP	PS4011658CCP
PS4011658CP	PS4011658CCP	PS4011658FP	PS4011658FCP
PS4011658FP	PS4011658FCP	PS4011658GP	PS4011658GCP
PS4011658GP	PS4011658GCP	PS4011659CP	PS4011659CCP
PS4011659CP	PS4011659CCP		
PS4011659FP	PS4011659FCP	PS4011659GP	PS4011659GCP
PS4011659GP	PS4011659GCP	PS401166AP	PS401166ACP
PS401166AP	PS401166ACP	PS401166BP	PS401166BCP
PS401166BP	PS401166BCP	PS401166CP	PS401166CCP
PS401166CP	PS401166CCP		
PS401166MP	PS401166MCP	PS4011660P	PS4011660CP
PS4011660P	PS4011660CP	PS4011668CP	PS4011668CCP
PS4011668CP	PS4011668CCP	PS4011668FP	PS4011668FCP
PS4011668FP	PS4011668FCP	PS4011668GP	PS4011668GCP
PS4011668GP	PS4011668GCP		
PS4011669CP	PS4011669CCP	PS4011840P	PS4011840CP
PS4011840P	PS4011840CP	PS401500P	PS401500CP
PS401500P	PS401500CP	PS401501P	PS401501CP
PS401501P	PS401501CP	PS4035P	PS4035CP
PS4035P	PS4035CP		
PS4137155P	PS4137155CP	PS4137166P	PS4137166CP
PS4137166P	PS4137166CP	PS4137188P	PS4137188CP
PS4137188P	PS4137188CP	PS4137199P	PS4137199CP
PS4137199P	PS4137199CP	PS413720DP	PS413720DCP
PS413720DP	PS413720DCP		
PS4137205P	PS4137205CP	PS4137206P	PS4137206CP
PS4137206P	PS4137206CP	PS4137209P	PS4137209CP
PS4137209P	PS4137209CP	PS4137222P	PS4137222CP
PS4137222P	PS4137222CP	PS4137233P	PS4137233CP
PS4137233P	PS4137233CP		

“H” Series Kits		isys Kits	
PS4137250P	PS4137250CP	PS4137260P	PS4137260CP
PS4137260P	PS4137260CP	PS4137264P	PS4137264CP
PS4137264P	PS4137264CP	PS4137266P	PS4137266CP
PS4137266P	PS4137266CP	PS4137288P	PS4137288CP
PS4137288P	PS4137288CP		
PS4137290P	PS4137290CP	PS4137299P	PS4137299CP
PS4137299P	PS4137299CP	PS4138133P	PS4138133CP
PS4138133P	PS4138133CP	PS4138155P	PS4138155CP
PS4138155P	PS4138155CP	PS4138166P	PS4138166CP
PS4138166P	PS4138166CP		
PS4138188P	PS4138188CP	PS4138206P	PS4138206CP
PS4138206P	PS4138206CP	PS4138244P	PS4138244CP
PS4138244P	PS4138244CP	PS4138250P	PS4138250CP
PS4138250P	PS4138250CP	PS4138260P	PS4138260CP
PS4138260P	PS4138260CP		
PS4138266P	PS4138266CP	PS4138288P	PS4138288CP
PS4138288P	PS4138288CP	PS4138297P	PS4138297CP
PS4138297P	PS4138297CP	PS4138360P	PS4138360CP
PS4138360P	PS4138360CP	PS411158CP	PS411158CCP
PS411158CP	PS411158CCP		
PS411115AP	PS411115ACP	PS411115BP	PS411115BCP
PS411115BP	PS411115BCP	PS411115CP	PS411115CCP
PS411115CP	PS411115CCP	PS4111150P	PS4111150CP
PS4111150P	PS4111150CP	PS4111157CP	PS4111157CCP
PS4111157CP	PS4111157CCP		
PS4111158CP	PS4111158CCP	PS4111158FP	PS4111158FCP
PS4111158FP	PS4111158FCP	PS4111158GP	PS4111158GCP
PS4111158GP	PS4111158GCP	PS4111159CP	PS4111159CCP
PS4111159CP	PS4111159CCP	PS411116AP	PS411116ACP
PS411116AP	PS411116ACP		
PS411116BP	PS411116BCP	PS411116CP	PS411116CCP
PS411116CP	PS411116CCP	PS4111160P	PS4111160CP
PS4111160P	PS4111160CP	PS4111168CP	PS4111168CCP
PS4111168CP	PS4111168CCP	PS4111168FP	PS4111168FCP
PS4111168FP	PS4111168FCP		
PS411117AP	PS411117ACP	PS411117BP	PS411117BCP
PS411117BP	PS411117BCP	PS411117CP	PS411117CCP
PS411117CP	PS411117CCP	PS4111170P	PS4111170CP
PS4111170P	PS4111170CP	PS4111177GP	PS4111177GCP
PS4111177GP	PS4111177GCP		
PS4111178CP	PS4111178CCP	PS4111178FP	PS4111178FCP
PS4111178FP	PS4111178FCP	PS4111179FP	PS4111179FCP
PS4111179FP	PS4111179FCP	PS4111179GP	PS4111179GCP
PS4111179GP	PS4111179GCP	PS411118AP	PS411118ACP
PS411118AP	PS411118ACP		
PS411118BP	PS411118BCP	PS411118CP	PS411118CCP
PS411118CP	PS411118CCP	PS4111180P	PS4111180CP
PS4111180P	PS4111180CP	PS4111188CP	PS4111188CCP
PS4111188CP	PS4111188CCP	PS4111188FP	PS4111188FCP
PS4111188FP	PS4111188FCP		
PS411125AP	PS411125ACP	PS411125BP	PS411125BCP
PS411125BP	PS411125BCP	PS411125CP	PS411125CCP
PS411125CP	PS411125CCP	PS4111250P	PS4111250CP
PS4111250P	PS4111250CP	PS4111258FP	PS4111258FCP
PS4111258FP	PS4111258FCP		



“H” Series Kits	isys Kits
PS411126AP	PS411126ACP
PS411126BP	PS411126BCP
PS4111260P	PS4111260CP
PS4111268FP	PS4111268FCP
PS411127AP	PS411127ACP
PS411127BP	PS411127BCP
PS411127CP	PS411127CCP
PS4111270P	PS4111270CP
PS4111278FP	PS4111278FCP
PS411128AP	PS411128ACP
PS411128BP	PS411128BCP
PS4111280P	PS4111280CP
PS4111288FP	PS4111288FCP
PS4111288GP	PS4111288GCP
PS411155AP	PS411155ACP
PS411155BP	PS411155BCP
PS411155CP	PS411155CCP
PS411155MP	PS411155MCP
PS411155TP	PS411155TCP
PS4111550P	PS4111550CP
PS4111557CP	PS4111557CCP
PS4111558CP	PS4111558CCP
PS4111558FP	PS4111558FCP
PS4111559CP	PS4111559CCP
PS411156AP	PS411156ACP
PS411156BP	PS411156BCP
PS411156CP	PS411156CCP
PS4111560P	PS4111560CP
PS4111568CP	PS4111568CCP
PS4111568FP	PS4111568FCP
PS411157AP	PS411157ACP
PS411157BP	PS411157BCP
PS411157CP	PS411157CCP
PS411157MP	PS411157MCP
PS411157TP	PS411157TCP
PS4111570P	PS4111570CP
PS4111578FP	PS4111578FCP
PS4111579FP	PS4111579FCP
PS4111579GP	PS4111579GCP
PS411158AP	PS411158ACP
PS411158BP	PS411158BCP
PS4111580P	PS4111580CP
PS4111588CP	PS4111588CCP
PS4111588FP	PS4111588FCP
PS411165AP	PS411165ACP
PS411165BP	PS411165BCP
PS411165CP	PS411165CCP
PS411165MP	PS411165MCP
PS4111650P	PS4111650CP
PS4111658FP	PS4111658FCP
PS4111659CP	PS4111659CCP
PS411166AP	PS411166ACP
PS411166BP	PS411166BCP
PS4111660P	PS4111660CP
PS4111668CP	PS4111668CCP

“H” Series Kits	isys Kits
PS4111668FP	PS4111668FCP
PS411167AP	PS411167ACP
PS411167BP	PS411167BCP
PS411167CP	PS411167CCP
PS411167JP	PS411167JCP
PS411167MP	PS411167MCP
PS4111670P	PS4111670CP
PS4111678CP	PS4111678CCP
PS4111678FP	PS4111678FCP
PS4111678GP	PS4111678GCP
PS4111679FP	PS4111679FCP
PS4111679GP	PS4111679GCP
PS411168AP	PS411168ACP
PS411168BP	PS411168BCP
PS411168CP	PS411168CCP
PS411168MP	PS411168MCP
PS4111680P	PS4111680CP
PS4111688CP	PS4111688CCP
PS4111688FP	PS4111688FCP
PS4111689CP	PS4111689CCP
PS4134P	PS4134CP
PS4135P	PS4135CP
PS4138205P	PS4138205CP
PS4142P	PS4142CP
PS42371DDP	PS42371DDCP
PS4237166P	PS4237166CP
PS4237199P	PS4237199CP
PS4237206P	PS4237206CP
PS4237209P	PS4237209CP
PS4237266P	PS4237266CP
PS4237277P	PS4237277CP
PS4237299P	PS4237299CP
PS4238144P	PS4238144CP
PS4238166P	PS4238166CP
PS4238188P	PS4238188CP
PS4238199P	PS4238199CP
PS4238206P	PS4238206CP
PS4238250P	PS4238250CP
PS4238260P	PS4238260CP
PS4238266P	PS4238266CP
PS4238360P	PS4238360CP
PS421110AP	PS421110ACP
PS421110CP	PS421110CCP
PS4211100P	PS4211100CP
PS4211108CP	PS4211108CCP
PS4211108FP	PS4211108FCP
PS4211109CP	PS4211109CCP
PS421117AP	PS421117ACP
PS421117BP	PS421117BCP
PS421117CP	PS421117CCP
PS421117TP	PS421117TCP
PS4211170P	PS4211170CP
PS4211178FP	PS4211178FCP
PS421118AP	PS421118ACP
PS421118BP	PS421118BCP





“H” Series Kits	isys Kits
PS421118CP .....	PS421118CCP .....
PS4211180P .....	PS4211180CP .....
PS4211188CP .....	PS4211188CCP .....
PS4211188FP .....	PS4211188FCP .....
PS421119AP .....	PS421119ACP .....
PS421119BP .....	PS421119BCP .....
PS421119CP .....	PS421119CCP .....
PS4211190P .....	PS4211190CP .....
PS4211198FP .....	PS4211198FCP .....
PS421120AP .....	PS421120ACP .....
PS421120BP .....	PS421120BCP .....
PS4211200P .....	PS4211200CP .....
PS4211208FP .....	PS4211208FCP .....
PS421127AP .....	PS421127ACP .....
PS421127BP .....	PS421127BCP .....
PS421127CP .....	PS421127CCP .....
PS421127TP .....	PS421127TCP .....
PS4211270P .....	PS4211270CP .....
PS4211278FP .....	PS4211278FCP .....
PS421128AP .....	PS421128ACP .....
PS421128BP .....	PS421128BCP .....
PS421128CP .....	PS421128CCP .....
PS4211280P .....	PS4211280CP .....
PS4211288FP .....	PS4211288FCP .....
PS421129AP .....	PS421129ACP .....
PS421129BP .....	PS421129BCP .....
PS4211290P .....	PS4211290CP .....
PS4211298FP .....	PS4211298FCP .....
PS421150AP .....	PS421150ACP .....
PS421150BP .....	PS421150BCP .....
PS4211500P .....	PS4211500CP .....
PS4211508FP .....	PS4211508FCP .....
PS421157AP .....	PS421157ACP .....
PS421157BP .....	PS421157BCP .....
PS421157CP .....	PS421157CCP .....
PS421157MP .....	PS421157MCP .....
PS421157TP .....	PS421157TCP .....
PS4211570P .....	PS4211570CP .....
PS4211578FP .....	PS4211578FCP .....
PS421158AP .....	PS421158ACP .....
PS421158BP .....	PS421158BCP .....
PS4211580P .....	PS4211580CP .....
PS4211588CP .....	PS4211588CCP .....
PS4211588FP .....	PS4211588FCP .....
PS421159AP .....	PS421159ACP .....
PS421159BP .....	PS421159BCP .....
PS421159CP .....	PS421159CCP .....
PS421159JP .....	PS421159JCP .....
PS421159MP .....	PS421159MCP .....
PS4211590P .....	PS4211590CP .....
PS4211598FP .....	PS4211598FCP .....
PS421160AP .....	PS421160ACP .....
PS421160BP .....	PS421160BCP .....
PS421160CP .....	PS421160CCP .....
PS421160MP .....	PS421160MCP .....

“H” Series Kits	isys Kits
PS4211600P .....	PS4211600CP .....
PS4211608CP .....	PS4211608CCP .....
PS4211608FP .....	PS4211608FCP .....
PS421167AP .....	PS421167ACP .....
PS421167BP .....	PS421167BCP .....
PS421167CP .....	PS421167CCP .....
PS421167MP .....	PS421167MCP .....
PS421167TP .....	PS421167TCP .....
PS4211670P .....	PS4211670CP .....
PS4211678FP .....	PS4211678FCP .....
PS421168AP .....	PS421168ACP .....
PS421168BP .....	PS421168BCP .....
PS421168MP .....	PS421168MCP .....
PS4211680P .....	PS4211680CP .....
PS4211688CP .....	PS4211688CCP .....
PS4211688FP .....	PS4211688FCP .....
PS421169AP .....	PS421169ACP .....
PS421169BP .....	PS421169BCP .....
PS421169CP .....	PS421169CCP .....
PS421169JP .....	PS421169JCP .....
PS421169MP .....	PS421169MCP .....
PS4211690P .....	PS4211690CP .....
PS4211698FP .....	PS4211698FCP .....
PS4211699CP .....	PS4211699CCP .....
PS4211699FP .....	PS4211699FCP .....
PS421500P .....	PS421500CP .....
PS421501P .....	PS421501CP .....
PS4234P .....	PS4234CP .....
PS4235P .....	PS4235CP .....
PS4242P .....	PS4242CP .....
PS4032P .....	PS4032CP .....
PS4132P .....	PS4132CP .....
PS4232P .....	PS4232CP .....
PS4033CP .....	PS4033CP .....
SCD251MB .....	SCD251MC .....
SCC191MB .....	SCC191MC .....
SCC122MB .....	SCC122MC .....
SCC122NB .....	SCC122NC .....



---

---

---

---

---

---

---

---

---

---

---

---

---

---

---

---

---

---

---

---

---

---

---





**Parker Hannifin Corporation**

Pneumatic Division  
8676 E. M89  
P.O. Box 901  
Richland, MI 49083 USA  
Tel: (269) 629-5000  
Fax: (269) 629-5385

Customer/Technical Service

Tel: (269) 629-5575  
Fax: (269) 629-5385  
Web site: [www.parker.com/pneumatics](http://www.parker.com/pneumatics)  
E-mail: [PDNMKTG@parker.com](mailto:PDNMKTG@parker.com)