



Moduflex valve system

«Assembly instructions»

A Primary assembly

① P
② E idem P

①
②

①
②
③

& S P

B V Series

OR OR

=

C Island assembly T or V series

DE - verschrauben bis zum Anschlag, dann Festziehen mit 1/4 bis 3/4 Umdrehung.
 ES - Apretar hasta el contacto, después apretar entre 1/4 y 3/4 dando vuelta.
 FR - Serrer jusqu'au contact, puis serrer entre 1/4 et 3/4 de tour.
 IT - Stringere fino al contatto, poi serrare tra 1/4 - 3/4 di giro.
 PO - Apertar até o contato, depois apertar entre 1/4 y 3/4 dando voltas.
 SE - Skruva i skruven tills kontakt uppstår. Dra sedan åt ytterligare mellan 1/4 och 3/4 varv.
 UK - Tighten until contact, then tighten between 1/4 and 3/4 turn.

4 mm
5/32 inch

①
②
③

1 mm

0 mm

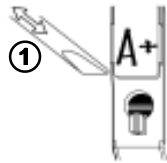
Min 1/4
④
Max 3/4

⑤

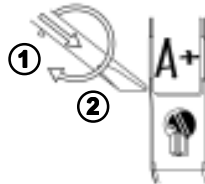
⑥ V series only

T and V series

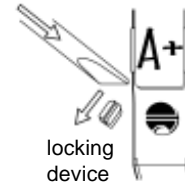
Manual override solenoid



1 - Push -
release



1 - Push -
2 - twist - locking



locking
device

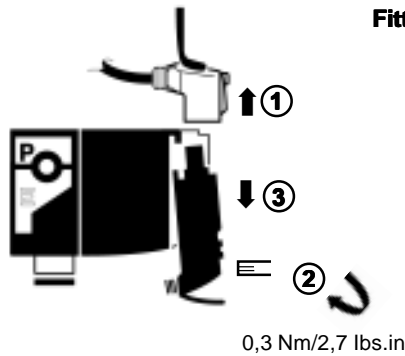
Remove locking
device

1/8 inch 3,5 mm screwdriver

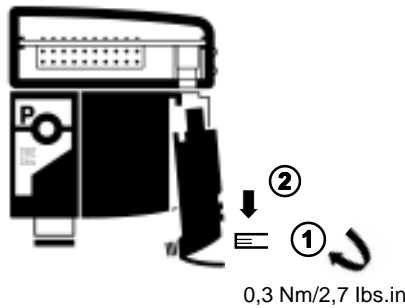


P2M2K0FA
isolation fork

Manual override
is disengaged

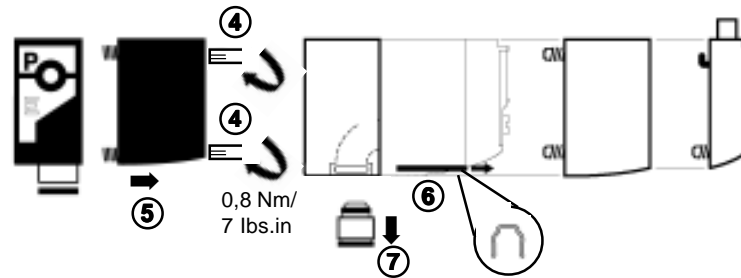


0,3 Nm/2,7 lbs.in



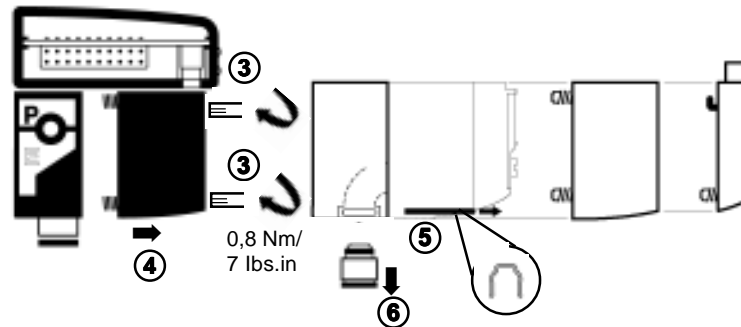
0,3 Nm/2,7 lbs.in

Fittings replacement method



0,8 Nm/
7 lbs.in

T8
Torx
screwdriver



0,8 Nm/
7 lbs.in



Px Ex Selection

0,4 Nm/3,5 lbs in

