

# LowPro41LP

Low Profile Sewage system

# Liberty Pumps®

A Family and Employee Owned Company

For addition of a toilet without breaking concrete floors. Mounts freestanding or can be built-in using 2" x 6" joists for a more professional looking installation. Additional fixtures such as a shower or sink can be easily added using the optional inlet seal (provided).

Fully  
Assembled  
System!



## Features

- 2" Solids handling sewage pump
- 4/10 hp 115V
- Durable poly tank with separate access opening to switch
- Fully assembled unit, including pump, piping and switch. Saves valuable installation time.



(toilet not included)



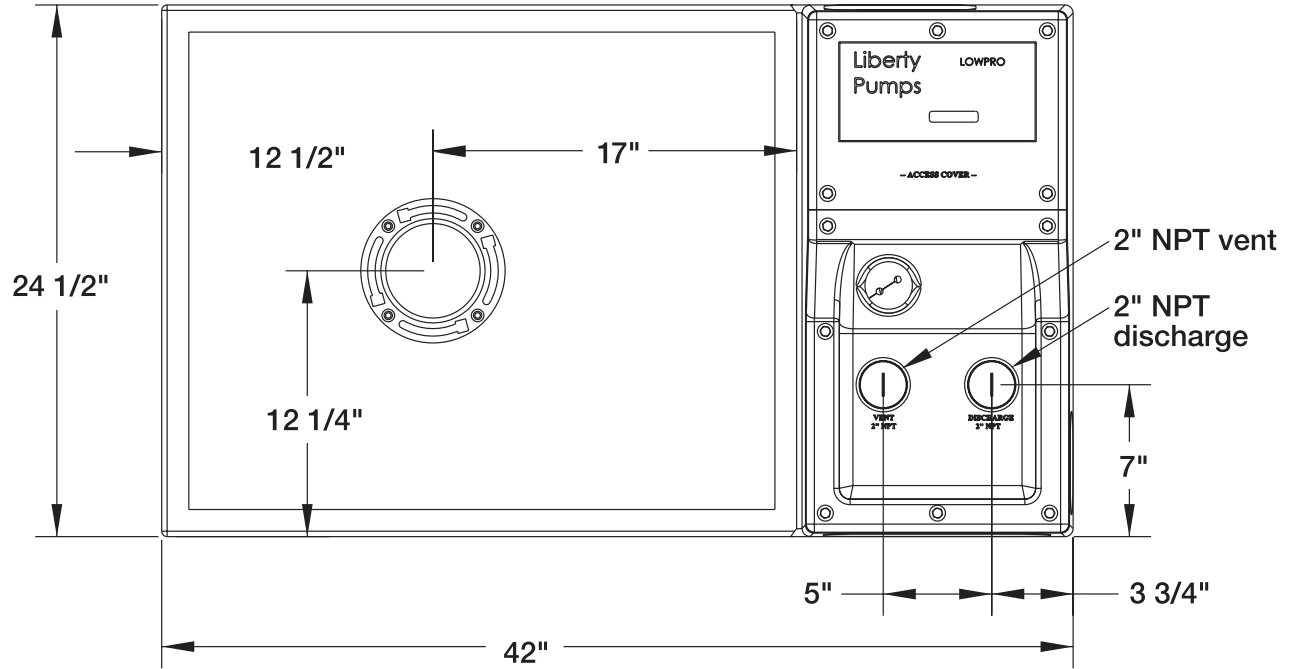
Constructed with Certified Pump MODEL LE41LP

innovate. evolve.

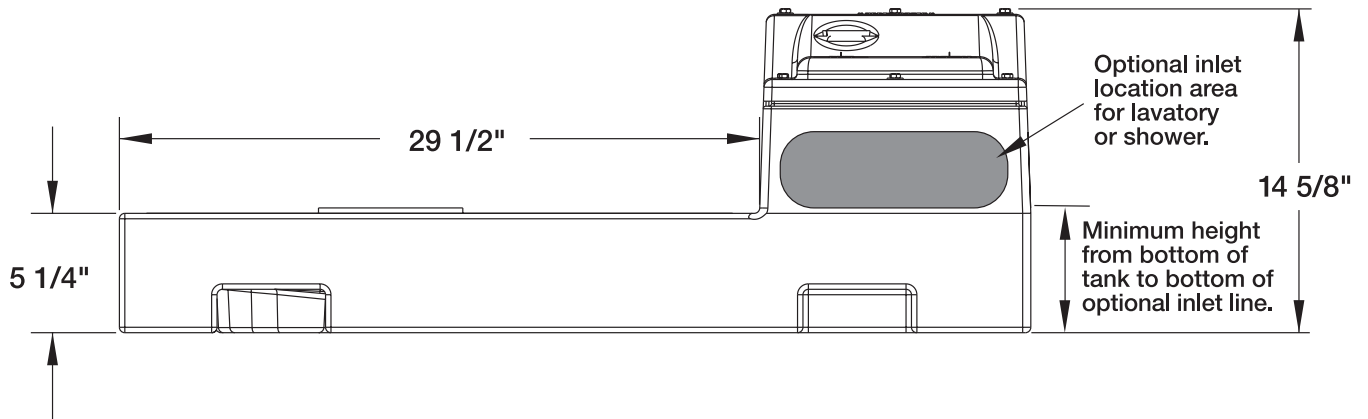
# LowPro41LP

## Dimensional Data

top view



side view



# LowPro41LP

## Fully Assembled System Features

- Durable one-piece poly tank with split cover design – allows access to switch area without disturbing discharge and vent piping
- 4/10 hp cast iron sewage pump, 2" solids handling
- Pre-mounted float switch
- Schedule 80 PVC discharge pipe (internal)
- 2" check valve
- Closet flange with extra spacers for optional floor heights (1/4" and 1/2" provided)
- Pipe grommet seal for additional 2" inlet pipe from a shower or sink
- Engineered water jet provides a powerful spray within the tank to help break down solids and reduce potential jamming
- Flow-adjusted pump maximizes pump cycle time and increases pump life

## Specifications

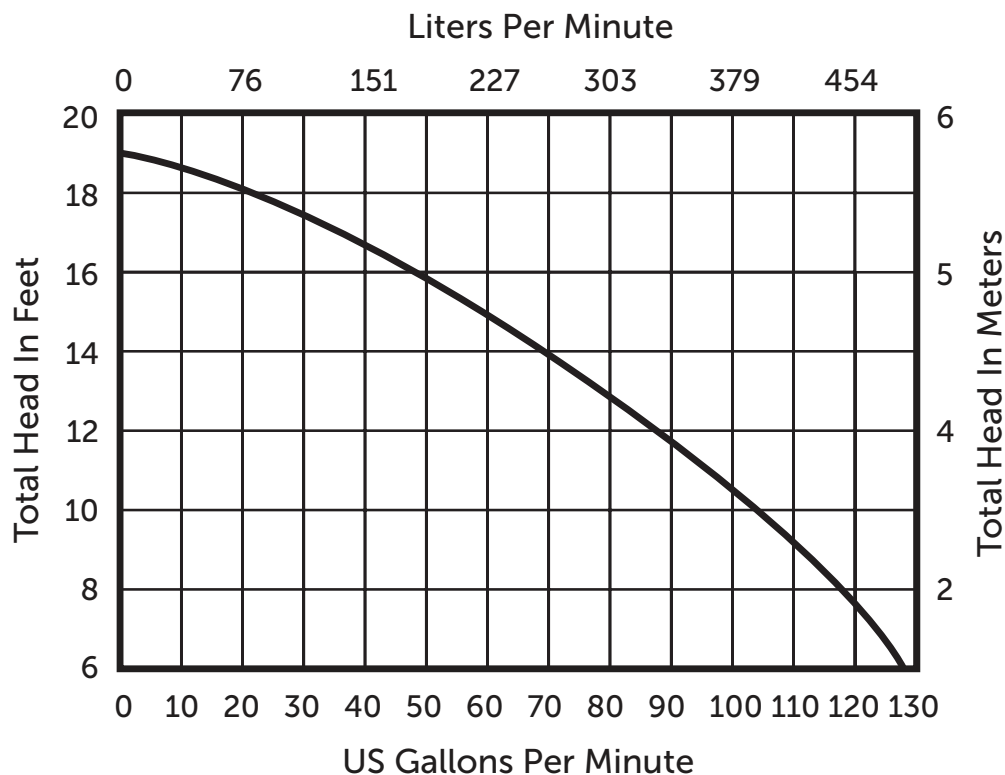
4/10 hp 115V 12 amps

**Maximum fluid temperature:** 140°F

**Assembled weight:** 91 lbs

## Performance Curve

60 Hz 1725 RPM



# LowPro41LP

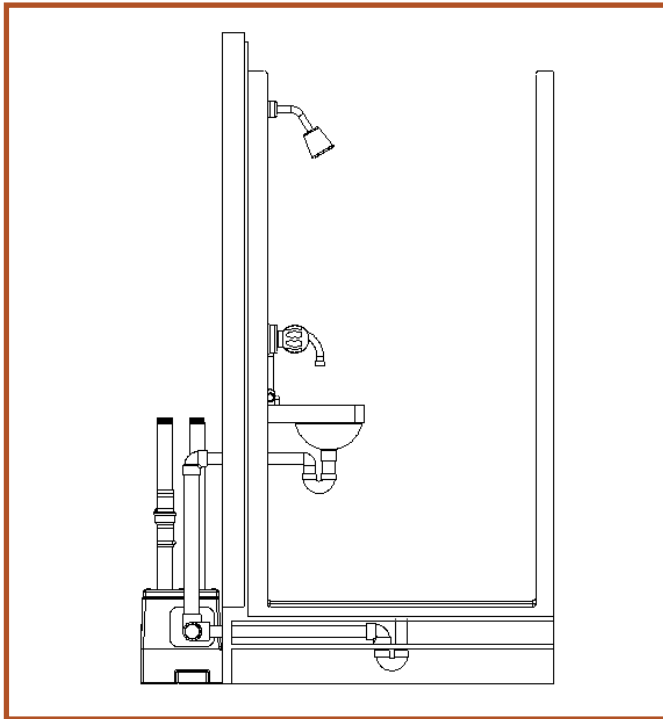
## Sample Installations

The LowPro41LP can be installed freestanding or built-in, concealing the pump compartment and piping. The platform section of the tank is sized to fit flush with an elevated floor framed with 2" x 6" material.

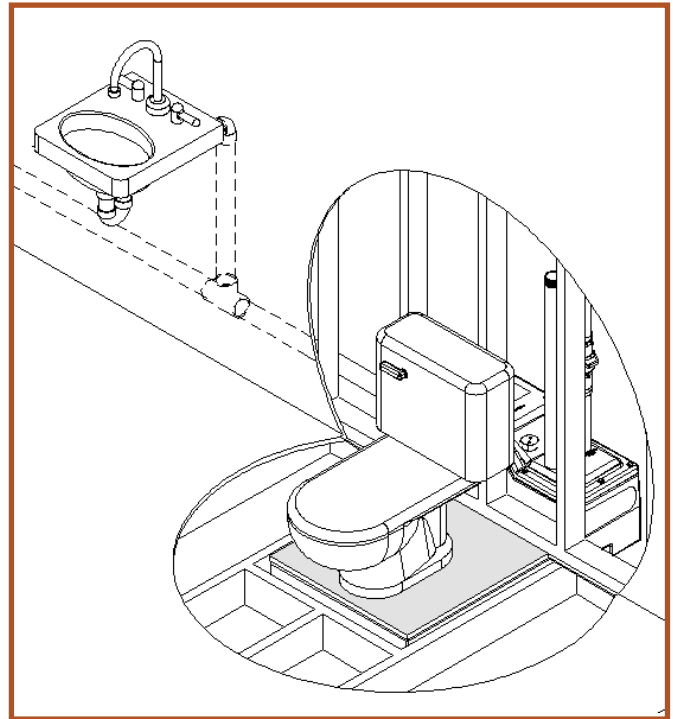
**Note:** Access to pump compartment is required on built-in installations.

For addition of a lavatory or shower, a rubber pipe seal is included. Seal accepts 2" Schedule 40 PVC piping. Showers must be elevated to allow gravity flow to unit.

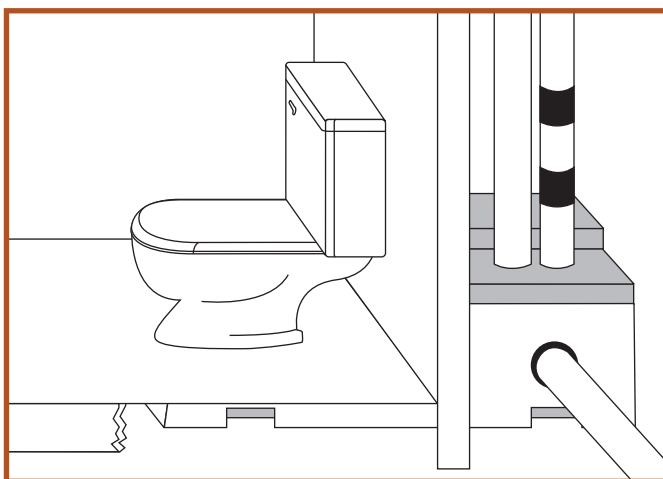
Some possible arrangements using the LowPro41LP:



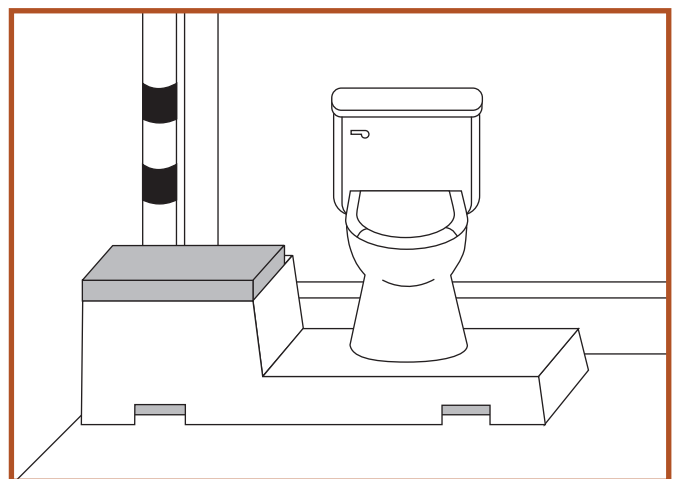
Side view with shower and lavatory.



View with wall and floor framing.



Built-in [hidden]



Exposed corner location