

HT40-SERIES

High Temperature Submersible Pump

Liberty Pumps®

A Family and Employee Owned Company

4/10 hp

1-1/2" Discharge

3/4" Solids handling

For hot water applications
up to 200°F

- Boiler Blowdown Pits
- Hot Water Transfer
- Condensate Pits

Features

- Vortex impeller, made of high temperature engineered thermoplastic, permits passage of solids without clogging
- Cast iron construction with all stainless and brass fasteners
- 416 Stainless steel rotor shaft
- Oil-filled, thermally protected motor
- Permanently lubricated bearings
- Unitized shaft seal
- 10' UL approved power cord with Quick-connect design (25' optional)
- 1-1/2" FNPT discharge



Models

HT41M	115V, 12A, Manual, 10' Cord
HT41M-2	115V, 12A, Manual, 25' Cord
HT41A	115V, 12A, Automatic, 10' Cord
HT41A-2	115V, 12A, Automatic, 25' Cord



innovate. evolve.

HT40-Series

Impeller

Vortex style impeller made of high temperature engineered thermoplastic

Motor

Submersible type, oil-filled, hermetically sealed and thermally protected

Motor Housing

Class 25 cast iron

Shaft

416 Stainless steel

Bearings

Upper and lower ball bearings

Maximum Fluid Temperature

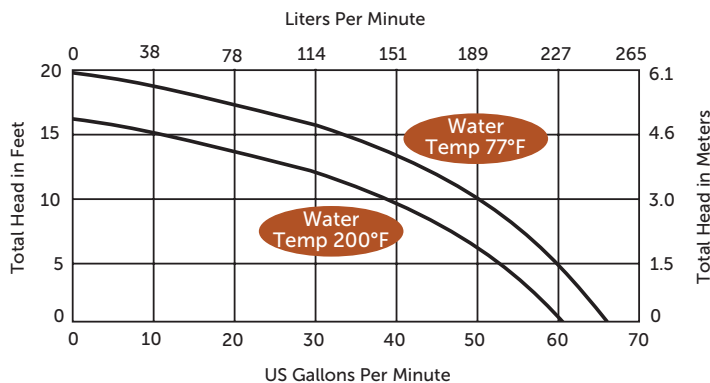
200°F

Seal

Carbon ceramic unitized design, high temperature elastomers and stainless housings

Performance Curve

60 Hz 1550 RPM



Models

MODELS	HP	VOLTS	PHASE	AMPS	DISCHARGE SIZE	AUTOMATIC	IMPELLER
HT41M	4/10	115	1	12	1-1/2" FNPT	No	Vortex
HT41A	4/10	115	1	12	1-1/2" FNPT	Yes	Vortex

Standard 10' cord on above models. For 25' cord options, add a "-2" suffix to model number. Example: HT41A-2.

Specifications subject to change without notice.

Copyright © Liberty Pumps, Inc. 2022 All rights reserved. LLIT001400-R11/22

Level Control

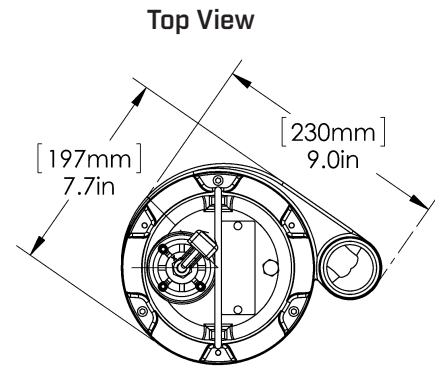
Controlled by an adjustable mercury-free float switch

Dimensional Data

Weight: HT41M: 36 lbs

Height: 9.6"

Major Width: 9.8" (manual models)



Top View

Side View

CORD - 115V

