

# XLE50 and XLE70-SERIES

Explosion-proof Submersible Sewage Pumps for Hazardous Locations

# Liberty Pumps®

A Family and Employee Owned Company

## X-Series™

**1/2 hp - XLE50-Series**

**3/4 hp - XLE70-Series**

**2" Solids Handling**

**2" or 3" Discharge**

Class 1, Division 1, Groups C and D  
Class 1, Zone 1, Group IIA and IIB

### Features

- Heavy cast iron construction
- Dual shaft seals
- Seal fail sensor
- 2 Vane, semi-open cast iron impeller (bronze optional)
- 416 Stainless-steel rotor shaft
- 1-1/2" Threads provided at power cords for optional conduit connection

For use with ISS-Series and  
ISD-Series intrinsically safe panels.

Consult factory for proper panel sizing.



**Dual Sized Discharge**  
2" or 3"



Patent: See  
[www.LibertyPumps.com/patents](http://www.LibertyPumps.com/patents)



Meets FM Standards

# innovate. evolve.

# XLE50-Series and XLE70-Series

## Impeller

Cast Iron (standard), bronze option available (order "B" models)

## Motor

Submersible type, oil-filled, hermetically sealed

## Motor Housing

Class 30 heavy cast iron

## Shaft

Dual seals, silicon carbide with BUNA-N elastomers and stainless-steel housing

## Bearings

Upper and lower ball bearings

## Thermal Protection

1-phase models - built into motor windings with automatic reset. 3-phase models require overloads in the control panel

## Capacitor

External run capacitor required in control panel, 1-phase only

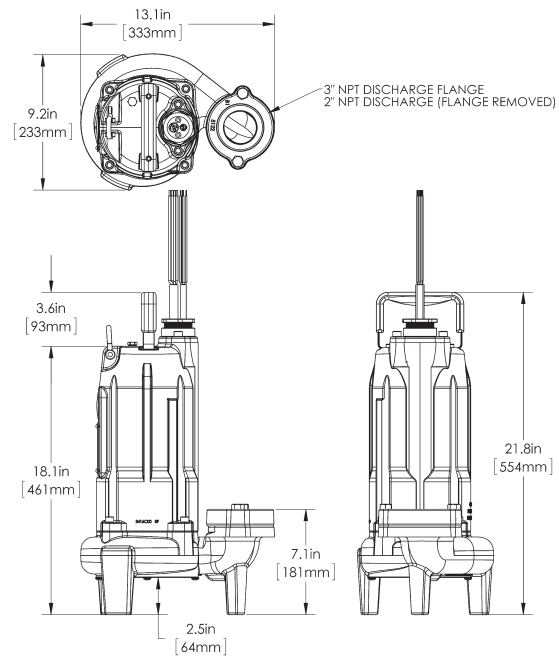
## Seal Fail Sensor

Integral moisture sensing probe (functionality requires indicator in control panel – see ISS or ISD-Series control panels)

## Max Fluid Temperature

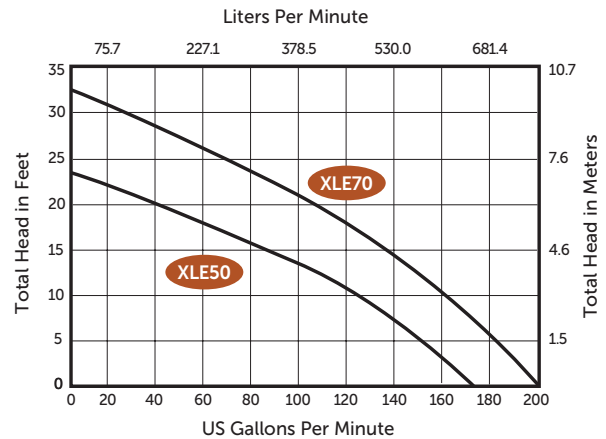
104°F (40°C) Continuous duty rated

## Dimensional Data



## Performance Curve

60 Hz, 1725 RPM



MODELS	HP	VOLTS	HZ	PHASE	FULL LOAD AMPS	CAPACITOR KIT	DISCHARGE SIZE	CORD LENGTH	WEIGHT
XLE51M-2	1/2	115	60	1	10.5	K001514	2" & 3"	25'	96 lbs
XLE52M-2	1/2	208/230	60	1	5.5	K001513	2" & 3"	25'	96 lbs
XLE53M-2	1/2	208/230	60	3	3.5	N/A	2" & 3"	25'	96 lbs
XLE54M-2	1/2	440-480	60	3	1.8	N/A	2" & 3"	25'	96 lbs
XLE55M-2	1/2	575	60	3	1.6	N/A	2" & 3"	25'	96 lbs
XLE71M-2	3/4	115	60	1	14	K001514	2" & 3"	25'	96 lbs
XLE72M-2	3/4	208/230	60	1	7	K001513	2" & 3"	25'	96 lbs
XLE73M-2	3/4	208/230	60	3	4.5	N/A	2" & 3"	25'	96 lbs
XLE74M-2	3/4	440-480	60	3	2	N/A	2" & 3"	25'	96 lbs
XLE75M-2	3/4	575	60	3	1.6	N/A	2" & 3"	25'	96 lbs

25' cords are standard. For 35' or 50' cords, add "-3" or "-5" suffix respectively. Example: XLE51M-3

Cast iron impeller standard. For bronze impeller add "B" to model number. Example: XLE51BM-2

NOTE: 3-phase models require a control panel with overloads properly sized for the pump. See intrinsically safe control panels

ISS-Series (simplex) or ISD-Series (duplex) literature for complete control panel information. Consult factory for proper control panel sizing.

Specifications subject to change without notice.

Copyright © Liberty Pumps, Inc. 2020 All rights reserved. LLIT006737-R02/20

Liberty Pumps - 7000 Apple Tree Avenue - Bergen, New York 14416  
Phone 800-543-2550 - Fax 585-494-1839 - LibertyPumps.com