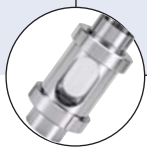




Safety ingold sockets Sterile version and Asepto sampling systems

- All medium contact materials traceable
- Component of the BBS modular system
- Safety version
- Guaranteed zero dead volume
- Fits in BBS sterile ingold sockets

Hygienic Processing components...



Type BBS-3F
Flow indicator



Type BBS-04
Silicone hose



Type BBS-10
Check valve



Type BBS-05
Aseptic
Clamp connection



Type BBS-06
Sterile orbital flange



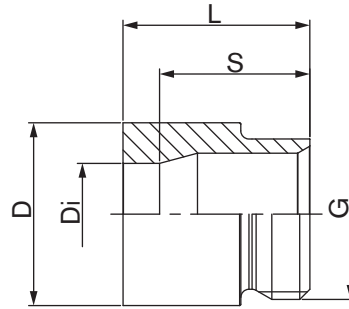
Type 2103
Diaphragm valve

The BBS safety ingold sockets are designed so that upon release of the nut any possible existing pressure in the container can escape without the plug being disengaged. Thus providing safety for the operator. The sealing part is designed to guarantee that it is absolutely gap free. The standardization of safety ingold sockets allows the common use of various instruments and additionally the BBS-11 range is available with sampling devices to suit your needs so please contact us to discuss how we can help further.

Technical data	
Available standard sizes	DN25 DN40
Material medium contact	Stainless steel 1.4435 BN2 (316L) Special materials on request
Material medium separated	1.4305 or equivalent
Diaphragm material	Silicone
Seals	O-Ring, EPDM, PTFE, special sealing materials on request
Surface quality	Medium contacted surface < Ra 0,8µm, electro polished, finer surface on request
Operating temperature	EPDM seal material: -40 to 90 °C, temporary to 140 °C FEP ¹⁾ Seal material: -60°C to 160°C, (depending on the operating pressure) temporary to 205°C
Ambient temperature	-20 to +80 °C
Media	Gases or liquids
Operating pressure	-1 to +16 bar (depending on temperature)
Certifications	FDA specified for all sealing materials USP Class VI for EPDM, PTFE and FEP

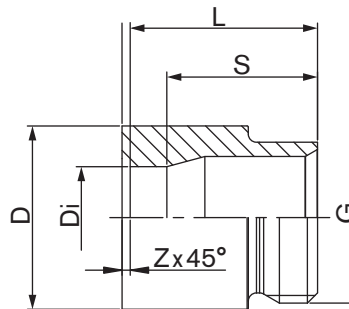
Dimensions [mm]

Safety ingold sockets, straight



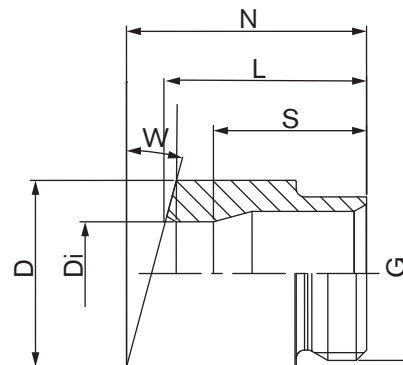
Orifice	D [mm]	Di (H7) [mm]	L [mm]	S [mm]	G [mm]	Item no.
Dimensions Safety ingold sockets, straight						
DN25	45,00	25,00	46,00	37,00	G1 1/4"	737 214
DN40	60,00	40,00	48,00	40,00	M56x2	on request

Safety ingold sockets, straight, with chamfer



Orifice	D [mm]	Di (H7) [mm]	L [mm]	S [mm]	G [mm]	Z [mm]	Item no.
Dimensions Safety ingold sockets, straight, with chamfer							
DN25	45,00	25,00	46,00	37,00	G1 1/4"	2,00	737 237
DN40	60,00	40,00	48,00	40,00	M56x2	4,00	on request

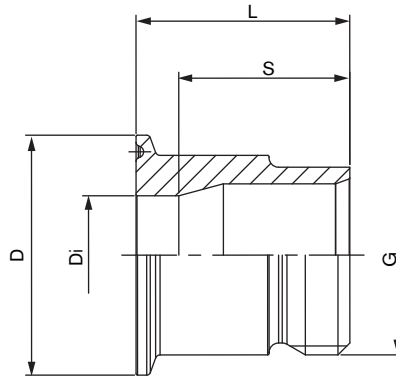
Safety ingold sockets angular 15°



Orifice	D [mm]	Di (H7) [mm]	N [mm]	L [mm]	S [mm]	G [mm]	W [°]	Item no.
Dimensions Safety ingold sockets angular 15°								
DN25	45,00	25,00	55,40	46,00	37,00	G1 1/4"	15,00	737 260
DN40	60,00	40,00	64,00	48,00	37,00	M56x2	15,00	747 987

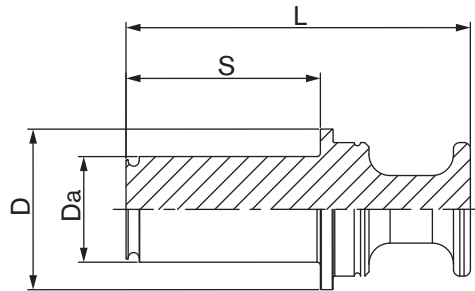
Dimensions [mm]

Safety ingold socket with Clamp



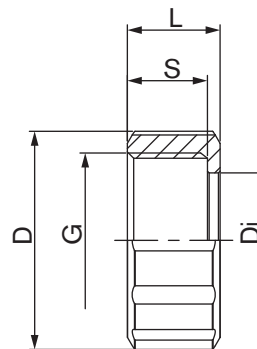
Orifice	D [mm]	Di (H7) [mm]	L [mm]	S [mm]	G [mm]	Item no.
Dimensions Safety ingold socket with Clamp						
DN25	50,50	25,00	46,00	37,00	G1 1/4"	on request
DN40	64,00	40,00	48,00	40,00	M56x2	on request

Safety ingold plug



Orifice	D [mm]	Da (e8) [mm]	L [mm]	S [mm]	Item no.
Dimensions Safety ingold plug					
DN25	38,00	25,00	81,50	46,00	743 071
DN40	50,00	40,00	82,00	48,00	747 988

Ingold nut



Orifice	D [mm]	Di [mm]	L [mm]	S [mm]	G [mm]	Item no.
Dimensions Ingold nut						
DN25	52,00	32,00	22,00	19,00	G1 1/4"	737 017
DN40	69,00	44,00	22,00	19,00	M56x2	737 037

Dimensions [mm]

O-Rings for Ingold plug

Orifice	Item no. EPDM		Item no. FEP
O-Rings for Ingold plug			
DN25	BBS-02-01.Z25.ING.EP.0	731 443	731 445
DN40	BBS-02-01.Z40.ING.EP.0	731 455	on request
Orifice	Item no. Silicone		Item no. FKM
O-Rings for Ingold plug			
DN25	BBS-02-01.Z25.ING.SI.1	731 449	on request
DN40	BBS-02-01.Z40.ING.SI.1	on request	on request

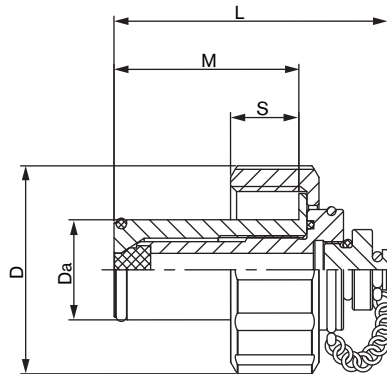


Safety ring

Orifice	Item no.
Safety rings for Ingold plugs	
DN25	738 495
DN40	731 885



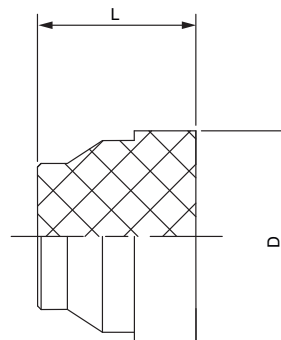
Aseptic sampling system for ingold socket



Orifice	D [mm]	Da (e8) [mm]	L [mm]	M [mm]	S [mm]	Item no.
Dimensions Aseptic sampling system for ingold socket						
DN25	52,00	25,00	68,00	46,00	17,00	743 320
DN40	69,00	40,00	-	-	-	on request

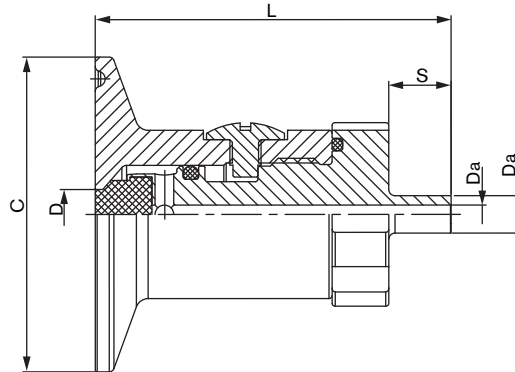
Replacement diaphragm

Orifice	D [mm]	L [mm]	Item no. Silicone
Dimensions replacement diaphragm			
DN25	12,00	8,50	731 617
DN40	12,00	8,50	731 617



Dimensions [mm]

Asepto sampling system with Clamp connection



Orifice	C [mm]	D (H7) [mm]	Da [mm]	Di [mm]	L [mm]	S [mm]	Item no.
Dimensions Asepto sampling system							
DN10	25,00	8,00	6,00	3,00	57,00	10,00	743 090
DN25	50,50	8,00	6,00	3,00	57,00	10,00	743 051

Specification key (other versions on request)

Example **BBS-11** - **IH** - **00** - **25,0** - **00** - **VI** - **0000** - **000** - **IAB** - **PA** * - **NK52 NO10**

Specification key **BBS-11** - [] - [] - [] - [] - [] - **0000** - **000** - [] - [] - []

Delivery (LIUM)	
IA	Ingold socket with sterile plug and safety ring complete
IB	Ingold socket with unsterile plug and safety ring complete
IC	Ingold socket with sterile plug without safety ring complete
ID	Ingold socket with unsterile plug without safety ring complete
IE	Aseptic sampling system complete (without socket)
IF	Aseptic sampling system complete (with socket)
IG	Aseptic sampling system with clamp complete
IH	Aseptic flow sampling system with clamp complete
II	Safety Ingold socket
IJ	Safety Ingold plug
IK	Ingold adapter for pH-sensor
IL	Ingold socket with adapter for pH-sensor complete
IM	Ingold socket straight internal contour
IN	Holder for diaphragm

Connection Type (VRBT)	
CA	Terminal connection acc.to DIN 32676-A
DA	Weld connection Ingold, Ø 45
DB	Weld connection Ingold, Ø 60

Orifice (DN)	
	25,0
	40,0

Seal Material (DWST)	
AB	EPDM

Material (WKST)	
VI	1.4435 acc. to BN2 and 316L acc. to ASME BPE table DT3

Internal polishing	
NO10	int. electro polished (Standard) Ra = 0.8 µm
Certificate	
NK52	3.1 Certificate (Standard)

Characteristic function of size (KGFT)	
SA	Safety Ingold socket straight
SB	Safety Ingold socket straight with chamfer
SC	Safety Ingold socket angular 15°
SD	Safety Ingold socket straight with Clamp
SE	Ingold socket straight (without safety contour)
SF	Safety Ingold socket angular 45°
PA	Sterile plug with safety ring
PB	Sterile plug without safety ring
PC	Unsterile plug with safety ring
PD	Unsterile plug without safety ring

Size "functional part" (BGFT)	
IAA	Ingold size D=25, plug length L=30
IAB	Ingold size D=25, plug length L=40
IAC	Ingold size D=25, plug length L=46
IAD	Ingold size D=25, plug length L=53
IAE	Ingold size D=25, plug length L=56
IAF	Ingold size D=25, plug length L=48
IAG	Ingold size D=25, plug length L=37
IAH	Ingold size D=25, plug length L=50
IAI	Ingold size D=25, plug length L=45
IAJ	Ingold size D=25, plug length L=36
IBA	Ingold size D=40, plug length L=48
IBB	Ingold size D=40, plug length L=52
ICA	Sampling system size 1

DTS 1000174939 EN Version: D Status: RL (released | freigegeben | valide) printed: 24.10.2016

To find your nearest Bürkert office, click on the orange box →

www.burkert.com

In case of special application conditions, please consult for advice.

Subject to alteration.
© Christian Bürkert GmbH & Co. KG

1604/5_EU-en_00895196