

Grinder Pump Accessories

Liberty Pumps®

A Family and Employee Owned Company



GR20-Series Guide Rail Base for Omnivore® Grinders

All GR20 Models

- Single guide pipe design with auto-align feature
- Powder coated for corrosion resistance
- Heavy nitrile sealing grommet
- Includes: mating flange, upper rail support bracket, stainless steel bolts and sealing grommet

Model GR20 Standard Location

- For LSG and LSGX-Series
- All cast iron
- 1-1/4" guide pipe threads FNPT
- 1-1/4" discharge threads FNPT

Model GR20NS Hazardous Location

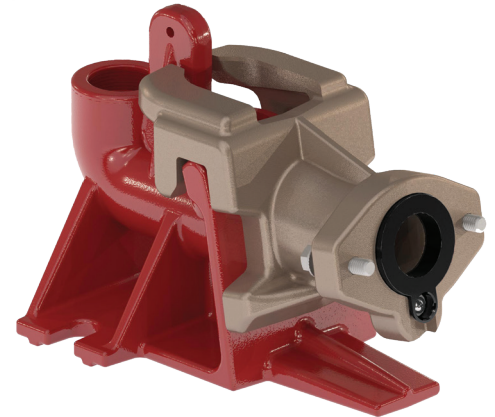
- For XLSG and XLSGX-Series
- Iron base with bronze (non-sparking) mating claw
- 1-1/4" guide pipe threads FNPT
- 1-1/4" discharge threads FNPT

Model GR20-BSP British Parallel Thread

- For LSG and LSGX-Series
- All cast iron
- 1-1/4" guide pipe threads BSP
- 1-1/4" discharge threads BSP



Model GR20
For Standard Locations
(Fits LSG and LSGX-Series Pumps)



Model GR20NS
Features a non-sparking bronze claw for installation in hazardous locations (Fits XLSG and XLSGX-Series Pumps)

G90-Series Flanged Elbow, 90 Degree

- Fits all Omnivore® Series Grinders
- Provides vertical discharge for non-guide rail installations
- 1-1/4" female threaded outlet
- Heavy cast iron construction
- Powder coated for corrosion resistance
- Includes sealing grommet and stainless steel bolts

Model G90 1-1/4" FNPT

Model G90-BSP 1-1/4" British parallel thread



Flanged Elbow, 90 Degree

ACV-Series Anti-siphon Check Valve

- 1-1/4" threaded female connections
- Heavy cast iron construction
- Integrated heavy weight nitrile ball check valve
- Anti-siphon feature breaks suction to prevent unwanted tank siphonage
- 125 PSI rated

Model ACV125 1-1/4" FNPT

Model ACV125-BSP 1-1/4" British parallel thread



Anti-siphon Check Valve

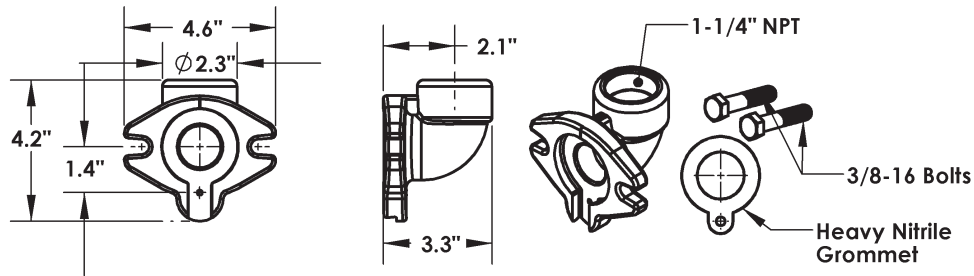
innovate. evolve.

Grinder Pump Accessories

Dimensional Data

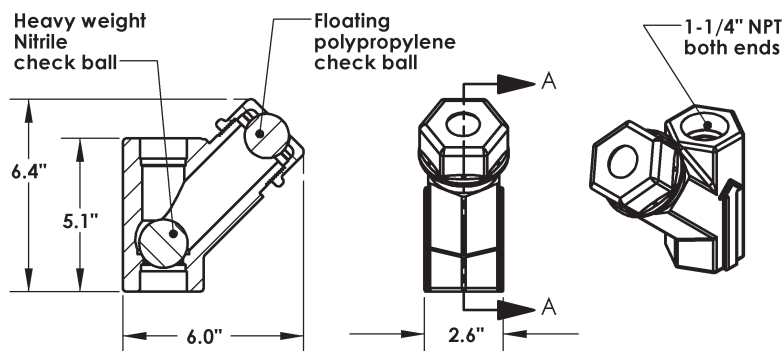
Model G90

Flanged Elbow,
90 Degree



ACV125

Anti-Siphon
Check Valve



Model GR20 and GR20NS

Guide Rail Base

