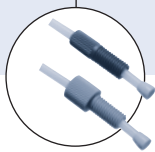




Type 6624 Impulse can be combined with...



Type TVU003

Ferrules, Tubing

2/2- and 3/2-way Rocker Solenoid Valve - bistable (impulse) version

- 10mm width
- orifice DN 0.8 to 1.2 with pressure range vacuum to 5bar
- medium separation, for aggressive fluids
- direct acting
- bistable (impulse) version

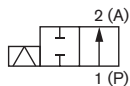
Type 6624 impulse combines the reliable and successful Rocker principle with a highly innovative new actuator. It is the only bi-stable Rocker Valve in its class. With three leads there is no need to reverse the polarity to operate the valve. The TwinPower concept of this actuator reduces the size greatly without loss in performance. The bi-stable version even reduces the power consumption to the lowest possible level. Hence the 10 mm wide medium isolated rocker valve, 6624, with a 1.2 mm orifice and a pressure resistance of 2 bar, provides the same performance as a traditional 16 mm valve. In the design of the 6624, the main benefits lie in its excellent cleanability and a high reliability. The valve is available in a 2-way and 3-way version.

Technical data	
Orifice	DN 0.8mm (vac-5 bar), DN 1.2mm (vac-2 bar)
Body material	PEEK/PPS
Seal material	FKM
Medium	resistant to neutral and aggressive gases and liquids acc. To our chemical resistance chart
Medium temperature FKM	-10°C to +50°C
Ambient temperature FKM	-10°C to +55°C
Internal volume	<100 µl
Port connection	Sub-base
Electrical connection	Flying leads, Rectangular plug
Power supply	24V ¹⁾
Voltage tolerance 24V	+/- 10% ²⁾
Nominal power consumption	4W (impulse 100...250ms)
Vibration resistance (acceleration)	20g
Switching impulse	min. 100ms max. 250ms
Switching frequency	max. 0.1Hz
Installation	as required, minimal distance between two valves needed
Protection class	IP 40
Response times	Acc. DIN 12238
NC open	ca. 10ms (Pressure rise 0-10%)
NC close	ca. 3ms (Pressure drop 100-90%)

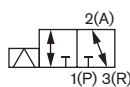
¹⁾ Battery voltage, observe polarity (see product label)

²⁾ Max. allowed ripple

Circuit Function A



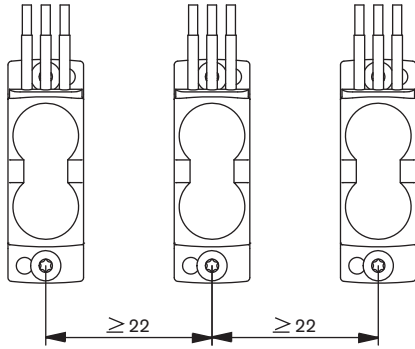
Circuit Function T



Further Technical Data

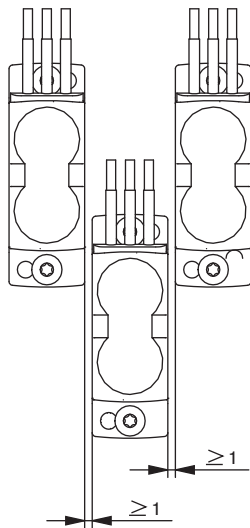
Mounting

Standard setup

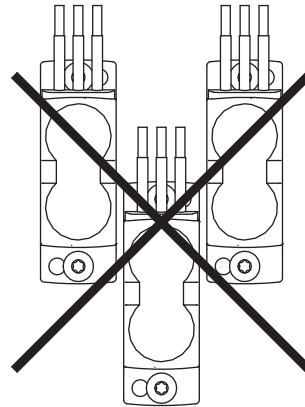
**NOTE**

The permanent magnets in the valves can affect each other during the switching process. To prevent unexpected switching of the valves, a minimum distance must be maintained. The valves should be installed using, at least, the distance suggested in this diagram.

Alternative Setup: Checkboard



Coils not allowed to overlap

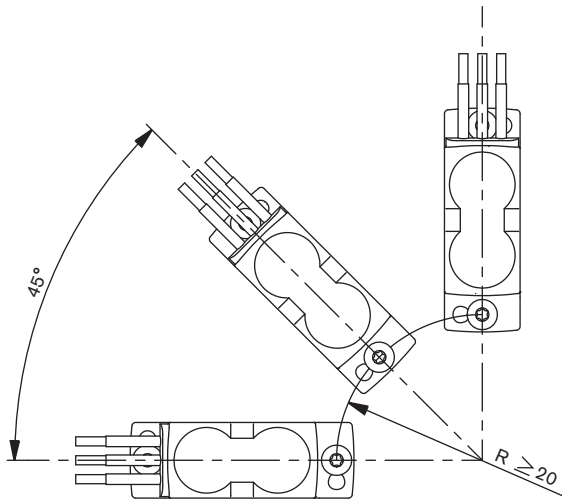
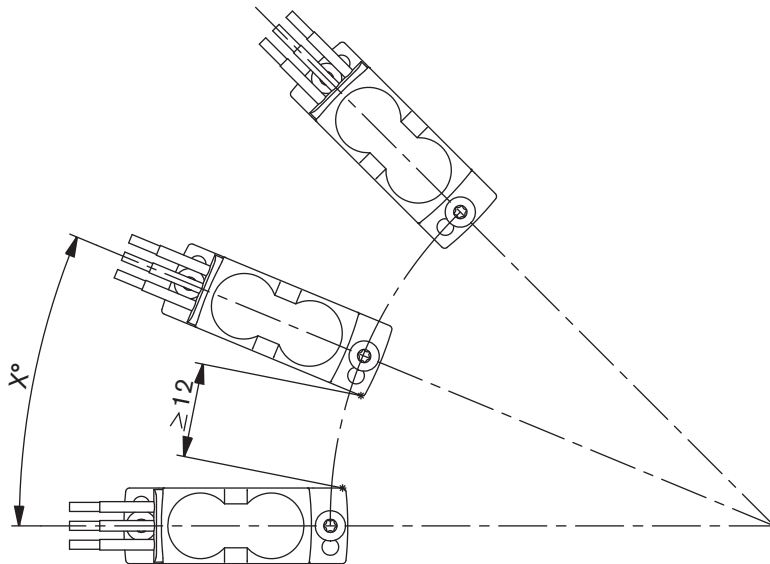


Further Technical Data

Mounting

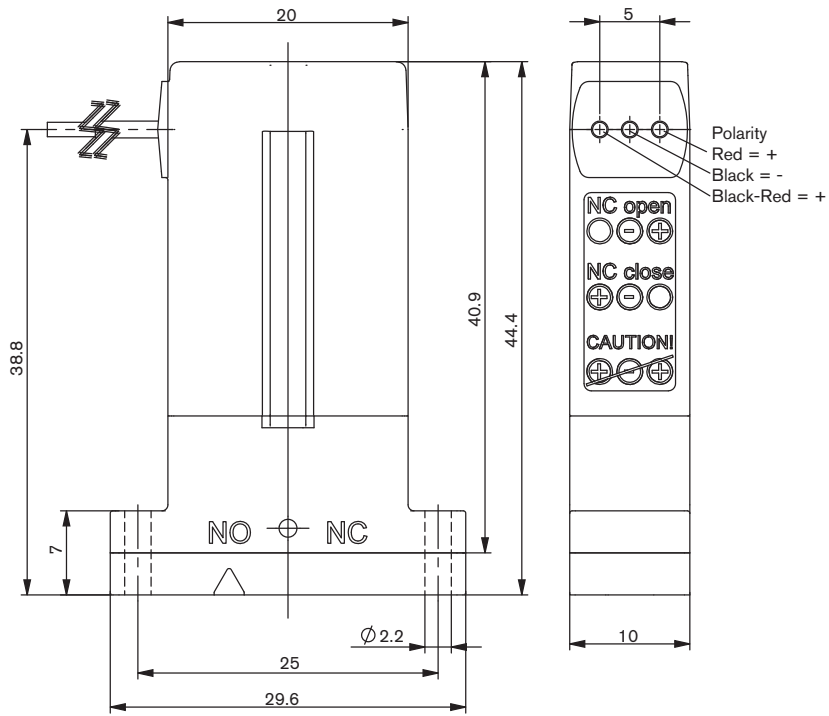
Alternative Setup: Star formation

45 ° arrangement, minimum inside radius for mounting holes

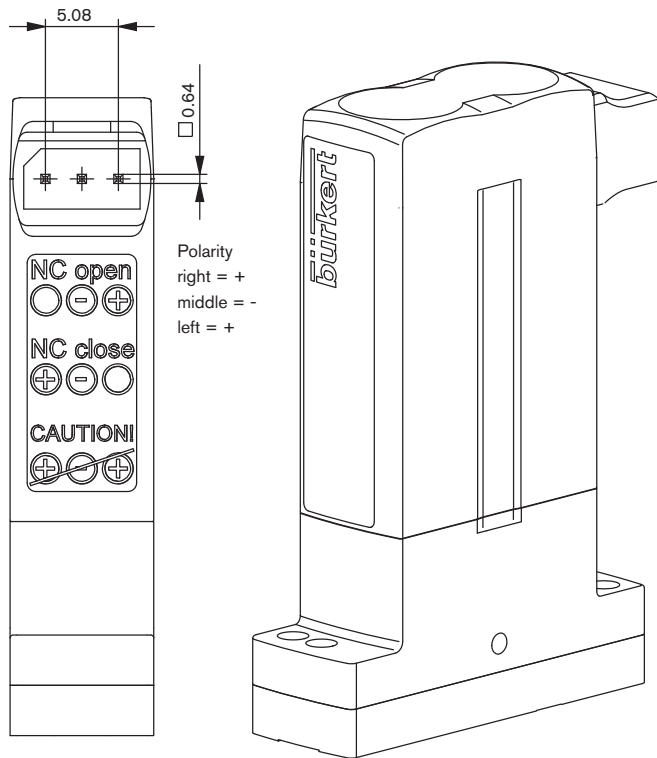
Arrangement for angle $X < 45^\circ$ 

Dimensions [mm]

Electric Connection: Leads



Electric Connection: Rectangular Plug

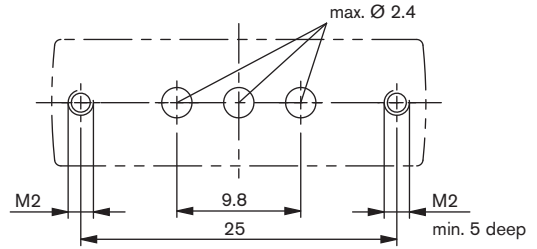
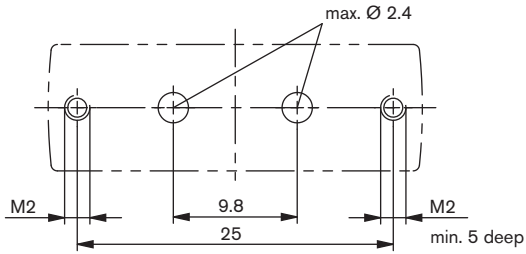


Dimensions [mm]

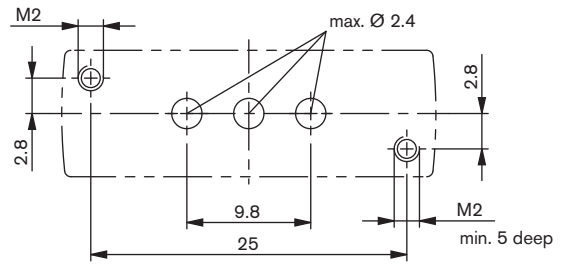
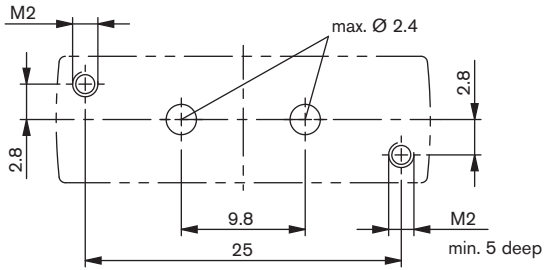
**Sub-base diagram for
2/2-Way Connection**

**Sub-base diagram for
3/2-Way Connection**

preferred screw fitting



further possible screw fittings



Ordering chart

Circuit function	Orifice [mm]	Port connection	Kv value water [m ³ /h] ¹⁾	Pressure range [bar] ²⁾	Max. pressure difference [bar]	Seal material	Body material	Electrical connection	Voltage/Frequency [V/Hz]	Item no.
A	0.8	sub-base	0.01	5	5	FKM	PEEK	flying leads	24 V	257 038
								rectangular plug ³⁾		257 037
								PPS		flying leads
	PPS		rectangular plug ³⁾	257 039						
	1.2		PEEK	flying leads	255 293					
				PPS	rectangular plug ³⁾		257 206			
PPS		flying leads		255 294						
PPS	rectangular plug ³⁾	257 207								
T	0.8	sub-base	0.01	5	5	FKM	PEEK	flying leads	24 V	257 042
								rectangular plug ³⁾		257 041
								PPS		flying leads
	PPS		rectangular plug ³⁾	257 044						
	1.2		PEEK	flying leads	255 913					
				PPS	rectangular plug ³⁾		255 296			
PPS		flying leads		255 295						
PPS	rectangular plug ³⁾	255 297								

³⁾ Rectangular cable plug with 300mm flying leads; Item no. 212 968 (order separately)

Ordering chart accessories

Accessories	Features	Item no.
	Rectangular plug Type 2505 with 3m cable (3 leads)	186 760
	Rectangular plug Type 2505 with 300mm flying leads	212 968
	EPDM dust cover	on request

To find your nearest Bürkert facility, click on the orange box → www.burkert.com

In case of special application conditions, please consult for advice.

Subject to alteration.
© Christian Bürkert GmbH & Co. KG

1309/0_EU-en_00895249